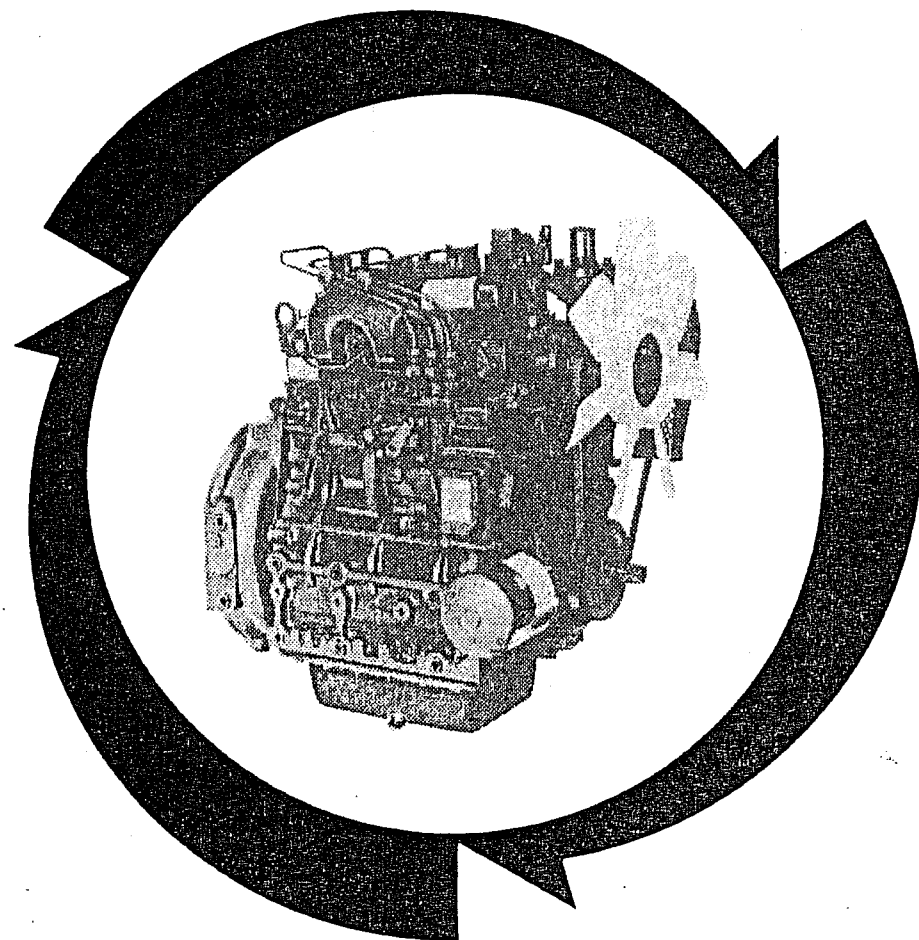


KUBOTA

DIESEL ENGINE
MOTEUR DIESEL
DIESEL MOTOREN



MODEL
MODELE
MODELL

**D1402-BB.
BBS-EC-1**

**PARTS LIST
LISTE DES PIÈCES
STÜCK LISTE**



KUBOTA, LTD.

NOV., 1988

CLICK HERE TO **DOWNLOAD** THE COMPLETE MANUAL

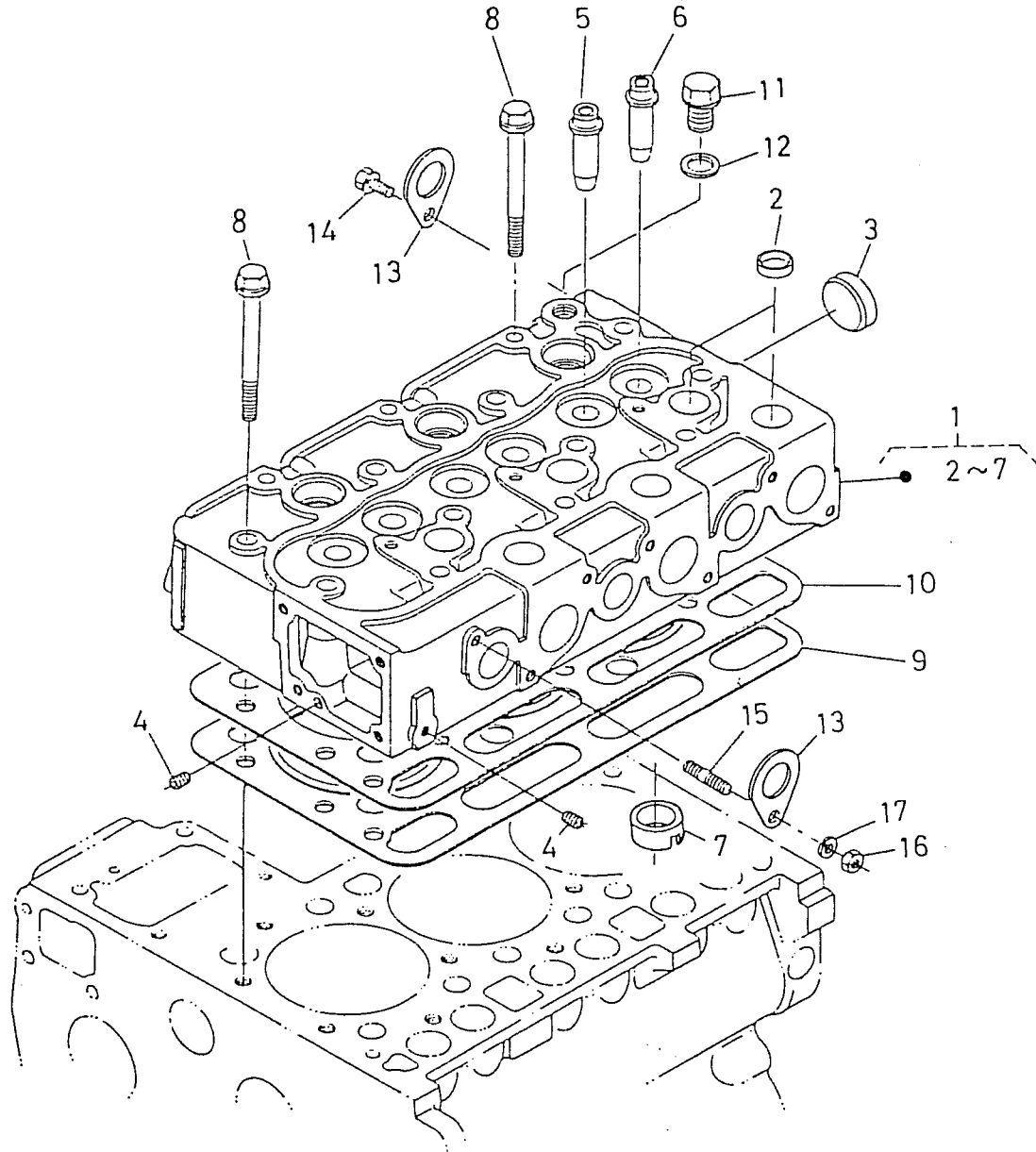
- Thank you very much for reading the preview of the manual.
- You can download the complete manual from: www.heydownloads.com by clicking the link below



- Please note: If there is no response to CLICKING the link, please download this PDF first and then click on it.

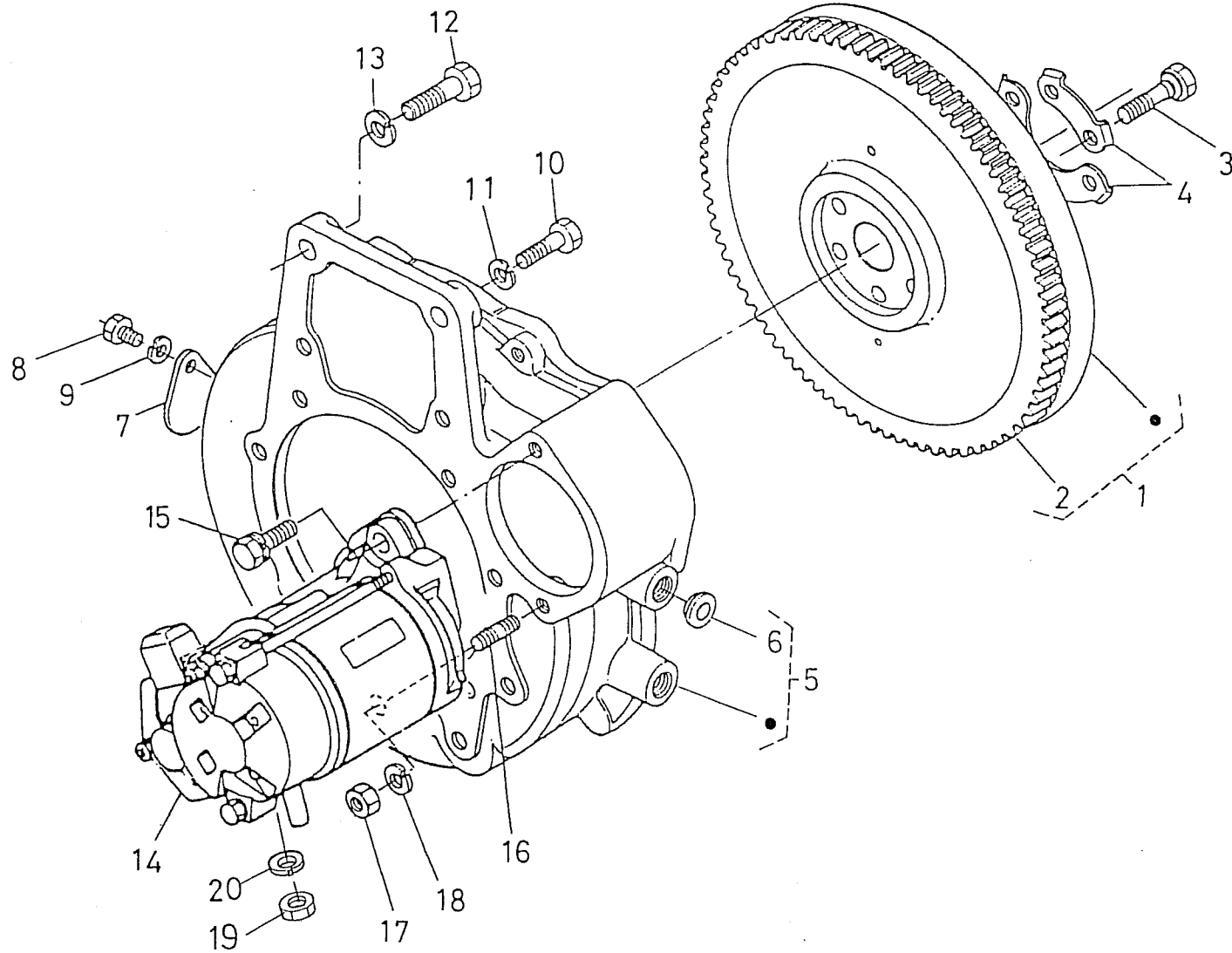
CLICK HERE TO **DOWNLOAD** THE COMPLETE MANUAL

3. CYLINDER HEAD
CULASSE
ZYLINDERKOPF



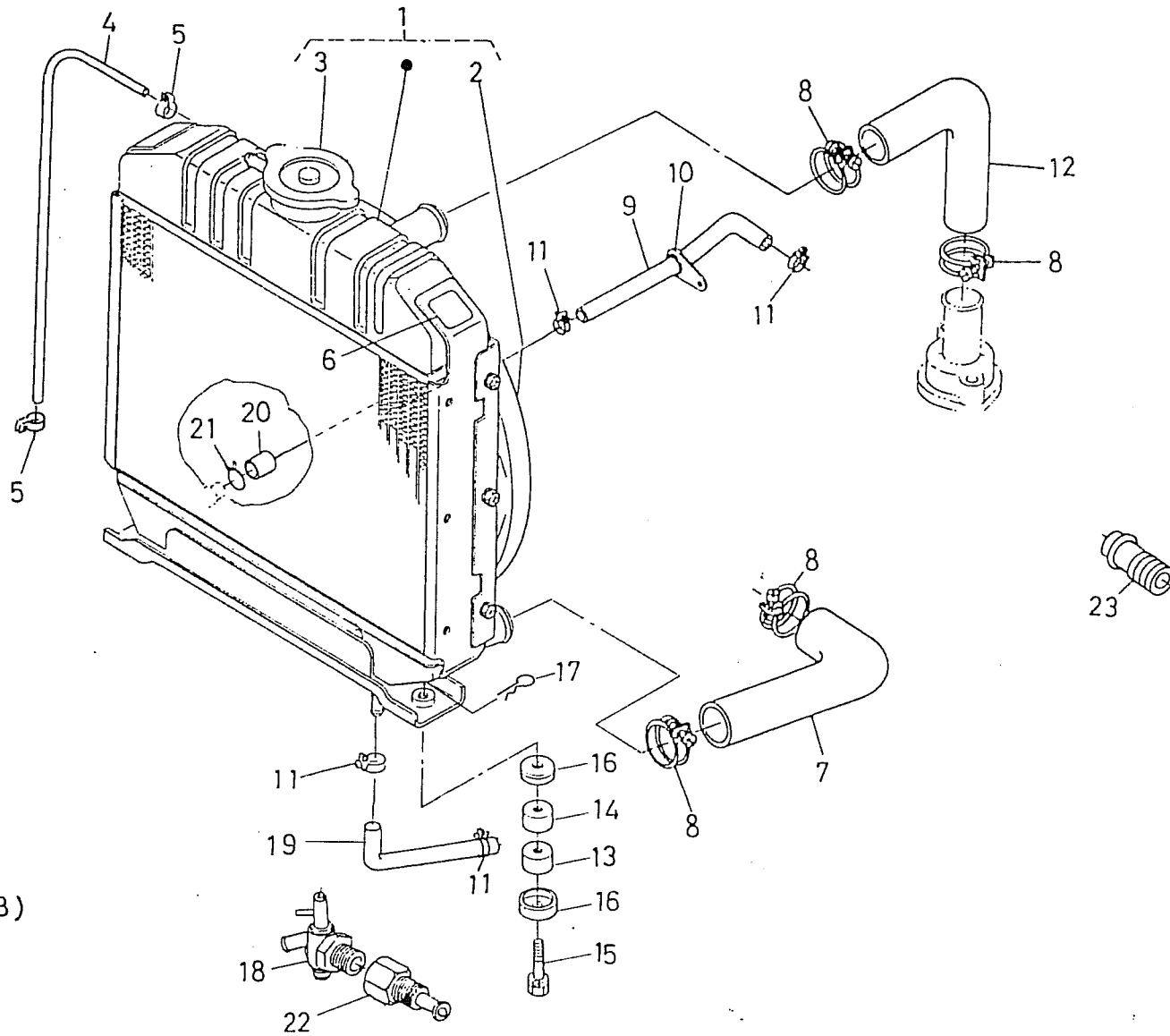
12.

FLYWHEEL
VOLANT MOTEUR
SCHWUNGRAD



23.

RADIATOR (ATTACHED PARTS)
 RADIATEUR (PIÈCES ATTACHÉES)
 KÜHLER (ANGESCHLOSSENE TEILE)



27

STARTER (SECTION PARTS)
 DEMARREUR (DEMONTAGE DE LA MACHINE)
 ANLASSER (ZERSETZUNG)

REF No. POS NR.	CODE No. No. DE CODE TEILE-NR.	DESCRIPTION : BENENNUNG			UNIT UNITE ANZAHL	INTERCHANGEABILITY ECHANGEABILITE AUSTAUSCHBARKEIT		REMARKS REMARQUES BEMERKUNG
		ENGLISH	FRANCAIS	DEUTSCH		REVISION No NUMERO DE REVISION REVISIOn-Nr	SERIAL No. NUMERO DE SERIE SERIEN Nr	
1	15461-6301-0	ASSY STARTER	ENS. DEMARREUR	GRP. ANLASSER	1			
2	15461-6308-0	ASSY YOKE	ENS. CHAPE	GRP. GABELGELENK	1			
3	15511-6307-0	ASSY ARMATURE	ENS. INDUIT	GRP. ARMATUR	1			
4	15511-6350-0	BEARING BALL 1	ROULEMENT A BILLES 1	KUGELLAGER 1	1			
5	15511-6353-0	BEARING BALL 2	ROULEMENT A BILLES 2	KUGELLAGER 2	1			
6	15461-6304-0	ASSY CLUTCH	ENS. EMBRAYAGE	GRP. KUPPLUNG	1			
7	17381-6328-0	PINION BEVEL	PIGNON CONIQUE	ANTRIEBSKEGELRAD	1			
8	15511-6303-0	FRAME DRIVE END	PALIER AVANT	ANTRIEBSRAHMEN	1			
9	15461-6399-0	PLUNGER	PLONGEUR	ELEMENT. PUMPE	1			
10	15461-6352-0	GASKET	JOINT	DICHTUNGSPLATTE	1			
11	15461-6351-0	COVER SOLENOID	CACHE ELECTROAIMANT	DECKEL SOLENOID	1			
12	15511-6320-0	FRAME END	SUPPORT DE PALIER	RAHMEN	1			
13	15511-6338-0	ASSY HOLDER BRUSH	ENS. SUPPORT	GRP. BUERSTENHALTER	1			
14	15401-6339-0	SPRING BRUSH	RESSORT DE BALAI	FEDER BUERSTE	4			
15	15511-6326-0	GEAR 1	ENGRENAGE 1	GETRIEBE 1	1			
16	15401-6327-0	GEAR 2	ENGRENAGE 2	GETRIEBE 2	1			
17	19212-6311-0	RETAINER	COLLIER	HALTESCHEIBE	1			
18	19212-6310-0	ROLLER	ROULEAU	ROLLE	5			
19	19212-9713-0	BALL	BILLE	KUGEL	1			
20	19212-6312-0	SPRING	RESSORT	FEDER	1			

CLICK HERE TO **DOWNLOAD** THE COMPLETE MANUAL

- Thank you very much for reading the preview of the manual.
- You can download the complete manual from: www.heydownloads.com by clicking the link below



- Please note: If there is no response to CLICKING the link, please download this PDF first and then click on it.

CLICK HERE TO **DOWNLOAD** THE COMPLETE MANUAL