

# Instructions for Parts Books

The heading at the top of the page will be the same for the picture of the parts at it is for the page with the part numbers.

Definition of column headings on part number pages:

**REF.No** → The number referring to the part on the picture page of the parts book.

**Part No.** → The number assigned to this part at the time of printing the parts book.

**Description** → Discription of part.

**Q'ty** → Quantity of part used on that page.

**S.No.** → Serial number range of the equipment that this part will fit.

>= Your serial number should be greater than or equal to the number shown.

<= Your serial number should be lesser than or equal to the serial number shown.

**I/C** → Interchangeability of part shown.

↔ The part shown will work for the older and later serial number.

# The part shown is not interchangeable with the other serial number.

← new for old

→ old for new

**Remarks** → Notes about this particulart part. Sometimes this may say except [FR] or [CA]

## Note about Country Codes:

The parts books we use in the United States of America may also contain information about a part that would be different in another country. It is important that you are aware of the country codes in some instances.

Symbol	Country
A	United States of America
CA	Canada
FR	France
GR	Greece
PO	Portugal
AU	Australia

If the remarks column says for example EXCEPT [FR] this part works in all countries except France. That means it will work here in the USA.

CLICK HERE TO **DOWNLOAD** THE COMPLETE MANUAL

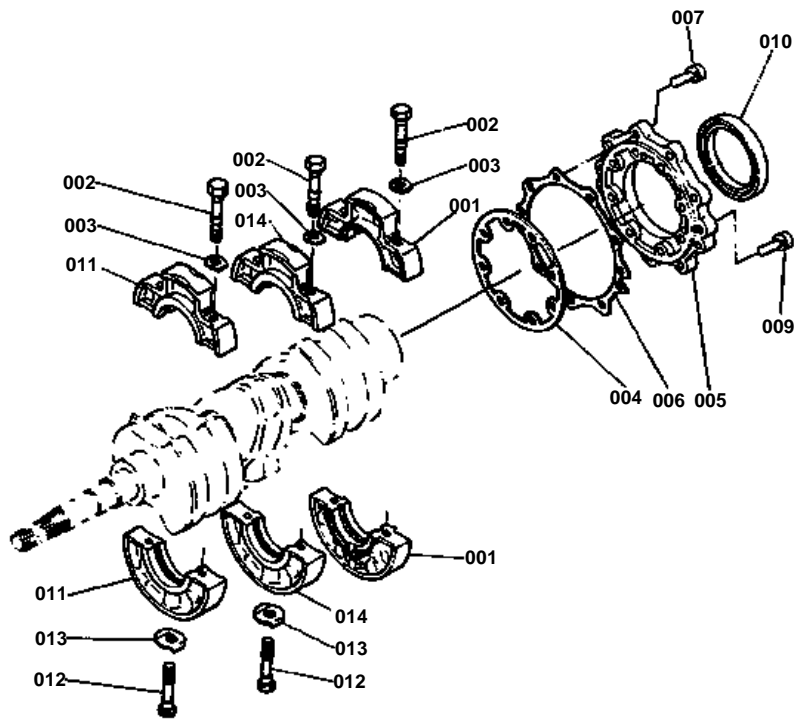
- Thank you very much for reading the preview of the manual.
- You can download the complete manual from: [www.heydownloads.com](http://www.heydownloads.com) by clicking the link below



- Please note: If there is no response to CLICKING the link, please download this PDF first and then click on it.

CLICK HERE TO **DOWNLOAD** THE COMPLETE MANUAL

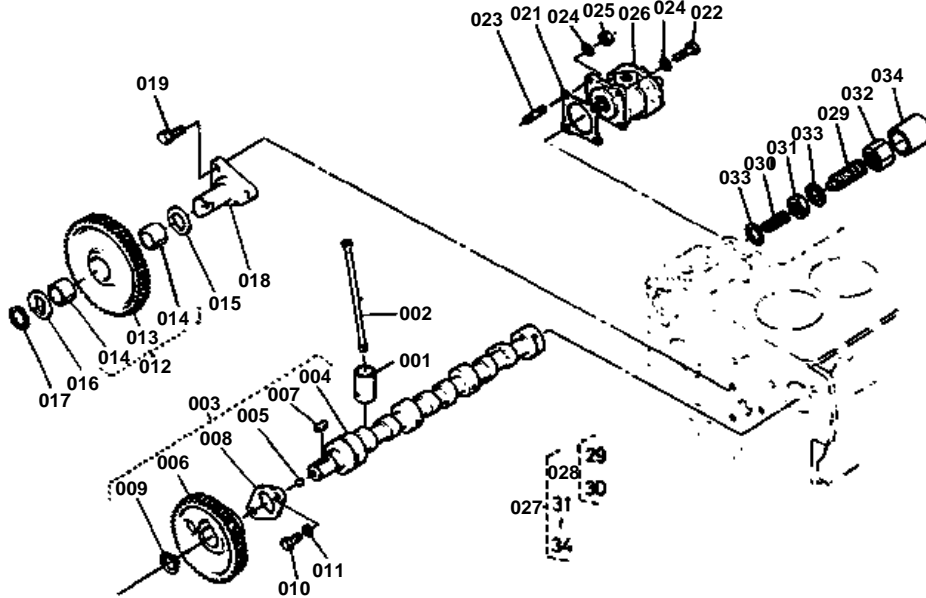
BEARING CASE GROUP



REF.No. 7 01053-50620  
8 04512-50060  
9 01053-50625



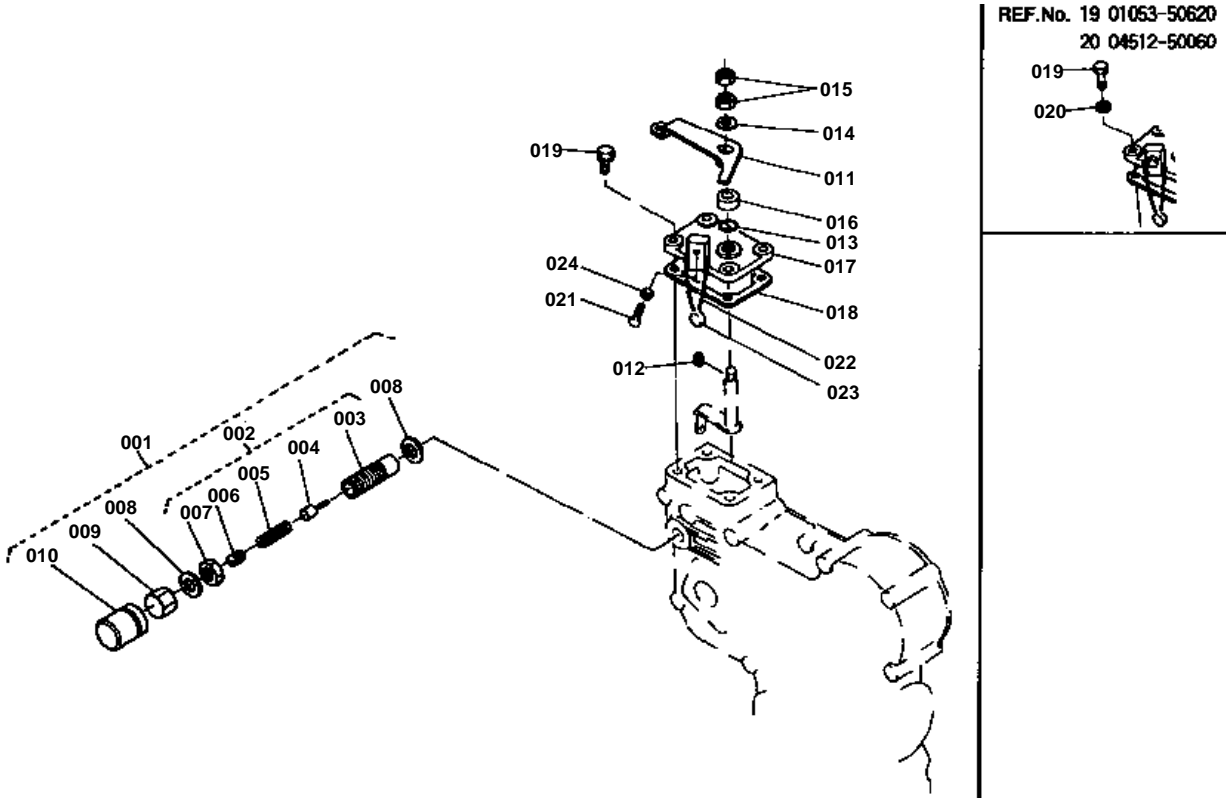
CAMSHAFT GROUP



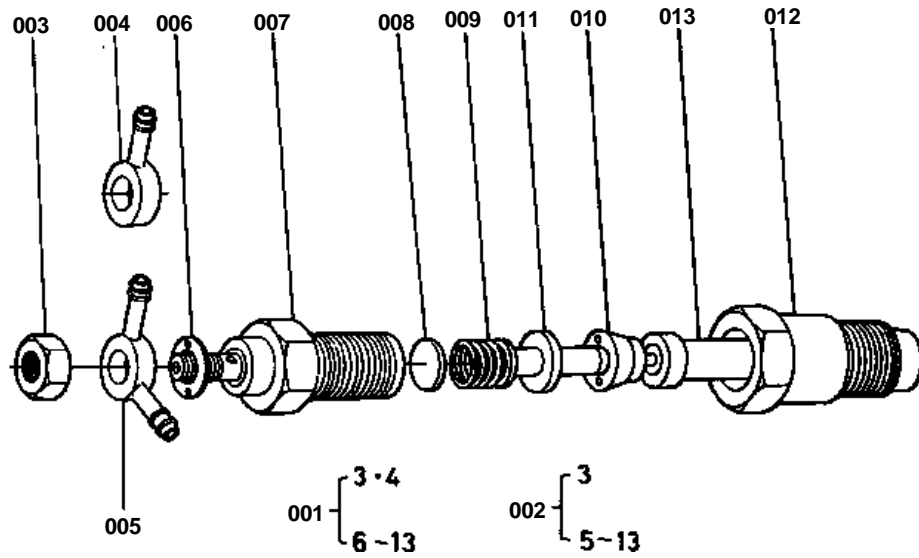
REF.No. 19 01053-50616  
20 04512-50060



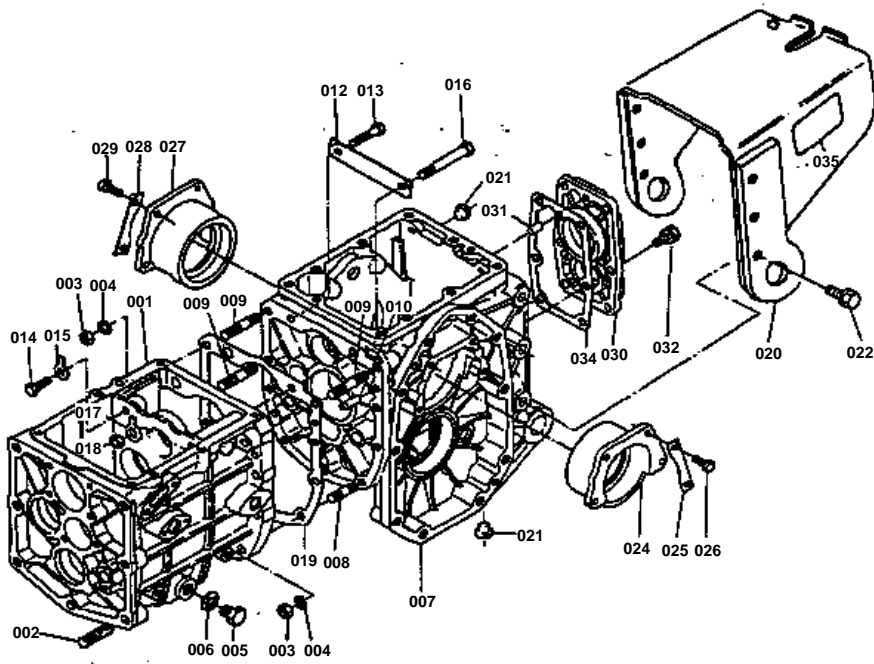
SPEED CONTROL PLATE GROUP



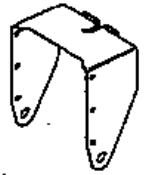
NOZZLE HOLDER GROUP



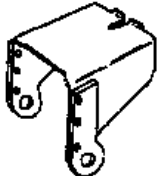
TRANSMISSION CASE GROUP



REF.No.20 66704-1121-0

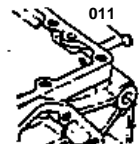


REF.No.20 66704-1121-3



REF.No.20 01153-51235  
Length 28→35mm

REF.No.11 06311-75012



CLICK HERE TO **DOWNLOAD** THE COMPLETE MANUAL

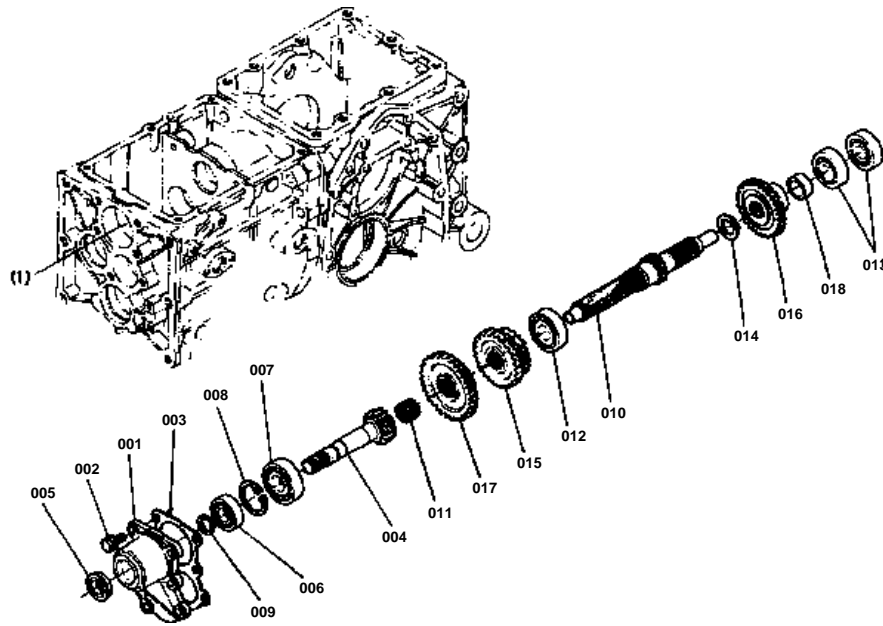
- Thank you very much for reading the preview of the manual.
- You can download the complete manual from: [www.heydownloads.com](http://www.heydownloads.com) by clicking the link below

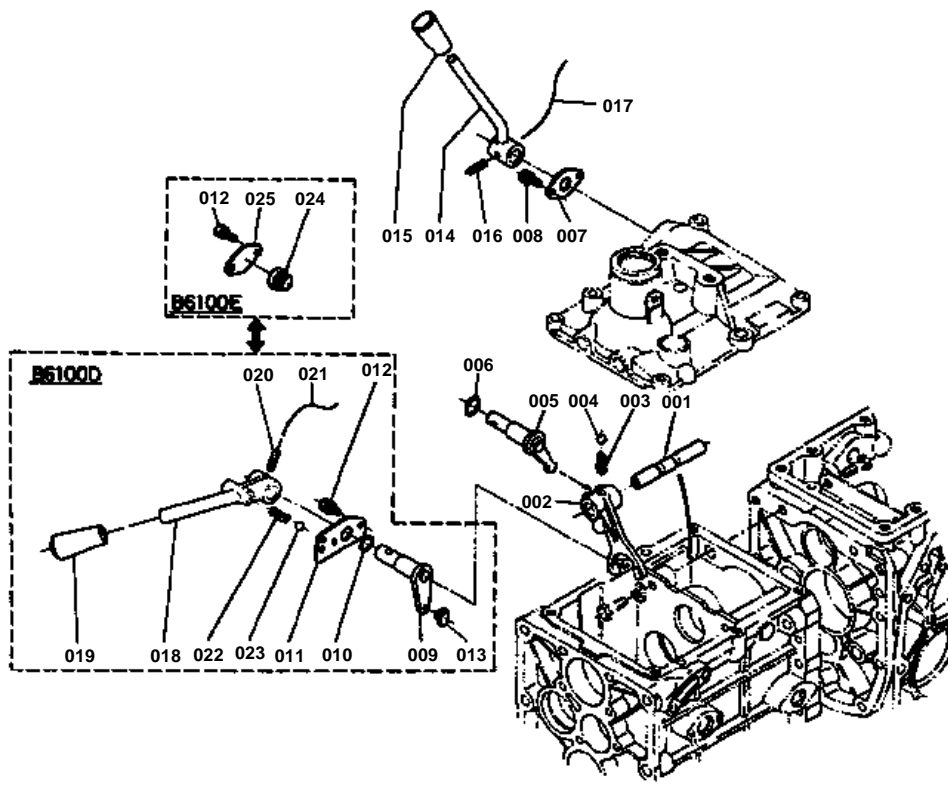


- Please note: If there is no response to CLICKING the link, please download this PDF first and then click on it.

CLICK HERE TO **DOWNLOAD** THE COMPLETE MANUAL

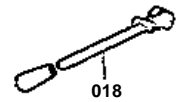
1ST SHAFT 4TH SHAFT GROUP

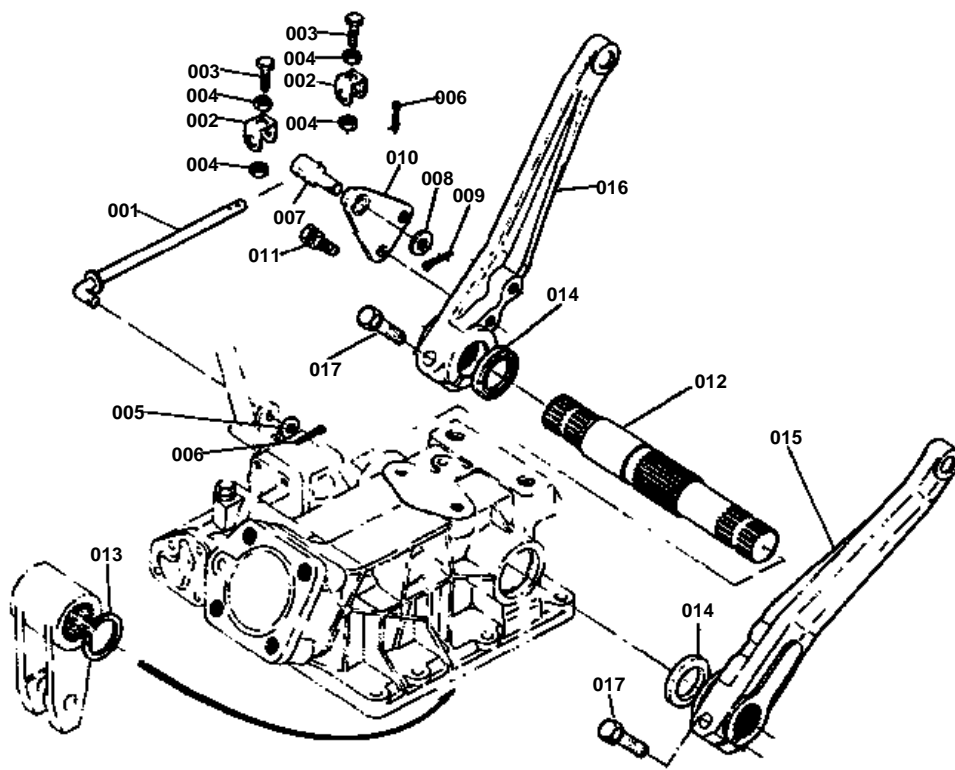




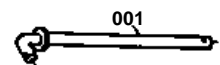
REF.No. 15 54201-2327-0  
19 54201-2327-0  
-Change of its colour.

REF.No. 18 66611-4261-0

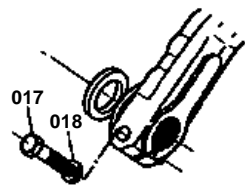




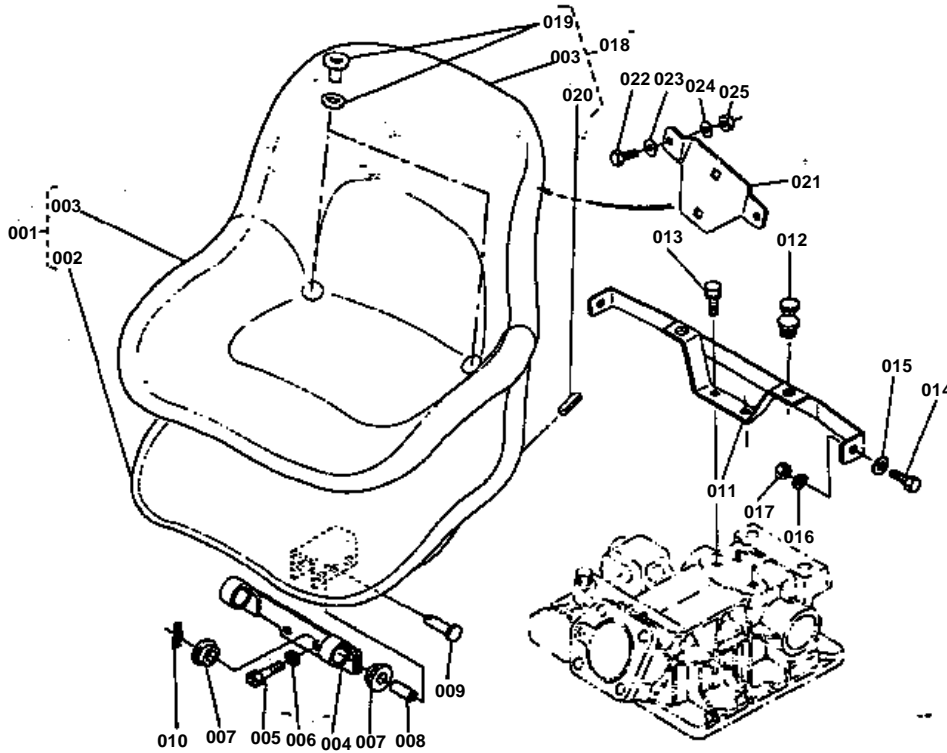
REF.No. 1 66611-3631-0



REF.No. 17 01153-51045  
18 04512-50100



# SEAT GROUP



REF.No. 3 | 66704-8311-0  
18 | 66704-8350-0  
19 | 35110-8505-0  
20 | 35110-8506-0  
Adopted Code No. for  
service parts.

**RADIATOR GROUP**

↔ Interchangeable; ≠ not interchangeable; ← new for old; → old for new

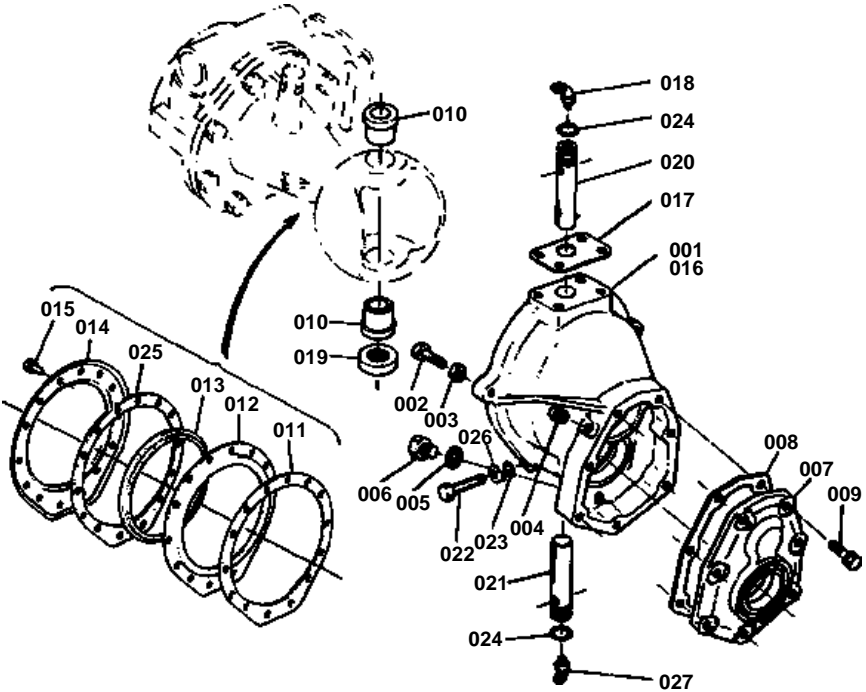
REF.No	Part No.	Description	Q'ty	S.No.	I/C	REMARKS	Weight (kgf)	Weight (lb)
001	15371-72060	ASSY RADIATOR	1			REF.No.002 TO 005	6	13.2
002	99999-99999	BLANK	0			ORDER BY REF.No.001	0	0
003	15371-74470	COVER FAN	1				0.4	0.88
004	15101-72030	CAP RADIATOR	1				0.075	0.165
005	15371-72710	PIPE WATER OVER FLOW	1				0.048	0.1056
005	15401-72710	PIPE WATER OVER FLOW	1	>=10001			0.032	0.0704
006	14301-73110	COCK DRAIN	1				0.094	0.2068
007	15371-72850	PIPE WATER 1	1				0.21	0.462
008	15371-72940	PIPE WATER 4	1				0.164	0.3608
009	15108-72870	BAND	4				0.027	0.0594
010	66711-51340	BOLT RADIATOR STOP.	2				0.032	0.0704
011	04013-50100	WASHER PLAIN	2				0	0
012	15111-72200	WASHER	4				0.013	0.0286
013	15111-72180	CUSHION	2				0.015	0.033
014	05515-51000	PIN SNAP	2				0	0
015	66711-51410	NET RADIATOR	1				0	0
016	04013-50060	WASHER PLAIN	2				0	0
017	04512-50060	WASHER SPRING	2				0	0
018	66621-55440	NUT WING	2				0.006	0.0132
019	15101-94610	LABEL RADIATOR	1	<=21330			0.002	0.0044
019	66706-58810	LABEL RADIATOR	1	>=10001			0.001	0.0022
020	15103-94590	LABEL	1	<=21330			0.001	0.0022
020	66706-58820	LABEL	1	>=10001			0.001	0.0022

**BATTERY GROUP**

↔ Interchangeable; ≠ not interchangeable; ← new for old; → old for new

REF.No	Part No.	Description	Q'ty	S.No.	I/C	REMARKS	Weight (kgf)	Weight (lb)
001	66704-55430	BATTERY	1				9.3	20.46
002	66591-54480	RETAINER BATTERY	1				0	0
002	66704-54482	RETAINER BATTERY	1	>=10001			0.14	0.308
003	66641-55430	COVER BATTERY	1				0.07	0.154
004	66591-54490	BOLT	2				0.048	0.1056
005	02014-50060	NUT	2				0.003	0.0066
006	04013-50060	WASHER PLAIN	2				0	0
007	04512-50060	WASHER SPRING	2				0	0
008	66591-54510	CUSHION BATTERY	2				0.02	0.044
009	66704-55450	CORD BATTERY	1				0	0
009	66709-55450	CORD BATTERY	1	>=10001			0.25	0.55
010	66704-55460	CORD BATTERY	1				0.165	0.363
011	14301-69290	BAND PIPE	1				0.001	0.0022
011	34350-29380	CLAP CORD	1	>=10001			0.001	0.0022
012	66571-55170	CAP TERMINAL	2				0	0
012	66704-55270	CAP TERMINAL	2	>=10001			0.015	0.033
012	66704-55270	CAP TERMINAL	1	>=10001			0.015	0.033
013	66591-55190	CAP TERMINAL	1				0.012	0.0264

FRONT WHEEL GEAR CASE GROUP



CLICK HERE TO **DOWNLOAD** THE COMPLETE MANUAL

- Thank you very much for reading the preview of the manual.
- You can download the complete manual from: [www.heydownloads.com](http://www.heydownloads.com) by clicking the link below



- Please note: If there is no response to CLICKING the link, please download this PDF first and then click on it.

CLICK HERE TO **DOWNLOAD** THE COMPLETE MANUAL