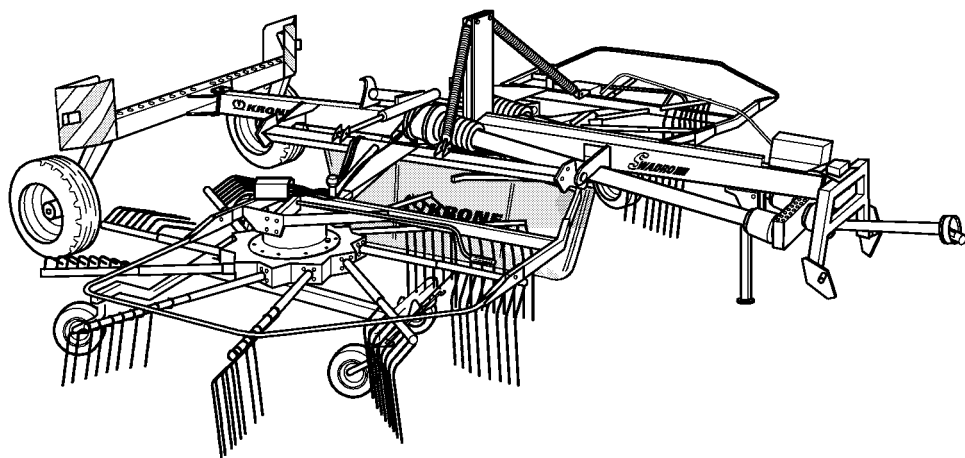




ERSATZTEILE

SPARE PARTS

PIÈCES DETACHEES



000 001 064 00 H - 11/06/2015

Swadro 881

ab Masch.-Nr.  
from mach.-no.  
à partir de mach.-no

503 000 - 544 800

/ 000 001 064 00 H /

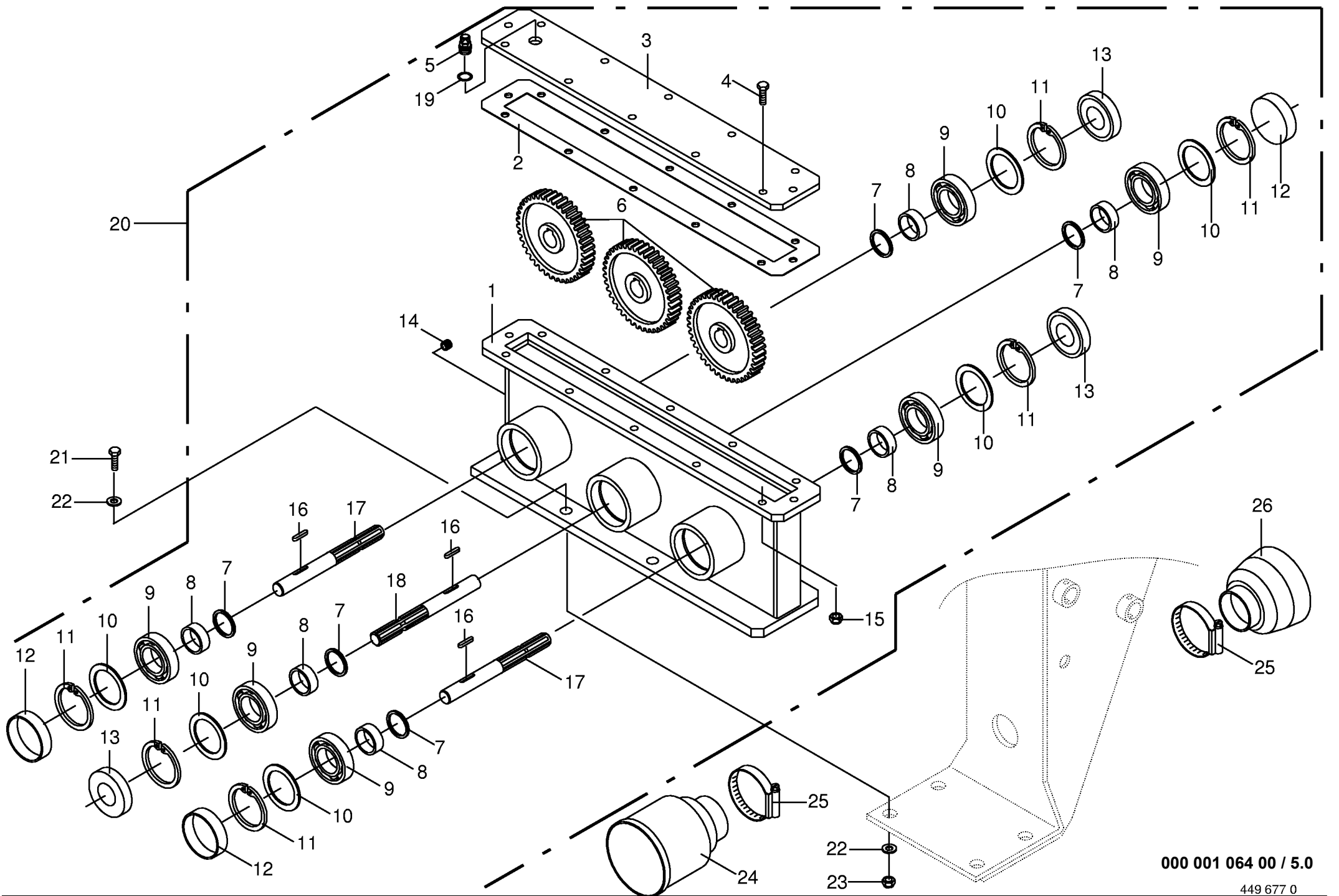
CLICK HERE TO **DOWNLOAD** THE COMPLETE MANUAL

- Thank you very much for reading the preview of the manual.
- You can download the complete manual from: [www.heydownloads.com](http://www.heydownloads.com) by clicking the link below



- Please note: If there is no response to CLICKING the link, please download this PDF first and then click on it.

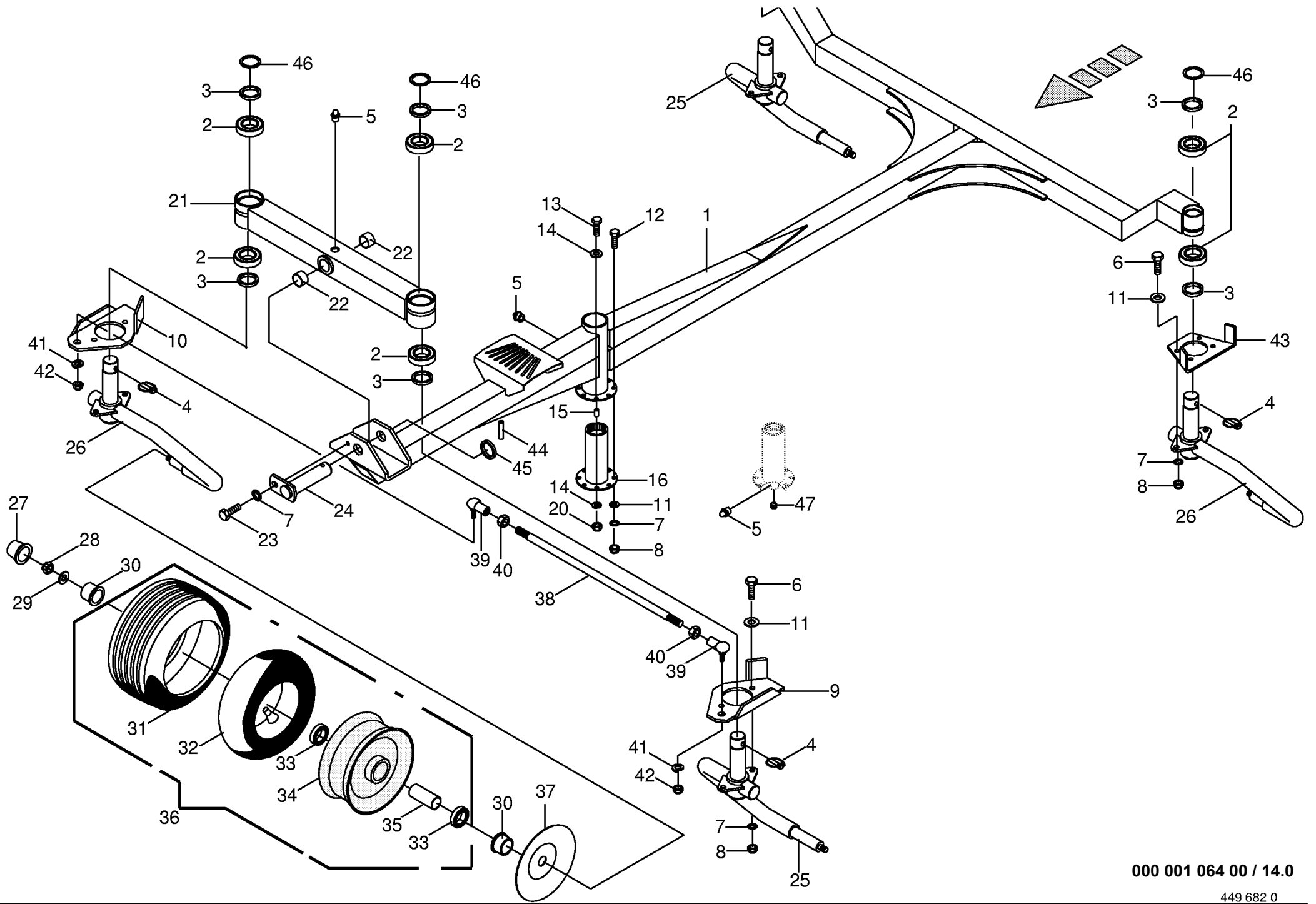
CLICK HERE TO **DOWNLOAD** THE COMPLETE MANUAL



000 001 064 00 / 5.0

449 677 0

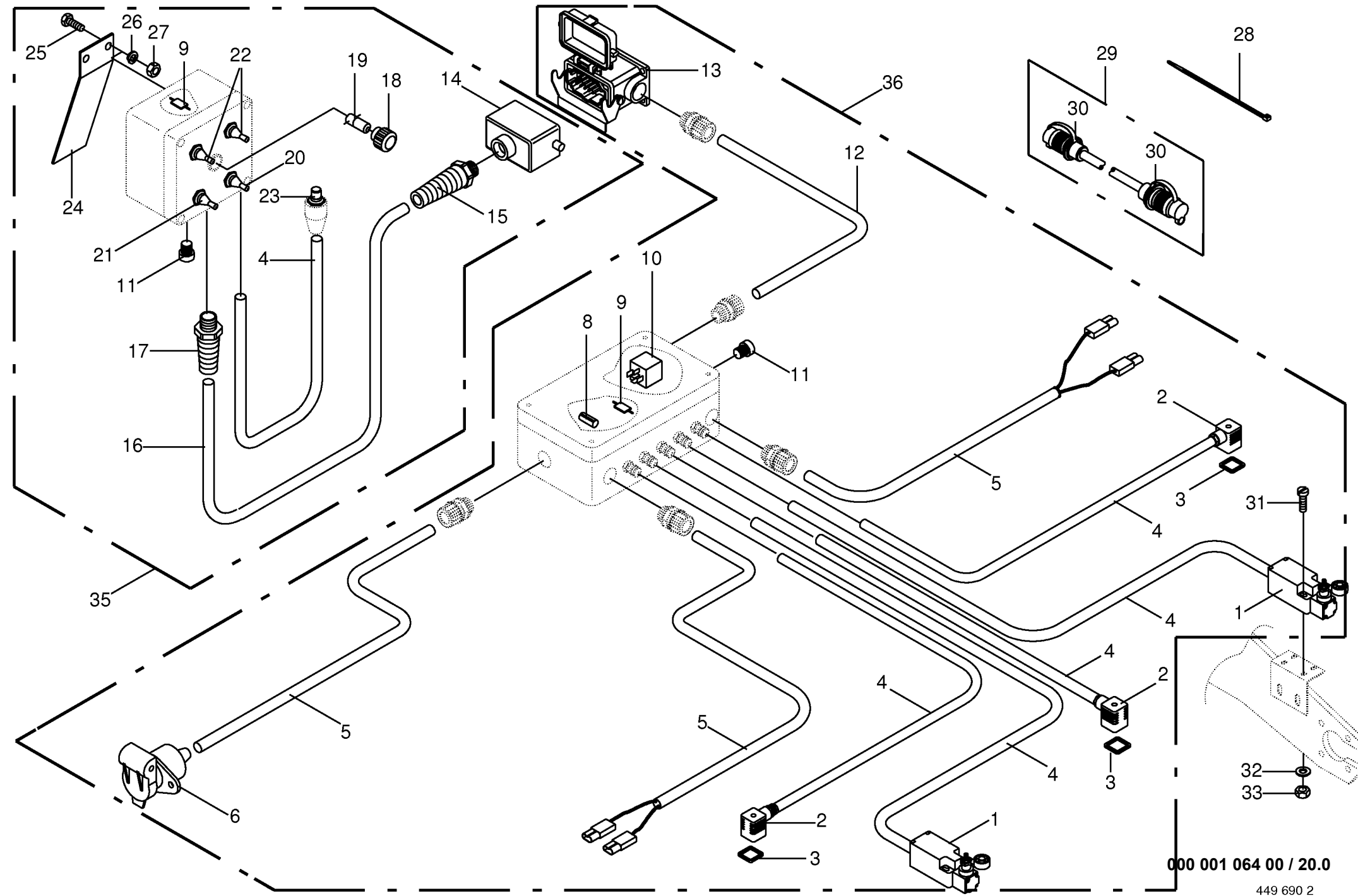
Getriebe-links Gearbox-left Carter-gauche						503000 - 544800	S W 8 8 1						000 001 064 00
Pos.	ID-Nr.	Benennung	Description	Description	Masch.-Nr-							449 649 1	8.0
												Bemerkung/Remarks/Remarque	
1	00 919 803 1	Belüftungsfilter	Breather	Reniflard		x						M 18 X 1,5	
2	00 937 727 0	Dichtring	Gasket ring	Bague d'étanchéité		x						A 18 X 24	
3	00 265 480 0	Getriebegehäuse	Gearbox housing	Carter du boîte de vitesses		x							
4	00 911 023 0	Passscheibe	Shim ring	Cale		x						70 X 80 X 0,3	
5	00 911 024 0	Passscheibe	Shim ring	Cale		x						70 X 80 X 1,0	
6	00 930 157 0	Rillenkugellager	Grooved ball bearing	Roulement à gorge		x						6014 2 RS	
7	00 265 361 0	Lagerflansch	Bearing flange	Bride de palier		x							
8	00 904 065 0	Senkschraube	Countersunk screw	Vis à tête fraisée		x						M 12 X 40 -10.9	
9	00 908 701 0	Sicherungsmutter	Locknut	Écrou hex		x						M 12	
10	00 911 166 0	Passscheibe	Shim ring	Cale		x						90 X 100 X 0,3	
11	00 911 168 0	Passscheibe	Shim ring	Cale		x						90 X 100 X 1	
12	00 930 323 0	Rillenkugellager	Grooved ball bearing	Roulement à gorge		x						6018 2 RS	
13	00 265 459 0	Dichtung	Gasket	Joint		x							
14	00 265 481 0	Getriebedeckel	Gearbox cover	Couvercle du boîte de vitesses		x							
15	00 909 909 1	Sperrkantscheibe	Detent edged washer	Disque à bord d'arrêt		x						SKM 10	
16	00 900 636 0	6kt-Schraube	Hex head bolt	Boulon tête hex		x						M 10 X 25	
17	00 937 566 0	O-Ring	O-ring	Joint torique		x						98 X 3	
18	00 265 482 0	Ritzelwellengehäuse	Pinion shaft housing	Logement pour pignon arbré		x							
19	00 935 106 0	Nadellager	Roller	Roulement à aiguilles		x						Hk 2020	
20	00 910 706 0	Stützscheibe	Supporting disc	Rondelle diélectrique		x						S 22 X 32 X 2,0	
21	00 909 910 1	Sperrkantscheibe	Detent edged washer	Disque à bord d'arrêt		x						SKM 12	
22	00 900 657 0	6kt-Schraube	Hex head bolt	Boulon tête hex		x						M 12 X 35	
23	00 931 122 0	Schräglagelager	Bearing	Roulement		x						3207 2RS	
24	00 911 132 0	Passscheibe	Shim ring	Cale		x						35 X 45 X 0,3	
25	00 911 133 0	Passscheibe	Shim ring	Cale		x						35 X 45 X 0,5	
26	00 911 134 0	Passscheibe	Shim ring	Cale		x						35 X 45 X 1,0	
27	00 911 541 0	Sicherungsring	Circlip	Circlip		x						A 35 X 1,5	
28	00 910 912 0	Passscheibe	Shim ring	Cale		x						56 X 72 X 0,3	
29	00 910 913 0	Passscheibe	Shim ring	Cale		x						56 X 72 X 0,5	
30	00 910 914 0	Passscheibe	Shim ring	Cale		x						56 X 72 X 1,0	
31	00 910 915 0	Passscheibe	Shim ring	Cale		x						56 X 72 X 2,0	
32	00 911 668 0	Sicherungsring	Circlip	Circlip		x						72 X 2,5	
33	00 936 337 0	Radial-Wellendichtring	Radial-shaft sealing ring	Radial-bague d'étanchéité		x						A 35 X 72 X 12	
34	00 265 842 0	Radsatz	Set of wheels	Jeu de roues		x						Z=9 / Z=79	
35	00 265 489 0	Getriebe -kpl.	Gearbox -cpl.	Boîte de vitesses -cpl.		x							
36	00 926 000 0	Getriebefliessfett -ld.-Nr.= 1kg	Semi-fluid gear lubricant -ld. -no.= 1kg	Graisse fluide pour boîtes de -ld.-no.= 1kg		x							



000 001 064 00 / 14.0

449 682 0

Hydraulik-Auslegearme Hydraulics-wing arm Système hydraulique-bras support						503000 - 519000	S W 8 8 1					000 001 064 00	
Pos.	ID-Nr.	Benennung	Description	Description	Masch.-Nr-							449 685 1	18.0
												Bemerkung/Remarks/Remarque	
1	00 921 145 0	Kupplungsstecker	Connector plug	Fiche de jonction		x						M 18 X 1,5	
2	00 921 171 1	Staubmuffe -rot	Dust cap -red	Manchon anti-poussiere -rouge		x							
3	00 921 030 1	Hochdruckschlauchleitung	High pressure hose line	Conduite de tuyau haute pression		x						Lg.= 1600	
4	00 921 046 1	Schneidring	Cutting ring	Baquet coupante		x						L 12	
5	00 921 206 0	Überwurfmutter	Nozzle disc cap	Écrou de buse-pastille		x						AL 12	
6	00 045 506 0	Hydraulikrohr -Id.-Nr.= 1m	Hydraulic pipe -Id.-no.= 1m	Tube hydraulique -Id.-no.= 1m		x						12 X 1,5	
7	00 921 071 1	T-Stutzen	T connector	Raccord T réglable		x						L 12	
8	00 921 067 1	Winkelstutzen	Angle lug	Jarret tubulure		x						M 18 X 1,5	
9	00 920 901 1	Einschraubstutzen	Male connector	Raccord filet		x						M 18 X 1,5	
10	00 919 746 0	2/2-Wege-Sitzventil	2/2-way seated valve	Clapet à siège 2/2 voies		x							
11	27 006 967 0	Nothandbetätigung	Emergency hand operation	Commande à main d'urgence		x							
12	00 919 738 0	2/2-Wege-Sitzventil	2/2-way seated valve	Clapet à siège 2/2 voies		x							
13	00 921 079 1	L-Stutzen	Adjustable L connection	Raccord L réglable		x						L 12	
14	00 921 083 1	Reduzier-Verschraubung	Reducer fitting	Réduction		x						M 18 X 1,5 / M 12 X 1,5	
15	00 921 025 2	Hochdruckschlauchleitung	High pressure hose line	Conduite de tuyau haute pression		x						Lg.= 1500	
16	00 921 059 2	Einschraubstutzen	Male connector	Raccord filet		x						M 10 X 1 / M 12 X 1,5	
17	00 901 061 2	6kt-Schraube	Hex head bolt	Boulon tête hex		x						M 10 X 45 -10.9	
18	00 918 458 0	Hydraulikzylinder	Hydraulic cylinder	Vérin hydraulique		x						Dz 35/40 X 500/670	
	00 918 702 0	Dichtungssatz	Sealing set	Jeu de joints		x						Dz 35/40	
19	00 908 525 1	6kt-Mutter -niedrige Form	Hex nut -low form	Écrou hex -forme basse		x						M 20	
20	00 265 412 0	Zylinderhalter	Cylinder support	Support de vérin		x							
21	00 143 482 1	Bolzen	Pin	Boulon		x						Rd. 20 X 85	
22	00 910 512 2	Scheibe	Washer	Rondelle		x						21 X 37 X 3	
23	00 912 615 2	Spannstift	Roll pin	Goupille de serrage		x						5 X 35	
24	00 921 077 1	T-Stutzen	T connector	Raccord T réglable		x						M 18 X 1,5	
25	00 921 258 1	Hochdruckschlauchleitung	High pressure hose line	Conduite de tuyau haute pression		x						Lg.= 670	
26	00 919 632 0	Magnetspule	Solenoid coil	Bobine d'electro-aimant		x						12 V	
27	00 919 641 0	Handnotverstellung Sterngriff -für	Manual emergency adjustment -	Réglage d'urgence manuel - pour		x							
28	00 919 631 0	Sitzventil	for seated valve	soupape a siege									
29	00 267 777 0	2/2-Wege-Sitzventil	2/2-way seated valve	Clapet à siège 2/2 voies		x							
30	00 919 105 0	Zylinderhalter	Cylinder support	Support de vérin		4							
31	00 935 344 0	Kegelschmiernippel	Grease nipple	Graisneur à cone		x						AM 8 X 1	
32	00 900 313 0	Kragenbuchse	Collar socket	Douille à col		x						30 X 34/45 X 25	
33	00 909 910 1	6kt-Schraube	Hex head bolt	Boulon tête hex		x						M 12 X 85	
34	00 909 910 1	Sperrkantscheibe	Detent edged washer	Disque à bord d'arrêt		x						SKM 12	
35	00 918 469 0	Hydraulikzylinder	Hydraulic cylinder	Vérin hydraulique		x						Zz 30/80 X 492/388	
	00 918 754 0	Dichtungssatz	Sealing set	Jeu de joints		x						Zz 30/80	
35	00 900 637 0	6kt-Schraube	Hex head bolt	Boulon tête hex		x						M 10 X 30	



000 001 064 00 / 20.0

449 690 2



**SWADRO 881**

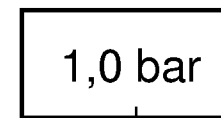
1

**KRONE**

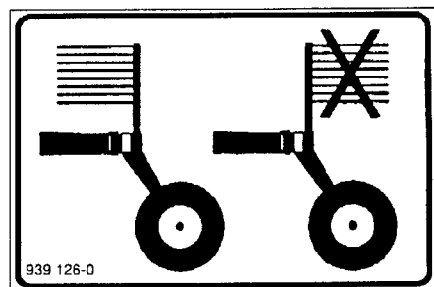
2



3



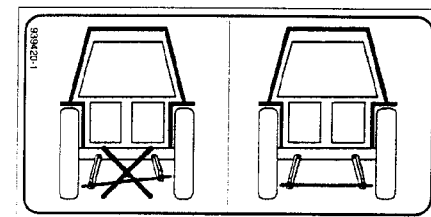
4



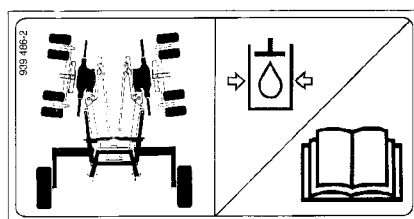
5



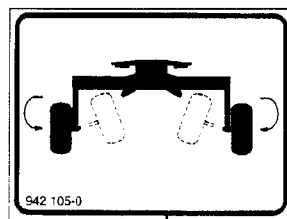
6



7



8



9

CLICK HERE TO **DOWNLOAD** THE COMPLETE MANUAL

- Thank you very much for reading the preview of the manual.
- You can download the complete manual from: [www.heydownloads.com](http://www.heydownloads.com) by clicking the link below



- Please note: If there is no response to CLICKING the link, please download this PDF first and then click on it.

CLICK HERE TO **DOWNLOAD** THE COMPLETE MANUAL