

CASCADE MAST (2-STAGE) (FOR C-SPEC)

CLICK HERE TO **DOWNLOAD** THE COMPLETE MANUAL

- Thank you very much for reading the preview of the manual.
- You can download the complete manual from: www.heydownloads.com by clicking the link below



- Please note: If there is no response to CLICKING the link, please download this PDF first and then click on it.

CLICK HERE TO **DOWNLOAD** THE COMPLETE MANUAL

Main Lift Cylinder-2600 PSI

55D/60D

Items that vary according to mast height.

Retracted Cahnnel Length (in.)	Retracted Cylinder Length (in.)	Cylinder Assembly Qty 1 REF.NO.1	Shell Qty 1	REF.NO.2 Plunger Qty 1	REF.NO.3 Spacer Qty 1
103	92.25	CC581297	CC5432-2335	CC5444-2276	CC561561
104	93.25	CC581300	CC5432-2360	CC5444-2301	CC561561
105	94.25	CC581303	CC5432-2386	CC5444-2327	CC561561
106	95.25	CC581306	CC5432-2411	CC5444-2352	CC561561
107	96.25	CC581309	CC5432-2437	CC5444-2378	CC561561
109	98.25	CC581316	CC5432-2514	CC5444-2429	CC561562
110	99.25	CC581319	CC5432-2539	CC5444-2454	CC561562
111	100.25	CC581322	CC5432-2565	CC5444-2480	CC561562
112	101.25	CC581313	CC5432-2590	CC5444-2505	CC561562
113	102.25	CC581327	CC5432-2616	CC5444-2531	CC561562
114	103.25	CC581330	CC5432-2641	CC5444-2556	CC561562
116	105.25	CC581336	CC5432-2716	CC5444-2606	CC561563
117	106.25	CC581339	CC5432-2742	CC5444-2632	CC561563
118	107.25	CC581342	CC5432-2767	CC5444-2657	CC561563
119	108.25	CC581345	CC5432-2793	CC5444-2683	CC561563
120	109.25	CC581348	CC5432-2818	CC5444-2708	CC561563
121	110.25	CC581351	CC5432-2843	CC5444-2733	CC561563
123	112.25	CC581357	CC5432-2921	CC5444-2785	CC561564
124	113.25	CC581360	CC5432-2946	CC5444-2810	CC561564
125	114.25	CC581361	CC5432-2972	CC5444-2836	CC561564
126	115.25	CC581362	CC5432-2997	CC5444-2861	CC561564
127	116.25	CC581363	CC5432-3022	CC5444-2886	CC561564
128	117.25	CC581364	CC5432-3048	CC5444-2912	CC561564
130	119.25	CC581367	CC5432-3123	CC5444-2962	CC561565
131	120.25	CC581368	CC5432-3149	CC5444-2988	CC561565
132	121.25	CC581369	CC5432-3174	CC5444-3013	CC561565
133	122.25	CC581370	CC5432-3199	CC5444-3038	CC561565
134	123.25	CC581371	CC5432-3225	CC5444-3064	CC561565
135	124.25	CC581372	CC5432-3250	CC5444-3089	CC561565

Common Items.

REF	QTY	PART NO	DESCRIPTION	REF	QTY	PART NO	DESCRIPTION
4	1	CC558522	★Plunger Wiper	13	1	CC4850	Capscrew, 164x1/4N
5	1	CC558522	Retainer	14	1	CC559906	Pull-In wire -GR
6	1	CC560022	★Plunger Seal	15	1	CC560462	Piston
7	1	CC559859	★Back-Up Ring	16	1	CC560066	★Back-Up Ring
8	1	CC559858	★O-Ring	17	1	CC559851	★Piston Seal
9	1	CC560467	Piston-Lowering Fuse	18	1	CC559864	★Wear Ring
10	1	CC560824	Spring	19	1	CC684036	■ Fitting, 8-10
11	2	CC560465	Spring Guide	20	1	CC559924	■ Fitting, 8-10
12	2	CC622729	★Seal				

■ Not included in Cylinder Assembly.
★ Included in Service Kit 560351

Inner Upright

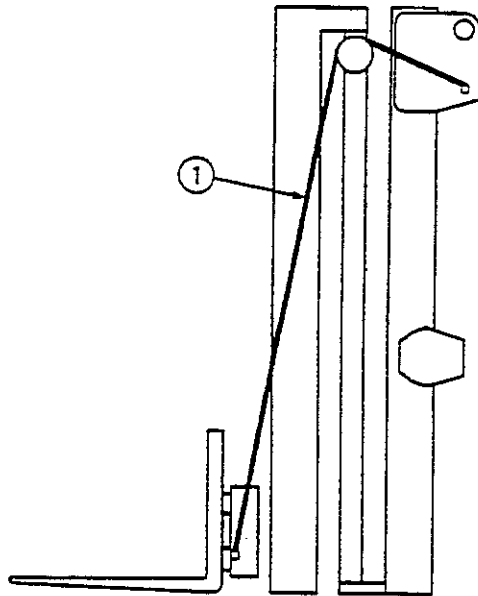
55D/60D

REF	QTY	PART NO	DESCRIPTION
1	1	CC684143	Inner Upright - 56 in. ★
1	1	CC683672	Inner Upright - 57 in. ★
1	1	CC683673	Inner Upright - 58 in. ★
1	1	CC683674	Inner Upright - 59 in. ★
1	1	CC683675	Inner Upright - 60 in. ★
1	1	CC683676	Inner Upright - 61 in. ★
1	1	CC683677	Inner Upright - 62 in. ★
1	1	CC683678	Inner Upright - 63 in. ★
1	1	CC683679	Inner Upright - 64 in. ★
1	1	CC683680	Inner Upright - 65 in. ★
1	1	CC683681	Inner Upright - 66 in. ★
1	1	CC683682	Inner Upright - 67 in. ★
1	1	CC683683	Inner Upright - 68 in. ★
1	1	CC683684	Inner Upright - 69 in. ★
1	1	CC683685	Inner Upright - 70 in. ★
1	1	CC683686	Inner Upright - 71 in. ★
1	1	CC683687	Inner Upright - 72 in. ★
1	1	CC683688	Inner Upright - 73 in. ★
1	1	CC683689	Inner Upright - 74 in. ★
1	1	CC683690	Inner Upright - 75 in. ★
1	1	CC683691	Inner Upright - 76 in. ★
1	1	CC683692	Inner Upright - 77 in. ★
1	1	CC683693	Inner Upright - 78 in. ★
1	1	CC683694	Inner Upright - 79 in. ★
1	1	CC683695	Inner Upright - 80 in. ★
1	1	CC683696	Inner Upright - 81 in. ★
1	1	CC683697	Inner Upright - 82 in. ★
1	1	CC683698	Inner Upright - 83 in. ★
1	1	CC683699	Inner Upright - 84 in. ★
1	1	CC683700	Inner Upright - 85 in. ★
1	1	CC683701	Inner Upright - 86 in. ★
1	1	CC683702	Inner Upright - 87 in. ★
1	1	CC683703	Inner Upright - 88 in. ★
1	1	CC683704	Inner Upright - 89 in. ★
1	1	CC683705	Inner Upright - 90 in. ★
1	1	CC683706	Inner Upright - 91 in. ★
1	1	CC683707	Inner Upright - 92 in. ★
1	1	CC683708	Inner Upright - 93 in. ★
1	1	CC683709	Inner Upright - 94 in. ★
1	1	CC683710	Inner Upright - 95 in. ★
1	1	CC683711	Inner Upright - 96 in. ★
1	1	CC683712	Inner Upright - 96 in. ★
1	1	CC683713	Inner Upright - 98 in. ★
1	1	CC683714	Inner Upright - 99 in. ★
1	1	CC683715	Inner Upright - 100 in. ★
1	1	CC683716	Inner Upright - 101 in. ★
2	2	CC683820	Capscrew, M10×1.5×16-8.8
3	2	CC683826	Lockwasher, M10
4	2	CC683802	Pin Assembly
5	2	CC660051	Chain Sheave
6	■	CC631881	Shim
7	4	CC660050	Roller

★ Retracted channel length.

■ Quantity as required.

Fig. 7017 Hoist Chains



55D

Overall Retracted Channel Length in.	Qty.	Ref.No.1	
		Hoist Chains	Chain Length in.(mm)
103	2	CC6883788	96.75(2457)
104	2	CC6883788	96.75(2457)
105	2	CC688136	98.25(2496)
106	2	CC688137	99.75(2543)
107	2	CC688137	99.75(2543)
109	2	CC688139	102.75(2610)
110	2	CC688139	102.75(2610)
111	2	CC688140	104.25(2648)
112	2	CC688141	105.75(2686)
113	2	CC688141	105.75(2686)
114	2	CC688142	107.25(2724)
116	2	CC688143	108.75(2762)
117	2	CC688144	110.25(2800)
118	2	CC688145	111.75(2838)
119	2	CC688145	111.75(2838)
120	2	CC688146	113.25(2877)
121	2	CC688147	114.75(2915)
123	2	CC688148	116.25(2953)
124	2	CC688148	117.75(2991)
125	2	CC688148	117.75(2991)
126	2	CC688149	119.25(3029)
127	2	CC688150	120.75(3067)
128	2	CC688150	120.75(3067)
130	2	CC688152	123.75(3143)
131	2	CC688152	123.75(3143)
132	2	CC688153	125.25(3181)
133	2	CC688154	126.75(3219)
134	2	CC688154	126.75(3219)
135	2	CC688155	128.25(3258)

Serial Number Index

Product I.D. No.	Overall Outer Channel Length	Main Lift & Free Lift Cylinder Page	Internal Hose Reaving Page	Outer Upright Page	Inter-mediate Upright Page	Inner Upright Page	Carriage Page	Hoist Chain Page	Load Backrest Page
55D-MT-130	90 in	1,5	9	11	13	15	18	24	28
55D-MT-131	83 in	1,5	9	11	13	15	17	24	28
55D-MT-132	84 in	1,5	9	11	13	15	17	24	28
55D-MT-133	92 in	1,5	9	11	13	15	17	24	28
55D-MT-134	73 in	1,5	9	11	13	15	17	24	28
55D-MT-135	80 in	1,5	9	11	13	15	18	24	28
55D-MT-136	80 in	1,5	9	11	13	15	18	24	28
55D-MT-137	80 in	1,5	9	11	13	15	18	24	28
55D-MT-138	80 in	1,5	9	11	13	15	18	24	28
55D-MT-139	67 in	1,5	9	11	13	15	18	24	28
55D-MT-140	68 in	1,5	9	11	13	15	18	24	28
55D-MT-141	80 in	1,5	9	11	13	15	17	24	28
55D-MT-142	69 in	1,5	9	11	13	15	18	24	28
55D-MT-143	66 in	1,5	9	11	13	15	18	24	28
55D-MT-144	83 in	1,5	9	11	13	15	18	24	28
55D-MT-145	80 in	1,5	9	11	13	15	17	24	28
55D-MT-146	79 in	1,5	9	11	13	15	18	24	28
55D-MT-147	74 in	1,5	9	11	13	15	17	24	28
55D-MT-148	84 in	1,5	9	11	13	15	17	24	28
55D-MT-149	78 in	1,5	9	11	13	15	18	24	28
55D-MT-150	80 in	1,5	9	11	13	15	18	24	28
55D-MT-151	69 in	1,5	9	11	13	15	18	24	28
55D-MT-152	69 in	1,5	9	11	13	15	18	24	28
55D-MT-153	78 in	1,5	9	11	13	15	17	24	28
55D-MT-154	80 in	1,5	9	11	13	15	17	24	28
55D-MT-155	79 in	1,5	9	11	13	15	18	24	28
55D-MT-156	92 in	1,5	9	11	13	15	17	24	28
55D-MT-157	74 in	1,5	9	11	13	15	18	24	28
55D-MT-158	74 in	1,5	9	11	13	15	18	24	28
55D-MT-159	84 in	1,5	9	11	13	15	17	24	28
55D-MT-160	86 in	1,5	9	11	13	15	17	24	28
55D-MT-161	89 in	1,5	9	11	13	15	17	24	28
55D-MT-162	80 in	1,5	9	11	13	15	17	24	28
55D-MT-163	83 in	1,5	9	11	13	15	17	24	28
55D-MT-164	101 in	1,5	9	11	13	15	17	24	28
55D-MT-165	87 in	1,5	9	11	13	15	17	24	28
55D-MT-166	80 in	1,5	9	11	13	15	18	24	28
55D-MT-167	80 in	1,5	9	11	13	15	18	24	28
55D-MT-168	73 in	1,5	9	11	13	15	18	24	28
55D-MT-169	74 in	1,5	9	11	13	15	18	24	28
55D-MT-170	78 in	1,5	9	11	13	15	18	24	28
55D-MT-171	81 in	1,5	9	11	13	15	18	24	28
55D-MT-174	92 in	1,5	9	11	13	15	18	24	28
55D-MT-177	75 in	1,5	9	11	13	15	18	24	28
55D-MT-178	76 in	1,5	9	11	13	15	18	24	28
55D-MT-179	76 in	1,5	9	11	13	15	18	24	28
55D-MT-180	75 in	1,5	9	11	13	15	18	24	28
55D-MT-181	75 in	1,5	9	11	13	15	18	24	28
55D-MT-182	76 in	1,5	9	11	13	15	18	24	28
55D-MT-183	57 in	1,5	9	11	13	15	17	24	28
55D-MT-184	74 in	1,5	9	11	13	15	18	24	28
55D-MT-185	80 in	1,5	9	11	13	15	18	24	28
55D-MT-187	88 in	1,5	9	11	13	15	18	24	28
55D-MT-188	88 in	1,5	9	11	13	15	17	24	28
55D-MT-189	92 in	1,5	9	11	13	15	18	24	28
55D-MT-190	92 in	1,5	9	11	13	15	18	24	28
55D-MT-191	80 in	1,5	9	11	13	15	18	24	28
55D-MT-193	87 in	1,5	9	11	13	15	17	24	28
55D-MT-194	86 in	1,5	9	11	13	15	17	24	28
55D-MT-195	68 in	1,5	9	11	13	15	17	24	28
55D-MT-196	101 in	1,5	9	11	13	15	18	24	28
55D-MT-197	92 in	1,5	9	11	13	15	17	24	28

Main Lift Cylinder-2600 PSI

55D

Items that vary according to mast height.

Retracted Channel Length (In.)	Retracted Cylinder Length (In.)	Cylinder Assembly Qty 1	REF.NO.1 Shell Qty 1	REF.NO.2 Plunger Qty 1
56	43.0	CC581837	CC5432-1059	CC5444-1025
57	44.0	CC580689	CC5432-1085	CC5444-1051
58	45.0	CC580691	CC5432-1110	CC5444-1076
59	46.0	CC580693	CC5432-1136	CC5444-1102
60	47.0	CC580696	CC5432-1161	CC5444-1127
61	48.0	CC580699	CC5432-1186	CC5444-1152
62	49.0	CC580702	CC5432-1212	CC5444-1178
63	50.0	CC580705	CC5432-1237	CC5444-1203
64	51.0	CC580708	CC5432-1263	CC5444-1229
65	52.0	CC580711	CC5432-1288	CC5444-1254
66	53.0	CC580714	CC5432-1313	CC5444-1279
67	54.0	CC580717	CC5432-1339	CC5444-1305
68	55.0	CC580720	CC5432-1364	CC5444-1330
69	56.0	CC580723	CC5432-1390	CC5444-1356
70	57.0	CC580726	CC5432-1415	CC5444-1381
71	58.0	CC580729	CC5432-1440	CC5444-1406
72	59.0	CC580732	CC5432-1466	CC5444-1432
73	60.0	CC580735	CC5432-1491	CC5444-1457
74	61.0	CC580738	CC5432-1517	CC5444-1483
75	62.0	CC580741	CC5432-1542	CC5444-1508
76	63.0	CC580744	CC5432-1567	CC5444-1533
77	64.0	CC580747	CC5432-1593	CC5444-1559
78	65.0	CC580750	CC5432-1618	CC5444-1584
79	66.0	CC580753	CC5432-1644	CC5444-1610
80	67.0	CC580756	CC5432-1669	CC5444-1635
81	68.0	CC580760	CC5432-1694	CC5444-1660
82	69.0	CC580763	CC5432-1720	CC5444-1686
83	70.0	CC580764	CC5432-1720	CC5444-1711
84	71.0	CC580768	CC5432-1745	CC5444-1737
85	72.0	CC580771	CC5432-1771	CC5444-1762
86	73.0	CC580772	CC5432-1771	CC5444-1787
87	74.0	CC580776	CC5432-1796	CC5444-1813
88	75.0	CC580779	CC5432-1821	CC5444-1838
89	76.0	CC580780	CC5432-1821	CC5444-1864
90	77.0	CC580784	CC5432-1847	CC5444-1889
91	78.0	CC580789	CC5432-1872	CC5444-1914
92	79.0	CC580791	CC5432-1872	CC5444-1940
93	80.0	CC580794	CC5432-1898	CC5444-1965
94	81.0	CC580797	CC5432-1923	CC5444-1991
95	82.0	CC580800	CC5432-1923	CC5444-2016
96	83.0	CC580803	CC5432-1948	CC5444-2041
97	84.0	CC580806	CC5432-1948	CC5444-2067
98	85.0	CC580809	CC5432-1974	CC5444-2092
99	86.0	CC580812	CC5432-1974	CC5444-2118
100	87.0	CC580815	CC5432-1999	CC5444-2143
101	88.0	CC580818	CC5432-1999	CC5444-2168

Common Items.

REF	QTY	PART NO	DESCRIPTION	REF	QTY	PART NO	DESCRIPTION
3	1	CC3129	★Snap Ring	12	1	CC622729	★Seal
4	1	CC559863	★Plunger Wiper	13	1	CC4850	Cap screw, 164x1/4NC-GR
5	1	CC558522	Retainer	14	1	CC559906	Pull-In wire
6	1	CC560022	★Plunger Seal	15	1	CC560462	Piston
7	1	CC559859	★Back-Up Ring	16	1	CC560066	★Back-Up Ring
8	1	CC559858	★O-Ring	17	1	CC559851	★Piston Seal
9	1	CC562427	Piston-Lowering Fuse	18	1	CC559864	★Wear Ring
10	1	CC562425	Spring	19	1	CC684036	■Fitting, 8-10
11	1	CC562426	Spring Guide				

■ Not included in Cylinder Assembly.

★ Included in Service Kit 560351.

Free Lift Cylinder-2600 PSI

Items that vary according to mast height. **60D**

Retracted Cahnnel Length (In.)	Retracted Cylinder Length (In.)	Cylinder Assembly Qty 1	REF.NO.1 Shell Qty 1	REF.NO.2 Plunger Qty 1
56	28.1	CC581901	CC5434-654	CC5445-674
57	28.6	CC580595	CC5434-666	CC5445-686
58	29.1	CC580597	CC5434-679	CC5445-699
59	29.6	CC580599	CC5434-692	CC5445-712
60	30.1	CC580601	CC5434-704	CC5445-725
61	30.6	CC580603	CC5434-717	CC5445-737
62	31.1	CC580605	CC5434-730	CC5445-750
63	31.6	CC580607	CC5434-743	CC5445-763
64	32.1	CC580609	CC5434-755	CC5445-775
65	32.6	CC580611	CC5434-768	CC5445-788
66	33.1	CC580613	CC5434-781	CC5445-801
67	33.6	CC580615	CC5434-793	CC5445-813
68	34.1	CC580617	CC5434-806	CC5445-826
69	34.6	CC580619	CC5434-819	CC5445-839
70	35.1	CC580621	CC5434-831	CC5445-852
71	35.6	CC580623	CC5434-844	CC5445-864
72	36.1	CC580625	CC5434-857	CC5445-877
73	36.6	CC580627	CC5434-870	CC5445-890
74	37.1	CC580629	CC5434-882	CC5445-902
75	37.6	CC580631	CC5434-895	CC5445-915
76	38.1	CC580633	CC5434-908	CC5445-928
77	38.6	CC580635	CC5434-920	CC5445-940
78	39.1	CC580637	CC5434-933	CC5445-953
79	39.6	CC580639	CC5434-946	CC5445-966
80	40.1	CC580641	CC5434-958	CC5445-979
81	40.6	CC580643	CC5434-971	CC5445-991
82	41.1	CC580645	CC5434-984	CC5445-1004
83	41.6	CC580647	CC5434-997	CC5445-1017
84	42.1	CC580649	CC5434-1009	CC5445-1029
85	42.6	CC580651	CC5434-1022	CC5445-1042
86	43.1	CC580653	CC5434-1035	CC5445-1055
87	43.6	CC580655	CC5434-1047	CC5445-1067
88	44.1	CC580657	CC5434-1060	CC5445-1080
89	44.6	CC580659	CC5434-1073	CC5445-1093
90	45.1	CC580661	CC5434-1085	CC5445-1106
91	45.6	CC580663	CC5434-1098	CC5445-1118
92	46.1	CC580665	CC5434-1111	CC5445-1131
93	46.6	CC580667	CC5434-1124	CC5445-1144
94	47.1	CC580669	CC5434-1136	CC5445-1156
95	47.6	CC580671	CC5434-1149	CC5445-1169
96	48.1	CC580673	CC5434-1162	CC5445-1182
97	48.6	CC580675	CC5434-1174	CC5445-1194
98	49.1	CC580677	CC5434-1187	CC5445-1207
99	49.6	CC580679	CC5434-1200	CC5445-1220
100	50.1	CC580681	CC5434-1212	CC5445-1233
101	50.6	CC581683	CC5434-1225	CC5445-1245

Common Items.

REF	QTY	PART NO	DESCRIPTION	REF	QTY	PART NO	DESCRIPTION
3	1	CC3129	★Snap Ring	13	1	CC769018	Roll Pin
4	1	CC559863	★Plunger Wiper	14	1	CC559906	Pull-In Wire
5	1	CC559982	Retainer	15	1	CC559986	Piston
6	1	CC560022	★Plunger Seal	16	1	CC559857	★Back-Up Ring
7	1	CC559954	★Back-Up Ring	17	1	CC559853	★Piston Seal
8	1	CC559861	★O-Ring	18	1	CC560717	Check Valve
9	1	CC559855	★Wear Ring	19	1	CC557226	★O-Ring
10	1	CC560470	Piston, Lowering-Fuse	20	1	CC637635	Washer
11	1	CC560824	Spring	21	1	CC3015	Retaining Ring
12	1	CC560465	Spring Guide	22	1	CC642649	■Fitting, 8-10

- ★ Included in Service Kit 560349.
- Not included in Cylinder Assembly.

CLICK HERE TO **DOWNLOAD** THE COMPLETE MANUAL

- Thank you very much for reading the preview of the manual.
- You can download the complete manual from: www.heydownloads.com by clicking the link below



- Please note: If there is no response to CLICKING the link, please download this PDF first and then click on it.

CLICK HERE TO **DOWNLOAD** THE COMPLETE MANUAL

Outer Upright

55D/60D

Items that vary according to mast height.

REF	QTY	PART NO	DESCRIPTION
1	1	■ CC687874	Outer Upright - 102in. ★
1	1	■ CC688078	Outer Upright - 103in. ★
1	1	■ CC688079	Outer Upright - 104in. ★
1	1	■ CC688080	Outer Upright - 105in. ★
1	1	■ CC688081	Outer Upright - 106in. ★
1	1	■ CC688082	Outer Upright - 107in. ★
1	1	■ CC687875	Outer Upright - 108in. ★
1	1	■ CC688083	Outer Upright - 109in. ★
1	1	■ CC688084	Outer Upright - 110in. ★
1	1	■ CC688085	Outer Upright - 111in. ★
1	1	■ CC688086	Outer Upright - 112in. ★
1	1	■ CC688087	Outer Upright - 113in. ★
1	1	■ CC688088	Outer Upright - 114in. ★
1	1	■ CC687876	Outer Upright - 115in. ★
1	1	■ CC688089	Outer Upright - 116in. ★
1	1	■ CC688090	Outer Upright - 117in. ★
1	1	■ CC688091	Outer Upright - 118in. ★
1	1	■ CC688092	Outer Upright - 119in. ★
1	1	■ CC688093	Outer Upright - 120in. ★
1	1	■ CC688094	Outer Upright - 121in. ★
1	1	■ CC687877	Outer Upright - 122in. ★
1	1	■ CC688095	Outer Upright - 123in. ★
1	1	■ CC688096	Outer Upright - 124in. ★

Common items.

REF	QTY	PART NO	DESCRIPTION	REF	QTY	PART NO	DESCRIPTION
2	2	CC662145	Roller	8	2	CC680242	Chain Anchor-60D
3	◆	CC631881	Shim	9	2	CC6518	Cotter Pin
4	◆	CC200524	Shim-.06in	10	2	CC200007	Jam Nut
5	2	CC3129	Shap Ring	12	2	CC200006	Nut
6	2	CC678667	Chain Pin	13	◆	CC200525	Shim-.08in
7	4	CC6508	Cotter Pin				
8	2	CC678661	Chain Anchor-55D				

★ Retracted channel length.

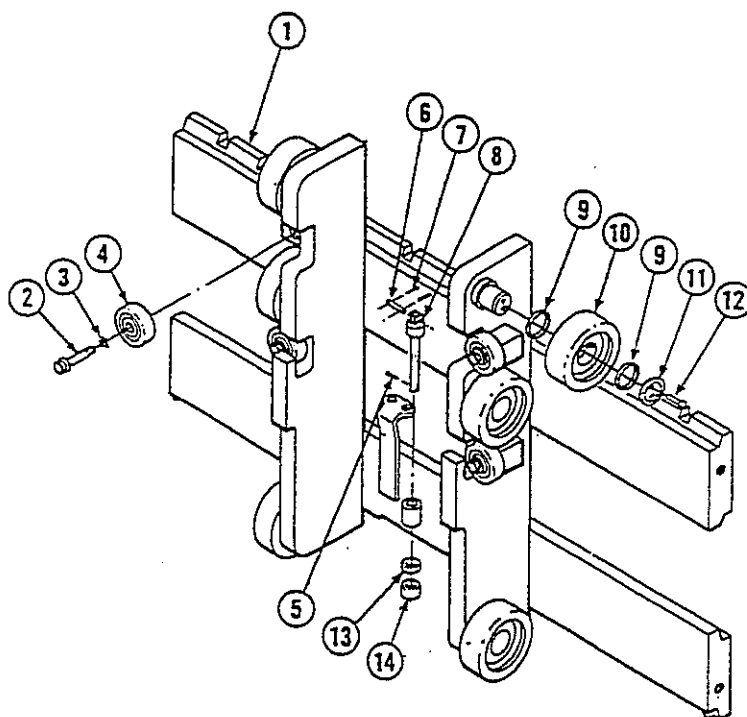
◆ Quantity as required.

■ These part numbers are for reference only, Mounting brackets are not included.

To order an Outer Upright with mounting brackets contact the Cascade Parts Depot (513)322-1199. The mast serial number must be supplied.

Fig. 8019 Carriage

Heavy Duty



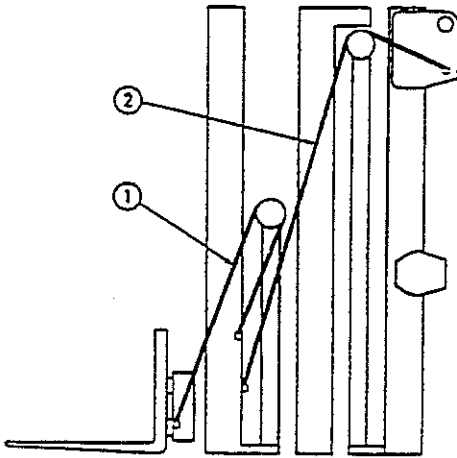
55D

REF	QTY	PART NO	DESCRIPTION
For masts mounted with 3 inch underclearance.			
1	1	CC684189	Carriage, Class II-37in. (940mm) wide
1	1	CC684190	Carriage, Class II-41in. (1041mm) wide
1	1	CC684341	Carriage, Class II-49in. (1245mm) wide
1	1	CC684342	Carriage, Class II-61in. (1549mm) wide
For masts mounted with 5 inch underclearance.			
1	1	CC684193	Carriage, Class II-37in. (940mm) wide
1	1	CC684194	Carriage, Class II-41in. (1041mm) wide
1	1	CC684195	Carriage, Class II-49in. (1245mm) wide
1	1	CC684196	Carriage, Class II-61in. (1549mm) wide
2	4	CC684125	Capscrew, Ferryhead M12×1.75×45-12.9
3	4	CC684660	Lockwasher, M12
4	4	CC683819	Roller
5	2	CC6518	Cotter Pin
6	2	CC678667	Chain Pin
7	4	CC6508	Cotter Pin
8	2	CC683816	Chain Anchor
9	★	CC631881	Shim
10	6	CC662145	Roller
11	2	CC658378	Retainer
12	4	CC680218	Capscrew, M3×0.5×12-8.8
13	2	CC200007	Jam Nut
14	2	CC200006	Nut

★ Quantity as required.

Fig. 8027 Hoist Chains

60D



Overall Retracted Channel Length in.	Qty.	Ref.No.1		Ref.No.2	
		Free Lift Chains	Chain Length in.(mm)	Main Lift Chains	Chain Length in.(mm)
56	2	CC683953	36.75(933)	CC683976	51.75(1314)
57	2	CC683954	38.25(972)	CC683976	51.75(1314)
58	2	CC683954	38.25(972)	CC683977	53.25(1353)
59	2	CC683955	39.75(1010)	CC683978	54.75(1391)
60	2	CC683956	41.25(1048)	CC683978	54.75(1391)
61	2	CC683956	41.25(1048)	CC683979	56.25(1429)
62	2	CC683957	42.75(1086)	CC681429	57.75(1467)
63	2	CC680458	44.25(1124)	CC681429	57.75(1467)
64	2	CC680458	44.25(1124)	CC683980	59.25(1505)
65	2	CC683959	45.75(1162)	CC683981	60.75(1543)
66	2	CC683960	47.25(1200)	CC683981	60.75(1543)
67	2	CC683960	47.25(1200)	CC683982	62.25(1581)
68	2	CC683961	48.75(1238)	CC681430	63.75(1619)
69	2	CC681428	50.25(1276)	CC681430	63.75(1619)
70	2	CC681428	50.25(1276)	CC678770	65.25(1657)
71	2	CC683976	51.75(1314)	CC683984	66.75(1695)
72	2	CC683977	53.25(1353)	CC683984	66.75(1695)
73	2	CC683977	53.25(1353)	CC683985	68.25(1734)
74	2	CC683978	54.75(1391)	CC680459	69.75(1772)
75	2	CC683979	56.25(1429)	CC680459	69.75(1772)
76	2	CC683979	56.25(1429)	CC678771	71.25(1810)
77	2	CC681429	57.75(1467)	CC683987	72.75(1848)
78	2	CC683980	59.25(1505)	CC683987	72.75(1848)
79	2	CC683980	59.25(1505)	CC683988	74.25(1886)
80	2	CC683981	60.75(1543)	CC678796	75.75(1924)
81	2	CC683982	62.25(1581)	CC678796	75.75(1924)
82	2	CC683982	62.25(1581)	CC683990	77.25(1962)
83	2	CC681430	63.75(1619)	CC678797	78.75(2000)
84	2	CC678770	65.25(1657)	CC678797	78.75(2000)
85	2	CC678770	65.25(1657)	CC683992	80.25(2038)
86	2	CC683984	66.75(1695)	CC681431	81.75(2076)
87	2	CC683985	68.25(1734)	CC681431	81.75(2076)
88	2	CC683985	68.25(1734)	CC683993	83.25(2115)
89	2	CC680459	69.75(1772)	CC683994	84.75(2153)
90	2	CC678771	71.25(1810)	CC683994	84.75(2153)
91	2	CC678771	71.25(1810)	CC683995	86.25(2191)
92	2	CC683987	72.75(1848)	CC678800	87.75(2229)
93	2	CC683977	53.25(1353)	CC678800	87.75(2229)
94	2	CC683978	54.75(1391)	CC678775	89.25(2267)
95	2	CC683979	56.25(1429)	CC683998	90.75(2305)
96	2	CC683979	56.25(1429)	CC683998	90.75(2305)
97	2	CC681429	57.75(1467)	CC683999	92.25(2343)
98	2	CC683980	59.25(1505)	CC684000	93.75(2381)
99	2	CC683980	59.25(1505)	CC684000	93.75(2381)
100	2	CC683981	60.75(1543)	CC684001	95.25(2419)
101	2	CC683982	62.25(1581)	CC678837	96.75(2457)

n.v. TVH FORKLIFT PARTS
 Driemasten 120 - 126
 8560 GULLEGEM (Belgium)
 Centrale Tel. : 32 (0) 56 - 434 21

目 次

CONTENTS

CONTENTS.....		1
GROUP ASSEMBLY PARTS LIST		
AA ENGINE	FIG NO.	PAGE
CYLINDER BLOCK.....	4D901	... A- 2
GEAR HOUSING.....	4D902	... A- 4
FLYWHEEL HOUSING AND OIL PUMP.....	4D903	... A- 6
CYLINDER HEAD AND BONNET.....	4D904	... A- 8
SUCTION MANIFOLD.....	4D905	... A- 10
EXHAUST MANIFOLD.....	4D906	... A- 12
CAMSHAFT AND DRIVING GEAR.....	4D907	... A- 14
CRANKSHAFT AND PISTON.....	4D908	... A- 16
LUBRICATION OIL SYSTEM.....	4D909	... A- 18
COOLING WATER SYSTEM.....	4D910	... A- 20
FUEL INJECTION PUMP AND MOUNTING PARTS.....	4D911	... A- 22
FUEL INJECTION PUMP ASS'Y.....	4D912	... A- 24
FUEL INJECTION VALVE.....	4D913	... A- 30
FUEL FILTER.....	4D914	... A- 32
STARTING MOTOR.....	4D915	... A- 34
GENERATOR (FOR KLD,KLW,1B02).....	4D916	... A- 36
GENERATOR (FOR 1B04).....	4D916-1	... A- 38
GENERATOR (FOR 1B14).....	4D916-2	... A- 40
GASKET SET (OPTIONAL).....	4D917	... A- 42
99 NUMERICAL INDEX.....		1

FIG NO. : 4D905

INDEX	PART NO.	DESCRIPTION	Q'TY	SERIAL NO.
1	YM129900-12050	GASKET,SUCTION MANIFOLD.....(KIT).....	1	00101-
2	YM129900-12100	MANIFOLD,INTAKE.....	1	00101-
4	YM26106-080452	BOLT.....	9	00101-

FIG NO. : 4D910

INDEX	PART NO.	DESCRIPTION	Q'TY	SERIAL NO.
1	YM129900-42050	PUMP ASS'Y, WATER.....	1	00101-
1H	YM23871-030000	.PLUG.....	2	00101-
2	YM129900-42060	GASKET..... (KIT).....	1	00101-
3	YM129900-42070	PIPE.....	1	00101-
4	YM24311-000360	O-RING..... (KIT).....	2	00101-
5	YM25106-080552	BOLT.....	3	00101-
6	YM129930-42400	PULLEY.....	1	(199607)-
	YM129900-42450	PULLEY, (KLD, KLW).....	1	00101-(199606)
7	YM25132-004600	V-BELT, (KLD, KLW, 1B02).....	1	00101-
	YM129930-42480	V-BELT, (1B04, 1B14).....	1	00101-
8	YM129900-44700	FAN.....	1	00101-
9	YM26014-080162	BOLT.....	4	00101-
10	YM121850-49550	GASKET, THERMOSTAT..... (KIT).....	1	00101-
11	YM129900-49550	COVER.....	1	00101-
12	YM129900-49560	GASKET..... (KIT).....	1	00101-
13	YM121850-49800	THERMOSTAT.....	1	(199603)-
	YM121850-49810	THERMOSTAT, (KLD, KLW).....	1	00101-(199602)
14	YM26106-080252	BOLT.....	2	00101-
15	YM119620-49290	COCK ASS'Y.....	1	00101-
18	YM129107-44901	SENSOR, HOT WATER.....	1	00101-
19	YM124465-44950	GASKET..... (KIT).....	1	00101-
20	YM171056-49351	SENSOR.....	1	00101-
21	YM23414-100014	PACKING..... (KIT).....	1	00101-

INDEX	PART NO.	DESCRIPTION	Q'TY	SERIAL NO.
1	YM129901-01950	BRACKET.....	1	00101-
2	YM129901-01960	STAY, BRACKET.....	1	00101-
3	YM26106-100142	BOLT.....	1	00101-
4	YM26106-100162	BOLT.....	1	00101-
5	YM26106-100202	BOLT.....	1	00101-
6	YM129901-53001	VALVE, FUEL.....	4	00101-
7	YM129901-53020	.RETAINER.....	4	00101-
8	YM129901-53010	. VALVE, FUEL.....	4	00101-
9	YM119305-59120	RETAINER.....	2	00101-
12	YM129150-59131	.BOLT.....	2	00101-
13	YM129550-59120	RETAINER.....	1	00101-
16	YM129150-59131	.BOLT.....	2	00101-
18	YM129901-59810	PIPE.....	1	00101-
22	YM129901-59820	PIPE.....	1	00101-
26	YM129901-59830	PIPE.....	1	00101-
30	YM129901-59840	PIPE.....	1	00101-
34	YM124066-59100	CLAMP.....	2	00101-
35	YM105225-59120	PIPE.....	1	00101-
36	YM129901-59510	PIPE.....	1	00101-
41	YM129901-59560	GASKET..... (KIT).....	4	00101-
42	YM129901-59580	JOINT.....	1	00101-
43	YM119620-59700	NUT.....	4	00101-
44	YM23414-120000	GASKET..... (KIT).....	2	00101-

CLICK HERE TO **DOWNLOAD** THE COMPLETE MANUAL

- Thank you very much for reading the preview of the manual.
- You can download the complete manual from: www.heydownloads.com by clicking the link below



- Please note: If there is no response to CLICKING the link, please download this PDF first and then click on it.

CLICK HERE TO **DOWNLOAD** THE COMPLETE MANUAL