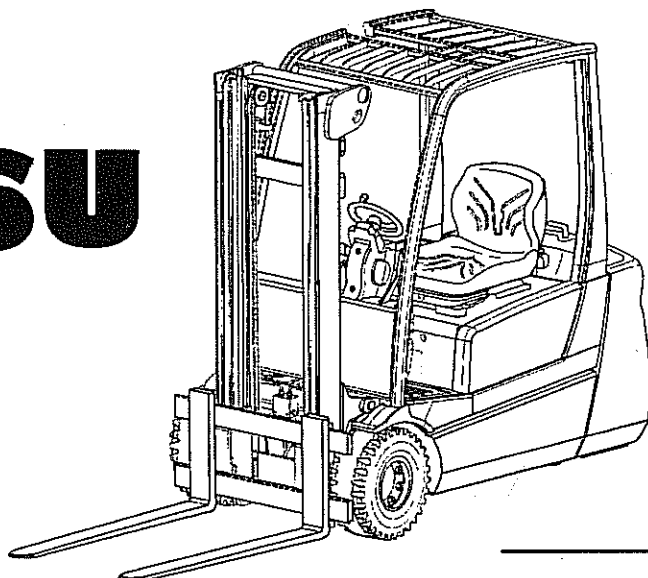


KOMATSU



MASTER PARTS BOOK

FB 13M - 3E

FB 16M - 3E

FB 18M - 3E

FB 20M - 3E

FB 16MG - 3E

FB 18MG - 3E

CLICK HERE TO **DOWNLOAD** THE COMPLETE MANUAL

- Thank you very much for reading the preview of the manual.
- You can download the complete manual from: www.heydownloads.com by clicking the link below



- Please note: If there is no response to CLICKING the link, please download this PDF first and then click on it.

CLICK HERE TO **DOWNLOAD** THE COMPLETE MANUAL

WIEDERHOLTEILE
PIECES FIXES
ICOMPONENTI DI RIPRESA

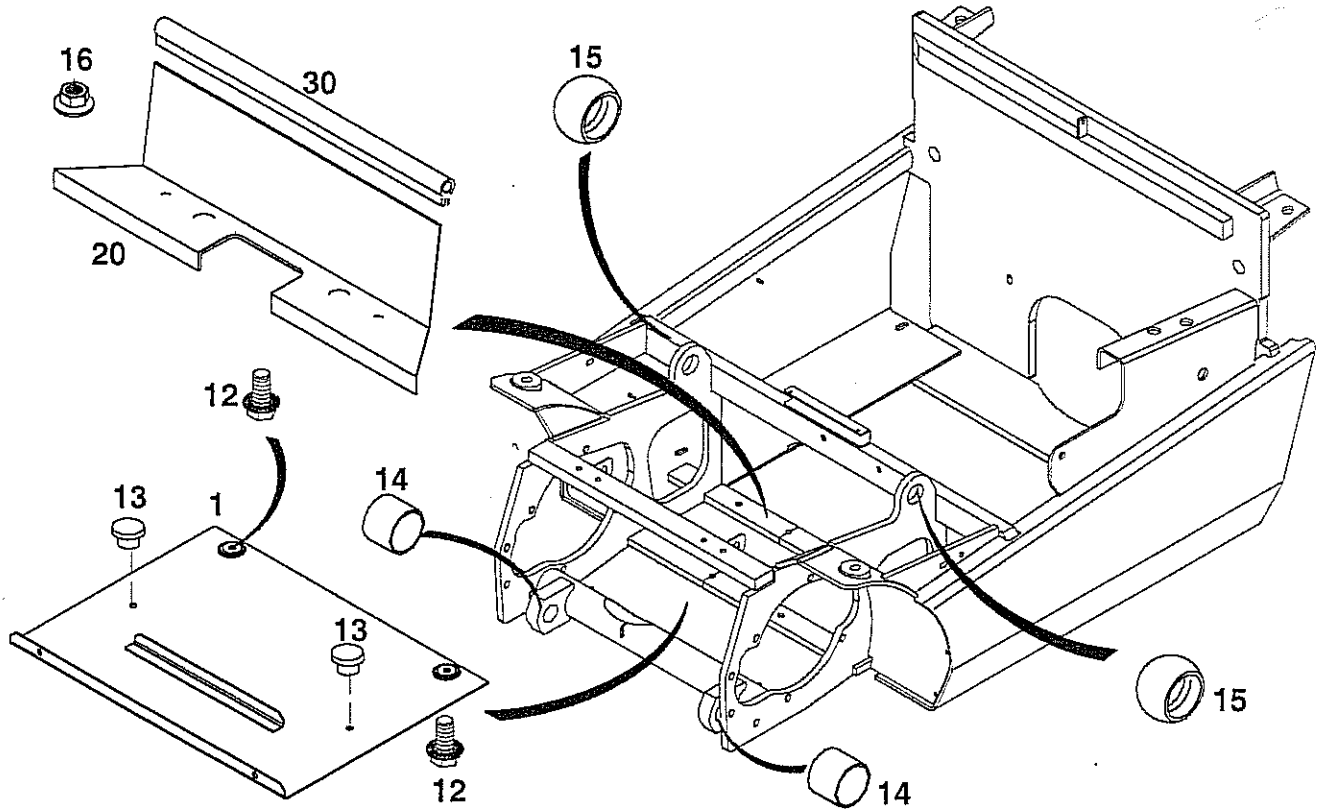
REPEAT PARTS
PIEZA CONSTANTE

5083349

21.06.2000

KOMATSU

WIEDERHOLTEILE



POS ITE REP	BEST.-NR PART-NO PIECE-NO	STK QTY QTE	BENENNUNG DISCRIPTION DESIGNATION
1	5041691	1	ABDECKUNG COVER COUVERCLE
12	5004211	2	SCHRAUBE SCREW VIS
13	1924	2	STOPFEN PLUG BOUCHON
14	4399928	2	LAGER (BUECHSE) BUSH BAGUE

15	4397690	2	LAGER (ROTIEREND) BEARING ROULEMENT
16	4562221	1	MUTTER NUT ECROU
20	5074909	1	ABDECKUNG COVER COUVERCLE
30	5004541	1	SCHNURBAND STRAP ATTACHE

ABDECKUNG
COUVERCLE
COPERCHIO

COVER
PLETINA

5082705

21.06.2000

ABDECKUNG

KOMATSU

43	196	2	MUTTER NUT ECROU
44	614	2	SCHEIBE WASHER RONDELLE
45	1611	2	SCHRAUBE SCREW VIS
48	25376	1	KABELDURCHFUEHRUNG GLAND-CABLE EMBOUT DE CABLE

50	384796	4	DISTANZSTUECK SPACER ENTRETOISE
65	5004211	2	SCHRAUBE SCREW VIS
90	29913	4	SCHRAUBE SCREW VIS

LENKUNG DIRECTION STERZO	STEERING DIRECTRIZ	5041713	21.06.2000
		LENKUNG	

KOMATSU

240	551	4	SCHEIBE WASHER RONDELLE
250	5033536	2	STUTZEN NECK RACCORD
260	5021722	2	VERSCHRAUBUNG ADAPTOR (EQUAL THREAD) RACCORD
275	5030407	2	STUTZEN NECK RACCORD
280	4494512	5	SCHRAUBE SCREW VIS
290	5004083	3	MUTTER NUT ECROU
300	4568826	1	MUTTER NUT ECROU
301	1602	1	SCHRAUBE SCREW VIS
302	4101	1	MUTTER NUT ECROU
* 310	5058649	1	ELEKTROMOTOR MOTOR-ELECTRIC MOTEUR ELECTRIQUE
# 311	5055630	1	ELEKTROMOTOR MOTOR-ELECTRIC MOTEUR ELECTRIQUE
320	5030442	1	PUMPE PUMP POMPE

321	250651	1	KLAUENKUPPLUNG COUPLING ATTELAGE
322	32662	1	O-RING SEAL-O-RING JOINT TORIQUE
# 323	5034739	1	DICHTSATZ KIT-SEAL JEU DE JOINTS
330	5063067	1	HALTER BRACKET SUPPORT ETRIER
340	5030449	1	SCHLAUCHANSCHLUSS FITTING-HOSE BRANCHEMENT DE FLEXIBLES
350	5015261	1	STUTZEN NECK RACCORD
360	5005306	6	LAGER (BUECHSE) BUSH BAGUE
370	87606	1	SCHLAUCHBINDER STRAP-HOSE COLLIER DE FLEXIBLE
380	29895	3	SCHRAUBE SCREW VIS
385	5033706	3	SCHEIBE WASHER RONDELLE
390	4482095	2	SCHRAUBE SCREW VIS
400	25	2	FEDERRING WASHER-SPRING RONDELLE GROWER

FESTSTELLBREMSE
 FREIN DE STATIONNEMENT
 FRENO DI PARCHEGGIO

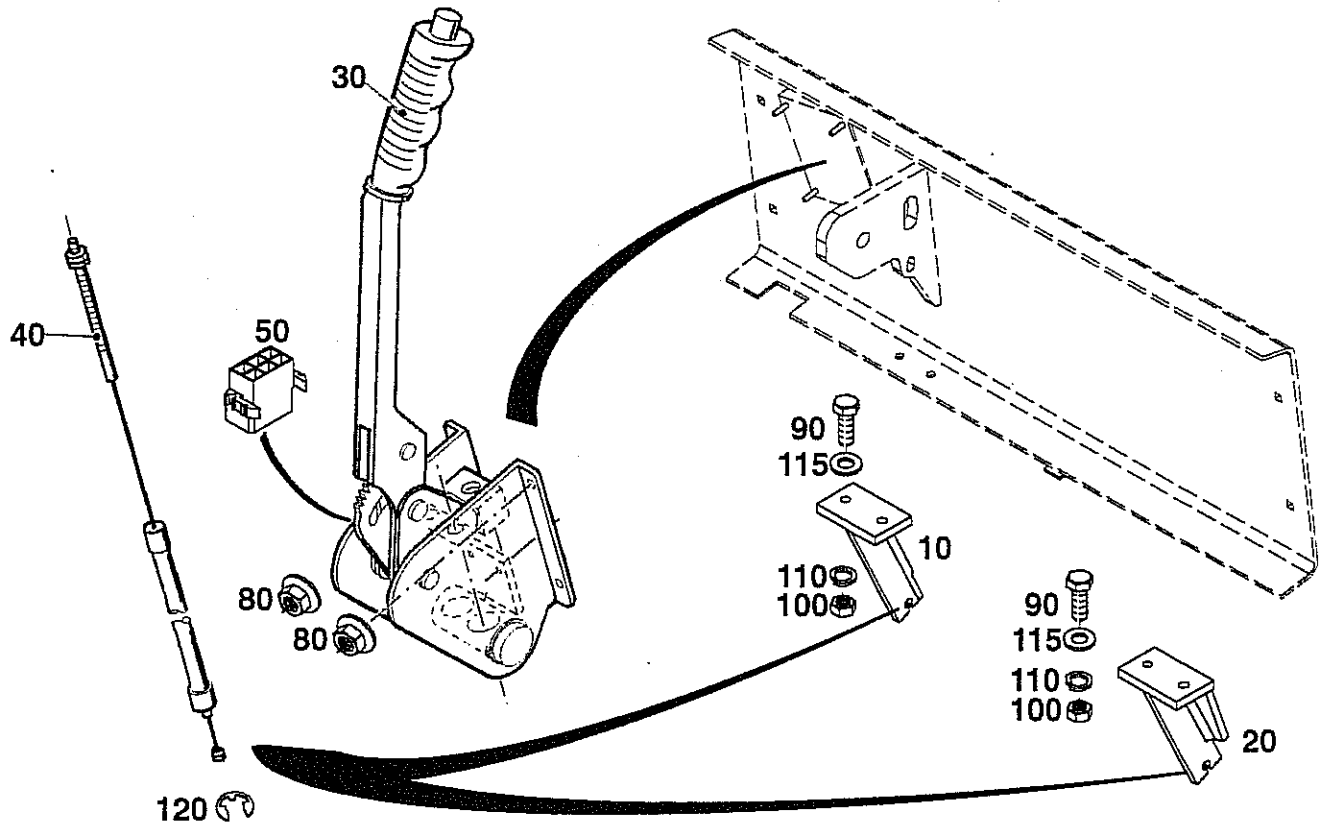
BRAKE-PARKING
 FRENO DE ESTACIONAMIENTO

5076649

21.06.2000

KOMATSU

FESTSTELLBREMSE

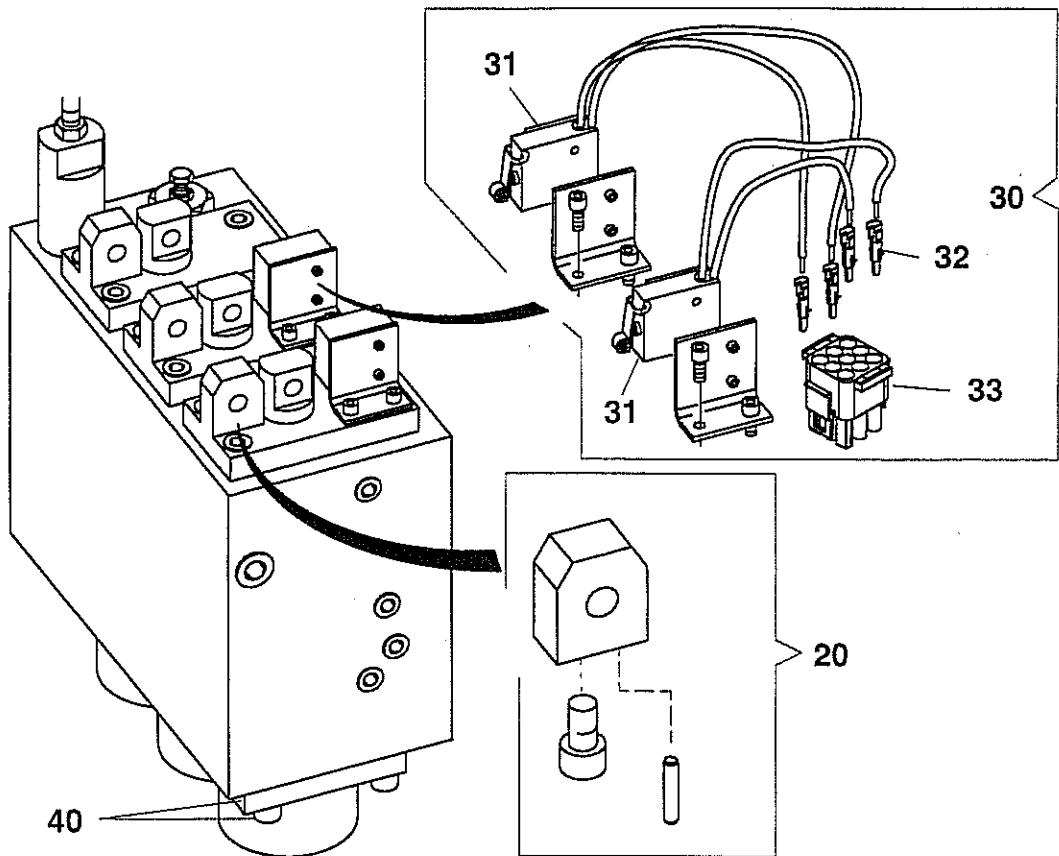


POS ITE REP	BEST.-NR PART-NO PIECE-NO	STK QTY QTE	BENENNUNG DISCRIPTION DESIGNATION
10	5041711	1	HALTER BRACKET SUPPORT ETRIER
20	5041712	1	HALTER BRACKET SUPPORT ETRIER
30	5076648	1	FESTSTELLBREMSE BRAKE-PARKING FREIN DE STATIONNEMENT
40	5041487	2	BREMSZUG CABLE-BRAKE CABLE A FREIN
50	5021582	1	GEHAUSE HOUSING CARTER

80	4668473	4	MUTTER NUT ECROU
90	1420	4	SCHRAUBE SCREW VIS
100	2379	4	MUTTER NUT ECROU
110	25	4	FEDERRING WASHER-SPRING RONDELLE GROWER
115	614	4	SCHEIBE WASHER RONDELLE
120	840	2	SCHEIBE WASHER RONDELLE

STUEBERBLOCK BLOC DE COMMANDE BLOCCO DI COMANDO	CONTROL BLOCK BLOQUE DE MANDO	5046209	21.06.2000
		STUEBERBLOCK	

KOMATSU



POS ITE REP	BEST.-NR PART-NO PIECE-NO	STK QTY QTE	BENENNUNG DISCRIPTION DESIGNATION
20	5035206	3	FUEHRUNG GUIDE GUIDE
30	5035210	2	SCHALTEINRICHTUNG CONTROL SYSTEM COMMANDE ELECTIQUE
31	5081071	2	MIKROSCHALTER MICROSWITCH INTERRUPTER MICRO

32	27917	4	STIFT PIN GOUPILLE
33	4701465	1	GEHAEUSE HOUSING CARTER
40	5035202	3	ABDECKUNG COVER COUVERCLE

HYDR. AGGREGAT ORGANE HYDRAULIQUE GRUPPO IDRAULICO	ASSEMBLY, HYDR. MONTAJE HIDRAULICO	5041551	21.06.2000
		HYDR. AGGREGAT	

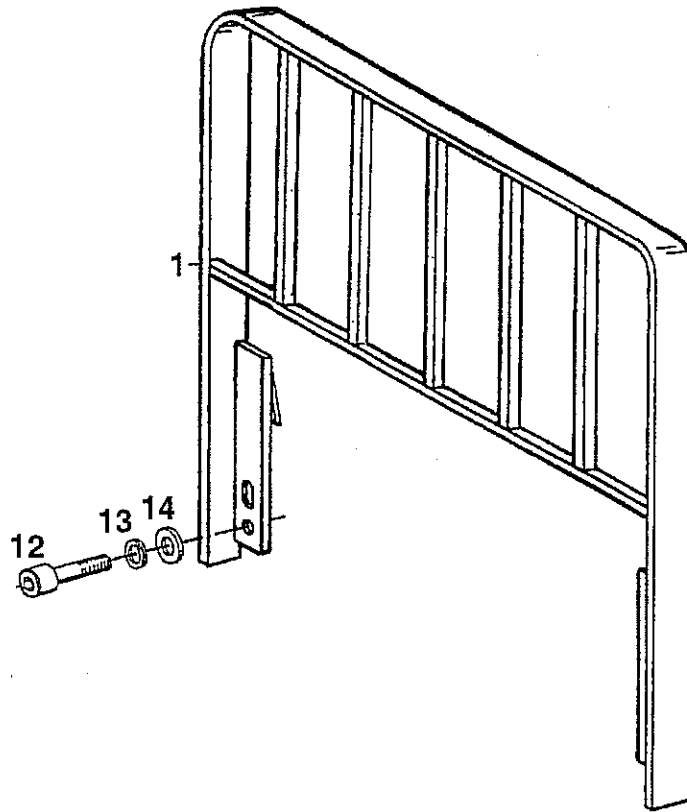
KOMATSU

45	25	2	FEDERRING WASHER-SPRING RONDELLE GROWER
46	4624745	2	SCHRAUBE SCREW VIS
47	1489	1	O-RING SEAL-O-RING FFFFFFF
49	18160	1	O-RING SEAL-O-RING FFFFFFF

66	250654	1	KLAUENKUPPLUNG COUPLING ATTELAGE
67	37621	1	O-RING SEAL-O-RING FFFFFFF
# 68	5004257	1	DICHTSATZ KIT-SEAL JEU DE JOINTS
# 69	4800982	1	BAUSATZ KIT KIT

LASTENSCHUTZ	BACKGUARD	5052486	21.06.2000
PROTECCION ARRIERE	PROTECCION TRASERA	LASTENSCHUTZ	
PROTEZIONE POSTERIORE			

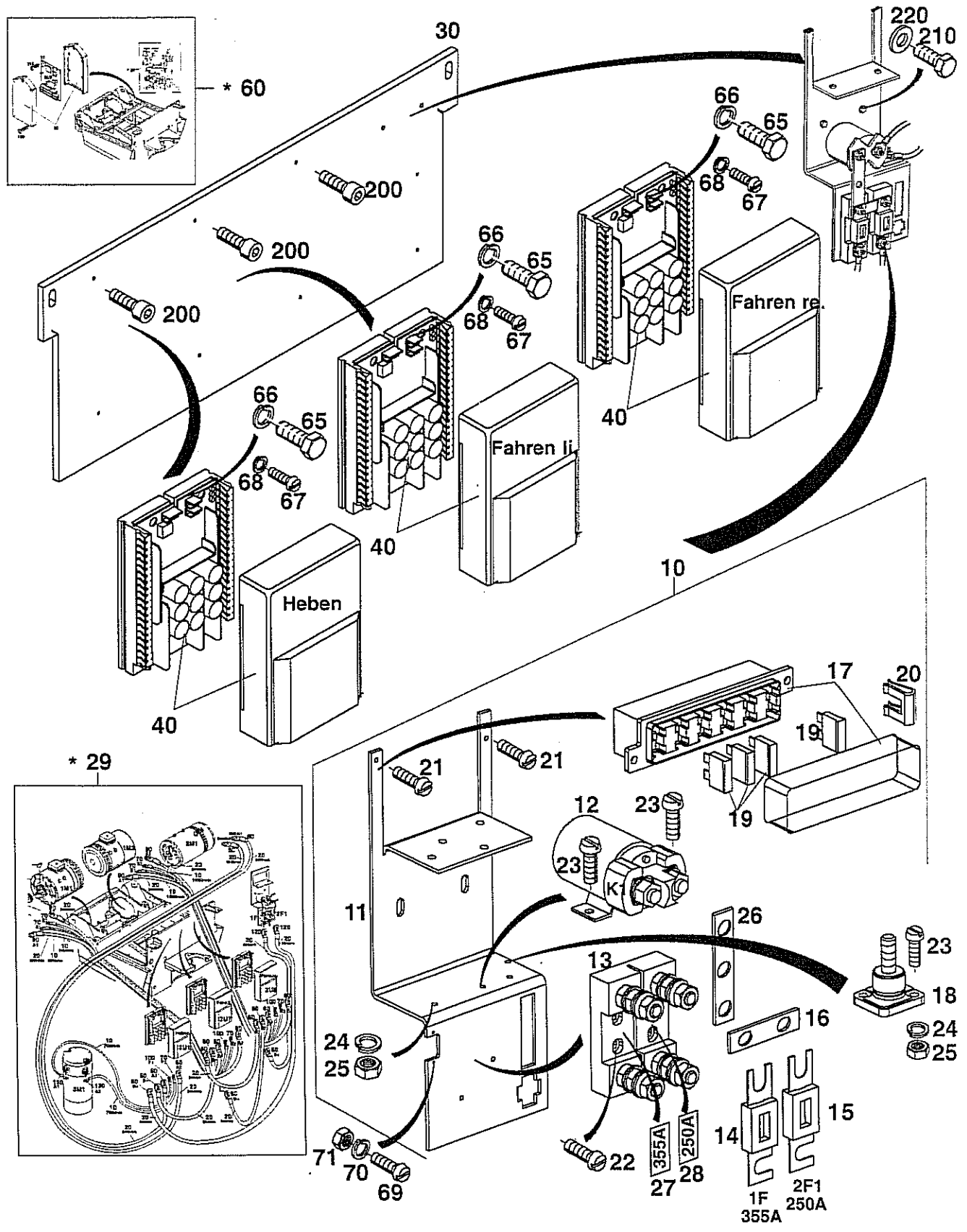
KOMATSU



POS ITE REP	BEST.-NR PART-NO PIECE-NO	STK QTY QTE	BENENNUNG DISCRIPTION DESIGNATION
1	5052487	1	LASTENSCHUTZ BACKGUARD PROTECCION ARRIERE
12	000443	2	SCHRAUBE SCREW VIS

13	000886	2	SCHEIBE WASHER RONDELLE
14	000550	2	SCHEIBE WASHER RONDELLE

FAHRSCHALTER	CONTROLLER	5082325	21.06.2000
COMMUTATEUR DE MARCHE	COMMUTADOR DE MARCHA		
COMMUTATORE		FAHRSCHALTER	



CLICK HERE TO **DOWNLOAD** THE COMPLETE MANUAL

- Thank you very much for reading the preview of the manual.
- You can download the complete manual from: www.heydownloads.com by clicking the link below



- Please note: If there is no response to CLICKING the link, please download this PDF first and then click on it.

CLICK HERE TO **DOWNLOAD** THE COMPLETE MANUAL