

PARTS BOOK

4D95S-W

DIESEL ENGINE

(Z SERIES)

 **KOMATSU FORKLIFT**

CLICK HERE TO **DOWNLOAD** THE COMPLETE MANUAL

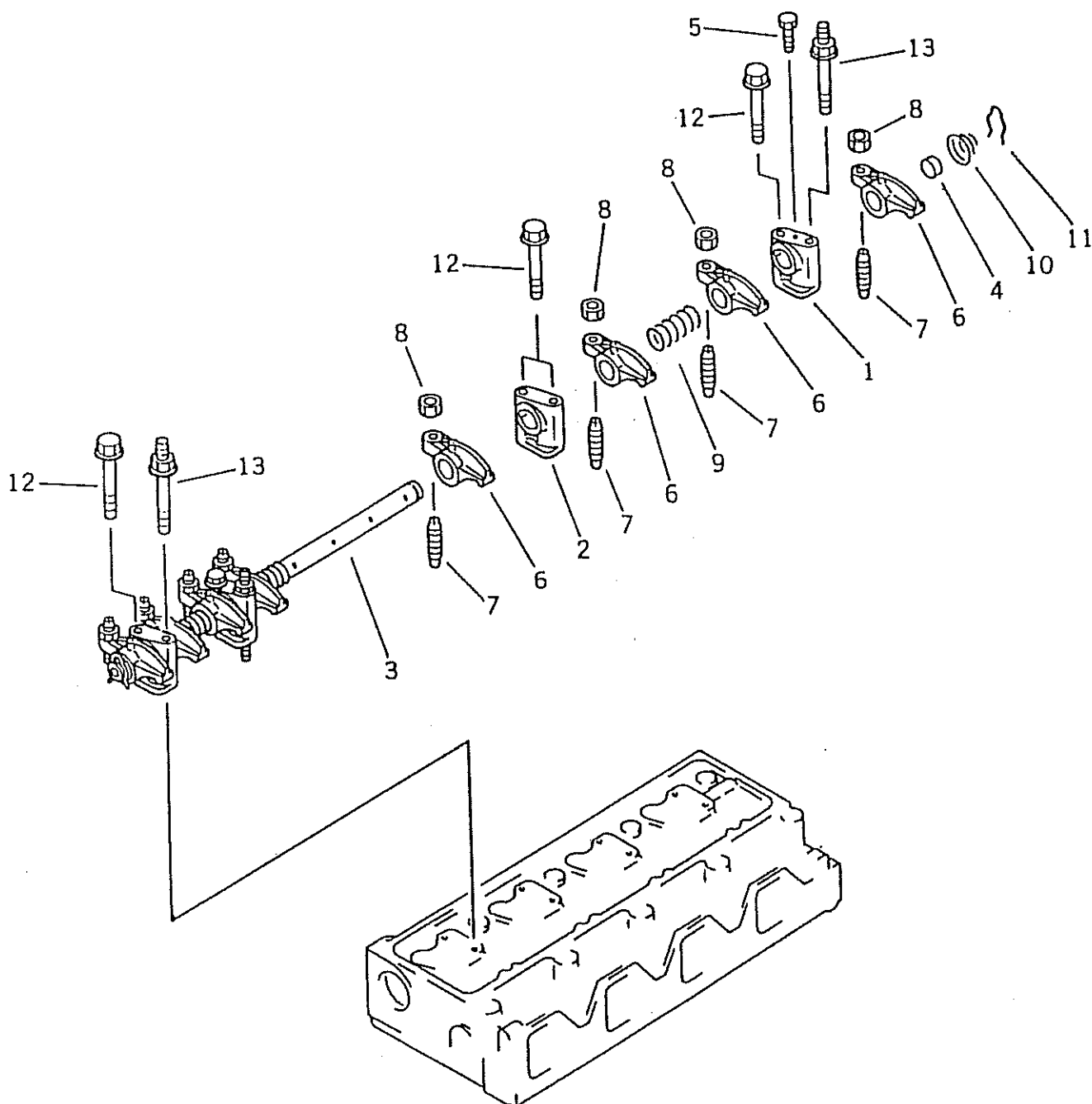
- Thank you very much for reading the preview of the manual.
- You can download the complete manual from: www.heydownloads.com by clicking the link below



- Please note: If there is no response to CLICKING the link, please download this PDF first and then click on it.

CLICK HERE TO **DOWNLOAD** THE COMPLETE MANUAL

Fig. 103 ROCKER ARM



CYLINDER BLOCK

図および索引番号 Fig. & Index No.	品 番 Part No.	品 名 Description	個数 Q'ty	互換性 ITC	備考 Remarks
24	07046-42216	PLUG	1		
25	07046-23016	PLUG	1		
26	6204-21-6710	PLATE	1		
27	6204-21-6810	GASKET(KIT)	1		
28	01435-20814	BOLT	2		
29	6207-21-2110	LINER, cylinder (A)	AR		
	6207-21-2120	LINER, cylinder (B)	AR		
30	08073-00505	SWITCH, pressure	1		

Fig. 222 FLYWHEEL AND FLYWHEEL HOUSING (T,V)

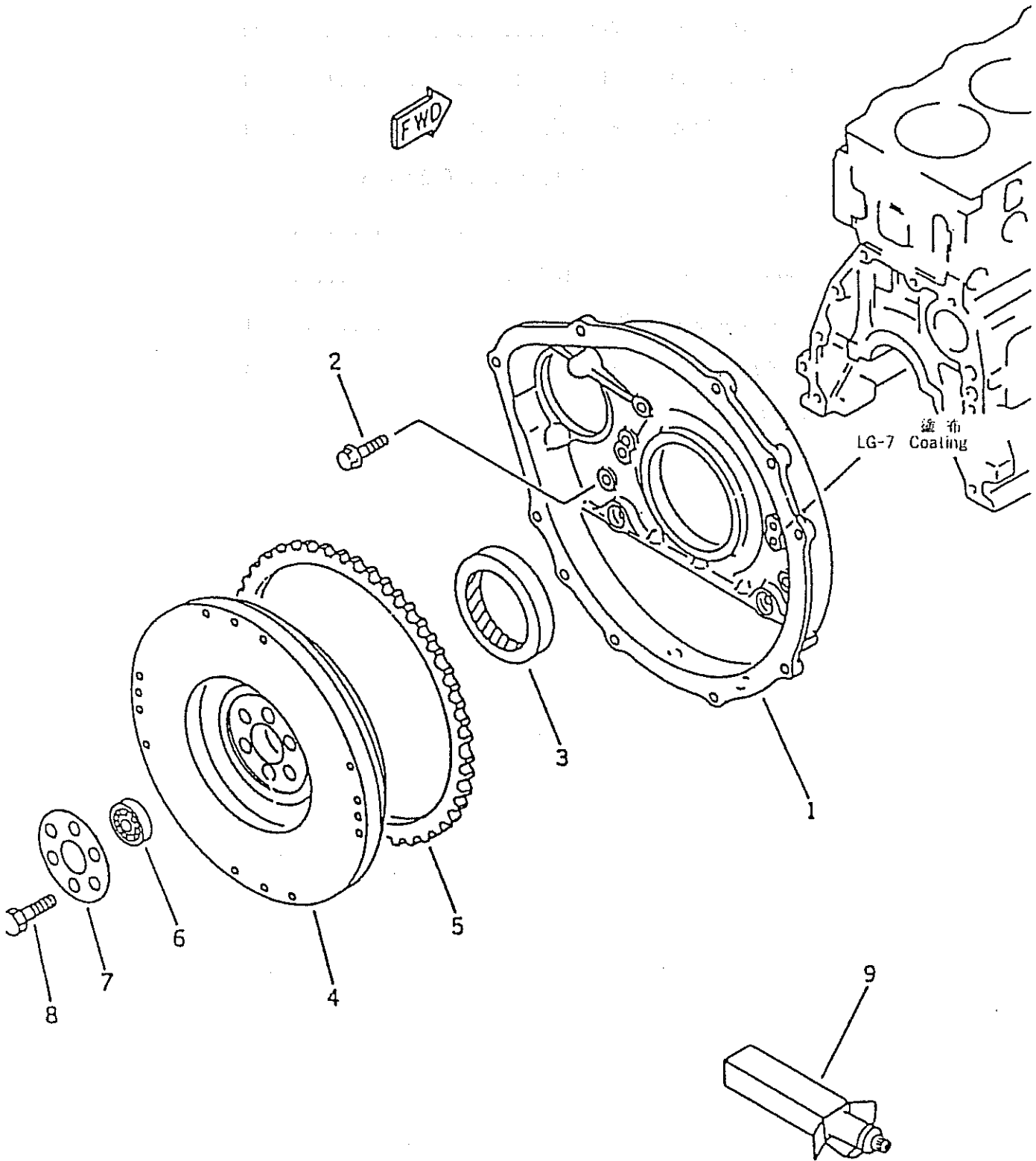


Fig. 241 CAMSHAFT AND TAPPET

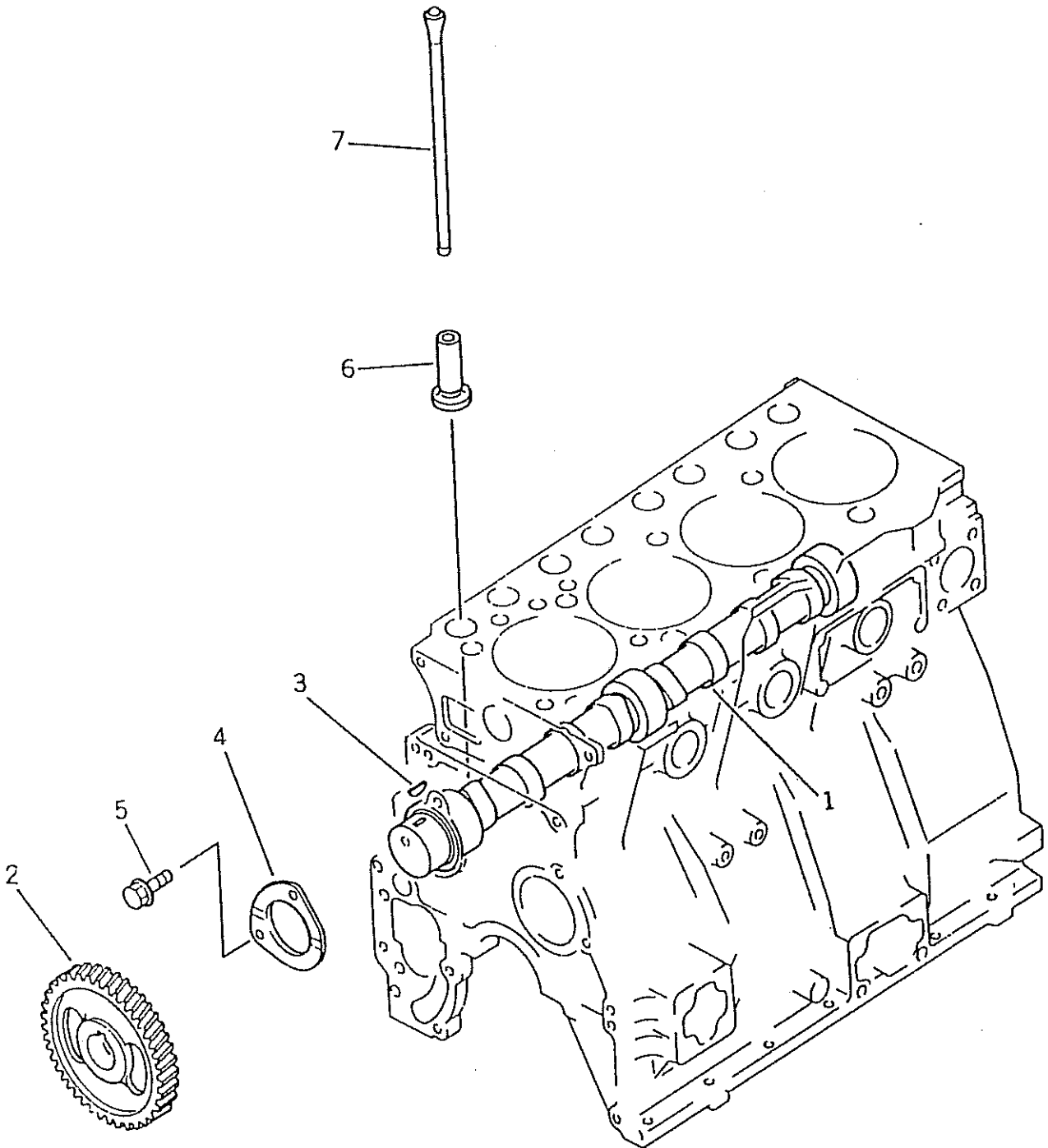
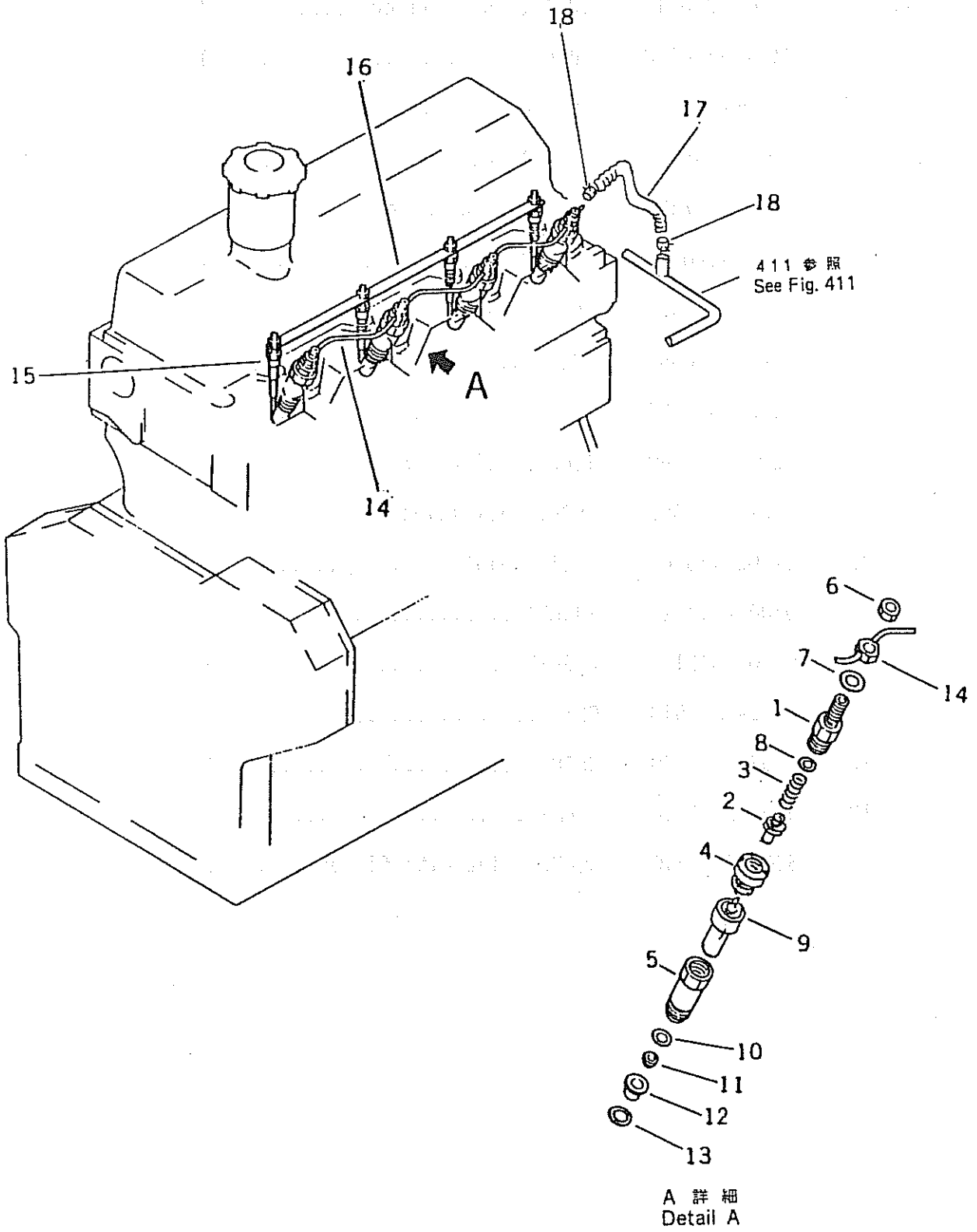


Fig. 422 NOZZLE HOLDER AND SPILL PIPE



FUEL INJECTION PUMP

図および索引番号 Fig. & Index No.	品番 Part No.	品名 Description	個数 Q'ty	互換性 ITC	備考 Remarks
461-52/1	DK146420-5600	.SHIM, t=1.84 mm	AR		
52/1	DK146420-5700	.SHIM, t=1.86 mm	AR		
52/1	DK146420-5800	.SHIM, t=1.88 mm	AR		
54	DK146433-0100	.GASKIET	4		
55	DK146430-3420	.DELIVERY VALVE	4		
56	DK146432-0000	.SPRING, D.V.	4		
58	DK146440-0220	.HOLDER, D.V.	4		
60	DK139106-0100	.SCREW	3		
67	DK146820-2820	.COVER, GOV.	1		
67/1	DK146508-1022	.COVER, GOV.	1		
67/2	DK146515-0220	.CONTROL SHAFT	1		
67/3	DK146600-0100	.O-RING	1		
67/4	DK139310-0200	.WASHER	2		
67/5	DK146530-0000	.LEVER	AR		
67/5B	DK146530-0100	.LEVER	AR		
67/5	DK014110-6440	.SPRING WASHER	2		
67/7	DK013020-6040	.NUT	1		
67/8	DK146515-1820	.LEVER SHAFT	1		
67/9	DK146587-4500	.SPRING	1		
67/10	DK146600-0200	.O-RING	1		
67/11	DK146602-0100	.WASHER	1		
67/12	DK146540-1300	.LEVER	AR		
67/12B	DK146540-1400	.LEVER	AR		
67/13	DK146621-1700	.NUT	1		
67/14	DK146621-1700	.NUT	1		
67/15	DK146526-2800	.BOLT	1		
67/16	DK146526-2800	.BOLT	1		

Fig. 601 ALTERNATOR AND MOUNTING

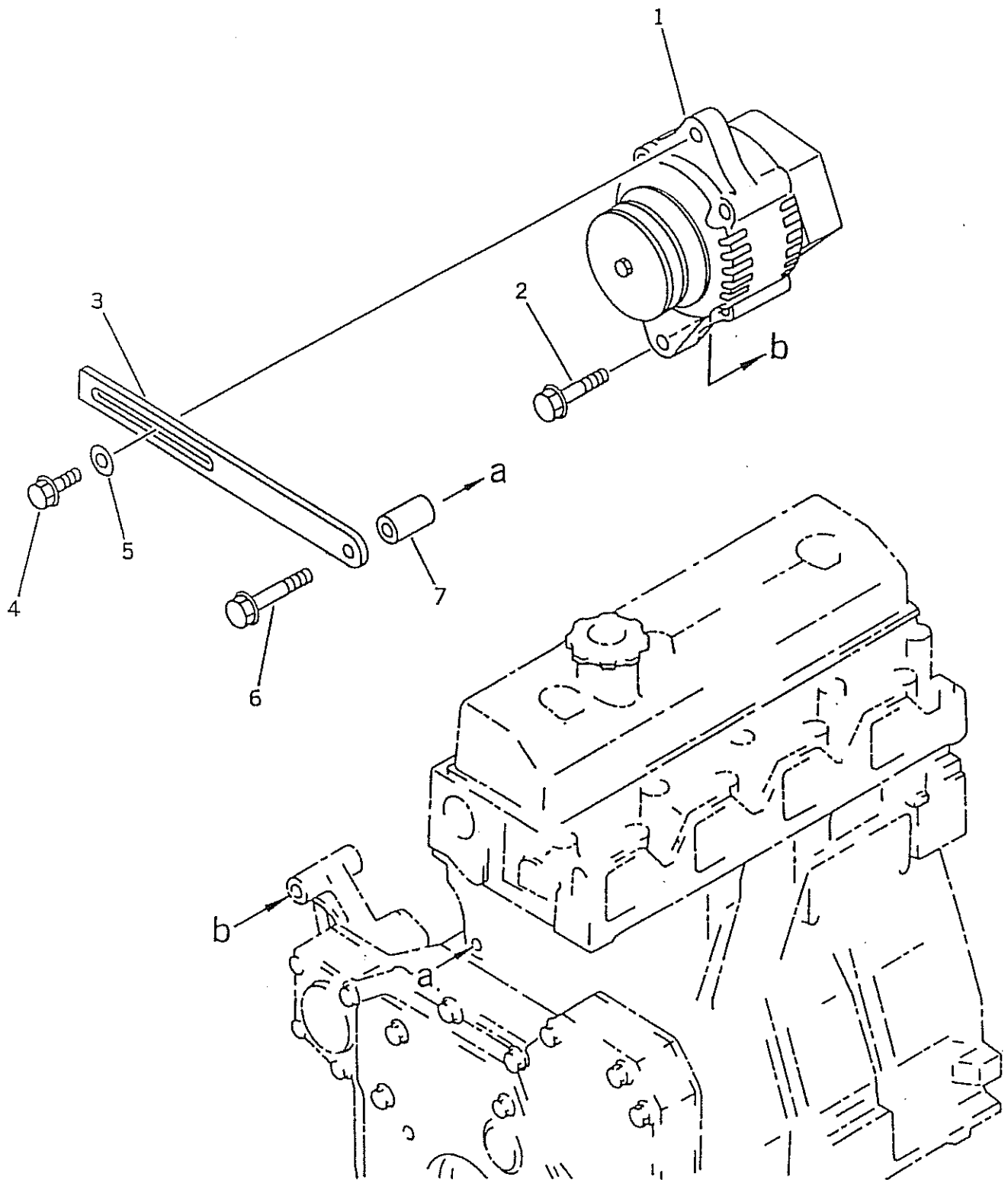
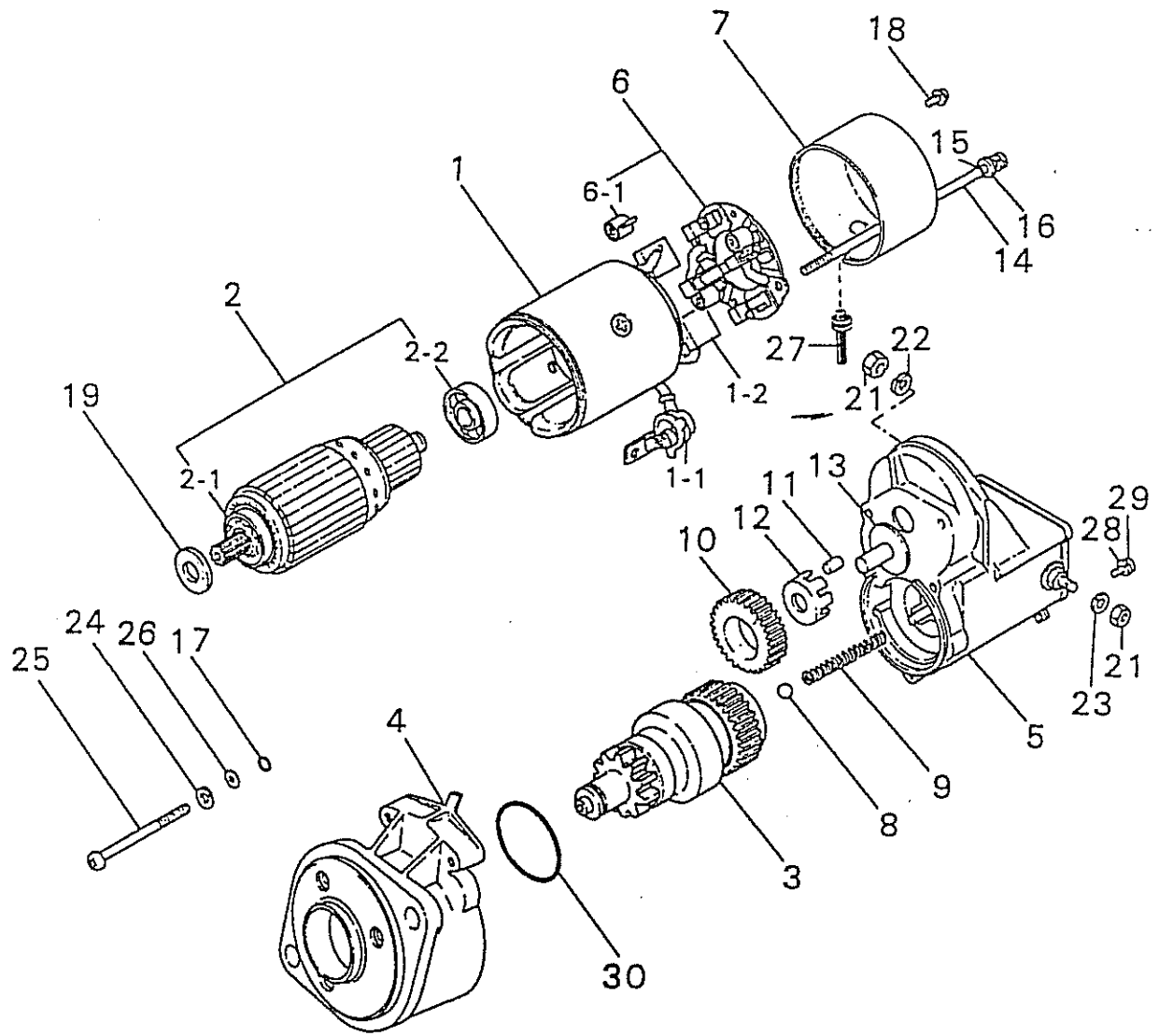


Fig. 631 STARTING MOTOR (V)



CLICK HERE TO **DOWNLOAD** THE COMPLETE MANUAL

- Thank you very much for reading the preview of the manual.
- You can download the complete manual from: www.heydownloads.com by clicking the link below



- Please note: If there is no response to CLICKING the link, please download this PDF first and then click on it.

CLICK HERE TO **DOWNLOAD** THE COMPLETE MANUAL