



67Z7B

(CUMMINS QSB4.5)

93307-00670



93307-00670

July 2017

PARTS CATALOG

WHEEL LOADER

67Z7B

Powered by CUMMINS QSB4.5 Engine

Serial No. 65C5-5001 ~

CLICK HERE TO **DOWNLOAD** THE COMPLETE MANUAL

- Thank you very much for reading the preview of the manual.
- You can download the complete manual from: www.heydownloads.com by clicking the link below



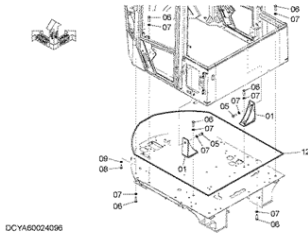
- Please note: If there is no response to CLICKING the link, please download this PDF first and then click on it.

CLICK HERE TO **DOWNLOAD** THE COMPLETE MANUAL

MEMO

MEMO

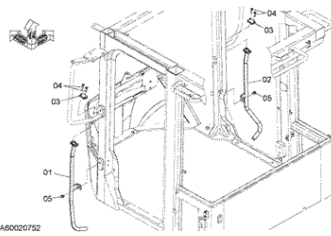
CAB GROUP



DCY450024096

.....p.167

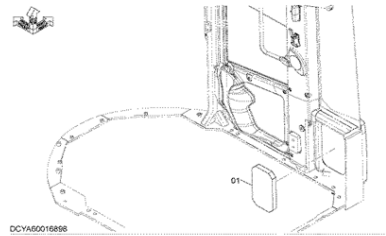
HANDRAIL



DCY450020732

.....p.169

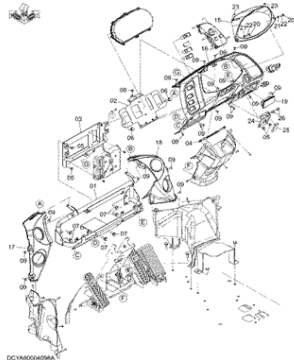
MAT (CAB RIGHT SIDE COVER)



DCY450016888

.....p.171

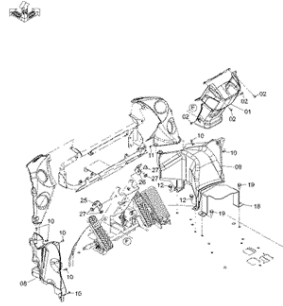
FRONT CONSOLE (1)



DCY450004054

.....p.173

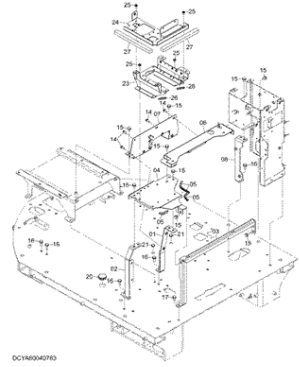
FRONT CONSOLE (2)



DCY450019094

.....p.175

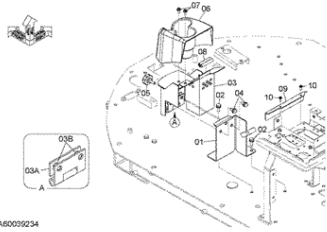
FLOOR PARTS (REAR CONSOLE)



DCY450040770

.....p.177

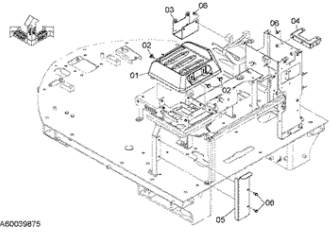
FLOOR PARTS (DRINK HOLDER)



DCY450029234

.....p.179

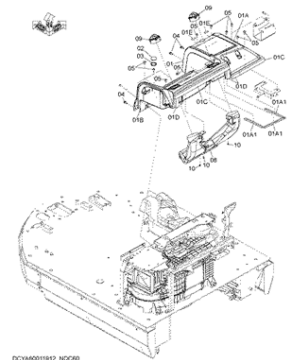
REAR CONSOLE (1)



DCY450029875

.....p.181

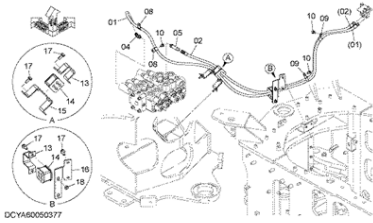
REAR CONSOLE (2)



DCY45001912_ACC80

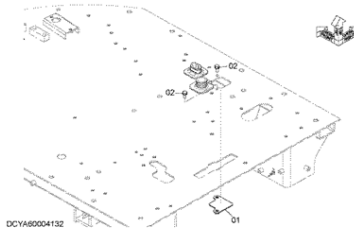
.....p.183

PILOT PIPING (3 SPOOL)



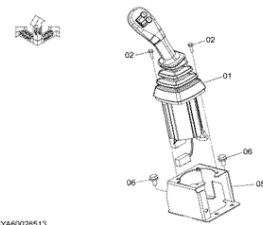
.....p.353

PILOT HOSE COVER



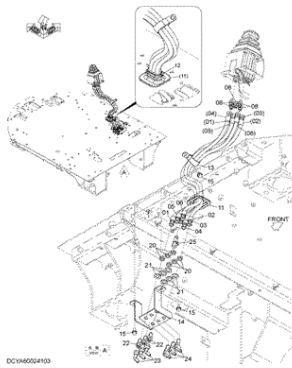
.....p.355

MULTI-FUNCTION LEVER (WITH SWITCH)



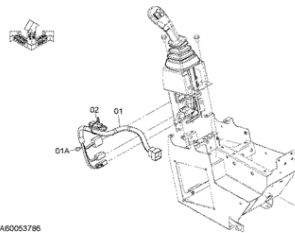
.....p.357

PILOT PIPING (MULTI-FUNCTION LEVER)



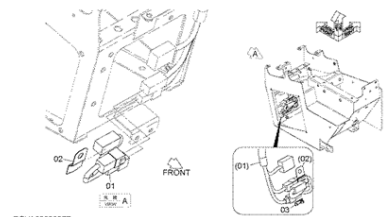
.....p.359

MULTI-FUNCTION LEVER



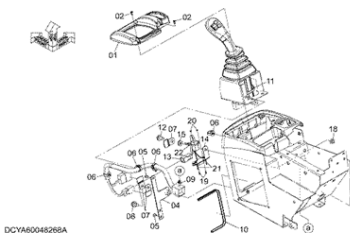
.....p.361

MULTI-FUNCTION LEVER HARNESS (WITH LIFT ARM AUTO LEVELER)



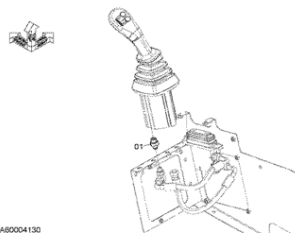
.....p.363

MULTI-FUNCTION LEVER PARTS



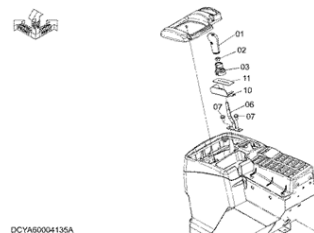
.....p.365

ADAPTER (MULTI-FUNCTION LEVER)



.....p.367

AUX LEVER (OUTSIDE)



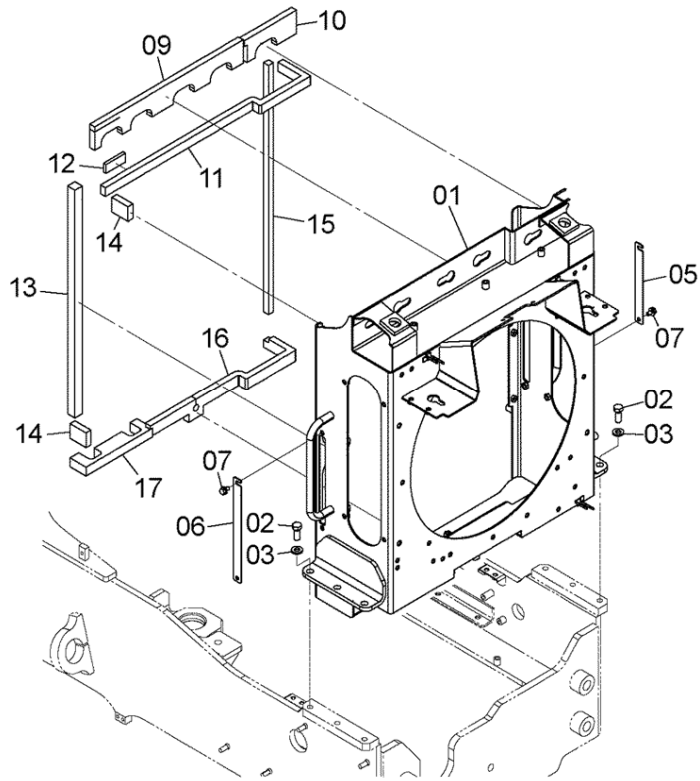
.....p.369

COOLING DEVICE (1) 冷却装置 (1)

Applicable Model (適用機種): -

Mark(記号): -

Serial No. (適用号機): -



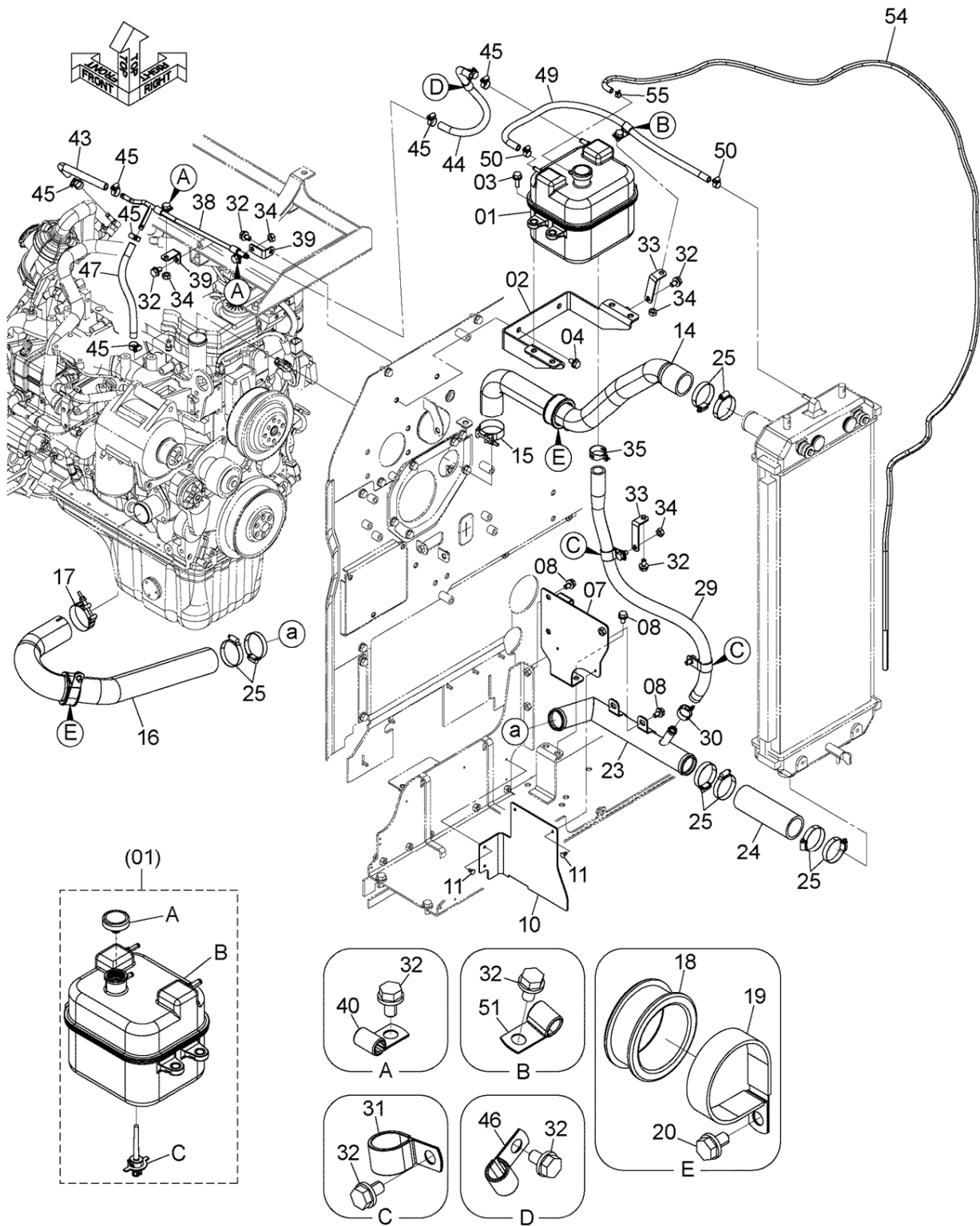
DCYA60043515

RADIATOR PIPING ラジエータ配管

Applicable Model (適用機種): -

Mark (記号): -

Serial No. (適用号機): -



DCYA60043519

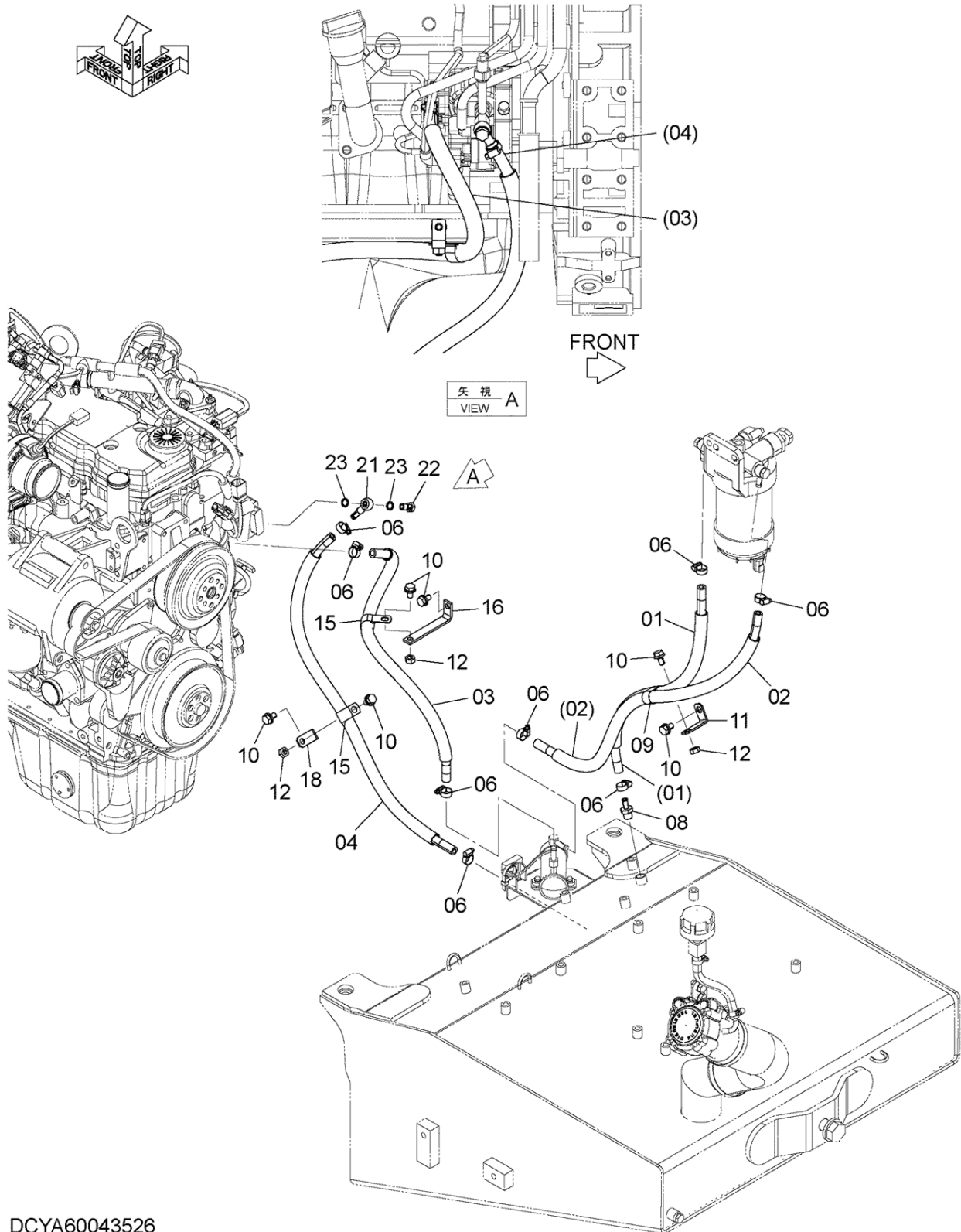
FUEL PIPING

燃料配管

Applicable Model (適用機種): -

Mark (記号): -

Serial No. (適用号機): -



DCYA60043526

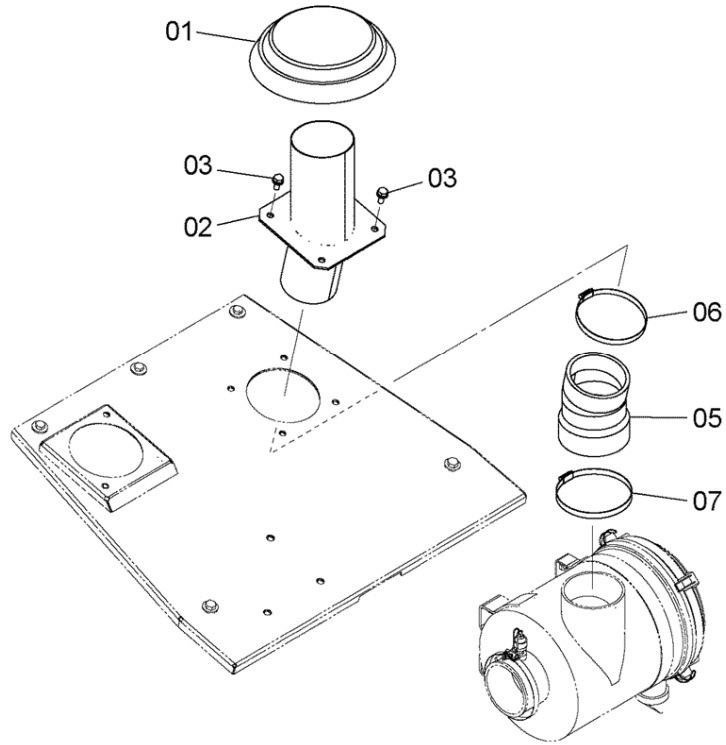
RAIN CAP

レインキャップ

Applicable Model (適用機種): -

Mark (記号): -

Serial No. (適用号機): -



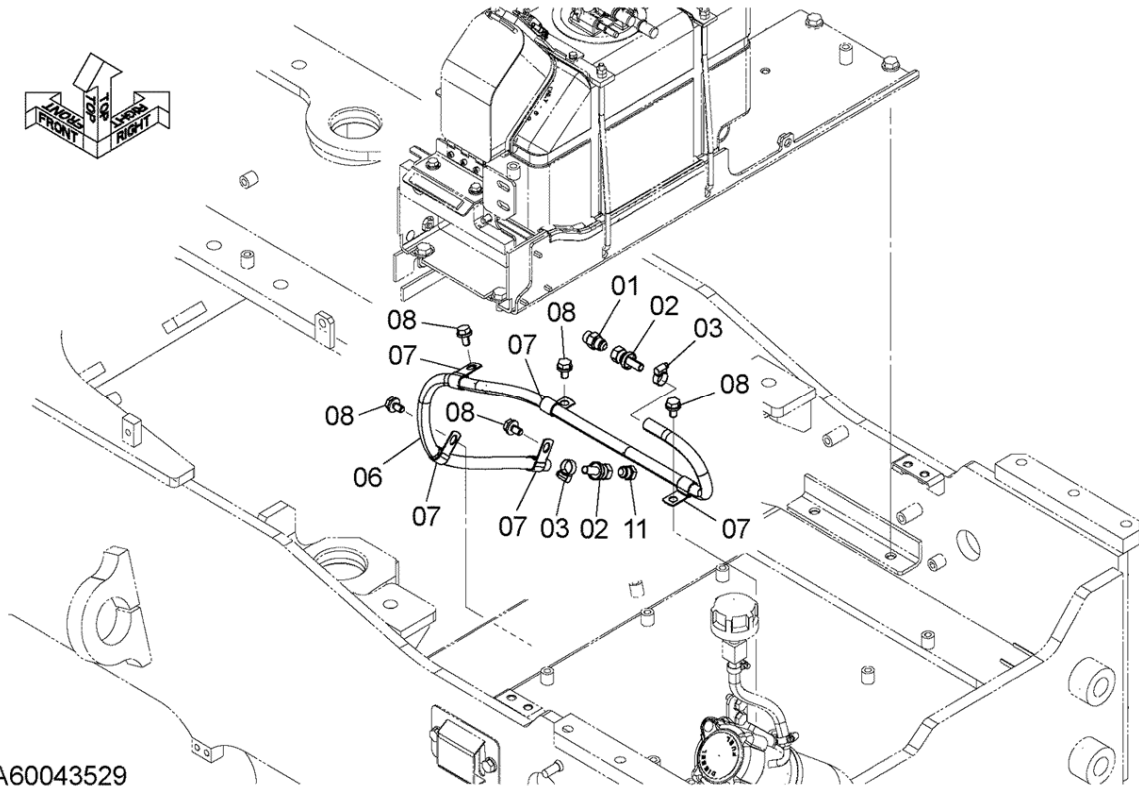
DCYA60046479

UREA WATER TANK PIPING (DRAIN) 尿素水タンク配管 (ドレン)

Applicable Model (適用機種): -

Mark (記号): -

Serial No. (適用号機): -



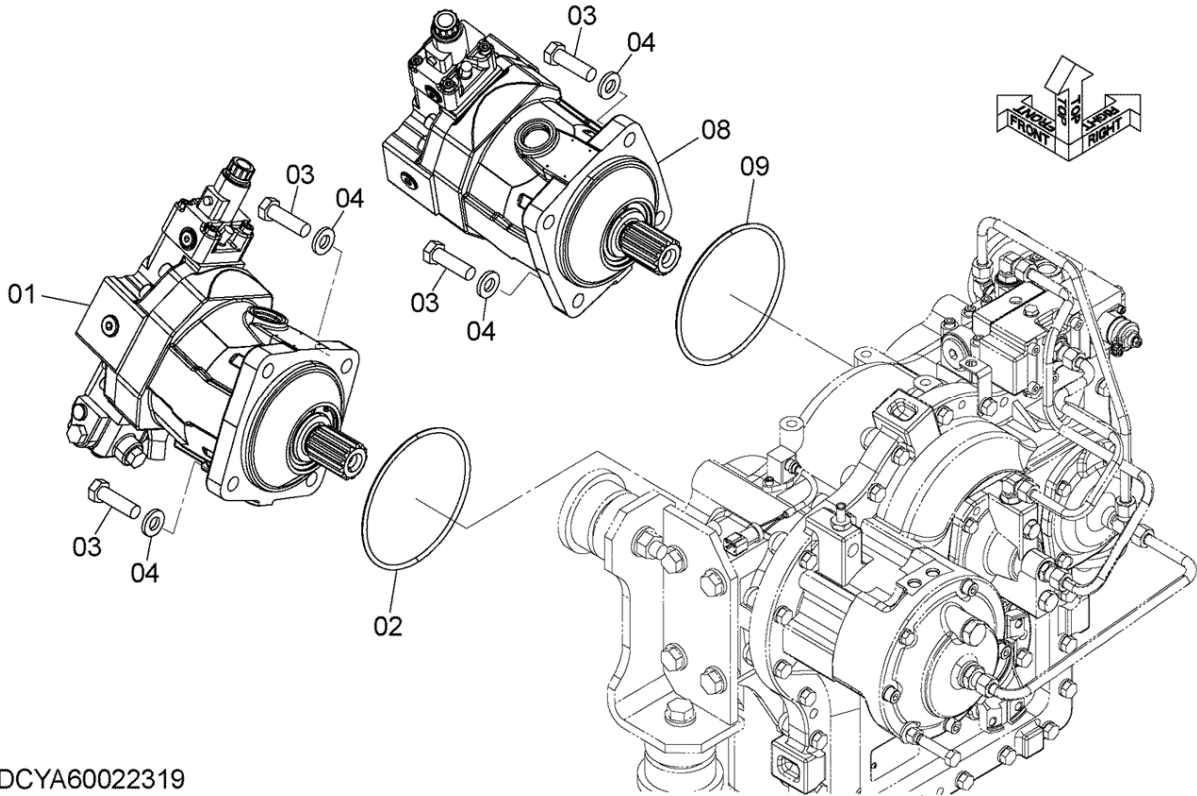
DCYA60043529

HST MOTOR
HSTモータ

Applicable Model (適用機種): -

Mark (記号): -

Serial No. (適用号機): -



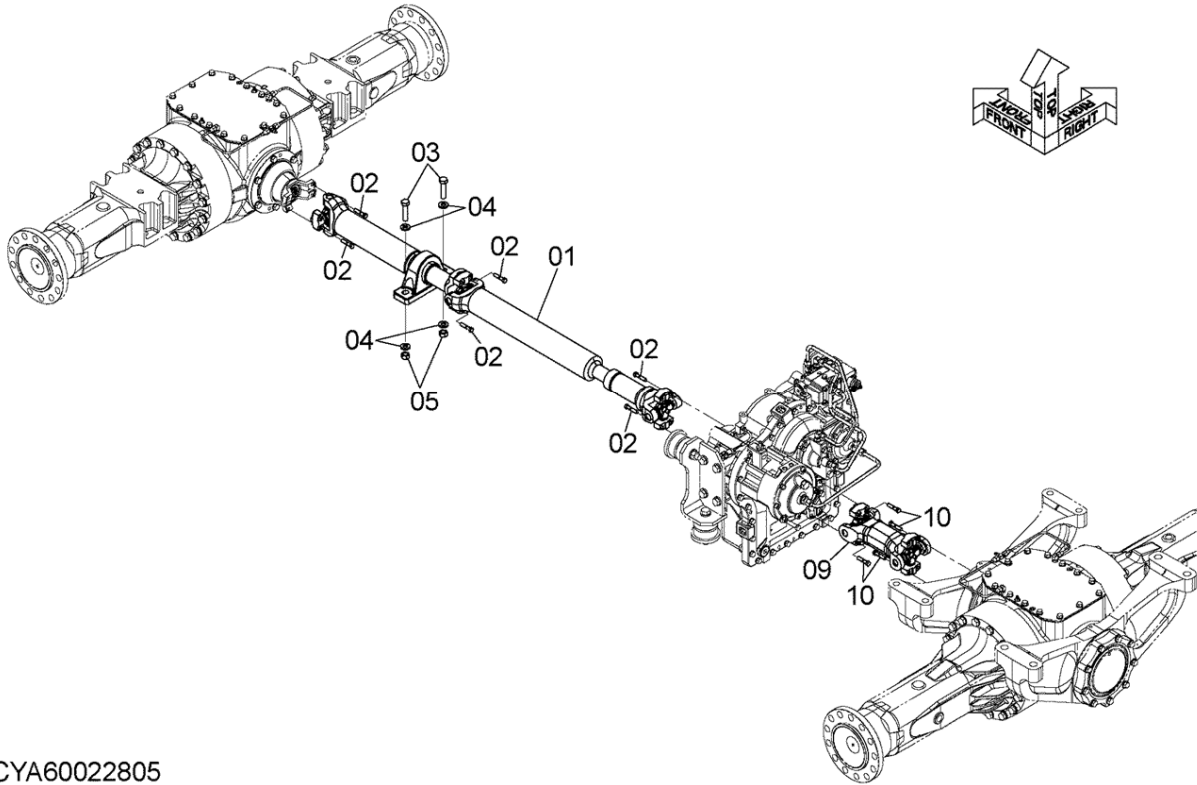
DCYA60022319

PROPELLER SHAFT プロペラシャフト

Applicable Model (適用機種): -

Mark (記号): -

Serial No. (適用号機): -



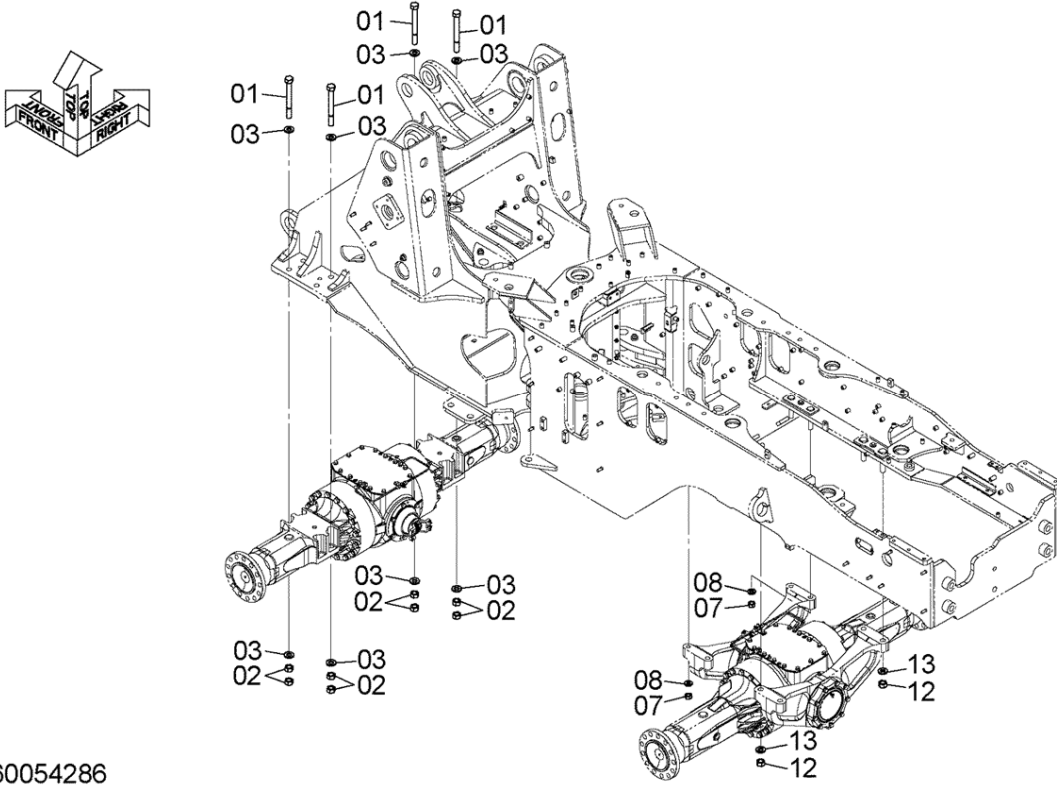
DCYA60022805

AXLE SUPPORT (1) アクスル取付部品 (1)

Applicable Model (適用機種): -

Mark (記号): -

Serial No. (適用号機): -



DCYA60054286

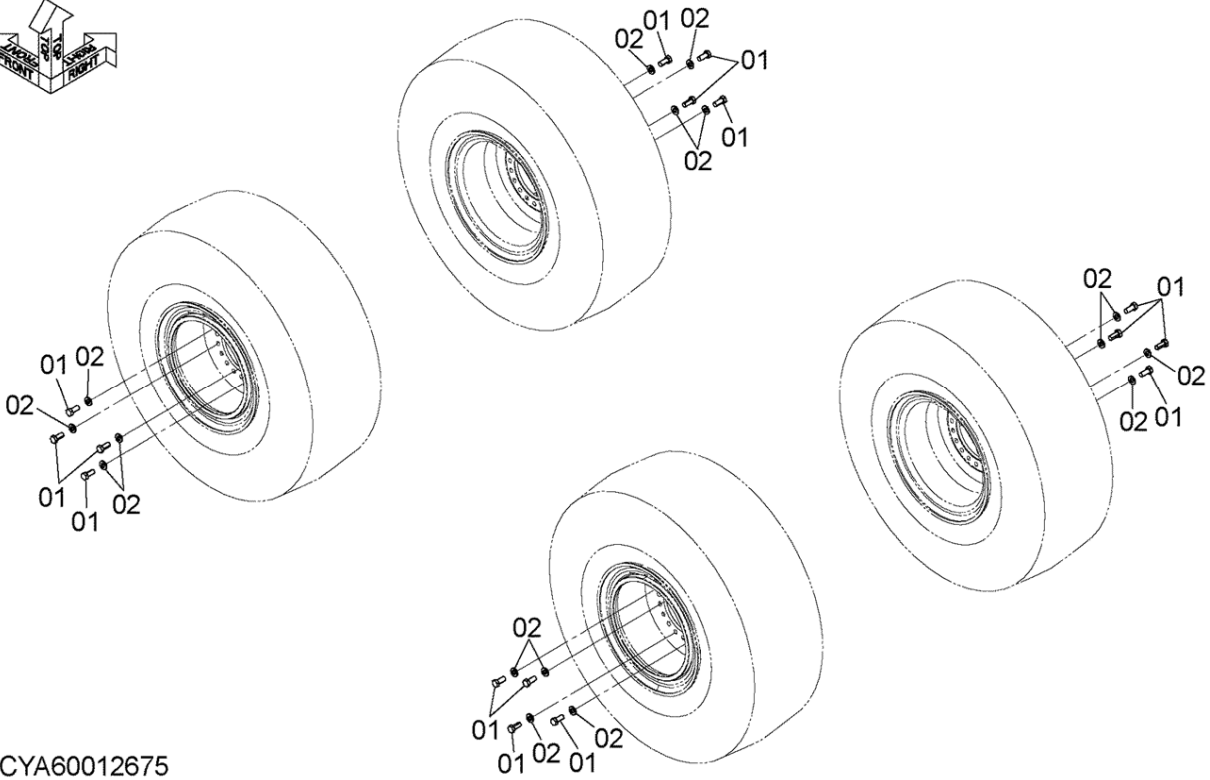
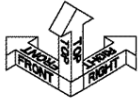
TIRE SUPPORT

タイヤ取付部品

Applicable Model (適用機種): -

Mark (記号): -

Serial No. (適用号機): -



DCYA60012675

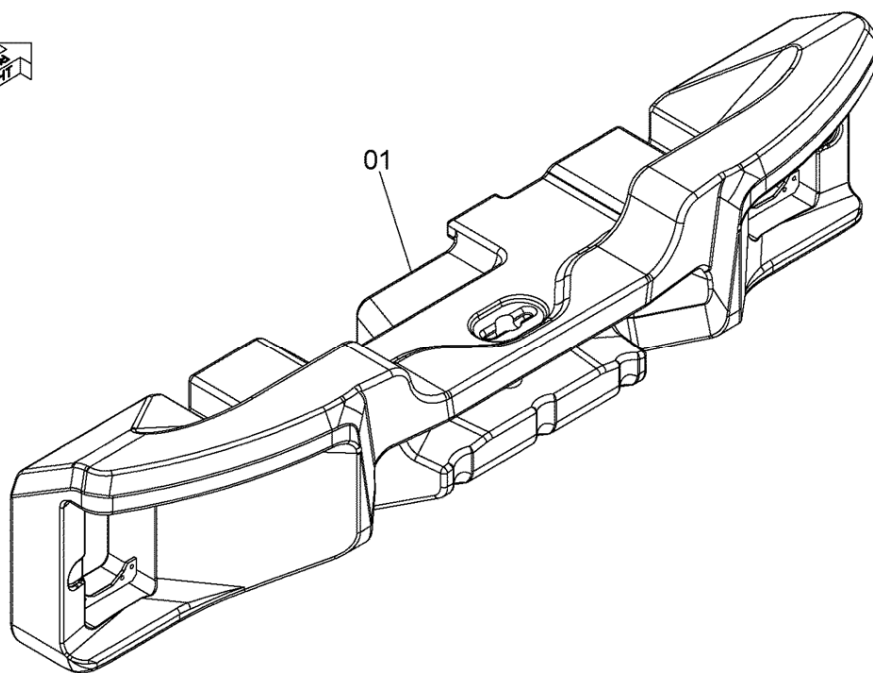
COUNTERWEIGHT

カウンタウエイト

Applicable Model (適用機種): -

Mark (記号): -

Serial No. (適用号機): -



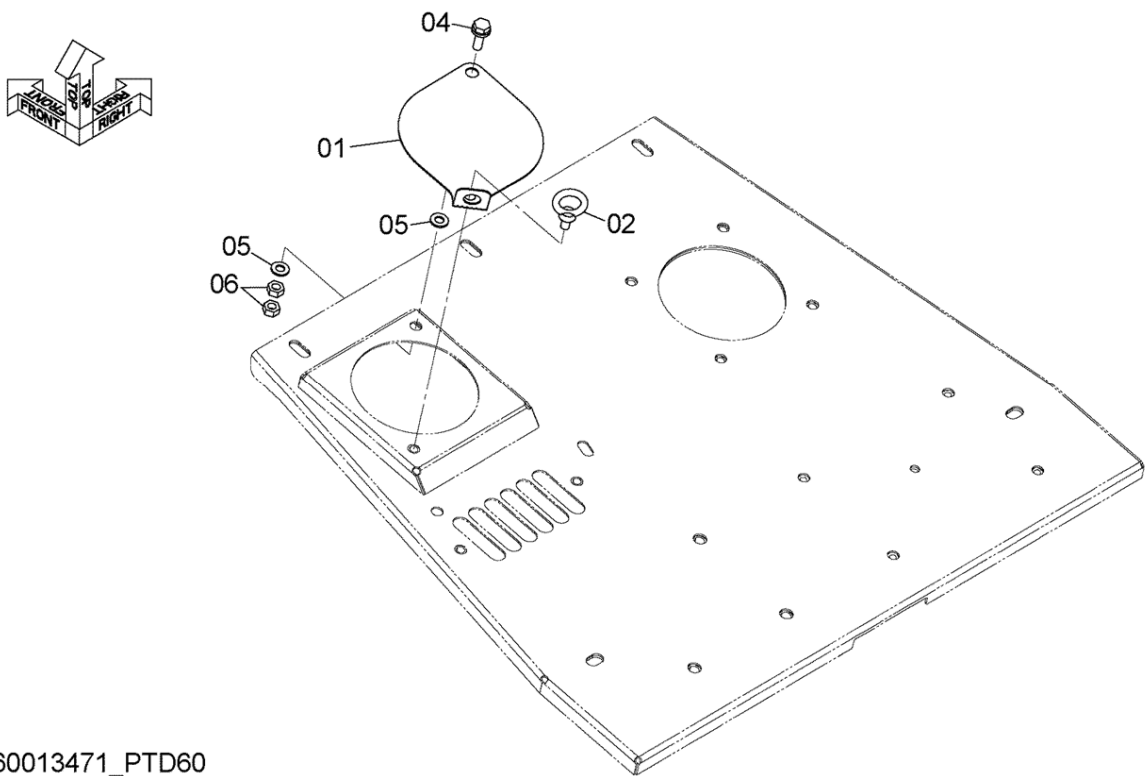
DCYA60050803

RADIATOR COVER (CAP) ラジエータカバー (キャップ)

Applicable Model (適用機種): -

Mark (記号): -

Serial No. (適用号機): -



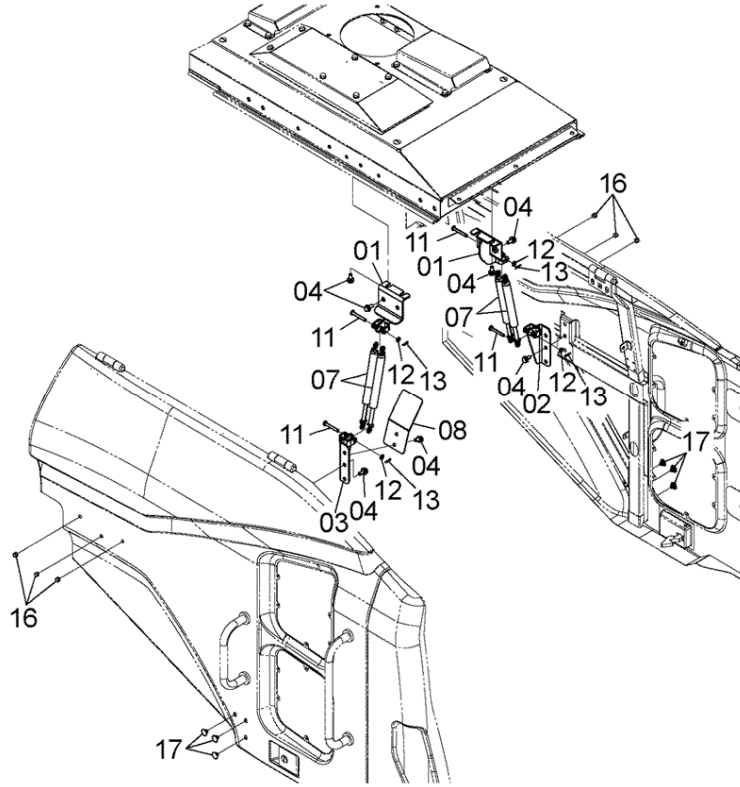
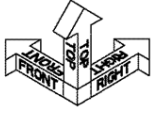
DCYA60013471_PTD60

GAS SPRING ガスプリング

Applicable Model (適用機種): -

Mark (記号): -

Serial No. (適用号機): -



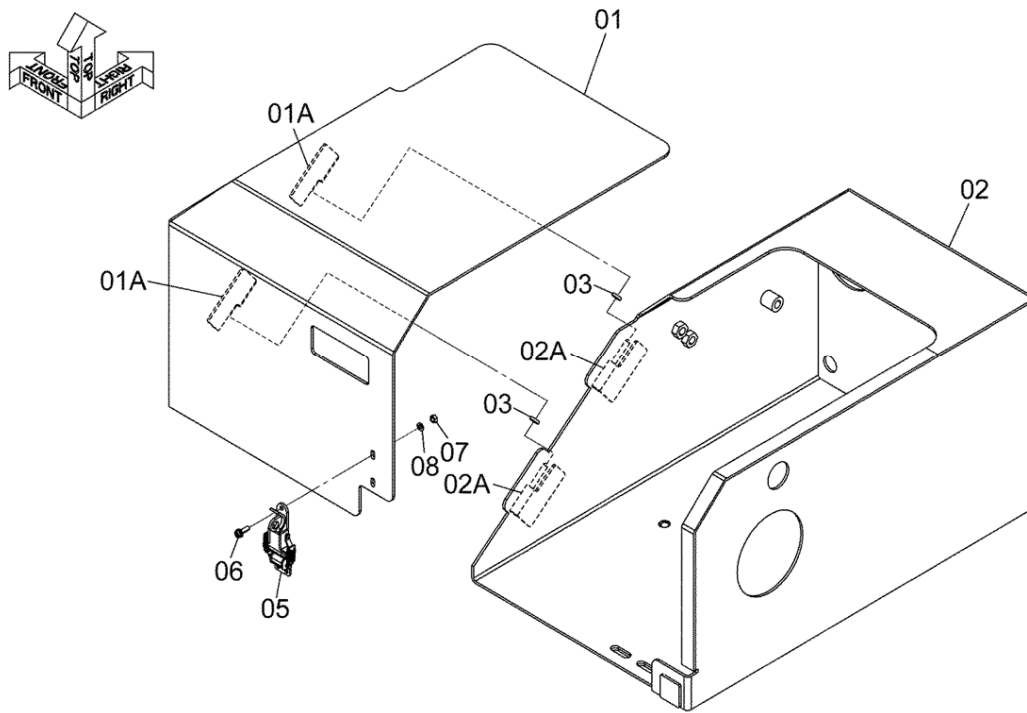
DCYA60043898

BATTERY BOX (L) バッテリーボックス (左)

Applicable Model (適用機種): -

Mark (記号): -

Serial No. (適用号機): -



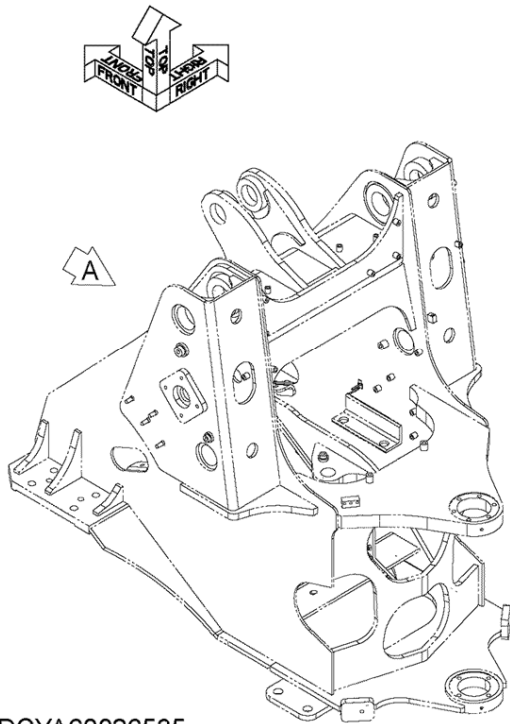
DCYA60044678

FRONT FRAME COVER フロントフレームカバー

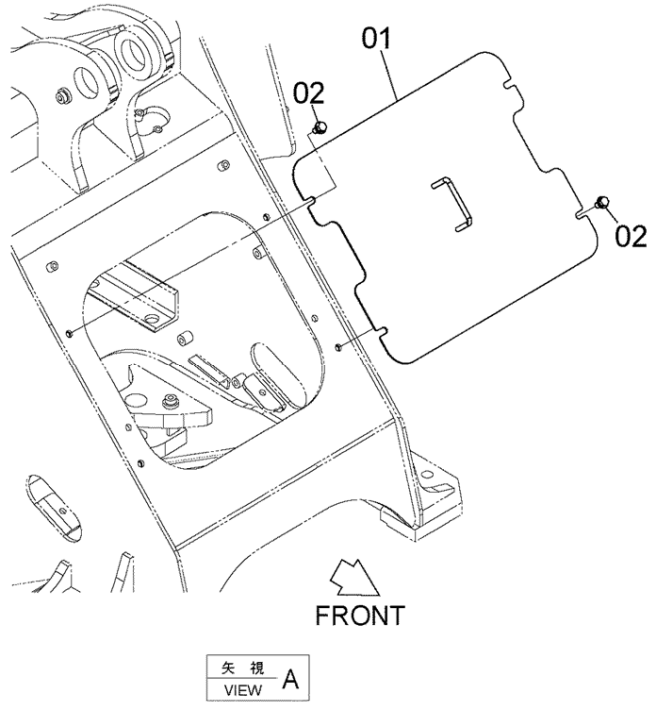
Applicable Model (適用機種): -

Mark (記号): -

Serial No. (適用号機): -



DCYA60026535



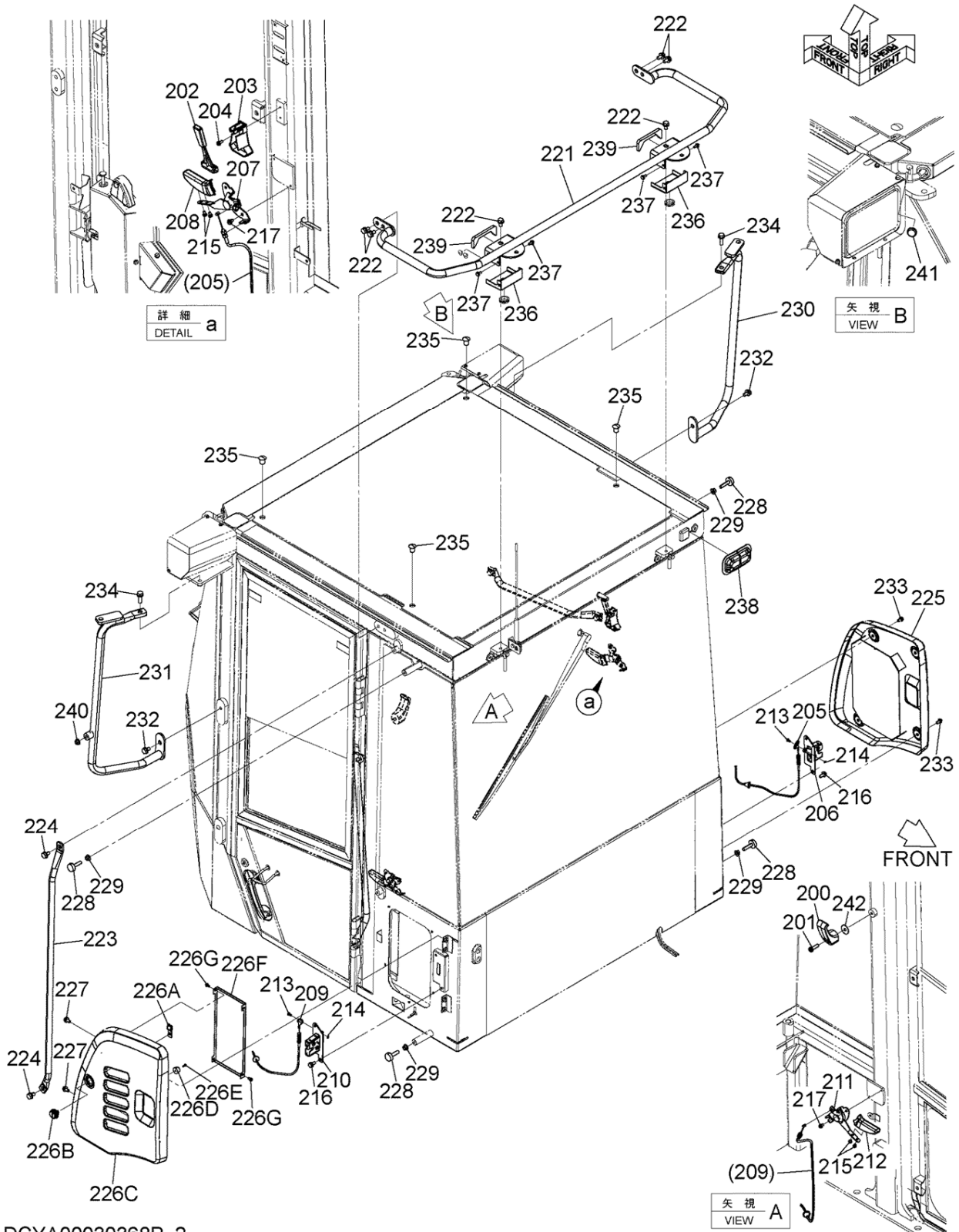
CAB (2)

キャブ (2)

Applicable Model (適用機種): -

Mark(記号): -

Serial No. (適用号機): -



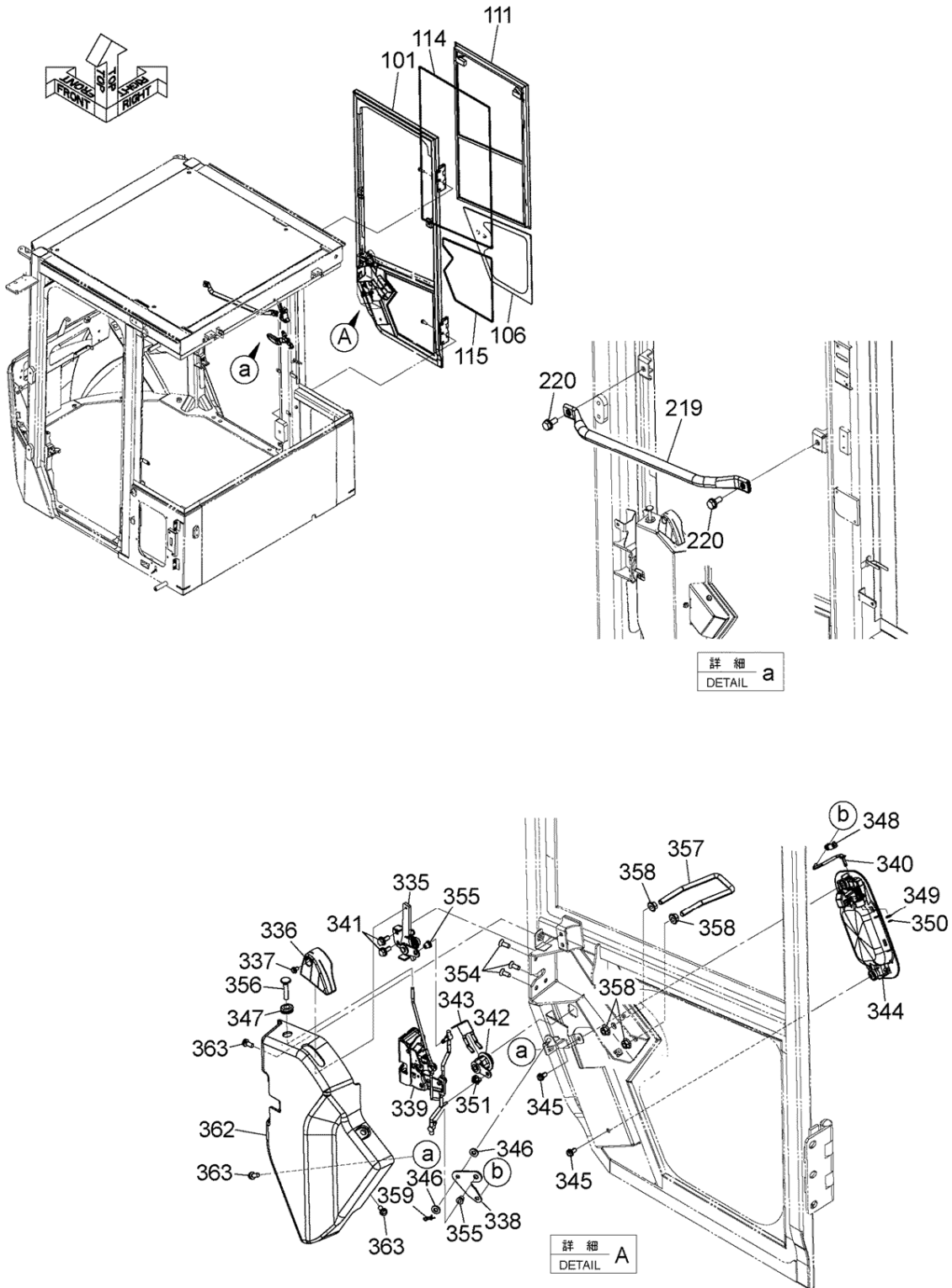
DCYA00030368B_2

DOOR (R)
 ドア (右)

Applicable Model (適用機種): -

Mark (記号): -

Serial No. (適用号機): -



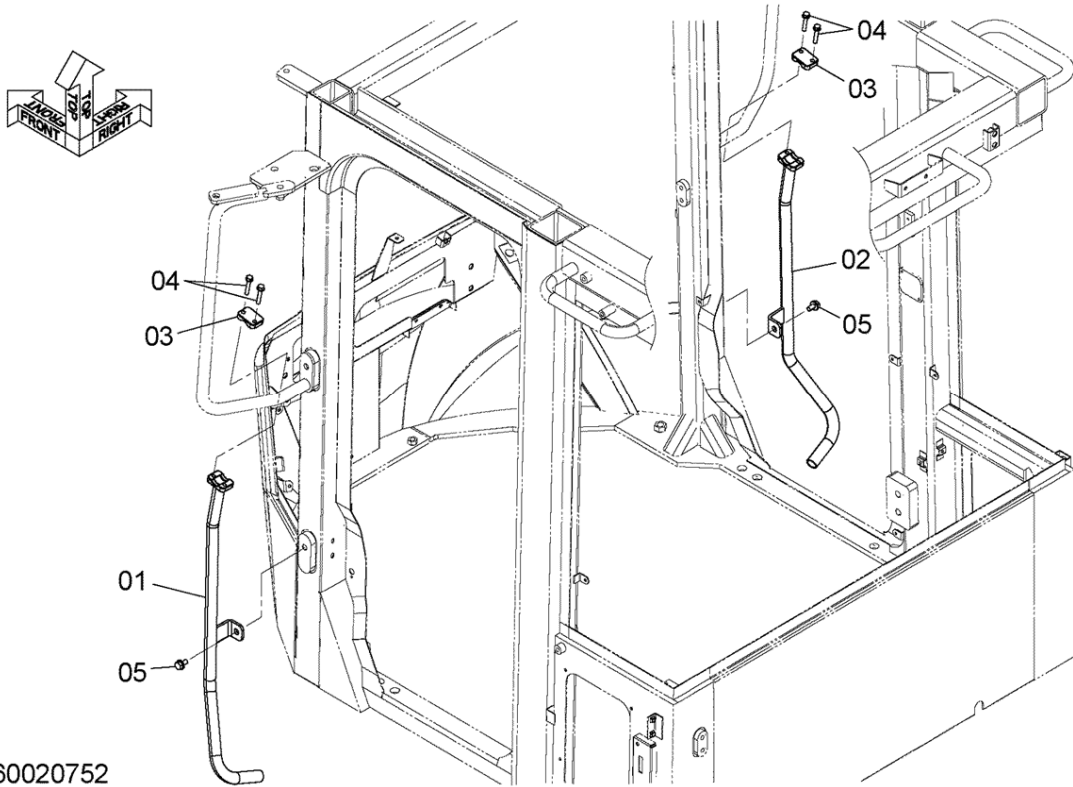
DCXA00000271_NDF61

HANDRAIL ハンドレール

Applicable Model (適用機種): -

Mark (記号): -

Serial No. (適用号機): -



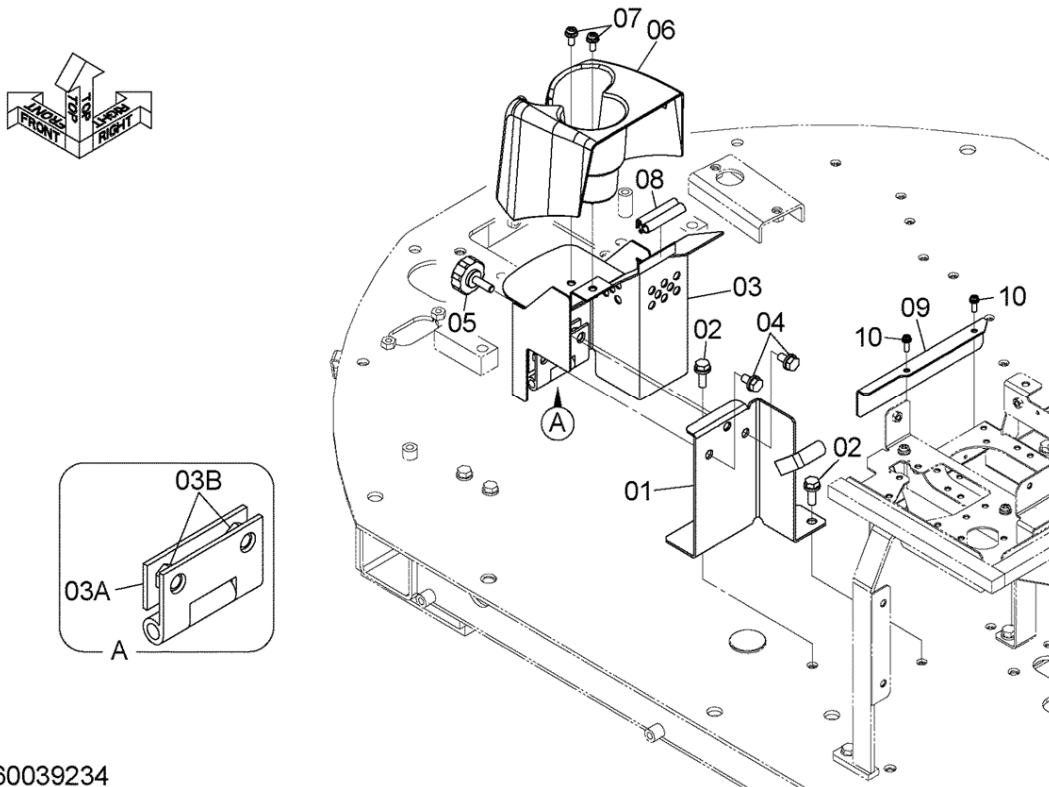
DCYA60020752

FLOOR PARTS (DRINK HOLDER) フロアパーツ (ドリンクホルダ)

Applicable Model (適用機種): -

Mark (記号): -

Serial No. (適用号機): -



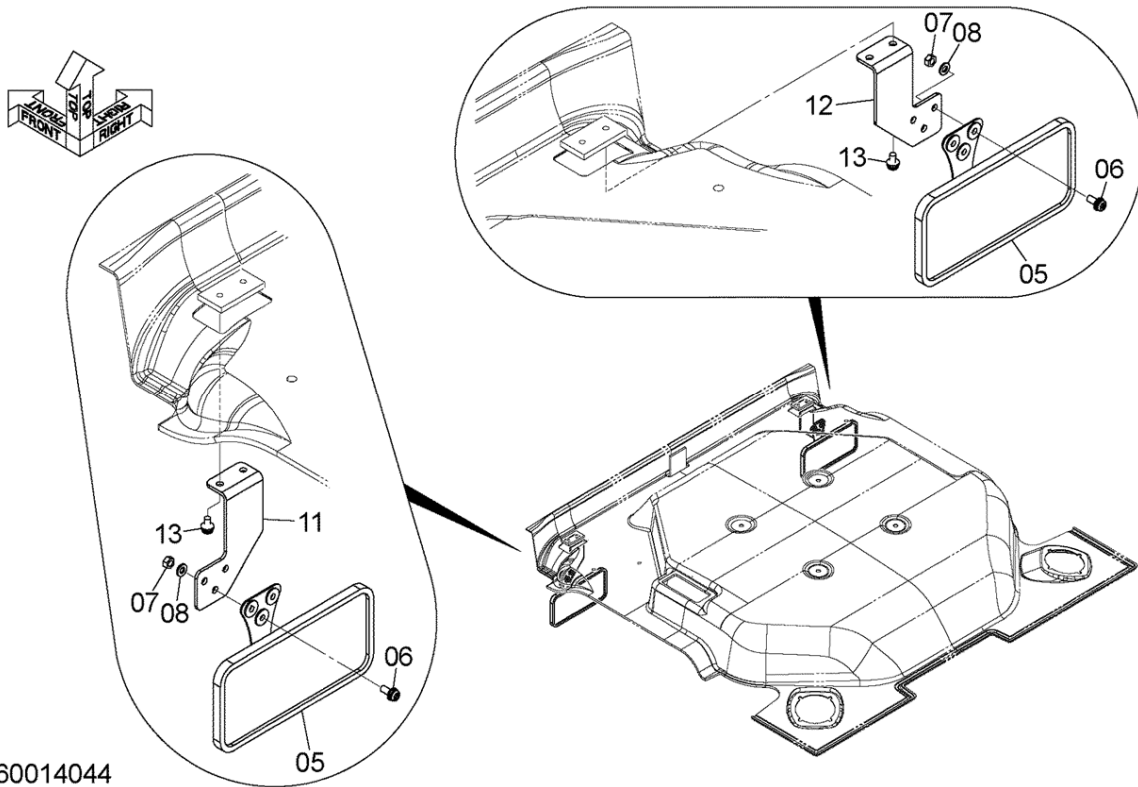
DCYA60039234

ROOM MIRROR ルームミラー

Applicable Model (適用機種): -

Mark (記号): -

Serial No. (適用号機): -



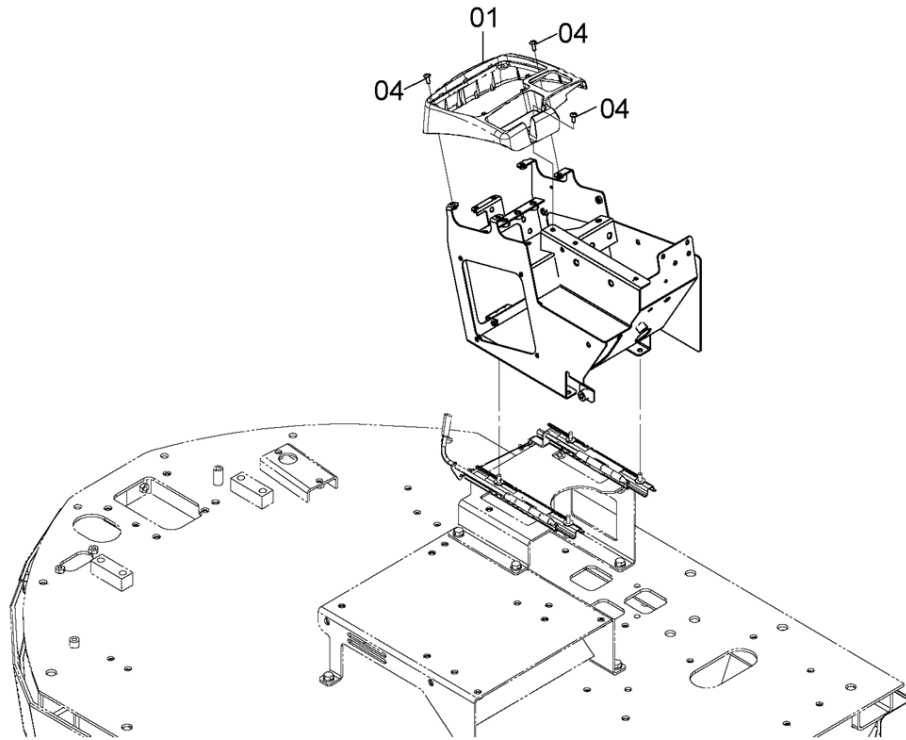
DCYA60014044

RIGHT CONSOLE (2) 右コンソール (2)

Applicable Model (適用機種): -

Mark (記号): -

Serial No. (適用号機): -



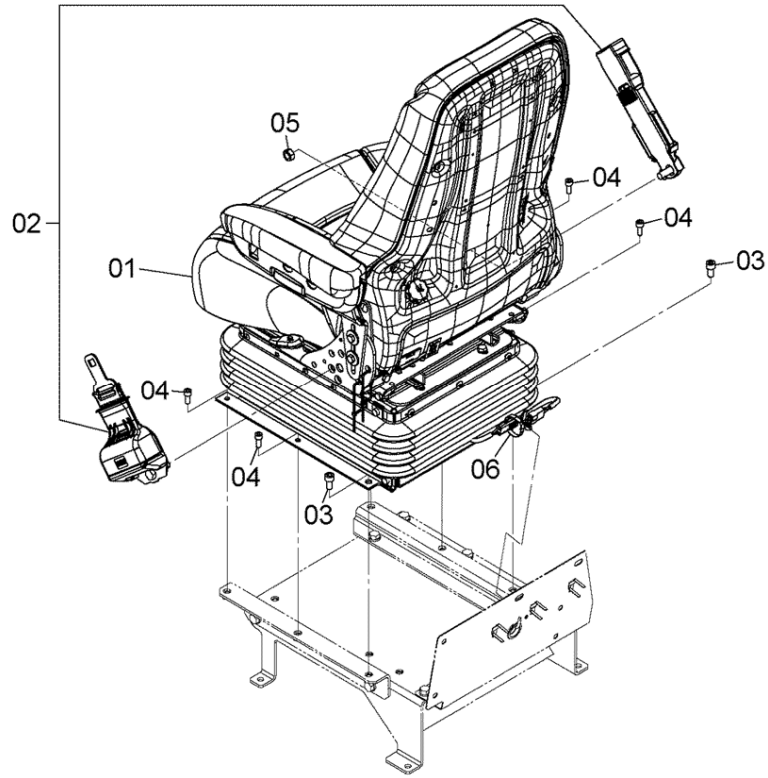
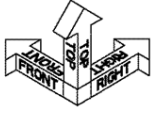
DCYA60011929A

AIR SUSPENSION SEAT PARTS (SEARS)
エアサスペンションシート用品 (SEARS)

Applicable Model (適用機種): -

Mark (記号): -

Serial No. (適用号機): -



DCYA60029253_NEK50

CLICK HERE TO **DOWNLOAD** THE COMPLETE MANUAL

- Thank you very much for reading the preview of the manual.
- You can download the complete manual from: www.heydownloads.com by clicking the link below



- Please note: If there is no response to CLICKING the link, please download this PDF first and then click on it.

CLICK HERE TO **DOWNLOAD** THE COMPLETE MANUAL

AIR CONDITIONER (2)
 エアコンディショナ (2)

Applicable Model (適用機種): -

Mark(記号): -

Serial No. (適用号機): -

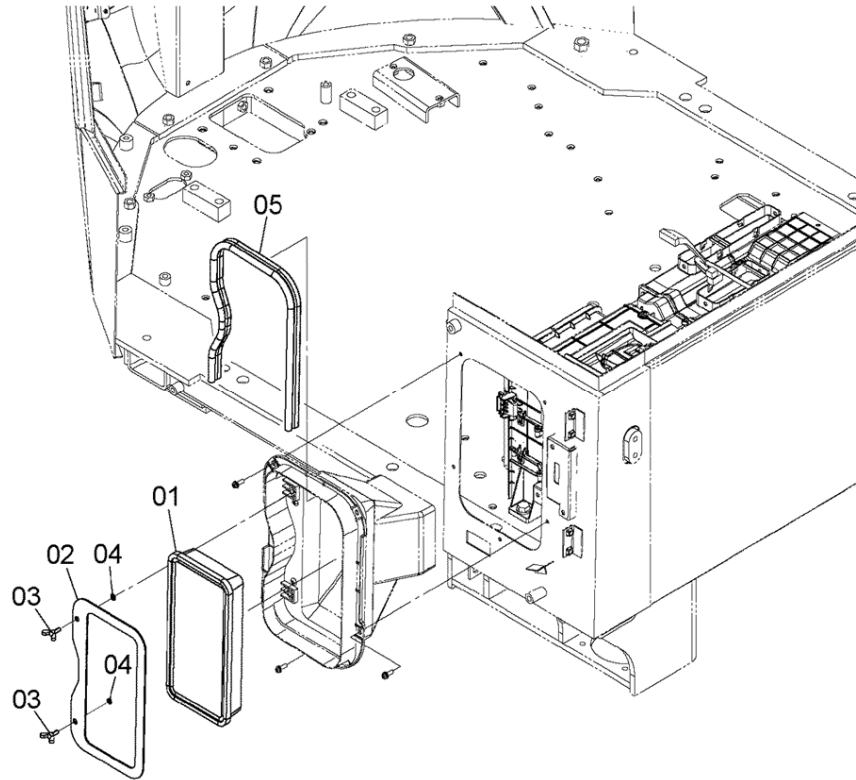
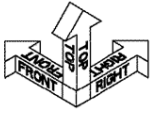
ITEM 符号	PART NO. 部品番号	PART NAME	部 品 名	Q' TY 数量	S. C サービ ス コート	SERIAL NO. 適用号機	ICA 互 換 性	REPLACEABLE PART 代 替 部 品	
								PART NO. 部品番号	Q' TY 数量
54	YA00049193	BRACKET	ブ ラケ ッ ト	1		005001-			
56	YA40035287	JOINT, PIPE	ジ ョ イ ン ト, パ イ プ	1		005001-			
57	XV00003897	HOSE, WATER	ホ ー ス, ウ ォ ー タ	1		005001-			
58	4514699	CLAMP, HOSE	ク ラ ン プ, ホ ー ス	4		005001-			
59	4190277	CLIP	ク リ ッ プ	6		005001-			
60	J271065	BOLT, W/WASHER	ボ ル ト (ワ ッ シ ャ 付)	1	D	005001-			
61	4630956	HOSE, WATER	ホ ー ス, ウ ォ ー タ	1		005001-			
62	4681747	HOSE, WATER	ホ ー ス, ウ ォ ー タ	1		005001-			
63	4514699	CLAMP, HOSE	ク ラ ン プ, ホ ー ス	2		005001-			
64	4190277	CLIP	ク リ ッ プ	1		005001-			

AIR FILTER エアフィルタ

Applicable Model (適用機種): -

Mark (記号): -

Serial No. (適用号機): -



DCYA60004112

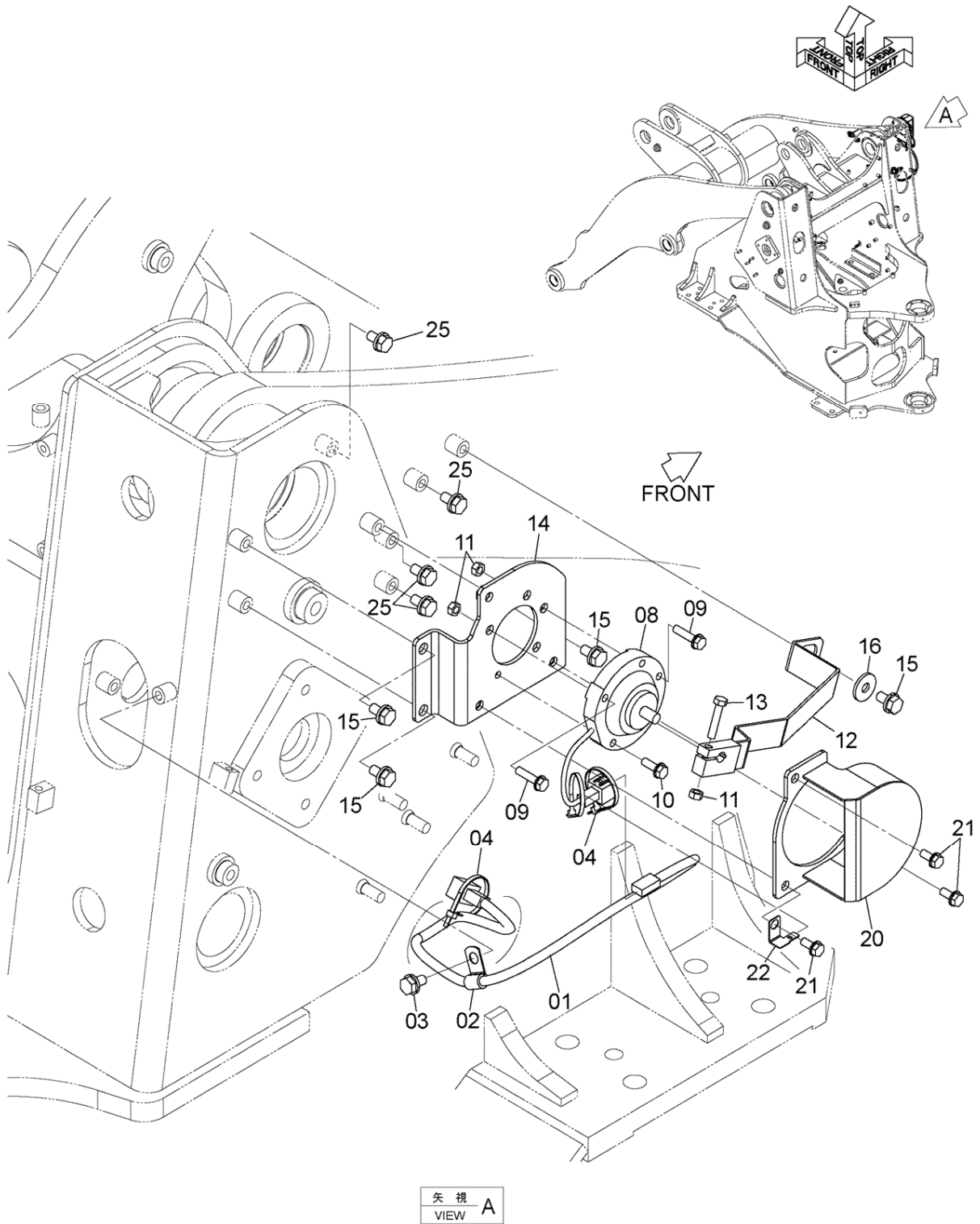
LIFT ARM AUTO LEVELER SYSTEM

リフトアームオートレベラシステム

Applicable Model (適用機種): -

Mark (記号): -

Serial No. (適用号機): -



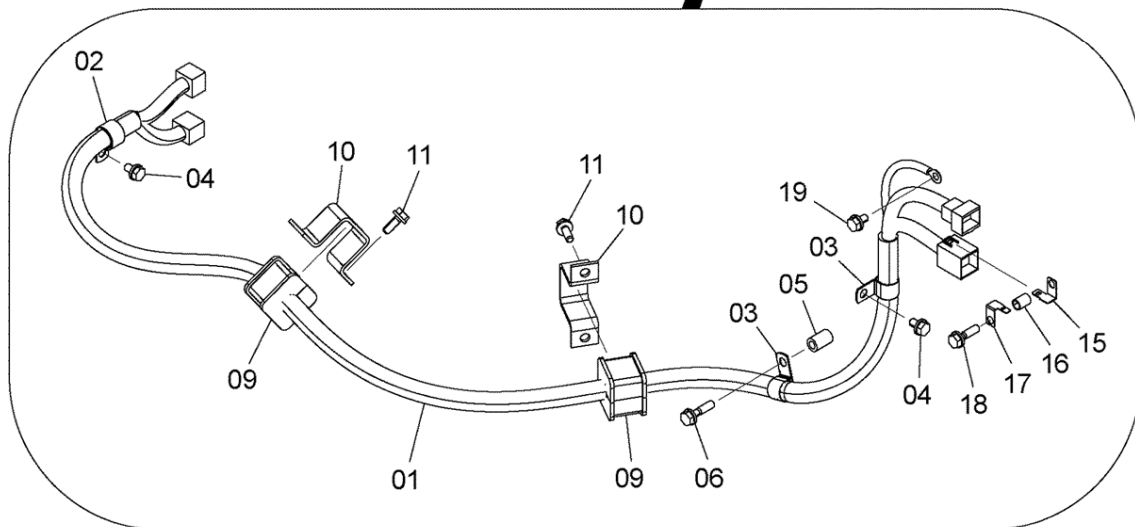
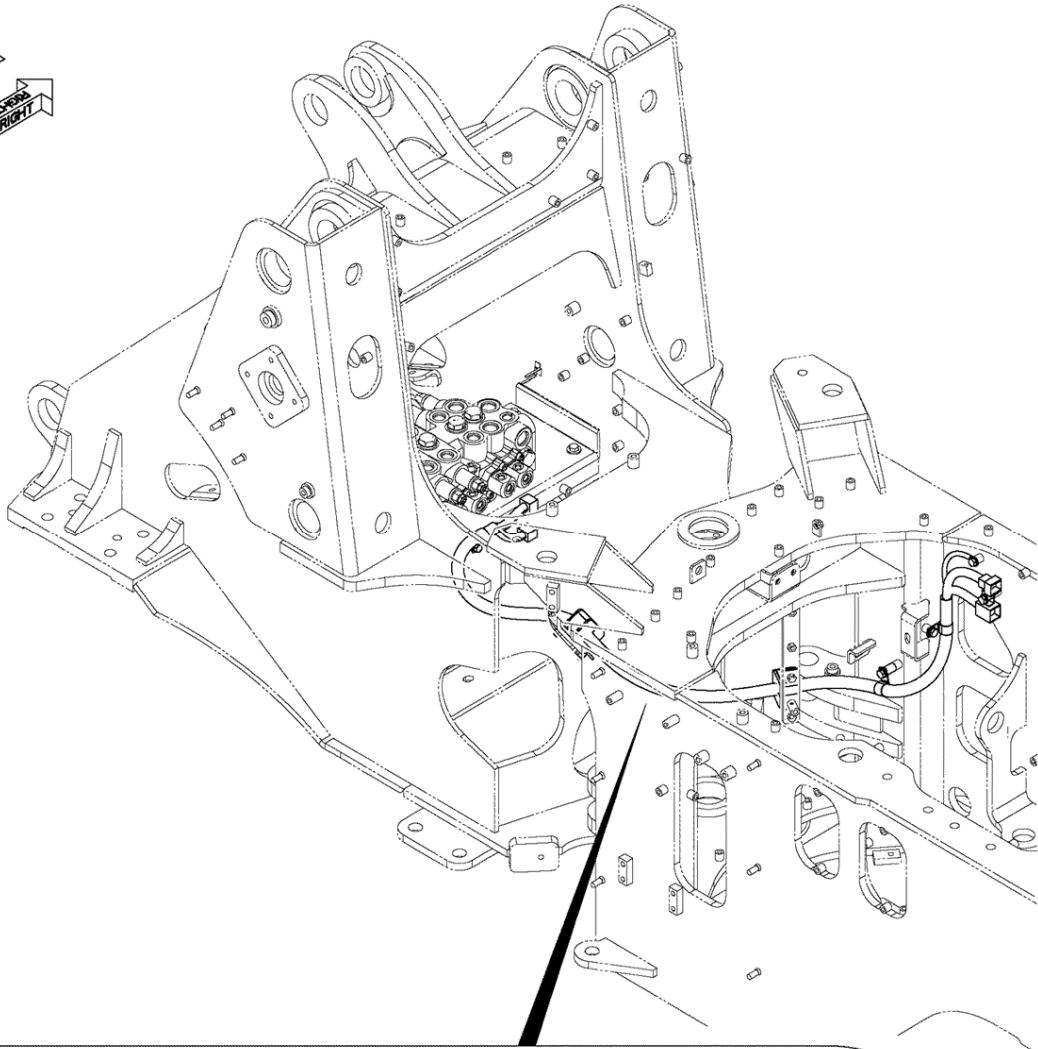
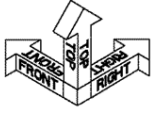
DCYA60022283

ELECTRIC PARTS (REAR) (1) 電気部品 (リア) (1)

Applicable Model (適用機種): -

Mark (記号): -

Serial No. (適用号機): -



DCYA60049047

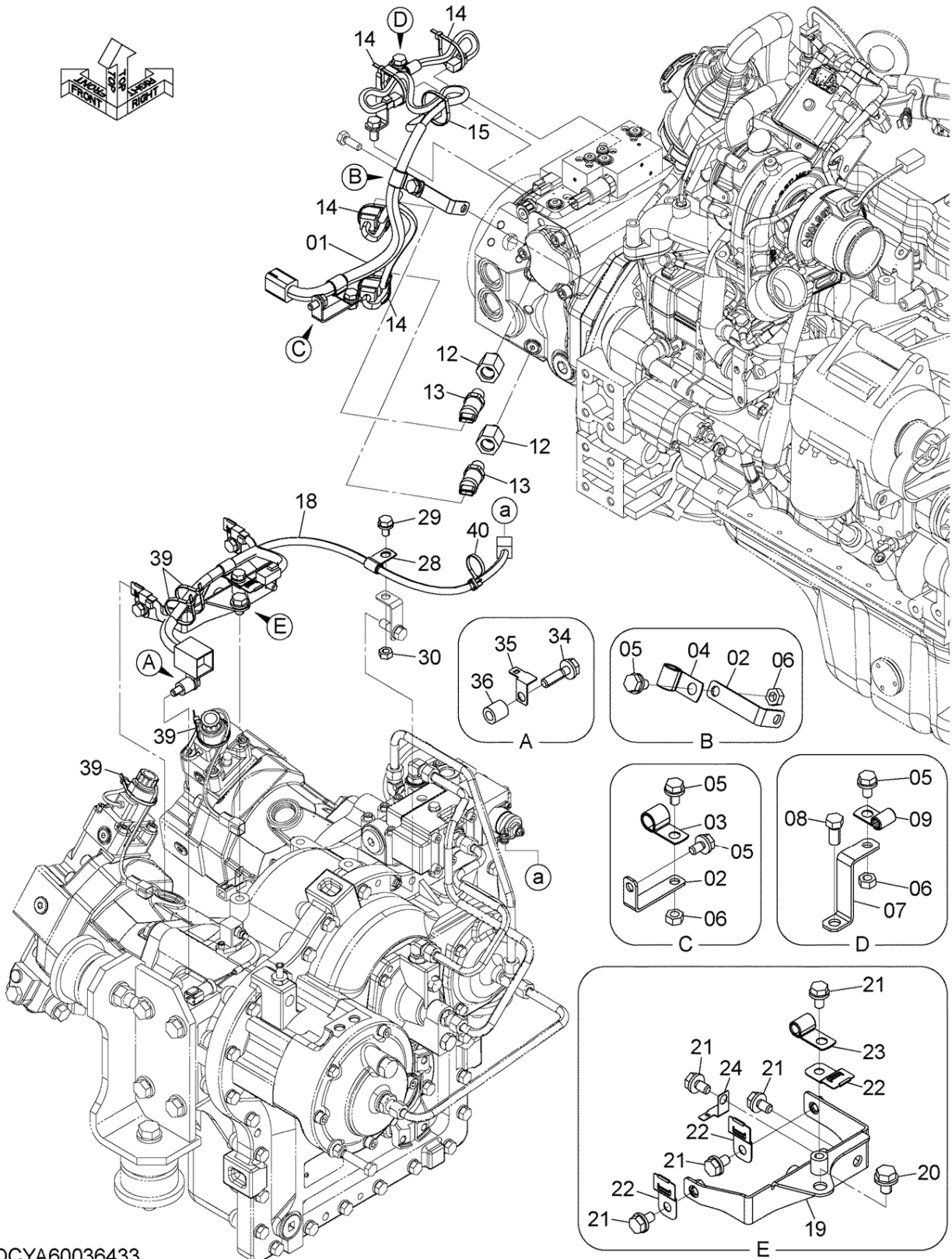
ELECTRIC PARTS (REAR) (6)

電気部品 (リア) (6)

Applicable Model (適用機種): -

Mark (記号): -

Serial No. (適用号機): -



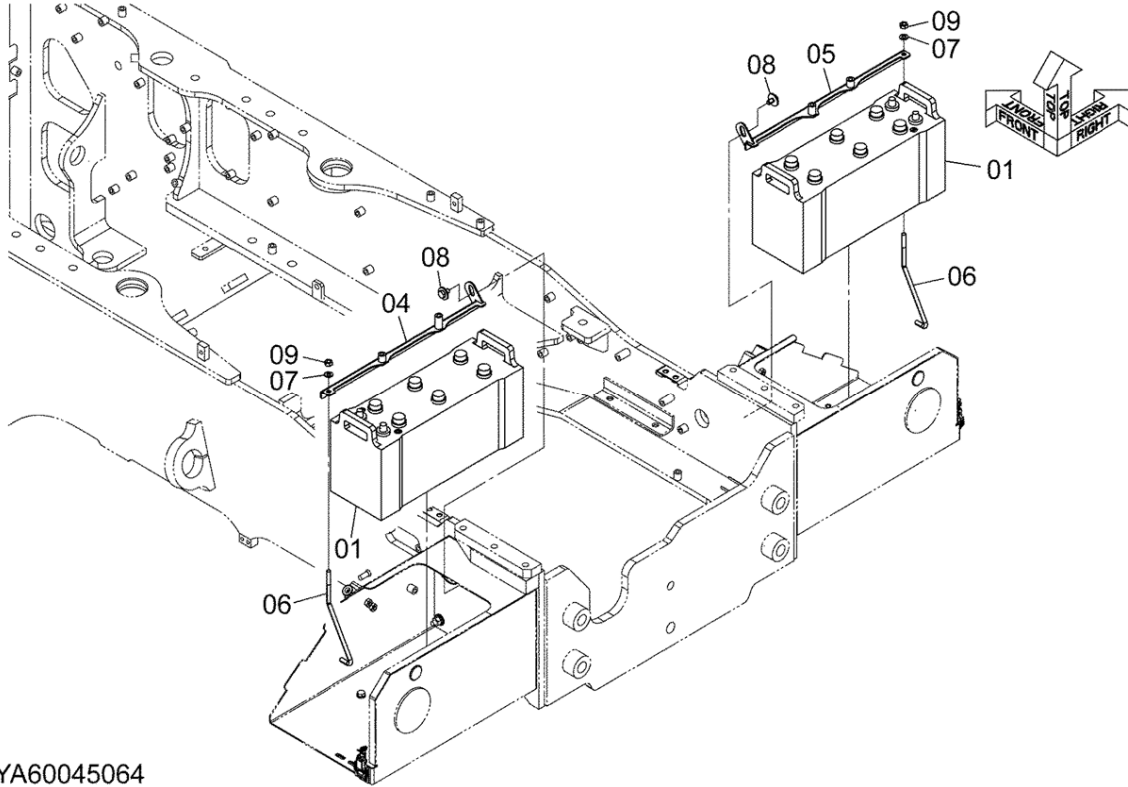
DCYA60036433

BATTERY バッテリー

Applicable Model (適用機種): -

Mark (記号): -

Serial No. (適用号機): -



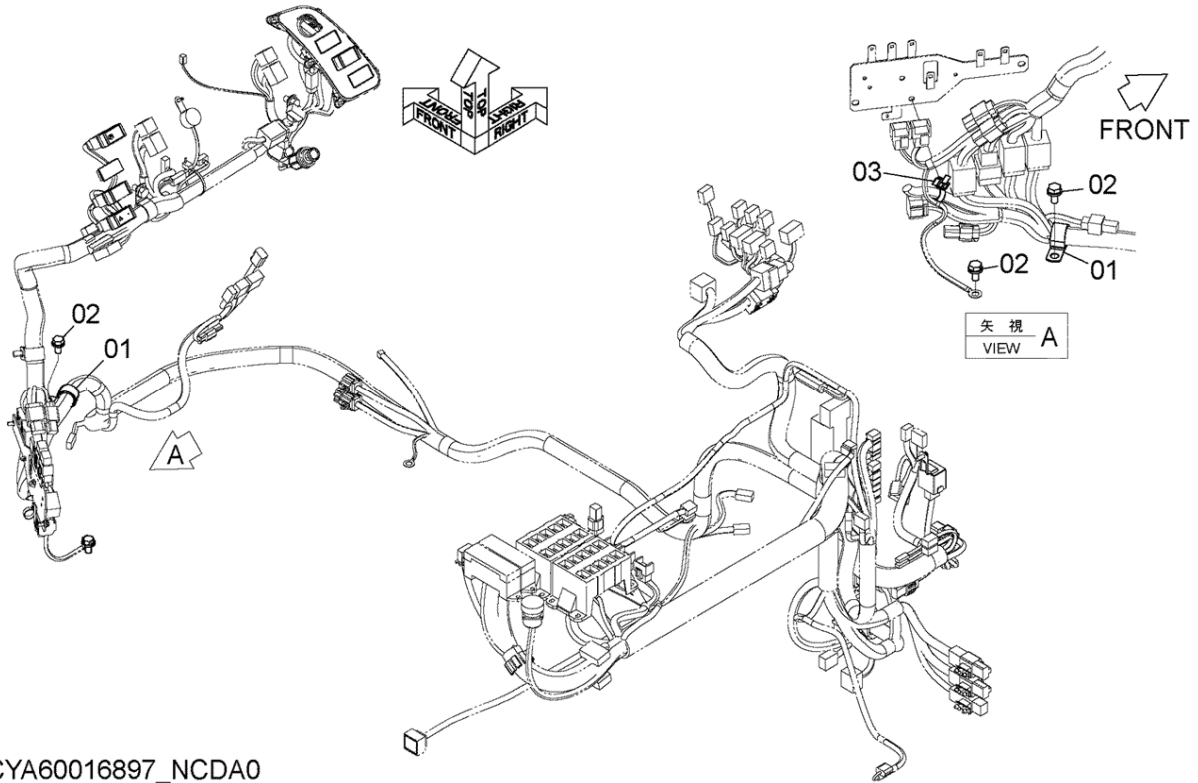
DCYA60045064

ELECTRIC PARTS (FRONT CONSOLE) (3)
電気部品 (フロントコンソール) (3)

Applicable Model (適用機種): -

Mark (記号): -

Serial No. (適用号機): -



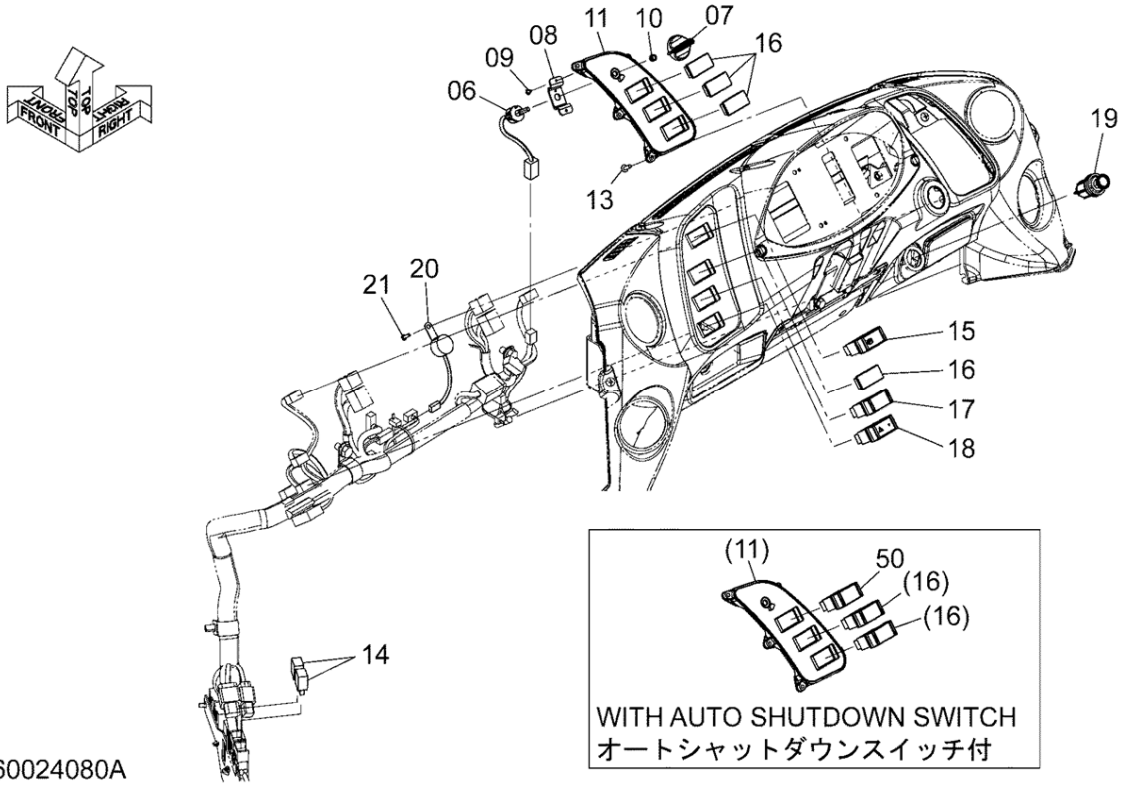
DCYA60016897_NCDA0

ELECTRIC PARTS (STEERING COLUMN) 電気部品 (ステアリングコラム)

Applicable Model (適用機種): -

Mark (記号): -

Serial No. (適用号機): -

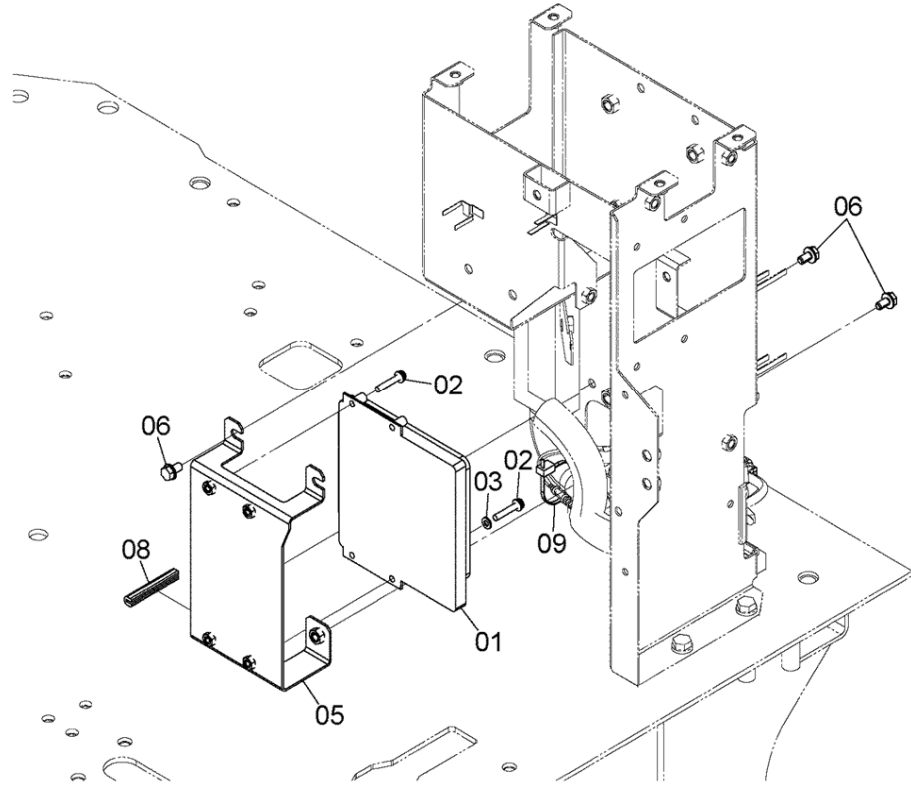


CONTROLLER (HST) コントローラ (HST)

Applicable Model (適用機種): -

Mark (記号): -

Serial No. (適用号機): -



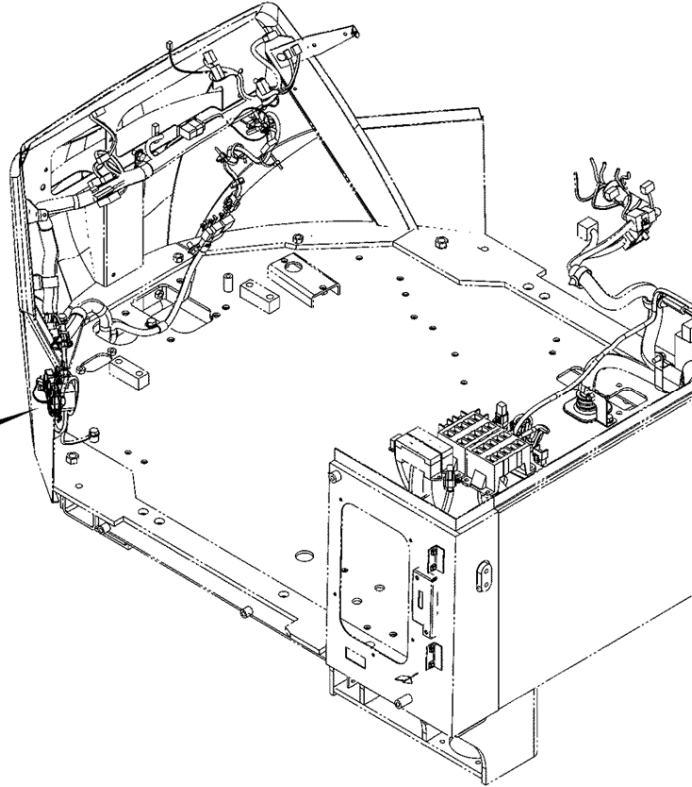
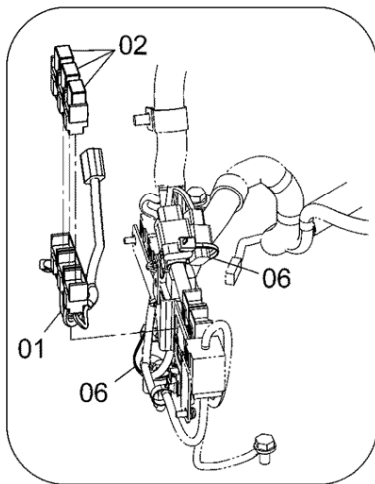
DCYA60049309

IDLE STOP PARTS アイドルストップ用品

Applicable Model (適用機種): -

Mark (記号): -

Serial No. (適用号機): -



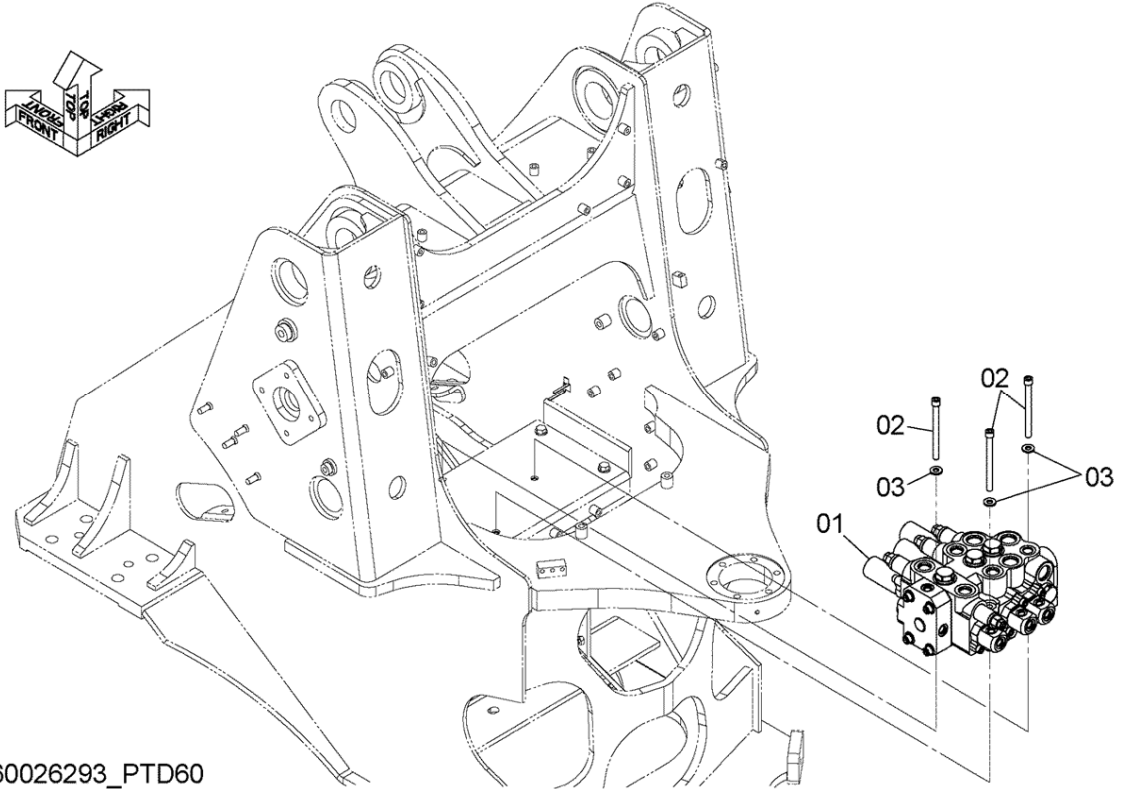
DCYA60004116A

CONTROL VALVE コントロールバルブ

Applicable Model (適用機種): -

Mark (記号): -

Serial No. (適用号機): -



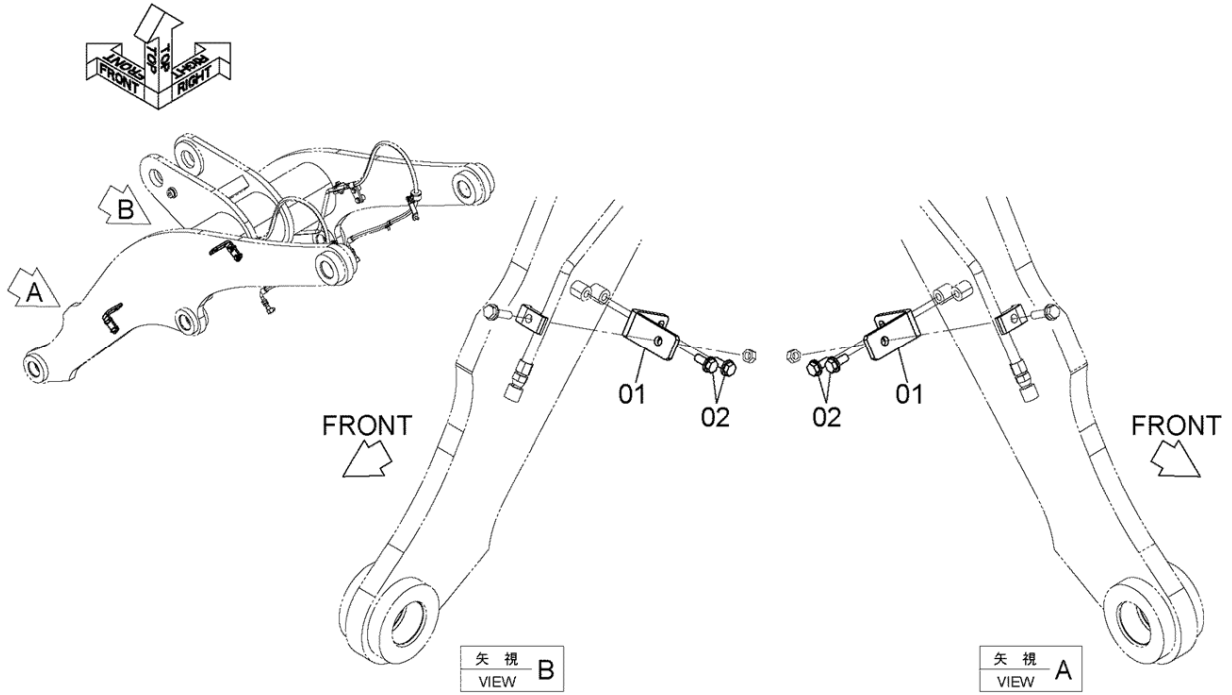
DCYA60026293_PTD60

MAIN PIPING (QUICK COUPLER) (WITHOUT 3 SPOOL, 4 SPOOL)
メイン配管 (クイックカップラ) (3連、4連不付)

Applicable Model (適用機種): -

Mark (記号): -

Serial No. (適用号機): -



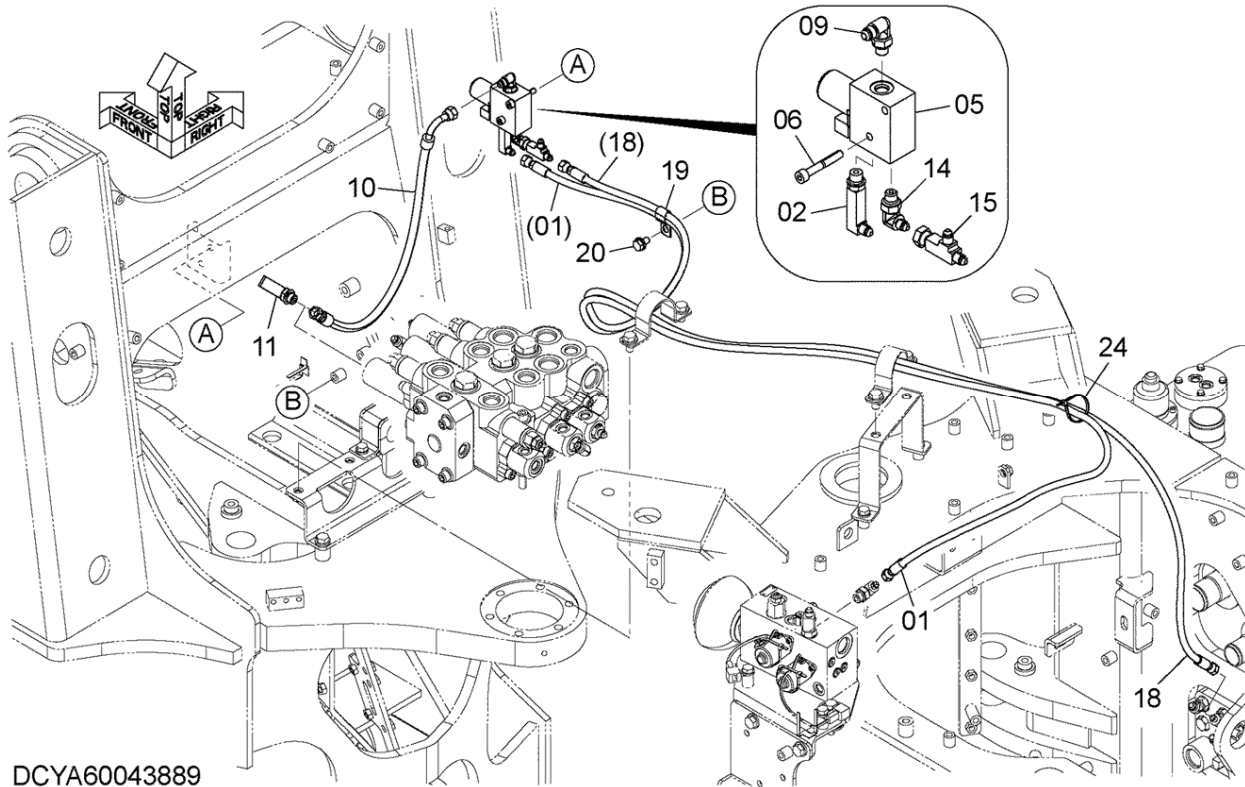
DCYA60028067

PILOT PIPING (4) パイロット配管 (4)

Applicable Model (適用機種): -

Mark (記号): -

Serial No. (適用号機): -



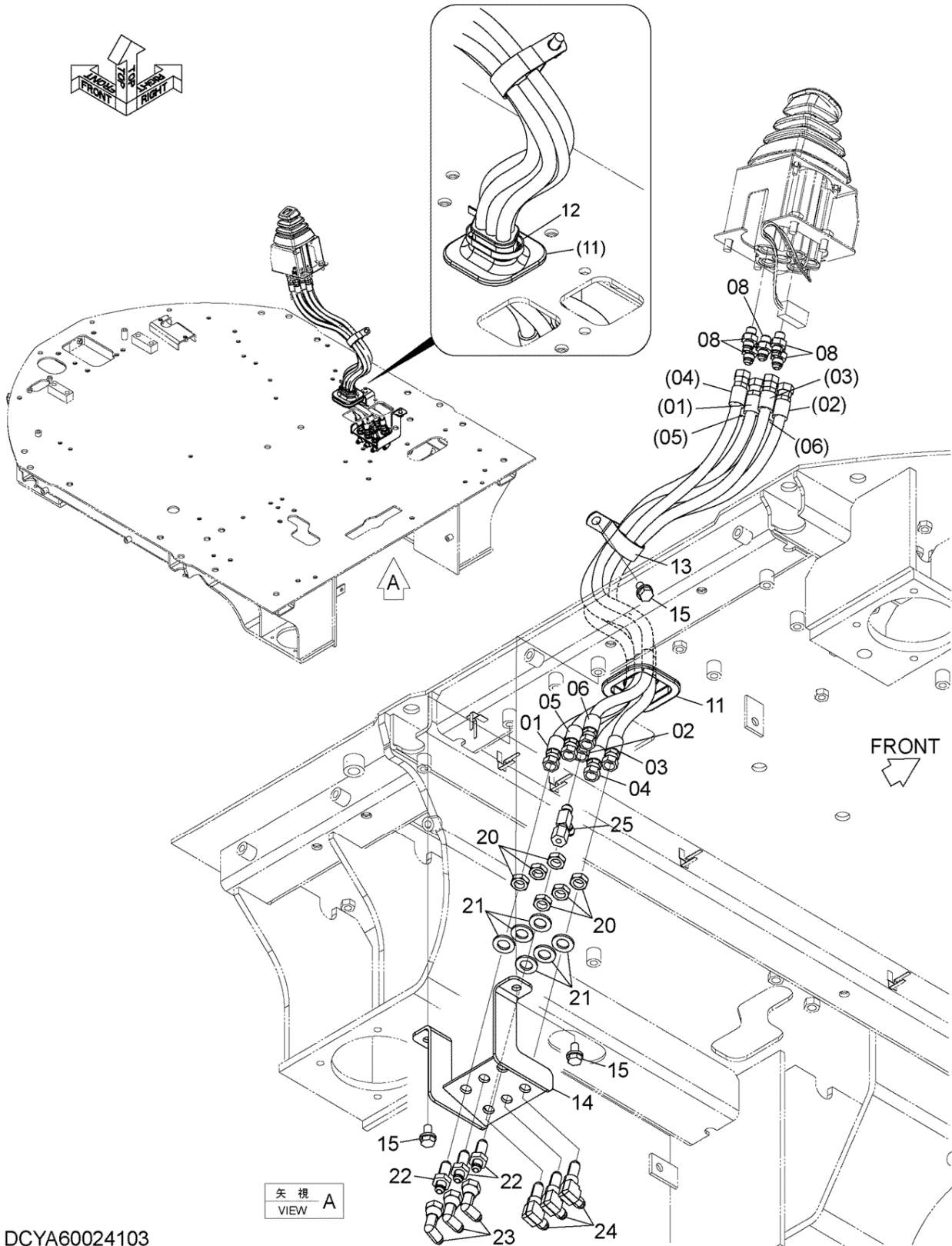
DCYA60043889

PILOT PIPING (MULTI-FUNCTION LEVER)
 パイロット配管 (マルチファンクションレバー)

Applicable Model (適用機種): -

Mark (記号): -

Serial No. (適用号機): -



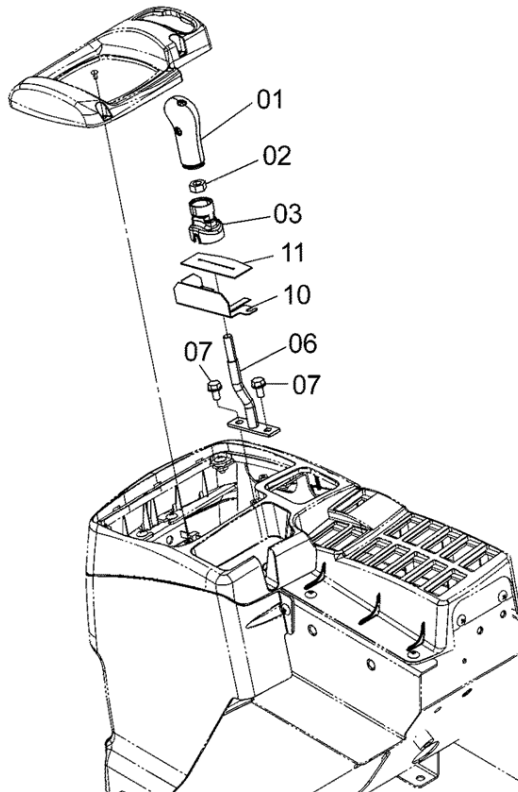
DCYA60024103

AUX LEVER (OUTSIDE) AUXレバー (アウトサイド)

Applicable Model (適用機種): -

Mark (記号): -

Serial No. (適用号機): -



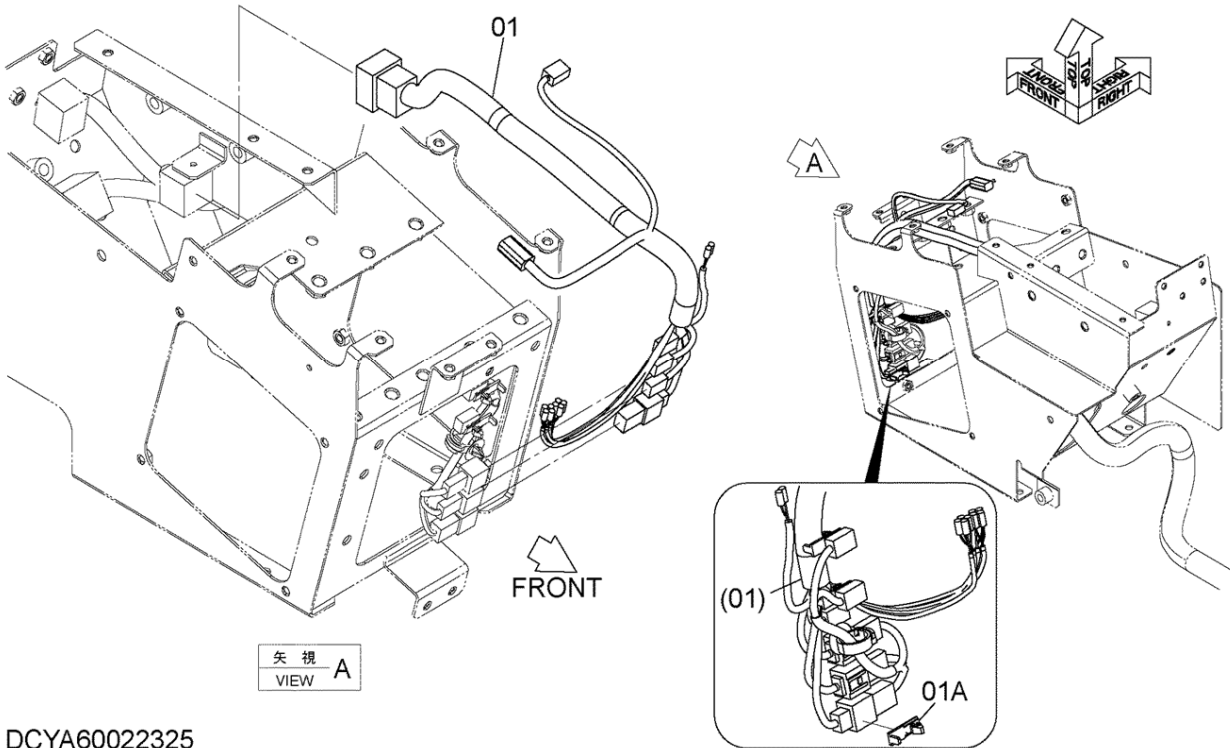
DCYA60004135A

WORK LEVER HARNESS (WITHOUT LIFT ARM AUTO LEVELER)
作業レバーハーネス (リフトアームオートレベラ不付)

Applicable Model (適用機種): -

Mark (記号): -

Serial No. (適用号機): -



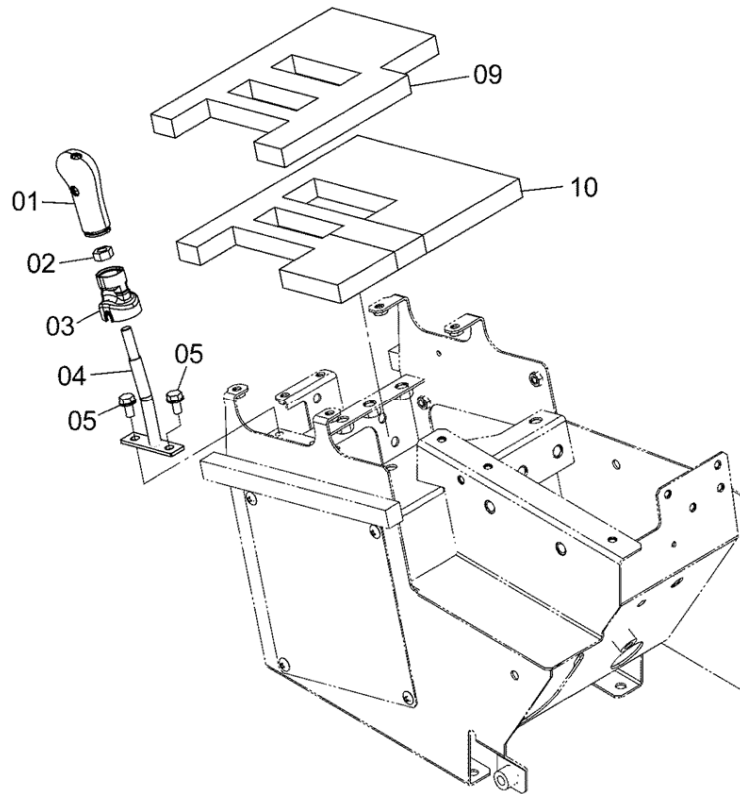
DCYA60022325

AUXILIARY LEVER (INSIDE, OUTSIDE)
AUXレバー (インサイド、アウトサイド)

Applicable Model (適用機種): -

Mark (記号): -

Serial No. (適用号機): -



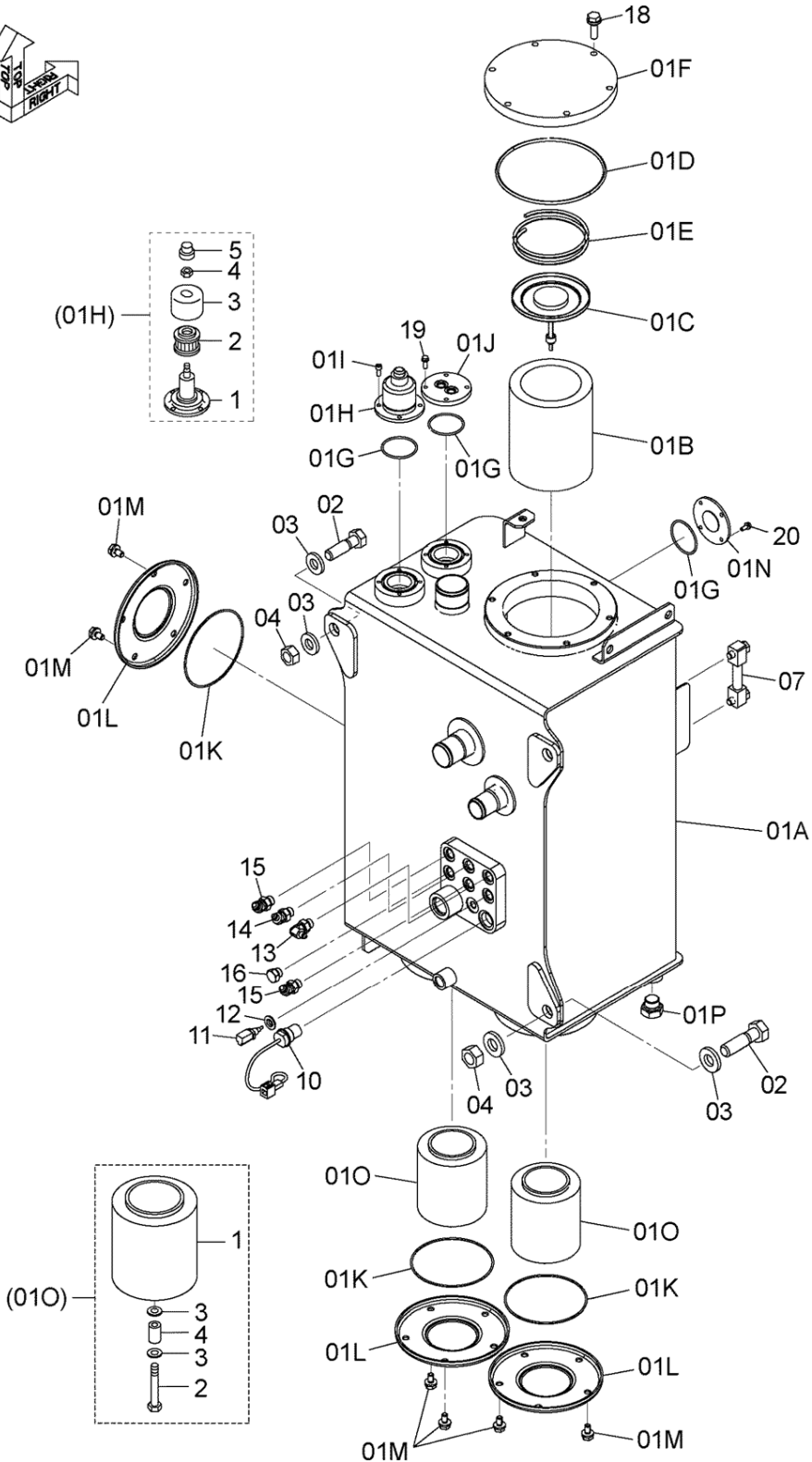
DCYA60004136A

OIL TANK オイルタンク

Applicable Model (適用機種): -

Mark (記号): -

Serial No. (適用号機): -



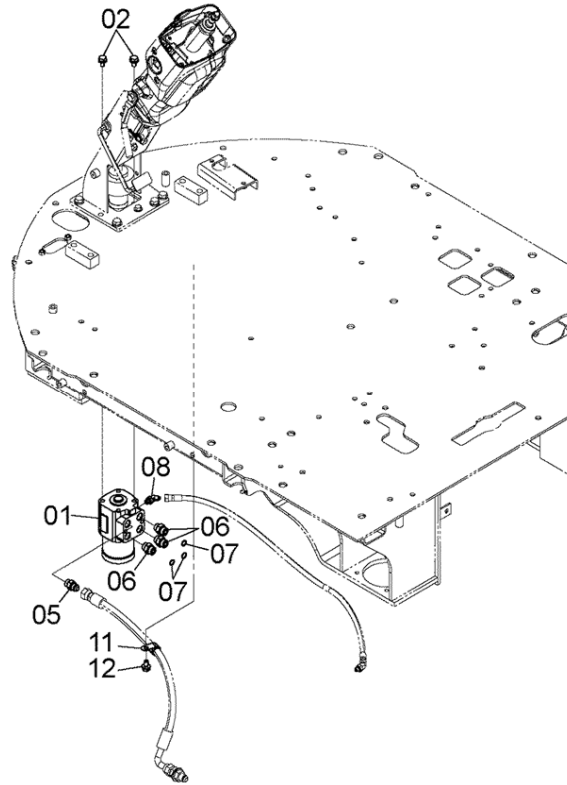
DCYA60049902

STEERING PIPING (4) ステアリング配管 (4)

Applicable Model (適用機種): -

Mark (記号): -

Serial No. (適用号機): -



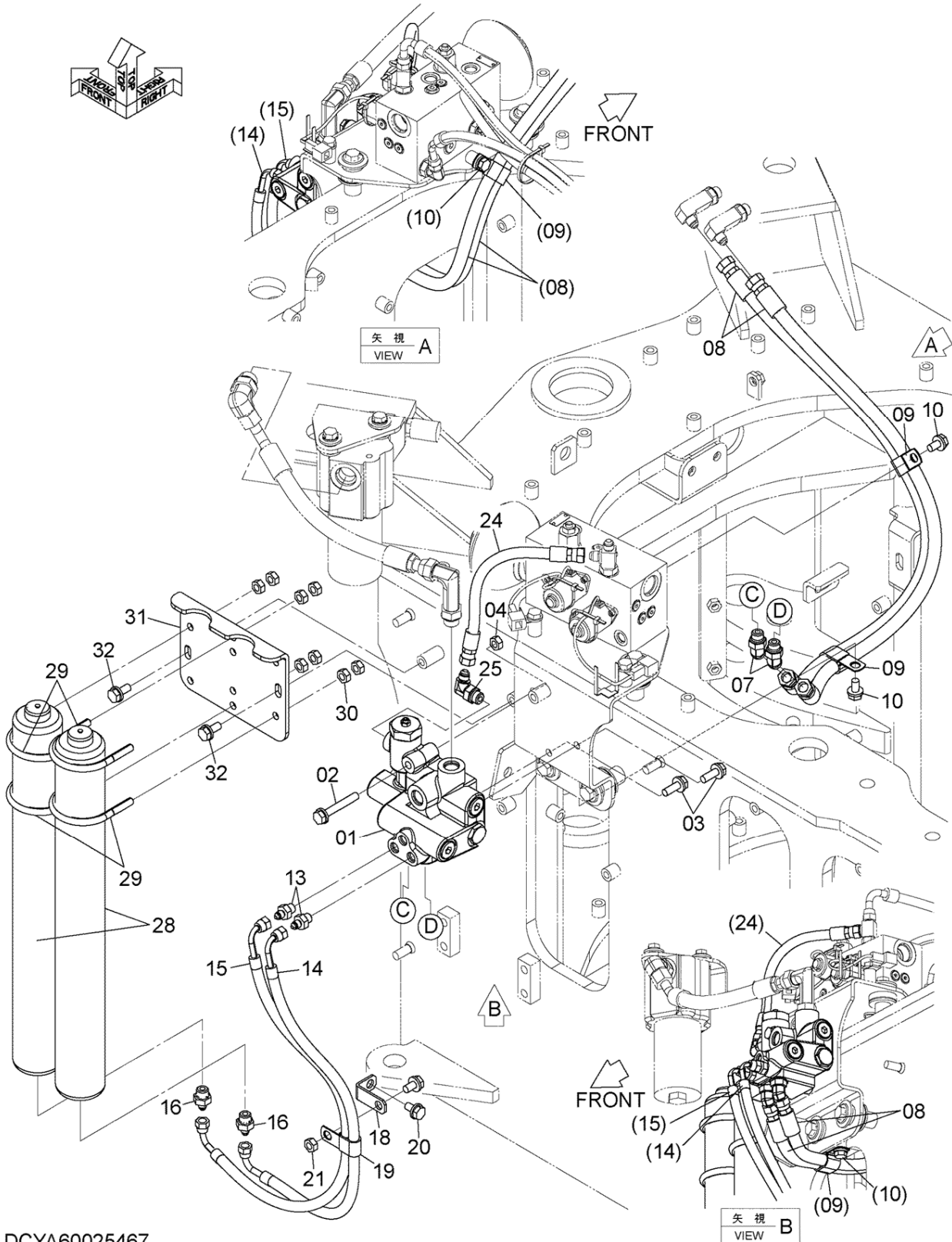
DCYA60048103

BRAKE PIPING (1)
 ブレーキ配管 (1)

Applicable Model (適用機種): -

Mark (記号): -

Serial No. (適用号機): -



DCYA60025467

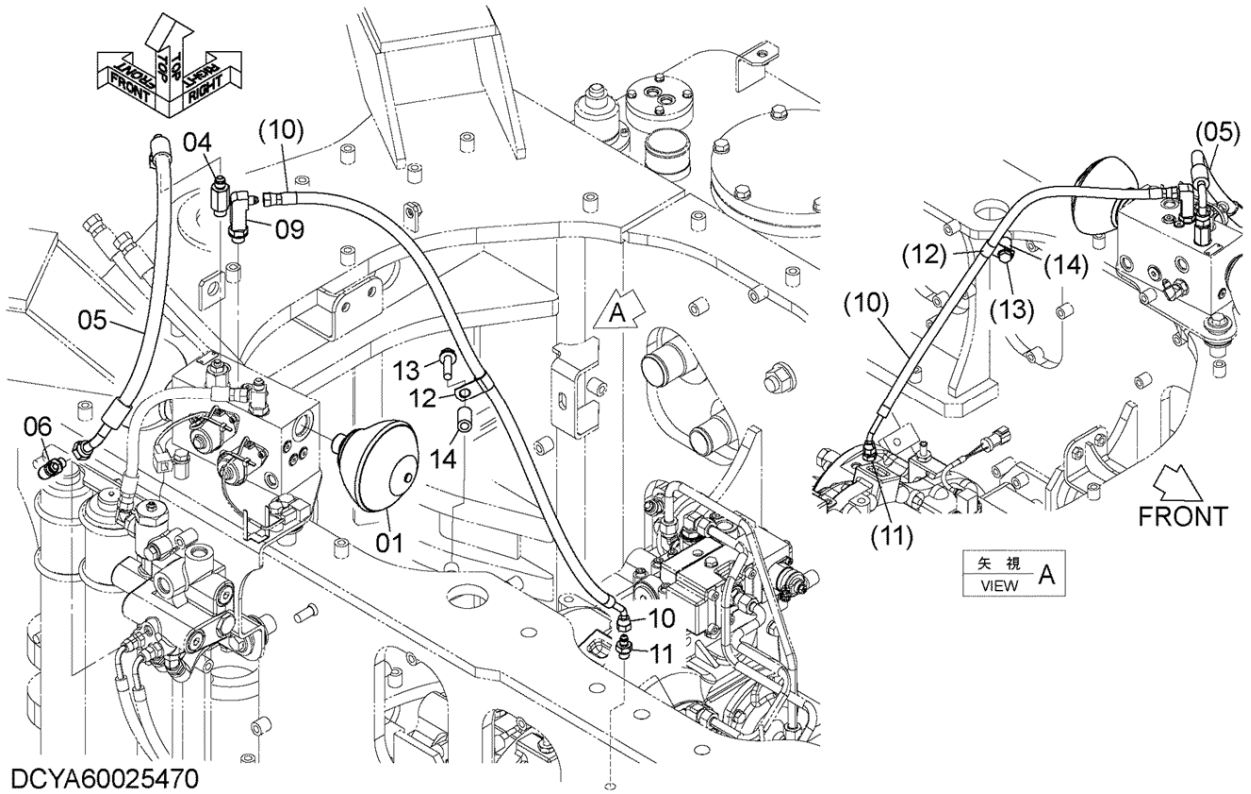
PARKING BRAKE

駐車ブレーキ

Applicable Model (適用機種): -

Mark (記号): -

Serial No. (適用号機): -



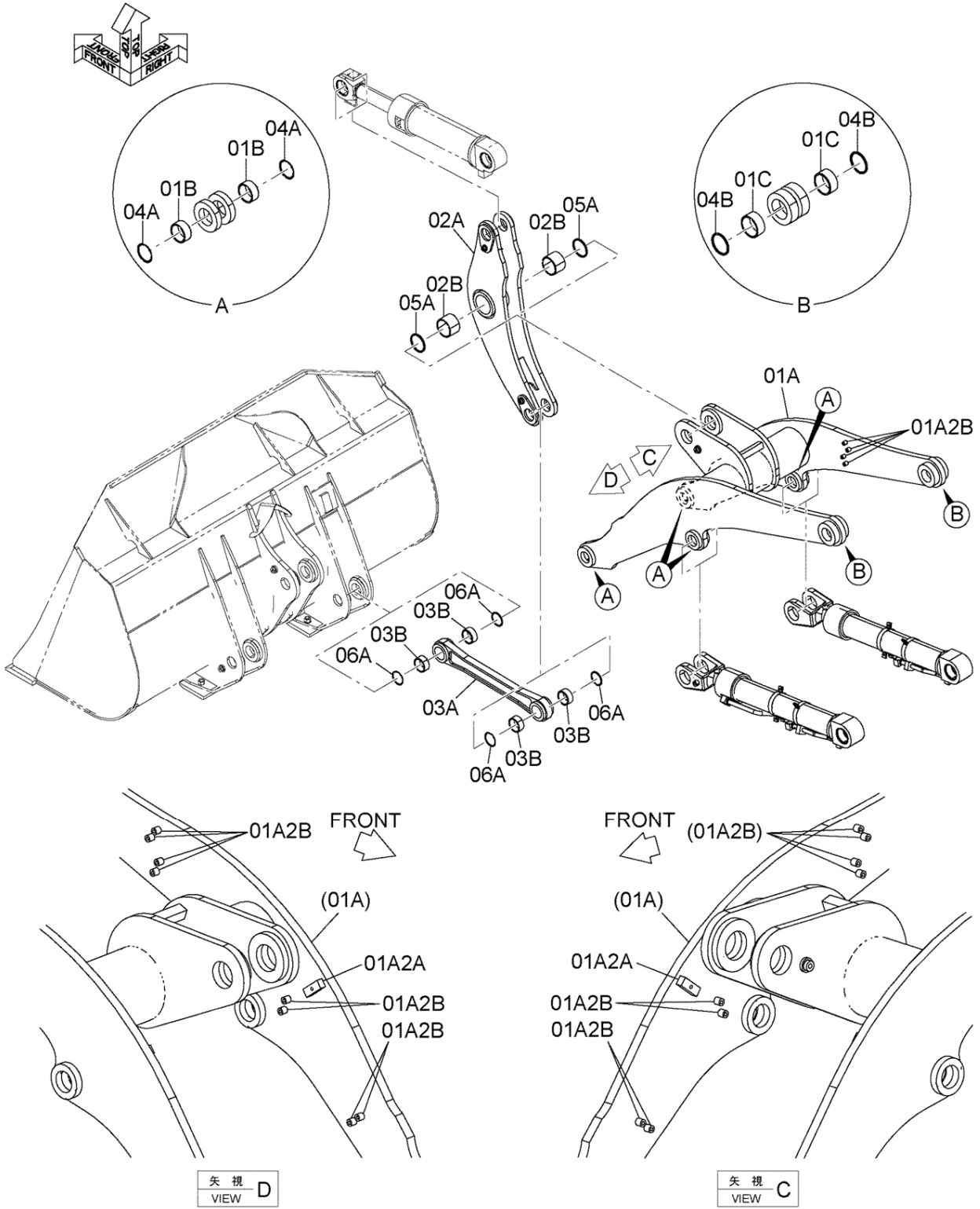
LIFT ARM

リフトアーム

Applicable Model (適用機種): -

Mark(記号): -

Serial No. (適用号機): -



DCYA60027558

TOOLS

工具

Applicable Model (適用機種): -

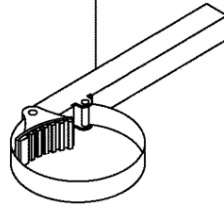
Mark(記号): -

Serial No. (適用号機): -

01



02



03



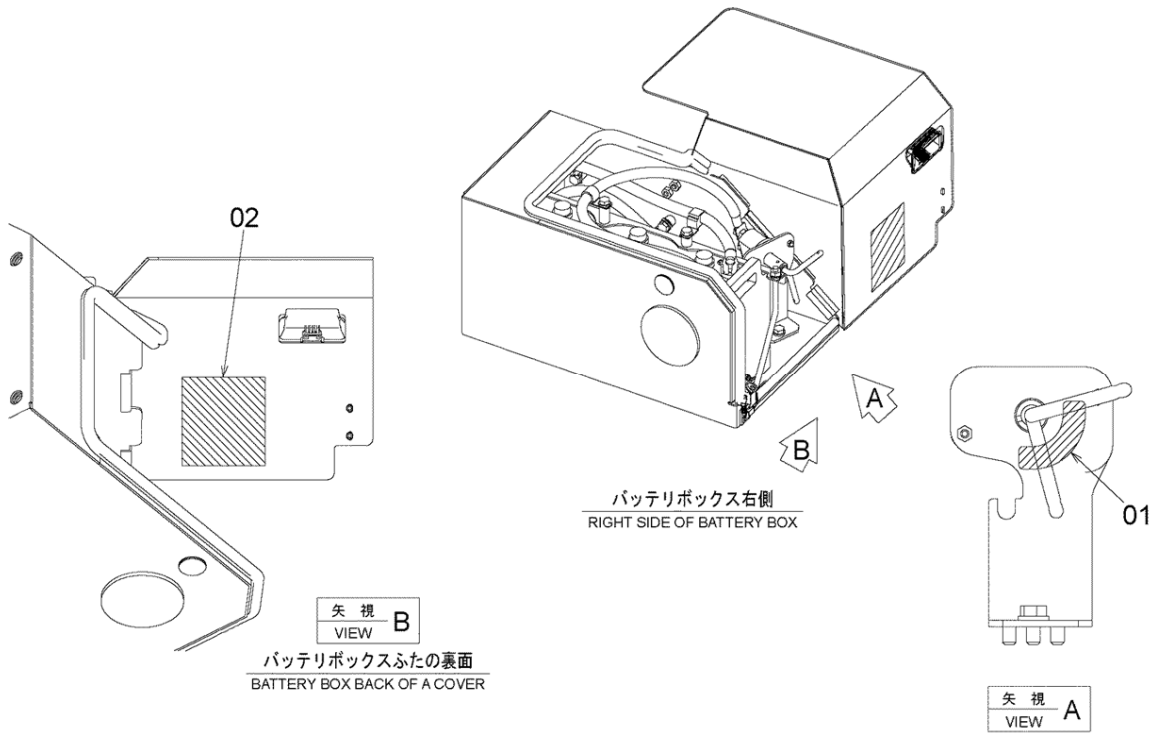
DCYA60053218

NAME PLATE (BATTERY DISCONNECT)
ネームプレート (バッテリーディスコネクト)

Applicable Model (適用機種): -

Mark (記号): -

Serial No. (適用号機): -



DCYA60052204

CLICK HERE TO **DOWNLOAD** THE COMPLETE MANUAL

- Thank you very much for reading the preview of the manual.
- You can download the complete manual from: www.heydownloads.com by clicking the link below



- Please note: If there is no response to CLICKING the link, please download this PDF first and then click on it.

CLICK HERE TO **DOWNLOAD** THE COMPLETE MANUAL