



93302-00051

Apr-2017

# *PARTS CATALOG*

*EQUIPMENT COMPONENTS PARTS*

## *30ZV-2*

Powered by KUBOTA D1803-M-DI-E3B-WLTC1 Engine

Serial No. 30K1-5001 ~

CLICK HERE TO **DOWNLOAD** THE COMPLETE MANUAL

- Thank you very much for reading the preview of the manual.
- You can download the complete manual from: [www.heydownloads.com](http://www.heydownloads.com) by clicking the link below



- Please note: If there is no response to CLICKING the link, please download this PDF first and then click on it.

CLICK HERE TO **DOWNLOAD** THE COMPLETE MANUAL

---

MEMO

---



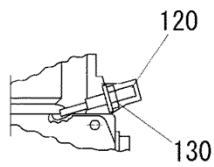
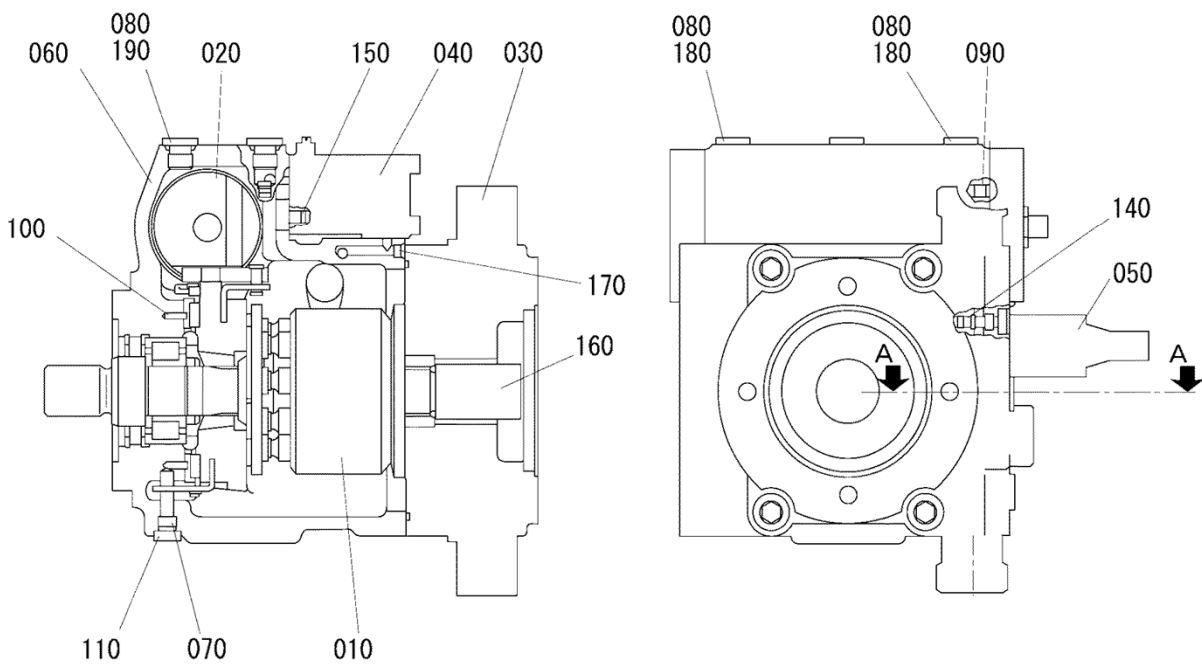
# PISTON PUMP ASSY

## ピストンポンプアッセン

Applicable Model (適用機種): -

Mark (記号): -

Serial No. (適用号機): -



断面 A A  
SECTION AA

DCE62J2511000

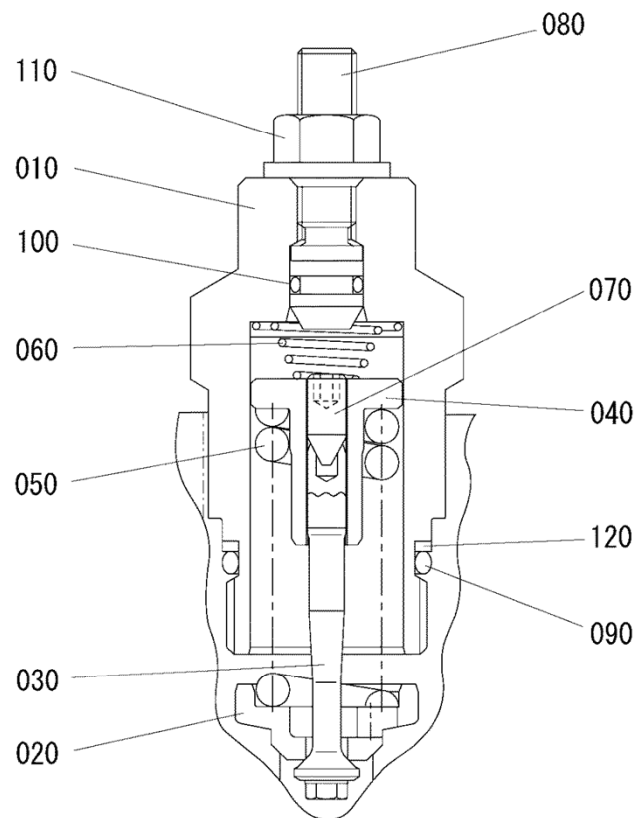
# VALVE;RELIEF (HIGH PRESSURE)

## バルブ;リリーフ (高圧)

Applicable Model (適用機種): -

Mark(記号): -

Serial No. (適用号機): -



DCE302252-13110

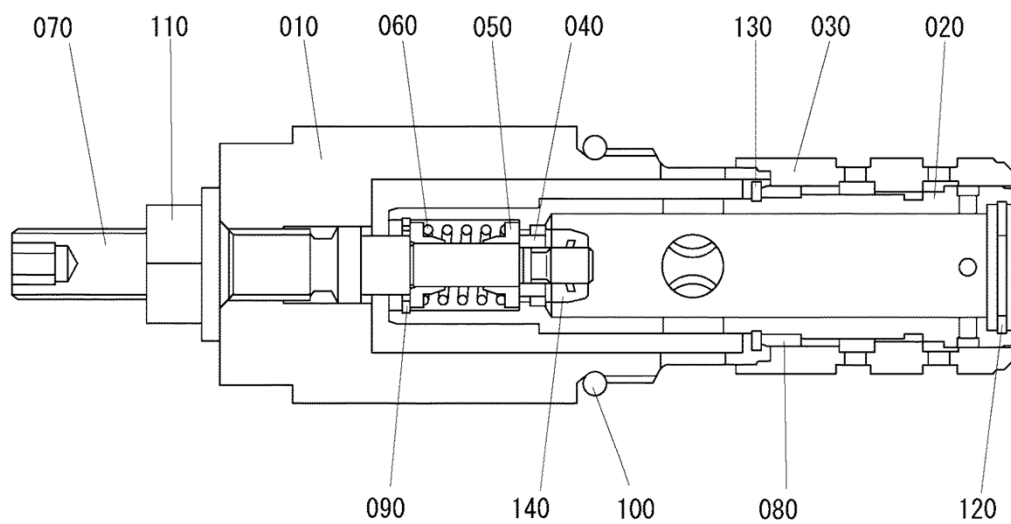
# CARTRIDGE

## カートリッジ

Applicable Model (適用機種): -

Mark (記号): -

Serial No. (適用号機): -



DCE301253-16110

CLICK HERE TO **DOWNLOAD** THE COMPLETE MANUAL

- Thank you very much for reading the preview of the manual.
- You can download the complete manual from: [www.heydownloads.com](http://www.heydownloads.com) by clicking the link below



- Please note: If there is no response to CLICKING the link, please download this PDF first and then click on it.

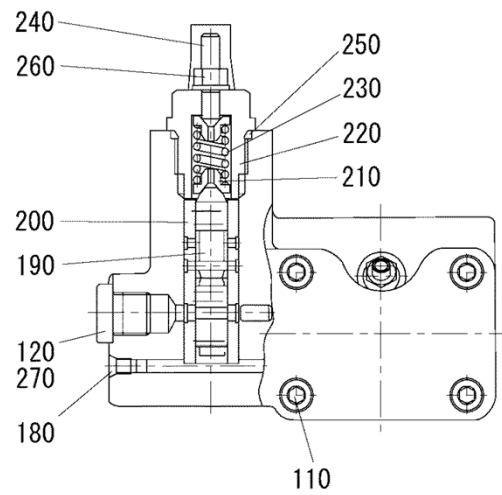
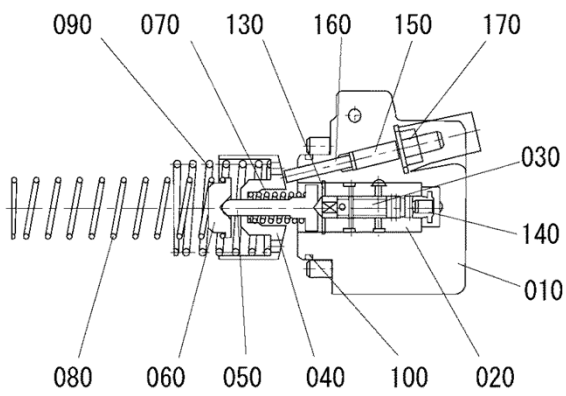
CLICK HERE TO **DOWNLOAD** THE COMPLETE MANUAL

# CONTROL PART コントロールパート

Applicable Model (適用機種): -

Mark (記号): -

Serial No. (適用号機): -



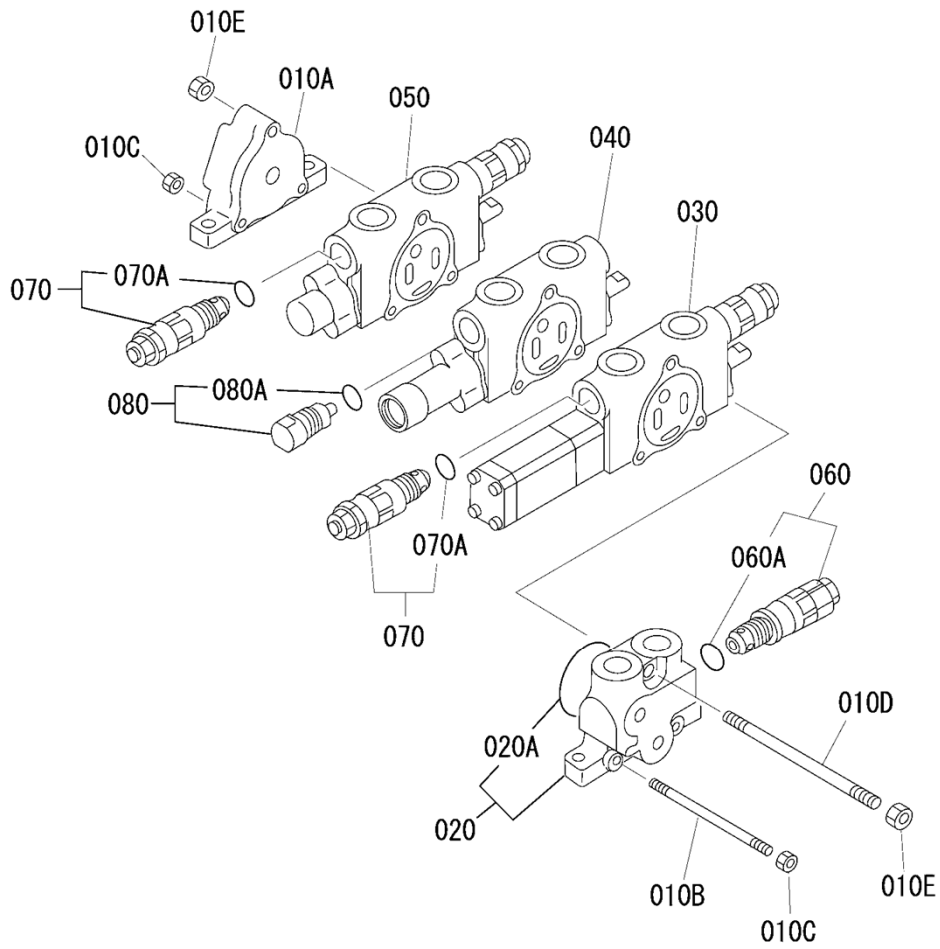
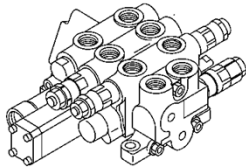
DCE302256-12110

# CONTROL VALVE ASSY コントロールバルブアッセン

Applicable Model (適用機種): -

Mark (記号): -

Serial No. (適用号機): -



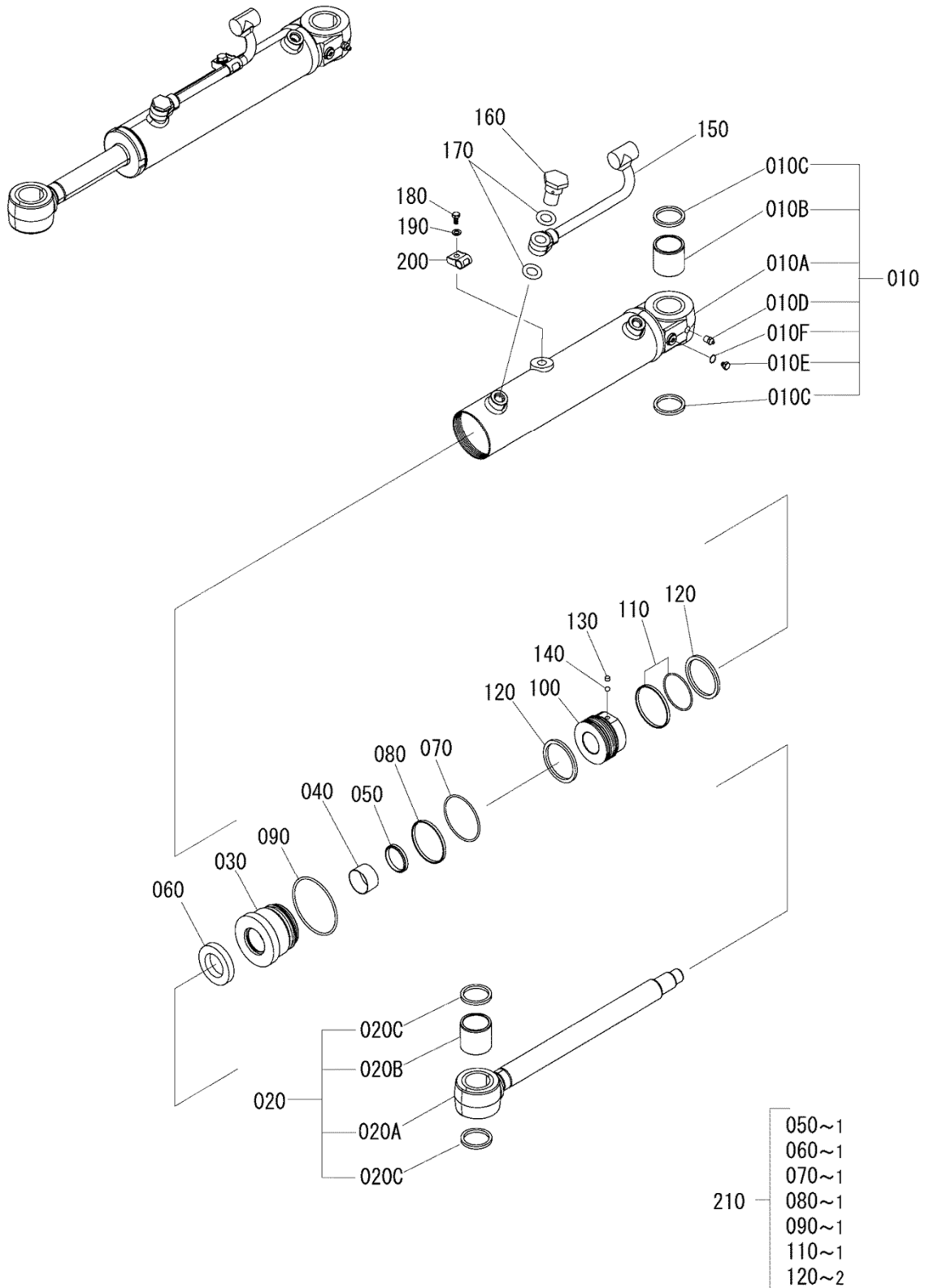
304741-00000

# STEERING CYLINDER ASSY ステアリングシリンダアッセン

Applicable Model (適用機種): -

Mark (記号): -

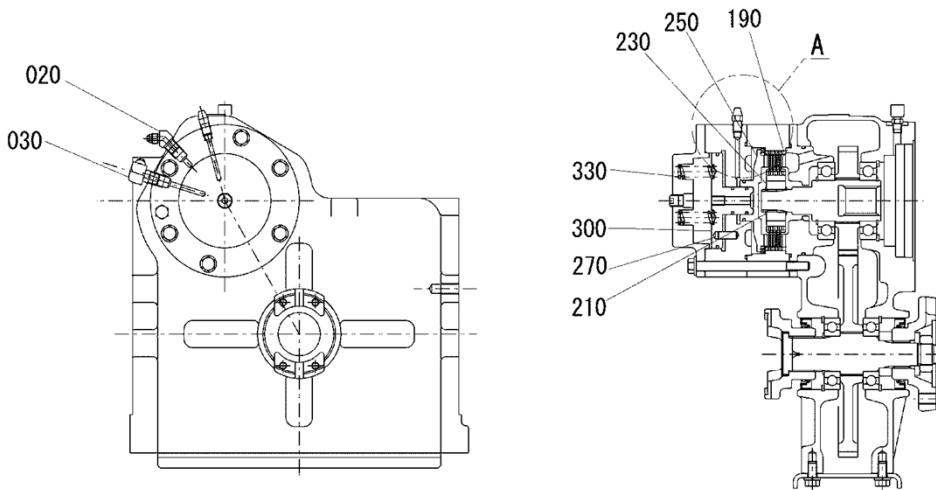
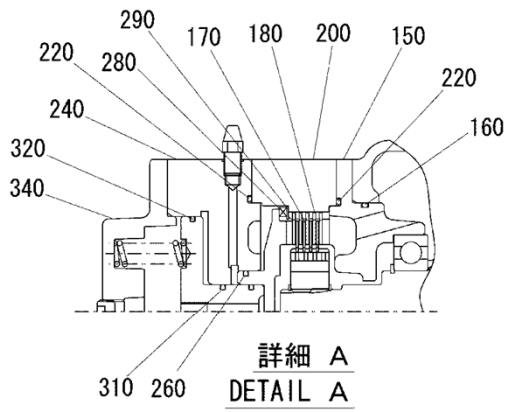
Serial No. (適用号機): -



DCE62J5412100

REDUCTION GEAR ASSY (2/2)  
 リダクションギヤアッセン (2/2)

Applicable Model (適用機種): -  
 Mark(記号): -  
 Serial No. (適用号機): -

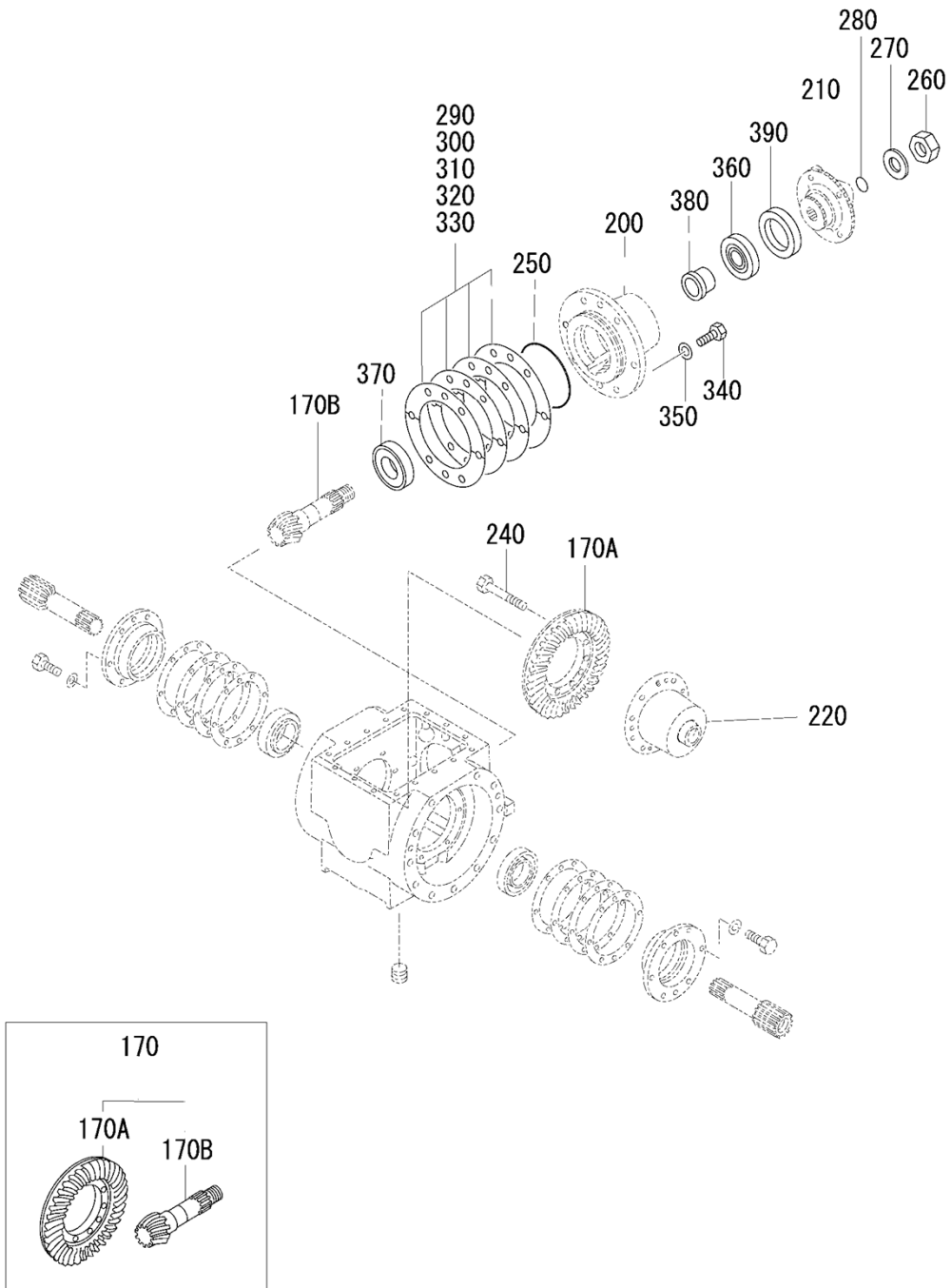


DIFFERENTIAL (F) (2/2)  
ディファレンシャル (F) (2/2)

Applicable Model (適用機種): -

Mark(記号): -

Serial No. (適用号機): -



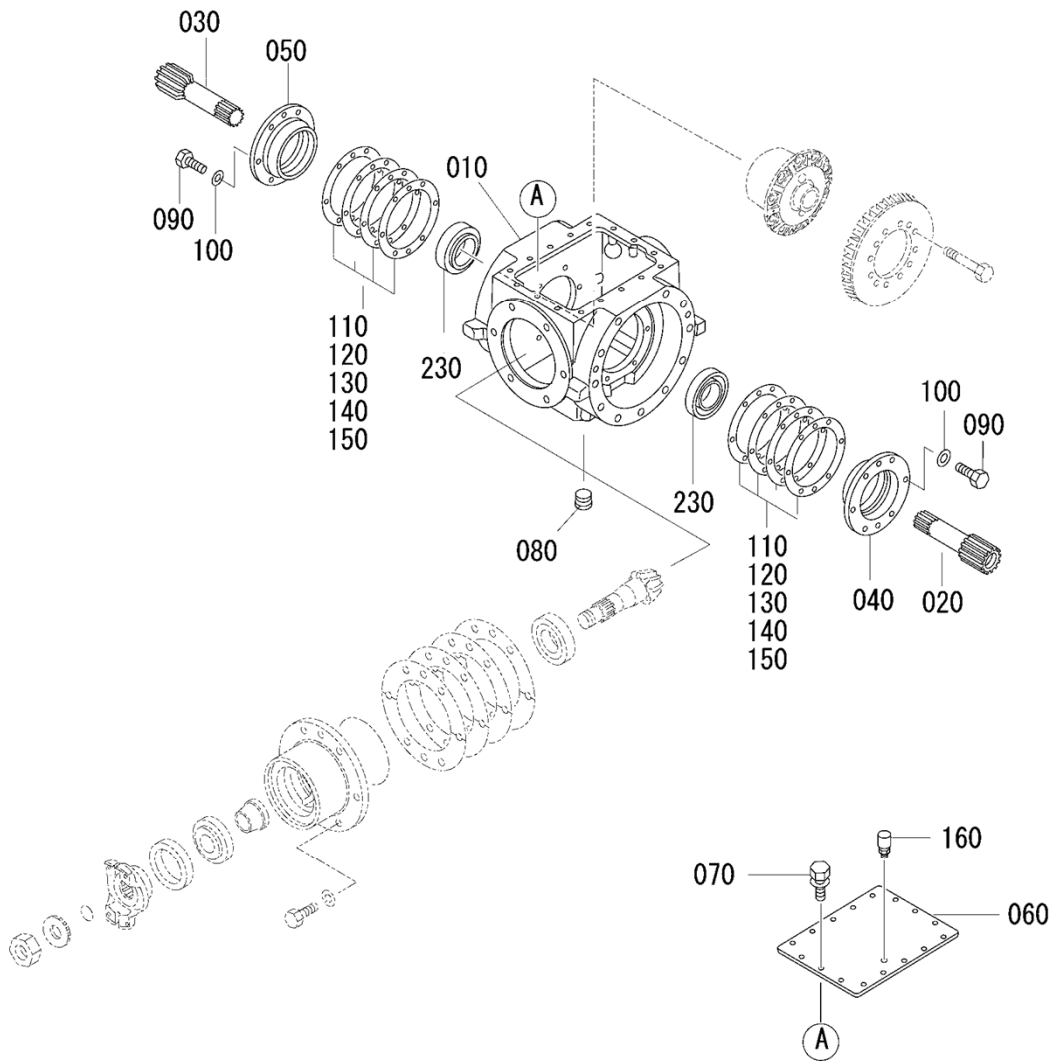
62J352-31000-2

# DIFFERENTIAL (R) (1/2) ディファレンシャル (R) (1/2)

Applicable Model (適用機種): -

Mark (記号): -

Serial No. (適用号機): -



62J362-31000-1

CLICK HERE TO **DOWNLOAD** THE COMPLETE MANUAL

- Thank you very much for reading the preview of the manual.
- You can download the complete manual from: [www.heydownloads.com](http://www.heydownloads.com) by clicking the link below



- Please note: If there is no response to CLICKING the link, please download this PDF first and then click on it.

CLICK HERE TO **DOWNLOAD** THE COMPLETE MANUAL