



93315-00471

February 2013

PARTS CATALOG

ENGINE

ISUZU

6WG1

For 95Z7, 97Z7, 115Z7

Engine Serial No. 201101 ~

CLICK HERE TO **DOWNLOAD** THE COMPLETE MANUAL

- Thank you very much for reading the preview of the manual.
- You can download the complete manual from: www.heydownloads.com by clicking the link below



- Please note: If there is no response to CLICKING the link, please download this PDF first and then click on it.

CLICK HERE TO **DOWNLOAD** THE COMPLETE MANUAL

ENGINE SPECIFICATION

MQB

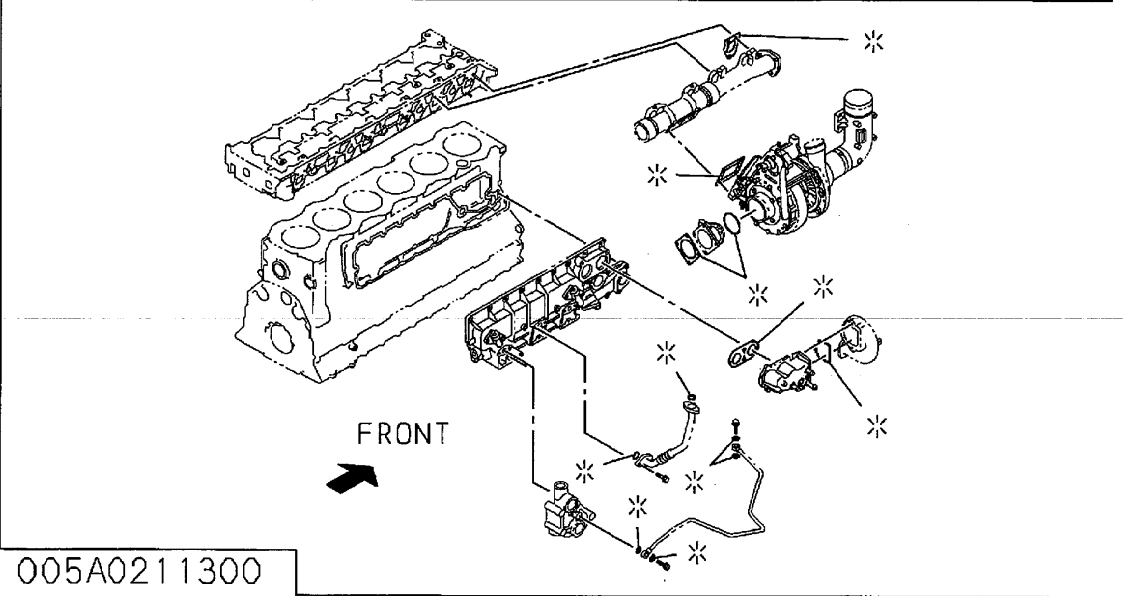
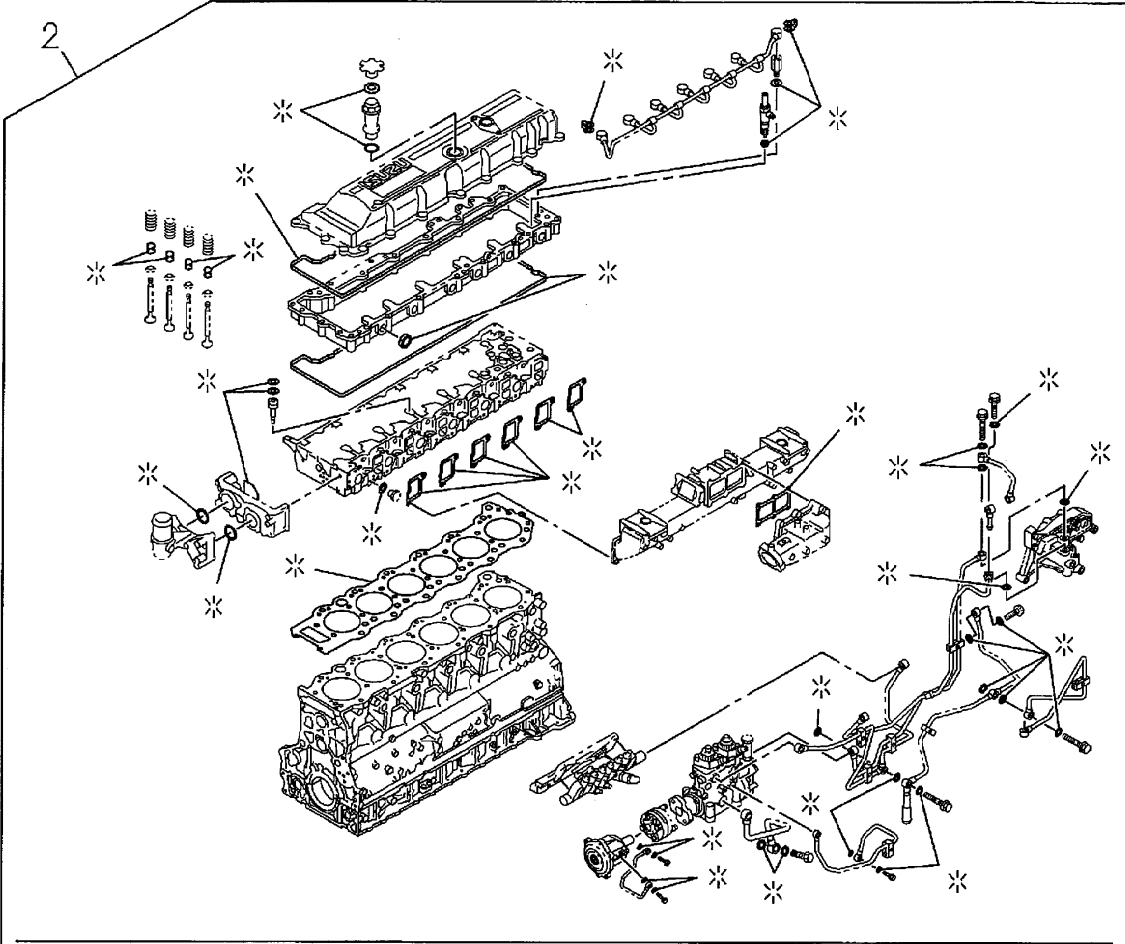
SYSTEM CODE	SYSTEM NAME	PAGE
005	ENGINE GASKET KIT	005-1
010	CYLINDER HEAD COVER	010-1
011	CYLINDER HEAD	011-1
012	CYLINDER BLOCK	012-1
013	OIL PAN & LEVEL GAUGE	013-1
014	CAMSHAFT & VALVE	014-1
015	CRANKSHAFT, PISTON & FLYWHEEL	015-1
020	TIMING GEAR CASE & FLYWHEEL HOUSING	020-1
025	INLET MANIFOLD	025-1
027	EXHAUST MANIFOLD	027-1
028	VENTILATION SYSTEM	028-1
030	WATER PUMP & CORROSION RESISTOR	030-1
031	THERMOSTAT & HOUSING	031-1
032	WATER PIPING, ENGINE	032-1
033	FAN & FAN BELT	033-1
036	TURBOCHARGER SYSTEM	036-1
038	AIR COMPRESSOR PIPING, ENGINE SIDE	038-1
039	AIR COMPRESSOR, BRAKE	039-1
040	FUEL INJECTION SYSTEM	040-1
041	FUEL FILTER & BRACKET	041-1
042	FUEL PUMP & PIPE	042-1



ENGINE GASKET KIT

MQB 005-2

2



005A0211300

SYM BOL	PART NUMBER	PART NAME	UNIT Q,TY	SERIAL (A) - (B)	REMARKS			
					N	P	D	REMARK
1A	YZ1112106914	ブロック アッセン, シリンダ BLOCK ASSY, CYLINDER	1	201101-			YO1	YZ1112106913
30A	YZ9081510180	ピン, ストレート PIN, STRAIGHT	2	201101-				D=10X18
32A	YZ8943255061	ピン PIN	2	201101-				
34A	YZ1131600303	バルブ, リリーフ VALVE, RELIEF	1	201101-			YO2	
35A	YZ1096232970	ガスケット GASKET	1	201101-			02	
38A	YZ9081510180	ピン, ストレート PIN, STRAIGHT	2	201101-				D=10X18
46A	YZ1133490140	ボルト, ジョイント BOLT, JOINT	6	201101-				
56A	YZ1133421391	ホルダ HOLDER	6	201101-				
83A	YZ9081514280	ピン PIN	2	201101-				
95A	YZ8980274560	センサ, プレツチャ SENSOR, PRESSURE	1	201101-				
111A	YZ1090700873	ボルト BOLT	28	201101-			01	YZ1090700872
112A	YZ1090701510	ボルト BOLT	14	201101-			01	M18X150
181A	YZ1096300830	パッキン PACKING	1	201101-				
182A	YZ1096300840	パッキン PACKING	1	201101-				
183A	YZ1096300890	リング, O RING, O	1	201101-				
184A	YZ1096301410	ガスケット GASKET	2	201101-				
201A	YZ1878132014	ライナ セット LINER SET	6	201101-			01	YO3 YZ1878132013
202A	YZ1878132024	ライナ セット LINER SET	6	201101-			01	YO4 YZ1878132023
212A	YZ1097400681	ピン PIN	2	201101-			01	
256A	YZ1096301410	ガスケット GASKET	1	201101-				
261A	YZ5111290030	カップ, シーリング CUP, SEALING	1	201101-			01	
301A	YZ1097490251	ピン PIN	2	201101-			01	
302A	YZ9081605100	ピン, ストレート PIN, STRAIGHT	2	201101-			01	5X10
351A	YZ1096040350	プラグ PLUG	1	201101-				M22X12
352A	YZ1096040940	プラグ PLUG	1	201101-				M10X7
353A	YZ8980429440	プラグ PLUG	2	201101-				M14X9
354A	YZ8980470540	プラグ PLUG	1	201101-				M12X9
361A	YZ1096000160	カップ, シーリング CUP, SEALING	1	201101-			01	D=25
362A	YZ1096000651	カップ CUP	2	201101-			01	D=40
363A	YZ8942416370	カップ CUP	13	201101-			01	D=40
364A	YZ8973514510	カップ, シーリング CUP, SEALING	4	201101-			01	D=45
401A	YZ1112613792	ライナ LINER	6	201101-			03	GRADE=1X
402A	YZ1112613802	ライナ LINER	6	201101-			04	GRADE=3X
701A	YZ1096000122	カップ, シーリング CUP, SEALING	1	201101-				D=32
702A	YZ1096000160	カップ, シーリング CUP, SEALING	4	201101-				D=25

CLICK HERE TO **DOWNLOAD** THE COMPLETE MANUAL

- Thank you very much for reading the preview of the manual.
- You can download the complete manual from: www.heydownloads.com by clicking the link below

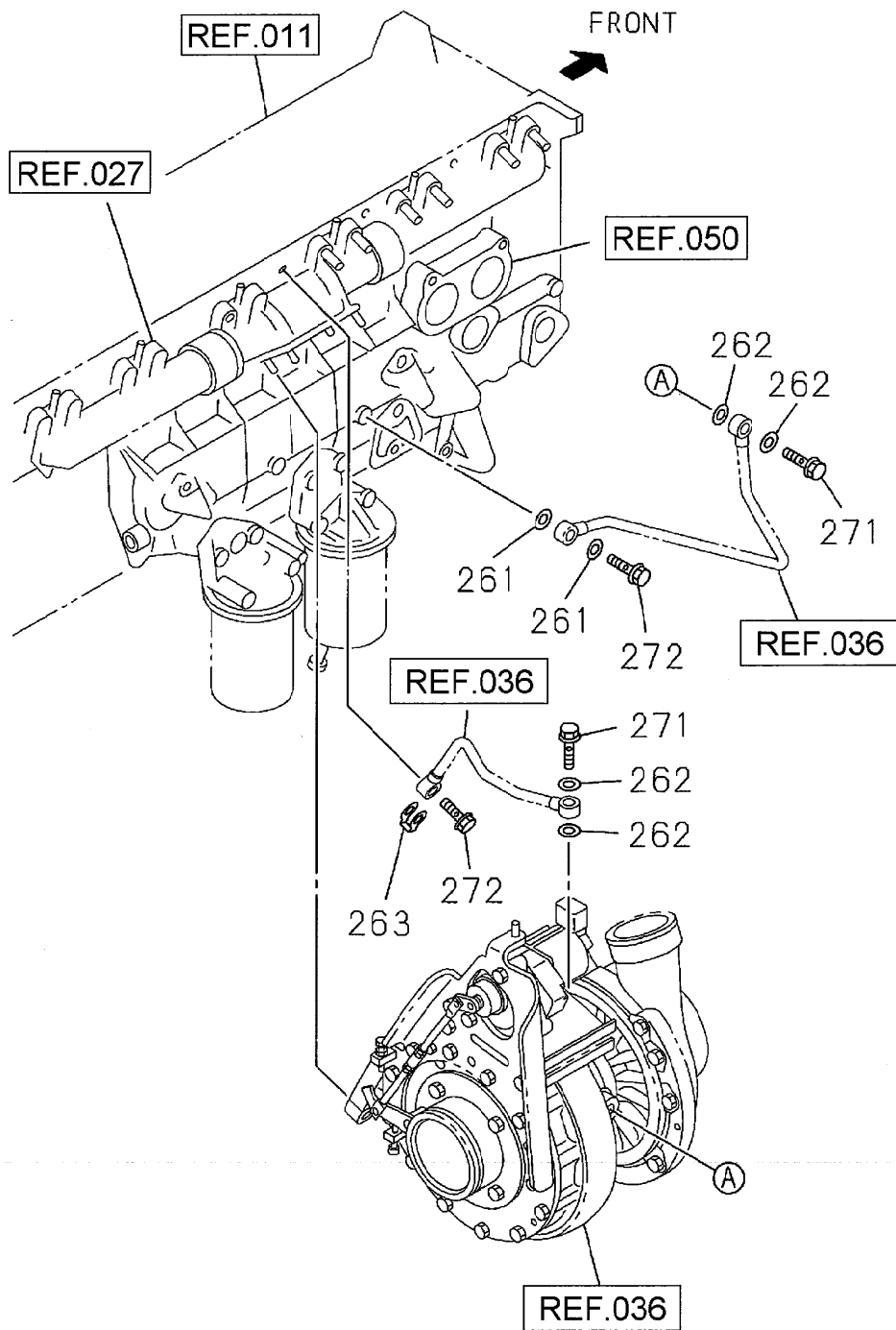


- Please note: If there is no response to CLICKING the link, please download this PDF first and then click on it.

CLICK HERE TO **DOWNLOAD** THE COMPLETE MANUAL

WATER PIPING, ENGINE

MQB 032-2

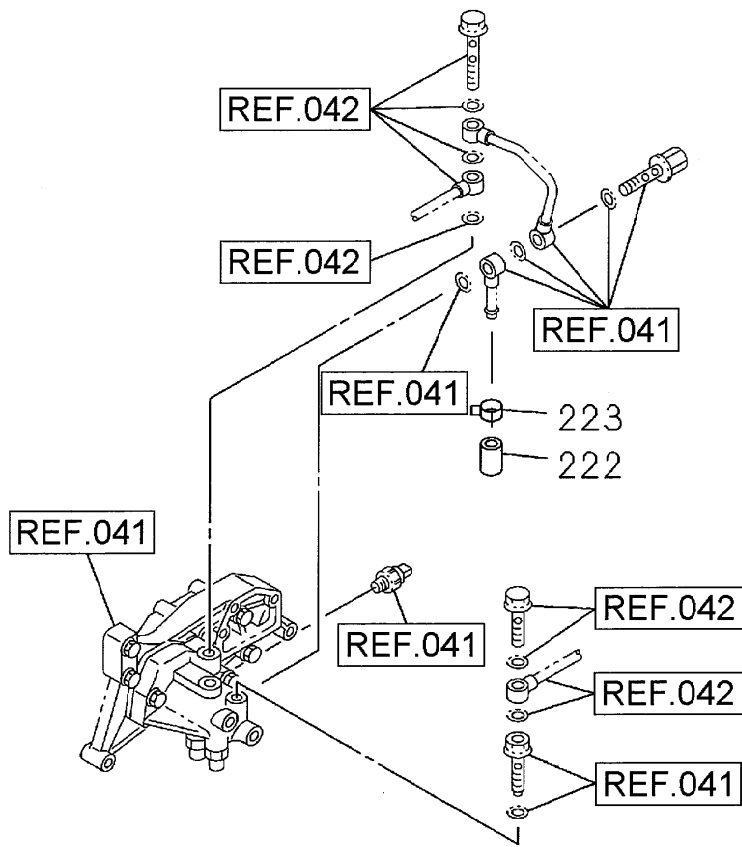


032A0211300

MEMO

FUEL INJECTION SYSTEM

MQB 040-4



040A0411300

MEMO

CLICK HERE TO **DOWNLOAD** THE COMPLETE MANUAL

- Thank you very much for reading the preview of the manual.
- You can download the complete manual from: www.heydownloads.com by clicking the link below



- Please note: If there is no response to CLICKING the link, please download this PDF first and then click on it.

CLICK HERE TO **DOWNLOAD** THE COMPLETE MANUAL