



93309-00282

July 2008

PARTS CATALOG

ENGINE

CUMMINS QSC8.3

For 80ZV-2

Engine Serial No. 26850045 ~

CLICK HERE TO **DOWNLOAD** THE COMPLETE MANUAL

- Thank you very much for reading the preview of the manual.
- You can download the complete manual from: www.heydownloads.com by clicking the link below



- Please note: If there is no response to CLICKING the link, please download this PDF first and then click on it.

CLICK HERE TO **DOWNLOAD** THE COMPLETE MANUAL

ENGINE SPECIFICATION

GQA

SYSTEM CODE	SYSTEM NAME	PAGE
101	AIR HEATER STARTING AID	101-1
102	AGENCY APPROVAL	102-1
102A	AGENCY APPROVAL	102A-1
103	CRANKSHAFT ASSEMBLY	103-1
103A	CRANKSHAFT ASSEMBLY	103A-1
104	CYLINDER BLOCK	104-1
104A	CYLINDER BLOCK	104A-1
105	CYLINDER LINER	105-1
107	VALVE TAPPET	107-1
108	CYLINDER BLOCK COOLANT PLUMBING	108-1
108A	CYLINDER BLOCK COOLANT PLUMBING	108A-1
109	FRONT GEAR HOUSING	109-1
109A	FRONT GEAR HOUSING	109A-1
110	CRANKCASE BREATHER	110-1
110A	CRANKCASE BREATHER	110A-1
111	COOLANT HEATER STARTING AID	111-1
111A	COOLANT HEATER STARTING AID	111A-1
112	VIBRATION DAMPER	112-1
112A	VIBRATION DAMPER	112A-1

MEMO

CLICK HERE TO **DOWNLOAD** THE COMPLETE MANUAL

- Thank you very much for reading the preview of the manual.
- You can download the complete manual from: www.heydownloads.com by clicking the link below



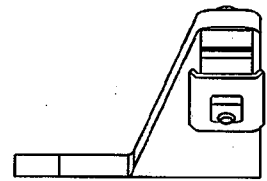
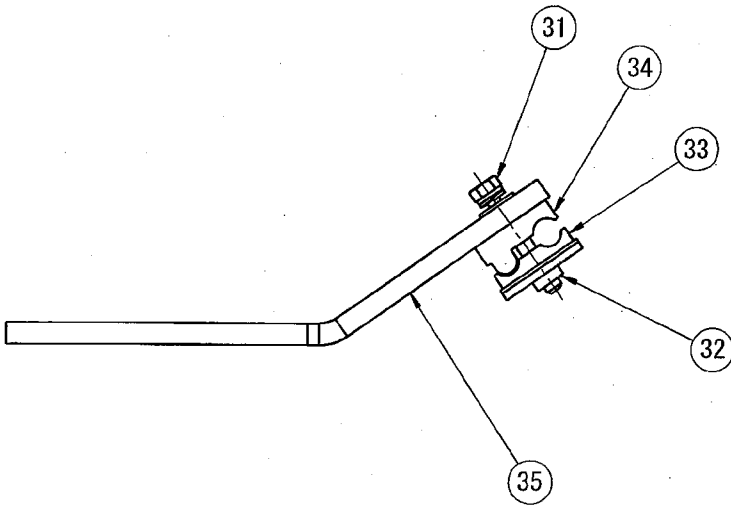
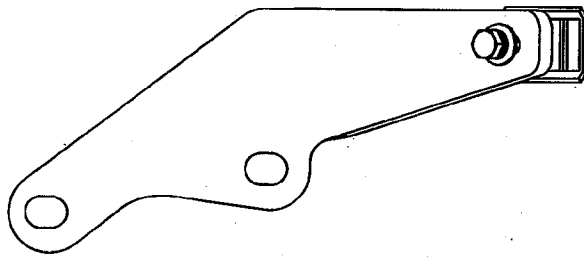
- Please note: If there is no response to CLICKING the link, please download this PDF first and then click on it.

CLICK HERE TO **DOWNLOAD** THE COMPLETE MANUAL

INJECTOR PLUMBING

4937500

Group -



CLICK HERE TO **DOWNLOAD** THE COMPLETE MANUAL

- Thank you very much for reading the preview of the manual.
- You can download the complete manual from: www.heydownloads.com by clicking the link below



- Please note: If there is no response to CLICKING the link, please download this PDF first and then click on it.

CLICK HERE TO **DOWNLOAD** THE COMPLETE MANUAL