



PART No. AAAP08806-0

**ENGINE**

# ***PARTS CATALOG***

***Model CUMMINS LT10-C***

**For Model 85ZⅣ**  
Engine Serial No. 34756937~

***LTA10-C***

**For Model 90ZⅣ**  
Engine Serial No. 34756583~

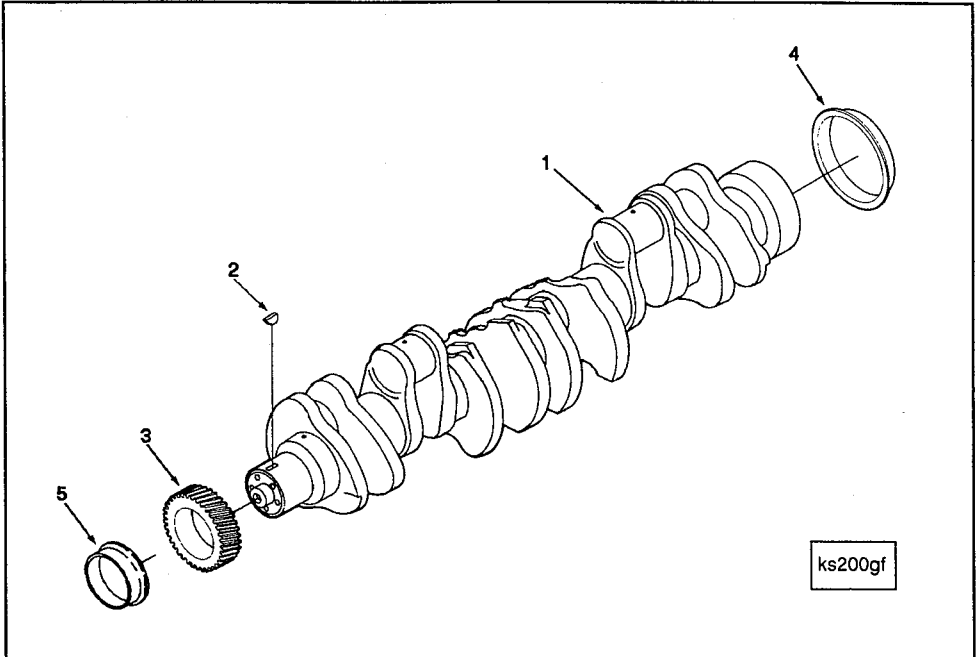
CLICK HERE TO **DOWNLOAD** THE COMPLETE MANUAL

- Thank you very much for reading the preview of the manual.
- You can download the complete manual from: [www.heydownloads.com](http://www.heydownloads.com) by clicking the link below



- Please note: If there is no response to CLICKING the link, please download this PDF first and then click on it.

CLICK HERE TO **DOWNLOAD** THE COMPLETE MANUAL

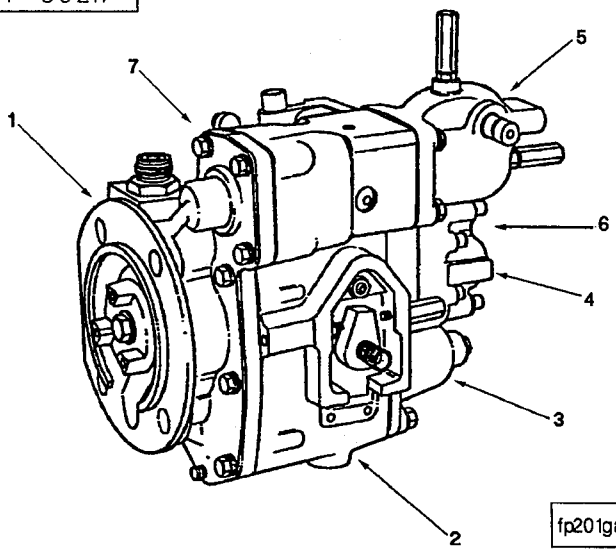


Ref NO.	Part Number	Part Name	Req	Remarks
		Crankshaft BP2936		
1	3819624	Crankshaft, Engine	1	
2	S-300	Key, Plain Woodruff	1	
3	3038984	Gear, Crankshaft	1	
		REPAIR PARTS		
4	3819774	Sleeve, Wear	1	
5	3820918	Sleeve, Wear	1	
		Image ks200gf.CAL		



Ref No.	Part Number	Part Name	Req	Remarks
		Cylinder Head PP1414		
	3073514	Head, Cylinder	1	CPL 1414
1	(3883525)	Head, Cylinder	1	
2	3007632	Plug, Expansion	2	
3	206741	Plug, Expansion	2	
4	3007635	Plug, Expansion	8	
5	3007759	Seal, O Ring	6	
6	3070486	Sleeve, Injector	6	
7	3028070	Insert, Valve	12	Exhaust
8	3820180	Insert, Valve	12	Intake
9	3073512	Guide, Valve Stem	24	
10	3818060	Screw, Captive Washer Cap	4	M10 x 1.50 x 25
11	3070174	Spring, Valve	24	
12	3018037	Plate, Cover	1	
13	3820872	Gasket, Cover Plate	1	
	3803310	Valve, Intake	12	
14	(3068828)	Valve, Intake	12	
15	3275354	Collet, Valve	24	
	3803311	Valve, Exhaust	12	
16	(3070159)	Valve, Exhaust	12	
15	3275354	Collet, Valve	24	
17	3883512	Retainer, Valve Spring	24	
18	3070072	Guide, Spring	24	
19	3008465	Plug, Pipe	16	
20	3820749	Plug, Orifice	6	
21	3073509	Seal, Valve Stem	12	Intake
22	3073510	Seal, Valve Stem	12	Exhaust
		MISCELLANEOUS PARTS		
23	3045850	Screw, Hex Flange Head Cap	29	M14 x 1.50 x 140
24	3045849	Screw, Hex Flange Head Cap	3	M14 x 1.50 x 75
25	3893927	Gasket, Cylinder Head	1	
26	3882885	Washer, Plain	7	
27	3028272	Screw, Twelve Point Cap	7	M10 x 1.50 x 75
		VALVE STEM GUIDE		
	3074118	Guide, Valve Stem		.20 mm Oversize
		OVERSIZE VALVE SEATS		
	3028071	Insert, Valve		.25 mm Oversize
	3028072	Insert, Valve		.50 mm Oversize
	3028073	Insert, Valve		.75 mm Oversize
	3028074	Insert, Valve		1.00 mm Oversize
		Image kn200gg.CA1		

LT10 For 85ZIV



Ref No.	Part Number	Part Name	Req	Remarks
		Fuel Pump FP2876		Variable speed governor. Dual spring AFC with profile barrel and plunger. With mechanical tach drive. 7 degree no dump hole governor plunger. Use with 3054351 hardware kit.
	3895129	Assembly, Fuel Pump	1	
1	3030274	Fuel Pump Front Cover	1	
2	3069255	Fuel Pump Housing	1	
3	3021977	Governor Spring Pack	1	
4	3034243	Fuel Pump Gear Assembly	1	
5	3020523	VS Spring Pack	1	
6	BM76340	Fuel Pump Damper	1	
7	3059603	Assembly, AFC	1	
		Image fp201ga.CA1		

Group No. 06.01

## Injectors

Option No. PP1414

Ref No.	Part Number	Part Name	Req	Remarks
		Injectors PP1414		
	3045102	Injector	6	CPL 1414
1	3062104	Spring, Compression	1	
2	167157	Ball, Check	1	
3	173086	Gasket, Injector	1	
4	174299	Retainer, Screen	1	
5	185138	Retainer, Injector Cup	1	
6	193736	Seal, O Ring	3	
7	203426	Pin, Roll	2	
8	3008706	Screen, Filter	1	
9	3009362	Nut, Lock	1	
10	3049995	Retainer, Injector Spring	1	
11	3018772	Screw, Injector Stop	1	
	3049996	Barrel & Plunger	1	
12	(3049997)	Plunger, Injector	1	
13	(3202185)	Barrel, Injector	1	
14	3028066	Adapter, Injector	1	
15	3028068	Cup, Injector	1	
16	(3045047)	Plug, Orifice	1	
17	3071351	Link, Injector Plunger	6	
18	3072885	Clamp, Injector	6	
19	3075345	Screw, Hexagon Head Cap	12	M10 x 1.50 x 80
		Image fi200ga.CAL		

CLICK HERE TO **DOWNLOAD** THE COMPLETE MANUAL

- Thank you very much for reading the preview of the manual.
- You can download the complete manual from: [www.heydownloads.com](http://www.heydownloads.com) by clicking the link below



- Please note: If there is no response to CLICKING the link, please download this PDF first and then click on it.

CLICK HERE TO **DOWNLOAD** THE COMPLETE MANUAL





Group No. 08.07

Thermostat Housing

Option No. TH2022-02

Ref No.	Part Number	Part Name	Req	Remarks
		Thermostat Housing TH2022-02		For use with aftercooled engines.
	3818418	Housing, Thermostat	1	
1	(3034860)	Housing, Thermostat	1	
2	186780	Seal, Thermostat	1	
3	3008465	Plug, Pipe	1	1/8 NPT
4	3008468	Plug, Pipe	2	1/2 NPT
5	3008469	Plug, Pipe	1	3/4 NPT
6	3819294	Support, Thm Housing	1	
7	3080770	Seal, Rectangular Ring	1	
8	3820667	Hose, Plain	1	
9	3022502	Screw, Hexagon Head Cap	3	M10 x 1.50 x 145
10	3893691	Gasket, Support	1	
	3037536	Plug, Threaded	1	
11	3037537	Seal, O Ring	1	
12	(3040813)	Plug, Threaded	1	9/16 - 18 inch
13	3008690	Clamp, Hose	2	
14	3820988	Screw, Hexagon Head Cap	4	M10 x 1.50 x 35
15	3892412	Screw, Hexagon Head Cap	1	
16	3013786	Plug, Pipe	1	3/8 NPT
		Image th201gl.CA1		

Group No. 09.01

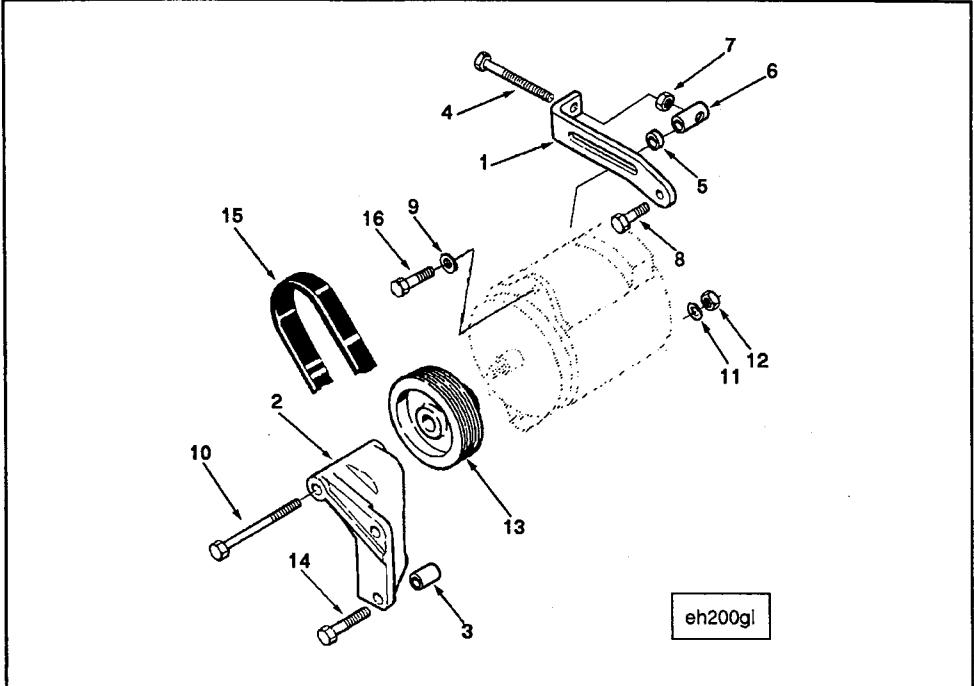
Fuel Pump Drive

Option No. DP2013-04

Ref No.	Part Number	Part Name	Req	Remarks
		Fuel Pump Drive DP2013-04		Fuel pump less air compressor accessory drive arrangement
	3896045	Shaft & Gear, Acc Drive		
1	3033742	Plug, Threaded	2	3/8 inch
2	3034412	Seal, O Ring	1	
3	170664	Washer, Plain	1	
4	3000173	Screw, Hexagon Head Cap	1	3/8 - 16 x 1 inch
5	3000174	Hub, Jaw Coupling	1	
6	3028309	Bearing, Thrust	1	
7	3896046	Support, Accessory Drive	1	
	3041048	Gear & Shaft	1	
8	S-3193	Pin, Groove	1	
9	3041042	Gear, Accessory Drive	1	
10	3041043	Shaft, Accessory Drive	1	
11	3883538	Gasket, Acc Drive Support	1	
12	3882885	Washer, Plain	1	
13	3883123	Screw, Hex Flange Head Cap	6	M10 x 1.50 x 40
		Image dp200gm.CA1		

Ref No.	Part Number	Part Name	Req	Remarks
		Turbocharger PP1413-01		
	3803578	Turbocharger	1	
	(3531861)	Turbocharger	1	
1	3528997	Housing, Compressor	1	
2	3525562	Dataplate	1	
3	3502017	Plate, Clamping	3	
4	3531770	Housing, Turbine	1	
5	3528096	Plate, Oil Seal	1	
6	3519163	Screw, Drive	2	
	3803438	Clamp, V Band	1	
7	(3715174)	Clamp, V Band	1	
8	3529372	Nut, Regular Hexagon	1	
9	3758848	Seal, Split Ring	1	
10	3528136	Housing, Turbine Bearing	1	
11	3528094	Baffle, Oil	1	
12	3504413	Bearing, Turbocharger	2	
13	3533038	Shield, Heat	1	
14	3756754	Seal, Split Ring	1	
15	3709753	Ring, Retaining	4	
16	3532807	Bearing, Tur Thrust	1	
17	3723863	Ring, Retaining	1	
18	3759917	Screw, Hexagon Head Set	6	M8 x 1.25 x 12
19	3762915	Seal, O Ring	1	
20	3760250	Nut, Lock	1	
21	3502231	Slinger, Oil	1	
22	3528123	Impeller	1	
23	3522232	Shaft And Wheel	1	
24	3531868	Collar, Thrust	1	
25	3755843	Gasket, Turbocharger	1	
26	3519762	Gasket, Turbocharger	1	
27	3819378	Gasket, Turbocharger	1	
	3801888	Kit, Stud	4	
28	3818824	Nut	1	
29	3818823	Stud	1	
		TURBOCHARGER REPAIR KIT		
	3803743	Kit, Turbocharger Repair	1	
3	3502017	Plate, Clamping	3	
9	3758848	Seal, Split Ring	1	
12	3504413	Bearing, Turbocharger	2	
14	3756754	Seal, Split Ring	1	
15	3709753	Ring, Retaining	4	
16	3532807	Bearing, Tur Thrust	1	
17	3723863	Ring, Retaining	1	
19	3762915	Seal, O Ring	1	
25	3755843	Gasket, Turbocharger	1	
26	3819900	Gasket, Turbocharger	1	
27	3914388	Gasket, Turbocharger	1	
		Image tb201gl.CA1		





Ref No.	Part Number	Part Name	Req	Remarks
		Alternator Mounting EH2001-01		Alternator mounting and drive components for Delco-Remy and Leece-Neville alternator. For use with Cummins supplied alternator mounted on exhaust side of engine, with one piece support bracket and driven from the water pump pulley. Use with conventionally cooled engines.
1	3821836	Link, Adjusting	1	
2	3883158	Support, Alternator	1	
3	3883157	Spacer, Mounting	2	
4	3040245	Screw, Hexagon Head Cap	1	M10 x 1.50 x 170
5	3029507	Spacer, Mounting	1	
6	3820876	Retainer, Adjusting Screw	1	
7	3044360	Nut, Regular Hexagon	1	M10 x 1.50
8	3335059	Screw, Hexagon Head Cap	1	M12 x 1.75 x 30
9	3009330	Washer, Plain	1	
10	70111	Screw, Hexagon Head Cap	1	1/2 - 20 x 6 inch
11	203310	Washer, Plain	1	
12	70897	Nut, Lock	1	1/2 - 20 UNF
13	3046204	Pulley, Alternator	1	
14	3017506	Screw, Hexagon Head Cap	2	M10 x 1.50 x 70
15	3037425	Belt, V Ribbed	1	
16	S-120	Screw, Hexagon Head Cap	1	3/8 - 16 x 1 3/4 inch

CLICK HERE TO **DOWNLOAD** THE COMPLETE MANUAL

- Thank you very much for reading the preview of the manual.
- You can download the complete manual from: [www.heydownloads.com](http://www.heydownloads.com) by clicking the link below



- Please note: If there is no response to CLICKING the link, please download this PDF first and then click on it.

CLICK HERE TO **DOWNLOAD** THE COMPLETE MANUAL