



93315-00330

December 2006

PARTS CATALOG

WHEEL LOADER

95ZV-2

HOT SLAG SPEC.

Powered by CUMMINS QSX15 Engine

Serial No. 97C5-5001 ~

CLICK HERE TO **DOWNLOAD** THE COMPLETE MANUAL

- Thank you very much for reading the preview of the manual.
- You can download the complete manual from: www.heydownloads.com by clicking the link below



- Please note: If there is no response to CLICKING the link, please download this PDF first and then click on it.

CLICK HERE TO **DOWNLOAD** THE COMPLETE MANUAL

⑦ SERIAL(A) • SERIAL(B) (applicable chassis Nos.)

SERIAL(A) : Indicates the application start chassis No.

SERIAL(B) : Indicates the application end chassis No.

However, the torque converter, the transmission and the cab are different from the chassis No. (The serial number shown is for the component – not the machine or chassis.)

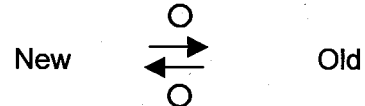
⑧ REMARKS: [N] (not for sale)

Parts not for sale are indicated as "N".

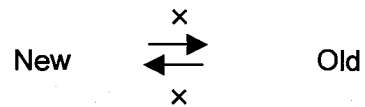
⑨ REMARKS: [P] (parts compatibility)

The parts compatibility is indicated in symbols, A, B and C having the following meanings:

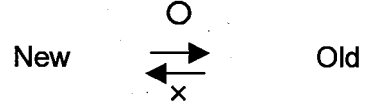
[A] A new part and an old part are completely interchangeable with each other.



[B] A new part and an old part are not interchangeable with each other.



[C] A new part is an alternative of an old part. In this case, an old part is not interchangeable with a new part.



⑩ REMARKS: [D]

[D] Indicates that the part is deleted.

[H] Indicates that production or supply of the part is stopped. An alternative is shown just below.

⑪ REMARKS: [(A)], [(B)], [(C)], [(D)]

Symbols indicated in this column have the following meanings.

(1) Assembly parts

(a) 01 - : Indicates parts which make up the assembly parts.

(b) Y01 - : Indicates assembly parts which is made up of the parts 01,02-09.

[Example 1] (Refer to the list in the previous page.)

The part 1A 34256-20050 front chassis has Y01 in the Remarks column, it means that the Front chassis includes the parts with 01[41A and 42A] in the Remarks column.

(2) Kit parts

(a) K1 - : Indicates parts which make up the kit.

(b) QK1 - : Indicates a kit which is made up of parts K1 -, K2 -.

(3) Parts which has a interchangeability when replace with the other related parts.

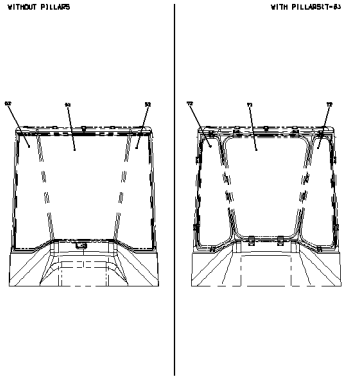
(a) A1 - : Indicates parts which need to make a interchangeability.

(b) WA1~ : Indicates parts which have a interchangeability when replace with A1 parts.

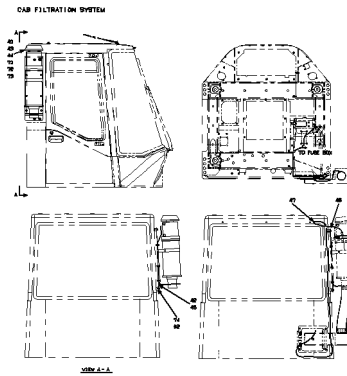
[Example 2] (Refer to the list in the previous page.)

The part 3B 44344-70020 [WA1] can replace the old part 3A 44340-70210 only if the plate 4B 41605-41290 [A1] is also replaced together.

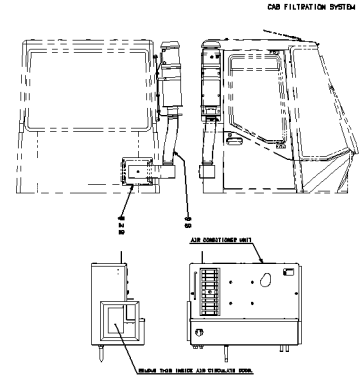
WINDOW GLASS MOUNT
.....p.104



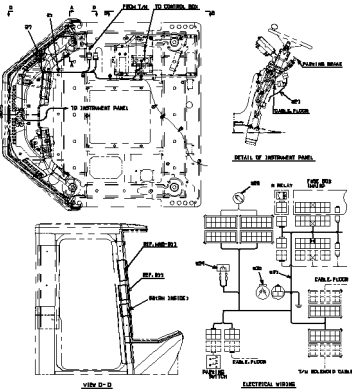
CAB ACCESSORIES MOUNT
.....p.107



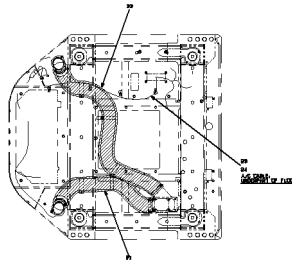
CAB ACCESSORIES MOUNT
.....p.108



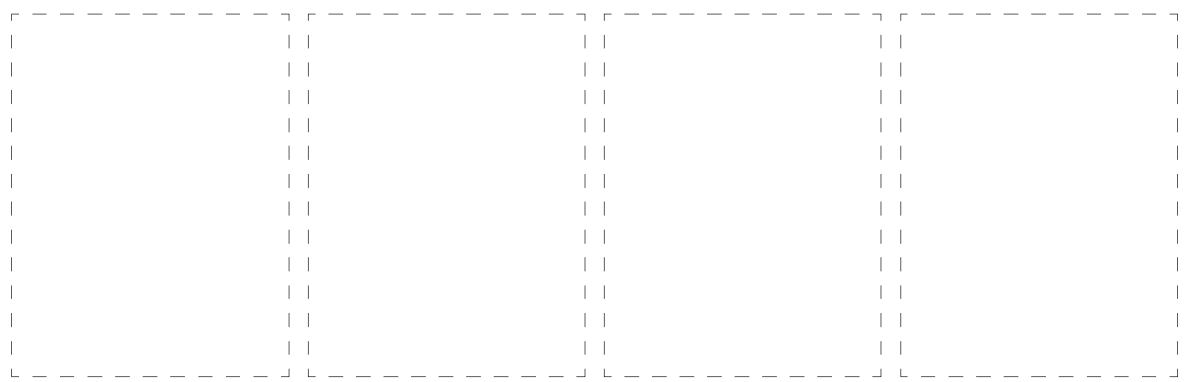
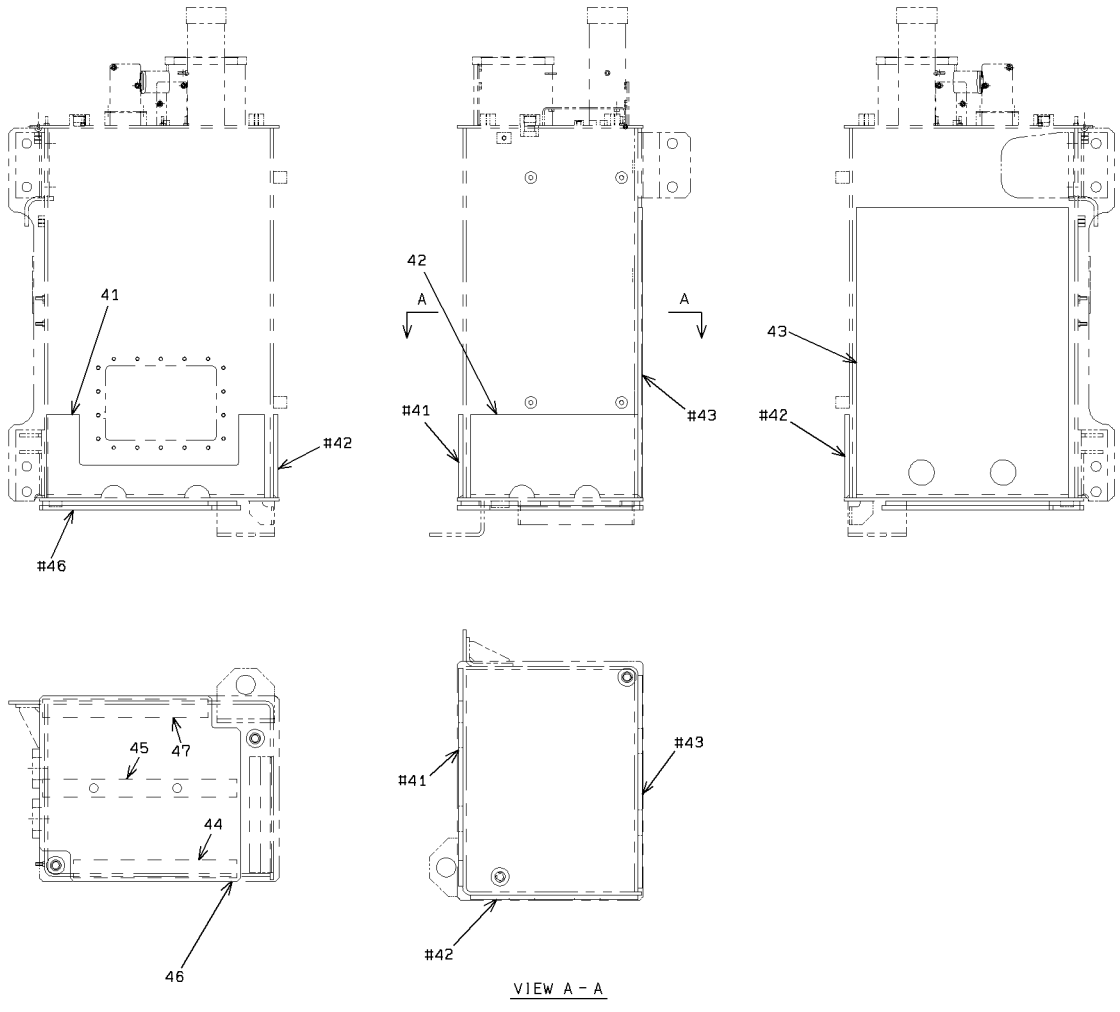
CAB OPTION PARTS
.....p.111



AIR DUCT MOUNT
.....p.113

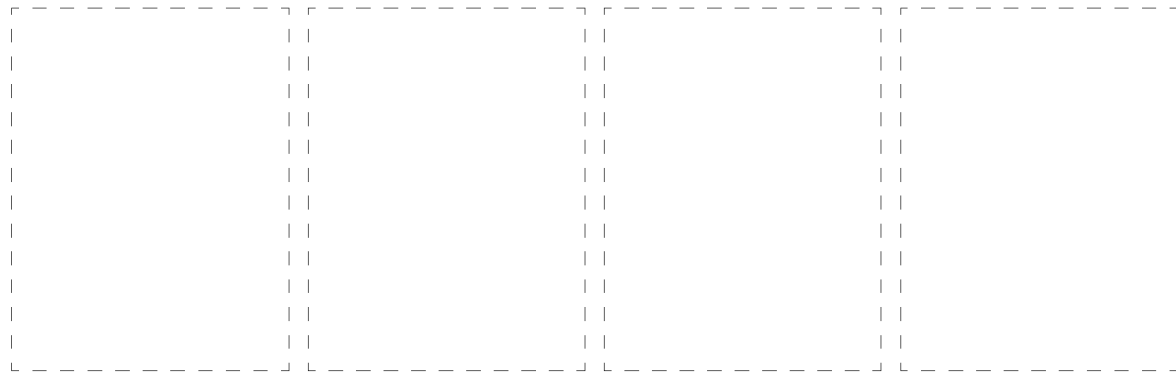
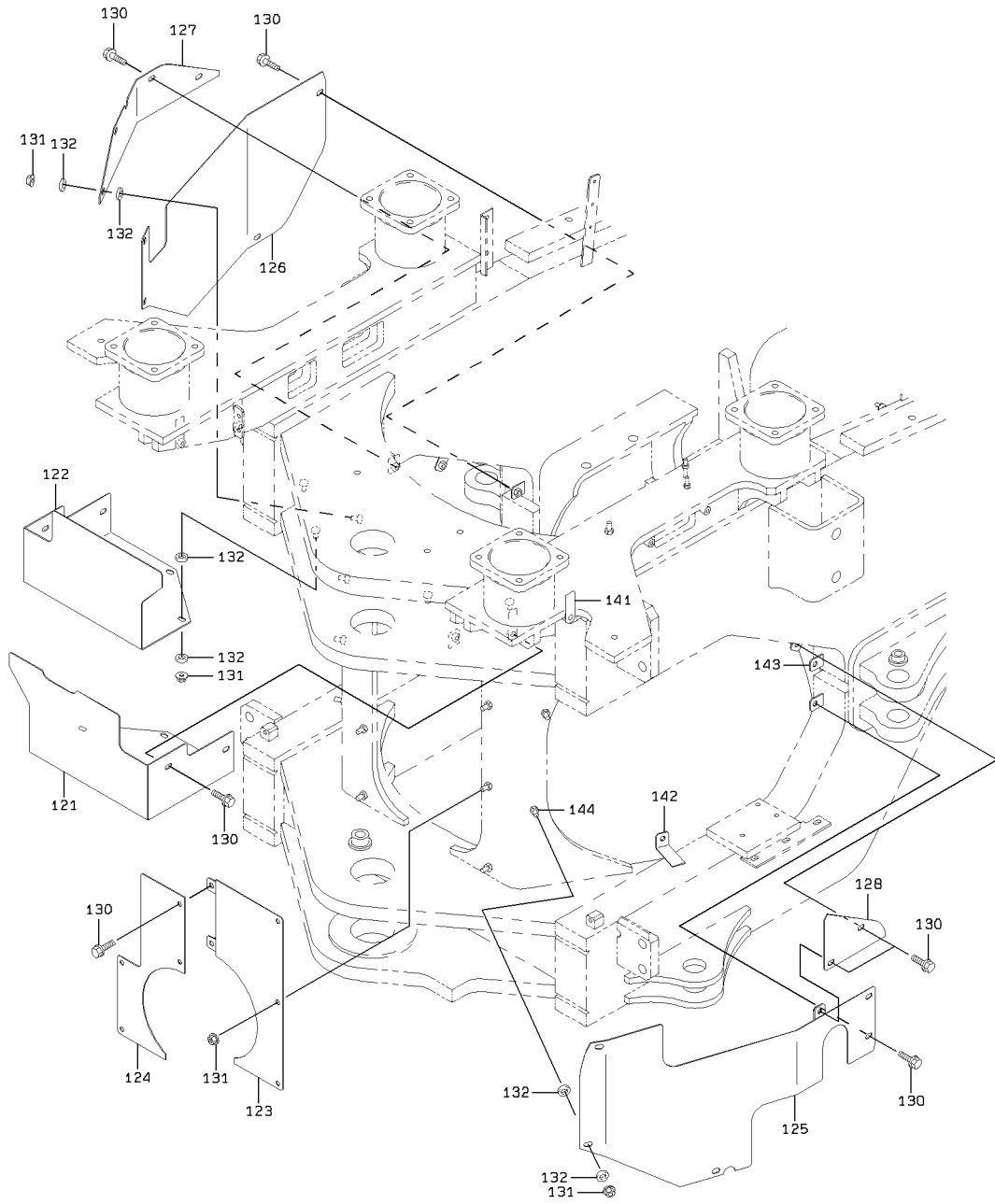


OIL TANK GROUP



2-A

COVER MOUNT



2-A

MEMO

CLICK HERE TO **DOWNLOAD** THE COMPLETE MANUAL

- Thank you very much for reading the preview of the manual.
- You can download the complete manual from: www.heydownloads.com by clicking the link below



- Please note: If there is no response to CLICKING the link, please download this PDF first and then click on it.

CLICK HERE TO **DOWNLOAD** THE COMPLETE MANUAL

MEMO

MEMO

CLICK HERE TO **DOWNLOAD** THE COMPLETE MANUAL

- Thank you very much for reading the preview of the manual.
- You can download the complete manual from: www.heydownloads.com by clicking the link below



- Please note: If there is no response to CLICKING the link, please download this PDF first and then click on it.

CLICK HERE TO **DOWNLOAD** THE COMPLETE MANUAL