



93311-00290

May 2008

0

85ZV-2

CUMMINS QSC8.3

# ***PARTS CATALOG***

## ***WHEEL LOADER***

# ***85ZV-2***

HGB

93311-00290

FOR EXPORT

Powered by CUMMINS QSC8.3 Engine

Serial No. 85C5-0101 ~

CLICK HERE TO **DOWNLOAD** THE COMPLETE MANUAL

- Thank you very much for reading the preview of the manual.
- You can download the complete manual from: [www.heydownloads.com](http://www.heydownloads.com) by clicking the link below



- Please note: If there is no response to CLICKING the link, please download this PDF first and then click on it.

CLICK HERE TO **DOWNLOAD** THE COMPLETE MANUAL

## ⑫ REMARKS

The other major remarks are shown below:

- (1) REF 618 : Indicates the section No. 618.
- (2) FR LH : Indicates the left side toward the machine forward direction.
- (3) FR RH : Indicates the right side toward the machine forward direction.
- (4) D80×185L : Indicates "diameter = 80 mm, length = 185 mm".
- (5) (01) ~ : Indicates a component of a repair kit Y01~ of the section No. 391.
- (6) (K1) ~ : Indicates a component of a repair kit QK1~ of the section No. 391.
- (7) (K) : Indicates a component of the section No. 391.
- (8) Old parts No. • reference parts No., etc.

### (Note)

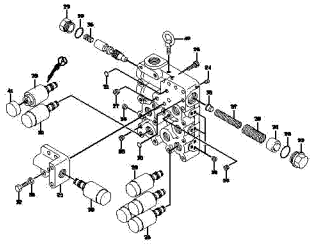
1. Parts without an item or symbol number in illustrations cannot be supplied in the form of single parts.
2. Parts shown in this catalog may be deleted, changed or specified as "not for sale" without prior notice.

### WARNING :

1. The purpose in issuing this parts catalog is to use for clarifying the parts and for placing the parts order to your Kawasaki loader dealer.
2. You also can use this parts catalog to exchange parts information between you and your Kawasaki loader dealer for clarifying the parts.
3. You must not perform any repair, disassembly and reassembly work on the machine. Contact your Kawasaki loader dealer and ask him to do the above work.

**TRANSMISSION  
CONTROL VALVE**  
.....p.127

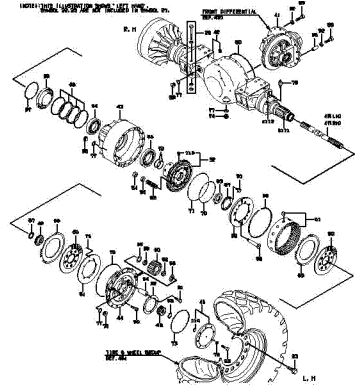
IDENTIFY PARTIAL NUMBER INDICATED THE TRANSMISSION SERIAL NUMBER.



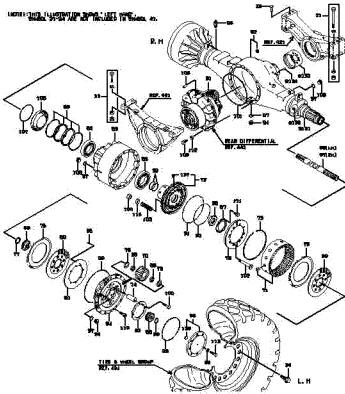
**REPAIR KIT**  
.....p.129

LIST ONLY

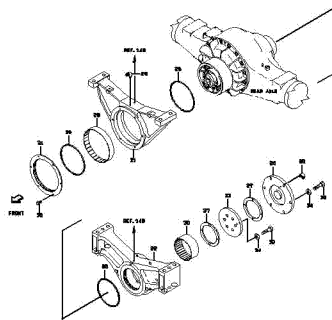
**FRONT AXLE GROUP**  
.....p.131



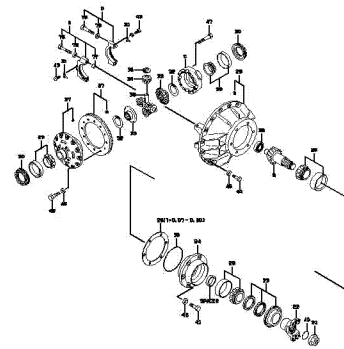
**REAR AXLE GROUP**  
.....p.133



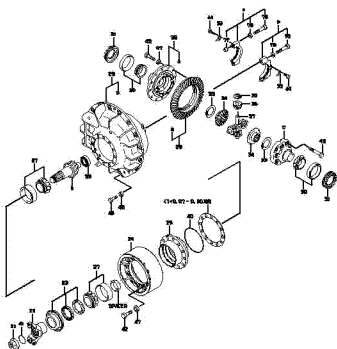
**AXLE SUPPORT GROUP**  
.....p.135



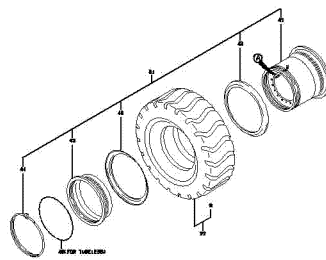
**FRONT DIFFERENTIAL**  
.....p.137



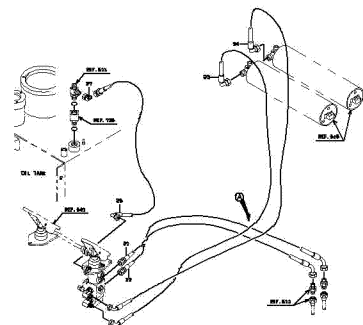
**REAR DIFFERENTIAL**  
.....p.139



**TIRE & WHEEL GROUP**  
.....p.141

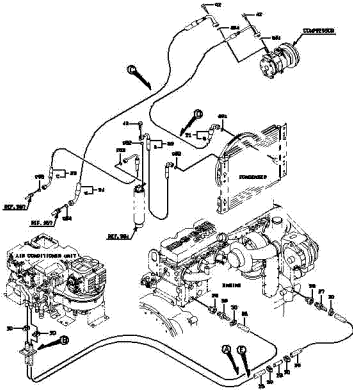


**BRAKE LINE - FLOOR  
BOARD(HOSE)**  
.....p.143



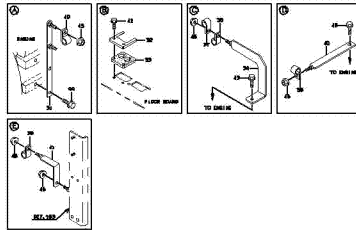
**AIR CONDITIONER LINE -  
REAR CHASSIS**

.....p.305



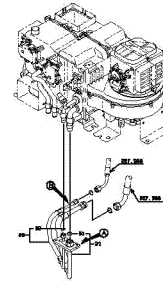
**AIR CONDITIONER LINE -  
REAR CHASSIS**

.....p.306



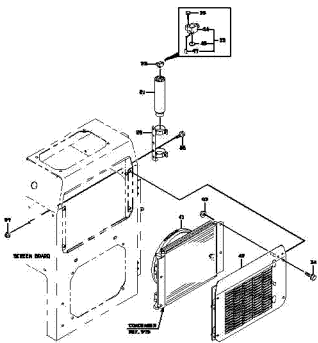
**AIR CONDITIONER LINE -  
FLOOR BOARD**

.....p.309



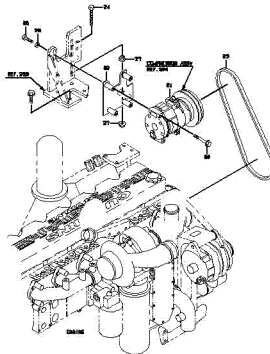
**CONDENSER & COVER  
MOUNT**

.....p.311



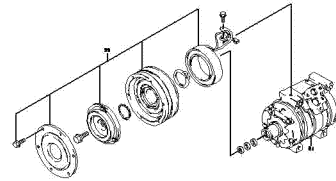
**COMPRESSOR MOUNT**

.....p.313



**COMPRESSOR ASSY**

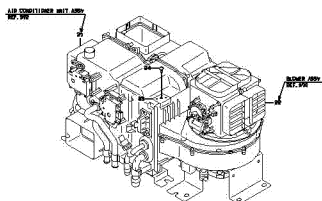
.....p.315



**AIR CONDITIONER UNIT  
MOUNT**

.....p.317

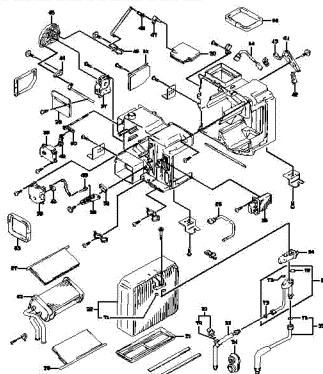
LIGHT BULB NUMBER INDICATES THE AIR CONDITIONER UNIT SERIAL NUMBER.



**AIR CONDITIONER UNIT  
ASSY**

.....p.319

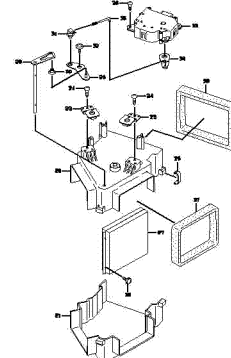
LIGHT BULB NUMBER INDICATES THE AIR CONDITIONER UNIT SERIAL NUMBER.



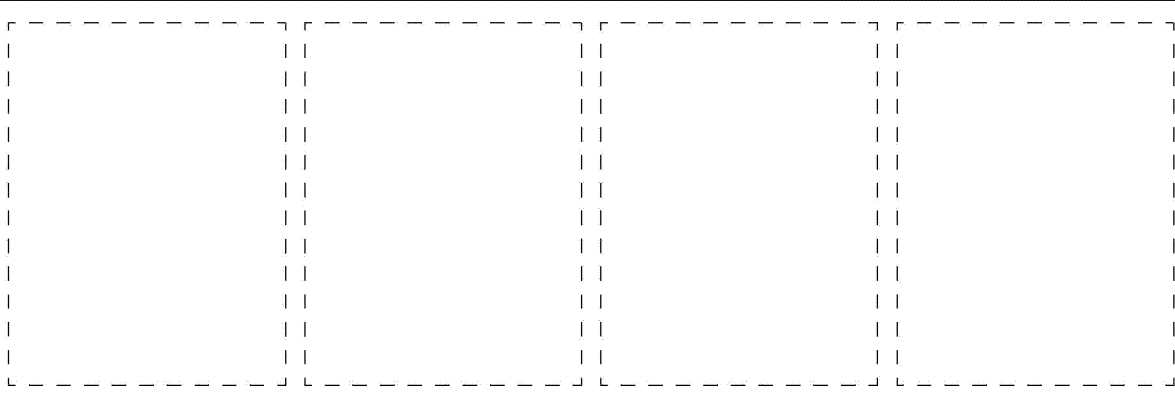
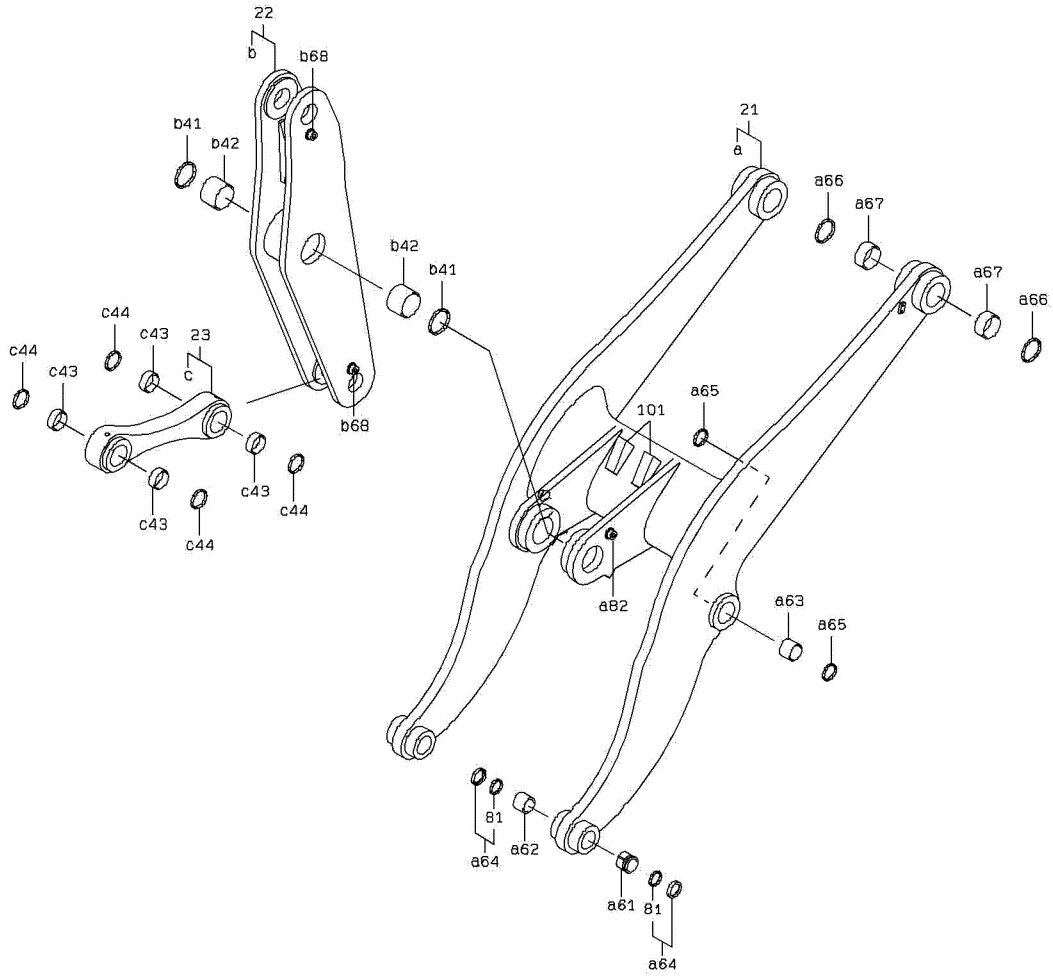
**AIR DAMPER**

.....p.321

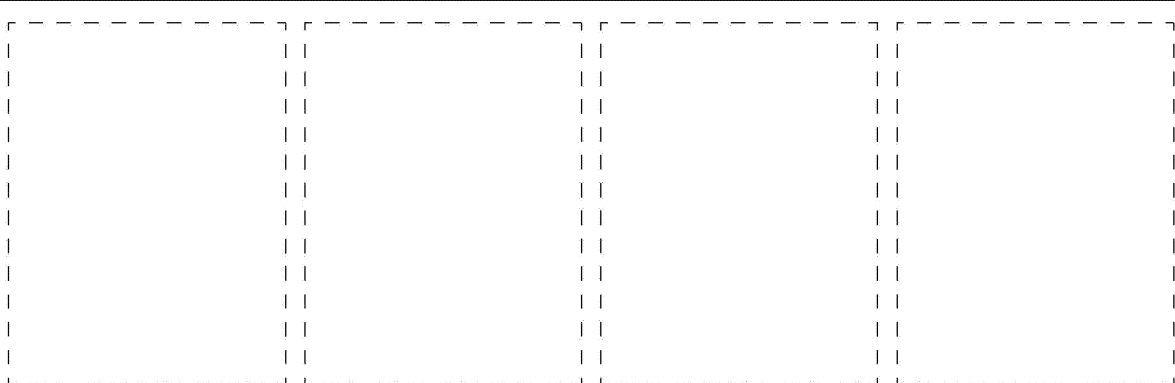
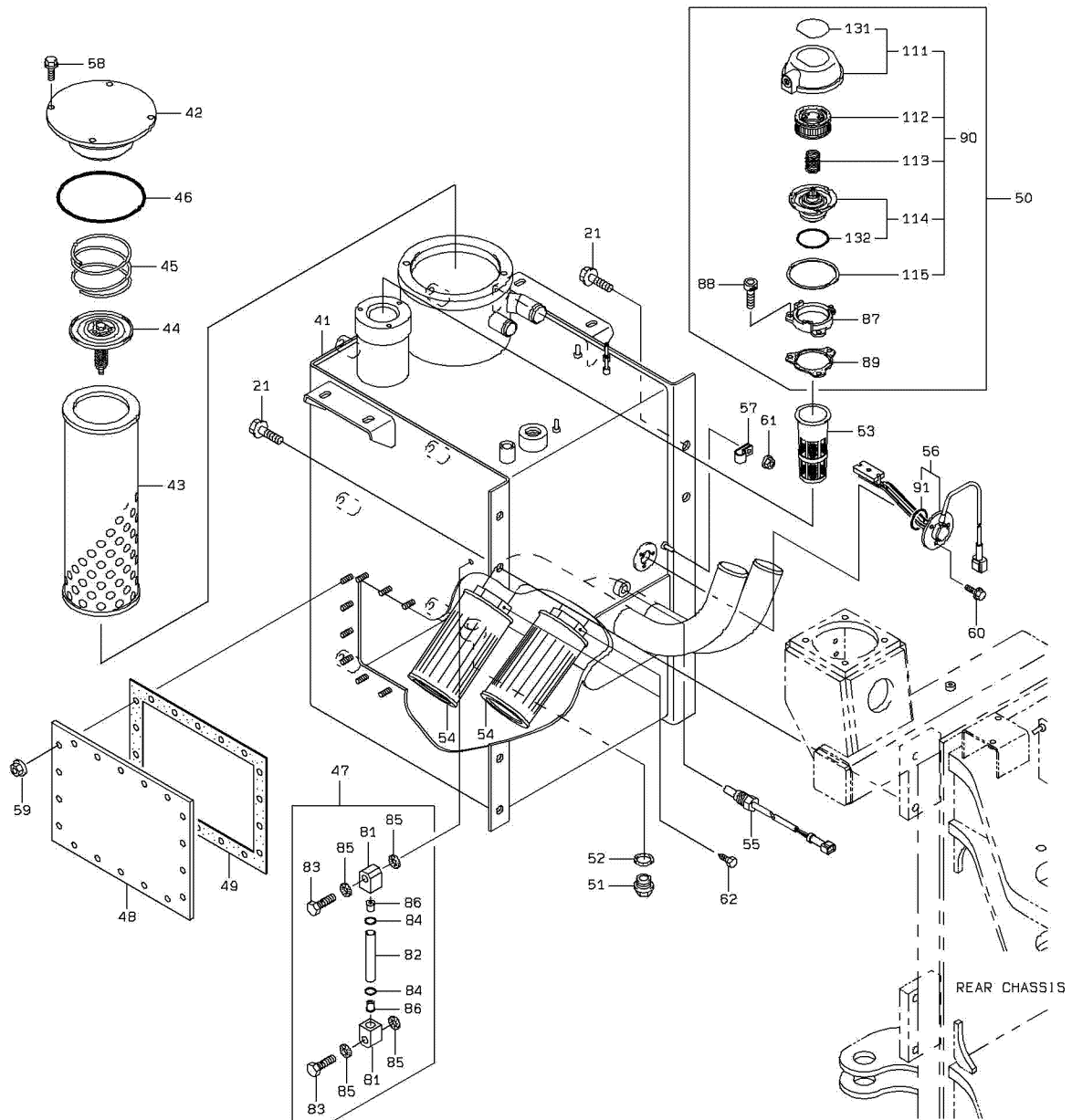
LIGHT BULB NUMBER INDICATES THE AIR DAMPER SERIAL NUMBER.



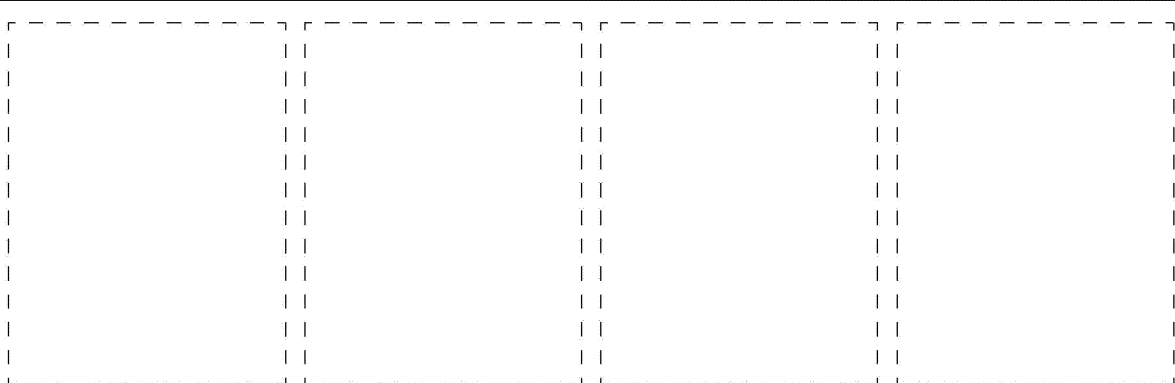
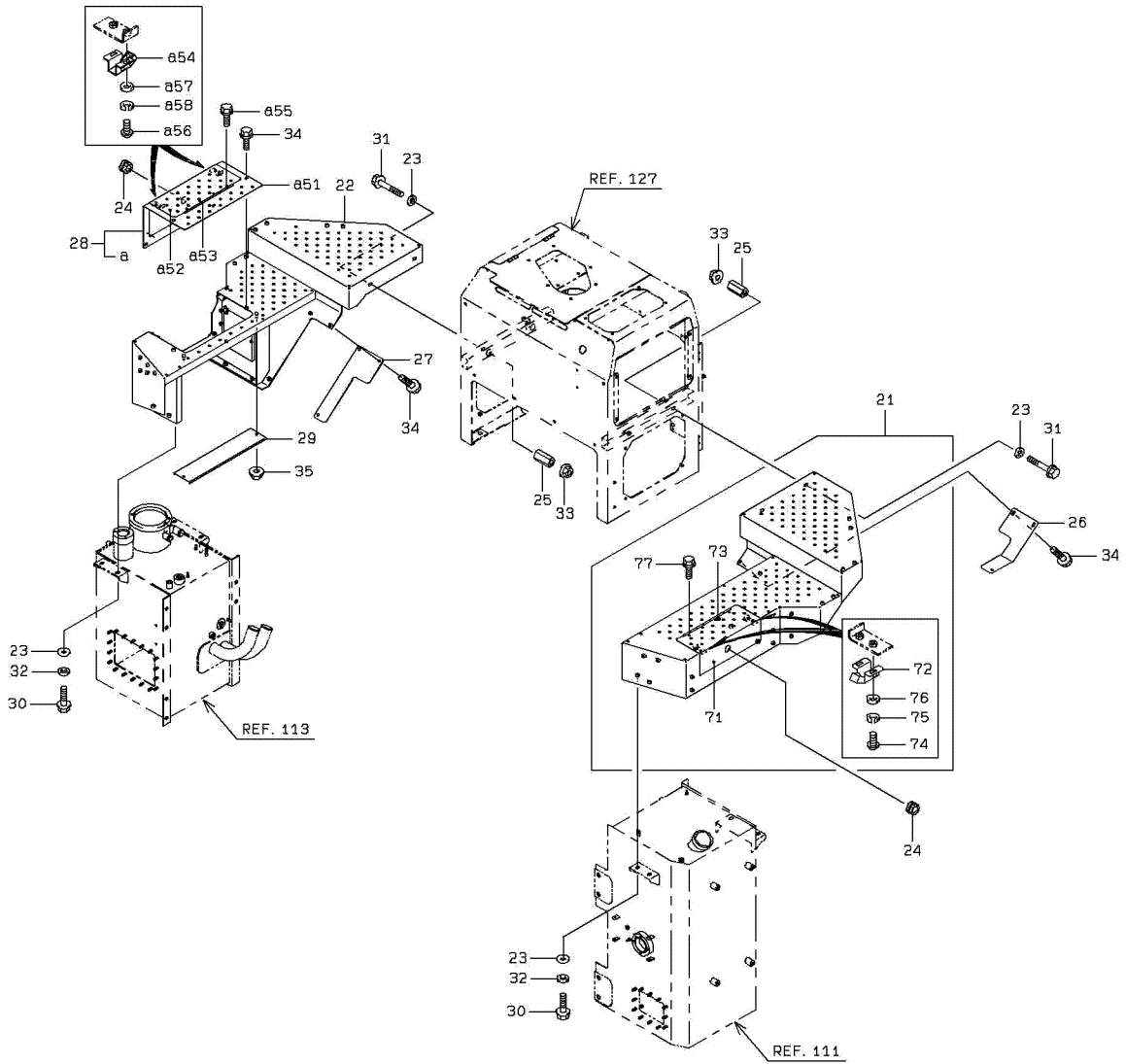
# LIFT ARM GROUP



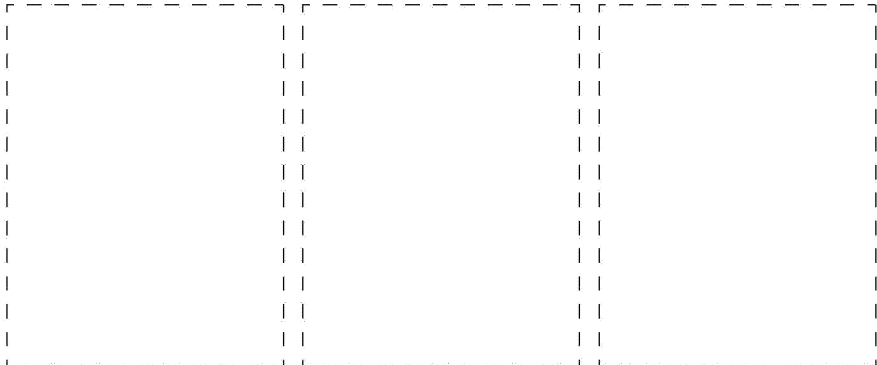
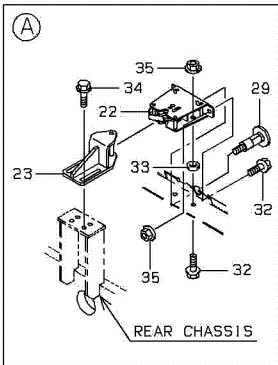
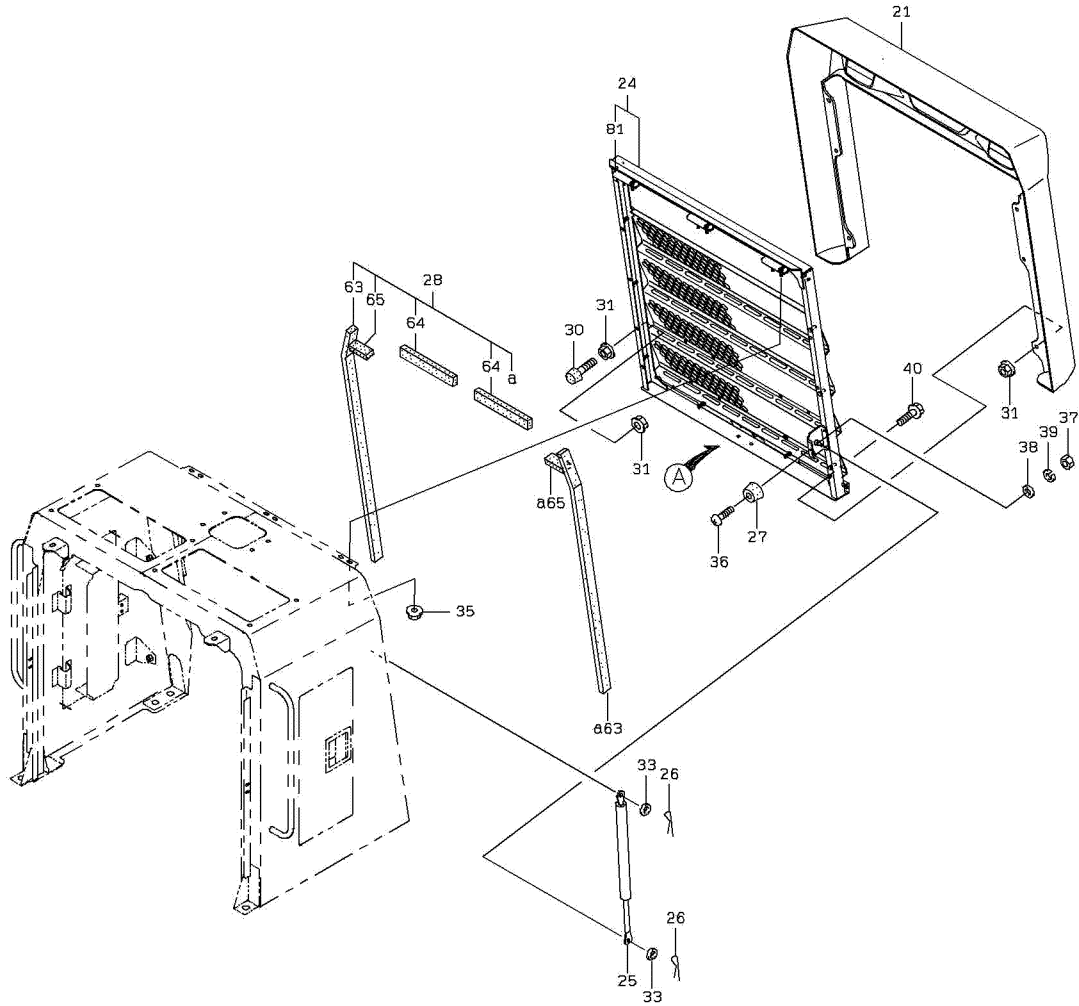
# OIL TANK GROUP



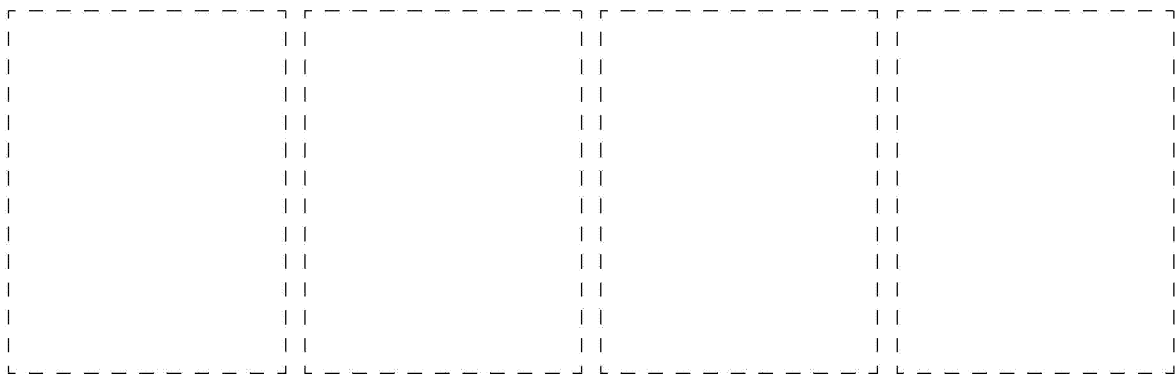
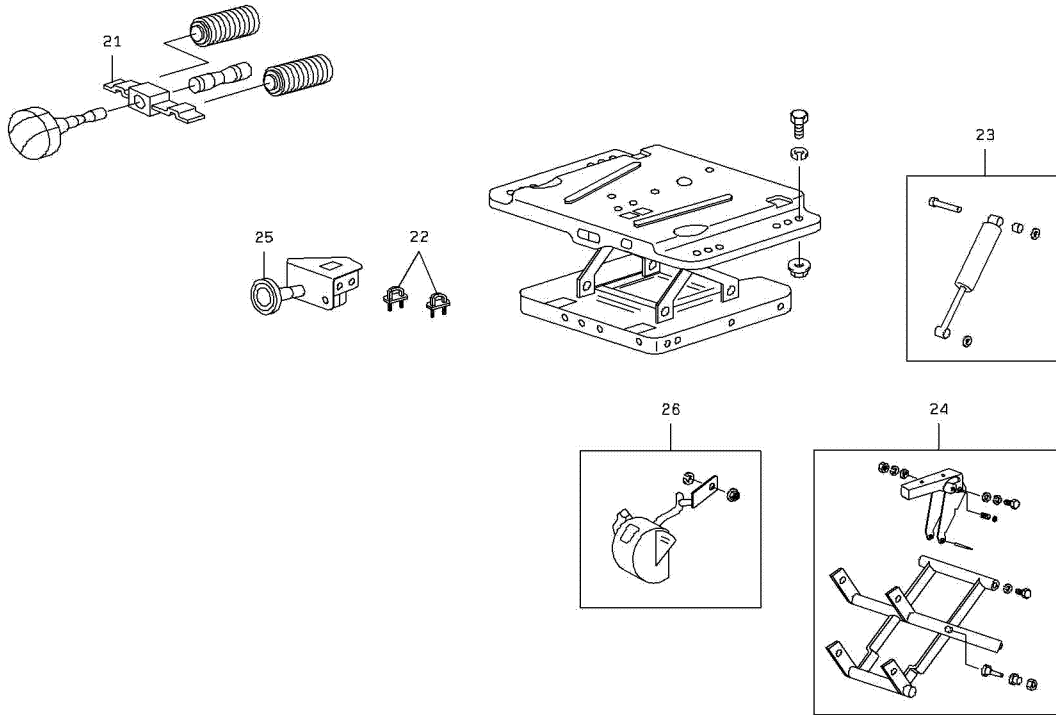
# DECK & FENDER GROUP



# REAR GRILLE GROUP



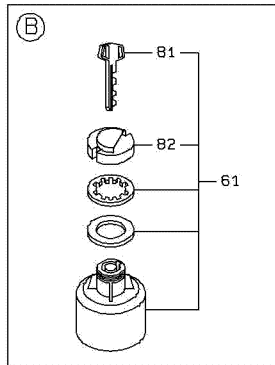
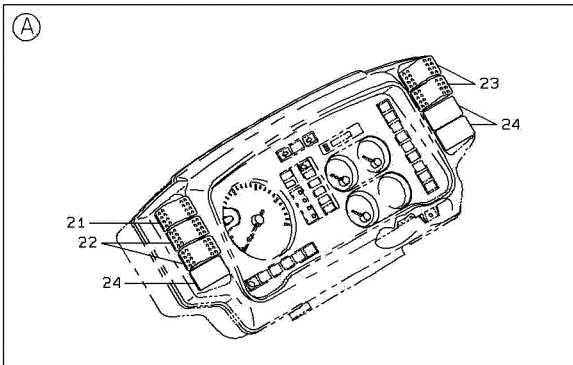
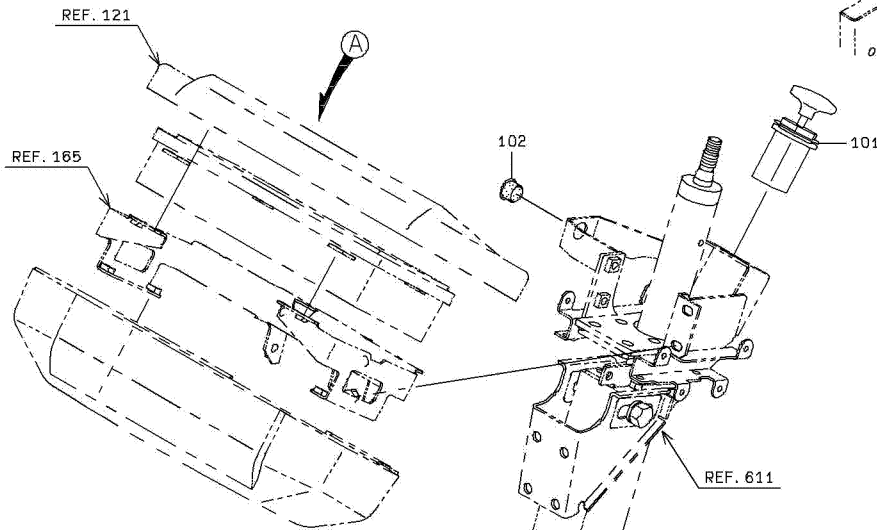
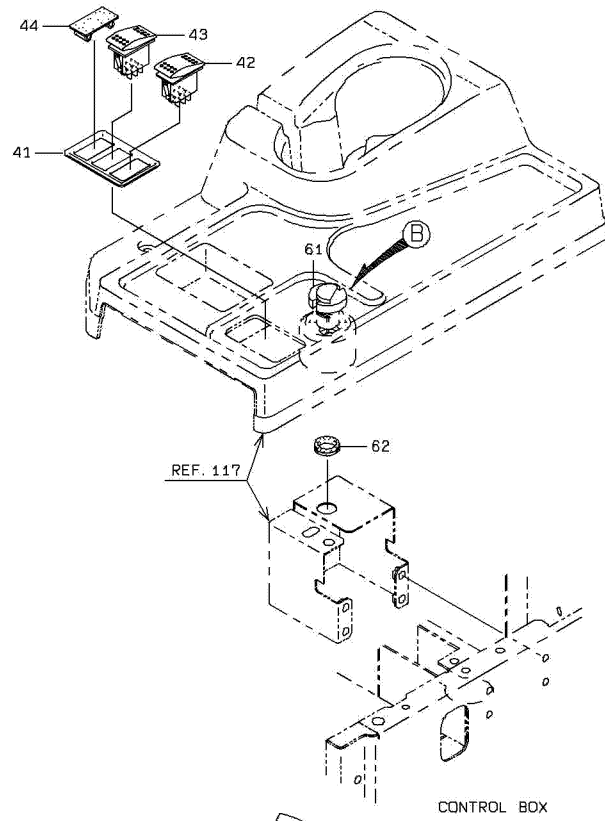
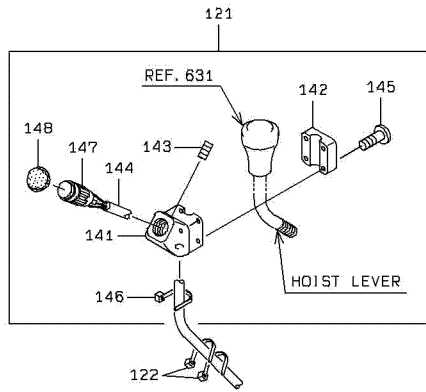
# SUSPENSION



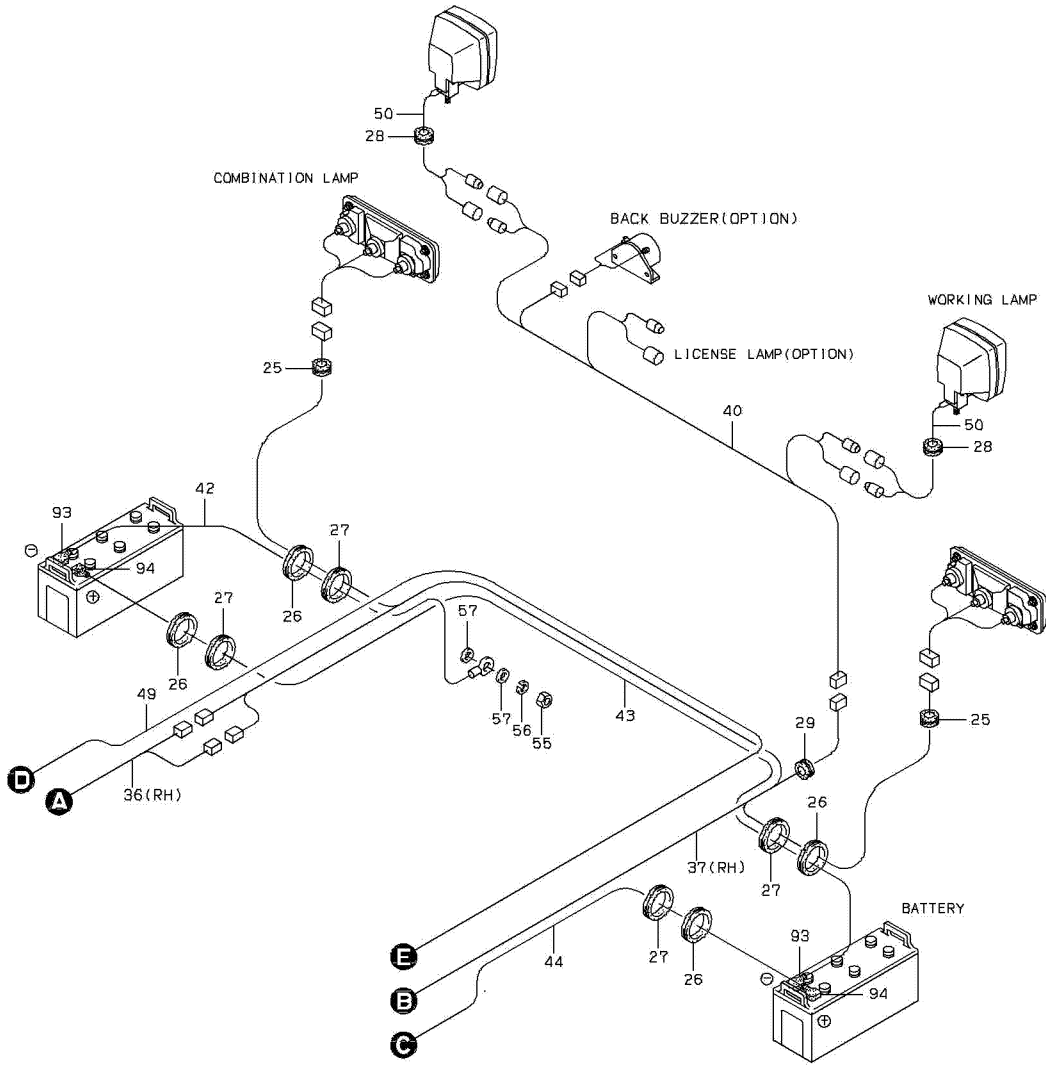
## ELECTRICAL PARTS MOUNT

SYM-BOL	PART NUMBER	PART NAME	UNIT Q,TY	SERIAL (A) - (B)	REMARKS						
					N	P	D	(A)	(B)	(C)	(D)
21A	33410-62740	CONTROLLER UNIT	1	137 -							
22A	61033-06060	BOLT	5	137 -							
23A	61802-06016	BOLT,FLANGED	3	137 -							
24A	61802-08012	BOLT,FLANGED	4	137 -							
25A	62721-06100	WASHER,SPRING	5	137 -							
26A	62701-40061	WASHER,PLANE	5	137 -							
41A	43871-20510	BOX,FUSE	1	137 -			Y01				
42A	43871-20520	BOX,FUSE	1	137 -				Y02			
43A	62256-51620	SCREW	4	137 -							
44A	62721-06100	WASHER,SPRING	4	137 -							
61A	39880-70130	FUSE	4	137 -				01			24V5A
62A	39880-70110	FUSE	3	137 -				01			24V10A
63A	39880-70100	FUSE	8	137 -				01			24V15A
64A	39880-70090	FUSE	2	137 -				01			24V20A
65A	39880-70340	FUSE	2	137 -				01			24V30A
66A	39880-70120	FUSE	1	137 -					02		24V3A
67A	39880-70130	FUSE	6	137 -					02		24V5A
68A	39880-70110	FUSE	6	137 -					02		24V10A
69A	39880-70100	FUSE	2	137 -					02		24V15A
70A	39880-70090	FUSE	4	137 -					02		24V20A
91A	41751-39440	PLATE	1	137 -							
92A	45050-70310	RELAY	8	137 -							
93A	40810-20020	BUZZER	1	137 -							
94A	45050-70350	RELAY	3	137 -							
95A	45050-70290	RELAY	1	137 -							
96A	40495-60020	FLASHER UNIT	2	137 -							
97A	45050-60090	RELAY	1	137 -							
98A	41195-60020	BREAKER,CIRCUIT	1	137 -							
99A	61802-06012	BOLT,FLANGED	16	137 -							
100A	62256-51416	SCREW	2	137 -							
101A	62721-04100	WASHER,SPRING	2	137 -							
102A	62701-20041	WASHER,PLANE	2	137 -							
103A	62480-21061	NUT,FLANGED	2	137 -							
121A	61802-10020	BOLT,FLANGED	2	137 -							
141A	41751-58260	PLATE	1	137 -							
142A	45058-20010	RELAY,BATTERY	1	137 -							
143A	50401-02460	RELAY	1	137 -							
144A	62480-21081	NUT,FLANGED	2	137 -							
145A	62480-21061	NUT,FLANGED	2	137 -							
161A	61802-08025	BOLT,FLANGED	2	137 -							
181A	41752-22420	PLATE	1	137 -							
182A	41600-48260	PLATE	2	137 -							
183A	39880-70220	FUSE	1	137 -							24V70A
184A	39880-70250	FUSE	1	137 -							24V30A
185A	43871-20190	BOX,FUSE	2	137 -					Y03		
186A	50401-00140	SWITCH,MAGNET	1	137 -							
187A	62256-51616	SCREW	2	137 -							
188A	62480-21061	NUT,FLANGED	4	137 -							
201A	43871-70150	BOX,FUSE	1	137 -						03	
202A	39880-70220	FUSE	1	137 -						03	24V70A

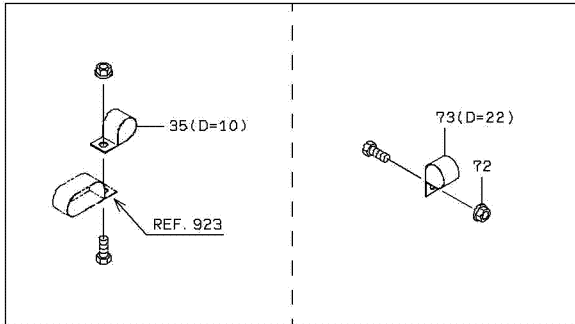
# RELAY & SWITCH MOUNT



# ELECTRICAL WIRING - REAR CHASSIS

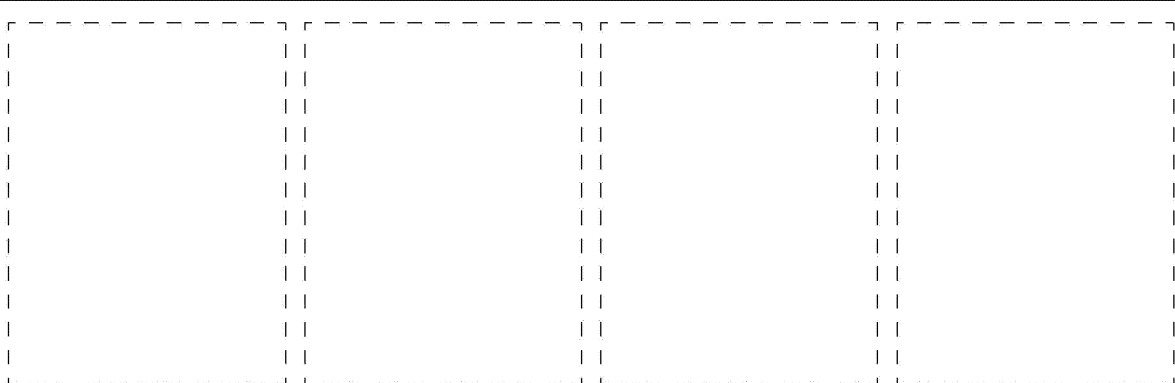
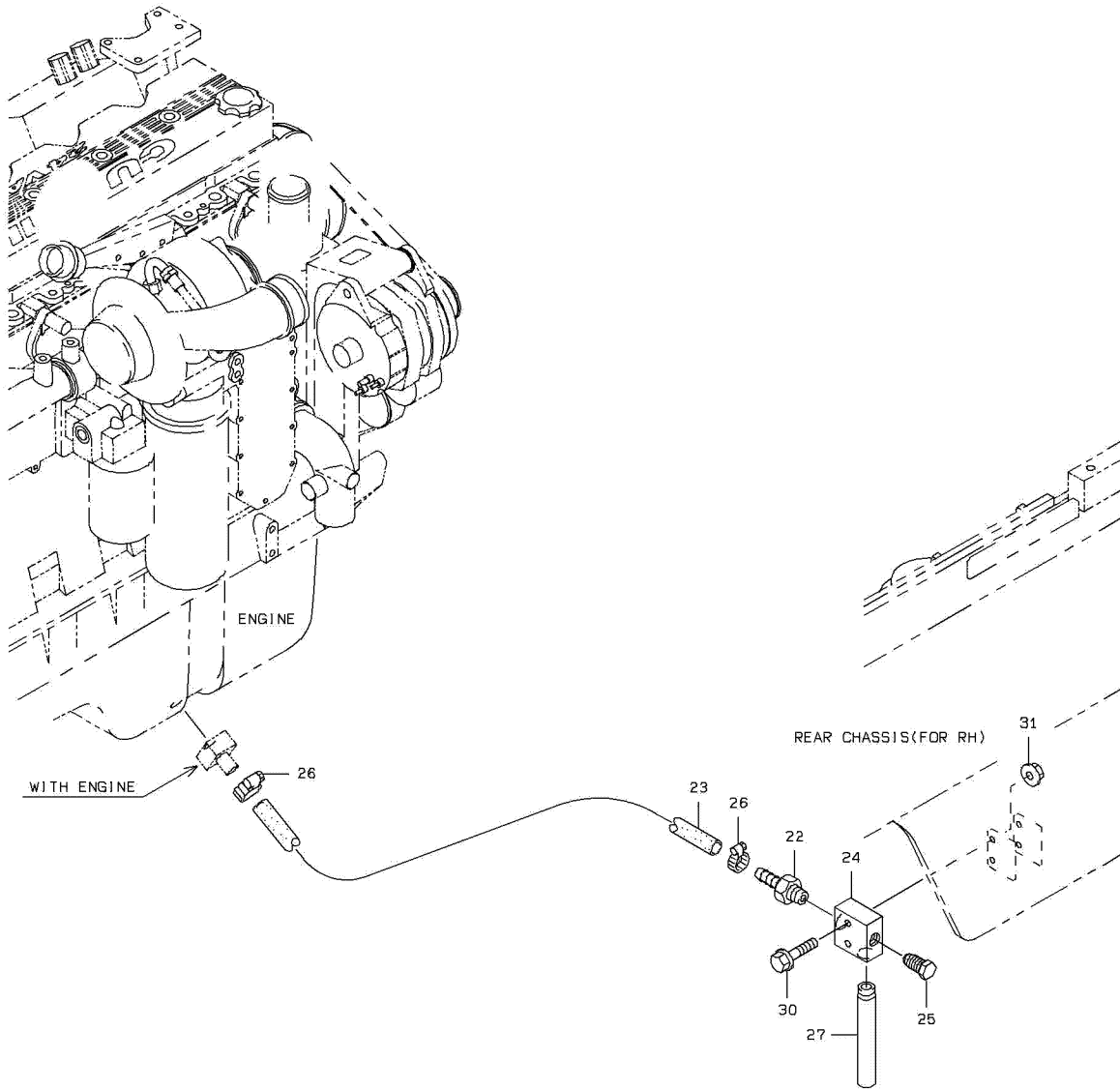


## DETAIL OF PIPE HOLDER

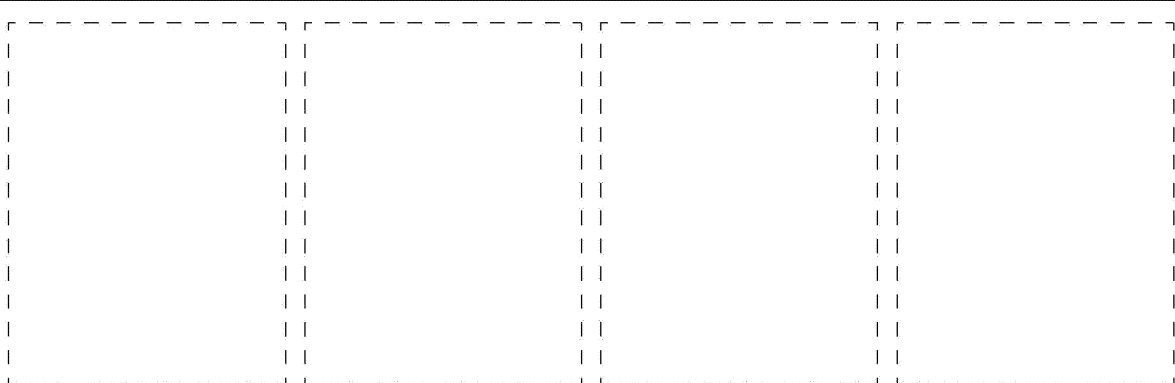
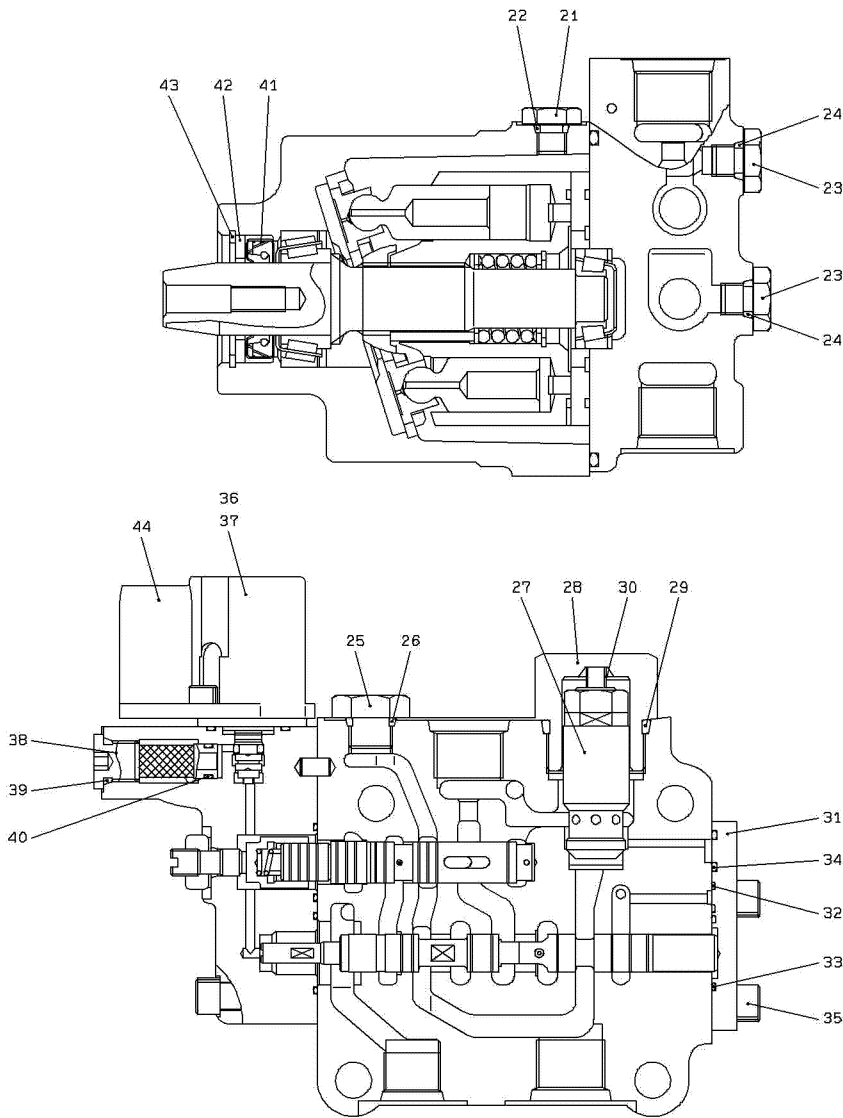


3-A

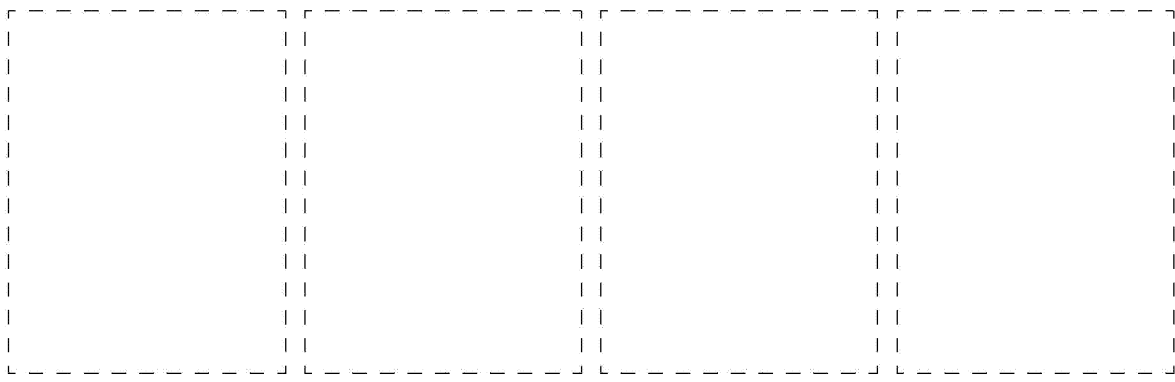
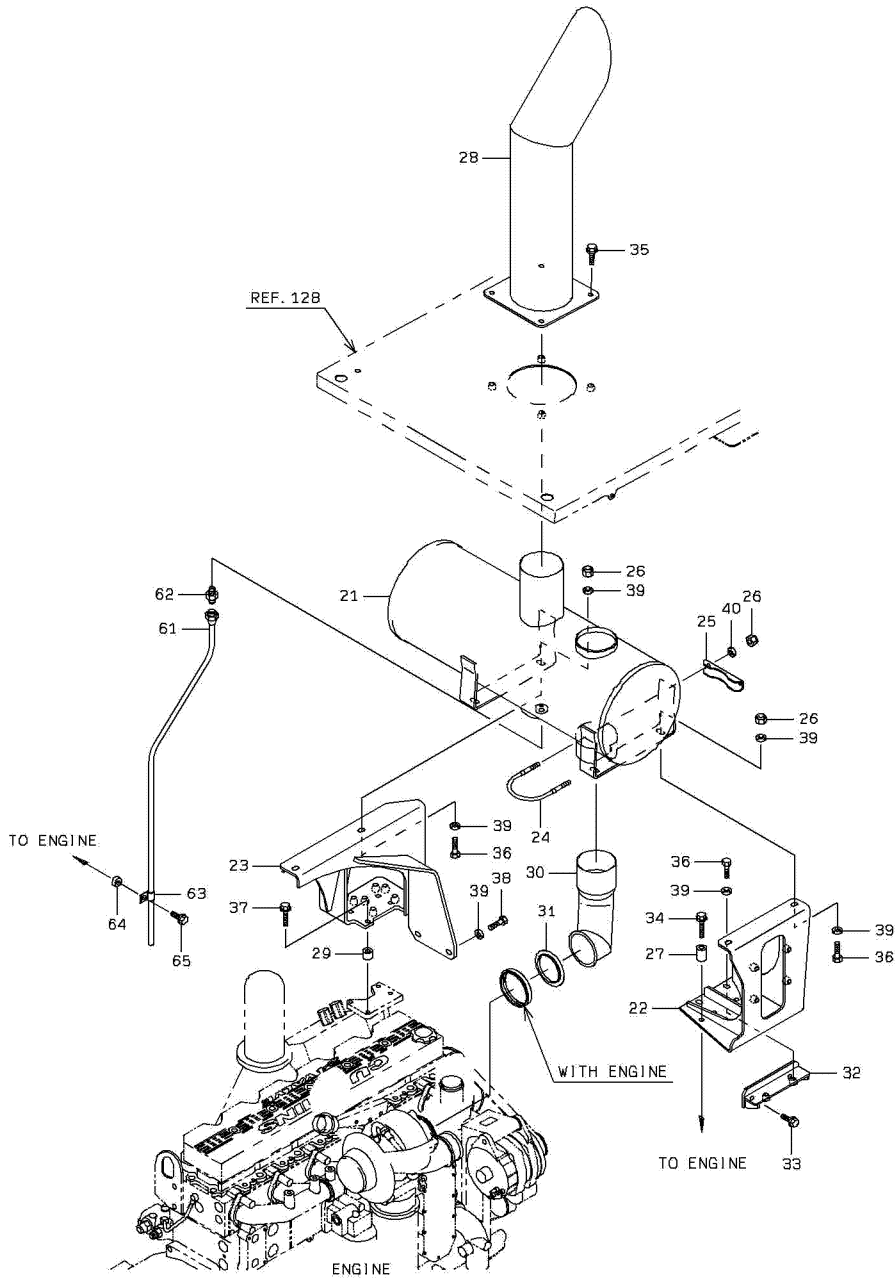
# DRAIN LINE



# FAN MOTOR

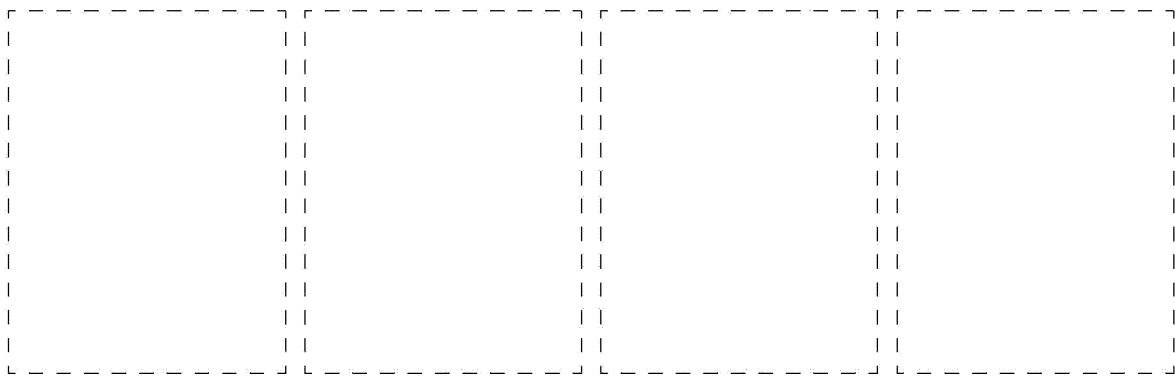
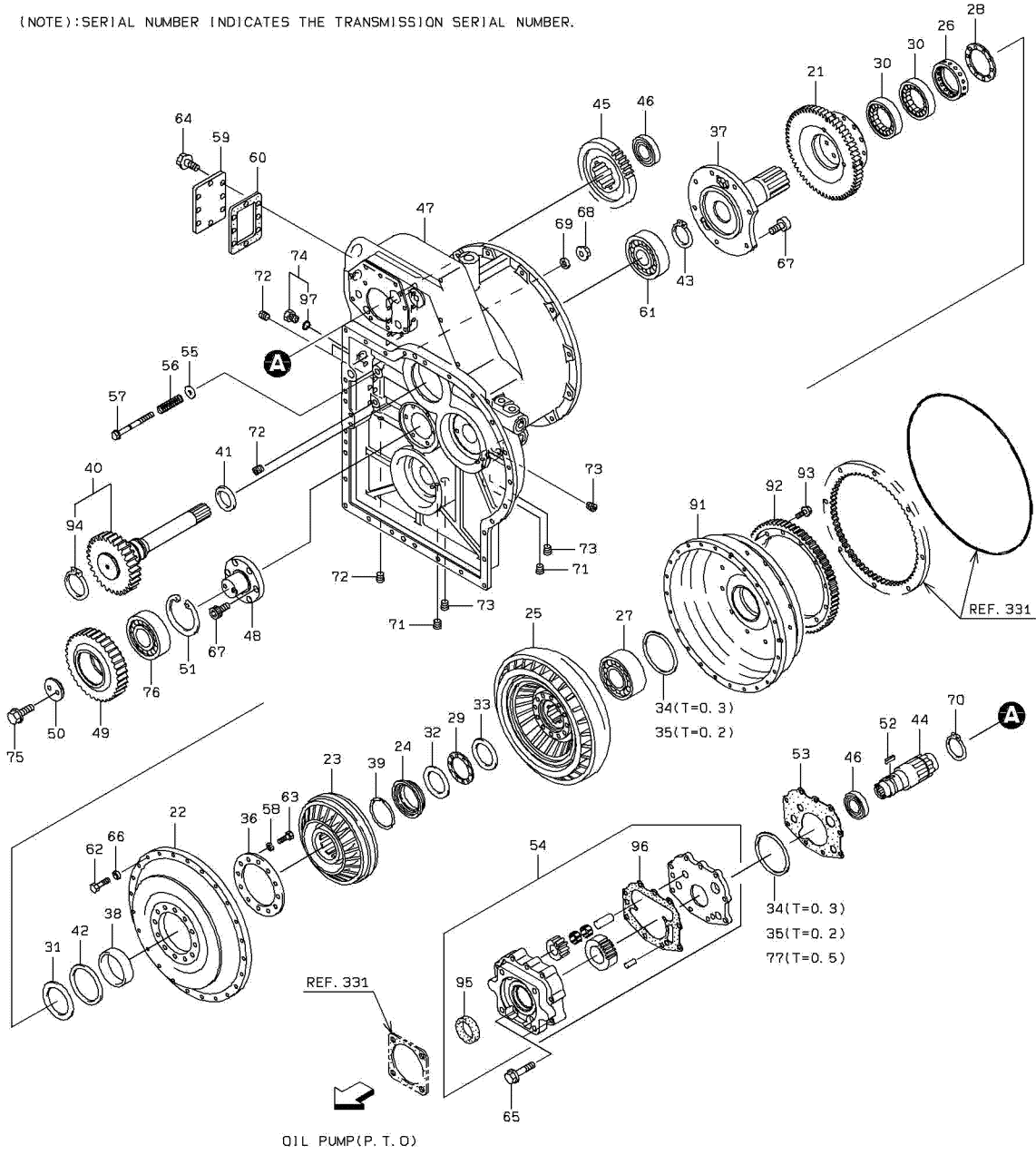


# EXHAUST GROUP



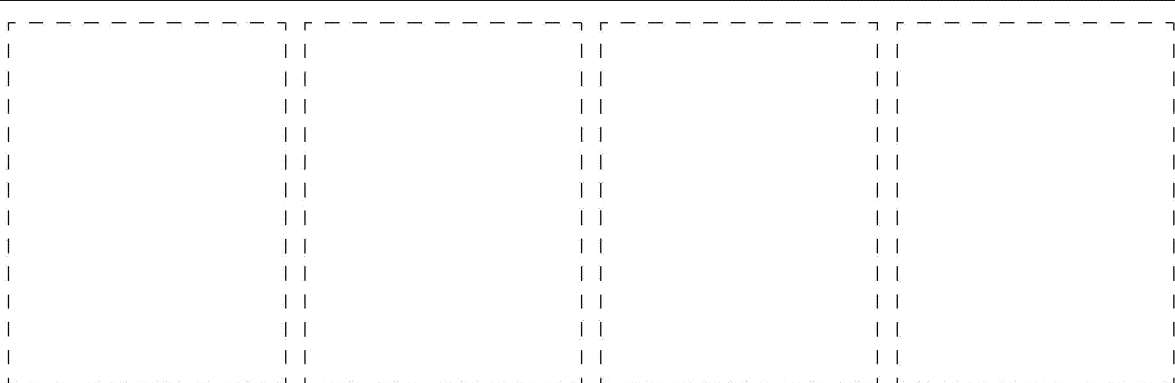
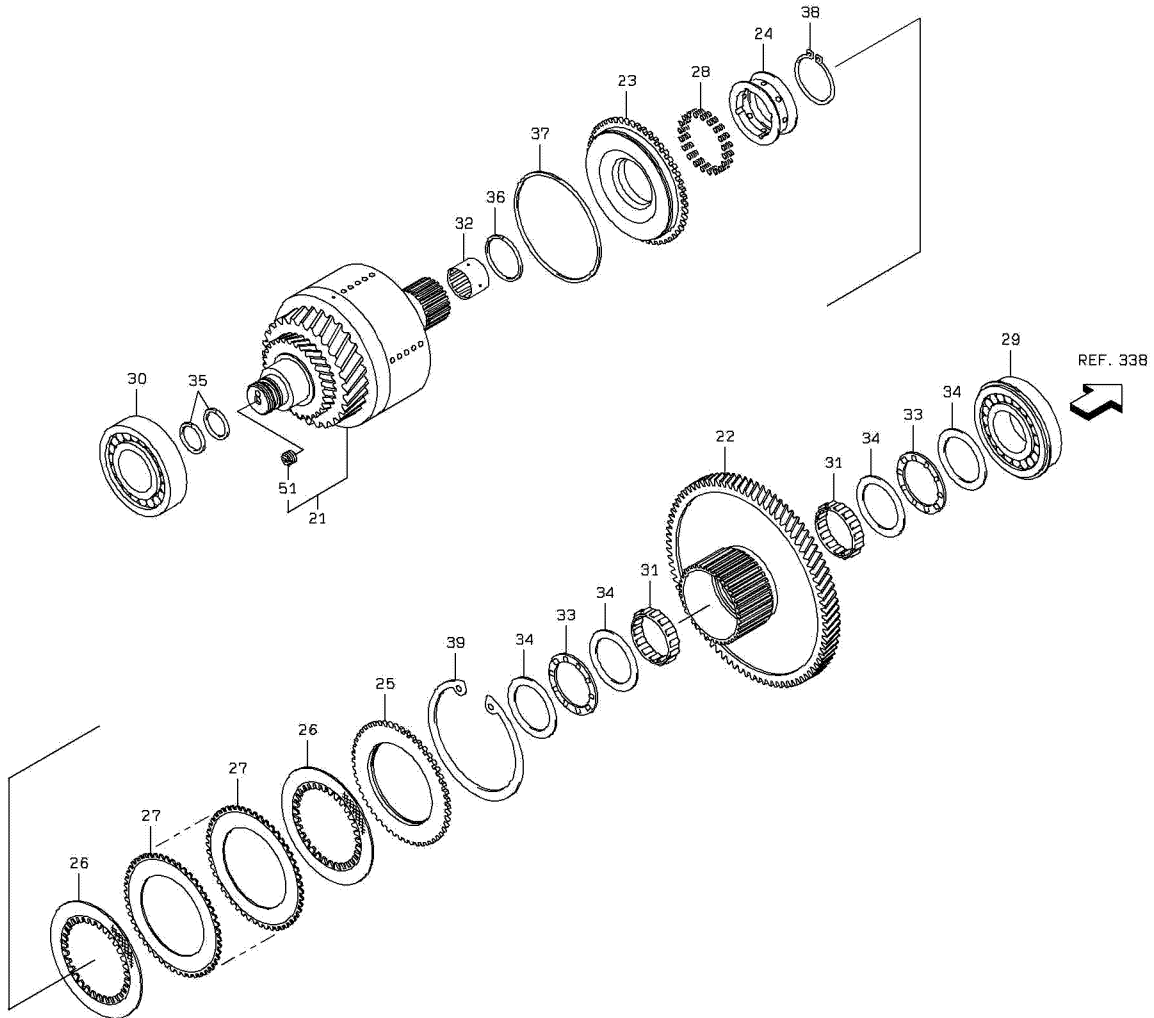
# TORQUE CONVERTER

(NOTE): SERIAL NUMBER INDICATES THE TRANSMISSION SERIAL NUMBER.



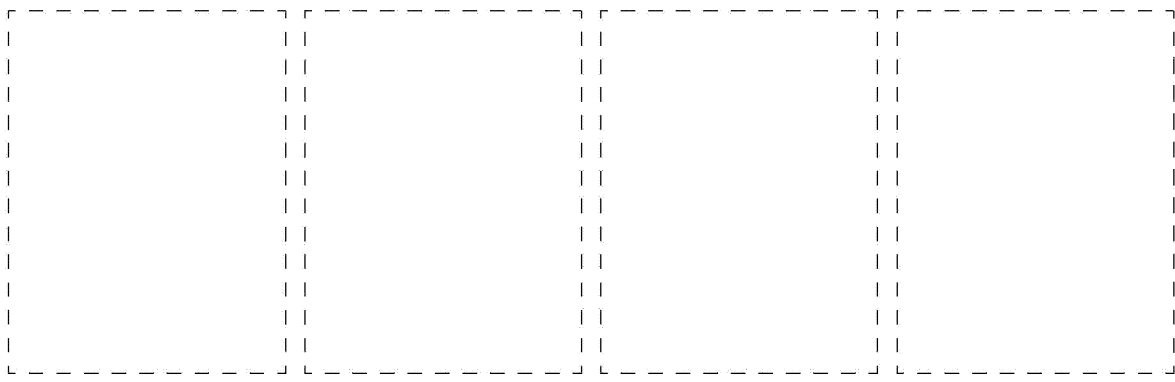
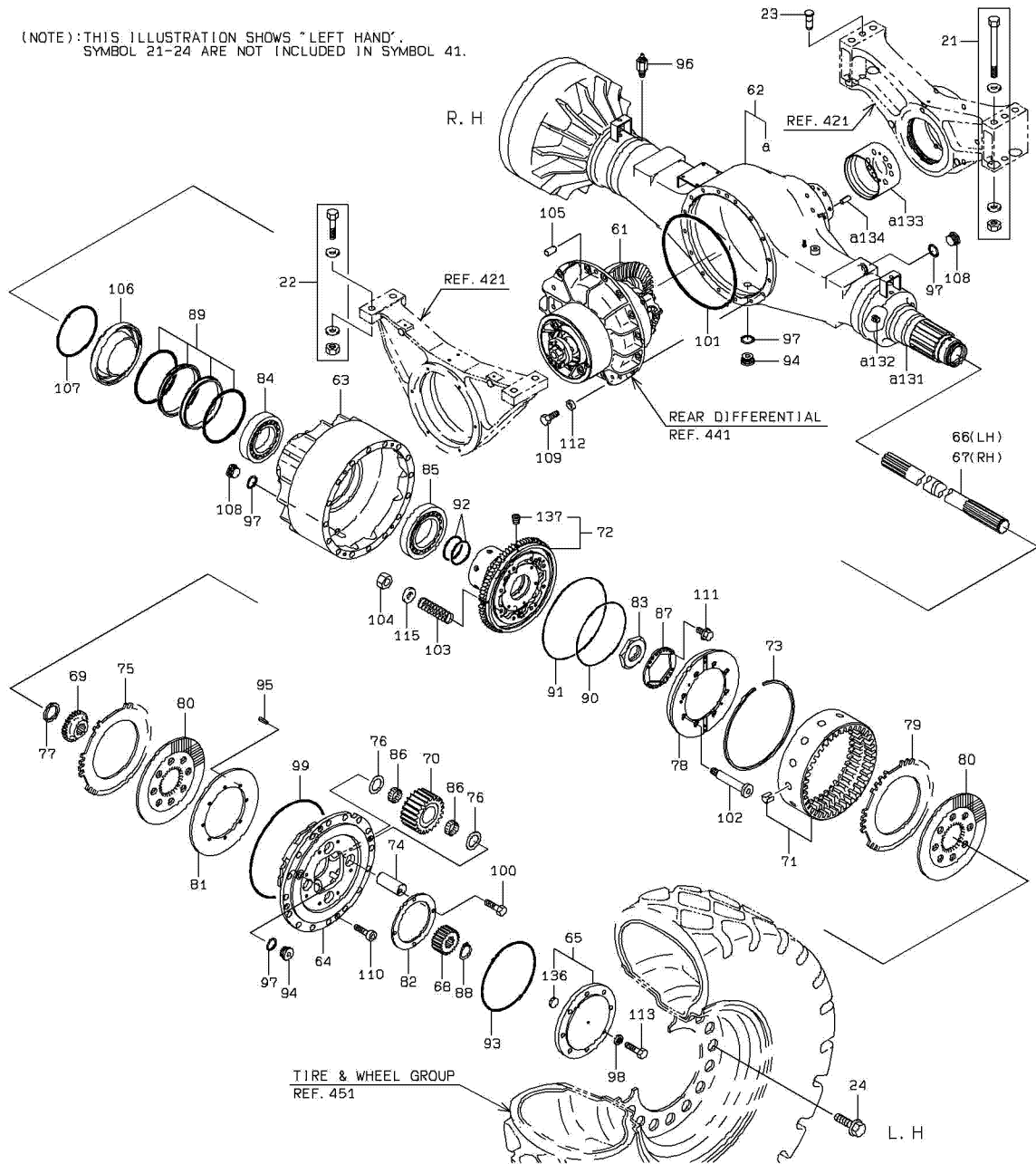
# 1ST CLUTCH

(NOTE): SERIAL NUMBER INDICATES THE TRANSMISSION SERIAL NUMBER.

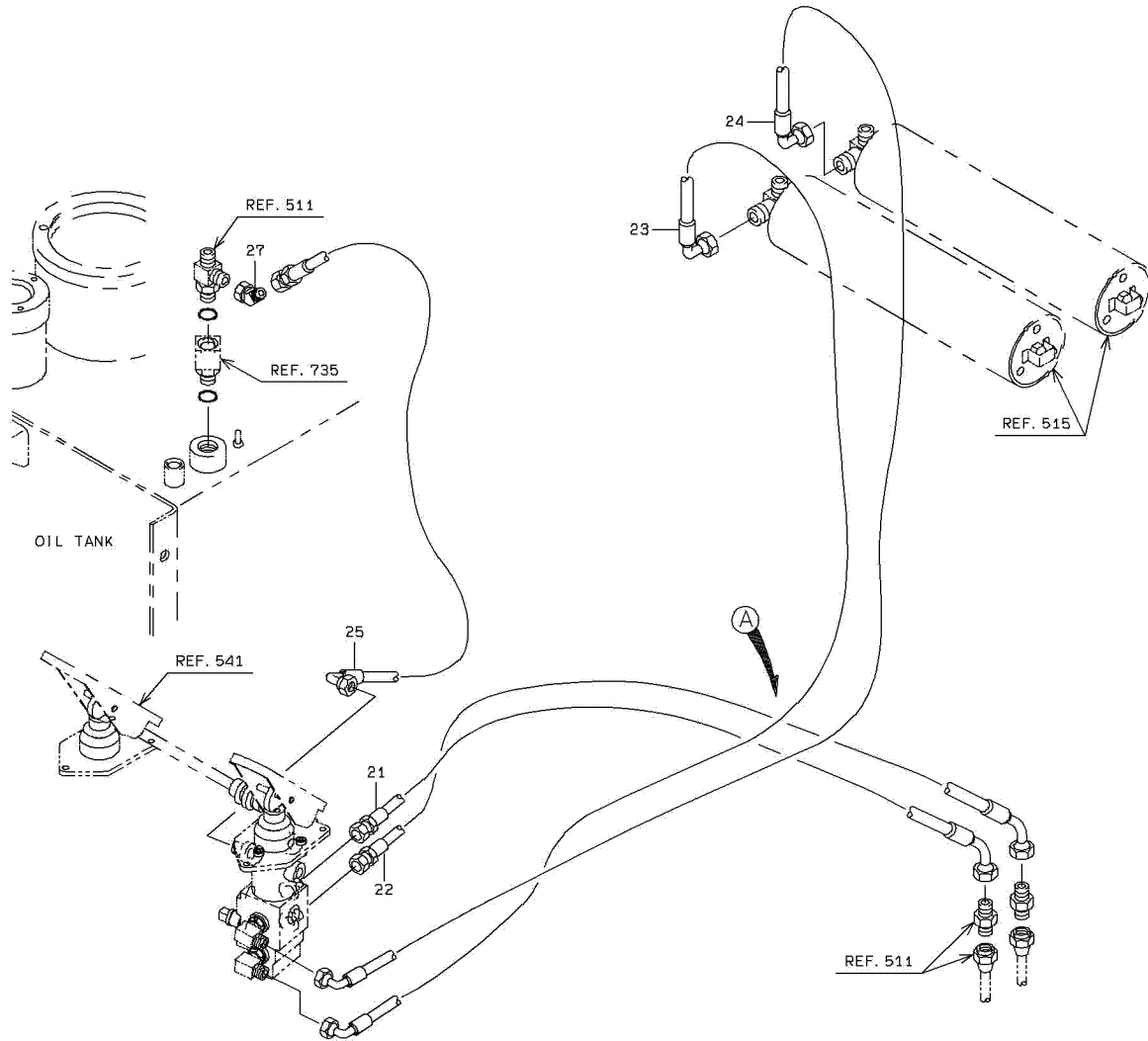


# REAR AXLE GROUP

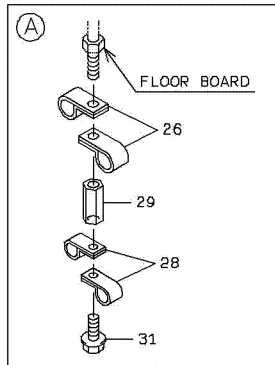
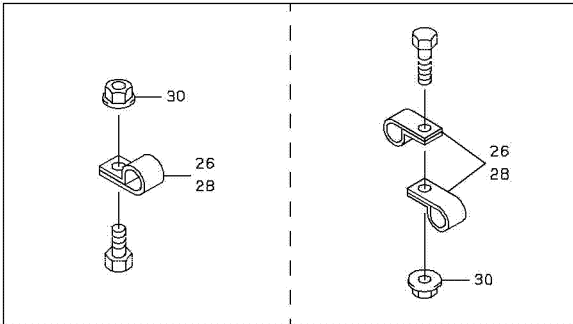
(NOTE): THIS ILLUSTRATION SHOWS "LEFT HAND".  
SYMBOL 21-24 ARE NOT INCLUDED IN SYMBOL 41.



# BRAKE LINE - FLOOR BOARD(HOSE)



DETAIL OF PIPE HOLDER



CLICK HERE TO **DOWNLOAD** THE COMPLETE MANUAL

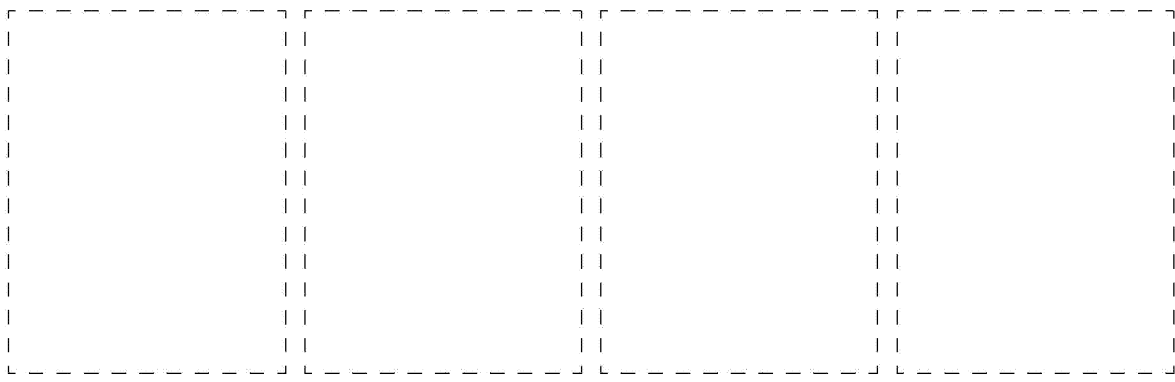
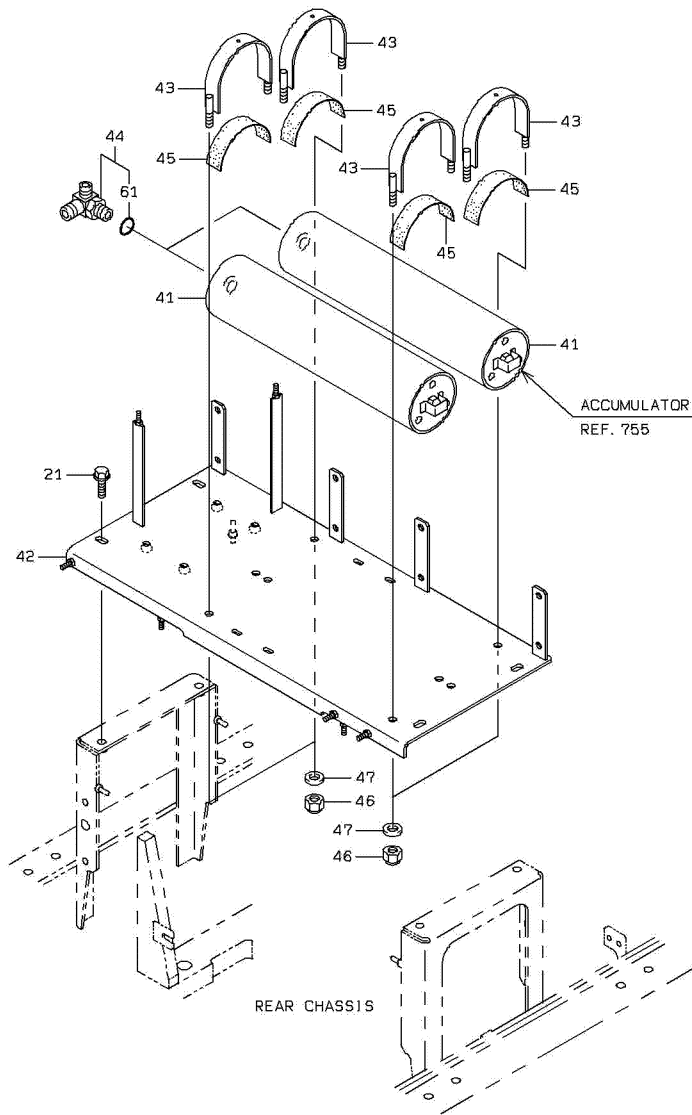
- Thank you very much for reading the preview of the manual.
- You can download the complete manual from: [www.heydownloads.com](http://www.heydownloads.com) by clicking the link below



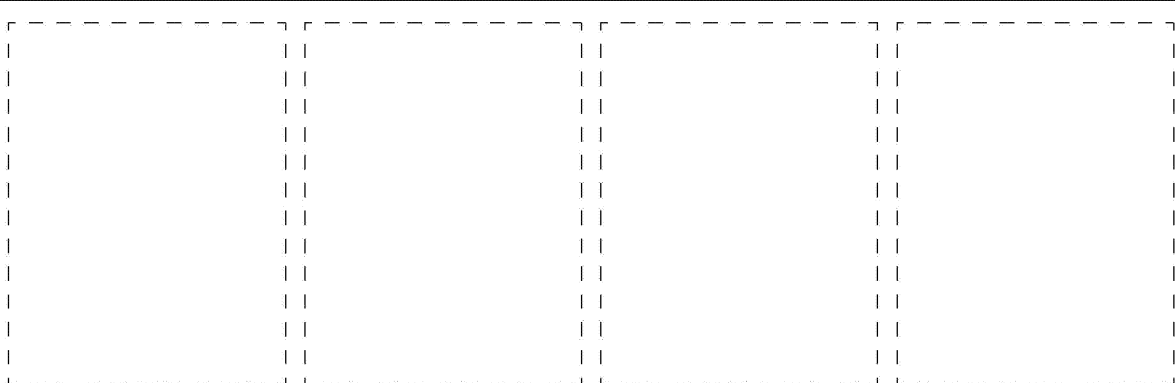
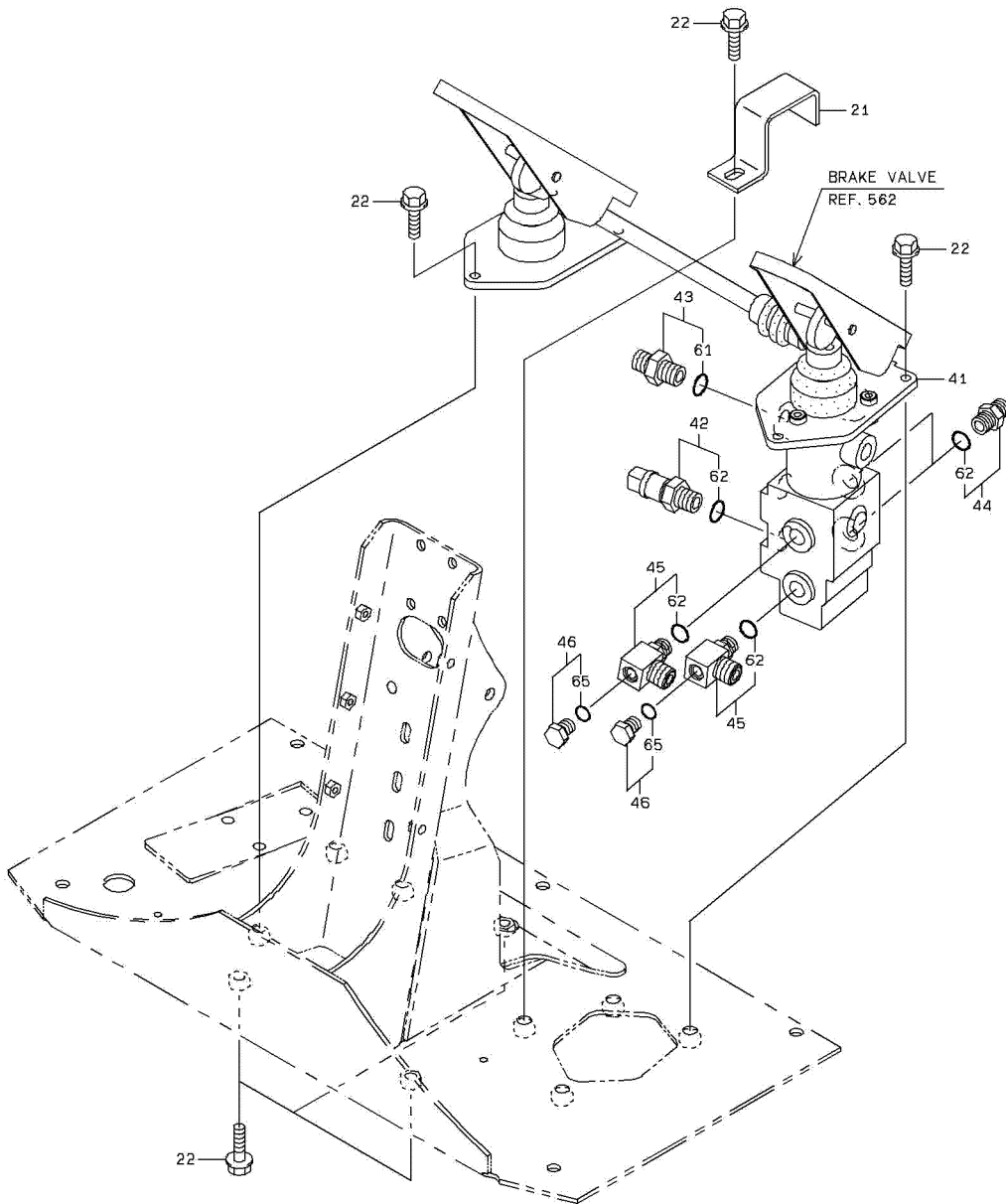
- Please note: If there is no response to CLICKING the link, please download this PDF first and then click on it.

CLICK HERE TO **DOWNLOAD** THE COMPLETE MANUAL

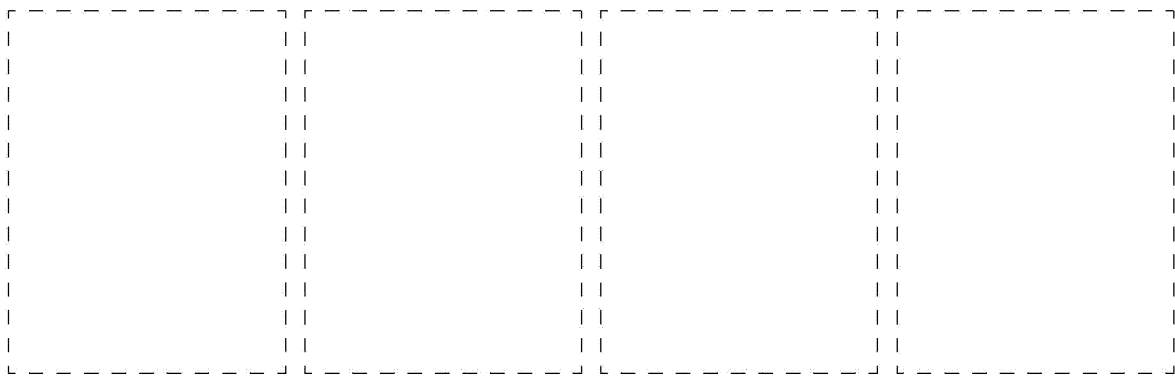
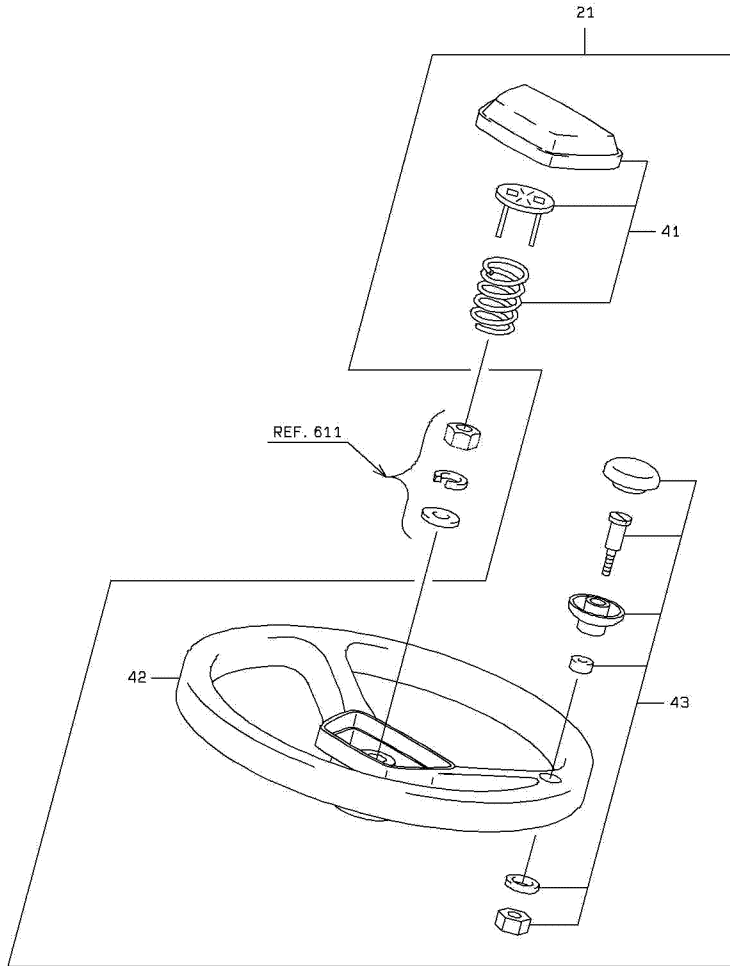
# BRAKE LINE - ACCUMULATOR



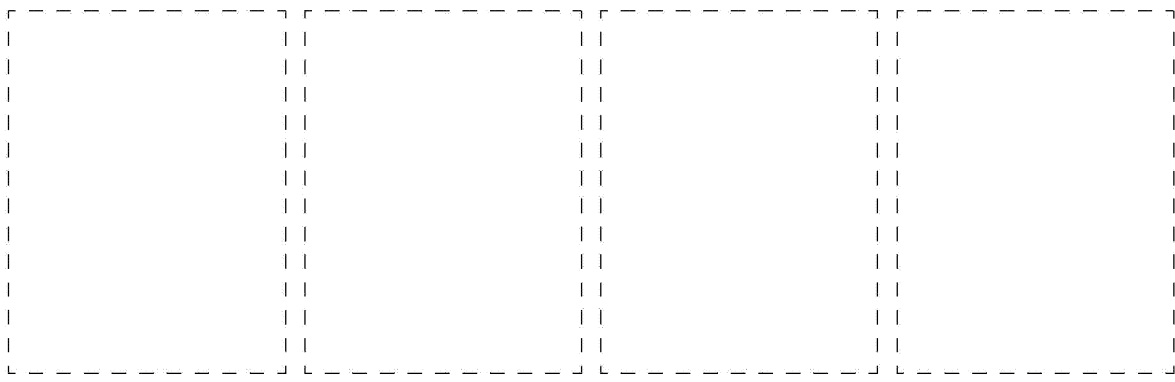
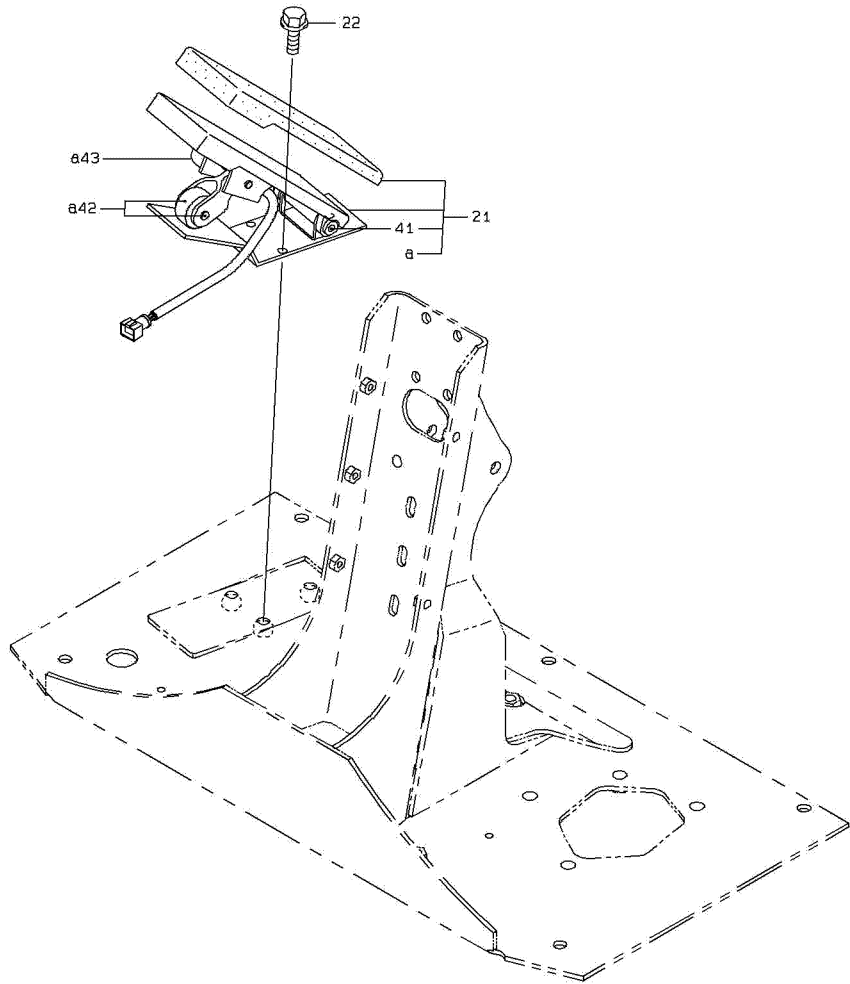
# BRAKE VALVE GROUP



# STEERING WHEEL MOUNT

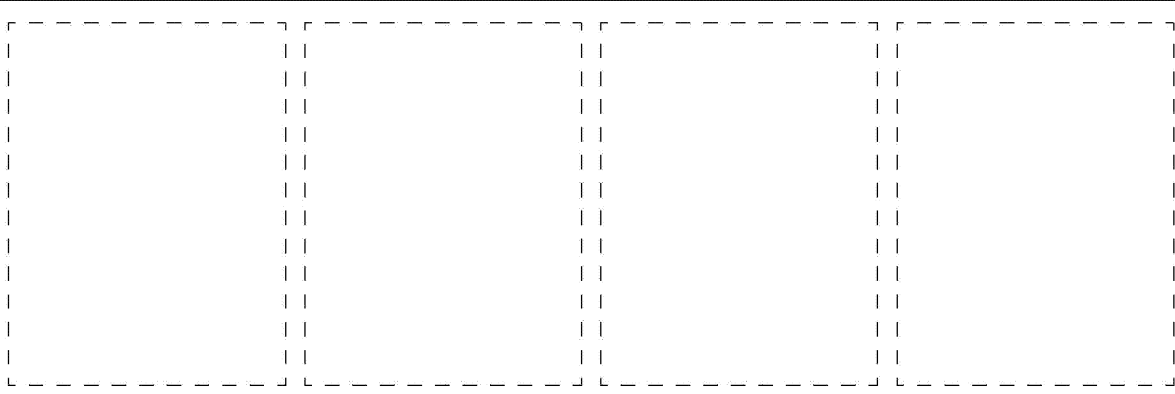
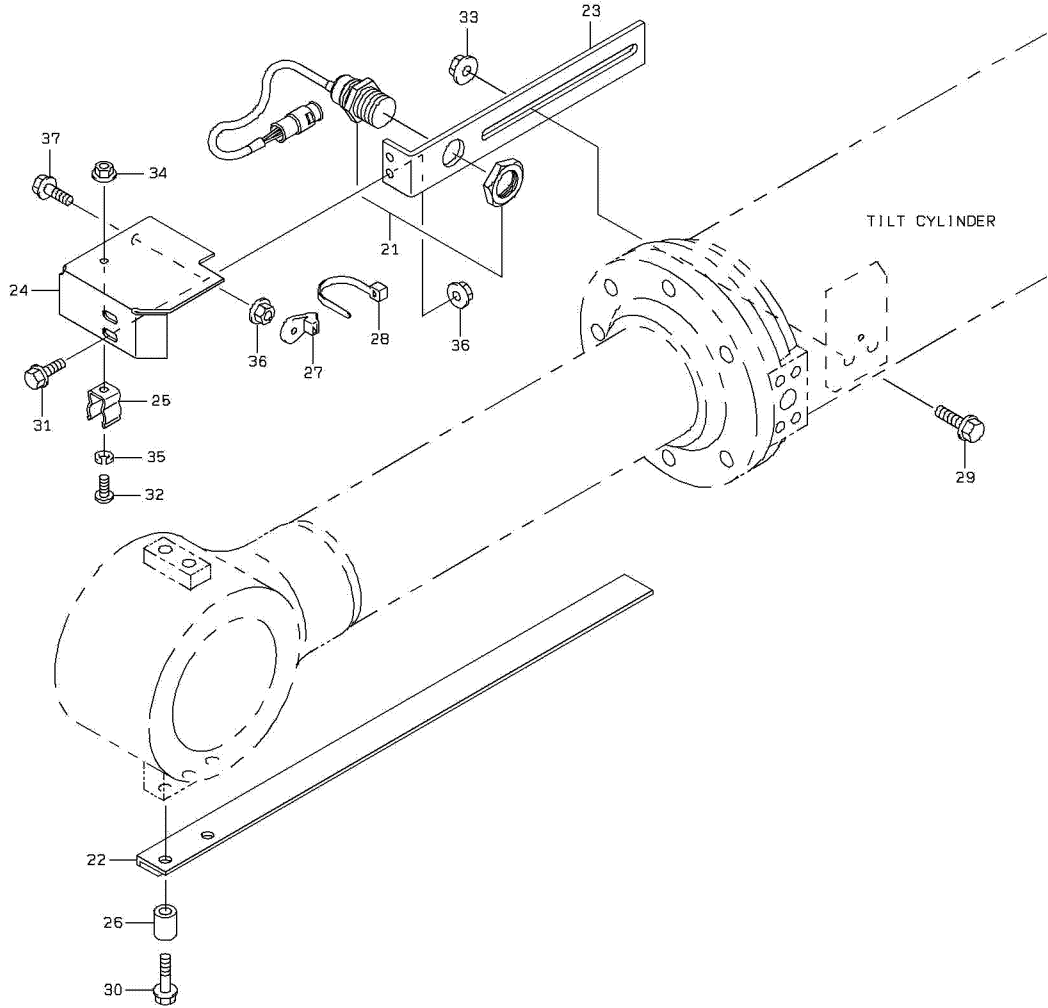


# FUEL CONTROL GROUP



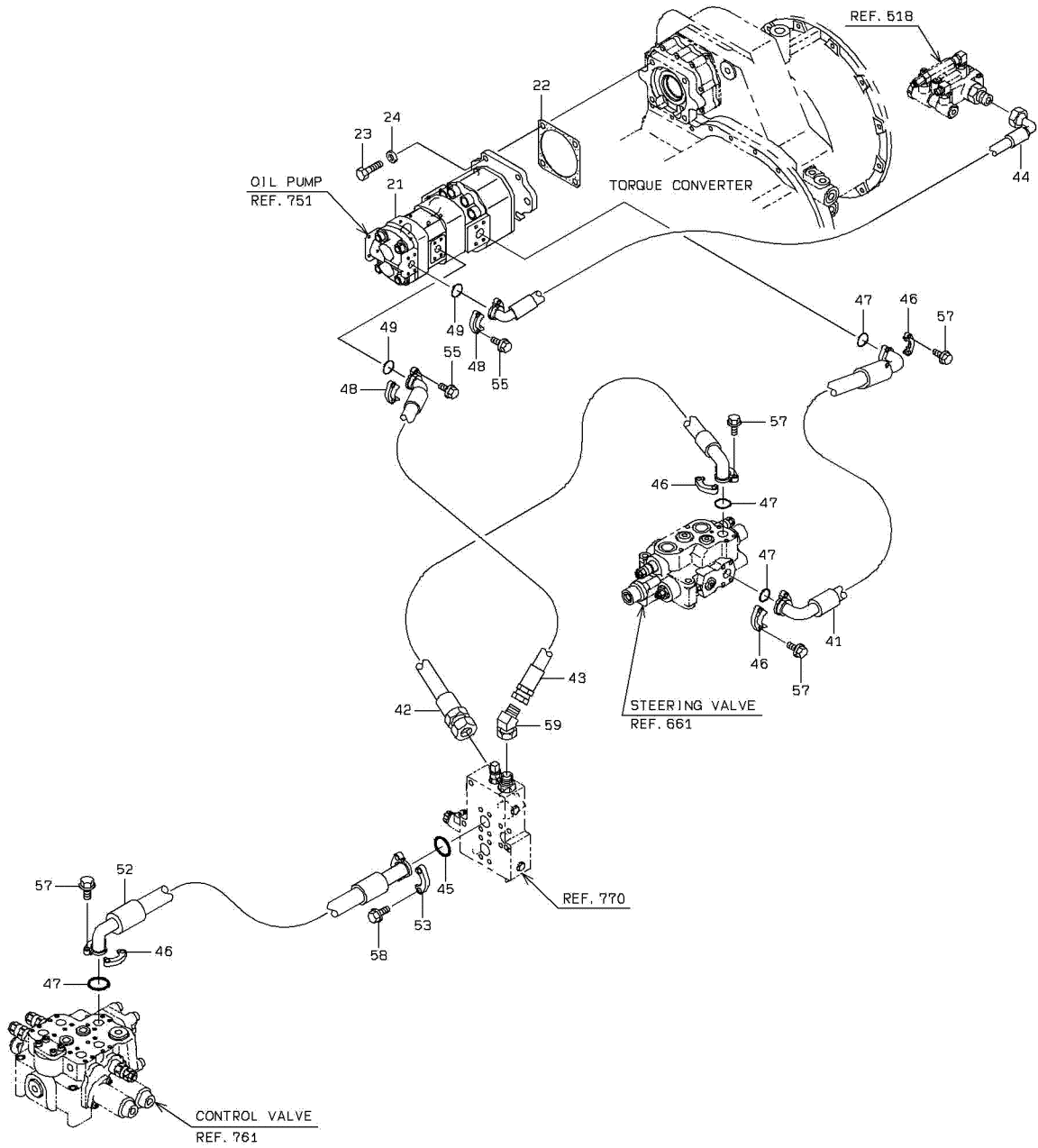
1-A

# BUCKET POSITIONER GROUP

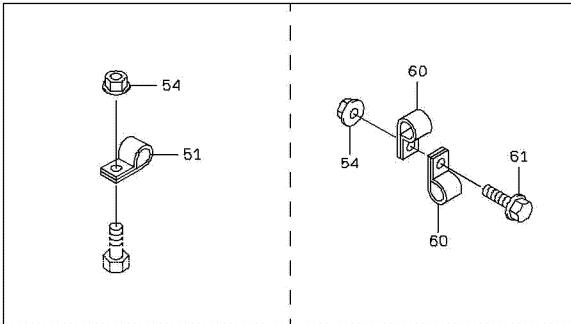


1-A

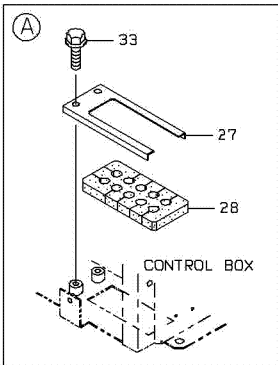
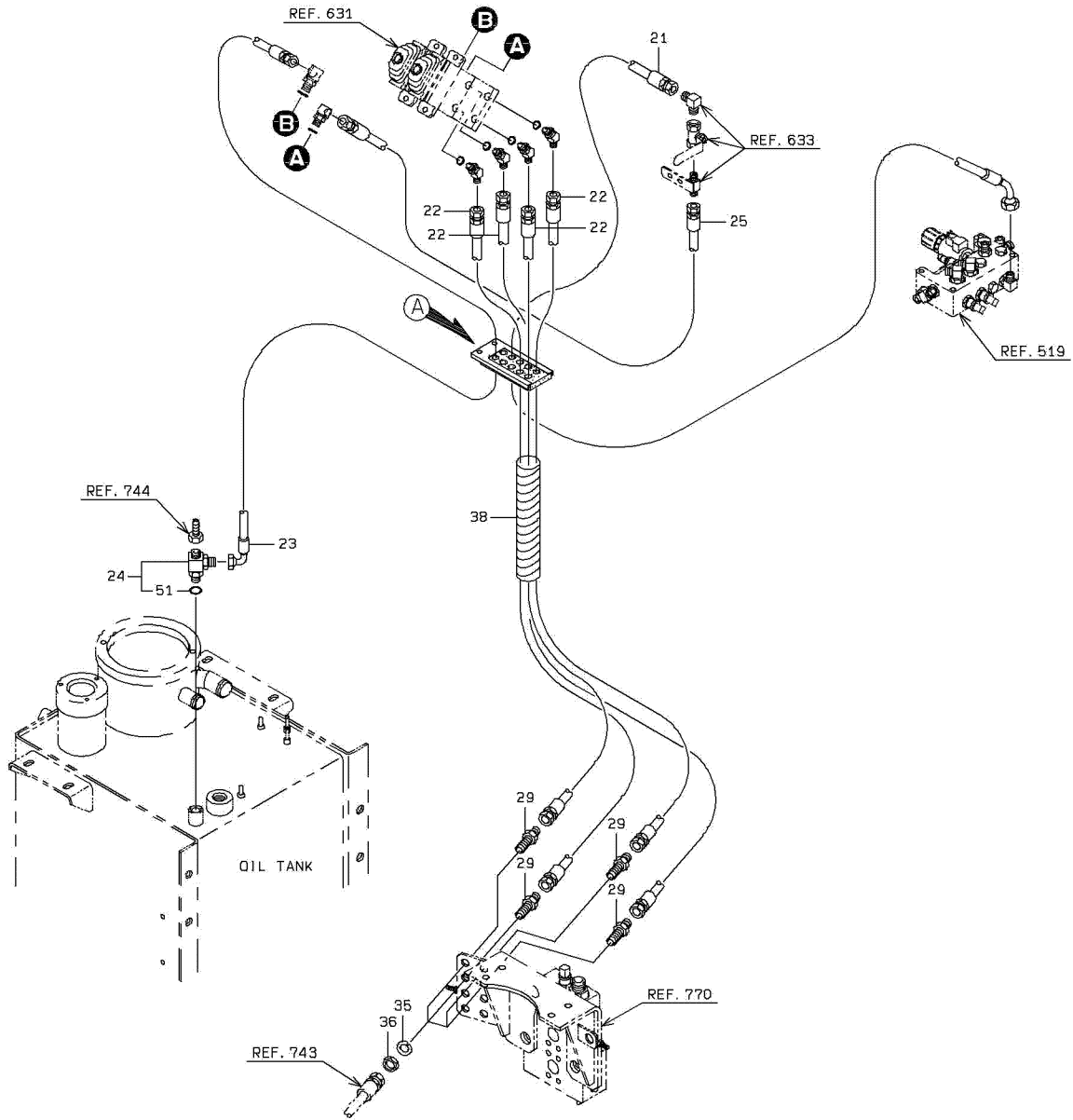
# LOADING HYDRAULIC LINE - REAR CHASSIS(FOR PUMP)



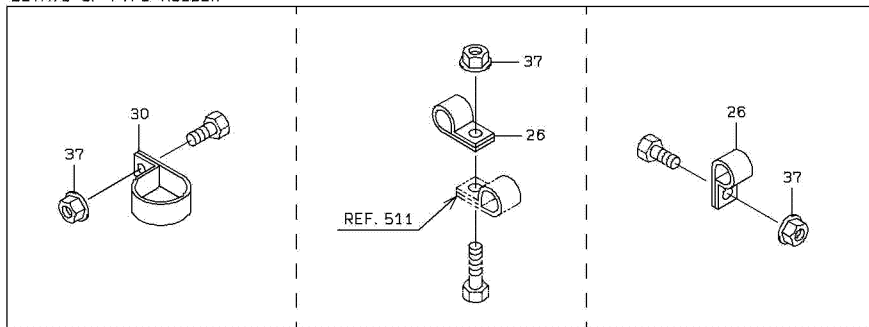
## DETAIL OF PIPE HOLDER



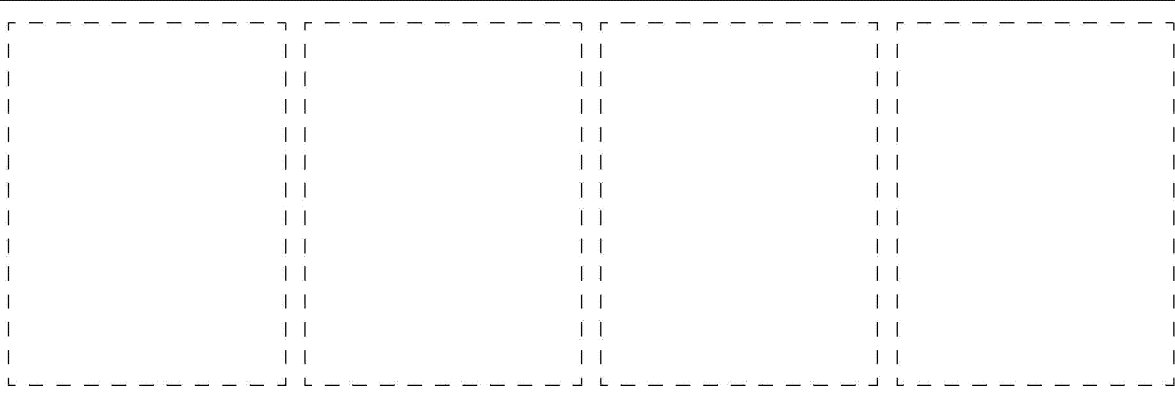
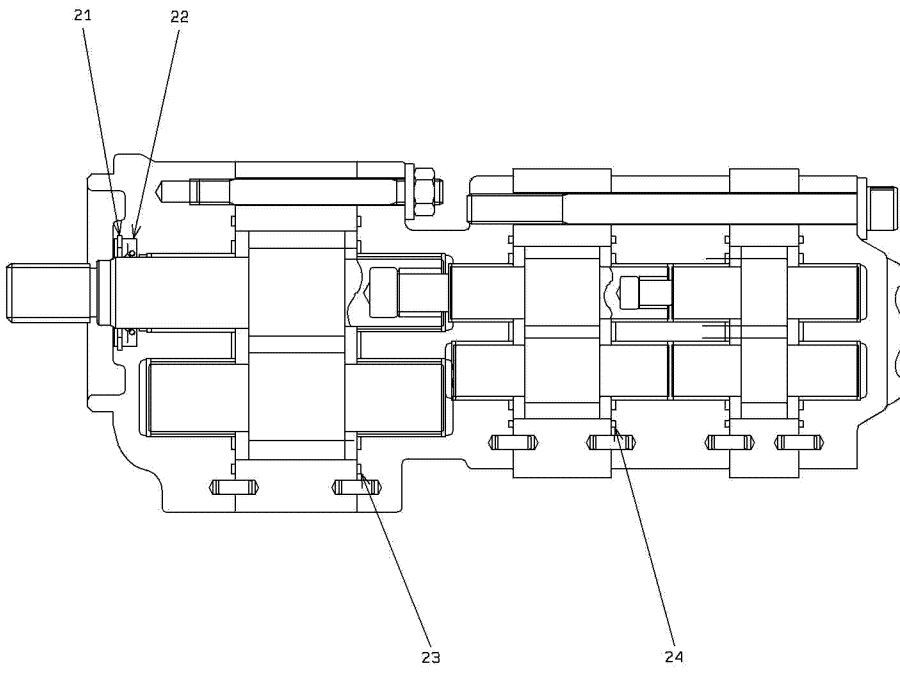
# PILOT HYDRAULIC LINE



DETAIL OF PIPE HOLDER

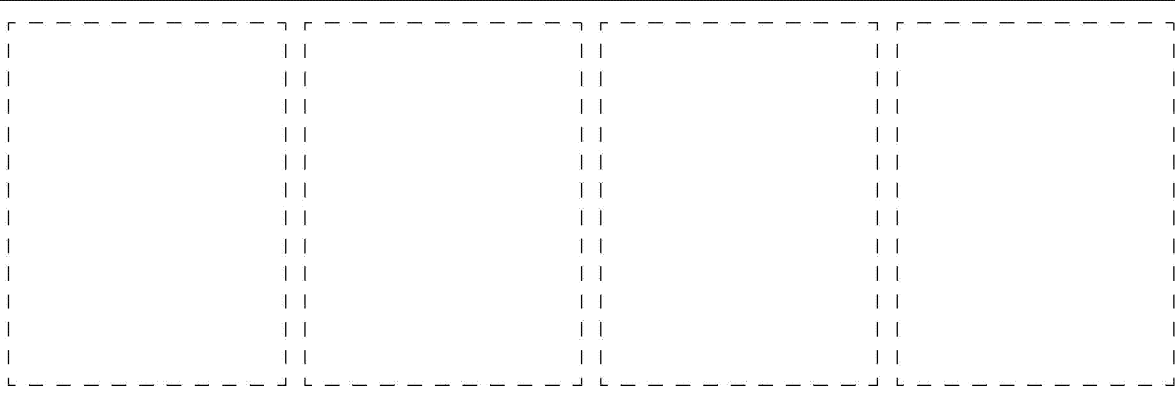
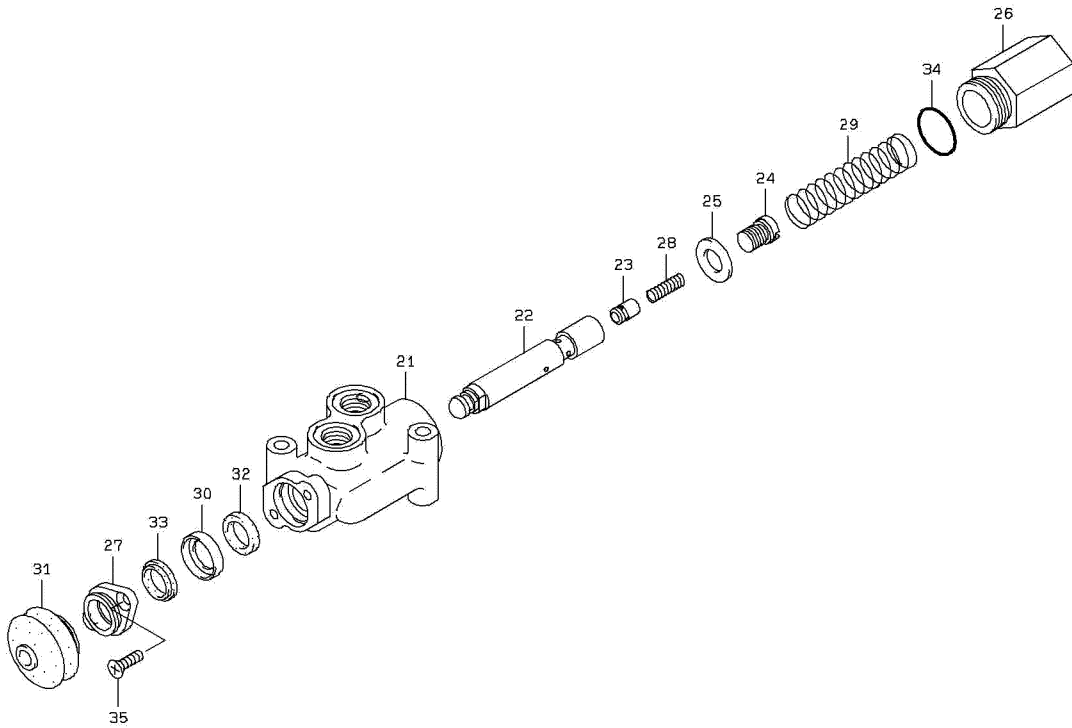


# OIL PUMP



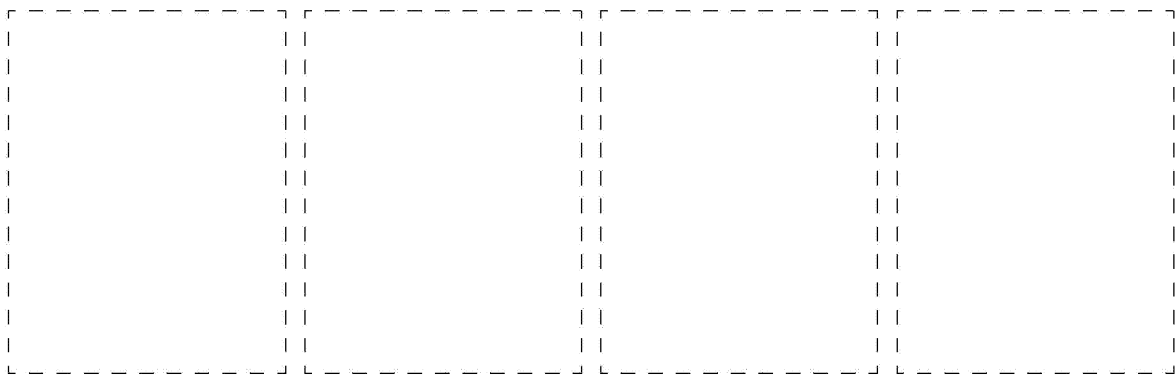
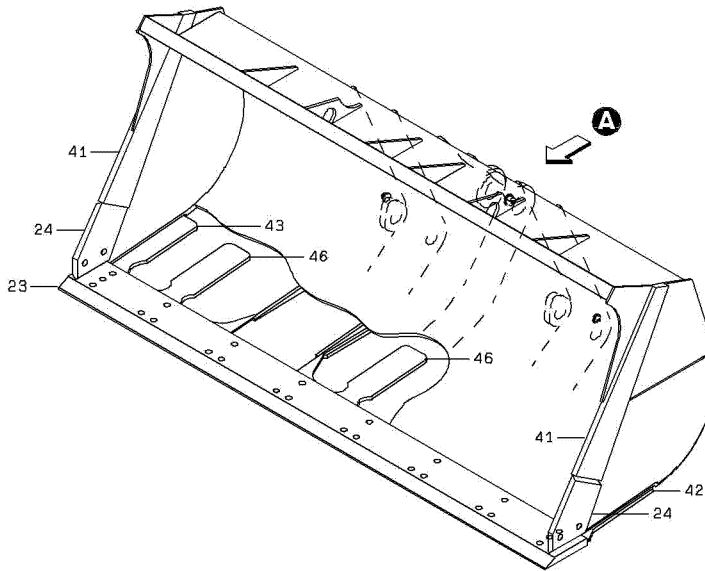
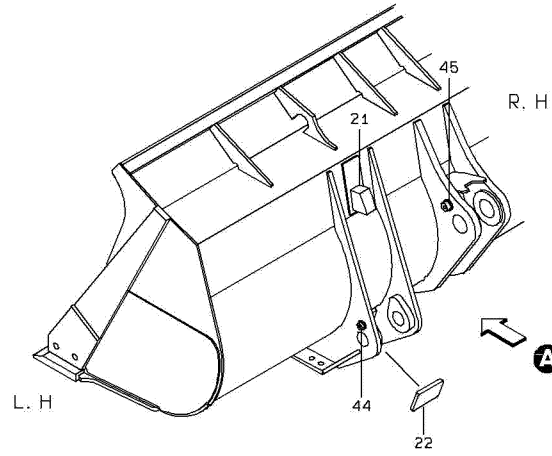
1-A

# STOP VALVE



1-A

# BUCKET (FOR ROCK - RS)

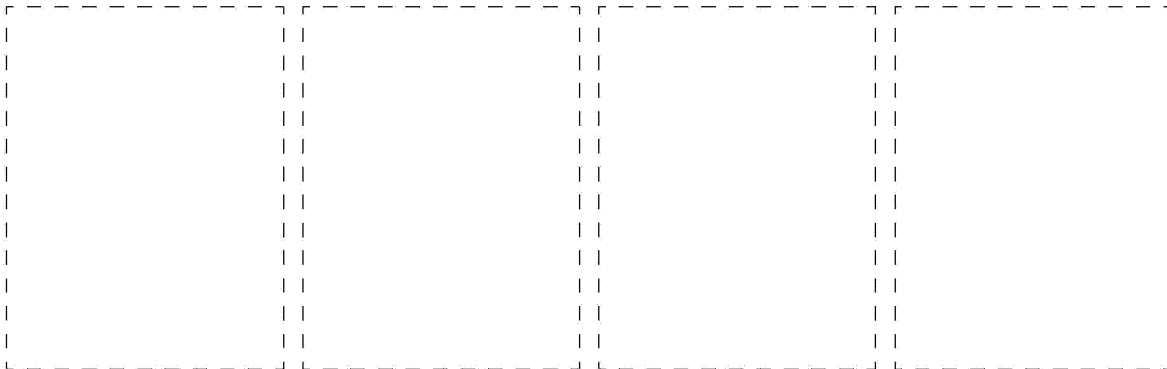


# MARKING GROUP

SYMBOL	LABEL KIT
201	LABEL KIT
92	5A LABEL

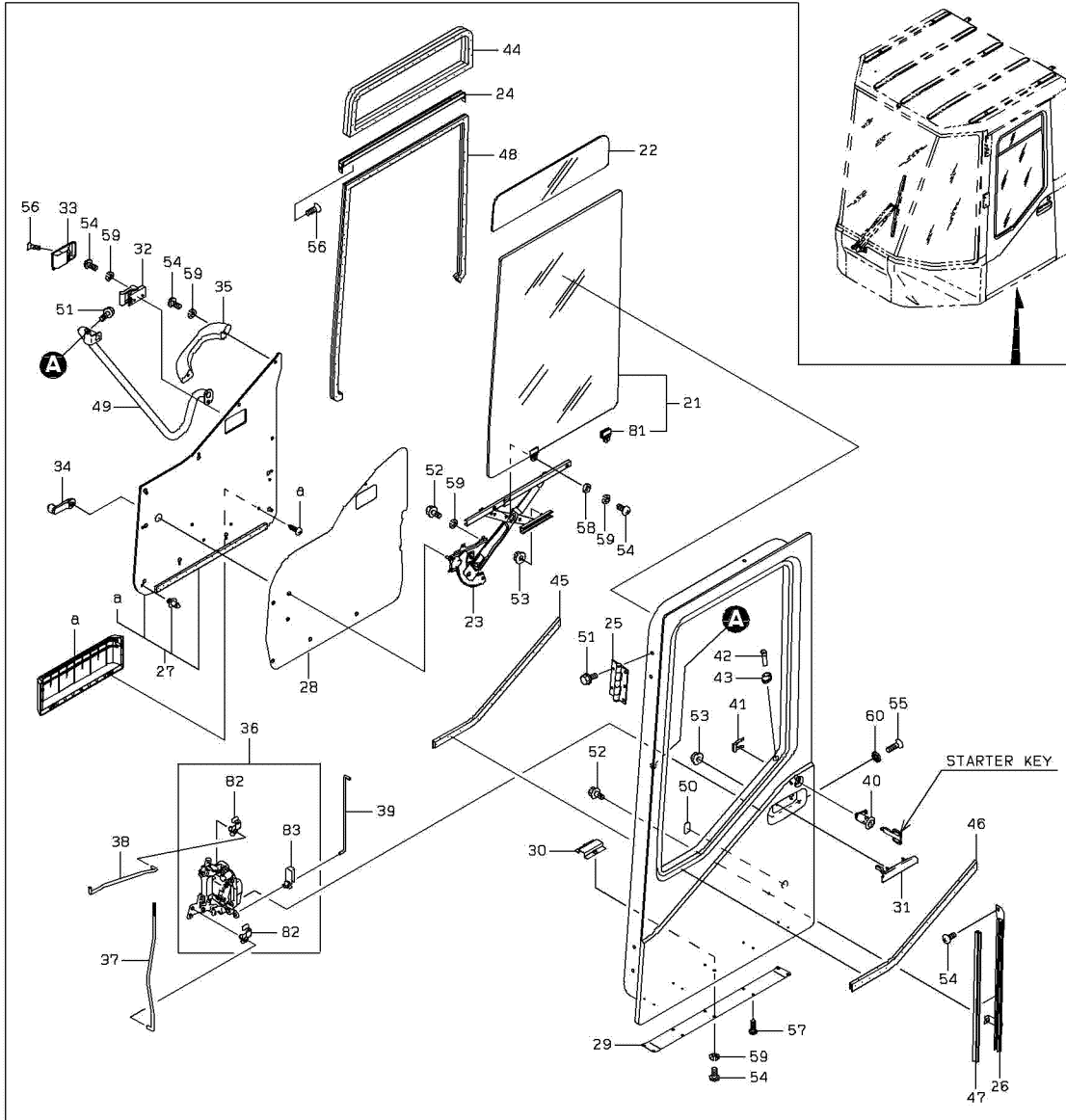
SYMBOL	LABEL KIT
202	LABEL KIT
1	WARNING LABEL(READ MANUAL)
2	WARNING LABEL(HOT FLUID)
3	WARNING LABEL(EXPLOSION. REPAIR)
4	WARNING LABEL(ELECTRIC SHOCK)
5	WARNING LABEL(ARTICULATE)
7	WARNING LABEL(FALL)
8	WARNING LABEL(FAN)
9	WARNING LABEL(BELT)
11	WARNING LABEL(KEEP AWAY)
12	WARNING LABEL(LOCK)
13	WARNING LABEL(BOOM)
14	WARNING LABEL(SUDDEN STARTING)
15	WARNING LABEL(READ MANUAL)
16	WARNING LABEL(COMP'D SPRING)
17	WARNING LABEL(ACCUMULATOR)
19	WARNING LABEL(EXPLOSION. PRECLEANER)
101	WARNING LABEL(AXLE OIL)
102	WARNING LABEL(AXLE OIL(DIFF. ))

SYMBOL	LABEL KIT
203	LABEL KIT
21	FUEL LABEL
22	HYDRAULIC OIL LABEL
23	TIRE AIR PRESSURE LABEL
24	GAUGE PORT LABEL
25	E/G OIL DRAIN LABEL(OIL PAN)
26	R/D COOLING WATER DRAIN LABEL
27	CONTROL LABEL(HOIST ARM)
28	CONTROL LABEL(BUCKET)
29	FRONT WIPER LABEL
31	REAR WIPER LABEL
32	PARKING BRAKE LABEL
33	SHIFT LEVER LABEL(F↔R)
34	LOCK LABEL
35	UNLOCK LABEL
37	FUSE LABEL(CAB)
41	INDICATOR LIST LABEL
43	STARTER S/W LABEL
45	FUSE LABEL(MAIN)
54	E/G MODE LABEL
56	KICKOUT SOFT LANDING RESET LABEL
72	INCHING PRESET LABEL
73	ELS LABEL
81	DANGER LABEL(ROPS)
83	WARNING LABEL(AIR CLEANER)
85	CAUTION LABEL(AIR CONDITIONER)
94	SWITCH EXPLANATION LABEL
95	WARNING LABEL(BACK-UP ALARM)
96	SWITCH EXPLANATION LABEL

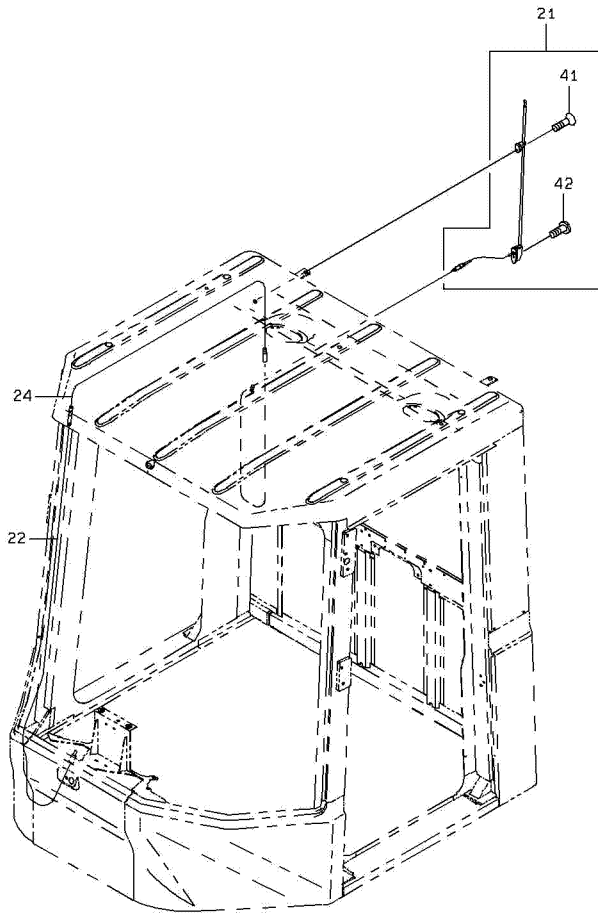


# DOOR GROUP (FOR LH)

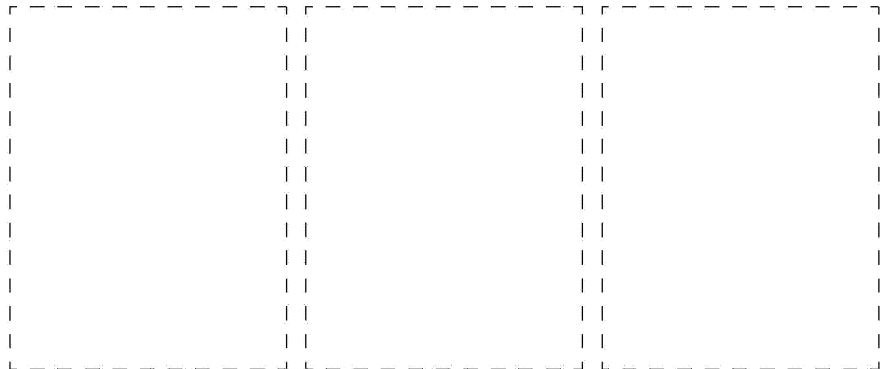
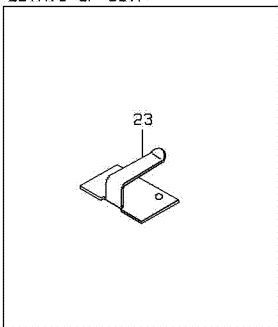
(NOTE): SERIAL NUMBER INDICATES THE CAB SERIAL NUMBER.



# ELECTRICAL PARTS GROUP

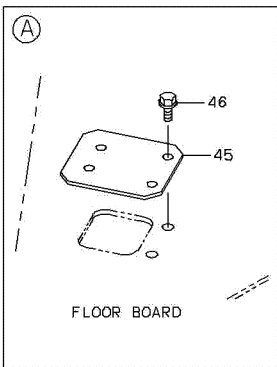
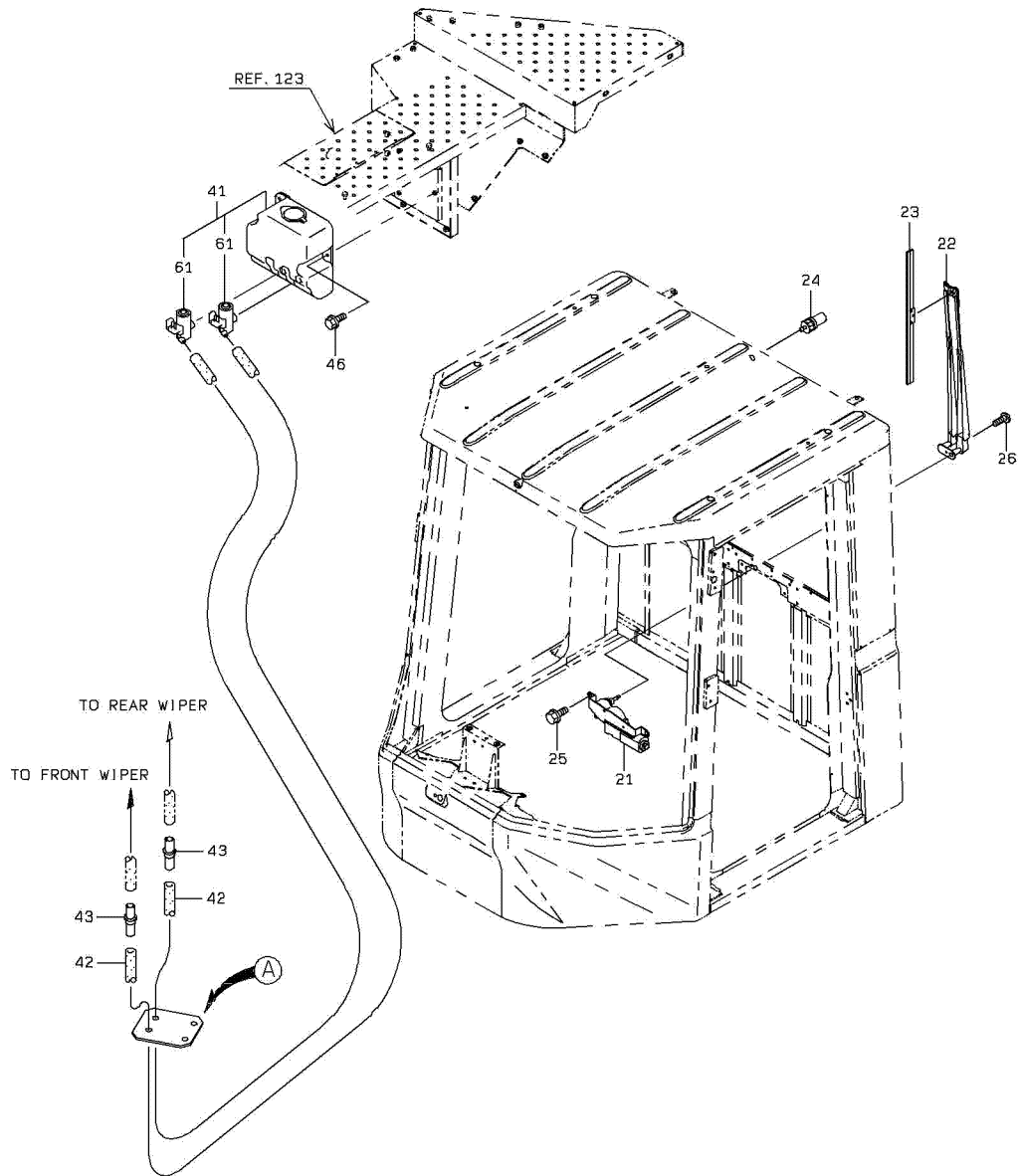


DETAIL OF CLIP

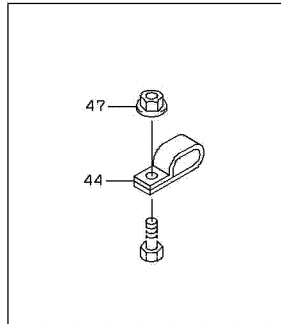


1-A

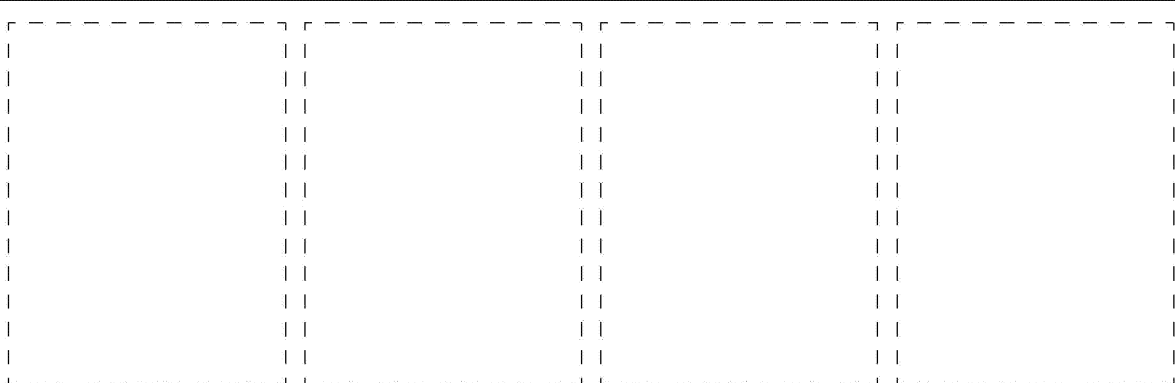
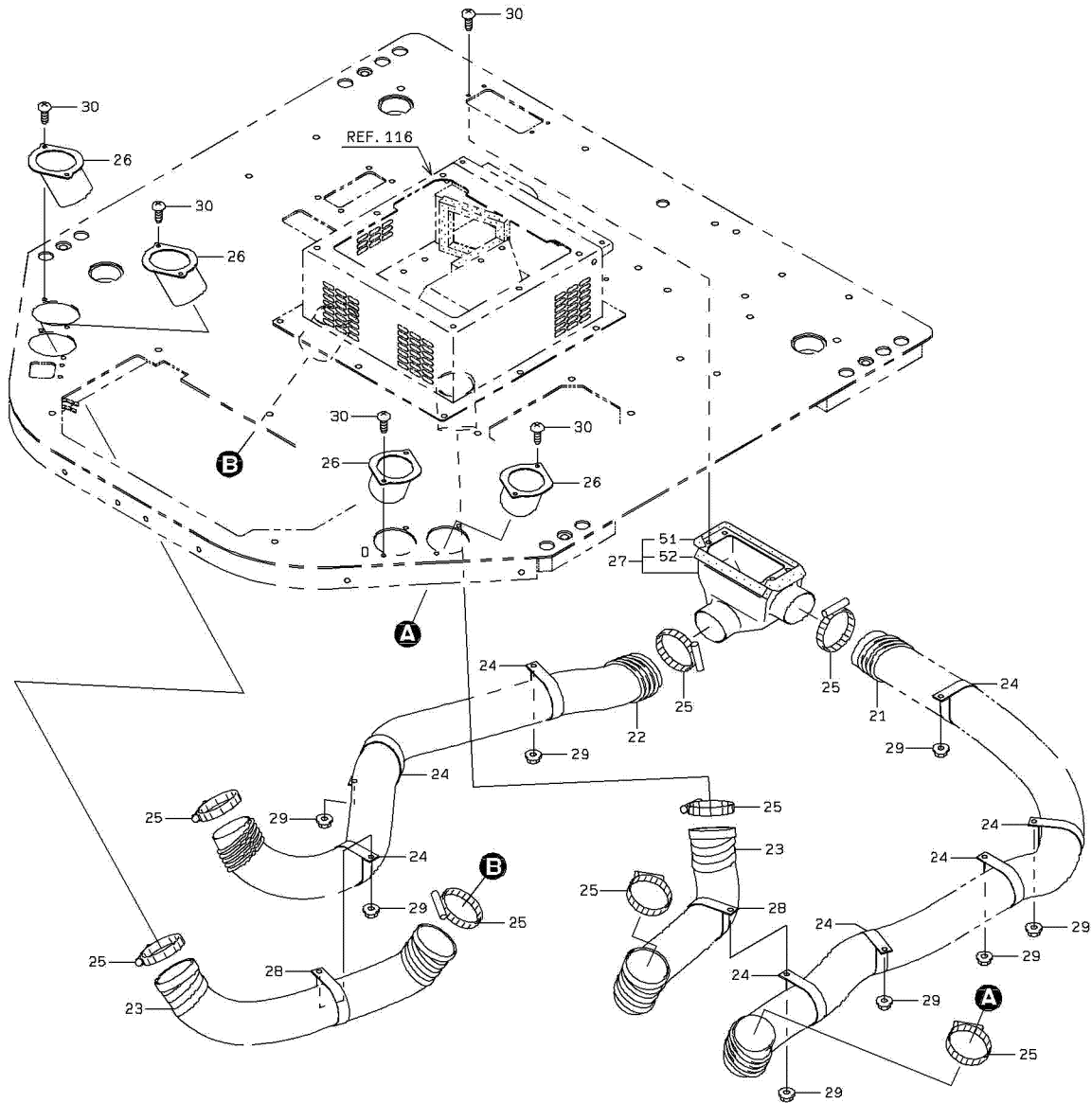
# REAR WIPER & WINDOW WASHER GROUP



DETAIL OF PIPE HOLDER

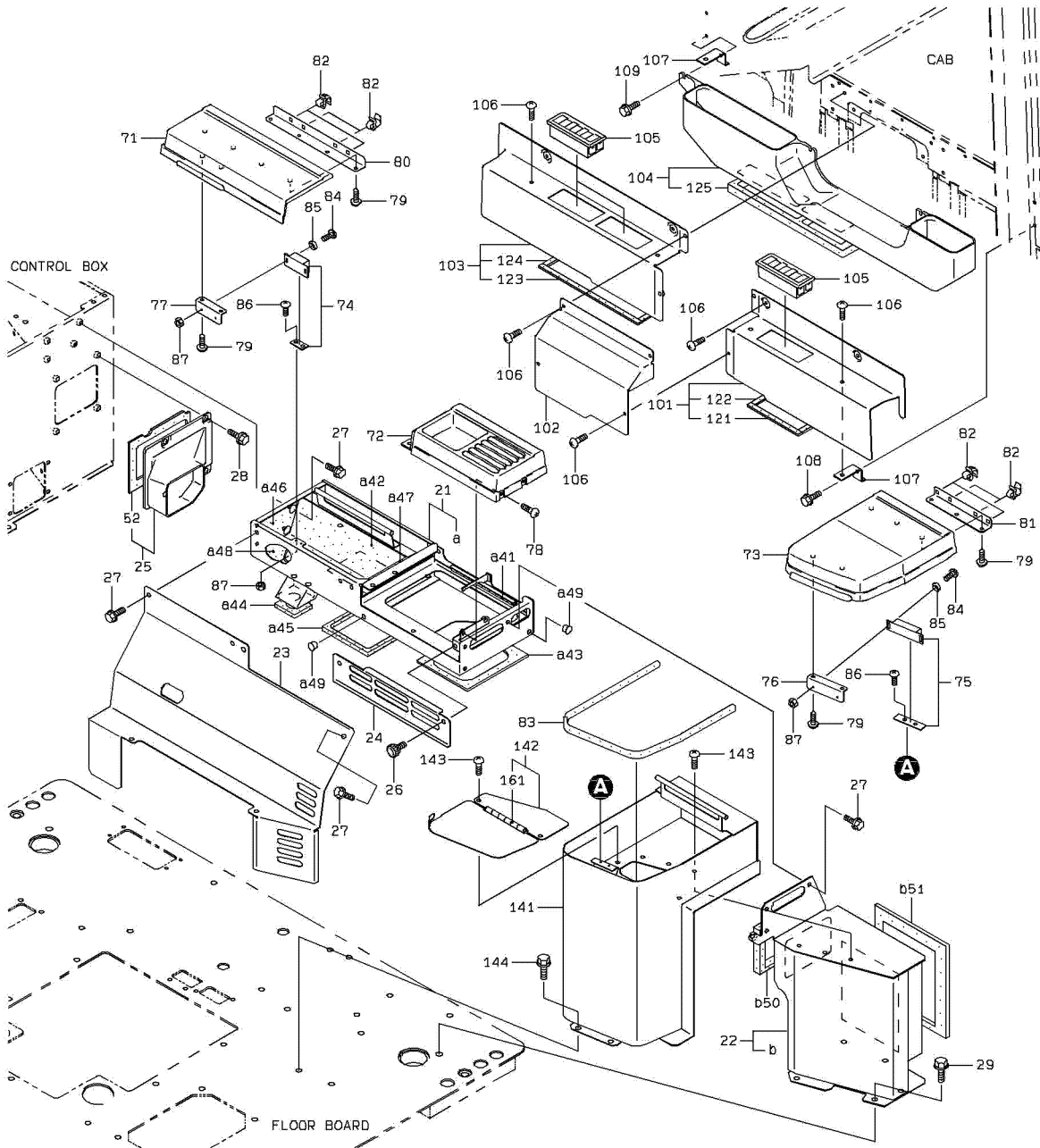


# AIR DUCT MOUNT

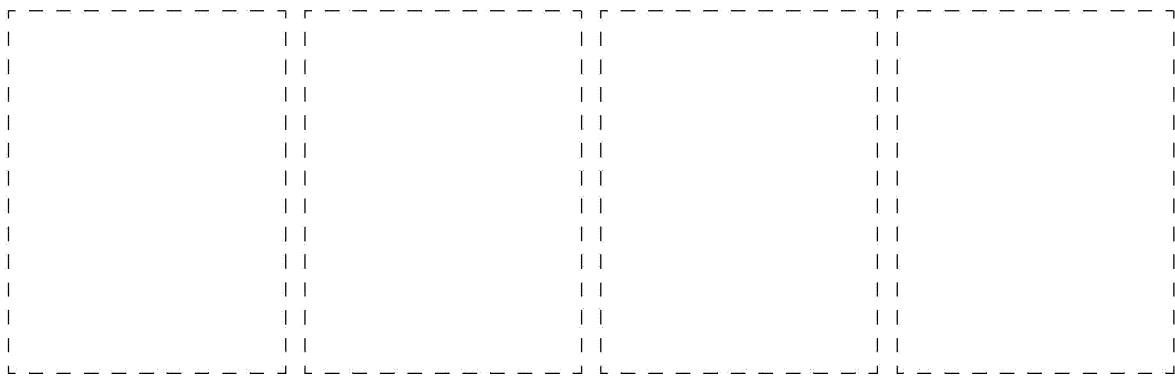
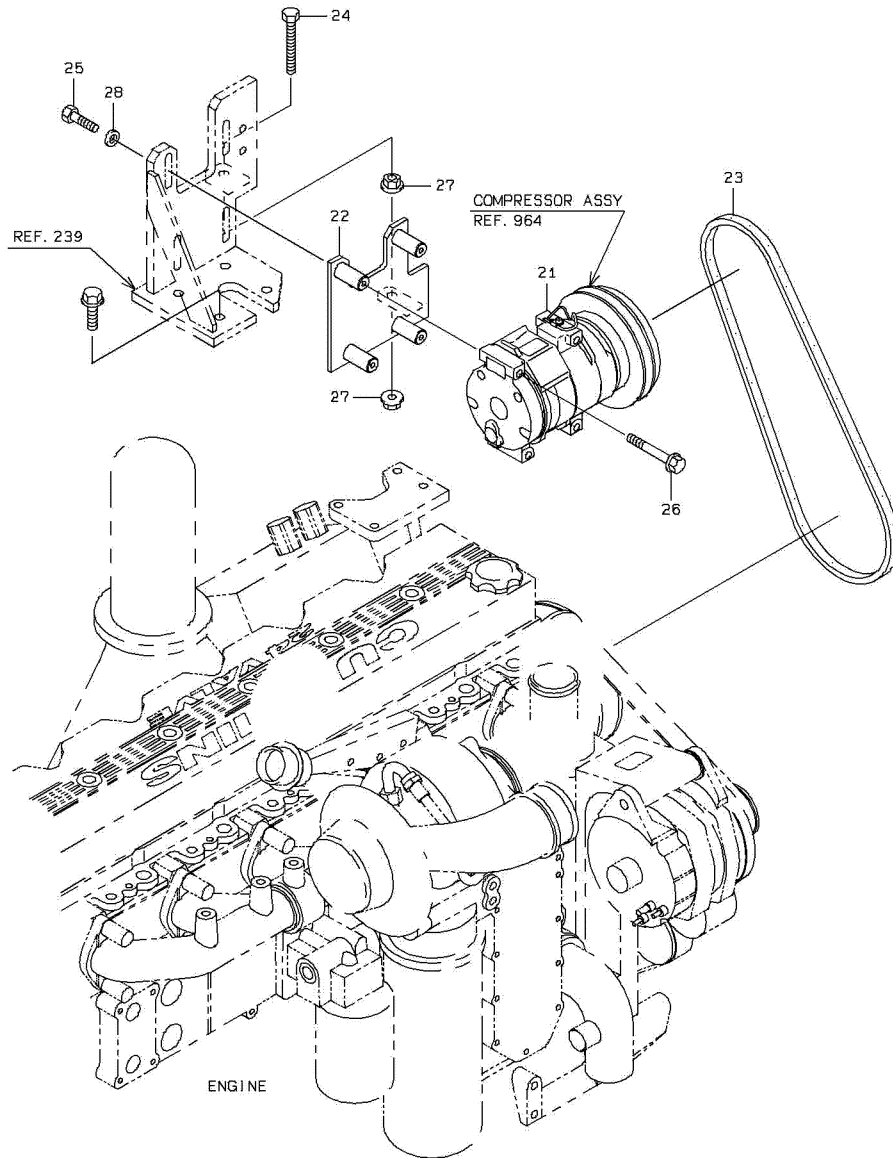


1-A

# AIR CONDITIONER COVER GROUP

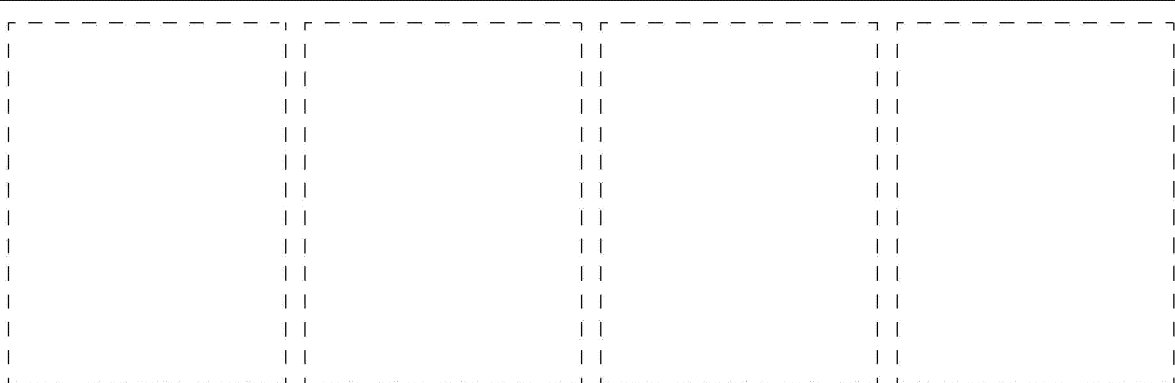
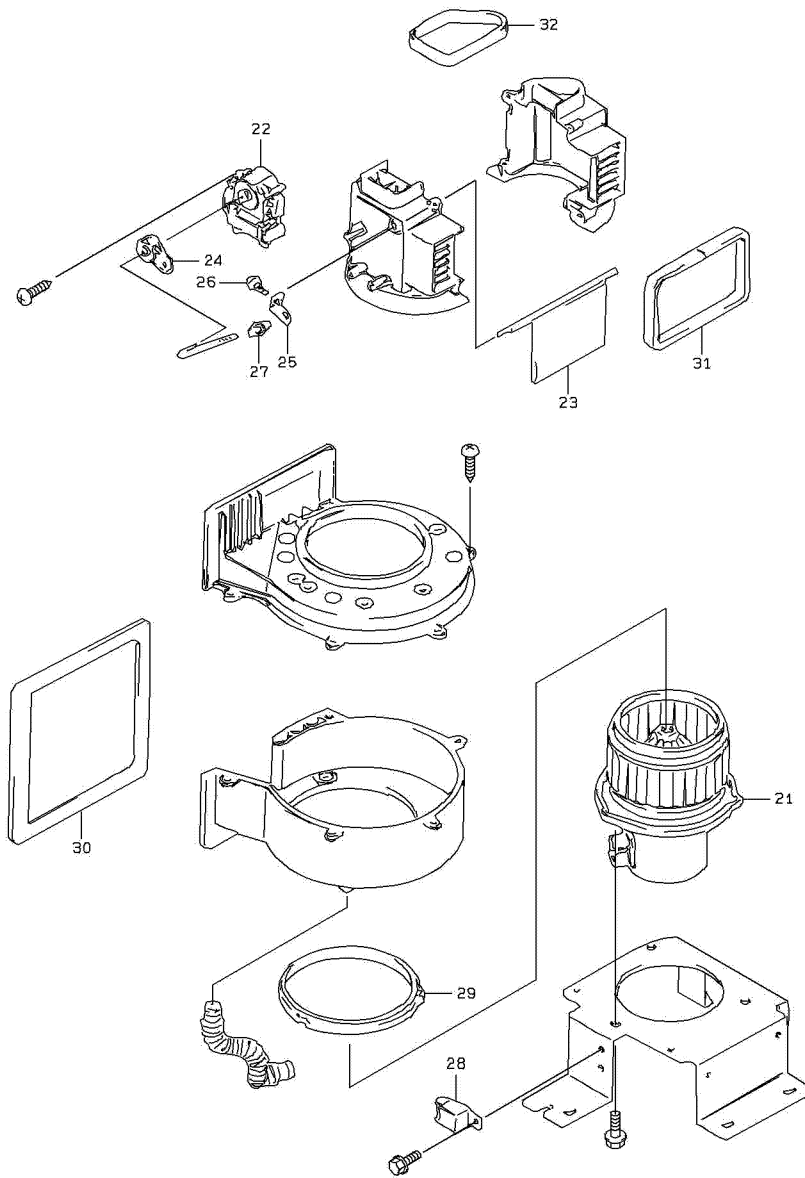


# COMPRESSOR MOUNT



# BLOWER ASSY

(NOTE): SERIAL NUMBER INDICATES THE AIR CONDITIONER UNIT SERIAL NUMBER.



PARTS No. INDEX

PART NUMBER	PAGE-SYM	PART NUMBER	PAGE-SYM	PART NUMBER	PAGE-SYM	PART NUMBER	PAGE-SYM				
00500	-07340	16- 21A	30935	-20150	249- 82A	31205	-70240	94- 36A	32011	-21690	286- 21A
30021	-20890	278- 21A		-20160	249- 81A		-70250	94- 31A		-21700	286- 22A
30035	-60040	284- 22A		-21050	249- 21A	31210	-20990	14- 42A		-60240	264- 21A
	-60060	270- 22A		-21060	249- 22A		-22490	58- 21A		-60250	266- 21A
30040	-24870	4- 21A	30936	-20020	249- 122A		-70010	102- 45A		-60260	264- 22A
30062	-60050	20- 61A		-20020	249- 142A		-70320	231- 44A		-60260	266- 22A
	-70420	42- 28A		-20040	249- 182A	31231	-20700	116- 26A	32110	-20030	114- 52A
	-70430	42- 29A	30938	-21010	244- 24A		-20880	34- 21A		-60010	30- 23A
30100	-60510	154- 41A		-21260	244- 41A		-20900	304- 103A		-70170	64- 81A
	-60510	226- 000A		-23620	242- 24A		-20910	304- 101A	32150	-20210	20- 35A
30111	-21440	132- 21A		-23620	246- 24A		-70170	14- 111A		-20390	261- 83A
30112	-22090	134- 41A	30981	-20060	14- 43A	31236	-24960	304- 142A		-20440	34- 23A
30212	-70020	126- 75A		-70330	14- 112A		-25040	300- 23A		-60030	261- 45A
	-70060	44- 21A		-70500	102- 41A		-25940	2- 41A		-60050	8- 63A
	-70070	44- 25A		-70510	102- 42A		-29650	30- 51A		-60050	8- 75A
30230	-20150	219- 122A		-70720	158- 87A		-29660	30- 52A		-60050	28- 65A
	-20600	214- 29A		-70720	219- 66A		-30450	261- 81A	32151	-60100	34- 22A
	-21720	182- 42A	30999	-70120	320- 22A	31241	-20390	132- 45A	32153	-60140	32- 62A
	-21900	126- 80A	31003	-62430	82- 21A		-20390	134- 65A		-60180	30- 72A
	-23900	216- 26A	31050	-60610	176- 22A		-70230	42- 26A		-60180	30- 74A
	-26330	158- 64A		-60610	190- 000A	31265	-60070	240- 24A	32155	-70020	304- 74A
	-26390	164- 44A	31053	-20010	108- 25A		-70210	192- 30A		-70100	304- 75A
	-26720	106- 26A		-70200	172- 25A	31275	-70130	42- 44A	32210	-20310	112- 40A
	-27330	158- 65A		-70300	128- 24A	31281	-20040	114- 91A		-70360	74- 96A
	-28470	156- 22A		-70650	188- 24A	31289	-20640	238- 24A		-70450	74- 100A
	-28470	160- 47A		-70700	172- 26A		-71090	170- 24A		-71370	64- 82A
	-28470	212- 25A		-70840	167- 30A	31701	-70770	167- 57A		-72240	226- 21A
30241	-20150	158- 66A	31115	-70010	110- 41A		-70780	167- 63A		-72250	226- 22A
	-21300	106- 24A	31140	-60010	264- 33A		-70950	96- 25A		-72330	170- 25A
	-21320	160- 41A		-60010	266- 33A		-70960	96- 29A		-72760	79- 74A
	-22320	219- 46A	31200	-26300	12- 51A	31812	-20940	32- 41A		-72790	96- 63A
	-22370	110- 151A		-36980	116- 32A	31823	-23290	90- 81A	32211	-70250	108- 51A
30242	-20050	204- 59A		-36990	116- 33A		-23300	90- 82A		-70330	14- 90A
	-20050	212- 36A		-42130	22- 65A	31828	-20600	56- 26A	32215	-20040	74- 94A
	-20110	222- 45A		-42450	196- 23A	31990	-20020	12- 43A		-20050	74- 93A
	-20160	92- 44A		-60030	22- 61A		-20030	14- 49A		-70040	74- 101A
	-20160	110- 70A		-60040	22- 62A		-20550	130- 42A		-70050	74- 91A
	-20190	106- 27A		-60060	22- 64A		-20550	204- 22A		-70060	74- 108A
	-20220	208- 49A		-60100	292- 23A		-21660	112- 46A		-70070	74- 99A
	-20220	212- 26A		-60140	20- 21A		-21660	130- 43A		-70150	74- 92A
	-20650	144- 27A		-60300	292- 21A		-22470	112- 24A	32223	-70040	167- 76A
30246	-20040	208- 45A		-60310	292- 22A		-22470	130- 47A	32224	-20220	178- 76A
	-20120	208- 46A		-60340	22- 63A		-22690	112- 41A		-70110	128- 41A
	-20810	147- 27A		-60380	304- 71A		-22690	130- 48A	32266	-20620	258- 21A
	-22500	210- 37A		-60390	304- 72A		-23410	114- 96A		-20620	261- 000A
	-23130	222- 44A		-60400	304- 73A		-23410	130- 51A	32400	-21220	112- 21A
	-23130	222- 49A		-60420	20- 22A		-27420	112- 26A		-21440	114- 45A
	-23900	214- 24A		-60450	20- 24A		-27420	130- 41A		-21450	126- 26A
	-24170	212- 27A		-72090	128- 21A		-27460	112- 30A		-21970	114- 92A
	-60030	160- 45A		-72750	228- 21A		-27460	130- 50A		-22620	118- 23A
30250	-20080	92- 45A		-72760	228- 31A		-27490	114- 53A		-22640	120- 23A
30320	-60030	20- 41A		-72960	188- 22A		-27490	130- 45A		-22660	122- 23A
30502	-40900	194- 22A		-72970	188- 23A		-27500	114- 60A		-22720	120- 22A
30510	-60240	274- 21A		-73220	326- 27A		-27500	130- 44A		-22740	124- 22A
30582	-20470	132- 111A		-73240	228- 29A		-27520	126- 28A		-23340	132- 49A
	-20470	134- 131A		-73250	228- 30A		-27520	130- 46A		-23340	134- 69A
30641	-70010	44- 26A		-73440	167- 34A		-27530	116- 28A		-25210	114- 49A
30721	-20170	114- 25A	31205	-20940	216- 27A		-27530	130- 49A		-25220	118- 22A
30725	-20110	114- 22A		-42330	304- 102A		-27540	116- 37A		-25220	122- 22A
30771	-60010	284- 41A		-47160	304- 23A		-27540	130- 52A		-25360	126- 22A
30780	-23440	8- 101A		-55030	24- 28A		-70570	102- 48A	32420	-20110	138- 27A
30890	-60080	302- 21A		-55040	24- 52A		-71300	56- 54A		-20110	140- 28A
	-60080	318- 000A		-55050	24- 71A		-71580	60- 41A	32421	-20360	132- 51A
30930	-20240	244- 23A		-55730	38- 21A		-71750	56- 47A		-20360	134- 71A
	-20300	249- 141A		-56260	312- 42A		-71750	281- 47A	32425	-20490	132- 48A
	-20950	249- 121A		-57290	28- 61A		-71750	281- 117A		-20490	134- 68A
	-21960	242- 23A		-57420	196- 21A		-71760	58- 51A	32431	-20500	132- 50A
	-21960	246- 23A		-58120	32- 63A		-71760	58- 60A		-20500	134- 70A
	-22460	249- 181A		-70120	66- 41A	32011	-21500	286- 41A	32433	-20370	138- 34A

CLICK HERE TO **DOWNLOAD** THE COMPLETE MANUAL

- Thank you very much for reading the preview of the manual.
- You can download the complete manual from: [www.heydownloads.com](http://www.heydownloads.com) by clicking the link below



- Please note: If there is no response to CLICKING the link, please download this PDF first and then click on it.

CLICK HERE TO **DOWNLOAD** THE COMPLETE MANUAL