

PARTS CATALOG

Engine Model CUMMINS LT10-C (For Model 85ZII)
Engine Serial No. 34513491~



KAWASAKI HEAVY INDUSTRIES, LTD.

CLICK HERE TO **DOWNLOAD** THE COMPLETE MANUAL

- Thank you very much for reading the preview of the manual.
- You can download the complete manual from: www.heydownloads.com by clicking the link below



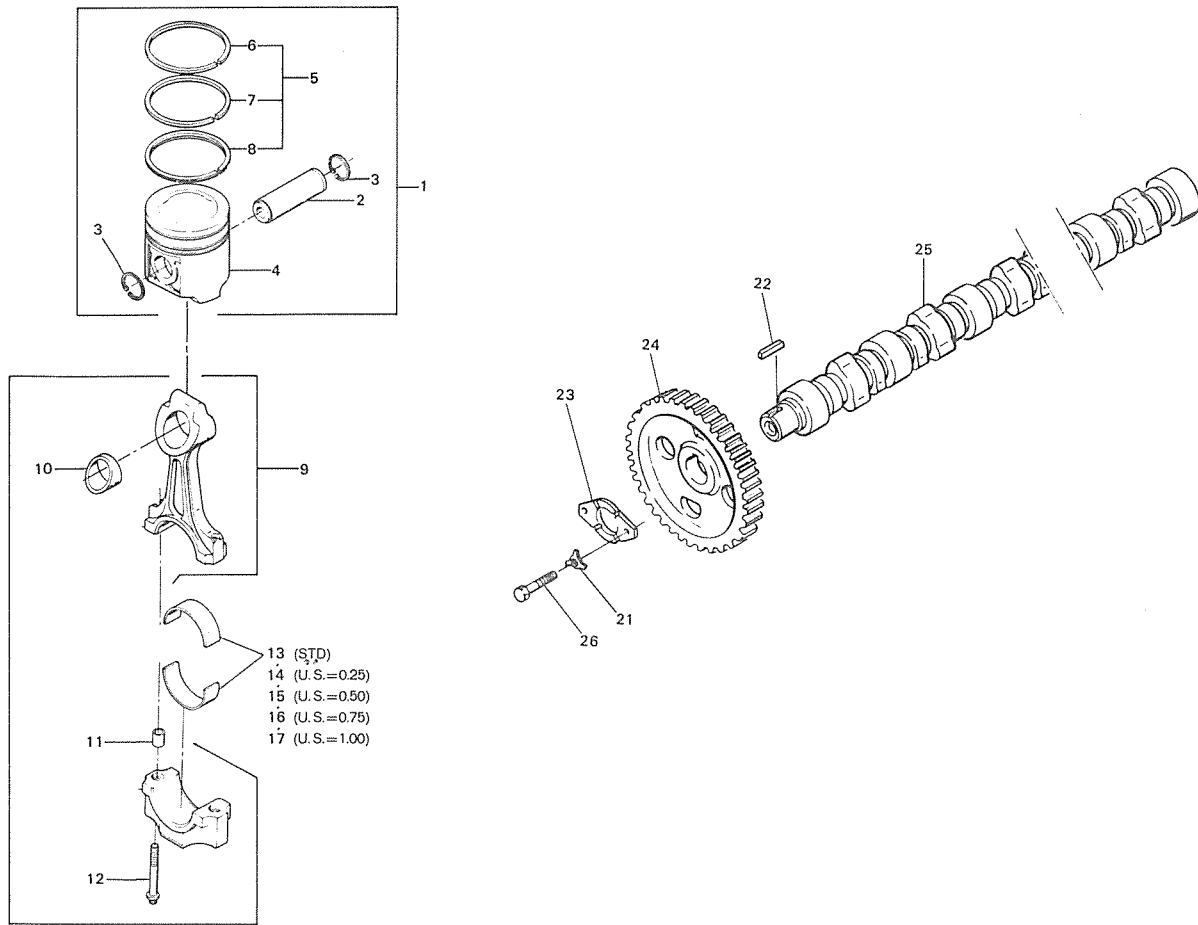
- Please note: If there is no response to CLICKING the link, please download this PDF first and then click on it.

CLICK HERE TO **DOWNLOAD** THE COMPLETE MANUAL

PART NAME	PART NUMBER	ENGINE MODEL
ENGINE ASSY	25B0370L000	LT10-C-

2. CYLINDER BLOCK

ET4-233 PISTON, CONNECTING ROD AND CAMSHAFT



CLICK HERE TO **DOWNLOAD** THE COMPLETE MANUAL

- Thank you very much for reading the preview of the manual.
- You can download the complete manual from: www.heydownloads.com by clicking the link below



- Please note: If there is no response to CLICKING the link, please download this PDF first and then click on it.

CLICK HERE TO **DOWNLOAD** THE COMPLETE MANUAL

601-3;

ET4-601

SYM BOL	PART NUMBER	PART NAME	UNIT Q.TY	SERIAL		***** R E M A R K S *****
				(A)	(B)	N P D (A) (B) (C) (D) (E) , , , , , REMARK , , , , ,
034A	YE553604	WASHER, PLAIN	2	513491-		
035A	YE3335003	BOLT	1	513491-		(M10 X 30 P1.50)

CLICK HERE TO **DOWNLOAD** THE COMPLETE MANUAL

- Thank you very much for reading the preview of the manual.
- You can download the complete manual from: www.heydownloads.com by clicking the link below



- Please note: If there is no response to CLICKING the link, please download this PDF first and then click on it.

CLICK HERE TO **DOWNLOAD** THE COMPLETE MANUAL