



93309-00320

January 2007

# ***PARTS CATALOG***

***WHEEL LOADER***

***80ZV-2***

**HOT SLAG SPEC.**

Powered by CUMMINS QSC8.3 Engine

Serial No. 80C5-5001 ~

CLICK HERE TO **DOWNLOAD** THE COMPLETE MANUAL

- Thank you very much for reading the preview of the manual.
- You can download the complete manual from: [www.heydownloads.com](http://www.heydownloads.com) by clicking the link below

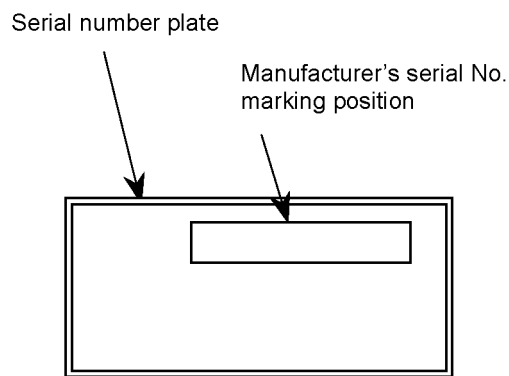
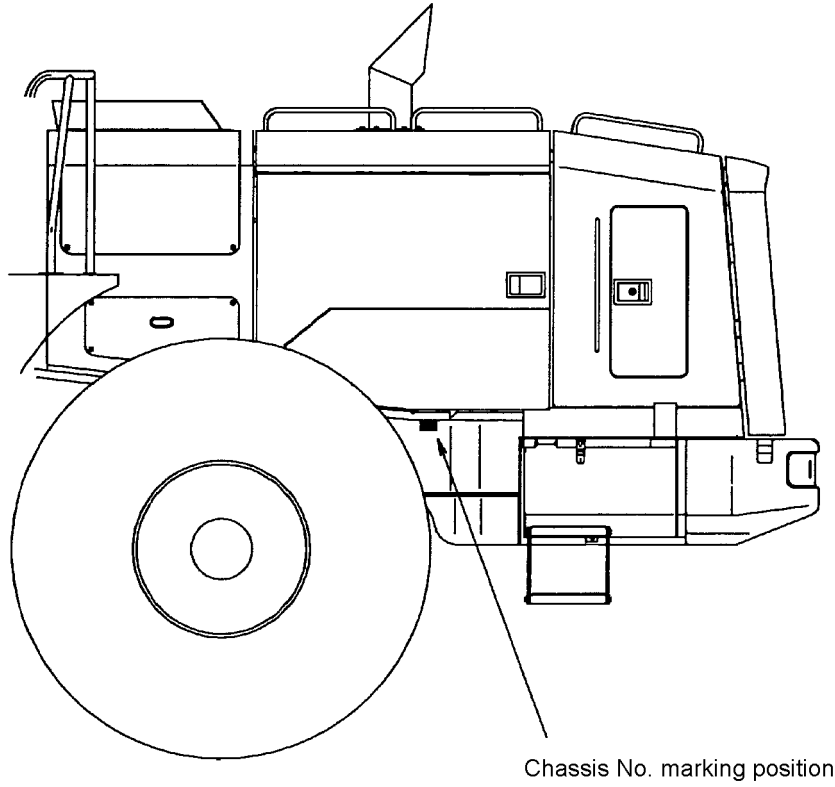


- Please note: If there is no response to CLICKING the link, please download this PDF first and then click on it.

CLICK HERE TO **DOWNLOAD** THE COMPLETE MANUAL

# Chassis No. and Manufacturer's Serial No.

1. The chassis No. and the manufacturer's serial No. are marked in the following positions:

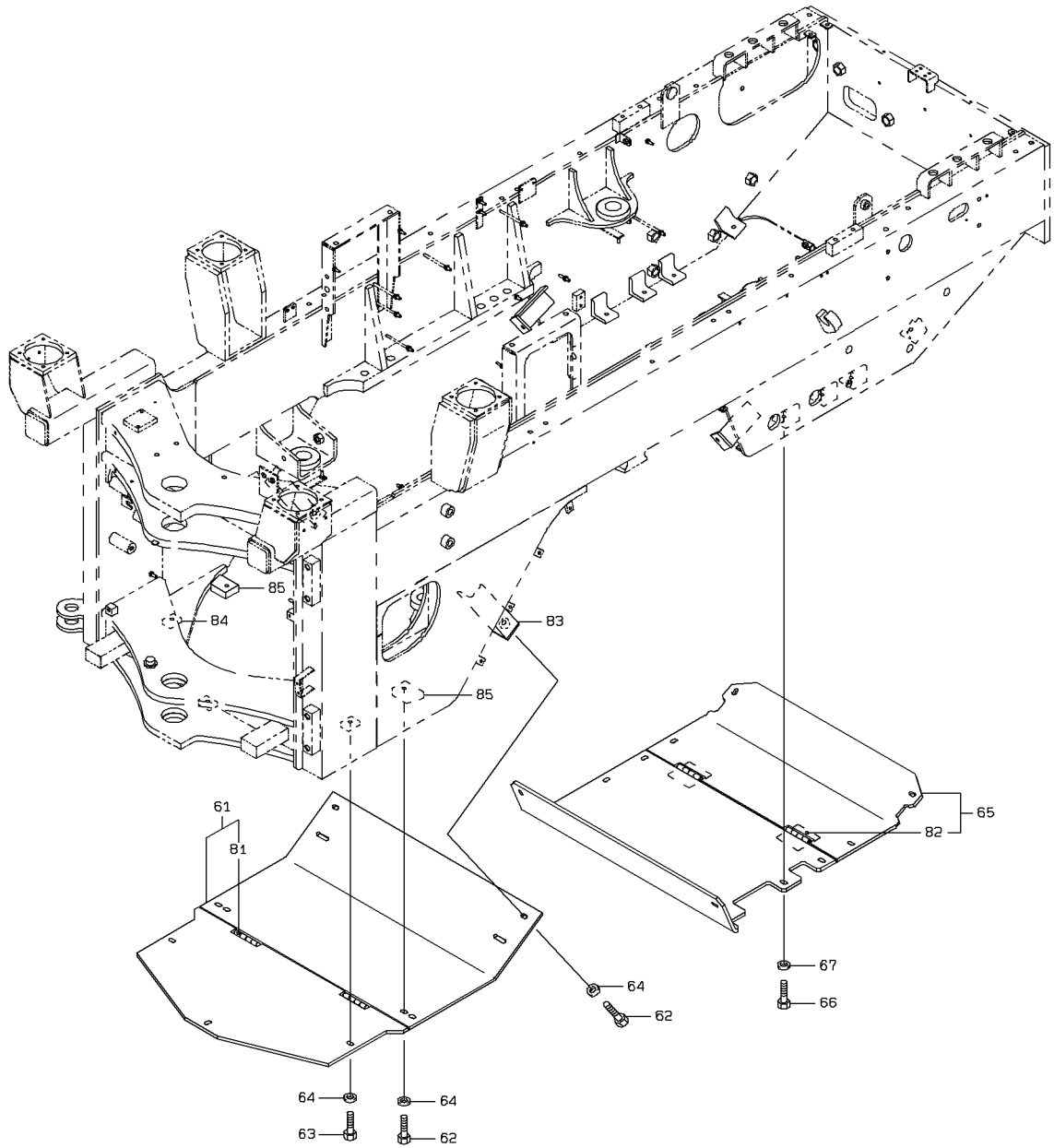


Note: For the serial No. plate installation position, refer to the Marking group section.

### FUEL TANK GROUP

SYM-BOL	PART NUMBER	PART NAME	UNIT Q,TY	SERIAL (A) - (B)	REMARKS					
					N	P	D	(A)	(B)	(C)
21A	41712-24580	PLATE	1	5116 -						
22A	41620-35140	PLATE	1	5116 -						
23A	41620-35150	PLATE	1	5116 -						
24A	41620-35160	PLATE	1	5116 -						
25A	41620-35170	PLATE	1	5116 -						

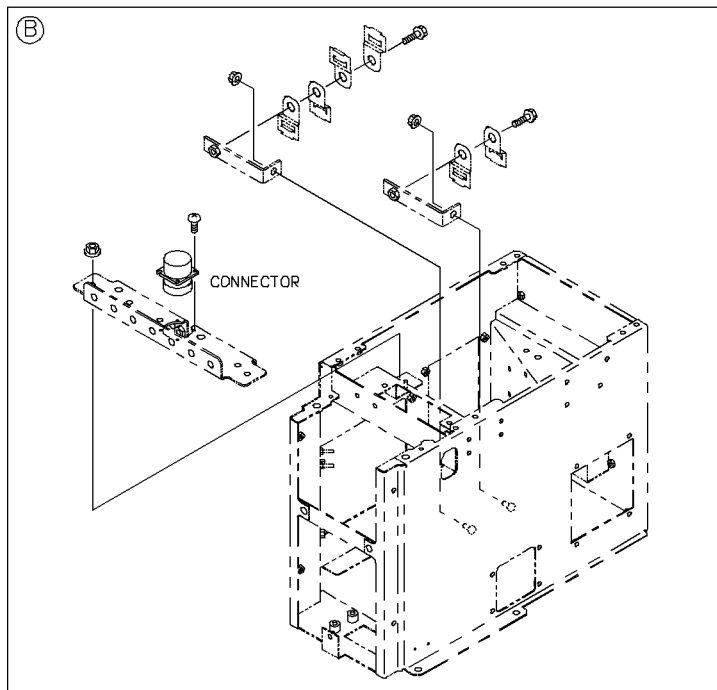
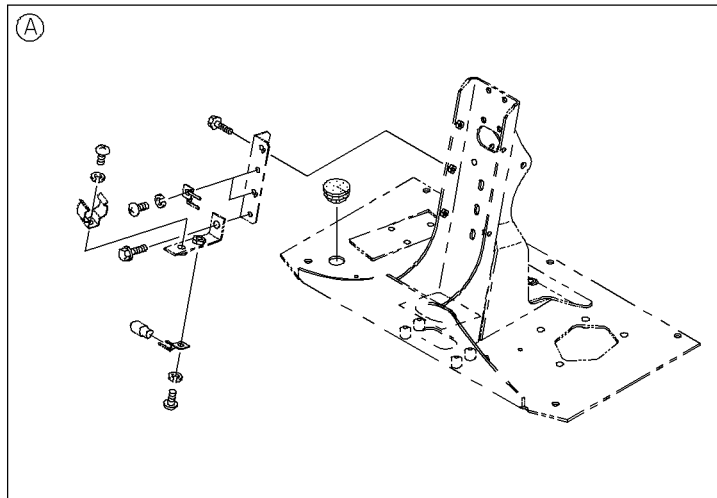
# COVER MOUNT



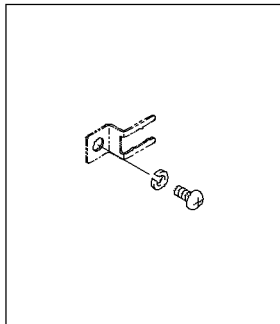
2-A

# ELECTRICAL WIRING - FLOOR BOARD

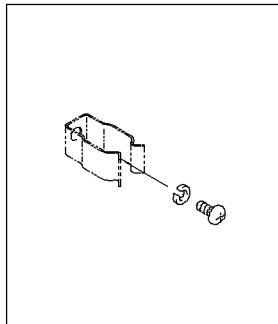
(NOTE): REFER TO STANDARD CATALOG(REF. GNB-175) FOR NO SYMBOL PARTS.



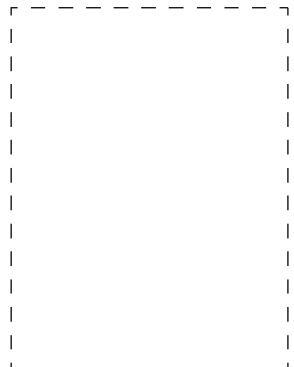
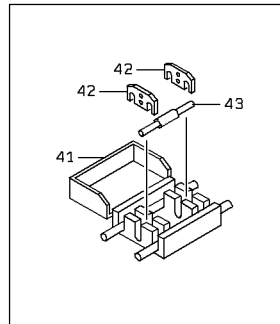
DETAIL OF HOLDER



DETAIL OF CLAMP



DETAIL OF DIODE



CLICK HERE TO **DOWNLOAD** THE COMPLETE MANUAL

- Thank you very much for reading the preview of the manual.
- You can download the complete manual from: [www.heydownloads.com](http://www.heydownloads.com) by clicking the link below



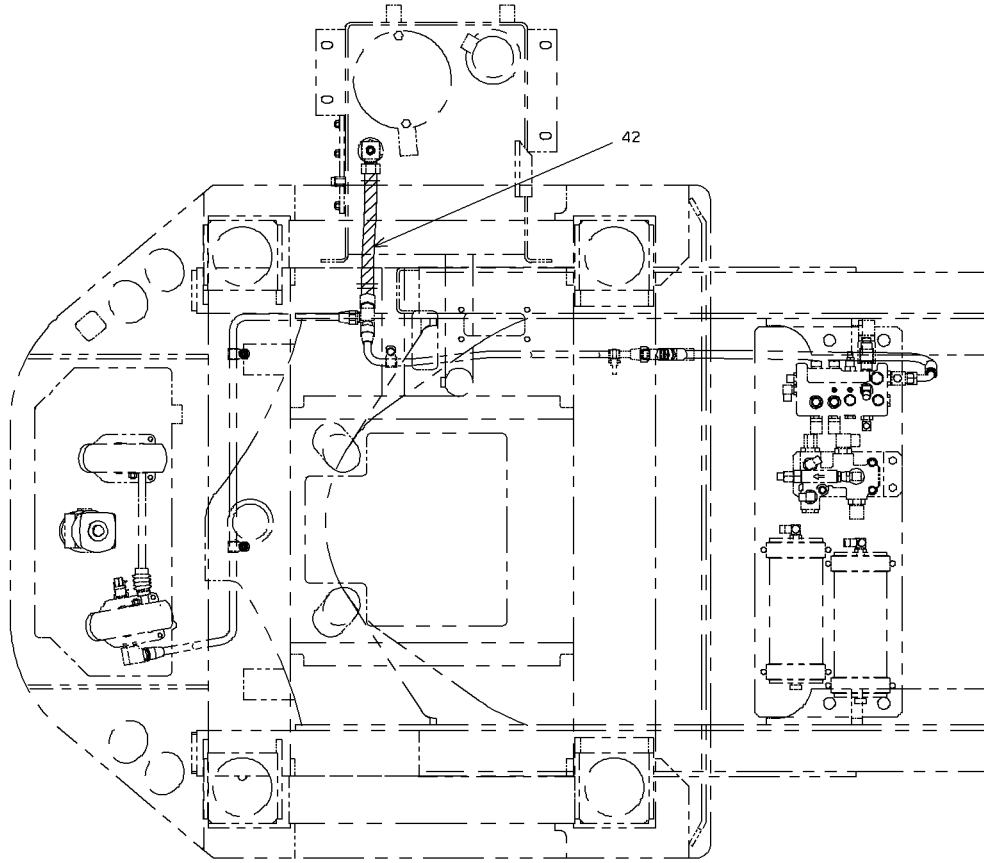
- Please note: If there is no response to CLICKING the link, please download this PDF first and then click on it.

CLICK HERE TO **DOWNLOAD** THE COMPLETE MANUAL

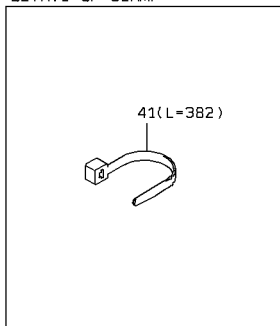
### RADIATOR

SYM-BOL	PART NUMBER	PART NAME	UNIT Q,TY	SERIAL (A) - (B)	REMARKS				REMARK
					N	P	D		
000A	44721-64260	RADIATOR ASSY	1	5116 -					
21A	32210-71610	CAP	1	5116 -					
22A	41530-74570	PLUG	2	5116 -					
23A	33281-72280	CORE ASSY	1	5116 -			Y01		
41A	36201-70070	TANK ASSY	1	5116 -			01		
42A	36201-70080	TANK ASSY	1	5116 -			01		
43A	33610-70620	SUPPORT ASSY	1	5116 -			01		
44A	33610-70630	SUPPORT ASSY	1	5116 -			01		
45A	45090-70020	RIB	4	5116 -			01		
46A	49620-70140	BOLT ASSY	16	5116 -			01		
47A	41611-70550	PLATE	4	5116 -			01		
48A	41611-70560	PLATE	4	5116 -			01		
49A	41611-70440	PLATE	4	5116 -			01		
50A	41600-70440	PLATE	4	5116 -			01		
51A	43925-70170	BOLT SET	60	5116 -			01		
52A	43925-70210	BOLT SET	24	5116 -			01		
53A	31990-71870	GASKET	2	5116 -			01		
54A	39600-72000	PACKING	2	5116 -			01		
55A	39600-72490	PACKING	4	5116 -			01		

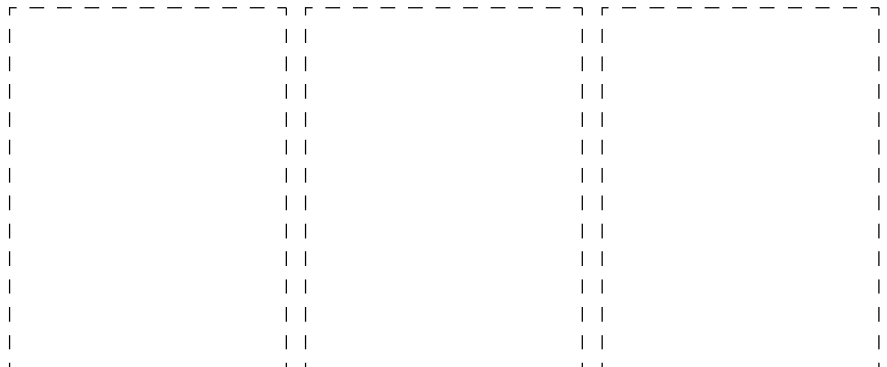
# BRAKE LINE - FLOOR BOARD(HOSE)



DETAIL OF CLAMP



2-A



BRAKE LINE - REAR CHASSIS (P/BRAKE OVERRIDE)

SYM-BOL	PART NUMBER	PART NAME	UNIT Q,TY	SERIAL		REMARKS													
				(A)	(B)	N	P	D	(A)	(B)	(C)	(D)	REMARK						
41A	88201-06706	ADAPTER	1	5116	-														
42A	88241-07206	ADAPTER,ELBOW	1	5116	-						Y01								
43A	72001-11500	HOLDER,PIPE	24	5116	-						Y01								
44A	72010-34000	HOLDER,HOSE	6	5116	-														D=15
45A	65801-63016	BUSHING,ELASTIC	1	5116	-														D=34
46A	72001-12500	HOLDER,PIPE	2	5116	-														D=25
47A	72010-37000	HOLDER,HOSE	3	5116	-														D=37
48A	38554-20130	VALVE,CHECK	1	5116	-														
49A	30246-25000	ADAPTER,TEE	1	5116	-							Y02							
50A	72001-11800	HOLDER,PIPE	1	5116	-														D=18
51A	72010-31000	HOLDER,HOSE	2	5116	-														D=31
52A	88241-07104	ADAPTER,ELBOW	1	5116	-							Y02							
53A	30242-20150	ADAPTER,ELBOW UNIO	1	5116	-														
54A	61802-08020	BOLT,FLANGED	9	5116	-														
55A	62480-21081	NUT,FLANGED	23	5116	-														
56A	43113-55800	HOSE,HIGH PRESSURE	1	5116	-														
57A	43113-41050	HOSE,HIGH PRESSURE	1	5116	-														
58A	43113-55820	HOSE,HIGH PRESSURE	1	5116	-														
59A	43113-55830	HOSE,HIGH PRESSURE	1	5116	-														
60A	43113-55840	HOSE,HIGH PRESSURE	1	5116	-														
61A	43113-55850	HOSE,HIGH PRESSURE	1	5116	-														
71A	65210-12014	RING,O	1	5116	-						01								
73A	65210-12011	RING,O	1	5116	-							02							

### ACCUMULATOR (P/BRAKE OVERRIDE)

SYM-BOL	PART NUMBER	PART NAME	UNIT Q, TY	SERIAL		REMARKS						
				(A)	(B)	N	P	D	(A)	(B)	(C)	(D)
000A	30100-60820	ACCUMULATOR ASSY	1	5116	-							
21A	32210-72720	CAP	1	5116	-							
22A	32210-72730	CAP	1	5116	-							
23A	39960-72610	PISTON	1	5116	-							
24A	45200-71640	RING	2	5116	-							
25A	38511-71550-7	VALVE ASSY	1	5116	-				Y01			
26A	48979-70080	PROTECTOR	1	5116	-							
27A	41678-70040-7	PLATE, NAME	1	5116	-							
28A	48979-70070	PROTECTOR	1	5116	-							
29A	35100-72320	SCREW	2	5116	-							
30A	49327-74340	SEAL KIT	1	5116	-					QK1		
41A	47131-77330	RING, O	1	5116	-					K1		
42A	34000-71050	SEAL	2	5116	-					K1		
43A	47194-71760	RING, BACK-UP	2	5116	-					K1		
44A	47194-71770	RING, BACK-UP	2	5116	-					K1		
61A	47131-75760-7	RING, O	1	5116	-				01	K1		

---

MEMO

---

### CAB ACCESSORIES MOUNT

SYM-BOL	PART NUMBER	PART NAME	UNIT Q, TY	SERIAL (A) - (B)	REMARKS					
					N	P	D	(A)	(B)	(C)
21A	40205-20040	FAN ASSY	1	5116 -				Y01		
22A	41620-37400	PLATE	1	5116 -						
23A	61802-10025	BOLT, FLANGED	6	5116 -						
24A	62480-21101	NUT, FLANGED	6	5116 -						
25A	61802-12020	BOLT, FLANGED	4	5116 -						
44A	41619-55030	PLATE	2	5116 -						WELDING
61A	40330-70640	FILTER	1	5116 -				01		
62A	43780-24700	BOSS	6	5116 -						WELDING
81A	36430-24290	DUCT	1	5116 -		C				
82A	43111-22880	HOSE, AIR	1	5116 -						
83A	69002-12700-7	BAND, HOSE	2	5116 -						
84A	31990-25980	GASKET	1	5116 -						
85A	61802-10020	BOLT, FLANGED	4	5116 -						
101A	33193-48670	CABLE ASSY	1	5116 -						
102A	65801-08016	BUSHING, ELASTIC	1	5116 -						

CLICK HERE TO **DOWNLOAD** THE COMPLETE MANUAL

- Thank you very much for reading the preview of the manual.
- You can download the complete manual from: [www.heydownloads.com](http://www.heydownloads.com) by clicking the link below



- Please note: If there is no response to CLICKING the link, please download this PDF first and then click on it.

CLICK HERE TO **DOWNLOAD** THE COMPLETE MANUAL