

PARTS CATALOG

WHEEL LOADER

80ZV-2

Powered by CUMMINS QSC8.3 Engine

Serial No. 80C5-9001 ~

CLICK HERE TO **DOWNLOAD** THE COMPLETE MANUAL

- Thank you very much for reading the preview of the manual.
- You can download the complete manual from: www.heydownloads.com by clicking the link below



- Please note: If there is no response to CLICKING the link, please download this PDF first and then click on it.

CLICK HERE TO **DOWNLOAD** THE COMPLETE MANUAL

Before Use

I. Introduction

This parts catalog is applied to models indicated on the cover.
Parts of special specifications are not included.
For engines, refer to the "Engine Parts Catalog" offered separately.

II. How to Order Parts

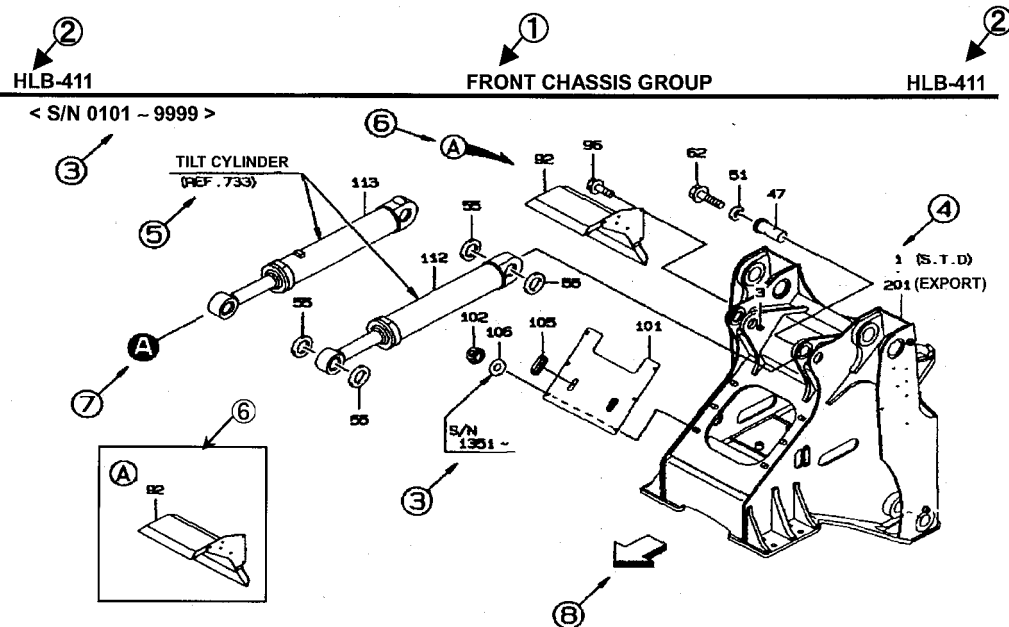
When ordering a part, refer to illustrations and lists in this parts catalog, and clearly notify our company of the model name, the chassis No., the parts No., the parts name, the required quantity, etc.

III. How to Look at Parts Catalog

Illustrations in the parts catalog show the "position and shape" of each part in the range required in ordering. Accordingly, illustrations do not always agree with actual parts.

1. How to look at illustrations

The illustration shown below as an example helps you to understand how to look at illustrations.

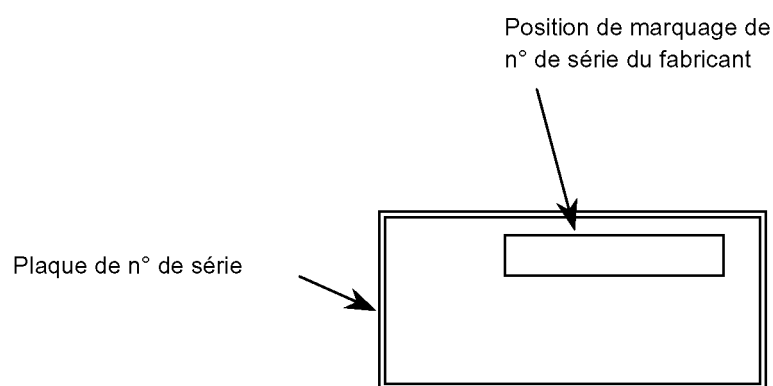
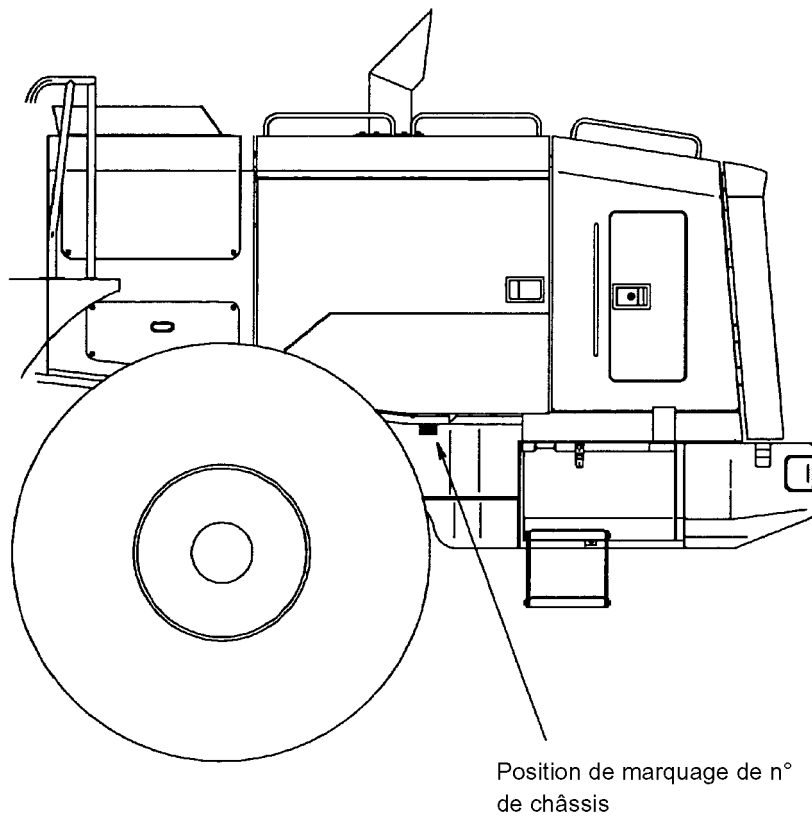


Encircled numbers indicate the following contents:

- ① section name
- ② Model code, section No.
- ③ Applicable chassis Nos. (which indicate the application start and end chassis Nos.)
- ④ Symbol (which corresponds to the "SYMBOL" column shown in the list)
- ⑤ Relevant unit guide symbol
- ⑥ Balloon symbol (which indicates presence of a detailed figure)
- ⑦ Connection symbol (shows where one component connects to another component)
- ⑧ Direction symbol (which indicates the front of the machine)

N°. de châssis et n°. de série du fabricant

1. Le n° de châssis et le n° de série du fabricant sont indiqués dans les emplacements suivants:



Note: Pour la position d'installation de plaque de n° de série, reportez-vous à la section de groupe marquage

⑦ N. DI SERIE(A) • N. DI SERIE(B) (numeri di telaio applicabili)

SERIE(A) : Indica il N. di telaio iniziale dell'applicazione

SERIE(B) : Indica il N. di telaio finale dell'applicazione

Tuttavia i numeri del convertitore di coppia, della trasmissione e della cabina sono differenti dal numero di telaio (il numero di serie indicato riguarda il particolare - non la macchina o il telaio).

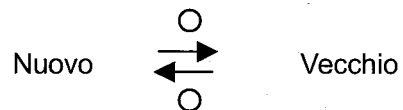
⑧ COMMENTI: [N] (non in vendita)

I particolari non disponibili per la vendita sono indicati con "N".

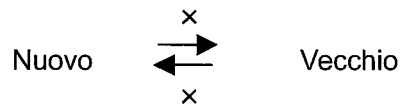
⑨ COMMENTI: [P] (compatibilità dei particolari)

La compatibilità dei particolari è indicata dai simboli A, B e C, che hanno il seguente significato:

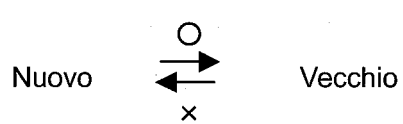
[A] Un particolare nuovo e uno vecchio sono completamente compatibili tra loro.



[B] Un particolare nuovo e uno vecchio non sono compatibili tra loro.



[C] Un nuovo particolare è alternativo a un vecchio particolare.
In questo caso, il particolare nuovo non può sostituire quello vecchio.



⑩ COMMENTI: [D] (non disponibile o fornitura sospesa)

[D] Indica che il particolare è stato eliminato.

[H] Indica che la produzione o la fornitura del particolare è stata interrotta.
Un'alternativa viene mostrata al di sotto.

⑪ COMMENTI: [(A)], [(B)], [(C)], [(D)]

I simboli indicati in questa colonna hanno il seguente significato.

(1) Assiemei

(a) 01 - : Indica i particolari di un assieme.

(b) Y01 - : Indica l'assieme che comprende tali particolari.

[Esempio 1] (Fare riferimento all'elenco che si trova nella pagina precedente.)

Il particolare "front chassis" (Telaio anteriore) 1A 34256-20050 ha Y01 nella colonna dei Commenti.

Significa che tale assieme comprende i particolari indicati con 01[41A e 42A] nella colonna dei Commenti.

(2) Kit

(a) K1 - : Indica i particolari che compongono un kit.

(b) QK1 - : Indica il kit che comprende i particolari K1 -, K2 -.

(3) Particolari intercambiabili se sostituiti insieme agli altri particolari collegati.

(a) A1 - : Indica particolari richiesti per l'intercambiabilità.

(b) WA1~ : Indica particolari intercambiabili quando sostituiti insieme ai particolari A1.

[Esempio 2] (Fare riferimento all'elenco che si trova nella pagina precedente.)

Il particolare 3B 44344-70020 [WA1] può sostituire il vecchio particolare 3A 44340-70210 solo se sostituito insieme al piatto 4B 41605-41290 [A1].

Antes de utilizar

I. Introdução

Este catálogo de peças aplica-se aos modelos indicados na capa.

As peças com especificações especiais não estão incluídas.

Para os motores, consulte o “Catálogo de Peças de Motor” disponibilizado em separado.

II. Como encomendar peças

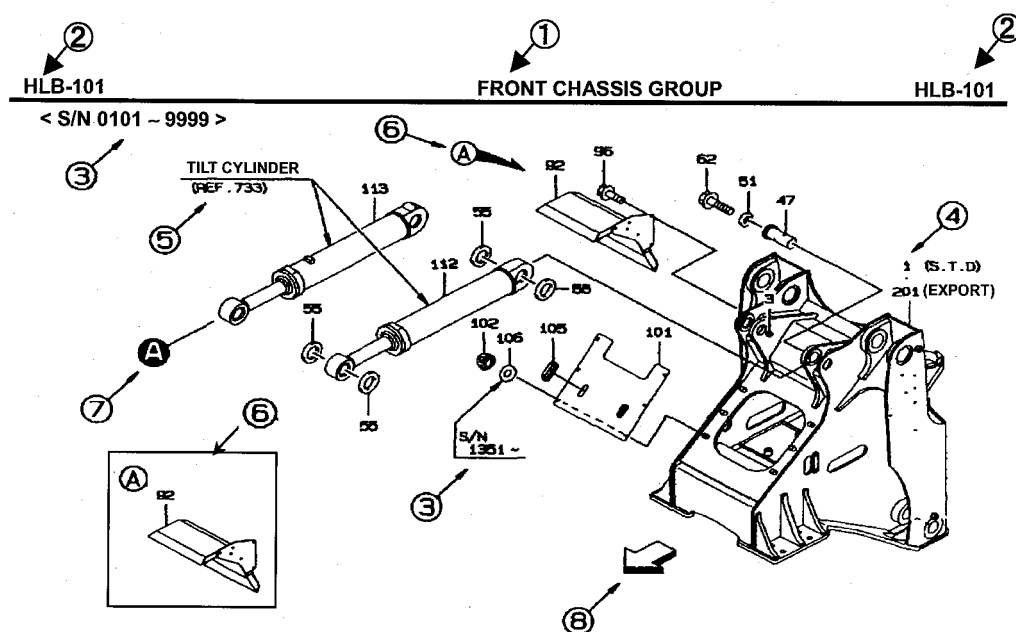
Quando encomendar uma peça, consulte as figuras e as listas deste catálogo de peças e indique-nos correctamente o nome do modelo, o N.º do chassis, a referência da peça, o nome da peça, a quantidade necessária, etc.

III. Como consultar o catálogo de peças

As figuras deste catálogo de peças mostram a “posição e forma” de cada peça dentro da margem necessária para efectuar um pedido. Do mesmo modo, as figuras não são sempre fiéis às peças reais.

1. Como consultar as figuras

A figura abaixo indicada como um exemplo ajuda-o a perceber como consultar as figuras.

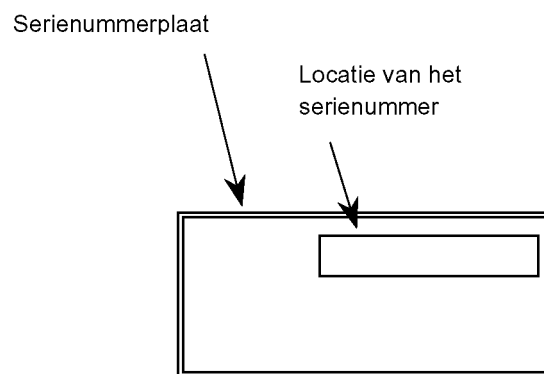
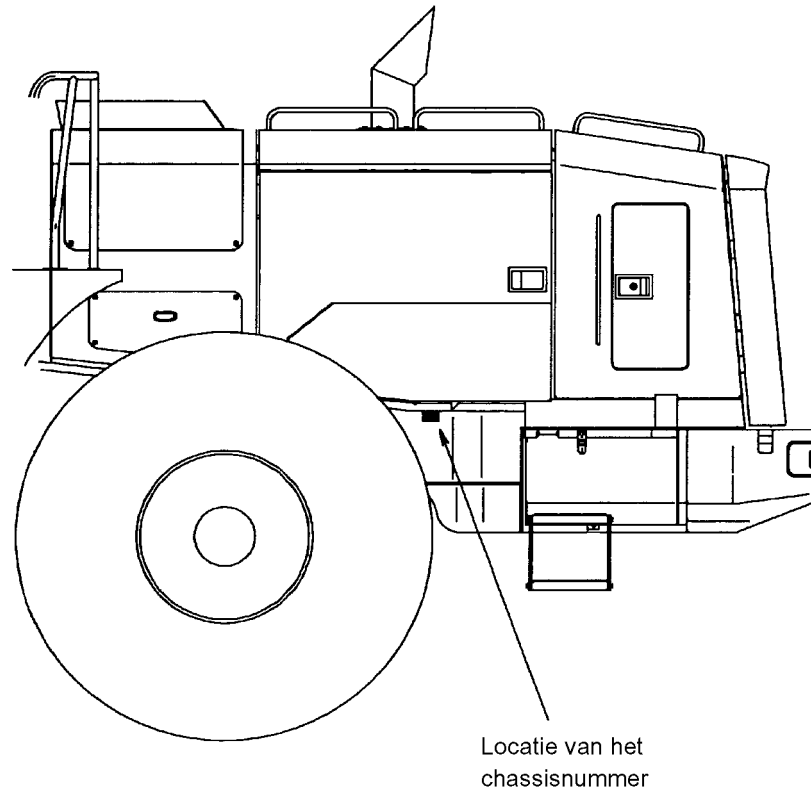


Os números dentro dos círculos indicam o seguinte conteúdo:

- ①, ② Código do modelo, N.º e nome da secção
- ③ N.ºs de chassis aplicáveis) (que indicam os N.ºs de chassis de início e final de aplicação)
- ④ Símbolo (que corresponde à coluna “SÍMBOLO” indicada na lista)
- ⑤ Símbolo de guia da unidade relevante
- ⑥ Símbolo de balão (que indica a presença de uma figura detalhada)
- ⑦ Símbolo de ligação (mostra onde um componente se liga a outro componente)
- ⑧ Símbolo de direcção (que indica a parte dianteira da máquina)

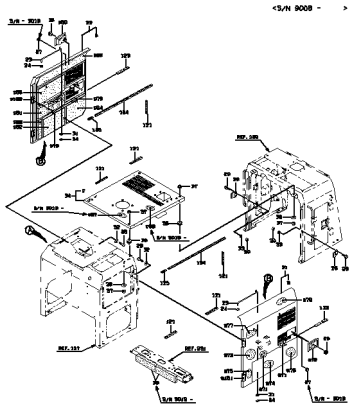
Chassisnummer en serienummer

1. Het chassisnummer en het serienummer zijn aangegeven op onderstaande locaties:

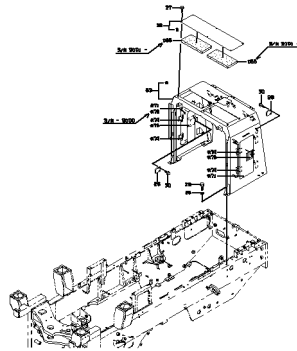


Opmerking: Zie voor de positie van de serienummerplaat het onderdeel Markeringsgroep.

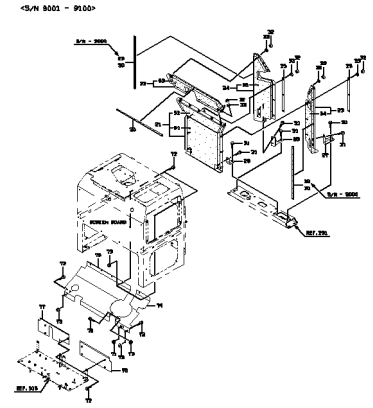
ENGINE ROOM MOUNT
.....p.36



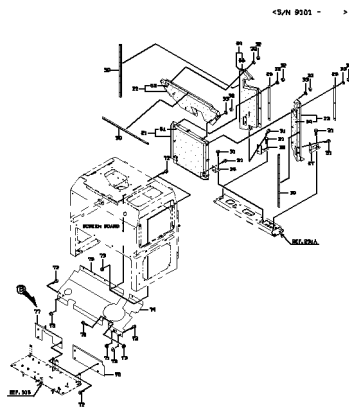
RADIATOR GUARD MOUNT
.....p.39



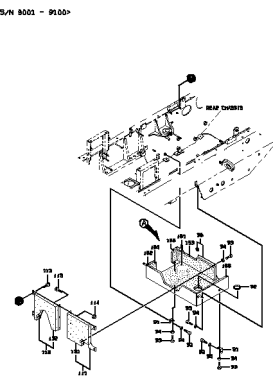
PARTITION PLATE MOUNT
.....p.41



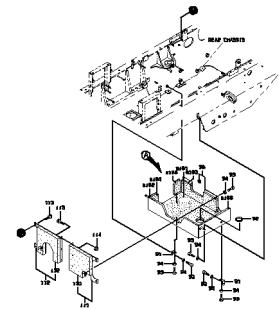
PARTITION PLATE MOUNT
.....p.42



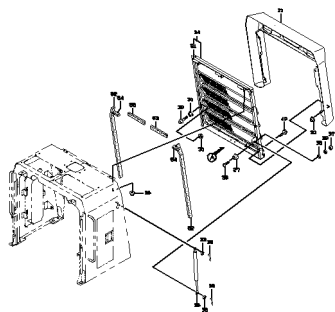
PARTITION PLATE MOUNT
.....p.43



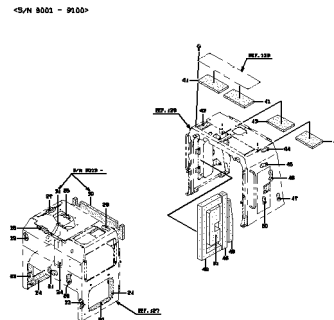
PARTITION PLATE MOUNT
.....p.44



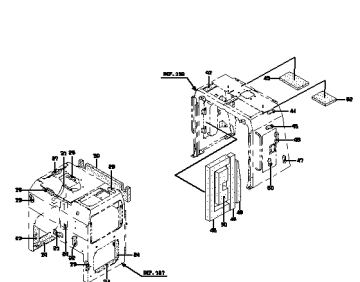
REAR GRILLE GROUP
.....p.47



SPONGE MOUNT
.....p.49



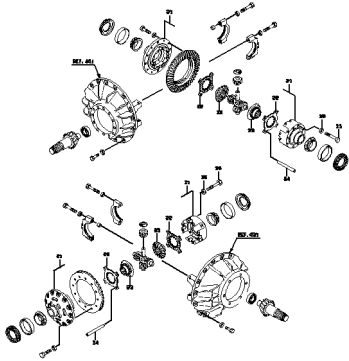
SPONGE MOUNT
.....p.50



LIMITED SLIP
DIFFERENTIAL
MOUNT(OPTION)

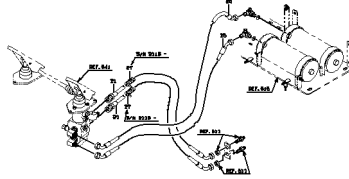
.....p.205

REFER TO DRAWING DETAIL/436, REF. 402 FOR AN ISM. PART.



BRAKE LINE - FLOOR
BOARD(FLARED PIPE)

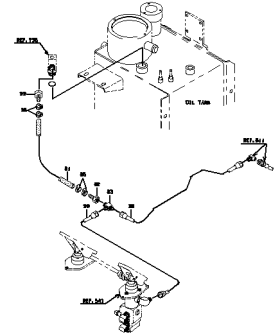
.....p.207



BRAKE LINE - FLOOR
BOARD(HOSE)

.....p.209

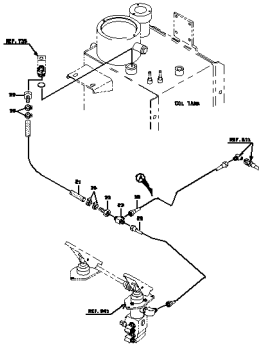
<5/4 9001 - 9000>



BRAKE LINE - FLOOR
BOARD(HOSE)

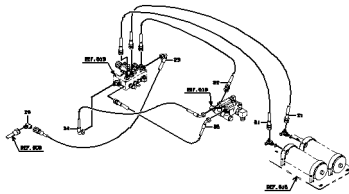
.....p.210

<5/4 9001 - >



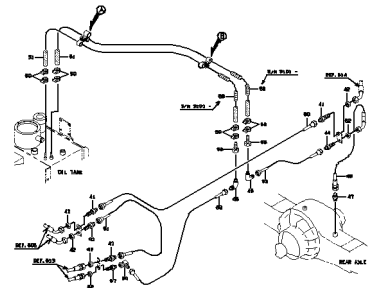
BRAKE LINE - REAR
CHASSIS

.....p.213



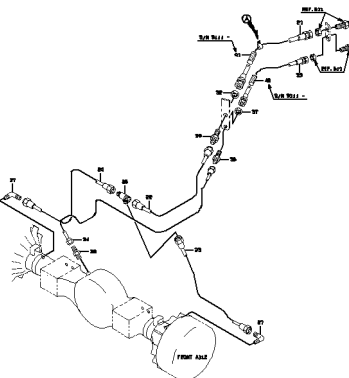
BRAKE LINE - REAR
CHASSIS

.....p.214



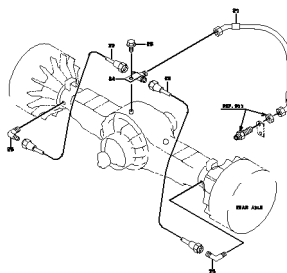
BRAKE LINE - FRONT
AXLE

.....p.217



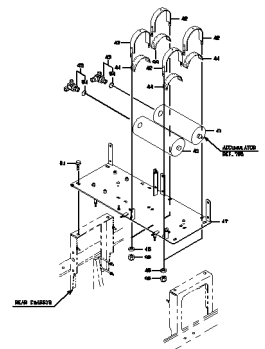
BRAKE LINE - REAR AXLE

.....p.219

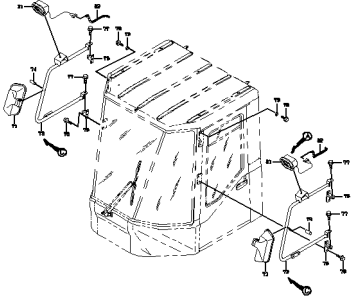


BRAKE LINE -
ACCUMULATOR

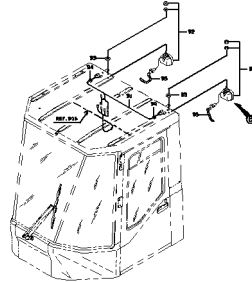
.....p.221



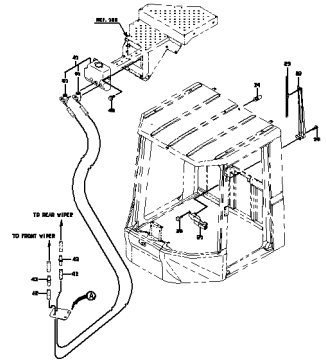
MIRROR GROUP
.....p.375



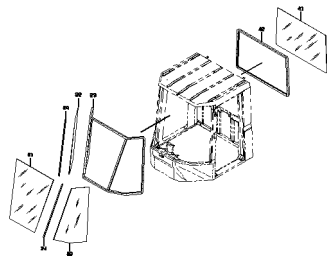
MIRROR GROUP
.....p.376



REAR WIPER & WINDOW
WASHER GROUP
.....p.379

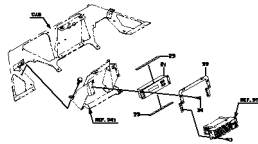


WINDOW GLASS MOUNT
.....p.381



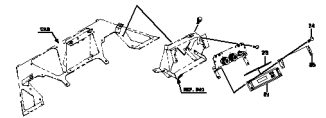
DISPLY MOUNT
.....p.383

<5/N 8001 - 8038>



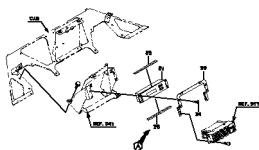
DISPLY MOUNT
.....p.384

<5/N 8040 - 8105>



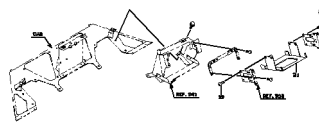
DISPLY MOUNT
.....p.385

<5/N 8101 - >



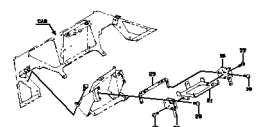
CAR RADIO(CAR
STEREO)MOUNT
.....p.387

<5/N 8001 - 8038>



CAR RADIO(CAR
STEREO)MOUNT
.....p.388

<5/N 8040 - 8105>



PARTS NAME INDEX

LIFT ARM GROUP

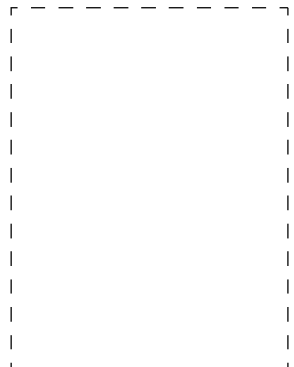
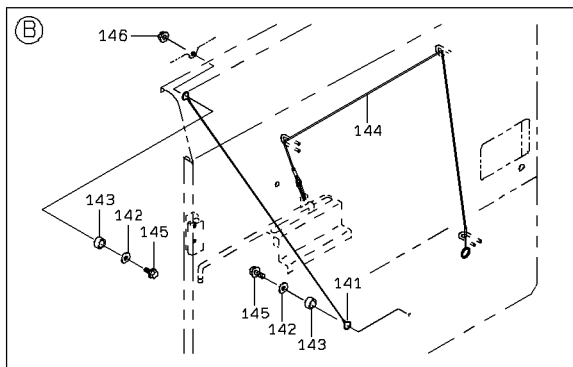
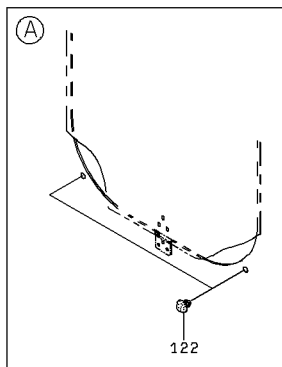
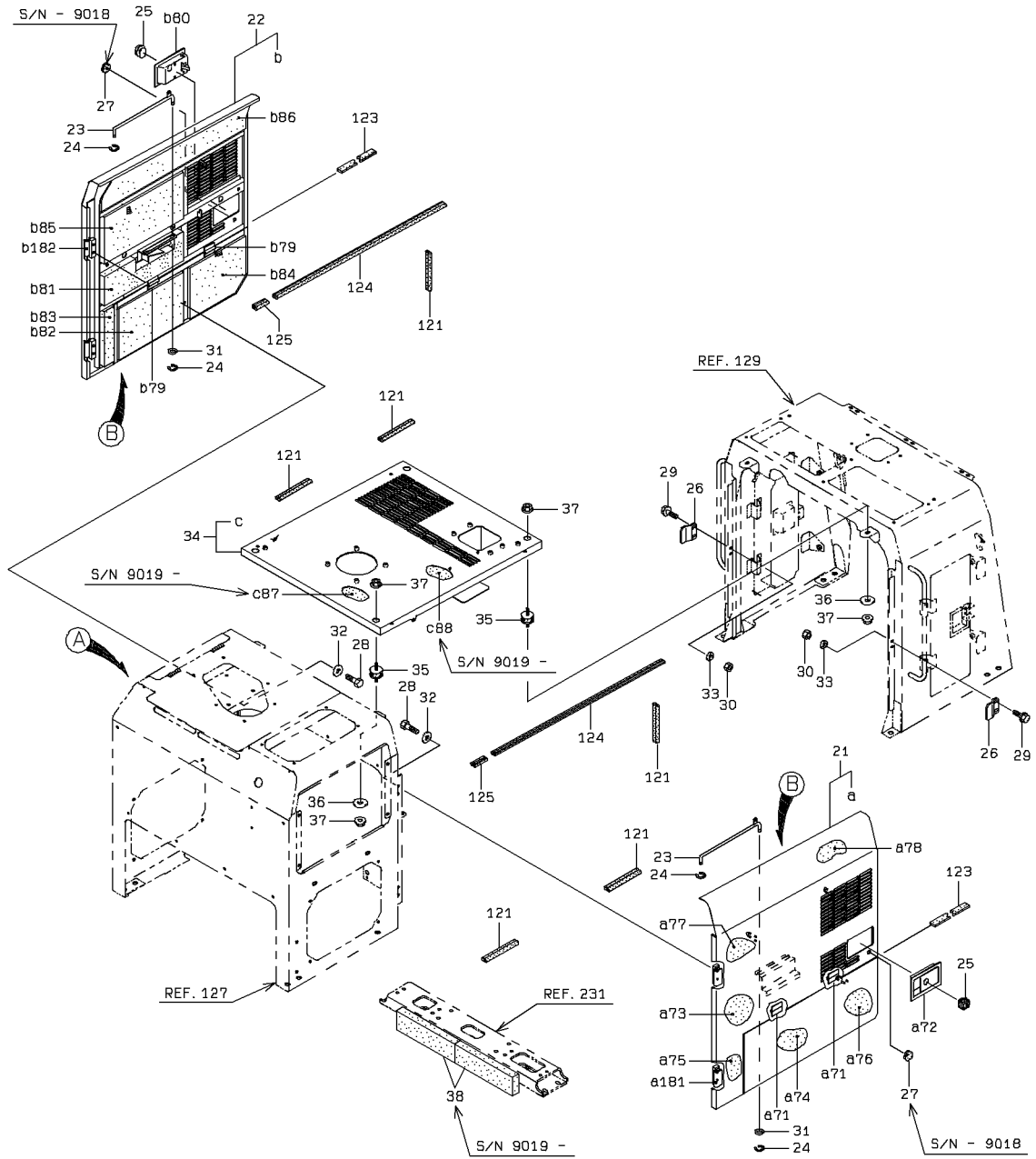
SYM-BOL	PART NUMBER	PART NAME	UNIT Q,TY	SERIAL		REMARKS								
				(A)	(B)	N	P	D	(A)	(B)	(C)	(D)	REMARK	
21A	45610-22630	LEVER ASSY	1	9001	-						Y01			
22A	45125-21320	LINK, BUCKET	1	9001	-							Y02		
41A	30040-23230	ARM ASSY, LIFT	1	9001	-								Y03	
42A	65051-02510	SEAL, DUST	2	9001	-						01			
43A	63422-48930	BUSHING	2	9001	-						01			
44A	63422-43440	BUSHING	4	9001	-							02		
45A	65051-01608	SEAL, DUST	4	9001	-							02		
61A	40840-20300	BUSHING	2	9001	-								03	
62A	63422-42630	BUSHING	2	9001	-								03	
63A	63422-43780	BUSHING	2	9001	-								03	
64A	34020-20040	SEAL ASSY, DUST	4	9001	-								03	Y04
65A	65051-01608	SEAL, DUST	4	9001	-								03	
66A	65051-01906	SEAL, DUST	4	9001	-								03	
67A	63422-45680	BUSHING	4	9001	-								03	
68A	41750-54110	PLATE	1	9001	-	9039								
68B	41751-49860	PLATE	1	9040	-		B							WELDING
69A	41621-20320	BOSS	1	9001	-						01			WELDING
70A	41621-20340	BOSS	1	9001	-						01			WELDING
91A	65051-01208	SEAL, DUST	1	9001	-								04	
111A	41621-20340	BOSS	1	9001	-								03	WELDING
131A	41600-21280	PLATE	2	9001	-									WELDING

FUEL TANK GROUP

SYM-BOL	PART NUMBER	PART NAME	UNIT Q,TY	SERIAL		REMARKS						
				(A)	(B)	N	P	D	(A)	(B)	(C)	(D)
21A	35750-22400	SLEEVE	2	9001	-							
22A	61802-20070	BOLT,FLANGED	2	9001	-							
23A	61802-20050	BOLT,FLANGED	4	9001	-							
24A	62710-18201	WASHER,PLANE	4	9001	-							
41A	41611-20140	PLATE	1	9001	-							
42A	31990-20020	GASKET	1	9001	-							
43A	35828-60030	SENSOR,FUEL LEVEL	1	9001	- 9128							
43B	35828-60380	SENSOR,FUEL LEVEL	1	9129	- 9272							
43C	35828-60520	SENSOR,FUEL LEVEL	1	9273	-							
44A	41535-20090	PLUG,MAGNET	1	9001	- 9350							
44B	41535-20130	PLUG,MAGNET	1	9351	-							
45A	65210-23085	RING,O	1	9001	-							
46A	43571-20150	HOLDER,SPRING	1	9001	-							D=15
47A	40314-60060	FILLER ASSY,FUEL	1	9001	-							
48A	40330-60400	FILTER	1	9001	-							
49A	72001-10600	HOLDER,PIPE	3	9001	-							D=6.35
50A	31200-26300	COVER	1	9001	-							
51A	69100-20600	FLARED FITTING,ELB	1	9001	-							
52A	88111-12490	WASHER,SEAL	1	9001	-							
53A	62480-21101	NUT,FLANGED	12	9001	-							
54A	61802-10016	BOLT,FLANGED	4	9001	-							
55A	62721-06100	WASHER,SPRING	1	9001	-							
56A	62256-51608	SCREW	1	9001	-							
57A	62480-21081	NUT,FLANGED	2	9001	-							
58A	61802-08012	BOLT,FLANGED	5	9001	-							
59A	36233-24460	TANK,FUEL	1	9001	- 9030							
59B	36233-24590	TANK,FUEL	1	9031	-							
60A	38705-57210	PIPE ASSY,FLARED	1	9001	-							

ENGINE ROOM MOUNT

<S/N 9008 - >



2-B

MEMO

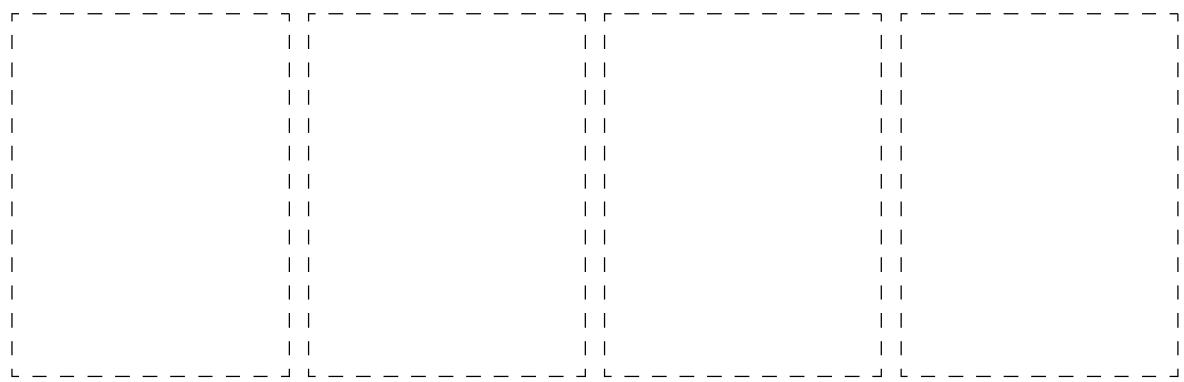
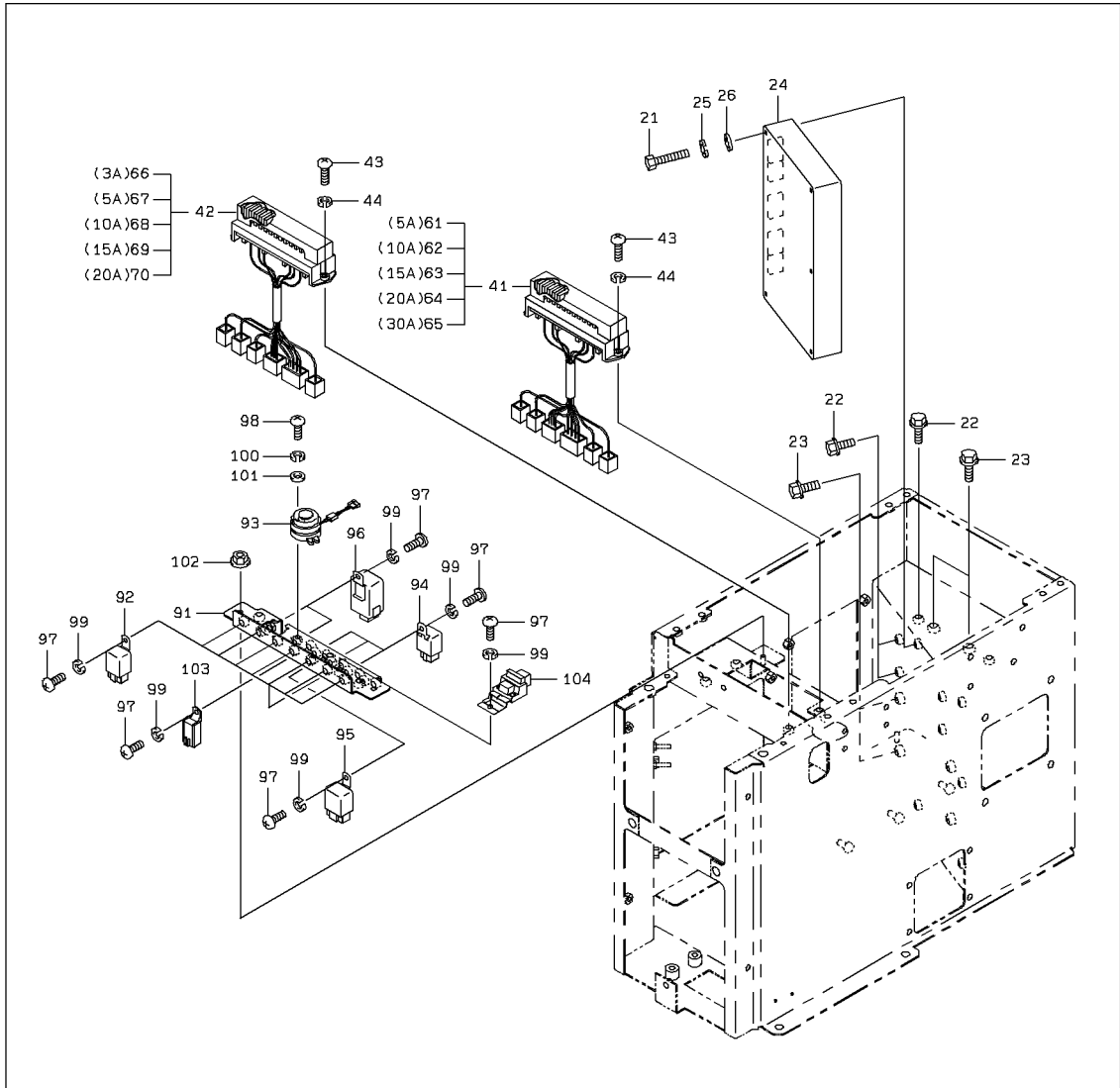
SUSPENSION

SYM-BOL	PART NUMBER	PART NAME	UNIT Q,TY	SERIAL		REMARKS						
				(A)	(B)	N	P	D	(A)	(B)	(C)	(D)
000A	33500-70070	SUSPENSION ASSY	1	9001	-							
21A	30212-70060	ADJUSTOR ASSY	1	9001	-							
22A	35430-70010	STOPPER ASSY	1	9001	-							
23A	36505-70060	DAMPER ASSY	1	9001	-							
24A	49612-70040	BEARING KIT	1	9001	-							
25A	30212-70070	ADJUSTOR ASSY	1	9001	-							
26A	30641-70010	INJECTOR ASSY	1	9001	-							

ELECTRICAL PARTS MOUNT

<S/N 9039 - 9115>

CONTROL UNIT & FUSE BOX & ELECTRICAL UNIT MOUNT



2-A

FRONT LAMP MOUNT

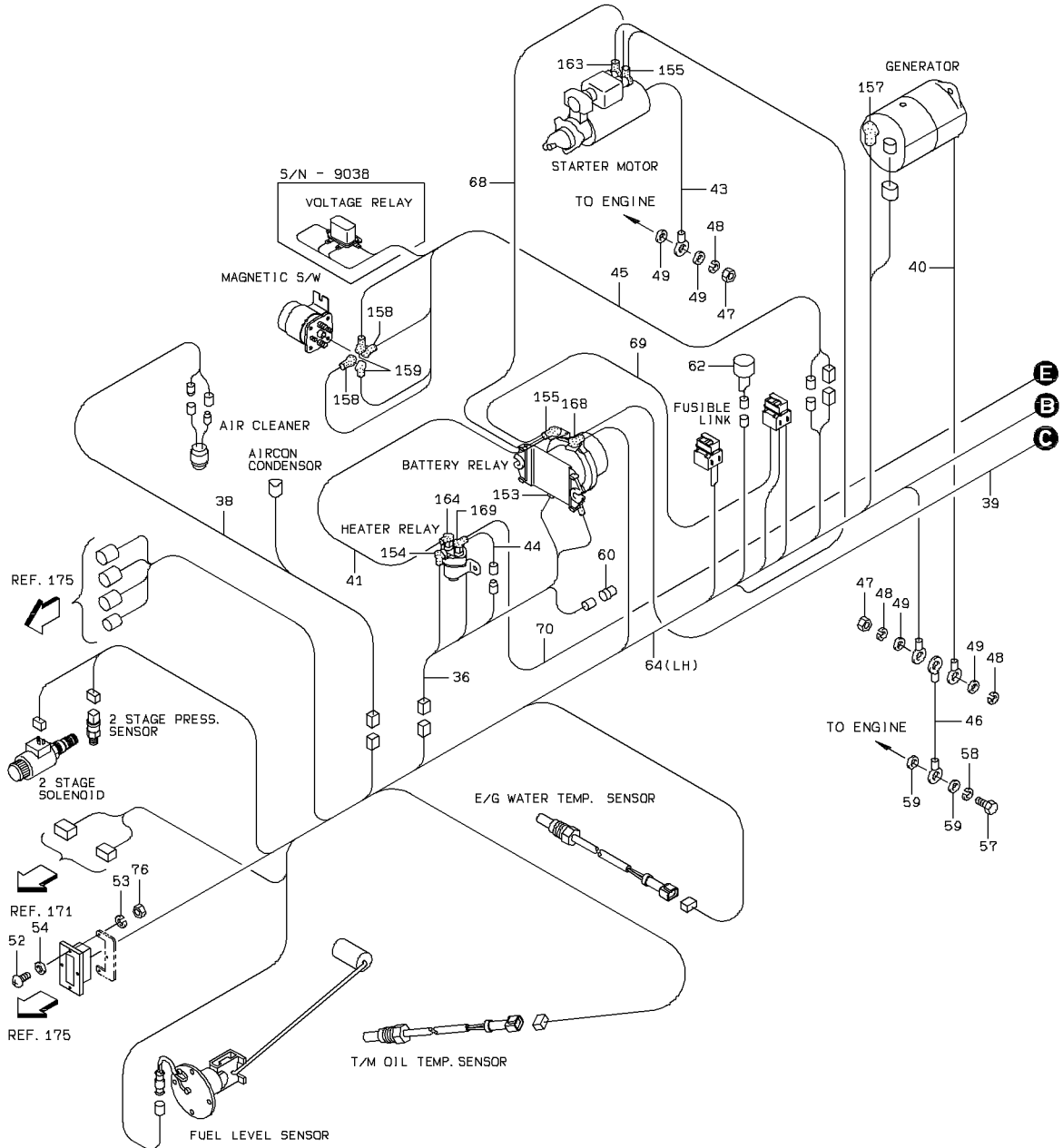
SYM-BOL	PART NUMBER	PART NAME	UNIT Q,TY	SERIAL (A) - (B)	REMARKS						
					N	P	D	(A)	(B)	(C)	(D)
21A	40968-25240	BRACKET,LAMP	1	9001 -							
22A	40968-25250	BRACKET,LAMP	1	9001 -							
23A	44890-60240	LAMP,HEAD	2	9001 -				Y01			HALOGEN LAMP
24A	44890-60260	LAMP,HEAD	2	9001 -					Y02		HALOGEN LAMP
25A	31828-20600	GUARD,LAMP	2	9001 -							
26A	44881-60330	LAMP,COMBINATION	2	9001 -						Y03	
27A	61802-12025	BOLT,FLANGED	8	9001 -							
28A	61802-06016	BOLT,FLANGED	8	9001 -							
29A	65801-10032	BUSHING,ELASTIC	2	9206 -							
41A	62721-14100	WASHER,SPRING	1	9001 -				01			
42A	62401-81142	NUT	1	9001 -				01			
43A	43890-70420	BODY	1	9001 -				01			
44A	31990-71300	GASKET	1	9001 -				01			
45A	40600-70510	FRAME	1	9001 -				01			
46A	38480-70850	BULB	1	9001 -				01			24V75/70W
47A	62261-15025	SCREW,TAPPING	4	9001 -				01			
48A	61001-08020	BOLT	1	9001 -					02		
49A	62401-81081	NUT	1	9001 -					02		
50A	62721-08100	WASHER,SPRING	1	9001 -					02		
51A	61001-06050	BOLT	1	9001 -					02		
52A	37600-72340	NUT	1	9001 -					02		
53A	38480-70770	BULB	1	9001 -					02		24V55W
54A	31990-71750	GASKET	1	9001 -					02		
55A	45701-70800	LENS	1	9001 -					02		
56A	40600-70920	FRAME	1	9001 -					02		
57A	62261-14018	SCREW,TAPPING	4	9001 -					02		
59A	38480-70930	BULB	1	9001 -						03	24V25W
60A	38480-70940	BULB	1	9001 -						03	24V5W
61A	45701-71030	LENS	1	9001 -						03	
62A	45701-71040	LENS	1	9001 -						03	
63A	35100-20030	SCREW	4	9001 -						03	
64A	62256-51410	SCREW	2	9001 -						03	
65A	62403-81122	NUT	1	9001 -						03	
66A	62761-27121	WASHER,TOOTH	1	9001 -						03	

INSTRUMENT PANEL MOUNT

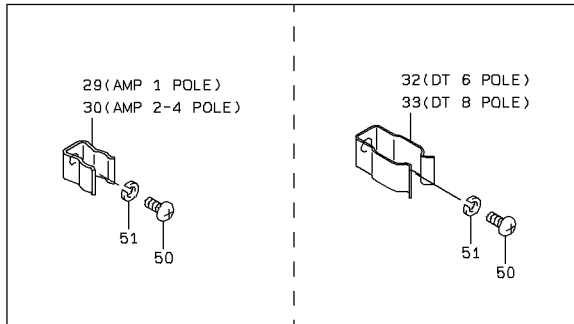
SYM-BOL	PART NUMBER	PART NAME	UNIT Q, TY	SERIAL			REMARKS				
				(A)	-	(B)	N P D	(A)	(B)	(C)	(D)
21A	39753-60670	PANEL ASSY, INSTRUM	1	9001	-	9350		Y01			
21B	39753-60740	PANEL ASSY, INSTRUM	1	9351	-		B				
22A	62256-51412	SCREW	4	9001	-	9350					
22B	62256-51420	SCREW	4	9351	-		B				
23A	62701-40041	WASHER, PLANE	4	9001	-						
24A	62721-04100	WASHER, SPRING	4	9001	-						
41A	31205-70120	COVER	1	9001	-	9350		01			
42A	33243-70050	GAUGE, WATER TEMPER	1	9001	-	9350		01			
43A	33245-70080	GAUGE, OIL TEMPERAT	1	9001	-	9350		01			
44A	33241-70030	GAUGE, FUEL LEVEL	1	9001	-	9350		01			
45A	44370-70050	METER, SPEED	1	9001	-	9350		01			
46A	44361-70050	METER, HOUR	1	9001	-	9350		01			
47A	38480-71040	BULB	32	9001	-	9350		01			28V1.12W
48A	38480-70440	BULB	1	9001	-	9350		01			24V3W
49A	39600-72220	PACKING	1	9001	-	9350		01			

ELECTRICAL WIRING - REAR CHASSIS

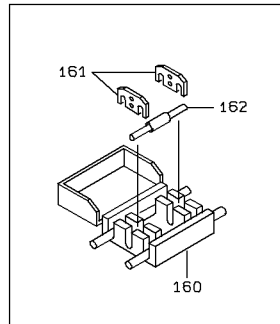
<S/N 9009 - 9039>



DETAIL OF SPRING HOLDER

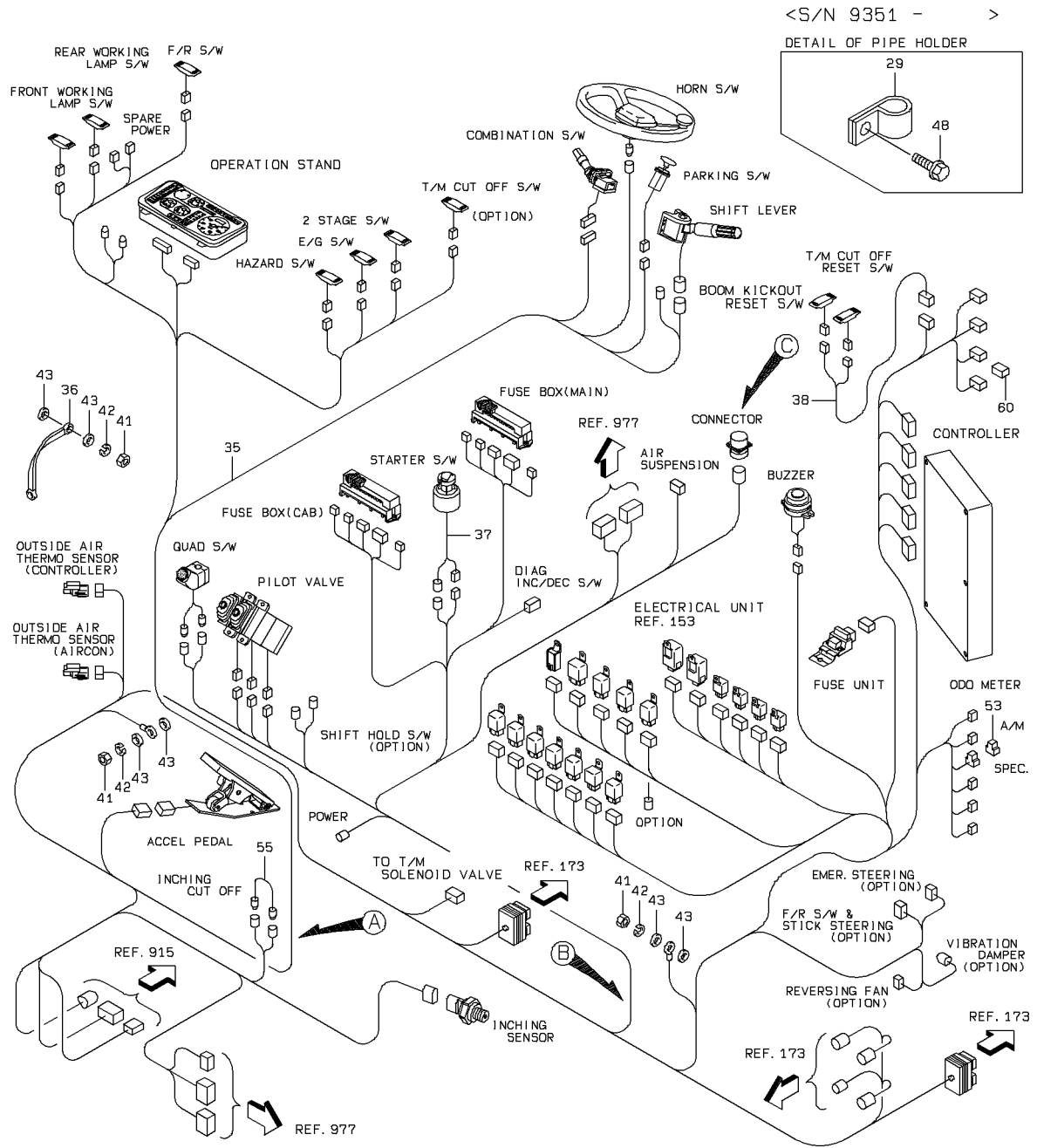


DETAIL OF DIODE

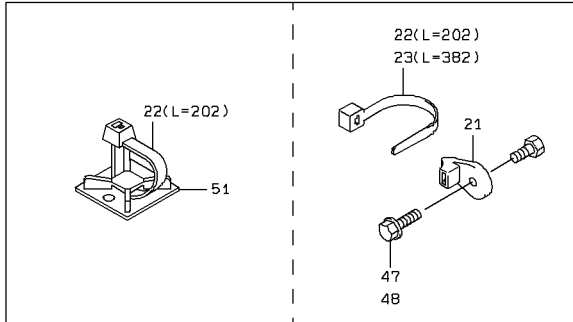


4-D

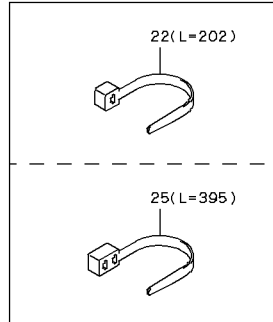
ELECTRICAL WIRING - FLOOR BOARD



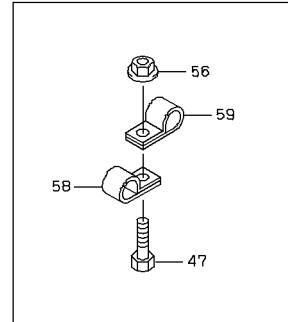
DETAIL OF STUD MOUNT



DETAIL OF CLAMP



DETAIL OF PIPE HOLDER



4-B

2ND PROPELLER SHAFT

SYM-BOL	PART NUMBER	PART NAME	UNIT Q,TY	SERIAL		REMARKS							
				(A)	(B)	N	P	D	(A)	(B)	(C)	(D)	REMARK
000A	42752-60830	PROPELLERSHAFT ASS	1	9001	-								
21A	35513-70280	SPIDER ASSY,JOURNA	3	9001	-				Y01				
22A	43900-72800	BOLT	4	9001	-								
22B	43900-70500	BOLT	4	9047	-								
23A	44612-70690	YOKE ASSY,SLEEVE	1	9001	-				Y02				
24A	42750-70810	PROPELLER SHAFT AS	1	9001	-					Y03			
41A	37713-60020	NIPPLE,GREASE	1	9001	-				01				
42A	45311-70240	RING,SNAP	2	9001	-				01				
43A	34000-70860	SEAL	1	9001	-					02			
44A	75011-25400	NIPPLE,GREASE	1	9001	-					02			
45A	41441-70390	BLOCK,PILLOW	1	9001	-						03		
46A	41657-70130	PLATE,END	1	9001	-						03		
47A	41694-70160	PLATE,LOCK	1	9001	-						03		
48A	43900-70640	BOLT	3	9001	-						03		

RADIATOR GROUP

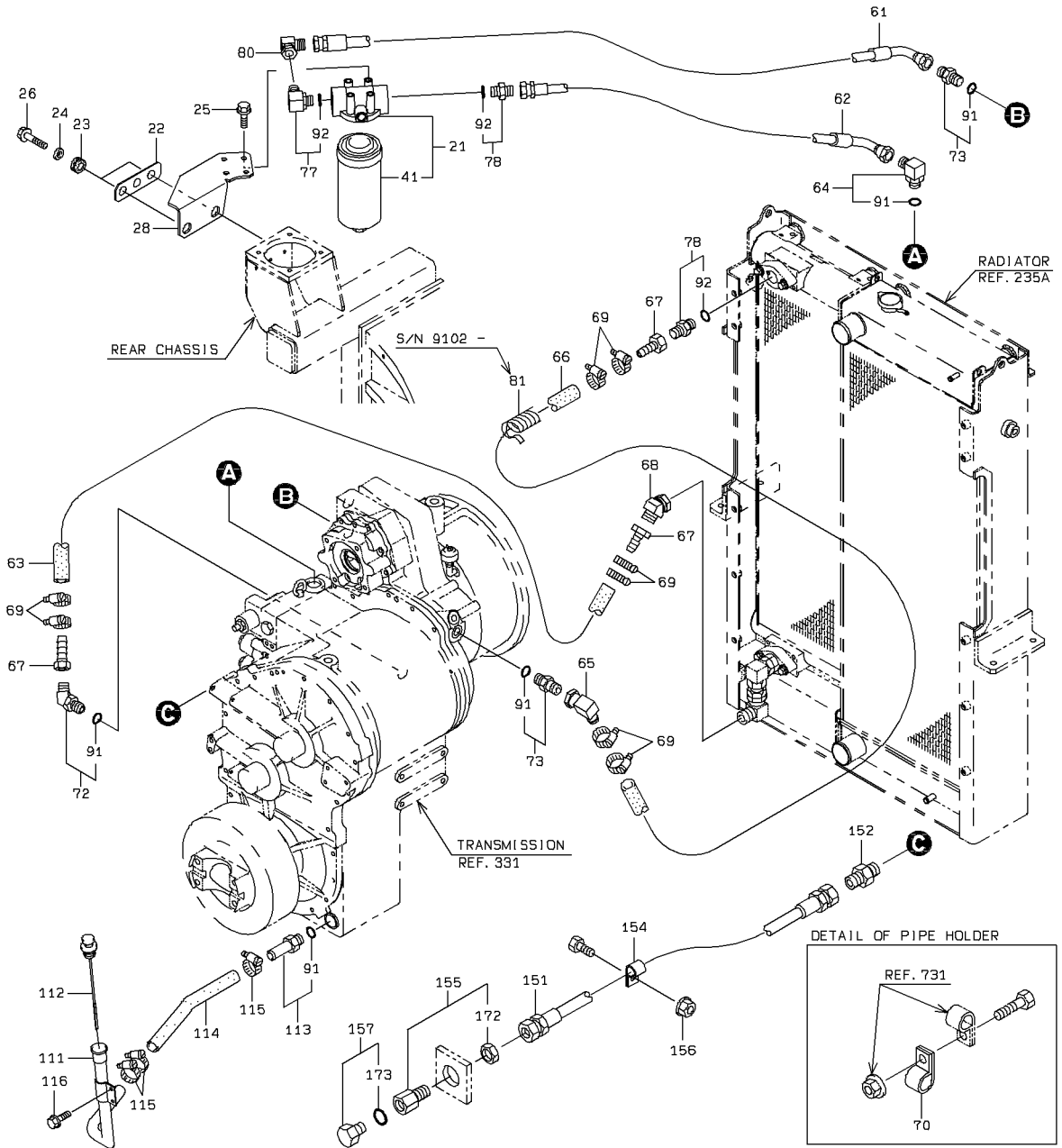
SYM-BOL	PART NUMBER	PART NAME	UNIT Q,TY	SERIAL		REMARKS						
				(A)	(B)	N	P	D	(A)	(B)	(C)	(D)
21A	32815-60180	COOLER,AIR	1	9101	-							
22A	32816-60150	COOLER,OIL	1	9101	-	9128						
22B	32816-60490	COOLER,OIL	1	9129	-		A					
23A	40902-50790	BRACKET	1	9101	-							
24A	41751-35650	PLATE	1	9101	-	9128						
24B	41752-34440	PLATE	1	9129	-		C					
25A	41751-35660	PLATE	1	9101	-							
26A	41712-29880	PLATE	1	9101	-	9128						
26B	41713-36320	PLATE	1	9129	-		C					
27A	41712-29890	PLATE	1	9101	-	9128						
27B	41713-36330	PLATE	1	9129	-		C					
28A	41712-29900	PLATE	2	9101	-							
35A	44721-64330	RADIATOR ASSY	1	9101	-	9200						REF235
35B	44721-64710	RADIATOR ASSY	1	9201	-		C					REF:235
37A	41751-35670	PLATE	2	9101	-							
38A	35681-27120	SPONGE	2	9101	-							
39A	41712-29910	PLATE	1	9101	-							
40A	33713-30970	SHEET,RUBBER	2	9101	-	9200						
40B	33713-31560	SHEET,RUBBER	2	9201	-	9222	C					
40C	33713-33100	SHEET,RUBBER	2	9261	-		C					
41A	46011-20050	WASHER,PLANE	2	9101	-							
42A	65801-50032	BUSHING,ELASTIC	2	9101	-							
43A	35681-27260	SPONGE	2	9101	-							
44A	35681-27270	SPONGE	1	9101	-							
45A	35681-27280	SPONGE	1	9101	-							
46A	35681-27290	SPONGE	2	9101	-							
47A	35681-27310	SPONGE	1	9101	-							
48A	35681-27320	SPONGE	1	9101	-							
49A	35681-27330	SPONGE	1	9101	-							
50A	88201-06716	ADAPTER	1	9101	-			Y01				
51A	30242-20160	ADAPTER,ELBOW UNIO	2	9101	-							
52A	30250-20080	ADAPTER,UNION	1	9101	-							
53A	61802-10025	BOLT,FLANGED	32	9101	-							
54A	61802-12025	BOLT,FLANGED	10	9101	-							
55A	61802-10020	BOLT,FLANGED	4	9101	-							
56A	61033-10025	BOLT	4	9101	-							
57A	61033-10016	BOLT	2	9101	-							
58A	62480-21101	NUT,FLANGED	4	9101	-							
59A	62710-18101	WASHER,PLANE	4	9101	-							
71A	65210-12029	RING,O	1	9101	-			01				

MEMO

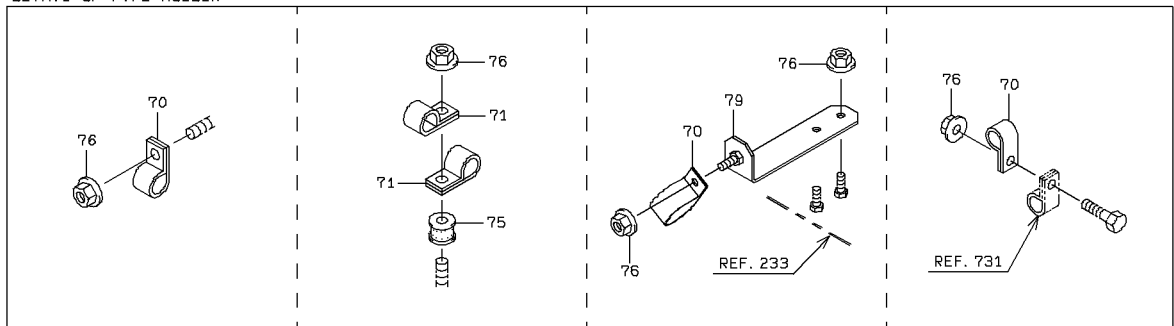
MEMO

TRANSMISSION HYDRAULIC LINE

<S/N 9101 - >



DETAIL OF PIPE HOLDER



TRANSMISSION CASE GROUP

SYM-BOL	PART NUMBER	PART NAME	UNIT Q,TY	SERIAL		REMARKS						
				(A)	(B)	N	P	D	(A)	(B)	(C)	(D)
21A	32872-20410	CLUTCH ASSY	1	101	-							REF.336
22A	31200-36650	COVER	1	101	-							
23A	31990-22370	GASKET	1	101	-							(K1)
23B	31990-27510	GASKET	1	392	-							(K1)
24A	34200-22880	SHIM	1	101	-							T=0.5
24B	34200-22880	SHIM	2	790	-							T=0.5
24C	34200-28720	SHIM	2	1077	-							T=0.5
25A	34200-22890	SHIM	2	101	-							T=0.2
25B	34200-28730	SHIM	2	1077	-							T=0.2
26A	63026-13025	PIN,STRAIGHT	2	101	-							
27A	31200-36730	COVER	1	101	-							
28A	31200-36740	COVER	1	101	-							
29A	65210-22140	RING,O	2	101	-							(K3)
30A	65210-12016	RING,O	2	101	-							(K3)
31A	61802-10035	BOLT,FLANGED	10	101	-							
32A	61802-10050	BOLT,FLANGED	13	101	-							157
32B	61802-10055	BOLT,FLANGED	13	158	-							
33A	61802-10075	BOLT,FLANGED	1	101	-							
34A	61802-10025	BOLT,FLANGED	16	101	-							
35A	32872-20430	CLUTCH ASSY	1	101	-							REF.340
37A	37900-25850	HOUSING	1	101	-							
38A	32872-20400	CLUTCH ASSY	1	101	-							REF.334
38B	32872-21630	CLUTCH ASSY	1	301	-							REF.334
39A	32872-20420	CLUTCH ASSY	1	101	-							REF.338
39B	32872-21640	CLUTCH ASSY	1	301	-							REF.338

OUTPUT SHAFT GROUP

SYM-BOL	PART NUMBER	PART NAME	UNIT Q,TY	SERIAL		REMARKS						
				(A)	(B)	N	P	D	(A)	(B)	(C)	(D)
21A	34500-23660	SHAFT	1	101	-							
22A	32400-22470	GEAR	1	101	-							
23A	44621-20590	YOKE,FLANGE	1	101	-							
24A	46000-20770	WASHER	1	101	-							
25A	32400-21450	GEAR	1	101	-							
26A	41200-60080	BRAKE ASSY	1	101	-				Y01			
27A	31990-22200	GASKET	1	101	-	391						(K1)
27B	31990-27520	GASKET	1	392	-		C					(K1)
28A	37585-20110	DRUM,BRAKE	1	101	-							
29A	78107-06313	BEARING,BALL	1	101	-							
30A	65240-31056	RING,BACK-UP	1	101	-							(K2)
31A	65084-05813	SEAL,OIL	2	101	-							(K4)
32A	44621-21310	YOKE,FLANGE	1	101	-							
33A	41615-22520	PLATE	1	101	-							
34A	65210-12056	RING,O	1	101	-							(K3)
35A	65210-22070	RING,O	1	101	-							(K3)
36A	63026-13025	PIN,STRAIGHT	1	101	-							
37A	78107-06211	BEARING,BALL	1	101	-	376						
37B	78101-06211	BEARING,BALL	1	377	-		C					
38A	63811-00052	RING,SNAP	1	101	-							
39A	63812-00075	RING,SNAP	1	101	-							
40A	63812-00100	RING,SNAP	1	101	-							
41A	37652-20030	NUT,U	1	101	-							
42A	37573-20050	DRIVE ASSY,METER	1	101	-				Y02			
43A	45600-22150	LEVER	1	101	-							
44A	41530-20880	PLUG	2	101	-							
45A	61802-10025	BOLT,FLANGED	5	101	-							
46A	61802-10060	BOLT,FLANGED	3	101	-							
47A	61802-12020	BOLT,FLANGED	8	101	-							
48A	61802-16030	BOLT,FLANGED	4	101	-							
49A	61057-10045	BOLT	1	101	-							
50A	62480-21101	NUT,FLANGED	1	101	-							
71A	44950-70280	RETAINER	1	101	-				01			
72A	34500-70190	SHAFT	1	101	-				01			
73A	46000-70650	WASHER	1	101	-				01			
74A	34715-70030	SHOE,BRAKE	2	101	-				01			
75A	30212-70020	ADJUSTOR ASSY	1	101	-				01			
76A	35600-72130	SPRING	1	101	-				01			
77A	35600-72140	SPRING	2	101	-				01			
78A	46023-70250	WASHER,SEAL	1	101	-					02		(K3)
79A	65054-05913	SEAL,OIL	2	101	-	390				02		(K4)
79B	65054-05913	SEAL,OIL	1	391	-					02		(K4)
80A	30230-21900	ADAPTER	1	101	-					02		
81A	65084-05913	SEAL,OIL	1	391	-					02		(K4)

AXLE SUPPORT GROUP

SYM-BOL	PART NUMBER	PART NAME	UNIT Q, TY	SERIAL		REMARKS						
				(A)	(B)	N	P	D	(A)	(B)	(C)	(D)
21A	41621-31290	PLATE	1	9001	-							
22A	39600-60460	PACKING	2	9001	-							
23A	39600-60470	PACKING	1	9001	-							
24A	47171-21500	RING, WEAR	2	9001	-							
25A	41100-60020	BREATHER	2	9001	-	9023						
25B	69100-20600	FLARED FITTING, ELB	2	9024	-		C					
26A	40840-60230	BUSHING	1	9001	-							
27A	40840-60270	BUSHING	1	9001	-							
28A	45200-28060	RING	1	9001	-							
29A	61005-16050	BOLT	12	9001	-							
30A	61802-10020	BOLT, FLANGED	6	9001	-							
31A	62710-18161	WASHER, PLANE	12	9001	-							
32A	33621-21700	SUPPORT, AXLE	1	9001	-							
33A	33621-21710	SUPPORT, AXLE	1	9001	-	9128						
33B	33621-22180	SUPPORT, AXLE	1	9129	-		C					
34A	41621-31320	PLATE	1	9001	-							

LIMITED SLIP DIFFERENTIAL MOUNT(OPTION)

SYM-BOL	PART NUMBER	PART NAME	UNIT Q,TY	SERIAL		REMARKS							
				(A)	(B)	N	P	D	(A)	(B)	(C)	(D)	REMARK
21A	37904-20870	HOUSING ASSY	2	9001	-								
22A	32872-60020	CLUTCH ASSY	4	9001	-	9140							
22B	32872-60060	CLUTCH ASSY	4	9141	-		C						
23A	32433-60230	GEAR,BEVEL	4	9001	-								
24A	40000-40380	PIN	8	9001	-								
25A	61005-16130	BOLT	16	9001	-								
26A	62710-18161	WASHER,PLANE	16	9001	-								

CLICK HERE TO **DOWNLOAD** THE COMPLETE MANUAL

- Thank you very much for reading the preview of the manual.
- You can download the complete manual from: www.heydownloads.com by clicking the link below



- Please note: If there is no response to CLICKING the link, please download this PDF first and then click on it.

CLICK HERE TO **DOWNLOAD** THE COMPLETE MANUAL

MEMO

UNLOADER VALVE MOUNT

SYM-BOL	PART NUMBER	PART NAME	UNIT Q,TY	SERIAL		REMARKS						
				(A)	(B)	N	P	D	(A)	(B)	(C)	(D)
21A	61802-08012	BOLT,FLANGED	4	9001	-							
41A	40850-60080	BUSHING,ELASTIC	4	9001	-							
42A	61802-10065	BOLT,FLANGED	3	9001	-							
43A	40902-42600	BRACKET	1	9001	-							
61A	38543-60170	VALVE,UNLOADER	1	9001	-							REF571
61B	38543-60290	VALVE,UNLOADER	1	9040	-		A					REF571
62A	88241-07112	ADAPTER,ELBOW	2	9001	-			Y01				
63A	88241-07106	ADAPTER,ELBOW	2	9001	-			Y02				
64A	30230-27330	ADAPTER	1	9001	-			Y02				
65A	30241-20150	ADAPTER,ELBOW	1	9001	-			Y02				
66A	40337-60370	FILTER ASSY,LINE	1	9001	-				Y03			
67A	30230-26330	ADAPTER	1	9001	-							
81A	65210-12024	RING,O	1	9001	-			01				
82A	65210-12014	RING,O	1	9001	-				02			
85A	33100-70690	CASE	1	9001	-					03		
86A	37710-70390	NIPPLE	1	9001	-					03		
87A	30981-70720	ELEMENT,FILTER	1	9001	-					03		
88A	65210-12018	RING,O	1	9001	-					03		
89A	65210-12014	RING,O	1	9001	-					03		

BRAKE VALVE

SYM-BOL	PART NUMBER	PART NAME	UNIT Q,TY	SERIAL		REMARKS								
				(A)	(B)	N	P	D	(A)	(B)	(C)	(D)	REMARK	
000A	38531-60690	VALVE ASSY,BRAKE	1	9001	- 9138									
000B	38531-60790	VALVE ASSY,BRAKE	1	9139	- 9250									
21A	38511-71500	VALVE ASSY	1	9001	- 9138									
22A	35570-71770	SPOOL	2	9001	- 9138	N	D							
23A	33930-70630	SEAT,SPRING	2	9001	- 9250									
24A	45311-70860	RING,SNAP	2	9001	- 9250									
25A	41585-70290	PLUNGER	2	9001	- 9250									
26A	35600-77730	SPRING	2	9001	- 9250									
27A	33930-71040	SEAT,SPRING	1	9001	- 9250									
29A	45311-71690	RING,SNAP	1	9001	- 9250									
30A	31053-70080	ORIFICE	2	9001	- 9250									
32A	38511-71510	VALVE ASSY	1	9001	- 9138	N	D							
33A	31200-73450	COVER	1	9001	- 9138	N	D							
35A	41615-70370	PLATE	1	9001	- 9250									
36A	45200-71380	RING	1	9001	- 9250									
37A	35570-71800	SPOOL	1	9001	- 9250									
38A	33930-71050	SEAT,SPRING	1	9001	- 9250									
39A	44950-70470	RETAINER	1	9001	- 9250									
40A	43956-71400	BOLT,SOCKET	1	9001	- 9250									
41A	35600-77810	SPRING	1	9001	- 9250									
42A	35600-77820	SPRING	1	9001	- 9250									
43A	33930-71130	SEAT,SPRING	1	9001	- 9250									
44A	43956-71390	BOLT,SOCKET	4	9001	- 9250									
45A	33920-70140	SEAT	1	9001	- 9250									
47A	40900-71960	BRACKET	1	9001	- 9250									
48A	40840-72220	BUSHING	4	9001	- 9250									
49A	43956-71380	BOLT,SOCKET	3	9001	- 9250									
50A	46013-70610	WASHER,SPRING	3	9001	- 9250									
51A	43020-70040	PEDAL	2	9001	- 9250									
52A	45800-70110	ROLLER	2	9001	- 9250									
53A	31701-70770	COLLAR	4	9001	- 9250									
54A	40000-71730	PIN	2	9001	- 9250									
55A	40000-71280	PIN	2	9001	- 9250									
56A	46011-70620	WASHER,PLANE	4	9001	- 9250									
57A	35700-72000	SPACER	3	9001	- 9250									
58A	34500-70800	SHAFT	1	9001	- 9138									
58B	34500-70900	SHAFT	1	9139	- 9250	B								
59A	31701-70780	COLLAR	2	9001	- 9250									
60A	34500-70810	SHAFT	1	9001	- 9138									
60B	34942-70040	JOINT ASSY	1	9139	- 9250	B	Y01							
61A	40000-71720	PIN	2	9001	- 9138		D							
62A	40790-70580	BOOT	1	9001	- 9138		D							
63A	45200-71580	RING	2	9001	- 9138		D							
64A	34500-70820	SHAFT	1	9001	- 9250									
65A	43900-74330	BOLT	2	9001	- 9250									
66A	46013-70350	WASHER,SPRING	2	9001	- 9250									
67A	37600-72760	NUT	2	9001	- 9250									
68A	40900-71950	BRACKET	1	9001	- 9250									
69A	35600-77770	SPRING	1	9001	- 9250									
70A	43955-70480	BOLT,STUD	2	9001	- 9250									
71A	37600-72770	NUT	2	9001	- 9250									
72A	32223-70040	COVER,PEDAL	2	9001	- 9250									
73A	40900-71970	BRACKET	1	9001	- 9250									
74A	43900-74340	BOLT	1	9001	- 9138									
74B	43900-74600	BOLT	1	9139	- 9250	B								
75A	37600-72780	NUT	1	9001	- 9250									
76A	49327-74430	SEAL KIT	1	9001	- 9250									
91A	47131-77090	RING,O	1	9001	- 9250									
92A	47131-77440	RING,O	2	9001	- 9250									
93A	34042-70330	SEAL,OIL	1	9001	- 9250									
94A	40790-70280	BOOT	1	9001	- 9250									
95A	34940-70310	JOINT	1	9139	- 9250									
96A	40790-70660	BOOT	1	9139	- 9250									
97A	45311-71730	RING,SNAP	2	9139	- 9250									
98A	40000-71810	PIN	2	9139	- 9250									
99A	45311-71740	RING,SNAP	2	9139	- 9250									

MEMO

MEMO

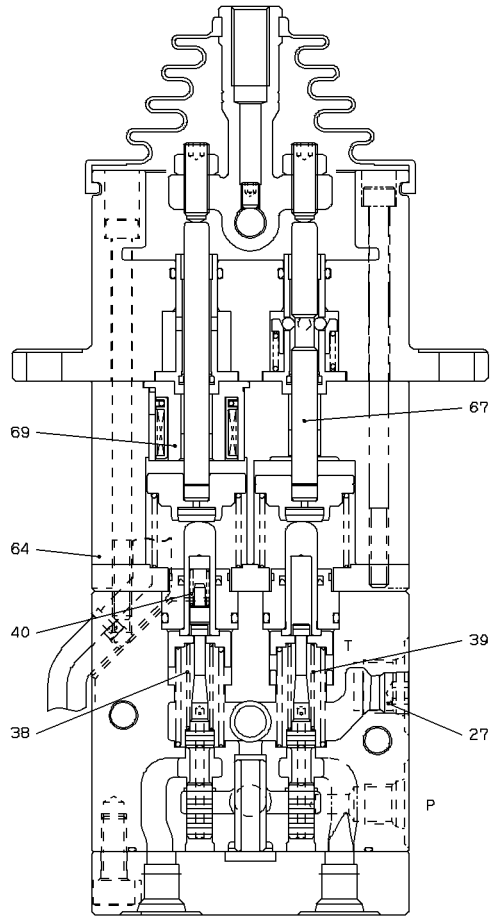
LOADING HYDRAULIC LINE - BOOM

SYM-BOL	PART NUMBER	PART NAME	UNIT Q,TY	SERIAL		REMARKS						
				(A)	(B)	N	P	D	(A)	(B)	(C)	(D)
21A	43113-24790	HOSE,HIGH PRESSURE	2	9001	-							
22A	69811-19210	FLANGE,SPLIT	12	9001	-							
23A	65220-31019	RING,O	6	9001	-							
24A	43962-20020	BOLT,U	3	9001	-							
25A	88031-06101	NUT,SELF-LOCKING	12	9001	-							
26A	68677-60148	HOSE,HIGH PRESSURE	1	9001	-							
27A	69811-25210	FLANGE,SPLIT	10	9001	-							
28A	65220-31024	RING,O	6	9001	-							
29A	43113-24210	HOSE,HIGH PRESSURE	1	9001	-	9043						
29B	43113-56930	HOSE,HIGH PRESSURE	1	9044	-		C					
30A	69811-32210	FLANGE,SPLIT	2	9001	-							
31A	43962-20030	BOLT,U	3	9001	-							
32A	65220-31027	RING,O	1	9001	-							
33A	43962-20040	BOLT,U	1	9001	-							
34A	88390-21312	PLUG	2	9001	-			Y01				
35A	32923-20070	CLAMP,HOSE	4	9001	-							
36A	38720-20390	PIPE	4	9001	-							
37A	41611-42170	PLATE	2	9001	-							
38A	61802-10030	BOLT,FLANGED	44	9001	-							
39A	62710-18101	WASHER,PLANE	16	9001	-							
40A	61802-12030	BOLT,FLANGED	4	9001	-							
41A	61802-10025	BOLT,FLANGED	4	9001	-							
42A	61802-10020	BOLT,FLANGED	4	9001	-	9020						
42B	61802-10016	BOLT,FLANGED	4	9021	-		B					
43A	61802-10080	BOLT,FLANGED	4	9001	-							
44A	38775-32560	PIPE,OIL	1	9001	-							
45A	38775-32570	PIPE,OIL	1	9001	-							
46A	43113-49590	HOSE,HIGH PRESSURE	2	9001	-							
47A	38775-32580	PIPE,OIL	1	9001	-							
48A	41750-35130	PLATE	1	9001	-	9266						
48B	41753-58480	PLATE	1	9267	-		B					
49A	41750-35150	PLATE	1	9001	-	9266						
49B	41753-58490	PLATE	1	9267	-		B					
50A	69081-23000	TUBE,SPIRAL	2 M	9267	-							L=1100XQTY 2
61A	65210-12024	RING,O	1	9001	-			01				

MEMO

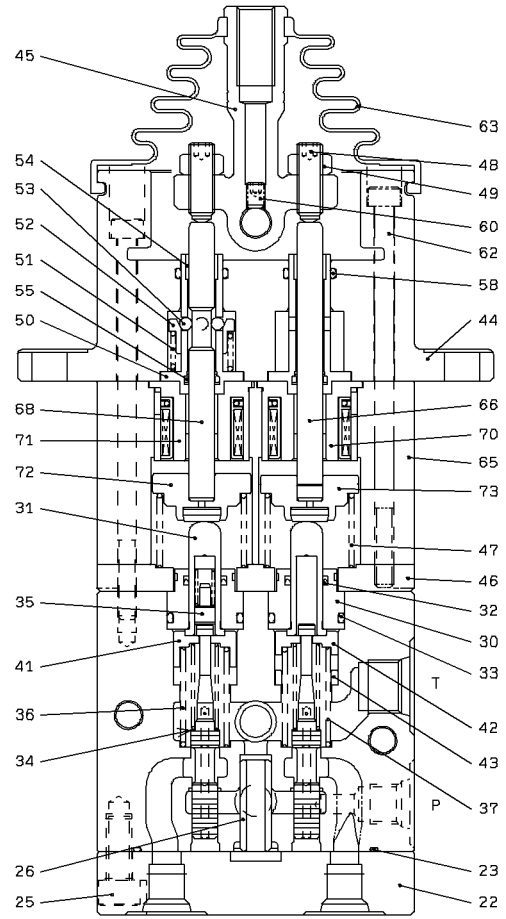
PILOT VALVE

<S/N 9001 - 9205>



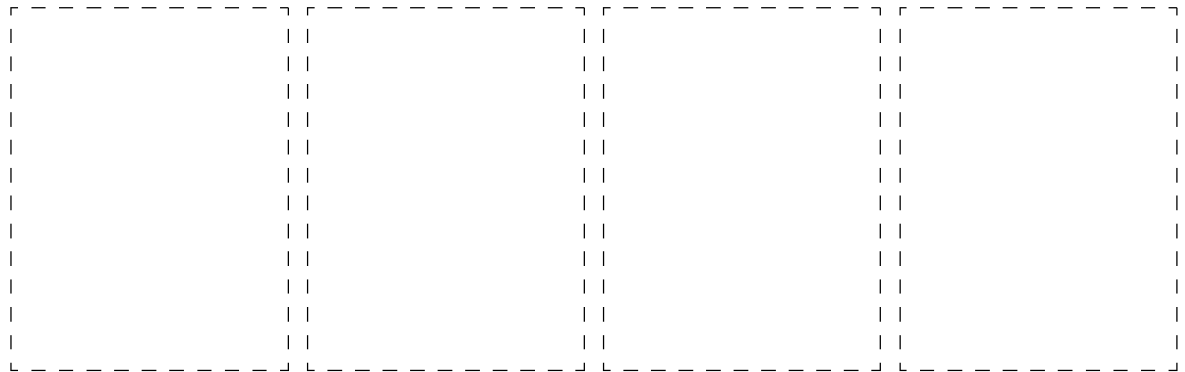
PORT 1 PORT 2

SECTION A - A



PORT 3 PORT 4

SECTION B - B



2-A

VALVE MOUNT (EFFICIENT LOADING SYSTEM)

SYM-BOL	PART NUMBER	PART NAME	UNIT Q,TY	SERIAL		REMARKS							
				(A)	(B)	N	P	D	(A)	(B)	(C)	(D)	REMARK
21A	41710-34240	PLATE	1	9001	-								
22A	40850-20060	BUSHING,ELASTIC	2	9001	-								
23A	41615-22330	PLATE	4	9001	-								
24A	88031-06121	NUT,SELF-LOCKING	2	9001	-								
25A	61802-12110	BOLT,FLANGED	2	9001	-								
26A	61802-12030	BOLT,FLANGED	3	9001	-								
41A	41410-36460	BLOCK	1	9001	-								
42A	38511-71000	VALVE ASSY	1	9001	-				Y01				
43A	35910-70260	SOLENOID	1	9001	-	9018							
43B	35910-70390	SOLENOID	1	9019	-		C						
44A	38565-71780	VALVE,RELIEF	1	9001	-					Y02			
45A	38534-70080	VALVE ASSY,CHECK	1	9001	-						Y03		
46A	35830-60100	SENSOR,PRESSURE	1	9001	-							Y04	
47A	88241-07112	ADAPTER,ELBOW	1	9001	-				Y05				
48A	88241-07212	ADAPTER,ELBOW	1	9001	-				Y05				
49A	88390-21304	PLUG	2	9001	-					Y06			
50A	30241-25430	ADAPTER,ELBOW	1	9001	-				Y05				
51A	37715-20730	NIPPLE,HOSE	1	9001	-	9025							
51B	37715-23520	NIPPLE,HOSE	1	9026	-		C						
71A	49327-72070	SEAL KIT	1	9001	-				01				
72A	49327-72900	SEAL KIT	1	9001	-					02			
73A	49327-73270	SEAL KIT	1	9001	-						03		
74A	65210-12014	RING,O	1	9001	-							04	
75A	65210-12024	RING,O	1	9001	-				05				
77A	65210-12011	RING,O	1	9001	-					06			

BUCKET (FOR LIGHT MATERIALS)

SYM-BOL	PART NUMBER	PART NAME	UNIT Q,TY	SERIAL		REMARKS						
				(A)	(B)	N	P	D	(A)	(B)	(C)	(D)
21A	38311-33450	BUCKET ASSY	1	9001	- 9013							LSN 829
21B	38311-38210	BUCKET ASSY	1	9014	- 9200	C			Y01			LSN 829
21C	38311-40560	BUCKET ASSY	1	9201	- 9218	C			Y01			LSN 829
21D	38311-41010	BUCKET ASSY	1	9219	-	C			Y01			LSN 829
41A	41603-44900	PLATE	2	9001	- 9200							WELDING
41B	41714-36110	PLATE	2	9201	-	B						T=60(WELDING)
42A	41600-20610	PLATE	2	9001	-							T=9-T=25(WELDI
43A	30930-20780	EDGE	1	9001	-				01			WELDING
44A	30938-22700	EDGE,SIDE	2	9001	-				01			WELDING
61A	39953-21040	BIT,SIDE	2	9001	-				01			WELDING
62A	41636-54510	PLATE	1	9001	-				01			WELDING
63A	41636-54520	PLATE	1	9001	-				01			WELDING
64A	41621-20320	BOSS	3	9001	-				01			WELDING

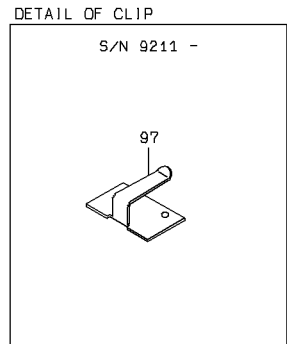
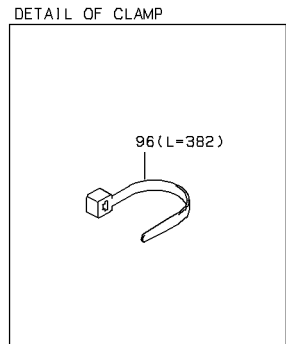
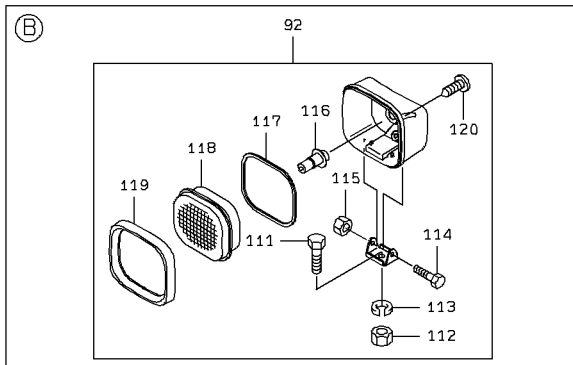
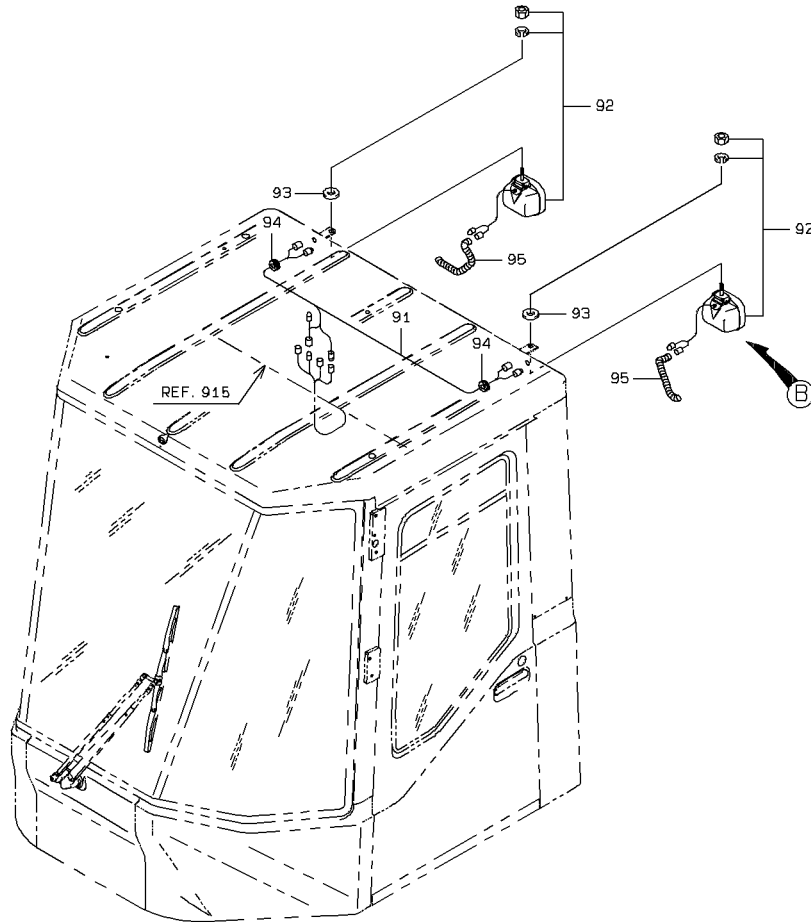
DOOR GROUP (FOR RH)

SYM-BOL	PART NUMBER	PART NAME	UNIT Q,TY	SERIAL		REMARKS						
				(A)	(B)	N	P	D	(A)	(B)	(C)	(D)
000A	37521-21540	DOOR ASSY	1	106	-							FR RH
21A	32011-60250	GLASS,WINDOW	1	106	-				Y01			
22A	32011-60260	GLASS,WINDOW	1	106	-							
23A	45460-60040	REGULATOR	1	106	-							
24A	33530-20010	SASH	1	106	-							
25A	39890-21000	HINGE	2	106	-							
26A	45433-20120	RAIL	1	106	-							
27A	39750-22310	PANEL	1	106	-					Y02		
28A	33712-20070	SHEET,CAB	1	106	-							
29A	41601-35410	PLATE	1	106	-							
30A	35440-21400	STOPPER	1	106	-							
31A	38126-60030	HANDLE,DOOR	1	106	-							
32A	38126-60010	HANDLE,DOOR	1	106	-							
33A	31140-60010	CUP	1	106	-							
34A	38120-60050	HANDLE	1	106	-							
35A	38120-20410	HANDLE	1	106	-							
36A	45850-60010	LOCK ASSY,DOOR	1	106	-						Y03	
37A	45870-23320	ROD	1	106	-							
38A	38171-30690	BAR,ROUND	1	106	-							
39A	38171-21930	BAR,ROUND	1	106	-							
40A	34800-70220	CYLINDER	1	106	-							
41A	32970-70040	CLIP	1	106	-							
42A	37810-60090	KNOB	1	106	-							
43A	33057-60030	GROMMET	1	106	-							
44A	34041-60080	STRIP, SEAL	1	106	-							
45A	34041-60180	STRIP, SEAL	1	106	-							
46A	34041-60120	STRIP, SEAL	1	106	-							
47A	34041-60140	STRIP, SEAL	1	106	-							
48A	34041-60100	STRIP, SEAL	1	106	-							
49A	61802-08016	BOLT,FLANGED	4	106	-							
50A	61802-06010	BOLT,FLANGED	4	106	-							
51A	62480-21061	NUT,FLANGED	4	106	-							
52A	62256-51610	SCREW	9	106	-							
53A	62257-51620	SCREW	3	106	-							
54A	62257-51512	SCREW	3	106	-							
55A	62261-16016	SCREW,TAPPING	8	106	-							
56A	62701-40061	WASHER,PLANE	2	106	-	547						
56B	62701-40061	WASHER,PLANE	5	548	-							
57A	62721-06100	WASHER,SPRING	11	106	-	547						
57B	62721-06100	WASHER,SPRING	8	548	-							
58A	62761-37061	WASHER,TOOTH	3	106	-							
71A	43550-20590	HOLDER	2	106	-				01			
72A	35680-33290	SPONGE	1	106	-					02		
73A	32970-20030	CLIP	9	106	-					02		
74A	43550-60040	HOLDER	2	106	-						03	
75A	43550-60060	HOLDER	1	106	-						03	

ELECTRICAL PARTS GROUP

SYM-BOL	PART NUMBER	PART NAME	UNIT Q,TY	SERIAL			REMARKS							
				(A)	-	(B)	N	P	D	(A)	(B)	(C)	(D)	REMARK
21A	35550-60070	SPEAKER	2	9001	-	9039								
21B	35550-60090	SPEAKER	2	9040	-		C							
22A	62256-51512	SCREW	8	9001	-									
23A	62701-40051	WASHER,PLANE	8	9001	-									
24A	62721-05100	WASHER,SPRING	8	9001	-									
41A	30510-60060	ANTENNA	1	9001	-	9004			Y01					
41B	30510-60220	ANTENNA	1	9005	-	9038	C			Y02				
41C	30510-60240	ANTENNA	1	9039	-		C			Y02				
42A	33190-60090	CABLE	1	9001	-	9004								
42B	33190-60130	CABLE	1	9005	-	9038	C							
42C	33190-60160	CABLE	1	9039	-		C							
43A	32970-70210	CLIP	11	9001	-									
44A	33190-60100	CABLE	1	9001	-	9038								
44B	33190-60150	CABLE	1	9039	-		C							
45A	41530-70800	PLUG	1	9001	-	9004								
45B	41530-70040	PLUG	1	9005	-	9101	C D							
61A	62257-51422	SCREW	1	9001	-	9004			01					
61B	62257-51420	SCREW	1	9005	-		B			02				
62A	62256-51425	SCREW	1	9001	-	9004			01					
62B	62256-51420	SCREW	1	9005	-		B			02				

MIRROR GROUP



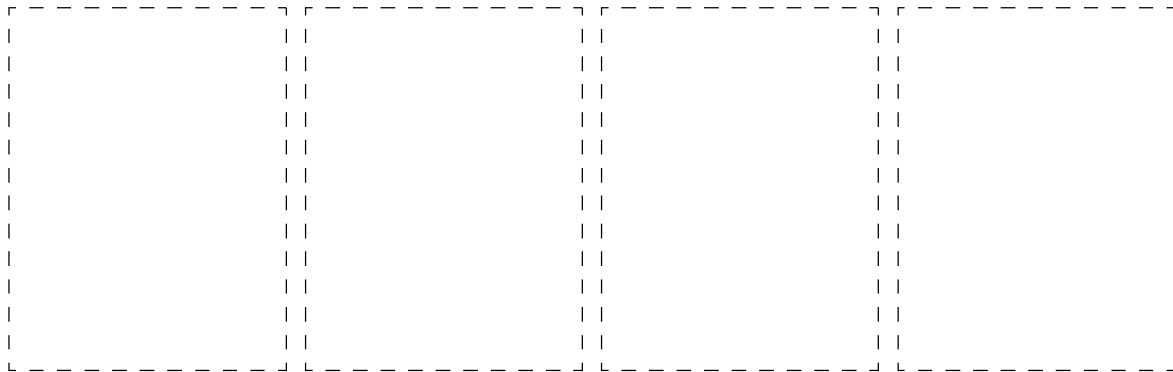
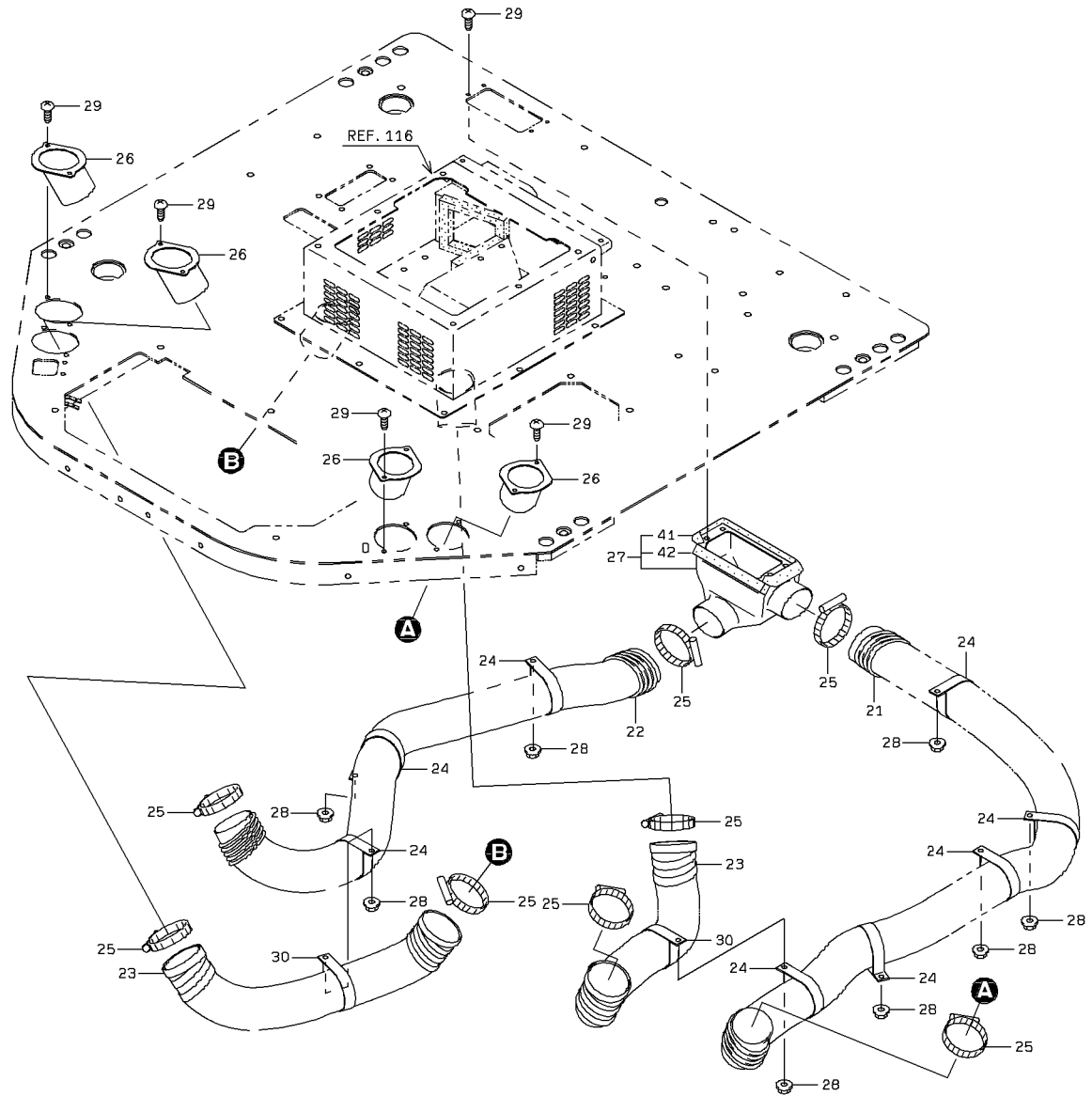
2-B

DISPLY MOUNT

SYM-BOL	PART NUMBER	PART NAME	UNIT Q,TY	SERIAL			REMARKS							
				(A)	-	(B)	N	P	D	(A)	(B)	(C)	(D)	REMARK
21A	37220-60010	DISPLAY,CHARACTER	1	9001	-	9036								
21B	37220-60020	DISPLAY,CHARACTER	1	9037	-	9100	B							
21C	37220-60030	DISPLAY,CHARACTER	1	9101	-	9108	B							
21D	37220-60040	DISPLAY,CHARACTER	1	9109	-	9140	C							
21E	37220-60050	DISPLAY,CHARACTER	1	9141	-	9200	C							
21F	37220-60060	DISPLAY,CHARACTER	1	9201	-	9272	C							
21G	37220-60070	DISPLAY,CHARACTER	1	9273	-		C							
22A	41750-59360	PLATE	1	9001	-	9039	D							
22B	41750-59360	PLATE	1	9101	-									
23A	33713-29920	SHEET,RUBBER	2	9001	-	9039								
23B	33713-29920	SHEET,RUBBER	1	9040	-	9100								
23C	33713-29920	SHEET,RUBBER	2	9101	-	9271								
23D	33713-29920	SHEET,RUBBER	1	9272	-									
24A	62257-51530	SCREW	4	9001	-	9039								
24B	35100-20280	SCREW	4	9040	-	9100	B							
24C	62257-51530	SCREW	4	9101	-		B							
25A	41751-54000	PLATE	1	9040	-	9100	D							
26A	33713-33160	SHEET,RUBBER	1	9272	-									

AIR DUCT MOUNT

<S/N 9037 - 9128>



2-B

CONDENSER & COVER MOUNT

SYM-BOL	PART NUMBER	PART NAME	UNIT Q, TY	SERIAL (A) - (B)	REMARKS					
					N	P	D	(A)	(B)	(C)
21A	36200-60020	TANK	1	9001 -						
22A	40900-60060	BRACKET	1	9001 -						
23A	38900-60050	FITTING	1	9001 -				Y01		
24A	61802-10020	BOLT, FLANGED	4	9001 -						
25A	61802-08016	BOLT, FLANGED	2	9001 -						
26A	61802-06025	BOLT, FLANGED	1	9001 -						
27A	62480-21081	NUT, FLANGED	2	9001 -						
41A	33360-60090	CONDENSER	1	9001 -						REF.975
42A	31205-56260	COVER	1	9001 -						
43A	62480-21101	NUT, FLANGED	4	9001 -						
44A	34940-70260	JOINT	1	9001 -				01		
46A	47131-73550	RING, O	1	9001 -				01		
47A	40000-71380	PIN	1	9001 -				01		

AIR DAMPER

SYM-BOL	PART NUMBER	PART NAME	UNIT Q,TY	SERIAL		REMARKS					
				(A)	(B)	N	P	D	(A)	(B)	(C)
000A	36505-60050	DAMPER ASSY	1	9001	-						
21A	33100-70710	CASE	1	9001	-						
22A	33100-70720	CASE	1	9001	-						
23A	40900-71710	BRACKET	2	9001	-						
24A	35106-70060	SCREW,TAPPING	6	9001	-						
25A	35600-74280	SPRING	3	9001	-						
26A	45600-70410	LEVER	1	9001	-						
27A	37521-70530	DOOR ASSY	1	9001	-						
28A	35100-71250	SCREW	2	9001	-						
29A	45600-70420	LEVER	1	9001	-						
30A	40840-71510	BUSHING	1	9001	-						
31A	32920-70530	CLAMP	1	9001	-						
32A	35106-70270	SCREW,TAPPING	1	9001	-						
33A	33480-70100	SERVO ASSY	1	9001	-						
34A	45600-70430	LEVER	1	9001	-						
35A	34500-70730	SHAFT	1	9001	-						
36A	35106-70100	SCREW,TAPPING	3	9001	-						
37A	39600-72710	PACKING	1	9001	-						
38A	39600-72720	PACKING	1	9001	-						

PILOT HYDRAULIC LINE (FOR SINGLE LEVER/3-WAY PIPING)

SYM-BOL	PART NUMBER	PART NAME	UNIT Q,TY	SERIAL (A) - (B)	REMARKS					
					N	P	D	(A)	(B)	(C)
21A	43113-30580	HOSE,HIGH PRESSURE	1	9001 -						
22A	43113-23870	HOSE,HIGH PRESSURE	1	9001 -						
23A	88241-07106	ADAPTER,ELBOW	2	9001 -				Y01		
24A	33057-20610	GROMMET	1	9001 -						
25A	72010-46000	HOLDER,HOSE	2	9001 -						D=46
26A	72001-11500	HOLDER,PIPE	1	9001 -						D=15
27A	68035-10046	HOSE,HIGH PRESSURE	1	9001 -						
28A	68055-10030	HOSE,HIGH PRESSURE	1	9001 -						
29A	30246-23060	ADAPTER,TEE	1	9001 -						
30A	68035-10048	HOSE,HIGH PRESSURE	1	9001 -						
31A	88241-07206	ADAPTER,ELBOW	1	9001 -				Y01		
32A	30246-22390	ADAPTER,TEE	1	9001 -						
51A	65210-12014	RING,O	1	9001 -				01		

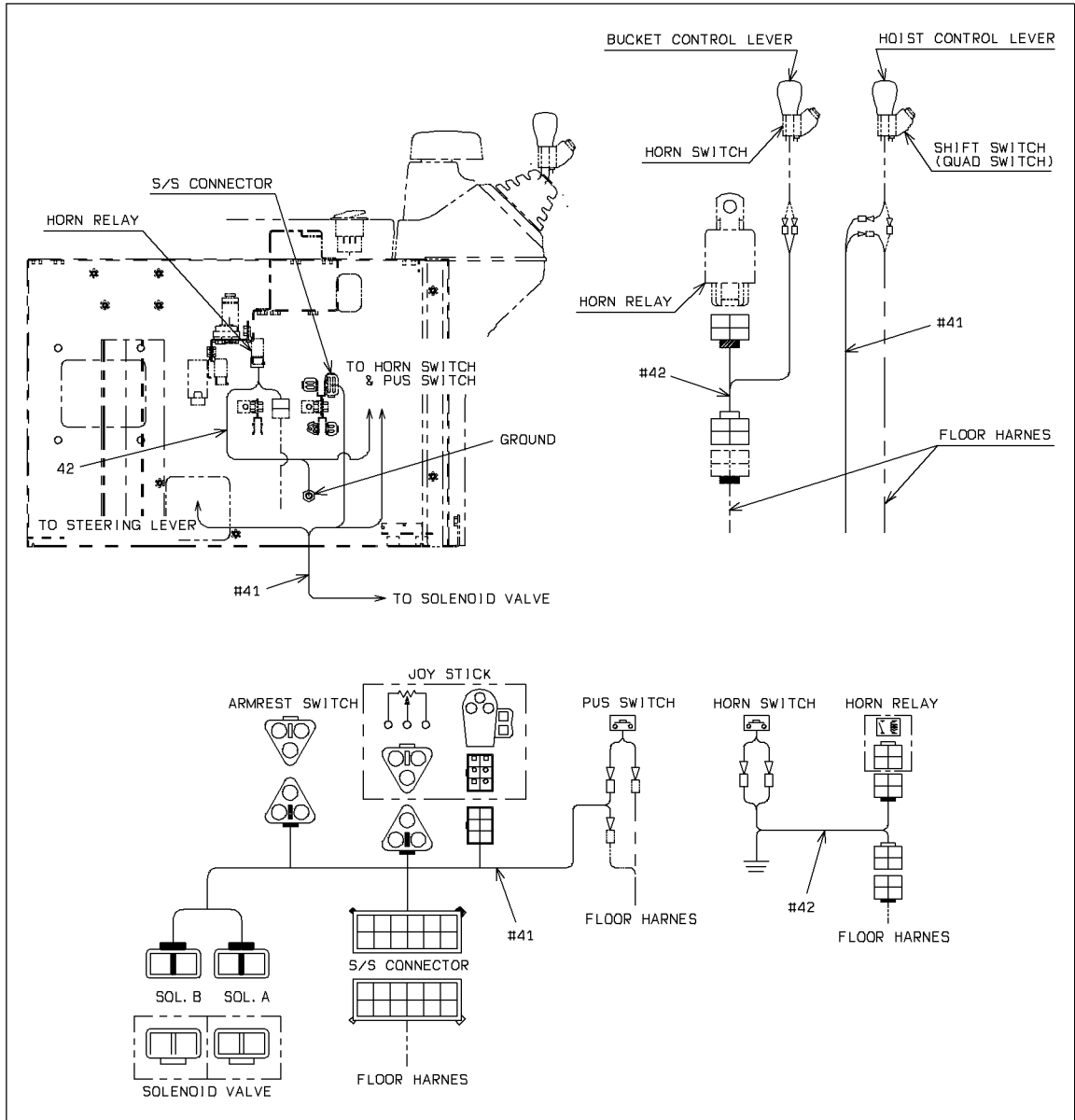
SWIVEL JOINT (FOR SINGLE LEVER/3-WAY PIPING)

SYM-BOL	PART NUMBER	PART NAME	UNIT Q,TY	SERIAL		REMARKS						
				(A)	(B)	N	P	D	(A)	(B)	(C)	(D)
000A	34947-20020	JOINT,SWIVEL	2	9001	-							
21A	34500-24890	SHAFT	1	9001	-							
22A	43890-20070	BODY	1	9001	-							
23A	45200-24950	RING	1	9001	-							
24A	45311-20610	RING,SNAP	1	9001	-							
25A	34044-20260	SEAL,DUST	2	9001	-							
26A	47131-21390	RING,O	2	9001	-							
27A	49327-73750	SEAL KIT	1	9001	-					QK1		
41A	39661-20060	PACKING,U	2	9001	-					K1		
42A	47194-20130	RING,BACK-UP	2	9001	-					K1		

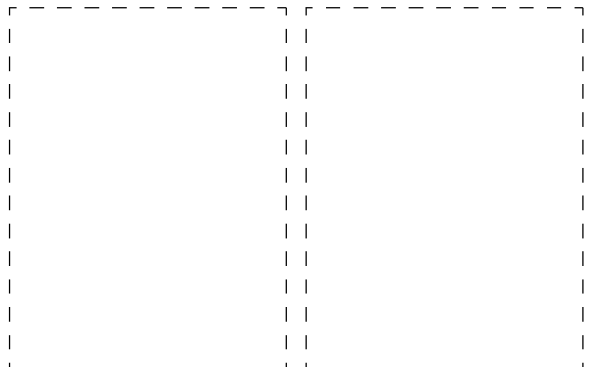
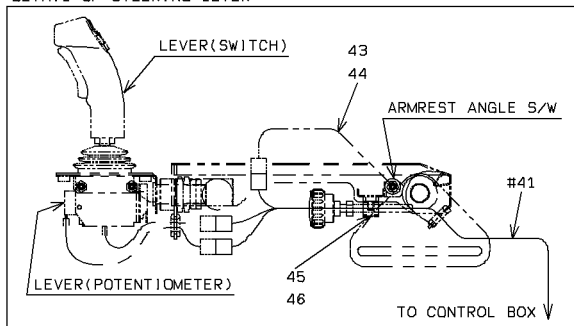
STICK STEERING - CABLE MOUNT

<S/N 9005 - 9038>

DETAIL OF CONTROL BOX



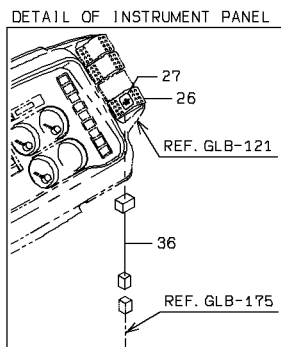
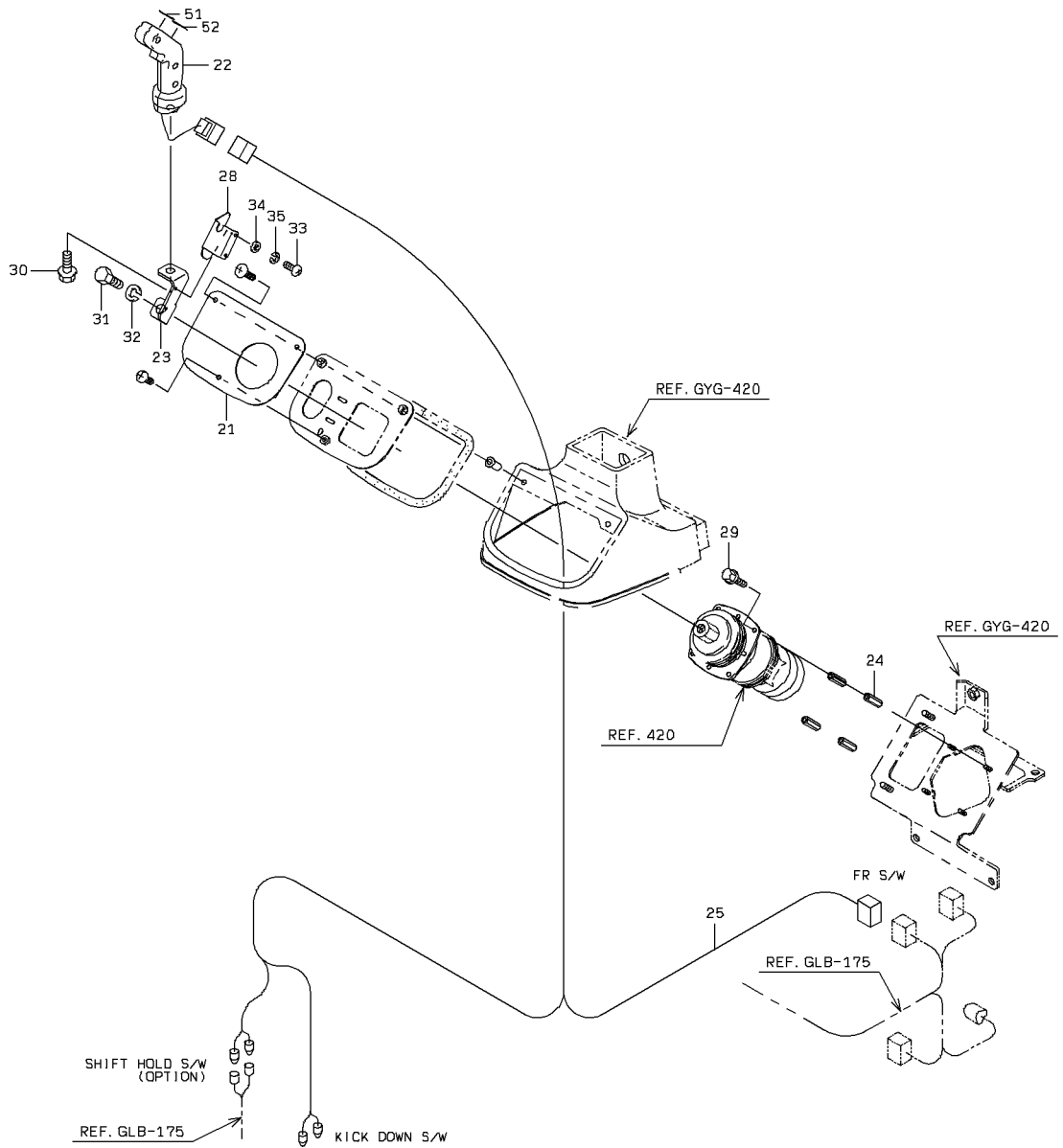
DETAIL OF STEERING LEVER



2-A

SWITCH MOUNT-FORWARD/REVERSE(FOR SINGLE CONTROL LEVER)

<S/N 9040 - 9138>



2-A

PARTS No. INDEX

PART NUMBER	PAGE-SYM	PART NUMBER	PAGE-SYM	PART NUMBER	PAGE-SYM	PART NUMBER	PAGE-SYM
31990	-22140	190- 43A	32210	-70410	474- 46A	32815	-60180
	-22160	172- 53A		-70450	111- 158A		-60180
	-22160	190- 44A		-71370	94- 82A	32816	-60150
	-22200	186- 27A		-71610	140- 22A		-60150
	-22200	190- 46A		-71960	245- 45A		-60490
	-22370	176- 23A		-72120	312- 26A	32872	-20400
	-22370	190- 48A		-72330	242- 25A		-20400
	-22390	170- 24A		-72390	466- 22A		-20410
	-22390	190- 49A		-72450	466- 21A		-20410
	-22690	170- 42A		-72470	474- 105A		-20420
	-22690	190- 51A		-72760	118- 71A		-20420
	-22770	170- 31A		-72790	142- 62A		-20430
	-22770	190- 50A	32211	-70250	163- 51A		-20430
	-23410	173- 95A		-70330	19- 90A		-21630
	-23410	190- 47A	32215	-20040	111- 156A		-21630
	-27420	170- 26B		-20040	111- 166A		-21640
	-27420	190- 41B		-20050	111- 165A		-21640
	-27450	170- 31B		-20050	111- 167A		-60020
	-27450	190- 50B		-70040	111- 159A		-60060
	-27480	170- 24B		-70050	111- 153A		-70280
	-27480	190- 49B		-70060	111- 163A	32920	-70530
	-27490	172- 53B		-70070	111- 157A		-70530
	-27490	190- 44B		-70070	111- 164A		-70530
	-27500	172- 60B		-70070	111- 169A		-70780
	-27500	190- 43B		-70150	111- 154A		-70870
	-27510	176- 23B		-70150	111- 170A	32923	-20060
	-27510	190- 48B		-70150	111- 170B		-20070
	-27520	186- 27B		-70180	266- 44A		-70090
	-27520	190- 46B	32223	-70040	236- 72A		-70090
	-28430	170- 26C		-70040	239- 69A		-70090
	-28430	190- 41C	32224	-20220	252- 76A		-70090
	-71300	86- 44A		-70110	188- 41A		-70090
	-71580	90- 41A	32266	-20620	348- 41A		-70090
	-71750	86- 54A		-20620	351- 000A		-70090
	-71750	377- 47A	32280	-70190	500- 42A		-70090
	-71750	377- 117A	32400	-21220	170- 21A		-70090
	-71760	88- 51A		-21450	186- 25A		-70090
	-71760	88- 60A		-21970	173- 92A		-70090
	-71870	140- 54A		-22360	172- 45A		-70090
32011	-21500	382- 41A		-22390	178- 22A		-70100
	-21690	382- 21A		-22390	182- 22A		-70100
	-21700	382- 22A		-22400	178- 23A		-70100
	-60240	354- 21A		-22410	180- 22A		-70100
	-60250	356- 21A		-22420	180- 23A		-70100
	-60260	354- 22A		-22430	182- 23A		-70100
	-60260	356- 22A		-22440	184- 22A		-70120
32110	-20030	172- 52A		-22470	186- 22A		-70120
	-60010	37- 25A		-22480	172- 49A		-70120
	-70170	94- 81A		-23190	192- 49A		-70120
32150	-20210	26- 35A		-23190	194- 69A		-70120
	-20390	351- 47A		-25300	178- 22B		-70120
	-20440	48- 23A		-25300	182- 22B		-70120
	-20580	351- 47B		-25340	172- 49B		-70120
	-20590	26- 35B	32420	-20100	198- 27A		-70120
	-60030	351- 46A		-20100	200- 27A		-70130
	-60050	11- 62A	32421	-20320	192- 51A		-70190
	-60050	11- 72A		-20320	194- 71A		-70190
	-60050	34- 66A	32425	-20370	192- 48A		-70190
	-60050	344- 43A		-20370	194- 68A		-70190
32151	-60100	48- 22A	32431	-20490	192- 50A		-70210
32153	-60140	40- 75A		-20490	194- 70A		-70210
	-60180	37- 72A	32433	-20370	198- 34A		-70210
	-60180	37- 80A		-20370	200- 33A	32924	-20120
32155	-70020	408- 74A		-20380	198- 33A	32925	-70020
	-70100	408- 75A		-20380	200- 32A		-70020
32210	-20310	170- 41A		-60230	206- 23A		-70070
	-70360	111- 155A	32437	-20150	172- 21A	32962	-60590
	-70360	111- 168A	32810	-70060	142- 63A	32970	-20030
	-70360	268- 51A	32813	-70150	142- 23A		-70040
						134- 21A	32970
						136- 21A	-70040
						134- 22A	-70210
						136- 22A	-70210
						136- 22B	-70210
						176- 38A	-70360
						178- 000A	-70420
						176- 21A	33057
						180- 000A	-20600
						176- 39A	-20610
						182- 000A	-20790
						176- 35A	-21070
						184- 000A	-21080
						176- 38B	-21560
						178- 000B	-21710
						176- 39B	-21710
						182- 000B	-60030
						206- 22A	-60030
						206- 22B	-60030
						420- 22A	-70750
						424- 48A	33065
						426- 31A	-60270
						428- 28A	-60270
						440- 44A	-60280
						442- 42A	-60280
						284- 66A	33070
						286- 35A	-60010
						84- 23A	-60020
						94- 122A	-60020
						102- 22A	-70100
						110- 22A	-70110
						118- 22A	33100
						278- 28A	-70300
						370- 21A	-70300
						433- 21A	-70690
						436- 24A	-70690
						484- 22A	-70710
						488- 44A	-70720
						512- 25A	-70740
						110- 23A	-70740
						118- 23A	-70870
						268- 35A	-70890
						377- 23A	-70890
						377- 96A	-70890
						401- 51A	-70900
						84- 22A	-70900
						102- 21A	-71000
						110- 21A	-71000
						118- 21A	-71000
						268- 34A	-71000
						278- 27A	-71000
						370- 23A	-71000
						401- 52A	-71000
						512- 24A	-21430
						110- 24A	-26830
						118- 51A	-29710
						370- 22A	-35750
						433- 22A	-37540
						488- 43A	-38900
						102- 42A	-38910
						110- 21A	-39260
						118- 21A	-39270
						268- 34A	-39270
						278- 27A	-39280
						370- 23A	-39300
						401- 52A	-39310
						512- 24A	-39330
						110- 24A	-40170
						118- 51A	-40550
						370- 22A	-41140
						433- 22A	-42060
						488- 43A	-42120
						102- 42A	-42640
						118- 25A	-44110
						215- 67A	-44490
						450- 32A	-44770
						317- 57A	-60090
						321- 57A	-60100
						321- 57B	-60130
						152- 21A	-60150
						356- 73A	-60160
						354- 41A	-60180
							-70610
							33191
							-46470
							98- 24A

PARTS No. INDEX

PART NUMBER	PAGE-SYM	PART NUMBER	PAGE-SYM	PART NUMBER	PAGE-SYM	PART NUMBER	PAGE-SYM
46000 -70950	420- 25A	46023 -90010	19- 85A	47131 -77190	138- 26A	49327 -71440	330- 34A
-70960	420- 26A	46033 -20120	178- 26A	-77190	138- 39A	-72070	228- 93A
-70970	420- 27A	-20120	180- 25A	-77190	510- 26A	-72070	326- 71A
-71620	466- 30A	-20120	182- 26A	-77190	510- 40A	-72080	228- 91A
-71660	466- 31A	-20120	184- 34A	-77190	510- 46A	-72080	305- 61A
-71670	474- 106A	-60040	172- 32A	-77200	138- 29A	-72530	188- 61A
-71680	474- 108A	-60060	172- 31A	-77200	510- 29A	-72530	190- 69A
-71760	454- 37A	-60070	182- 37A	-77210	510- 33A	-72900	326- 72A
-71780	317- 34A	-60080	182- 36A	-77220	510- 34A	-72920	314- 43A
-71780	321- 34A	-70150	479- 40A	-77230	138- 33A	-73270	326- 73A
-71840	142- 27A	47131 -20130	192- 73A	-77230	510- 35A	-73340	270- 35A
-71850	142- 31A	-20130	194- 93A	-77240	510- 41A	-73490	266- 45A
46011 -20050	3- 105A	-20140	192- 79A	-77250	138- 40A	-73650	310- 23A
-20050	26- 66A	-20140	194- 99A	-77250	510- 47A	-73660	310- 24A
-20050	60- 24A	-20970	192- 72A	-77310	138- 32A	-73720	272- 23A
-20050	136- 41A	-20970	194- 92A	-77320	138- 34A	-73750	456- 27A
-20150	8- 30A	-21110	170- 22A	-77400	245- 35B	-73900	275- 30A
-20150	14- 32A	-21110	190- 60A	-77410	245- 41B	-73910	275- 31A
-20150	60- 22A	-21250	264- 64A	-77440	236- 92A	-73920	275- 30B
-20150	131- 28A	-21390	456- 26A	-77440	239- 92A	-73930	275- 31B
-20170	8- 31A	-60200	192- 71A	-78010	500- 46A	-74240	466- 60A
-20180	22- 63A	-60200	194- 91A	-90010	19- 84A	-74430	236- 76A
-20180	37- 142A	-60210	192- 70A	47142 -60010	178- 40A	-74430	239- 76A
-20180	351- 92A	-60210	194- 90A	-60010	182- 41A	-74510	328- 42A
-20180	377- 93A	-70610	474- 45A	-60010	190- 56A	-74570	228- 95A
-20190	11- 64A	-70690	474- 44A	-60030	178- 41A	-74590	266- 41A
-20190	11- 74A	-71120	203- 41A	-60030	180- 36A	-74680	275- 31C
-20190	37- 32A	-73470	462- 23A	-60030	182- 42A	-90290	190- 24A
-20190	60- 90A	-73550	416- 46A	-60030	184- 37A	-90300	328- 43A
-20190	60- 90B	-73550	424- 73A	-60030	190- 57A	-90860	190- 24B
-20190	88- 30A	-73730	412- 52B	47171 -20090	198- 35A	49328 -20060	328- 62A
-20190	442- 24A	-73740	424- 71A	-20090	200- 34A	-70030	330- 54A
-20200	30- 23A	-73740	424- 72A	-20970	192- 55A	49567 -90030	190- 22A
-20330	122- 26A	-73740	424- 75A	-20970	194- 75A	49612 -70010	272- 22A
-20630	167- 24A	-73760	424- 74A	-21100	192- 56A	-70040	66- 24A
-20720	294- 23A	-73770	412- 52A	-21100	194- 76A	-70050	504- 54A
-21220	122- 25A	-73770	412- 52C	-21500	196- 24A	49620 -70140	140- 47A
-21300	32- 106A	-73780	412- 55A	-60010	198- 32A	-70170	142- 32A
-21300	37- 36A	-73780	414- 51A	-60010	200- 31A	-70210	142- 28A
-21300	260- 23A	-73790	412- 51A	-70180	328- 64A	49691 -91580	190- 000B
-21560	479- 28A	-73790	414- 52A	-70190	330- 56A	-91880	190- 000A
-21590	172- 55A	-74050	188- 85A	-70620	242- 30A	-91890	190- 000C
-21630	360- 26B	-74050	190- 95A	-70760	275- 41A	50401 -00100	81- 182A
-21650	102- 37A	-74360	491- 67A	47191 -70200	312- 22A	-00140	81- 181A
-21650	110- 49A	-74820	188- 83A	47194 -20130	456- 42A	-00140	81- 187A
-21650	110- 49B	-74820	190- 93A	-71230	312- 23A	-02140	131- 23A
-21650	110- 49C	-75370	314- 68A	-71590	275- 47A	-02140	131- 23B
-21650	118- 43A	-75370	452- 25A	-71600	275- 44A	-02460	80- 143A
-21650	268- 28A	-75450	312- 21A	47195 -70130	275- 49A	61001 -06050	86- 51A
-21650	370- 29A	-75740	19- 142A	48965 -70070	142- 22A	-06050	377- 44A
-21660	110- 59A	-75760	466- 51A	-70080	142- 26A	-06050	377- 114A
-21980	11- 104A	-76010	466- 24A	-70090	142- 30A	-08020	86- 48A
-22320	122- 55A	-76090	474- 58A	48974 -90220	190- 23A	-08020	377- 41A
-23320	440- 24A	-76100	474- 103A	48976 -60960	508- 21A	-08020	377- 111A
-23320	442- 24B	-76110	474- 88A	-60960	510- 000A	61005 -08030	172- 63A
-23720	131- 45B	-76540	152- 46A	-61030	131- 51A	-10035	22- 25A
-70380	462- 30A	-76700	454- 25A	-61030	138- 000A	-10035	172- 64A
-70620	236- 56A	-76880	275- 43A	48977 -90380	346- 25A	-10050	131- 48A
-70620	239- 56A	-76890	275- 45A	-90400	346- 26A	-10050	508- 22A
46013 -20040	172- 58A	-76900	317- 23A	-90560	346- 21A	-12040	192- 86A
-70350	236- 66A	-76960	424- 76A	-90580	346- 24A	-12095	192- 91A
-70350	239- 63A	-77080	19- 91A	48979 -70060	466- 28A	-16040	194- 106A
-70610	236- 50A	-77090	236- 91A	49110 -90300	190- 21C	-16040	198- 41A
-70610	239- 50A	-77090	239- 91A	-90340	190- 21A	-16050	196- 29A
46023 -20120	351- 50A	-77170	138- 22A	-90350	190- 21B	-16060	200- 40A
-70190	462- 22A	-77170	510- 22A	49160 -70030	504- 56A	-16130	206- 25A
-70250	186- 78A	-77170	510- 37A	49212 -70080	504- 50A	-20110	198- 76A
-70250	190- 59A	-77180	138- 24A	49290 -70210	424- 24A	-20110	200- 76A
-70280	312- 25A	-77180	510- 24A	49327 -60520	330- 33A	-24070	348- 24A

CLICK HERE TO **DOWNLOAD** THE COMPLETE MANUAL

- Thank you very much for reading the preview of the manual.
- You can download the complete manual from: www.heydownloads.com by clicking the link below



- Please note: If there is no response to CLICKING the link, please download this PDF first and then click on it.

CLICK HERE TO **DOWNLOAD** THE COMPLETE MANUAL