



4

Model 50ZIV-2

(CUMMINS B3.9-C)

<LA8>

PART No. AAAP05217-4



PART No.AAAP05217-4
(93305-00094)

February 2004

WHEEL LOADER PARTS CATALOG

Model 50ZIV-2

Powered by CUMMINS B3.9-C Engine

Serial No. 50C2-0101 ~

CLICK HERE TO **DOWNLOAD** THE COMPLETE MANUAL

- Thank you very much for reading the preview of the manual.
- You can download the complete manual from: www.heydownloads.com by clicking the link below

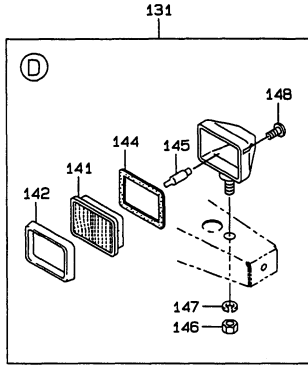
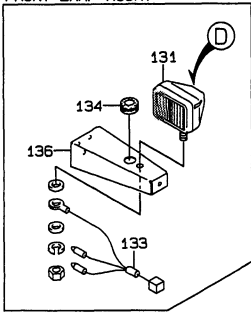


- Please note: If there is no response to CLICKING the link, please download this PDF first and then click on it.

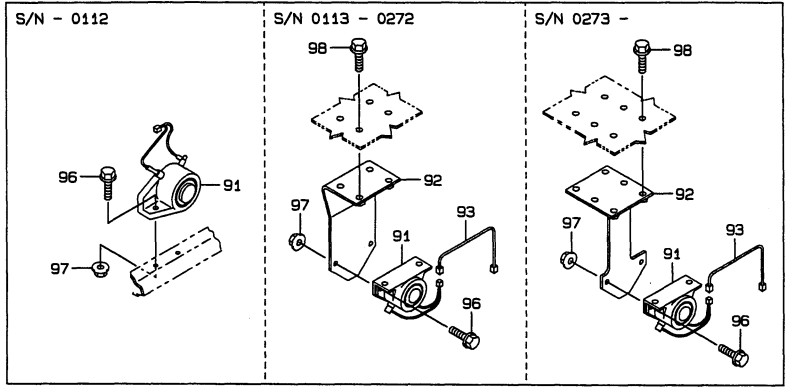
CLICK HERE TO **DOWNLOAD** THE COMPLETE MANUAL

MEMO

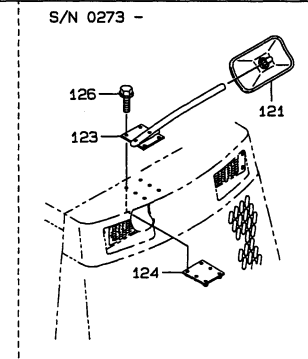
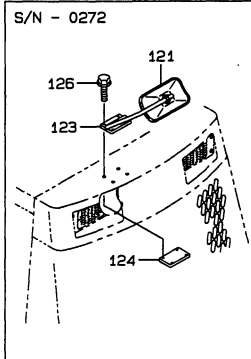
FRONT LAMP MOUNT



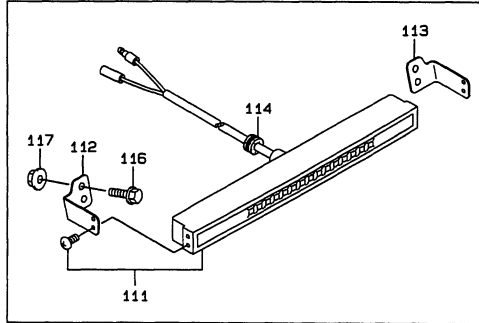
BACK BUZZER



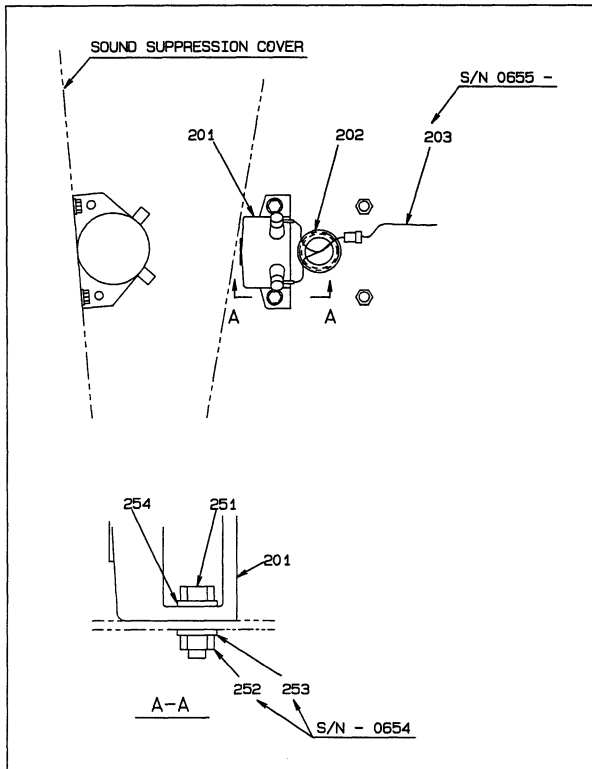
UNDER MIRROR MOUNT



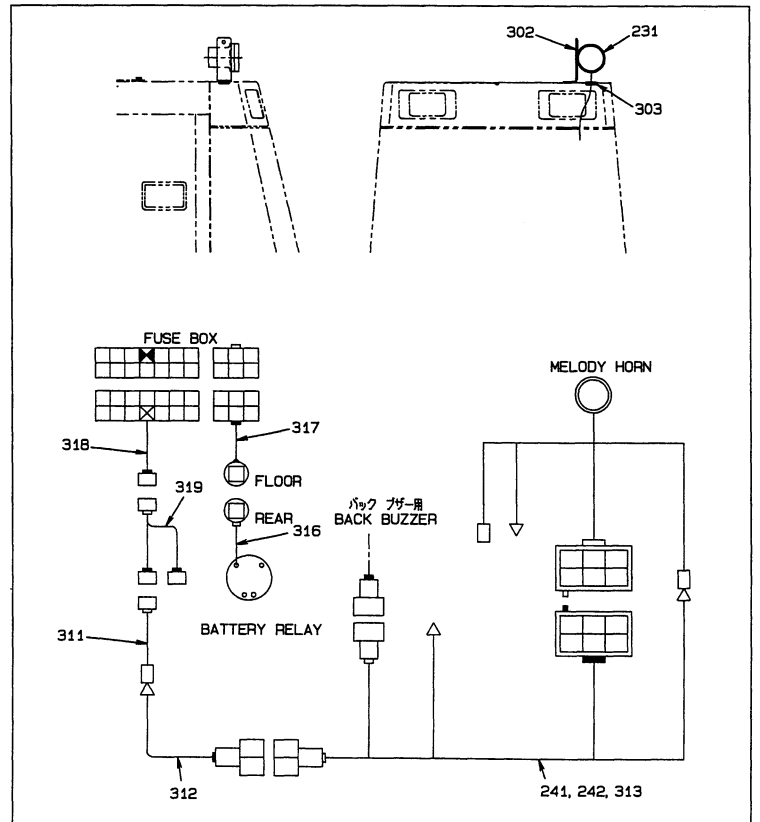
LAMP MOUNT



BUZZER MOUNT (SOUND SUPPRESSION SPEC.)



BUZZER MOUNT



CLICK HERE TO **DOWNLOAD** THE COMPLETE MANUAL

- Thank you very much for reading the preview of the manual.
- You can download the complete manual from: www.heydownloads.com by clicking the link below



- Please note: If there is no response to CLICKING the link, please download this PDF first and then click on it.

CLICK HERE TO **DOWNLOAD** THE COMPLETE MANUAL

ACCESSORIES, BUCKET, ETC.

LA8 - 802	Marking group	802-1
LA8 - 803	Grease piping	803-1
LA8 - 811	Lock group	811-1
LA8 - 820	4way flasher group(option)	820-1
LA8 - 831	Guard mount(for chassis)(option)	831-1
LA8 - 860	Front chassis group(high lift spec.)(option)	860-1
LA8 - 863	Tilt cylinder(high lift spec.)(option)	863-1
LA8 - 871	Bucket(for general purpose)	871-1
LA8 - 880	Chassis hydraulic line (for 3-way piping)(option)	880-1
LA8 - 884	Valve control group (for 3-way piping)(option)	884-1
LA8 - 884K	Valve control group (twin lever & 3-way piping) (option)	884K-1
LA8 - 888	Control valve (for 3-way piping)(option)	888-1
LA8 - 895	Repair & maintenance parts	895-1

CLICK HERE TO **DOWNLOAD** THE COMPLETE MANUAL

- Thank you very much for reading the preview of the manual.
- You can download the complete manual from: www.heydownloads.com by clicking the link below



- Please note: If there is no response to CLICKING the link, please download this PDF first and then click on it.

CLICK HERE TO **DOWNLOAD** THE COMPLETE MANUAL