

93317-00032

December 2005

PARTS CATALOG

WHEEL LOADER

135Z V

Powered by CUMMINS QST30-C Engine

Serial No. 13C1-0201 ~

CLICK HERE TO **DOWNLOAD** THE COMPLETE MANUAL

- Thank you very much for reading the preview of the manual.
- You can download the complete manual from: www.heydownloads.com by clicking the link below



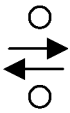
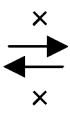
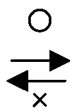
- Please note: If there is no response to CLICKING the link, please download this PDF first and then click on it.

CLICK HERE TO **DOWNLOAD** THE COMPLETE MANUAL

- ⑦ SERIAL(A) • SERIAL(B) (applicable chassis Nos.)
 SERIAL(A) : Indicates the application start chassis No.
 SERIAL(B) : Indicates the application end chassis No.
 However, the torque converter, the transmission and the cab are different from the chassis No. (The serial number shown is for the component – not the machine or chassis.)

- ⑧ REMARKS: [N] (not for sale)
 Parts not for sale are indicated as “N”.

- ⑨ REMARKS: [P] (parts compatibility)
 The parts compatibility is indicated in symbols, A, B and C having the following meanings:

[A] A new part and an old part are completely interchangeable with each other.	New		Old
[B] A new part and an old part are not interchangeable with each other.	New		Old
[C] A new part is an alternative of an old part. In this case, an old part is not interchangeable with a new part.	New		Old

- ⑩ REMARKS: [D]
 [D] Indicates that the part is deleted.
 [H] Indicates that production or supply of the part is stopped.
 An alternative is shown just below.

- ⑪ REMARKS: [(A)], [(B)], [(C)], [(D)]
 Symbols indicated in this column have the following meanings.

(1) Assembly parts

- (a) 01 - : Indicates parts which make up the assembly parts.
 (b) Y01 - : Indicates assembly parts which is made up of the parts K1, K2-K9.
 [Example 1] (Refer to the list in the previous page.)

The part 1A 34256-20050 front chassis has Y01 in the Remarks column, it means that the Front chassis includes the parts with 01[41A and 42A] in the Remarks column.

(2) Kit parts

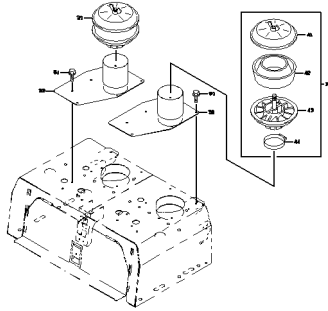
- (a) K1 - : Indicates parts which make up the kit.
 (b) QK1 - : Indicates a kit which is made up of parts K1 -, K2 -.

(3) Parts which has a interchangeability when replace with the other related parts.

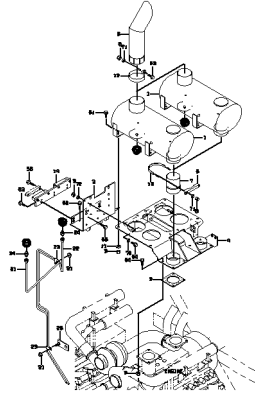
- (a) A1 - : Indicates parts which need to make a interchangeability.
 (b) WA1~ : Indicates parts which have a interchangeability when replace with A1 parts.
 [Example 2] (Refer to the list in the previous page.)

The part 3B 44344-70020 [WA1] can replace the old part 3A 44340-70210 only if the plate 4B 41605-41290 [A1] is also replaced together.

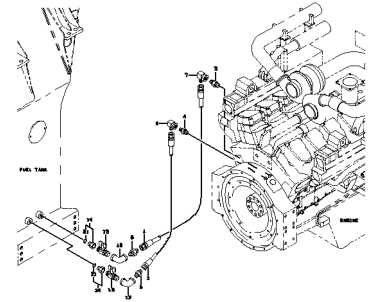
AIR CLEANER GROUP
.....p.110



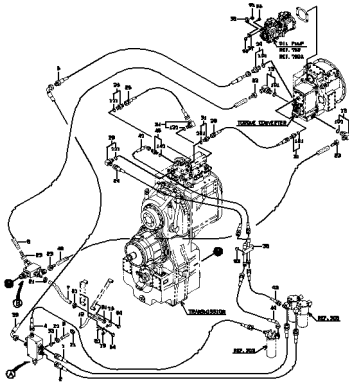
EXHAUST GROUP
.....p.113



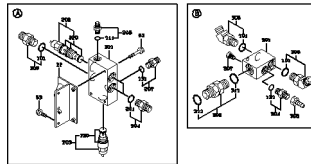
FUEL LINE
.....p.115



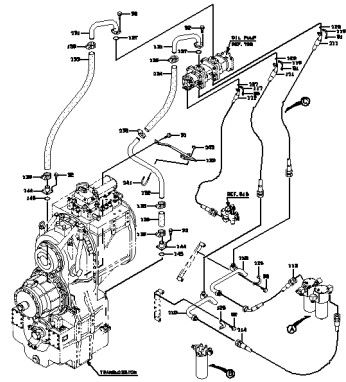
**TRANSMISSION
HYDRAULIC LINE**
.....p.117



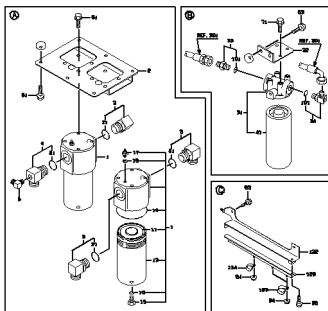
**TRANSMISSION
HYDRAULIC LINE**
.....p.118



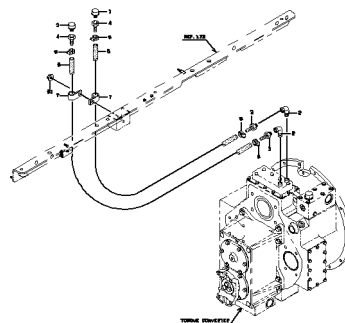
**TRANSMISSION
HYDRAULIC LINE (FOR
SUCTION)**
.....p.121



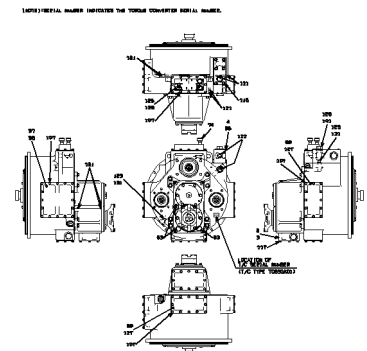
**TRANSMISSION
HYDRAULIC LINE (FOR
SUCTION)**
.....p.122



**AIR BREATHER MOUNT
(FOR TRANSMISSION)**
.....p.125

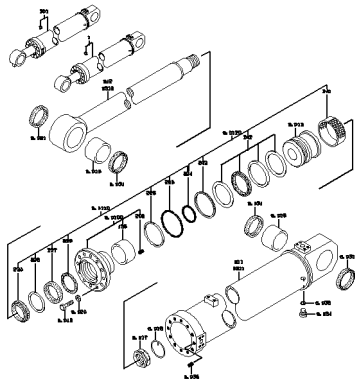


TORQUE CONVERTER
.....p.127



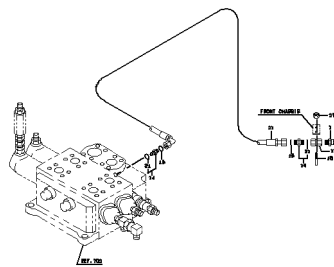
TILT CYLINDER

.....p.297



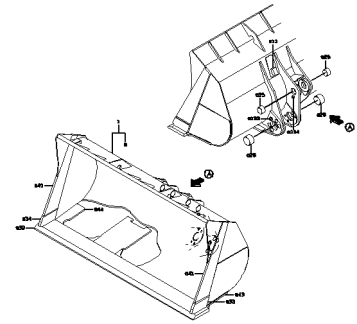
FITTING MOUNT

.....p.299



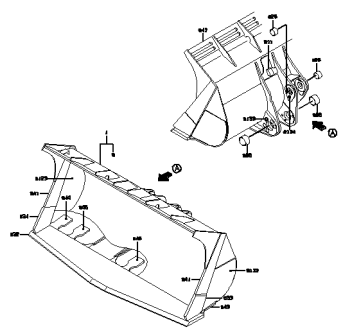
BUCKET(FOR GENERAL PURPOSE)

.....p.301



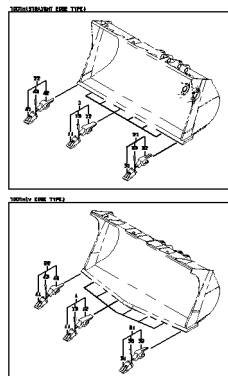
BUCKET(FOR ROCK-RV)

.....p.303



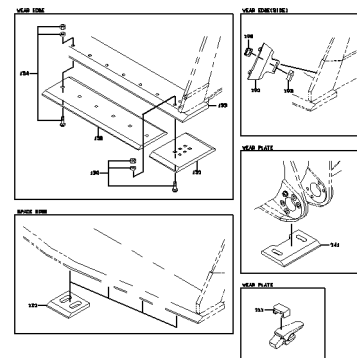
BUCKET OPTION PARTS

.....p.305



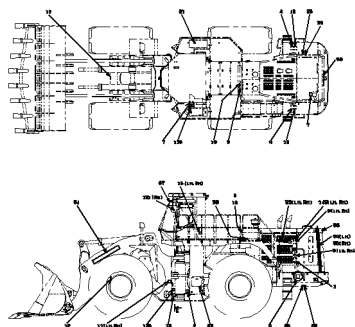
BUCKET OPTION PARTS

.....p.306



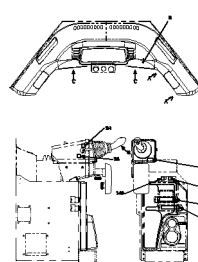
MARKING GROUP

.....p.309



MARKING GROUP

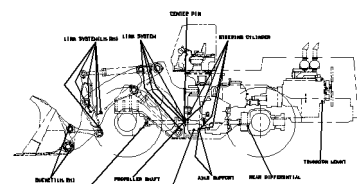
.....p.310



GROUP	ITEM	DESCRIPTION
300	1	WARNING LABEL (TOP WARNINGS)
	2	WARNING LABEL (TOP OIL)
	3	WARNING LABEL (TOP OIL)
	4	WARNING LABEL (TOP OIL)
	5	WARNING LABEL (TOP OIL)
	6	WARNING LABEL (TOP OIL)
	7	WARNING LABEL (TOP OIL)
301	11	CAUTION LABEL (STOPPER)
	12	CAUTION LABEL (STOPPER)
	13	CAUTION LABEL (STOPPER)
	14	CAUTION LABEL (STOPPER)
	15	CAUTION LABEL (STOPPER)
	16	CAUTION LABEL (STOPPER)
	17	CAUTION LABEL (STOPPER)
302	18	CAUTION LABEL (STOPPER)
	19	CAUTION LABEL (STOPPER)
	20	CAUTION LABEL (STOPPER)
	21	CAUTION LABEL (STOPPER)
	22	CAUTION LABEL (STOPPER)
	23	CAUTION LABEL (STOPPER)
	24	CAUTION LABEL (STOPPER)
303	25	CAUTION LABEL (STOPPER)
	26	CAUTION LABEL (STOPPER)
	27	CAUTION LABEL (STOPPER)
	28	CAUTION LABEL (STOPPER)
	29	CAUTION LABEL (STOPPER)
	30	CAUTION LABEL (STOPPER)
	31	CAUTION LABEL (STOPPER)
304	32	CAUTION LABEL (STOPPER)
	33	CAUTION LABEL (STOPPER)
	34	CAUTION LABEL (STOPPER)
	35	CAUTION LABEL (STOPPER)
	36	CAUTION LABEL (STOPPER)
	37	CAUTION LABEL (STOPPER)
	38	CAUTION LABEL (STOPPER)

CAP MOUNT

.....p.313



PARTS NAME INDEX

	PART NAME	PAGE		PART NAME	PAGE
S	STATOR	129	Y	YOKE ASSY,SLEEVE	96
	STAY	340,376		YOKE,FLANGE	129,136,138,184,186
	STEP	29			
	STEP ASSY	29			
	STOPPER	228,267,271,275,279,286 ...			
	STRIP, SEAL	8,32,34,40,62,78,101 ...			
	SUPPORT ASSY	263,340			
	SUPPORT,AXLE	182			
	SUSPENSION ASSY	48,50			
	SWITCH	71,76,168,172,176,180 ...			
	SWITCH ASSY	228			
	SWITCH ASSY,STARTE	76			
	SWITCH,BATTERY	71			
	SWITCH,COMBINATION	76			
	SWITCH,PRESSURE	152,204,207,364,366			
	SWITCH,PROXIMITY	224,226,398			
	SWITCH,PUSH-PULL	76			
SWITCH,TEMPERATURE	58,168,172,176,180				
SWITCH,WIPER	342				
T	TACHOMETER	76			
	TANK	104,360			
	TANK ASSY,OIL	14			
	TANK,FUEL	12			
	TANK,OIL	14			
	TERMINAL	83,87,228,288,372,374			
	TIRE ASSY,TUBELESS	188			
	TOOTH	307			
	TOOTH ASSY	307			
	TOOTH ASSY,CORNER	307			
	TORQUE CONVERTER	90,129			
	TRANSMISSION ASSY	90,133			
	TUBE	14,138,364,366			
	TUBE FITTING,ELBOW	202			
	TUBE KIT	364,366			
	TUBE,CONDUIT	334			
	TUBE,CYLINDER	160,222,296,298,382			
	TUBE,NYLON	202			
	TUBE,SPIRAL	78,82,358,384			
TUBE,VINYL	19,104,330,336				
V	VALVE	12,50,116,152,234,260 ...			
	VALVE ASSY	14,150,158,207,258,364 ...			
	VALVE ASSY,BRAKE	204,210,212			
	VALVE ASSY,BREATHE	14			
	VALVE ASSY,CHECK	150,156,394			
	VALVE ASSY,CONTROL	150,152			
	VALVE ASSY,MULTIPL	237,286			
	VALVE ASSY,SOLENOI	152,154			
	VALVE ASSY,STEERIN	220,250			
	VALVE KIT	275			
	VALVE,CHECK	130,156,192,207,237,247 ...			
	VALVE,PILOT	214,228,232,234,288,294			
	VALVE,PRIORITY	119			
	VALVE,REDUCING	158,207,394			
	VALVE,RELIEF	14,119,158,220,252,286			
	VALVE,SOLENOID	154,158			
	VALVE,UNLOADER	200,214,252			
	VALVE,VACUATOR	111			
	VISOR,SUN	323			
	W	WASHER	19,104,130,143,144,184 ...		
WASHER,CONICAL SPR		229,234			
WASHER,LOCK		364,366			
WASHER,PLANE		2,6,8,10,12,19,25,29,32 ...			
WASHER,SEAL		14,58,123,130,138,162 ...			
WASHER,SPRING		8,12,19,25,58,62,67,71 ...			
WASHER,TOOTH		323,327,364,366			
WEIGHT		8			
WHEEL,DISC		188			
WINDOW WASHER ASSY		336			
WIRE		237			

CENTER PIN GROUP

SYM-BOL	PART NUMBER	PART NAME	UNIT Q,TY	SERIAL		REMARKS						
				(A)	(B)	N	P	D	(A)	(B)	(C)	(D)
1A	40034-20860	PIN,CENTER	1	201	-							FR UPPER
2A	40840-24480	BUSHING	1	201	-							
3A	31210-21590	COVER	1	201	-							
4A	35750-23480	SLEEVE	1	201	-							
5A	40034-20870	PIN,CENTER	1	201	-							FR LOWER
6A	44960-20340	RETAINER,BEARING	2	201	-							
7A	42004-60210	BEARING,TAPER ROLL	1	201	-							
8A	42017-60120	BEARING,SPHERICAL	1	201	-							
11A	65051-03213	SEAL,DUST	2	201	-							
12A	65051-02610	SEAL,DUST	2	201	-							
13A	43900-23580	BOLT	6	201	-							
14A	46011-20170	WASHER,PLANE	1	201	-							
15A	41621-27820	PLATE	1	201	-							
16A	75011-45400	NIPPLE,GREASE	1	201	-							
21A	34200-25020	SHIM	A/R	201	-							T=0.1
22A	34200-25030	SHIM	A/R	201	-							T=0.2
23A	34200-25040	SHIM	A/R	201	-							T=0.3
24A	34200-25050	SHIM	A/R	201	-							T=0.5
25A	34200-25060	SHIM	A/R	201	-							T=1.0
51A	61802-24060	BOLT,FLANGED	12	201	-							
52A	61802-20032	BOLT,FLANGED	1	201	-							
61A	62710-18241	WASHER,PLANE	6	201	-							

MEMO

MEMO

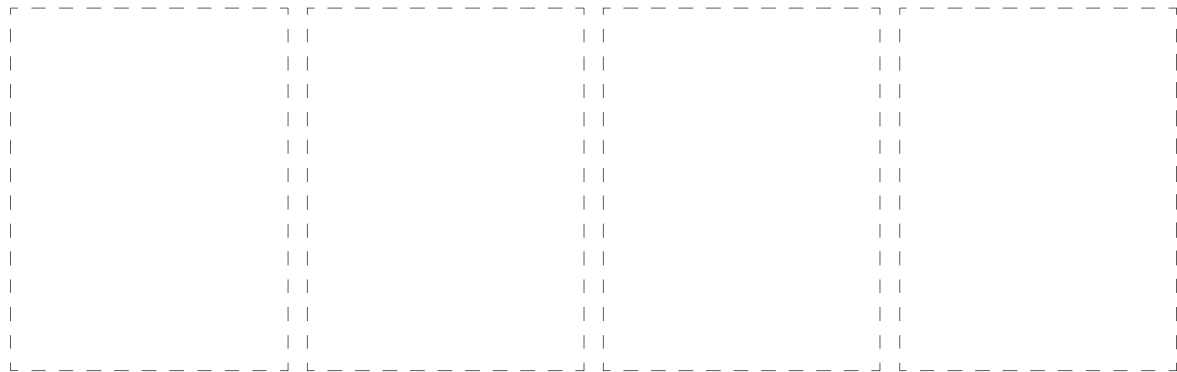
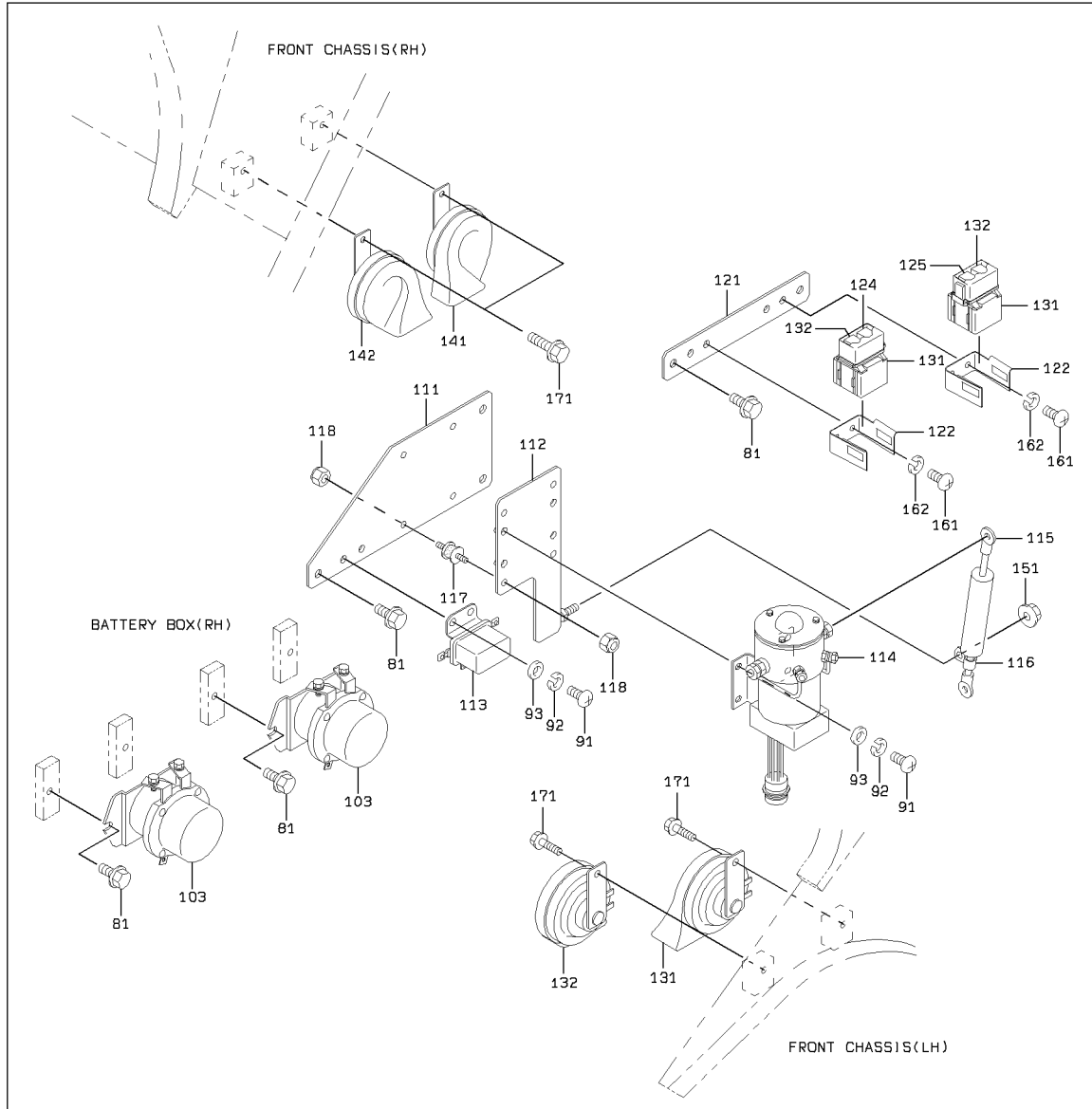
WIND SHIELD GROUP

SYM-BOL	PART NUMBER	PART NAME	UNIT Q,TY	SERIAL		REMARKS						
				(A)	(B)	N	P	D	(A)	(B)	(C)	(D)
1A	40901-59840	BRACKET	1	201	-							
2A	41636-50030	PLATE	1	201	-							FR RH
3A	41636-50040	PLATE	1	201	-							FR LH
4A	34041-22710	STRIP, SEAL	2	201	-							L=250
5A	34041-22720	STRIP, SEAL	2	201	-							L=430
6A	34041-22730	STRIP, SEAL	2	201	-							L=1000
7A	34041-22690	STRIP, SEAL	1	201	-							L=1620
8A	34041-23210	STRIP, SEAL	2	201	-							L=800
9A	34041-21760	STRIP, SEAL	2	201	-							
51A	61802-10020	BOLT,FLANGED	10	201	-							

ELECTRICAL PARTS MOUNT

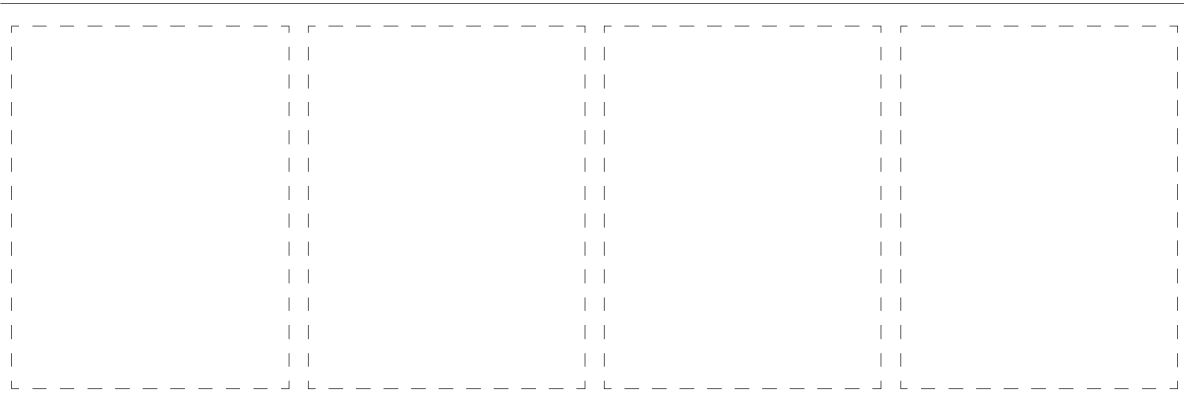
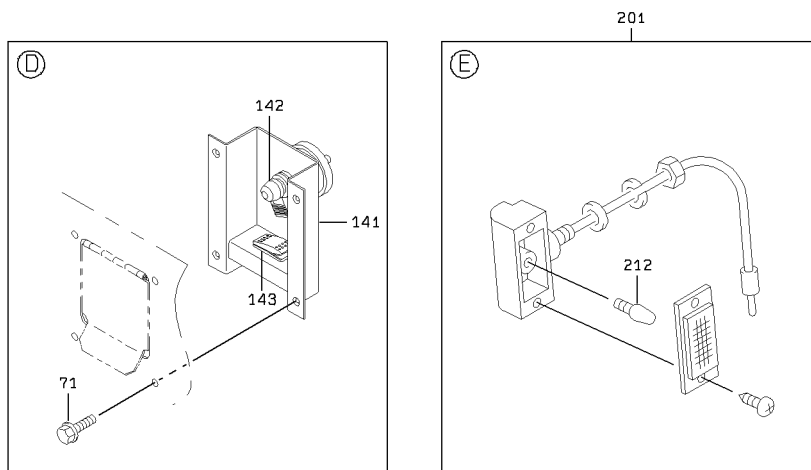
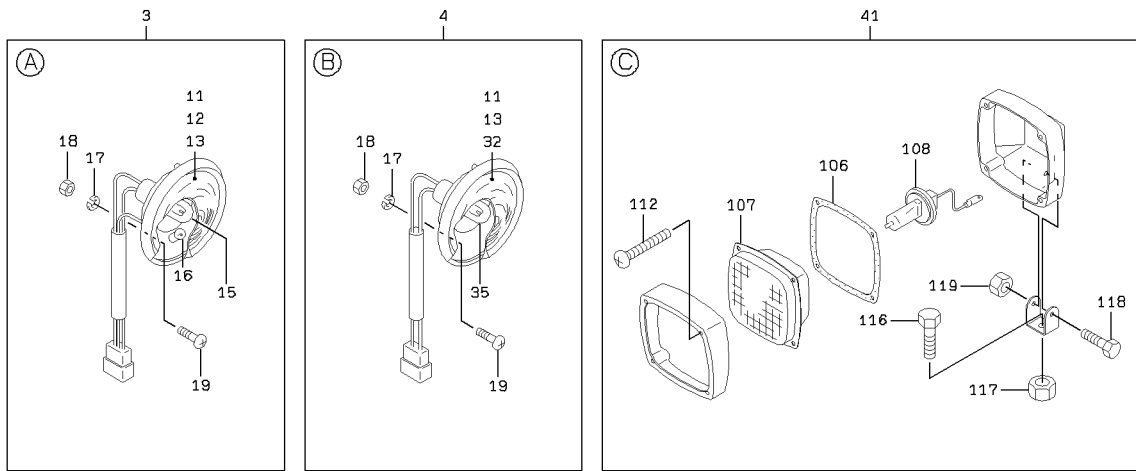
<S/N 0201 - 0204>

RELAY UNIT MOUNT



2-B

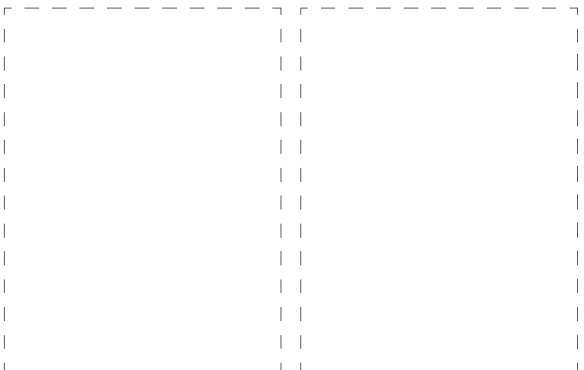
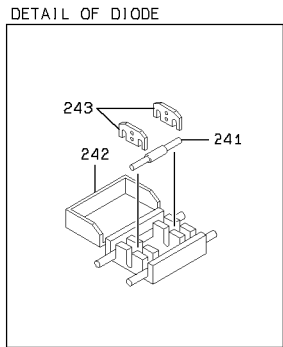
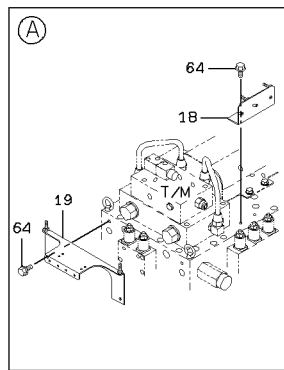
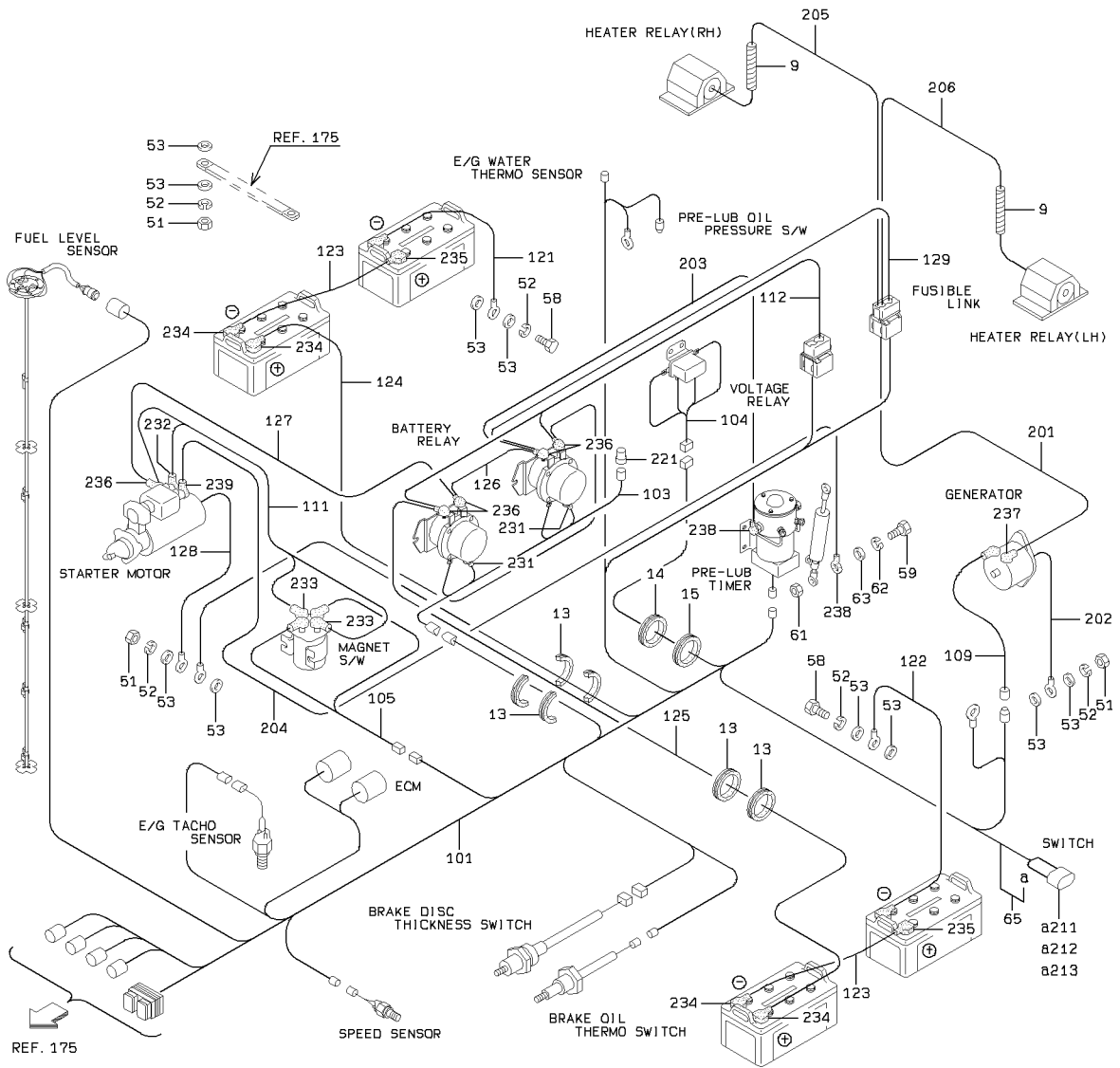
REAR LAMP MOUNT



2-A

ELECTRICAL WIRING - REAR CHASSIS

<S/N 0201 - 0204>

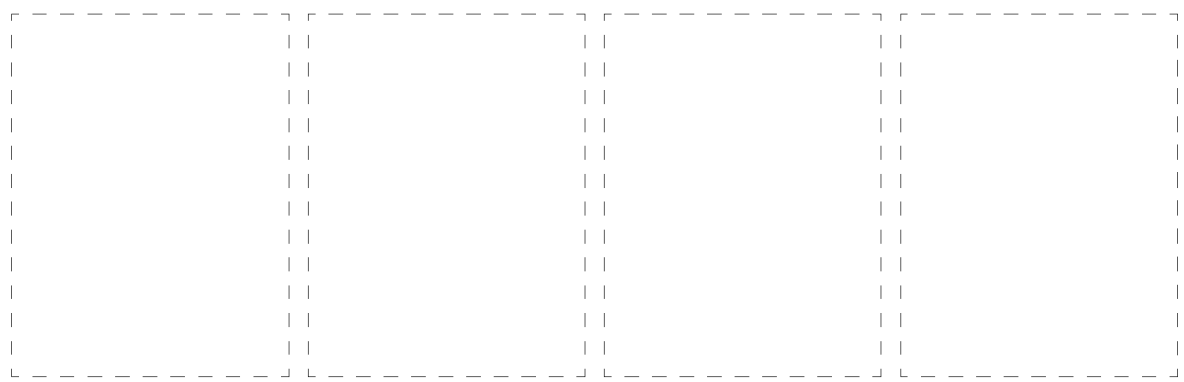
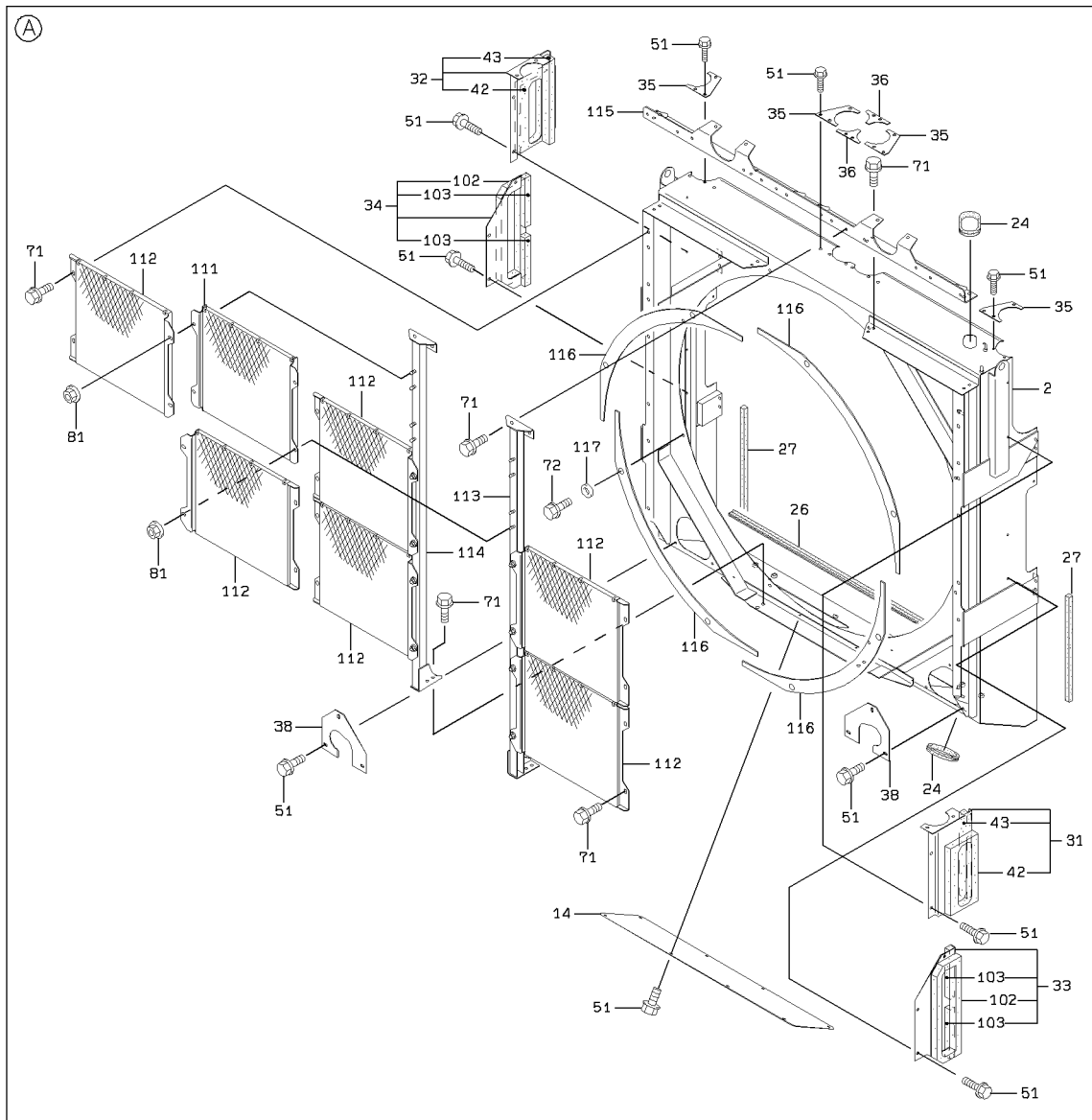


2-B

POWER GROUP

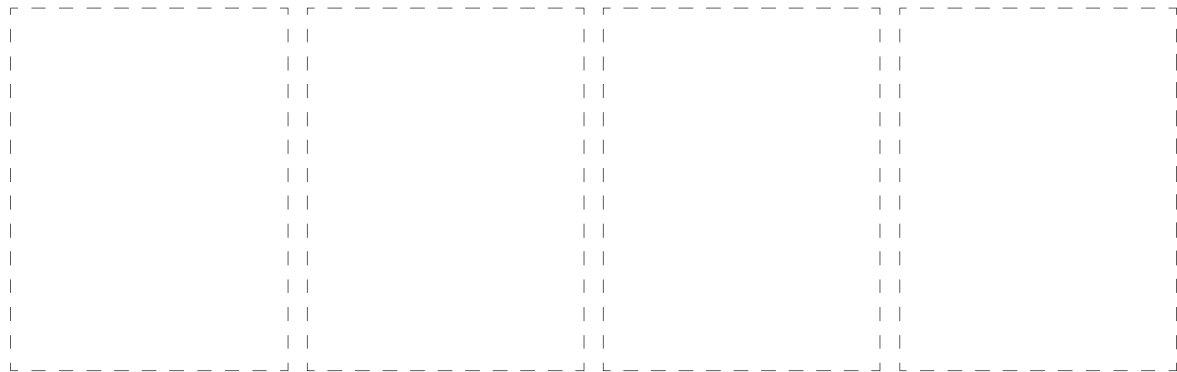
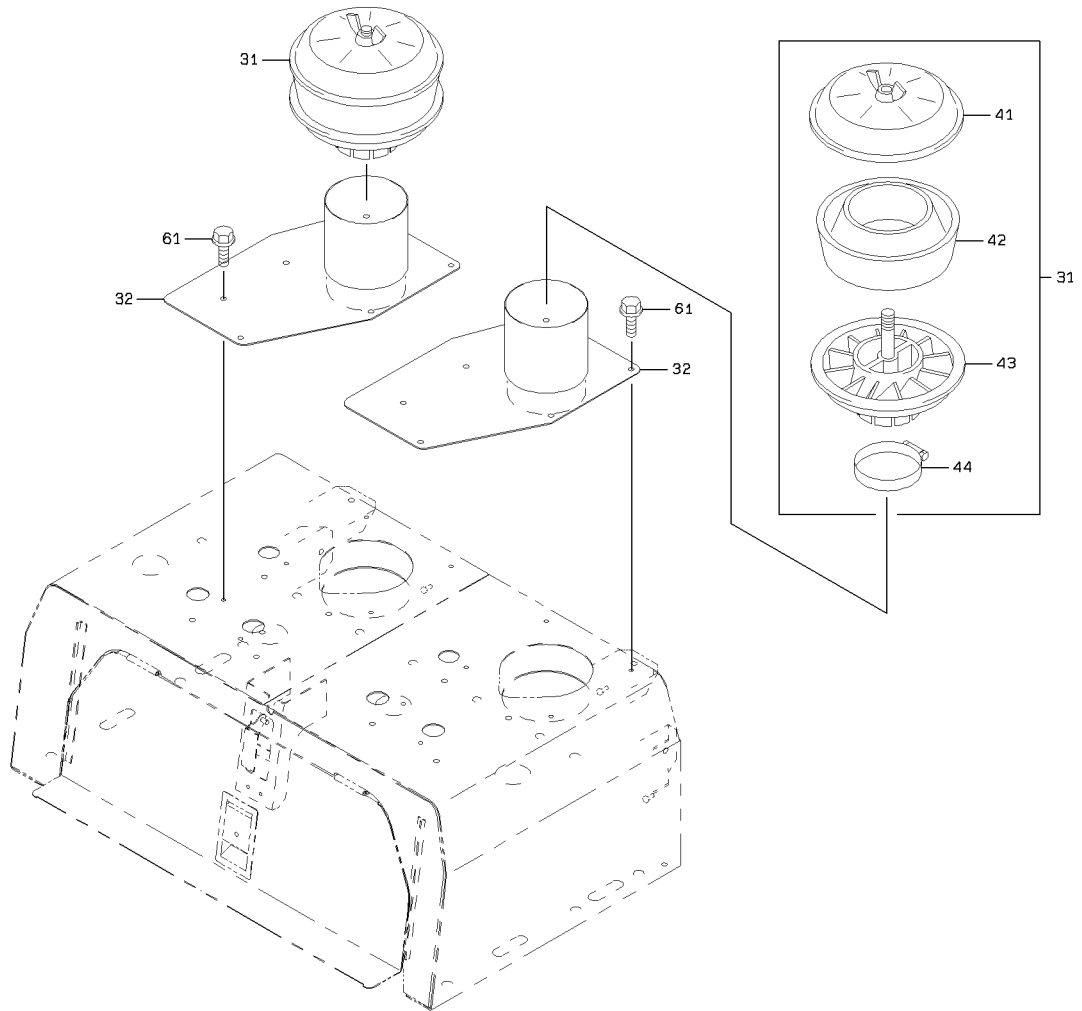
SYM-BOL	PART NUMBER	PART NAME	UNIT Q,TY	SERIAL		REMARKS						
				(A)	(B)	N	P	D	(A)	(B)	(C)	(D)
1A	31003-61890	ENGINE	1	201	-							
2A	37430-20350	TORQUE CONVERTER	1	201	-							REF361
3A	40901-37860	BRACKET	1	201	-							
4A	40901-37870	BRACKET	1	201	-							FR LH
5A	40901-37880	BRACKET	1	201	-							FR RH
6A	41615-28640	PLATE	8	201	-							
7A	44822-21420	RUBBER,CUSHION	16	201	-							
8A	50401-02840	FAN	1	201	-							WITH ENGINE
9A	50401-01180	RING	1	201	-							WITH ENGINE
11A	41615-28630	PLATE	8	201	-							
12A	38720-42680	PIPE	8	201	-							
21A	37421-20980	TRANSMISSION ASSY	1	201	-							REF370-390
22A	40951-20200	BRACKET,T/M	2	201	-							
23A	40951-20110	BRACKET	2	201	-							
24A	41615-28630	PLATE	8	201	-							
25A	44822-21420	RUBBER,CUSHION	16	201	-							
26A	41615-28640	PLATE	8	201	-							
27A	38720-42680	PIPE	8	201	-							
31A	42751-60160	PROPELLER SHAFT AS	1	201	-							REF221
32A	42752-60770	PROPELLER SHAFT AS	1	201	-	201						42752-61060
32B	42752-61060	PROPELLER SHAFT AS	1	202	-		B					REF223
33A	42753-60420	PROPELLER SHAFT AS	1	201	-							REF225
35A	46011-21420	WASHER,PLANE	24	201	-							
51A	61275-08135	BOLT(UNIFY)	6	201	-							WITH ENGINE
52A	61802-24110	BOLT,FLANGED	2	201	-							
53A	61802-20060	BOLT,FLANGED	16	201	-							
54A	61802-24150	BOLT,FLANGED	8	201	-							
55A	61802-12040	BOLT,FLANGED	16	201	-							
56A	61275-10050	BOLT(UNIFY)	6	201	-							
61A	62480-21241	NUT,FLANGED	10	201	-							
71A	62701-40121	WASHER,PLANE	6	201	-							WITH ENGINE
72A	62710-18161	WASHER,PLANE	6	201	-							
81A	61802-24150	BOLT,FLANGED	8	201	-							
82A	61802-24060	BOLT,FLANGED	28	201	-							
83A	62480-21241	NUT,FLANGED	8	201	-							
91A	61014-14080	BOLT	24	201	-							
93A	61802-24095	BOLT,FLANGED	2	201	-							
94A	62480-21241	NUT,FLANGED	2	201	-							
95A	62710-18241	WASHER,PLANE	2	201	-							

RADIATOR GROUP



2-A

AIR CLEANER GROUP



2-A

TORQUE CONVERTER

SYM-BOL	PART NUMBER	PART NAME	UNIT Q,TY	SERIAL		REMARKS								
				(A)	(B)	N	P	D	(A)	(B)	(C)	(D)	REMARK	
75B	37900-25940	HOUSING	1	115	-									
76A	39960-21220	PISTON	1	112	-									
77A	32400-22000	GEAR	1	112	-									
78A	37213-60290	DISC, FRICTION	3	112	-									
79A	37212-60090	DISC, SEPARATION	2	112	-									
81A	47131-21670	RING, O	2	112	-									(K1)
82A	65210-22085	RING, O	1	112	-	114								(K1)
82B	65210-26085	RING, O	1	115	-		B							(K1)
83A	65210-12014	RING, O	1	112	-	114								(K1)
83B	65210-18014	RING, O	1	115	-		B							(K1)
85A	31990-23510	GASKET	1	112	-	116								(K1)
85B	31990-27110	GASKET	1	117	-		C							(K1)
86A	46000-22620	WASHER	1	112	-									
87A	41694-21020	PLATE, LOCK	1	112	-									
89A	31990-23530	GASKET	2	112	-	116								(K1)
89B	31990-27120	GASKET	2	117	-		C							(K1)
91A	47131-21680	RING, O	1	112	-									(K1)
92A	41530-20600	PLUG	1	112	-									
94A	63011-06018	PIN, SPRING	1	112	-									
95A	41530-22000	PLUG	3	112	-									
96A	88111-11690	WASHER, SEAL	9	112	-									(K1)
97A	41606-34780	PLATE	1	112	-									
98A	31990-24380	GASKET	1	112	-	116								(K1)
98B	31990-27130	GASKET	1	117	-		C							(K1)
99A	41530-21100	PLUG	1	112	-									
101A	61057-10020	BOLT	3	112	-									
102A	61033-10035	BOLT	12	112	-									
103A	61033-16030	BOLT	3	112	-									
104A	61101-08020	BOLT, SOCKET	4	112	-									
105A	61101-16056	BOLT, SOCKET	9	112	-									
106A	61802-10016	BOLT, FLANGED	3	112	-									
107A	61802-10020	BOLT, FLANGED	40	112	-									
108A	61013-10040	BOLT	36	112	-									
109A	61802-12020	BOLT, FLANGED	12	112	-									
111A	61802-12030	BOLT, FLANGED	24	112	-									
112A	61802-12045	BOLT, FLANGED	6	112	-									
113A	61802-12055	BOLT, FLANGED	12	112	-									
114A	61802-16040	BOLT, FLANGED	8	112	-									
115A	61802-10120	BOLT, FLANGED	6	112	-									
116A	62710-18101	WASHER, PLANE	36	112	-									
117A	61802-10080	BOLT, FLANGED	12	112	-									
121A	88390-16102	PLUG	12	112	-									
122A	88390-16120	PLUG	3	112	-									
123A	88390-21304	PLUG	2	112	-			Y01						
125A	31236-26050	COVER ASSY	1	112	-									
126A	38554-60440	VALVE, CHECK	1	112	-					Y02				
127A	41607-25880	PLATE	2	112	-									
128A	31990-24700	GASKET	1	112	-									(K1)
131A	65210-12011	RING, O	1	112	-				01					(K1)
141A	49327-72510	SEAL KIT	1	112	-					02				(K1)

MEMO

CONTROL VALVE GROUP

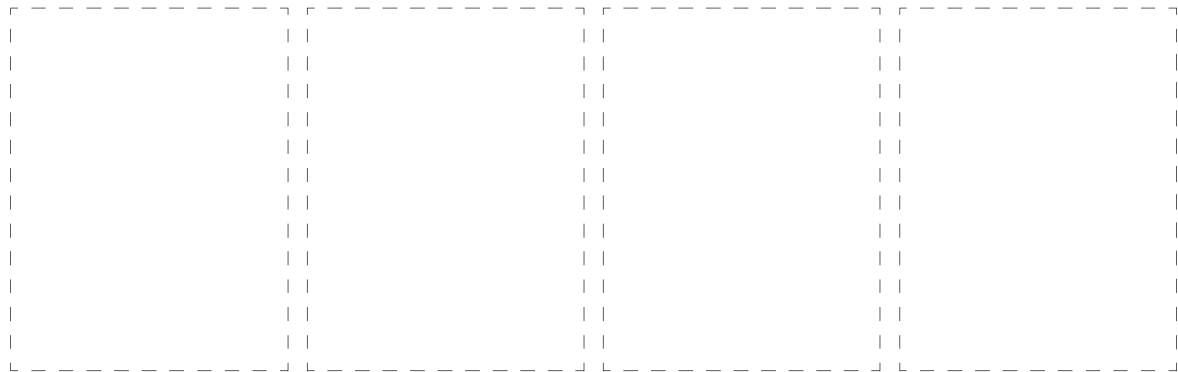
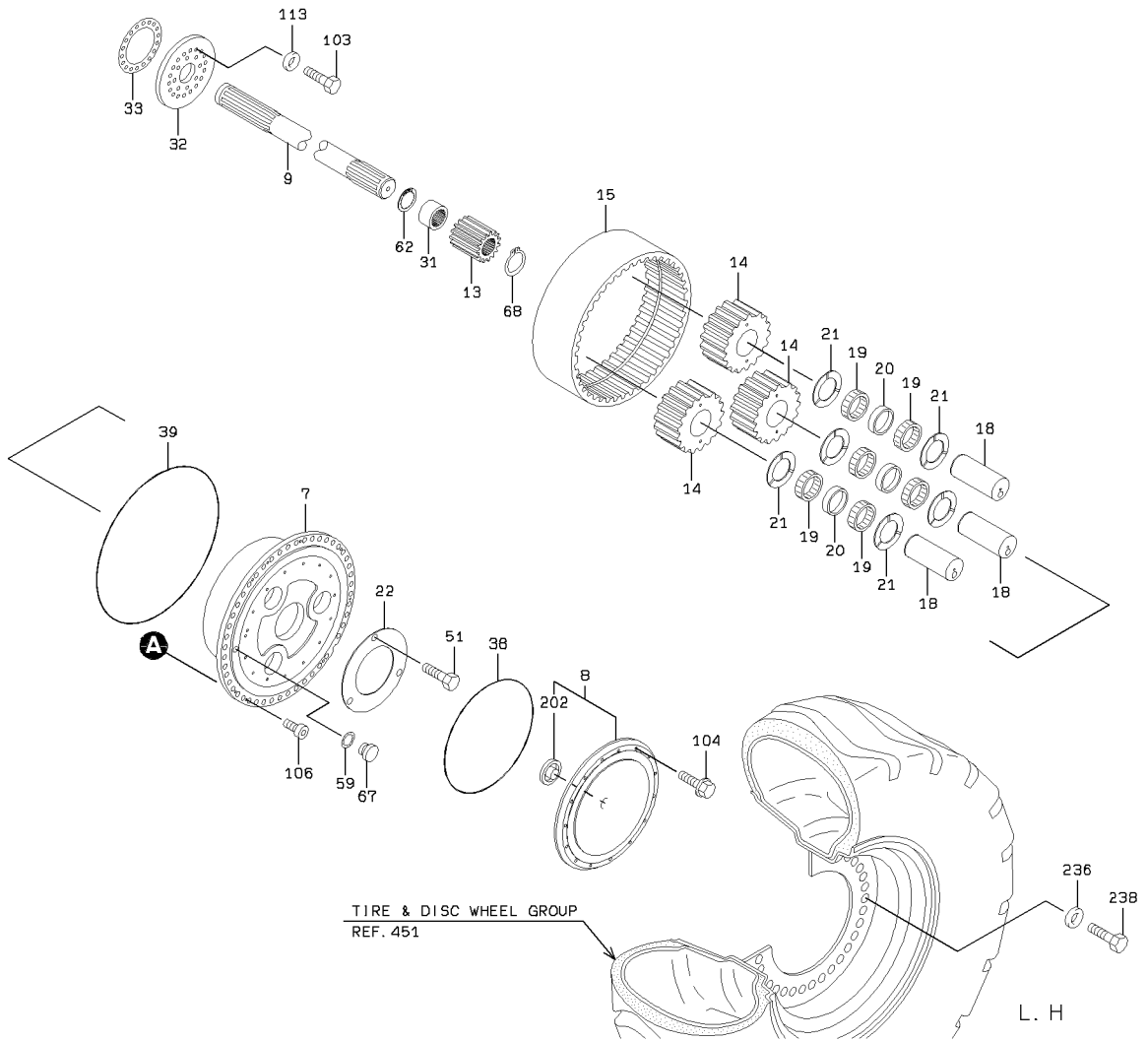
SYM-BOL	PART NUMBER	PART NAME	UNIT Q, TY	SERIAL		REMARKS						
				(A)	(B)	N	P	D	(A)	(B)	(C)	(D)
1A	38521-20500	VALVE ASSY,CONTROL	1	101	-							REF.386
2A	38534-20520	VALVE ASSY,CHECK	1	101	-							REF.388
3A	38511-26020	VALVE ASSY	1	101	-							REF.389
4A	30100-21780	ACCUMULATOR ASSY	1	101	-							REF.390
5A	38705-48190	PIPE ASSY,FLARED	1	101	-							
6A	38705-48200	PIPE ASSY,FLARED	1	101	-							
7A	38705-48210	PIPE ASSY,FLARED	1	101	-							
8A	38705-48220	PIPE ASSY,FLARED	1	101	-							
9A	31990-23860	GASKET	1	101	-							(K2)
51A	61101-12110	BOLT,SOCKET	18	101	-							
52A	61101-08080	BOLT,SOCKET	8	101	-							
53A	61101-08070	BOLT,SOCKET	4	101	-							
54A	61802-12016	BOLT,FLANGED	4	101	-							

ACCUMULATOR GROUP

SYM-BOL	PART NUMBER	PART NAME	UNIT Q,TY	SERIAL		REMARKS							
				(A)	(B)	N	P	D	(A)	(B)	(C)	(D)	REMARK
000A	30100-21780	ACCUMULATOR ASSY	1	101	-								
1A	30100-21640	ACCUMULATOR ASSY	1	101	-				Y01				
2A	30100-21630	ACCUMULATOR ASSY	1	101	-					Y02			
3A	41605-48420	PLATE	1	101	-								
4A	41617-21640	PLATE	1	101	-								
5A	40732-20060	FLARED FITTING,ELB	2	101	-						Y03		
6A	40732-20030	FLARED FITTING,ELB	2	101	-							Y04	
7A	62521-11008	NUT,BEARING	2	101	-								
11A	36725-21430	TUBE,CYLINDER	1	101	-				01				
12A	39960-22110	PISTON	1	101	-				01				
13A	31289-20910	COVER,ROD	1	101	-				01				
14A	35600-23380	SPRING	1	101	-				01				
15A	35600-23410	SPRING	1	101	-				01				
16A	38150-20770	BAR	1	101	-				01				
17A	39661-70490	PACKING,U	1	101	-				01			(K2)	
18A	47171-70650	RING,WEAR	1	101	-				01				
19A	65210-22065	RING,O	1	101	-				01			(K2)	
21A	62213-04006	SCREW	1	101	-				01				
31A	36725-21430	TUBE,CYLINDER	1	101	-					02			
32A	39960-22110	PISTON	1	101	-					02			
33A	31289-20910	COVER,ROD	1	101	-					02			
34A	35600-23360	SPRING	1	101	-					02			
35A	35600-23400	SPRING	1	101	-					02			
36A	38150-20760	BAR	1	101	-					02			
37A	39661-70490	PACKING,U	1	101	-					02		(K2)	
38A	47171-70650	RING,WEAR	1	101	-					02			
39A	65210-22065	RING,O	1	101	-					02		(K2)	
41A	62213-04006	SCREW	1	101	-					02			
51A	61802-08012	BOLT,FLANGED	3	101	-								
52A	61802-06012	BOLT,FLANGED	8	101	-								
101A	65210-12018	RING,O	1	101	-						03	(K2)	
111A	65210-12011	RING,O	1	101	-						04	(K2)	

FRONT AXLE GROUP

<S/N 0204 - >



2-A

REAR AXLE GROUP

SYM-BOL	PART NUMBER	PART NAME	UNIT Q,TY	SERIAL (A) - (B)	REMARKS							
					N	P	D	(A)	(B)	(C)	(D)	REMARK
69A	88390-21306	PLUG	2	204 -								
73A	40010-20440	PIN,STRAIGHT	2	204 -								
101A	61005-24080	BOLT	18	204 -								
102A	61005-24160	BOLT	12	204 -								
103A	61005-16070	BOLT	36	204 -								
104A	61802-12050	BOLT,FLANGED	30	204 -								
105A	61101-12050	BOLT,SOCKET	8	204 -								
106A	61101-12030	BOLT,SOCKET	14	204 -								
107A	61802-12020	BOLT,FLANGED	24	204 -								
108A	61802-10016	BOLT,FLANGED	4	204 -								
109A	61802-08016	BOLT,FLANGED	2	204 -								
110A	62401-92241	NUT	32	204 -								
111A	62710-18241	WASHER,PLANE	134	204 -								
112A	62710-18161	WASHER,PLANE	36	204 -								
202A	40840-23050	BUSHING	1	204 -				01				
211A	65210-12014	RING,O	1	204 -					02			
221A	35010-60440	SWITCH	2	204 -								
222A	35037-20200	SWITCH,TEMPERATURE	2	204 -								
224A	35570-20080	SPOOL	2	204 -								
226A	88111-11690	WASHER,SEAL	2	204 -								
238A	46011-21540	WASHER,PLANE	94	204 -								
241A	43900-24070	BOLT	94	204 -								

CLICK HERE TO **DOWNLOAD** THE COMPLETE MANUAL

- Thank you very much for reading the preview of the manual.
- You can download the complete manual from: www.heydownloads.com by clicking the link below



- Please note: If there is no response to CLICKING the link, please download this PDF first and then click on it.

CLICK HERE TO **DOWNLOAD** THE COMPLETE MANUAL

BRAKE LINE - FRONT CHASSIS

SYM-BOL	PART NUMBER	PART NAME	UNIT Q,TY	SERIAL (A) - (B)	REMARKS				REMARK
					N	P	D		
1A	38705-43310	PIPE ASSY,FLARED	1	201 -					FR LH
2A	38705-43300	PIPE ASSY,FLARED	1	201 -					FR RH
3A	68655-68190	HOSE,HIGH PRESSURE	1	201 -					
4A	40733-20500	FLARED FITTING,TEE	1	201 -					
5A	40732-20060	FLARED FITTING,ELB	2	201 -			Y01		
6A	72010-40000	HOLDER,HOSE	A/R	201 -					D=40
7A	72001-11500	HOLDER,PIPE	A/R	201 -					D=15
8A	41603-58000	PLATE	2	201 -					
9A	41617-22510	PLATE	2	201 -					
11A	65210-12018	RING,O	1	201 -			01		
51A	61802-10016	BOLT,FLANGED	8	201 -					
52A	61802-08016	BOLT,FLANGED	4	201 -					
61A	62480-21081	NUT,FLANGED	A/R	201 -					

BRAKE LINE - ACCUMULATOR

SYM-BOL	PART NUMBER	PART NAME	UNIT Q,TY	SERIAL		REMARKS						
				(A)	(B)	N	P	D	(A)	(B)	(C)	(D)
1A	38543-60230	VALVE,UNLOADER	1	201	-							REF.571
2A	88241-07112	ADAPTER,ELBOW	2	201	-	204				Y01		
2B	88241-07112	ADAPTER,ELBOW	1	205	-					Y01		
3A	30242-20020	ADAPTER,ELBOW UNIO	1	201	-	204						
3B	30230-20360	ADAPTER	1	205	-		B			Y01		
4A	88241-07106	ADAPTER,ELBOW	2	201	-						Y02	
5A	30246-20440	ADAPTER,TEE	1	201	-						Y02	
6A	30241-20810	ADAPTER,ELBOW	1	205	-					Y01		
11A	65210-12024	RING,O	1	201	-					01		
21A	65210-12014	RING,O	1	201	-						02	
31A	30100-60740	ACCUMULATOR ASSY	2	201	-							FEF.755
32A	41608-41600	PLATE	1	201	-							
33A	38670-21100	BAND	4	201	-	202						
33B	38670-21870	BAND	4	203	-		C					
34A	88241-07108	ADAPTER,ELBOW	2	201	-						Y03	
35A	33713-22540	SHEET,RUBBER	4	201	-							
36A	88031-06121	NUT,SELF-LOCKING	8	201	-							
41A	65210-12018	RING,O	1	201	-						03	
51A	61802-10060	BOLT,FLANGED	3	201	-							
61A	61802-16025	BOLT,FLANGED	4	201	-							
71A	62701-40121	WASHER,PLANE	8	201	-							

BRAKE VALVE

SYM-BOL	PART NUMBER	PART NAME	UNIT Q,TY	SERIAL (A) - (B)	REMARKS					
					N	P	D	(A)	(B)	(C)
000A	38531-60390	VALVE ASSY,BRAKE	1	201 -						
4A	35600-75510	SPRING	1	201 -						
5A	33930-70720	SEAT,SPRING	1	201 -						
6A	45311-71330	RING,SNAP	1	201 -						
7A	33930-70730	SEAT,SPRING	1	201 -						
8A	45311-70610	RING,SNAP	1	201 -						
9A	41585-70290	PLUNGER	2	201 -						
10A	35600-75520	SPRING	1	201 -						
11A	65210-22050	RING,O	1	201 -						
12A	31200-72480	COVER	1	201 -						
13A	61101-08020	BOLT,SOCKET	4	201 -						
15A	35570-70830	SPOOL	1	201 -						
16A	33930-70640	SEAT,SPRING	1	201 -						
17A	35750-70570	SLEEVE	1	201 -						
18A	33100-70600	CASE	1	201 -						
19A	35600-75540	SPRING	1	201 -						
20A	35600-75530	SPRING	1	201 -						
21A	33100-70610	CASE	1	201 -						
22A	45315-70290	RING,STOP	1	201 -						
23A	35600-76290	SPRING	1	201 -						
24A	31200-72730	COVER	1	201 -						
25A	34042-70330	SEAL,OIL	1	201 -						
26A	45200-70290	RING	1	201 -						
27A	63812-00045	RING,SNAP	1	201 -						
28A	47131-75260	RING,O	1	201 -						
29A	40900-71380	BRACKET	1	201 -						
30A	40840-72220	BUSHING	2	201 -						
31A	61101-08070	BOLT,SOCKET	3	201 -						
32A	46013-70610	WASHER,SPRING	3	201 -						
33A	33920-70050	SEAT	1	201 -						
34A	40790-70280	BOOT	1	201 -						
35A	43020-70040	PEDAL	1	201 -						
36A	45800-70110	ROLLER	1	201 -						
37A	31701-70770	COLLAR	2	201 -						
38A	40000-71270	PIN	2	201 -						
39A	40000-71280	PIN	2	201 -						
40A	31701-70780	COLLAR	1	201 -						
41A	46011-70620	WASHER,PLANE	2	201 -						
42A	63002-02020	PIN,SPLIT	2	201 -						
43A	35104-70120	SCREW,SET	1	201 -						
44A	62401-81081	NUT	1	201 -						
45A	32223-70040	COVER,PEDAL	1	201 -						

MEMO

LOADING HYDRAULIC LINE - REAR CHASSIS (FOR SUCTION)

SYM-BOL	PART NUMBER	PART NAME	UNIT Q, TY	SERIAL		REMARKS						
				(A)	(B)	N	P	D	(A)	(B)	(C)	(D)
1A	38755-54810	PIPE,OIL	1	201	-							
2A	38755-29360	PIPE,OIL	1	201	-							
3A	38755-54850	PIPE,OIL	1	201	-							
4A	38755-29370	PIPE,OIL	1	201	-							
5A	67040-32000	HOSE,HEAT RESISTIN	1 M	201	-							L=450
6A	67040-75000	HOSE,HEAT RESISTIN	1 M	201	-							L=200 X Q'TY 2
7A	67040-75000	HOSE,HEAT RESISTIN	1 M	201	-							L=650
8A	67040-75000	HOSE,HEAT RESISTIN	1 M	201	-							L=730
9A	88390-21304	PLUG	2	201	-			Y01				
11A	41605-27290	PLATE	2	201	-							
12A	69030-10500	BAND,HOSE-HIGH TOR	16	201	-							
13A	69030-05400	BAND,HOSE-HIGH TOR	2	201	-							
14A	65220-41010	RING,O	2	201	-							
15A	65220-31024	RING,O	1	201	-							
16A	43962-21330	BOLT,U	4	201	-							
17A	88031-06101	NUT,SELF-LOCKING	8	201	-							
19A	38755-57190	PIPE,OIL	1	201	-							
21A	65210-12011	RING,O	1	201	-				01			
51A	61802-12035	BOLT,FLANGED	8	201	-							
52A	61802-10035	BOLT,FLANGED	4	201	-							
54A	61802-12030	BOLT,FLANGED	4	201	-							

LOADING HYDRAULIC LINE - STEERING CYLINDER

SYM-BOL	PART NUMBER	PART NAME	UNIT Q,TY	SERIAL (A) - (B)	REMARKS						
					N	P	D	(A)	(B)	(C)	(D)
2A	46011-20290	WASHER,PLANE	3	201 -							
11A	38523-60370	VALVE ASSY,STEERIN	1	201 -							REF661
12A	41410-31820	BLOCK	2	201 -							
13A	41410-29760	BLOCK	1	201 -							
14A	65220-31024	RING,O	2	201 -							
15A	65220-31027	RING,O	1	201 -							
16A	40730-20040	FLARED FITTING	2	201 -				Y01			
17A	38701-25730	PIPE ASSY	1	201 -							
18A	65220-41003	RING,O	1	201 -							
21A	88390-21304	PLUG	2	201 -					Y02		
22A	41616-20370	PLATE	2	201 -							
31A	65210-12014	RING,O	1	201 -				01			
41A	65210-12011	RING,O	1	201 -					02		
51A	61802-16130	BOLT,FLANGED	3	201 -							
61A	61101-12080	BOLT,SOCKET	8	201 -							
62A	61101-14080	BOLT,SOCKET	4	201 -							
63A	61802-12040	BOLT,FLANGED	4	201 -							
64A	62731-12100	WASHER,SPRING	8	201 -							
65A	62731-14100	WASHER,SPRING	4	201 -							
66A	61802-08016	BOLT,FLANGED	2	201 -							
71A	61802-10030	BOLT,FLANGED	32	201 -							
72A	61802-10075	BOLT,FLANGED	16	201 -							
73A	61802-08025	BOLT,FLANGED	2	201 -							
74A	61802-08060	BOLT,FLANGED	6	201 -							
75A	62480-21081	NUT,FLANGED	1	201 -							
101A	43113-31980	HOSE,HIGH PRESSURE	1	201 -							
102A	68878-50250	HOSE,HIGH PRESSURE	1	201 -							
103A	68878-50190	HOSE,HIGH PRESSURE	1	201 -							
104A	68878-50200	HOSE,HIGH PRESSURE	1	201 -							
105A	69811-19420	FLANGE,SPLIT	16	201 -							
106A	65220-31019	RING,O	12	201 -							
107A	32924-20010	CLAMP,MULTIPLE	2	201 -							
108A	40850-70160	BUSHING,ELASTIC	4	201 -							
109A	41616-57810	PLATE	1	201 -							
111A	72010-31000	HOLDER,HOSE	2	201 -							D=31
112A	41410-29780	BLOCK	2	201 -							
113A	41410-32880	BLOCK	2	201 -							

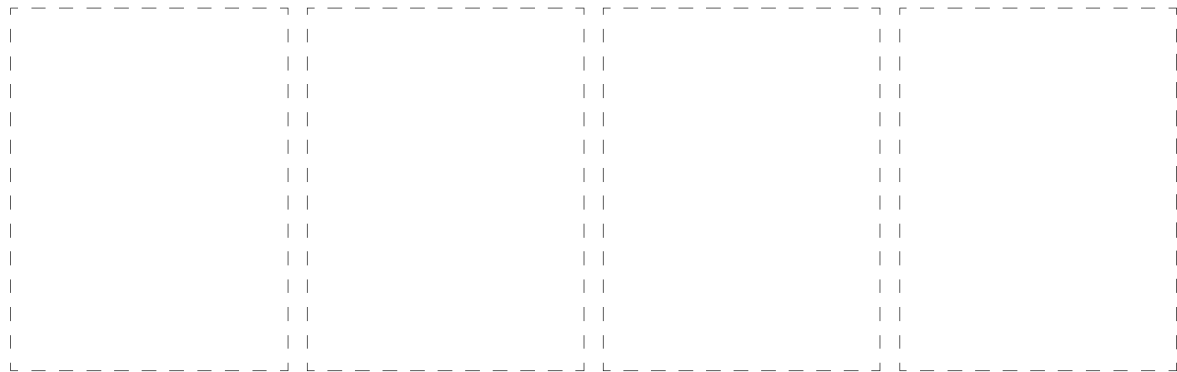
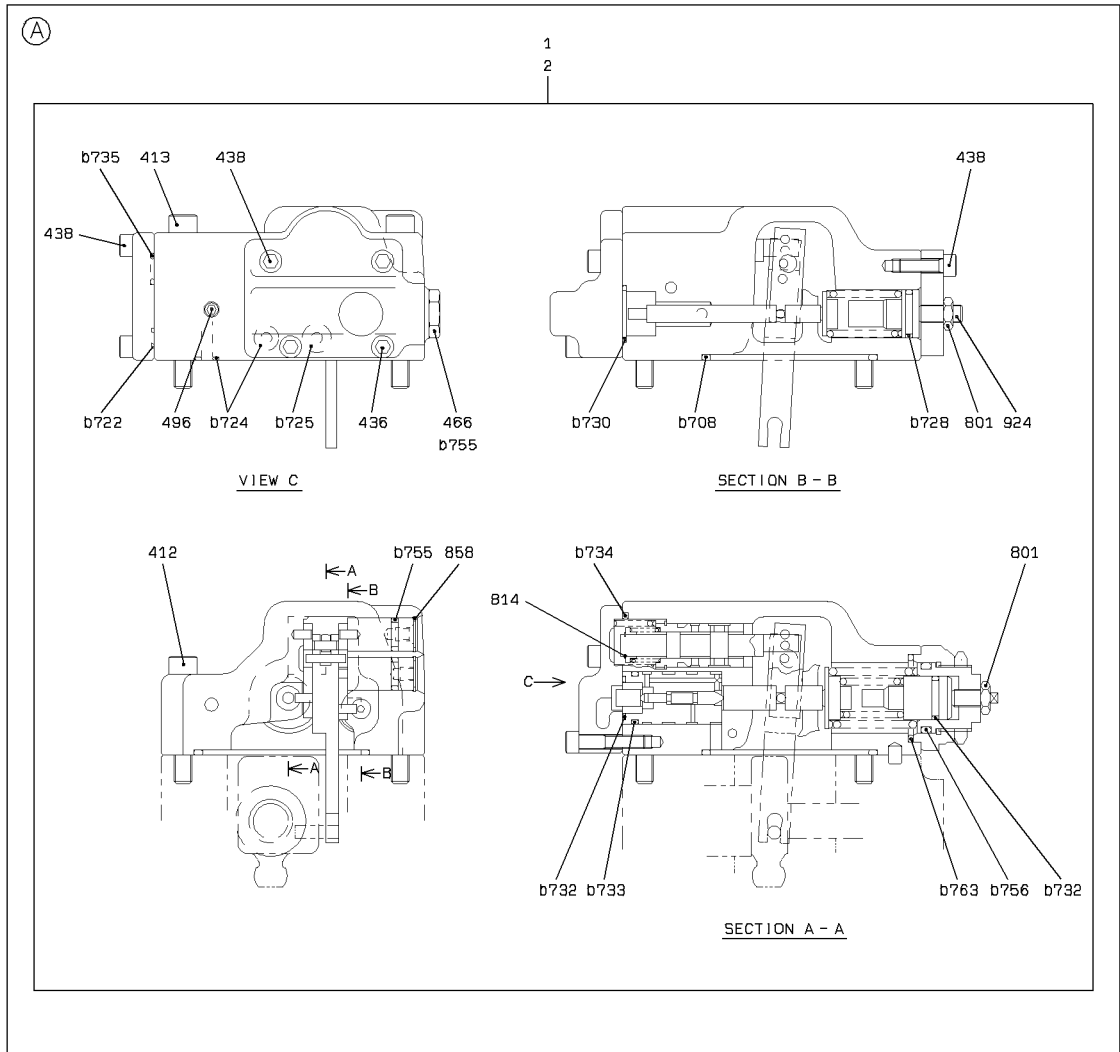
PILOT HYDRAULIC LINE - REAR CHASSIS

SYM-BOL	PART NUMBER	PART NAME	UNIT Q,TY	SERIAL		REMARKS							
				(A)	(B)	N	P	D	(A)	(B)	(C)	(D)	REMARK
2A	40901-49260	BRACKET	1	201	-								
3A	40901-49270	BRACKET	1	201	-								
4A	43900-20610	BOLT	2	201	-								
11A	38510-20280	VALVE	2	201	-								REF.765
12A	30960-60010	ELBOW	2	201	-			Y01					
13A	88201-06706	ADAPTER	2	201	-				Y02				
14A	30230-21520	ADAPTER	2	201	-					Y03			
15A	41411-21190	BLOCK ASSY	2	201	-						Y04		
16A	40730-20040	FLARED FITTING	2	201	-				Y02				
21A	65210-12011	RING,O	1	201	-			01					
31A	65210-12014	RING,O	1	201	-				02				
41A	65210-12014	RING,O	2	201	-					03			
51A	61802-08055	BOLT,FLANGED	6	201	-								
52A	61802-16030	BOLT,FLANGED	5	201	-								
53A	62403-81161	NUT	2	201	-								
61A	62480-21081	NUT,FLANGED	1	201	-								
101A	41410-31370	BLOCK	1	201	-							04	
102A	44074-20120	POPPET	1	201	-							04	
103A	44074-20170	POPPET	1	201	-							04	
104A	35600-22930	SPRING	1	201	-							04	
105A	35600-23030	SPRING	1	201	-							04	
106A	88390-21304	PLUG	2	201	-			Y01				04	
111A	68055-20050	HOSE,HIGH PRESSURE	1	201	-								
112A	68045-20151	HOSE,HIGH PRESSURE	1	201	-								
113A	88241-07106	ADAPTER,ELBOW	1	201	-				Y02				
114A	30230-23770	ADAPTER	1	201	-								
115A	37600-20680	NUT	1	201	-								
116A	38706-20120	PIPE ASSY,FLARED	1	201	-								
117A	38705-47700	PIPE ASSY,FLARED	1	201	-								
118A	38705-47710	PIPE ASSY,FLARED	1	201	-								
119A	72001-12500	HOLDER,PIPE	1	201	-								D=25
121A	65801-16220	BUSHING,ELASTIC	1	201	-								

OIL PUMP (S/N202-)

<S/N 0202 - >

(NOTE):KIT (SYMBOL 700) CONSISTS OF THE PARTS WITH b.

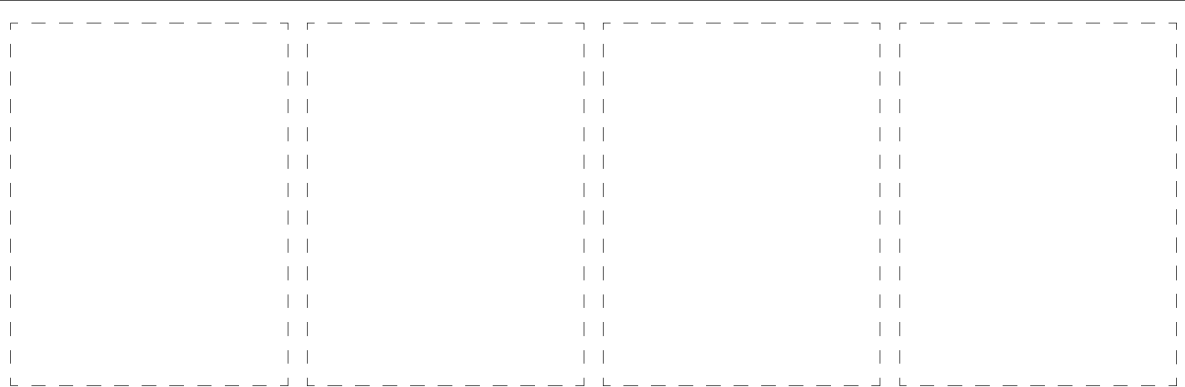
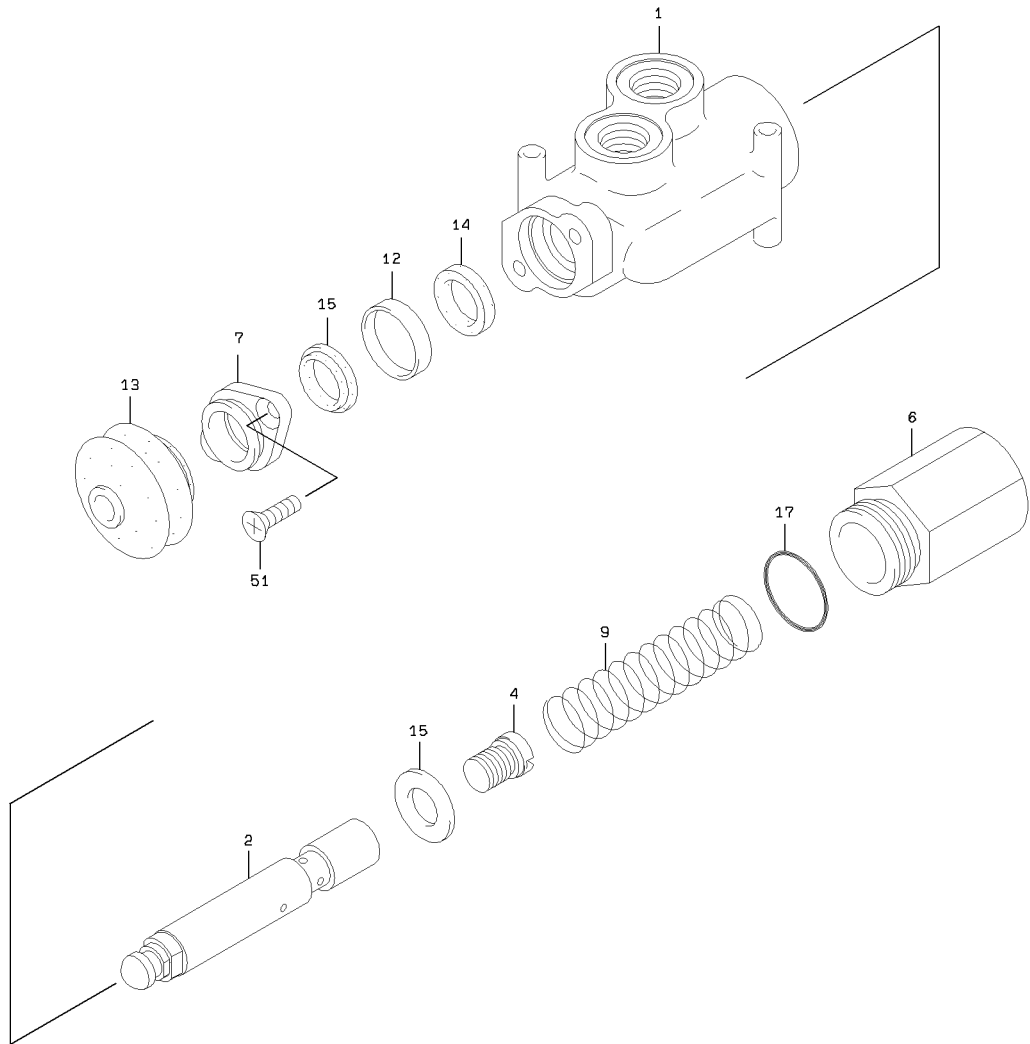


2-A

OIL PUMP (S/N202-)

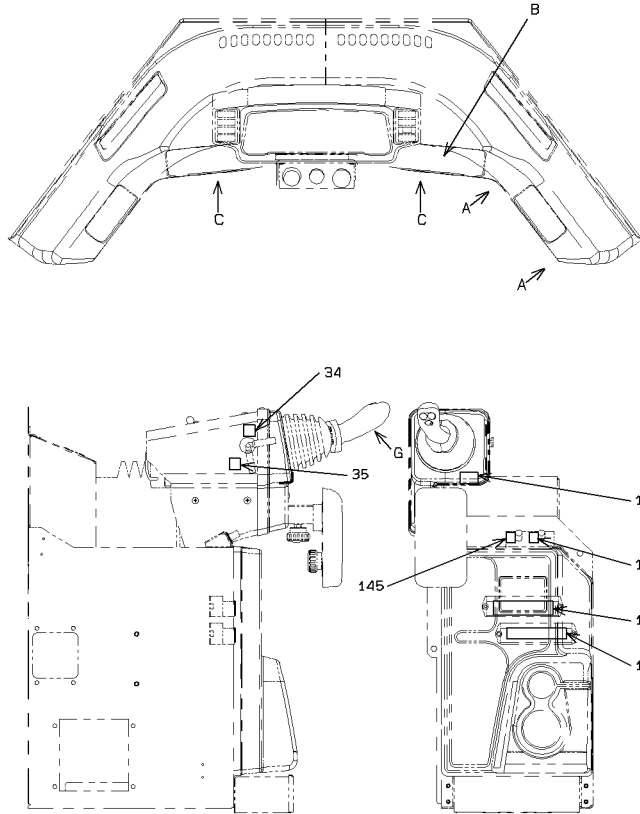
SYM-BOL	PART NUMBER	PART NAME	UNIT Q,TY	SERIAL (A) - (B)	REMARKS					
					N	P	D	(A)	(B)	(C)
824A	63811-00040	RING,SNAP	2	202 -						
858A	63812-00015	RING,SNAP	2	202 -				01	02	
885A	40000-70910	PIN	2	202 -						
886A	63011-06014	PIN,SPRING	4	202 -						
901A	43951-70090	BOLT,EYE	2	202 -						
924A	61121-08020	BOLT,SOCKET	1	202 -				01	02	
953A	61121-16030	BOLT,SOCKET	2	202 -						
954A	35100-71890	SCREW	2	202 -						

VALVE GROUP



2-A

MARKING GROUP



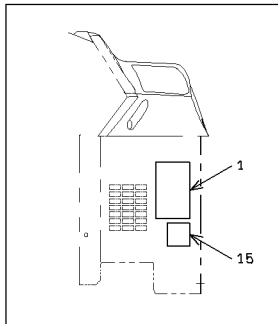
SYMBOL	LABEL KIT
200	LABEL KIT
1	WARNING LABEL (READ MANUAL)
2	WARNING LABEL (CHECK T/C OIL)
3	WARNING LABEL (CAUGHT)
4	WARNING LABEL (BATTERY GAS)
5	WARNING LABEL (BELT)
6	WARNING LABEL (FAN)
7	WARNING LABEL (HOT FLUID)
8	WARNING LABEL (SPRING) (S/N 0205 -)
9	WARNING LABEL (ACCUMULATOR)

SYMBOL	LABEL KIT
210	LABEL KIT
11	DANGER LABEL (CAUGHT)
12	DANGER LABEL (BOOM)
13	CAUTION LABEL (ARTIC. STOPPER)
15	DANGER LABEL (ROPS)
16	CAUTION LABEL (BATTERY LIQUID)
18	WARNING LABEL (AIR CLEANER)
21	FUEL LABEL
23	TIRE AIR PRESSURE LABEL
25	E/G OIL DRAIN LABEL (OIL PAN)
26	R/D COOLING WATER DRAIN LABEL
29	FRONT WIPER LABEL
31	REAR WIPER LABEL
34	LOCK LABEL
35	UNLOCK LABEL

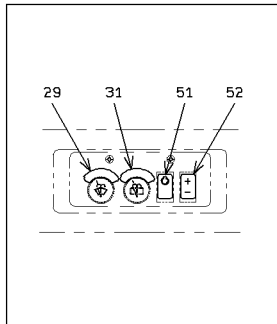
SYMBOL	LABEL KIT
220	LABEL KIT
51	DIAG LABEL
52	DIAG LABEL
53	INSTRUMENT SWITCH LABEL

SYMBOL	LABEL KIT
230	LABEL KIT
131	WARNING LABEL (INDICATION LAMP)
133	FUSE LABEL
134	FUSE LABEL
135	GAUGE PORT LABEL
136	HYDRAULIC OIL LABEL
137	BUCKET CONTROL LABEL
138	OPERATING MODE LABEL
139	TRACTION CONTROL LABEL
141	STEP LAMP LABEL
142	BOOM SOFT LANDING LABEL
143	E/G REMOTE S/W LABEL
144	TRACTION CONTROL ADJUSTMENT LABEL
145	BOOM SOFT LANDING ADJUSTMENT LABEL

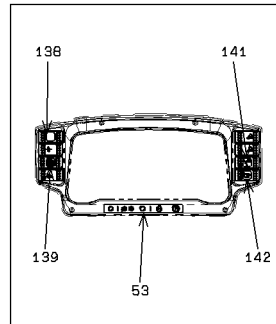
VIEW A-A (WITH CAB SPEC.)



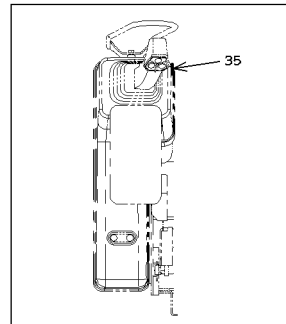
VIEW B



VIEW C-C



VIEW G



2-B

CAB MOUNT

SYM-BOL	PART NUMBER	PART NAME	UNIT Q,TY	SERIAL (A) - (B)	REMARKS					
					N	P	D	(A)	(B)	(C)
2A	35680-52840	SPONGE	2	201 -						
3A	41533-20160	PLUG,ELASTIC	4	201 -						
4A	41533-20140	PLUG,ELASTIC	1	201 -						
5A	35680-51710	SPONGE	2	201 -						
20A	32264-21580	CAB ASSY	1	201 -						REF903-911.91
31A	44184-23580	MAT,FLOOR	1	201 -						
32A	44184-23570	MAT,FLOOR	1	201 -						
52A	61005-24070	BOLT	8	201 -						
53A	62710-18241	WASHER,PLANE	8	201 -						
54A	61802-16018	BOLT,FLANGED	8	201 -						

FRONT WIPER & WINDOW WASHER GROUP

SYM-BOL	PART NUMBER	PART NAME	UNIT Q, TY	SERIAL		REMARKS						
				(A)	(B)	N	P	D	(A)	(B)	(C)	(D)
1A	44487-60100	MOTOR ASSY,WIPER	1	101	-							
2A	30035-60060	ARM,WIPER	1	101	-							L=750
3A	41321-60020	BLADE,WIPER	1	101	-							L=714
4A	45051-60020	RELAY ASSY	1	101	-							
11A	44860-20070	LAMP	1	101	-			Y01				
22A	38480-70630	BULB	1	101	-			01				24V10W
31A	37740-20080	NOZZLE	1	101	-							
32A	38554-70810	VALVE,CHECK	2	101	-							
33A	67031-07000	TUBE,VINYL	6 M	101	-							L=5400
34A	67031-07000	TUBE,VINYL	5 M	101	-							L=4600
35A	67031-07000	TUBE,VINYL	1 M	101	-							L=100 X QTY 2
36A	32970-70210	CLIP	A/R	101	-							
51A	62256-51616	SCREW	4	101	-							
52A	62701-40061	WASHER,PLANE	4	101	-							
53A	62721-06100	WASHER,SPRING	4	101	-							
54A	61802-06016	BOLT,FLANGED	2	101	-							
61A	62256-51520	SCREW	2	101	-							
62A	62721-05100	WASHER,SPRING	2	101	-							

ROPS, BUCK MIRROR & COVER MOUNT

SYM-BOL	PART NUMBER	PART NAME	UNIT Q,TY	SERIAL (A) - (B)	REMARKS						
					N	P	D	(A)	(B)	(C)	(D)
1A	45953-20460	ROPS	1	201 -						WA1	
11A	44783-21440	LABEL,SPECIFICATIO	1	201 -							
21A	44340-60130	MIRROR	2	201 -							44340-70230
22A	35210-23070	STAY	1	201 -							FR LH
23A	35210-23080	STAY	1	201 -							FR RH
24A	40000-27270	PIN	2	201 -							
25A	38731-22910	PIPE	2	201 -							
26A	40850-20600	BUSHING,ELASTIC	4	201 -							
31A	44890-70140-7	LAMP,HEAD	2	201 -				Y01			
43A	45701-70650-7	LENS	1	201 -				01	02		
44A	38480-70800-7	BULB	1	201 -				01	02		24V65W
51A	61005-30095	BOLT	32	201 -							
52A	62710-18301	WASHER,PLANE	32	201 -							
61A	61802-10020	BOLT,FLANGED	8	201 -							
62A	61802-08012	BOLT,FLANGED	4	201 -							
63A	62480-21081	NUT,FLANGED	4	201 -							
101A	44890-70140-7	LAMP,HEAD	2	201 -					Y02		
130A	02623-00030	SUPPORT ASSY	1	201 -						A1	

MEMO

CONDENSER & COVER MOUNT

SYM-BOL	PART NUMBER	PART NAME	UNIT Q,TY	SERIAL		REMARKS						
				(A)	(B)	N	P	D	(A)	(B)	(C)	(D)
1A	33360-60070-7	CONDENSER	1	201	- 204							REF.975
1B	33360-60100-7	CONDENSER	1	205	-							REF.975A
4A	36200-60030-7	TANK	1	201	-							
5A	43124-60090-7	HOSE,COOLER	1	201	-							
6A	32920-60070-7	CLAMP	2	201	-							
9A	41606-70010-7	PLATE	1	201	-							
11A	43805-21240	BOX ASSY	1	201	-							
12A	41608-57590	PLATE	1	201	-							
13A	44822-20460	RUBBER,CUSHION	2	201	-							
14A	65801-40032	BUSHING,ELASTIC	2	201	-							
15A	33057-70160	GROMMET	1	201	-							33057-70240
16A	41607-51410	PLATE	1	201	-							
17A	65801-06032	BUSHING,ELASTIC	1	201	-							
18A	65801-16032	BUSHING,ELASTIC	1	201	-							
24A	47131-75930-7	RING,O	2	201	-							
51A	61802-05016	BOLT,FLANGED	3	201	-							
52A	61802-06020	BOLT,FLANGED	16	201	-							
53A	61802-06040	BOLT,FLANGED	1	201	-							
54A	61802-10016	BOLT,FLANGED	4	201	-							
55A	61802-10020	BOLT,FLANGED	4	201	-							
56A	61802-12020	BOLT,FLANGED	4	201	-							
57A	88031-06061	NUT,SELF-LOCKING	2	201	-							
58A	61802-06025	BOLT,FLANGED	1	201	-							
59A	62701-40061	WASHER,PLANE	1	201	-							

AIR DAMPER

SYM-BOL	PART NUMBER	PART NAME	UNIT Q,TY	SERIAL		REMARKS					
				(A)	(B)	N	P	D	(A)	(B)	(C)
000A	41351-60040-7	BLOWER ASSY	1	205	-						
1A	34500-70740-7	SHAFT	2	205	-						
2A	31053-70730-7	ORIFICE	2	205	-						
3A	40900-71830-7	BRACKET	2	205	-						
4A	34000-70930-7	SEAL	1	205	-						
5A	31990-71920-7	GASKET	1	205	-						
6A	31990-71930-7	GASKET	1	205	-						
7A	32970-70370-7	CLIP	1	205	-						
8A	41350-70020-7	BLOWER	1	205	-						
9A	41350-70030-7	BLOWER	1	205	-						
10A	35100-71980-7	SCREW	10	205	-						
11A	35100-72040-7	SCREW	8	205	-						
12A	46000-71600-7	WASHER	14	205	-						
13A	37600-72410-7	NUT	4	205	-						
14A	37634-70030-7	NUT,NYLON	6	205	-						
15A	37634-70020-7	NUT,NYLON	4	205	-						
16A	45020-70220-7	RIVET	10	205	-						
17A	46000-71800-7	WASHER	4	205	-						
18A	33435-60280-7	CONTROL UNIT	2	205	-						
19A	31236-70040-7	COVER ASSY	1	205	-						
20A	31236-70080-7	COVER ASSY	1	205	-						
21A	31236-70050-7	COVER ASSY	1	205	-						
22A	33110-60050-7	CASE ASSY	1	205	-						
23A	45360-70040-7	LOUVER	1	205	-						
24A	34000-70920-7	SEAL	1	205	-						

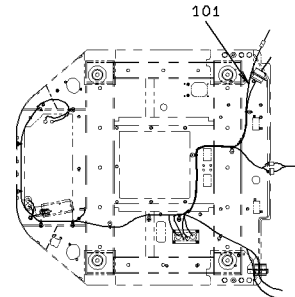
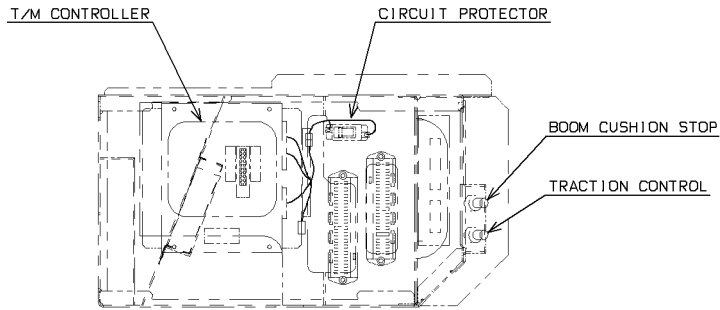
LIFT ARM (HIGH LIFT ARM SPEC)

SYM-BOL	PART NUMBER	PART NAME	UNIT Q,TY	SERIAL		REMARKS						
				(A)	(B)	N	P	D	(A)	(B)	(C)	(D)
2A	34820-64830	CYLINDER ASSY,OIL	1	201	-							REF.062-1(LH)
3A	34820-64840	CYLINDER ASSY,OIL	1	201	-							REF.062-301(RH)
6A	68878-60225	HOSE,HIGH PRESSURE	2	201	-							
7A	68877-60218	HOSE,HIGH PRESSURE	2	201	-							
11A	30040-23730	ARM ASSY,LIFT	1	201	-				Y01			
28A	40840-25510	BUSHING	2	201	-				01			
29A	40840-25520	BUSHING	2	201	-				01			
31A	40840-24890	BUSHING	2	201	-				01			
32A	40840-24840	BUSHING	2	201	-				01			
33A	40840-24860	BUSHING	4	201	-				01			
34A	65051-03113	SEAL,DUST	4	201	-				01			
35A	65051-03513	SEAL,DUST	4	201	-				01			
106A	41621-20340	BOSS	2	201	-				01			WELDING
111A	41604-21130	PLATE	1	201	-							WELDING
121A	41616-39700	PLATE	1	201	-							WELDING
131A	38701-24180	PIPE ASSY	1	201	-							FR LH
141A	38701-24190	PIPE ASSY	1	201	-							FR RH

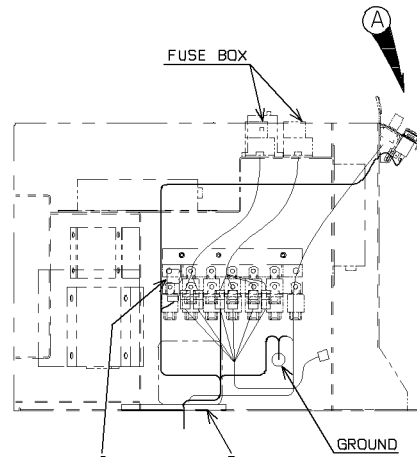
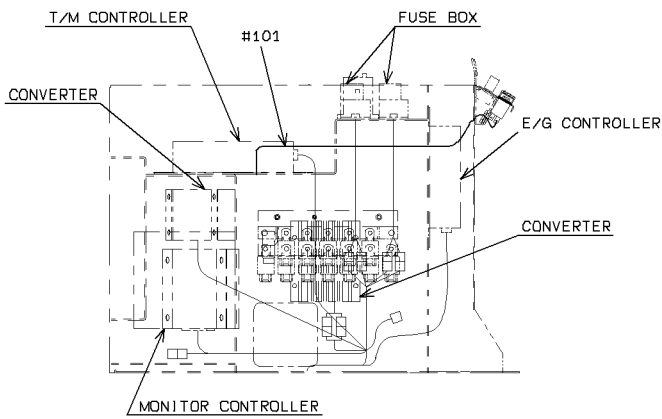
RIDE CONTROL - ACCUMULATOR

SYM-BOL	PART NUMBER	PART NAME	UNIT Q,TY	SERIAL		REMARKS						
				(A)	(B)	N	P	D	(A)	(B)	(C)	(D)
000A	30100-60550-7	ACCUMULATOR ASSY	2	201	-							
2A	32210-72380-7	CAP	1	201	-							
3A	32210-72390-7	CAP	1	201	-							
4A	39960-72210-7	PISTON	1	201	-							
5A	47131-76010-7	RING,O	1	201	-							
6A	45200-71330-7	RING	2	201	-							
7A	34000-70940-7	SEAL	2	201	-							
8A	38511-71330-7	VALVE ASSY	1	201	-			Y01				
9A	48979-70060-7	PROTECTOR	1	201	-							
10A	41678-70040-7	PLATE,NAME	1	201	-							
14A	46000-71620-7	WASHER	2	201	-							
15A	46000-71660-7	WASHER	2	201	-							46000-71500-7
16A	47131-75760-7	RING,O	1	201	-			01				
17A	35100-71970-7	SCREW	2	201	-							

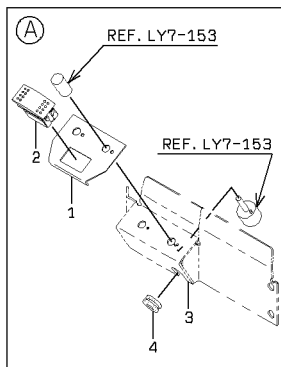
CABLE MOUNT (FOR ELS)



FLOOR BOTTOM VIEW



- 6
- 51
- 52
- 53



2-A

CLICK HERE TO **DOWNLOAD** THE COMPLETE MANUAL

- Thank you very much for reading the preview of the manual.
- You can download the complete manual from: www.heydownloads.com by clicking the link below



- Please note: If there is no response to CLICKING the link, please download this PDF first and then click on it.

CLICK HERE TO **DOWNLOAD** THE COMPLETE MANUAL