



SUPPLEMENT

September 2006

PARTS CATALOG

WHEEL LOADER

135Z V

HOT SLAG SPEC.

Powered by CUMMINS QST30-C Engine

Serial No. 13C1-0201 ~

CLICK HERE TO **DOWNLOAD** THE COMPLETE MANUAL

- Thank you very much for reading the preview of the manual.
- You can download the complete manual from: www.heydownloads.com by clicking the link below



- Please note: If there is no response to CLICKING the link, please download this PDF first and then click on it.

CLICK HERE TO **DOWNLOAD** THE COMPLETE MANUAL

CONTENTS II

FRONT CHASSIS GROUP
.....p.1

REAR CHASSIS GROUP
.....p.3

FUEL TANK GROUP
.....p.5

OIL TANK GROUP
.....p.7

FLOOR BOARD GROUP
.....p.9

STEP & HANDRAIL GROUP
.....p.11

REAR GRILLE GROUP
.....p.13

REFER TO STANDARD DETAILS REF. 117-001 FOR RE PANEL PARTS.

WIND SHIELD GROUP
.....p.15

REFER TO STANDARD DETAILS REF. 117-001 FOR RE PANEL PARTS.

COVER MOUNT
.....p.17

MEMO

FLOOR BOARD GROUP

SYM-BOL	PART NUMBER	PART NAME	UNIT Q,TY	SERIAL (A) - (B)	REMARKS					
					N	P	D	(A)	(B)	(C)
1A	03501-80080	PLATE	1	201 -						FR LH
2A	03501-80090	PLATE	1	201 -						FR RH
3A	41641-45330	PLATE	1	201 -						FR LH
4A	41641-45340	PLATE	1	201 -						FR RH
5A	41619-20940	PLATE	4	201 -						
7A	46011-20180	WASHER,PLANE	8	201 -						
11A	43780-24110	BOSS	4	201 -						WELDING
51A	61802-10016	BOLT,FLANGED	8	201 -						
52A	61802-08020	BOLT,FLANGED	8	201 -						

MEMO

ELECTRICAL WIRING - FRONT CHASSIS

SYM-BOL	PART NUMBER	PART NAME	UNIT Q, TY	SERIAL		REMARKS						
				(A)	(B)	N	P	D	(A)	(B)	(C)	(D)
1A	32923-70120	CLAMP,HOSE	A/R	201	-							FR M8
2A	32923-70140	CLAMP,HOSE	A/R	201	-							L=202
3A	72001-11000	HOLDER,PIPE	A/R	201	-							D=10
4A	69002-05200	BAND,HOSE	1	201	-							
6A	34041-22860	STRIP, SEAL	2	201	-							L=70
7A	65801-31060	BUSHING,ELASTIC	2	201	-							
8A	65801-40120	BUSHING,ELASTIC	2	201	-							
11A	43550-60100	HOLDER	A/R	201	-							
12A	43571-60060	HOLDER,SPRING	A/R	201	-							DT12 POLE
13A	69081-23000	TUBE, SPIRAL	1 M	201	-							L=600 X Q'TY 2
14A	36729-20030	TUBE, SPIRAL	1	201	-							L=1000
15A	65801-10060	BUSHING,ELASTIC	1	201	-							
21A	33193-55780	CABLE ASSY	1	201	-							
51A	62401-81101	NUT	1	201	-							
52A	62721-10100	WASHER,SPRING	1	201	-							
53A	46011-21650	WASHER,PLANE	2	201	-							
54A	62256-51610	SCREW	A/R	201	-							
55A	62721-06100	WASHER,SPRING	A/R	201	-							
56A	62401-81081	NUT	2	201	-							
57A	62721-08100	WASHER,SPRING	2	201	-							
58A	46011-21640	WASHER,PLANE	4	201	-							
59A	61802-08020	BOLT,FLANGED	A/R	201	-							
101A	37014-70040	TAPE,INSULATION	1	201	-							

TRANSMISSION HYDRAULIC LINE

SYM-BOL	PART NUMBER	PART NAME	UNIT Q, TY	SERIAL		REMARKS						
				(A)	(B)	N	P	D	(A)	(B)	(C)	(D)
1A	43113-53350	HOSE,HIGH PRESSURE	1	201	-							
2A	43113-53340	HOSE,HIGH PRESSURE	1	201	-							
4A	43113-53360	HOSE,HIGH PRESSURE	1	201	-							
39A	43113-53370	HOSE,HIGH PRESSURE	1	201	-							
43A	43113-53380	HOSE,HIGH PRESSURE	1	201	-							
44A	43113-53390	HOSE,HIGH PRESSURE	1	201	-							
401A	30610-21430	INSULATOR	1	201	-							L=560
402A	30610-21450	INSULATOR	1	201	-							L=1770
421A	32923-70140	CLAMP,HOSE	A/R	201	-							L=202

CLICK HERE TO **DOWNLOAD** THE COMPLETE MANUAL

- Thank you very much for reading the preview of the manual.
- You can download the complete manual from: www.heydownloads.com by clicking the link below



- Please note: If there is no response to CLICKING the link, please download this PDF first and then click on it.

CLICK HERE TO **DOWNLOAD** THE COMPLETE MANUAL

BRAKE LINE - FLOOR BOARD

SYM-BOL	PART NUMBER	PART NAME	UNIT Q, TY	SERIAL		REMARKS					
				(A)	(B)	N	P	D	(A)	(B)	(C)
3A	38706-26530	PIPE ASSY, FLARED	1	201	-						
4A	38706-26540	PIPE ASSY, FLARED	1	201	-						
5A	43113-53460	HOSE, HIGH PRESSURE	2	201	-						
6A	43113-51370	HOSE, HIGH PRESSURE	1	201	-						
7A	38706-25410	PIPE ASSY, FLARED	1	201	-						
8A	38706-25420	PIPE ASSY, FLARED	1	201	-						
11A	38706-26550	PIPE ASSY, FLARED	1	201	-						
18A	38706-25440	PIPE ASSY, FLARED	1	201	-						
26A	38706-25450	PIPE ASSY, FLARED	1	201	-						
33A	43113-53470	HOSE, HIGH PRESSURE	1	201	-						

MEMO

VALVE MOUNT (FOR PARKING BRAKE OVERRIDE)

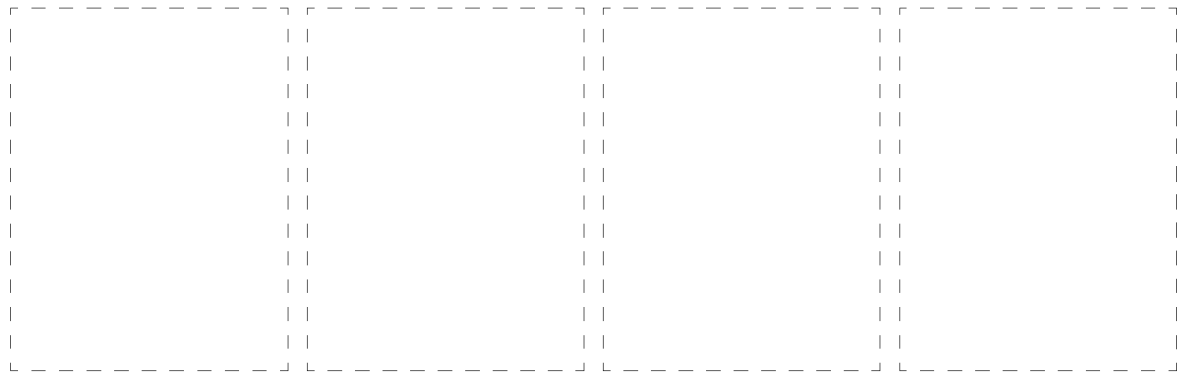
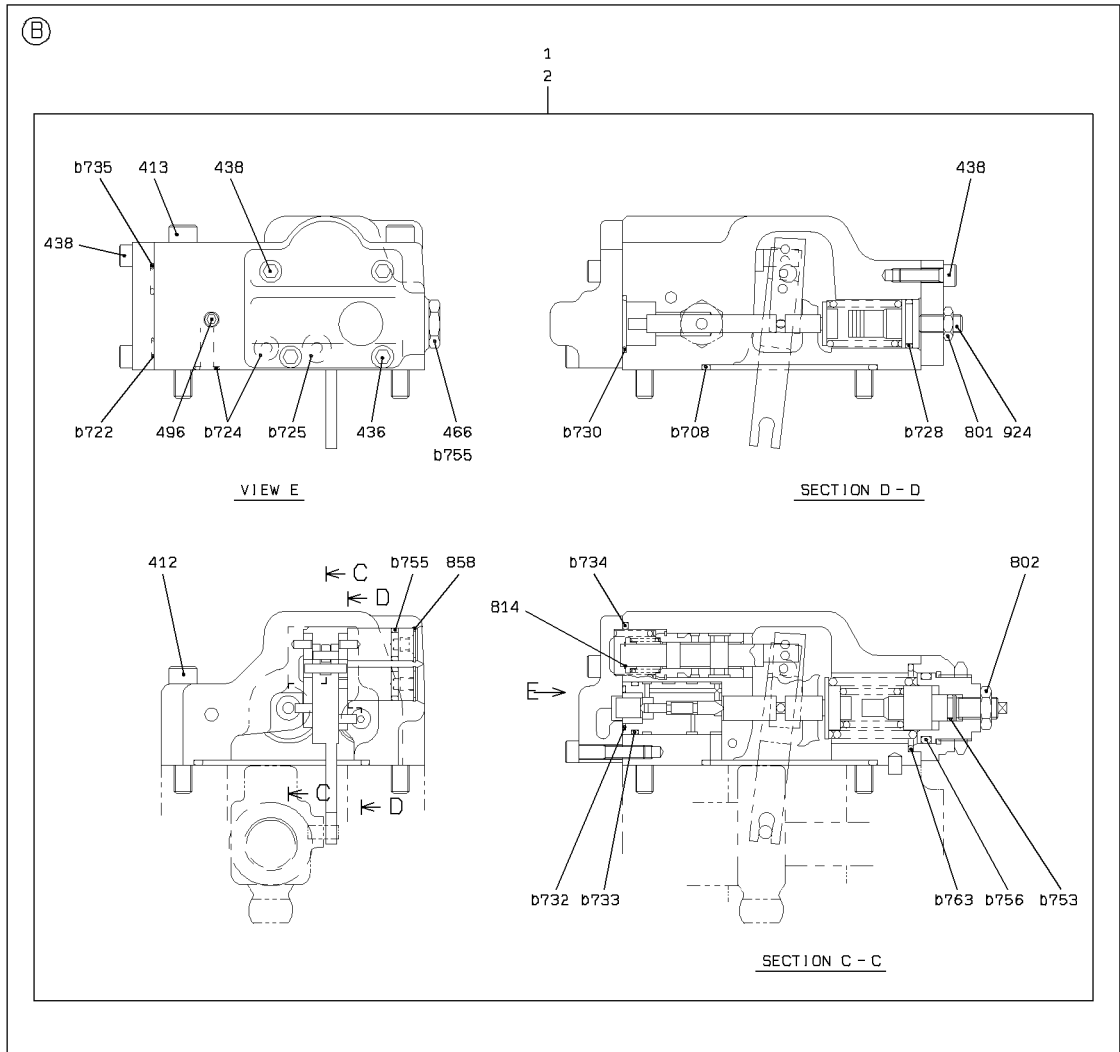
SYM-BOL	PART NUMBER	PART NAME	UNIT Q,TY	SERIAL		REMARKS							
				(A)	(B)	N	P	D	(A)	(B)	(C)	(D)	REMARK
2A	41751-30010	PLATE	1	201	-								
12A	88241-07106	ADAPTER,ELBOW	2	201	-					Y01			
13A	88201-06706	ADAPTER	1	201	-					Y01			
14A	88511-03060	NIPPLE,HOSE	1	201	-								
21A	65210-12014	RING,O	1	201	-					01			
31A	41410-35470	BLOCK	1	201	-								
32A	38511-71470	VALVE ASSY	1	201	-					Y02			
33A	35910-70390	SOLENOID	1	201	-								
34A	37810-60200	KNOB	1	201	-								
41A	49327-72080	SEAL KIT	1	201	-					02			
51A	61802-10080	BOLT,FLANGED	2	201	-								
52A	61802-12020	BOLT,FLANGED	2	201	-								

PILOT HYDRAULIC LINE - FRONT CHASSIS

SYM-BOL	PART NUMBER	PART NAME	UNIT Q, TY	SERIAL		REMARKS						
				(A)	(B)	N	P	D	(A)	(B)	(C)	(D)
111A	43113-53240	HOSE,HIGH PRESSURE	1	201	-							
112A	43113-41250	HOSE,HIGH PRESSURE	1	201	-							
113A	43113-30910	HOSE,HIGH PRESSURE	1	201	-							
114A	43113-53250	HOSE,HIGH PRESSURE	1	201	-							
115A	43113-53260	HOSE,HIGH PRESSURE	1	201	-							
117A	43113-53270	HOSE,HIGH PRESSURE	1	201	-							
121A	43113-53280	HOSE,HIGH PRESSURE	1	201	-							
124A	43113-53290	HOSE,HIGH PRESSURE	1	201	-							
125A	43113-53300	HOSE,HIGH PRESSURE	1	201	-							

OIL PUMP

(NOTE): KIT (SYMBOL 700) CONSISTS OF THE PARTS WITH b.



2-A

44083-61730

CLICK HERE TO **DOWNLOAD** THE COMPLETE MANUAL

- Thank you very much for reading the preview of the manual.
- You can download the complete manual from: www.heydownloads.com by clicking the link below



- Please note: If there is no response to CLICKING the link, please download this PDF first and then click on it.

CLICK HERE TO **DOWNLOAD** THE COMPLETE MANUAL