

N39940

-UN-01JAN94



*JOHN DEERE 9960 COTTON PICKER  
(MANUFACTURED 1989 - 1992)*

*(SPECIFICATIONS AND DESIGN ARE SUBJECT TO CHANGE WITHOUT NOTICE.)*

CLICK HERE TO **DOWNLOAD** THE COMPLETE MANUAL

- Thank you very much for reading the preview of the manual.
- You can download the complete manual from: [www.heydownloads.com](http://www.heydownloads.com) by clicking the link below



- Please note: If there is no response to CLICKING the link, please download this PDF first and then click on it.

CLICK HERE TO **DOWNLOAD** THE COMPLETE MANUAL

**ALPHABETICAL INDEX - CONTINUED**

| <i>GRID</i> |   | <i>PAGE</i> | <i>GRID</i> |  | <i>PAGE</i> |
|-------------|---|-------------|-------------|--|-------------|
| 3H2         | COTTON DOORS (CONVENTIONAL UNITS) .....                           | 150 - 2     | 3J12        | DECAL SET, PICKING UNIT.....   | 170 - 1     |
| 3H13        | COTTON FAN ASSEMBLY, COMPLETE .....                               | 150 - 14    | 3J15        | DECALS .....   | 170 - 4     |
| 2G2         | COTTON FAN COVER .....  | 80 - 15     | 3J13        | DECALS, CHASSIS .....  | 170 - 2     |
| 3D15        | COUNTERSHAFT, UNIT DRIVE<br>(CONVENTIONAL UNITS).....             | 120 - 4     | 1H16        | DIAGRAM, WIRING, CAB .....   | 40 - 21     |
| 3D13        | COUNTERSHAFT, UNIT DRIVE<br>(IN-LINE UNITS) .....                 | 120 - 2     | 1J1         | DIFFERENTIAL GEARS .....   | 50 - 12     |
| 1G24        | COVER STARTER SOLENOID (NIPPONDENSO).....                         | 40 - 5      | 1J1         | DIFFERENTIAL SHAFTS.....   | 50 - 12     |
| 2G2         | COVER, COTTON FAN .....   | 80 - 15     | 1H12        | DIMMER SWITCH .....  | 40 - 17     |
| 2H23        | COVER, DOOR TRACK .....   | 90 - 28     | 1D2         | DIPSTICK, ENGINE OIL (ESN -499999) .....                                   | 20 - 48     |
| 1I20        | COVER, HOUSING, TRANSMISSION AND<br>DIFFERENTIAL .....            | 50 - 7      | 1D3         | DIPSTICK, ENGINE OIL (ESN 500000- ) .....                                  | 20 - 49     |
| 1J16        | COVER, HYDROSTATIC DRIVE PUMP.....                                | 50 - 28     | 1H22        | DISPLAY, MONITOR .....   | 40 - 27     |
| 1J20        | COVER, HYDROSTATIC DRIVE PUMP.....                                | 50 - 32     | 3E24        | DOFFER .....   | 120 - 40    |
| 1C13        | COVER, INJECTION PUMP ACCESS<br>(ESN -499999).....                | 20 - 33     | 3F3         | DOFFER DRIVE IDLER GEAR<br>(UPPER HOUSING DRIVE)(IN-LINE UNITS).....       | 120 - 44    |
| 1C14        | COVER, INJECTION PUMP ACCESS<br>(ESN 500000- ).....               | 20 - 34     | 3F2         | DOFFER DRIVE TIGHTENER SPROCKET .....                                      | 120 - 43    |
| 3C17        | COVER, INSPECTION (CONVENTIONAL UNITS)<br>(S.N. 112-4000) .....   | 110 - 38    | 3F1         | DOFFER GAGES.....  | 120 - 42    |
| 3C19        | COVER, INSPECTION (CONVENTIONAL UNITS)<br>(S.N. 4001- ) .....     | 110 - 40    | 1H15        | DOME LIGHT (ROCKER TYPE).....  | 40 - 20     |
| 1B8         | COVER, ROCKER ARM (EARLY DESIGN) .....                            | 20 - 2      | 2H23        | DOOR CAB (SOUND-GARD CAB) .....  | 90 - 28     |
| 1B9         | COVER, ROCKER ARM (LATE DESIGN) .....                             | 20 - 3      | 3H4         | DOOR, COTTON, LARGE OUTSIDE (IN-LINE).....                                 | 150 - 4     |
| 2G3         | COVER, STABILIZER CYLINDER.....                                   | 80 - 16     | 3H5         | DOOR, COTTON, SMALL INSIDE (IN-LINE) .....                                 | 150 - 5     |
| 1C13        | COVER, TIMING GEAR (ESN -499999) .....                            | 20 - 33     | 3C25        | DOOR, FRONT AND OUTER SIDE SWING<br>(CONVENTIONAL UNITS).....              | 110 - 46    |
| 1C14        | COVER, TIMING GEAR (ESN 500000- ) .....                           | 20 - 34     | 3D1         | DOOR, INNER PICKING UNIT, SKIP-ROW<br>(CONVENTIONAL UNITS).....            | 110 - 47    |
| 1B8         | COVER, VALVE<br>(EARLY DESIGN) .....                              | 20 - 2      | 3H2         | DOOR, SUCTION (CONVENTIONAL UNITS) .....                                   | 150 - 2     |
| 1B9         | COVER, VALVE (LATE DESIGN) .....                                  | 20 - 3      | 3H2         | DOOR, TRANSITION (CONVENTIONAL UNITS).....                                 | 150 - 2     |
| 2I4         | COVERS AND INNER ROOF .....                                       | 90 - 34     | 3H2         | DOORS, COTTON (CONVENTIONAL UNITS).....                                    | 150 - 2     |
| 1C8         | CRANKSHAFT (ESN -499999) .....                                    | 20 - 28     | 3B23        | DOORS, UNIT (IN-LINE UNITS) .....  | 110 - 20    |
| 1C9         | CRANKSHAFT (ESN 500000- ) .....                                   | 20 - 29     | 2I18        | DRIER, HOSES AND FITTINGS .....  | 90 - 48     |
| 1C10        | CRANKSHAFT DAMPER .....   | 20 - 30     | 1C8         | DRIVE GEAR, OIL PUMP (ESN -499999).....                                    | 20 - 28     |
| 1C14        | CRANKSHAFT FRONT OIL SEAL<br>(ESN 500000- ).....                  | 20 - 34     | 1C9         | DRIVE GEAR, OIL PUMP (ESN 500000- ).....                                   | 20 - 29     |
| 1C10        | CRANKSHAFT PULLEY .....   | 20 - 30     | 3E3         | DRIVE HOUSING, INNER<br>(CONVENTIONAL UNITS) (S.N. 112-2000).....          | 120 - 18    |
| 3D25        | CROSS SHAFT AND SHIELD.....                                       | 120 - 15    | 3E7         | DRIVE HOUSING, INNER<br>(CONVENTIONAL UNITS) (S.N. 2001- ).....            | 120 - 22    |
| 1B22        | CYLINDER BLOCK (ESN -499999) .....                                | 20 - 16     | 3D23        | DRIVE HOUSING, INNER<br>(IN-LINE UNITS) .....                              | 120 - 12    |
| 1B24        | CYLINDER BLOCK FITTINGS<br>(ESN 500000- ).....                    | 20 - 18     | 3D21        | DRIVE HOUSING, MIDDLE<br>(NO. 4 UNIT OF 5 ROW IN-LINE PICKER).....         | 120 - 10    |
| 1B10        | CYLINDER HEAD (ESN -499999).....                                  | 20 - 4      | 3E5         | DRIVE HOUSING, OUTER<br>(CONVENTIONAL UNITS) (S.N. 112-2000).....          | 120 - 20    |
| 1B12        | CYLINDER HEAD (ESN 500000- ).....                                 | 20 - 6      | 3E8         | DRIVE HOUSING, OUTER<br>(CONVENTIONAL UNITS) (S.N. 2001- ).....            | 120 - 23    |
| 1B10        | CYLINDER HEAD BOLTS (ESN -499999) .....                           | 20 - 4      | 3D22        | DRIVE HOUSING, OUTER<br>(IN-LINE UNITS) .....                              | 120 - 11    |
| 1B12        | CYLINDER HEAD BOLTS (ESN 500000- ) .....                          | 20 - 6      | 1J8         | DRIVE SHAFT, FINAL DRIVE.....  | 50 - 20     |
| 1B10        | CYLINDER HEAD GASKET (ESN -499999).....                           | 20 - 4      | 2G5         | DRIVE WHEELS .....   | 80 - 18     |
| 1B12        | CYLINDER HEAD GASKET (ESN 500000- ).....                          | 20 - 6      | 3J8         | DRIVE, CONVEYOR .....  | 160 - 38    |
| 1E1         | CYLINDER HEAD GASKET KIT<br>(ESN 500000- ).....                   | 20 - 72     | 1J10        | DRIVE, HYDROSTATIC MOTOR .....   | 50 - 22     |
| 1D24        | CYLINDER HEAD GASKET KIT (ESN -499999) .....                      | 20 - 70     | 3E3         | DRIVE, INNER UNIT, GEAR CASE<br>(CONVENTIONAL UNITS) (S.N. 112-2000).....  | 120 - 18    |
| 1B21        | CYLINDER LINERS .....   | 20 - 15     | 3E7         | DRIVE, INNER UNIT, GEAR CASE<br>(CONVENTIONAL UNITS) (S.N. 2001- ).....    | 120 - 22    |
| 3I5         | CYLINDER LUBRICATION LINES .....                                  | 160 - 10    | 3D23        | DRIVE, INNER UNIT, GEAR CASE<br>(IN-LINE UNITS) .....                      | 120 - 12    |
| 2F6         | CYLINDER, AXLE STABILIZER 3-1/2" X 10"<br>(AXLE STABILIZER) ..... | 70 - 74     | 3D21        | DRIVE, MIDDLE UNIT, GEAR CASE<br>(NO. 4 UNIT OF 5 ROW IN-LINE PICKER)..... | 120 - 10    |
| 2F5         | CYLINDER, BASKET DUMP .....                                       | 70 - 73     | 3E5         | DRIVE, OUTER UNIT, GEAR CASE<br>(CONVENTIONAL UNITS) (S.N. 112-2000).....  | 120 - 20    |
| 2C7         | CYLINDER, BRAKE SLAVE .....                                       | 60 - 32     | 3E8         | DRIVE, OUTER UNIT, GEAR CASE<br>(CONVENTIONAL UNITS) (S.N. 2001- ).....    | 120 - 23    |
| 2C1         | CYLINDER, BRAKE, MASTER .....                                     | 60 - 26     | 3D22        | DRIVE, OUTER UNIT, GEAR CASE<br>(IN-LINE UNITS) .....                      | 120 - 11    |
| 2F7         | CYLINDER, STEERING .....  | 70 - 75     | 1J22        | DRIVE, PUMP, HYDROSTATIC .....   | 50 - 34     |
| 2F3         | CYLINDER, UNIT LIFT<br>(CONVENTIONAL UNITS).....                  | 70 - 71     | 3E11        | DRUM SLIP CLUTCH AND IDLER GEARS.....                                      | 120 - 26    |
| 2F4         | CYLINDER, UNIT LIFT (IN-LINE UNITS) .....                         | 70 - 72     | 2C3         | DRUM, BRAKE.....   | 60 - 28     |
|             |   |             | 3E20        | DRUM, PICKER BAR.....  | 120 - 36    |
|             |   |             | 1G17        | DRY AIR CLEANER ELEMENT CLEANING GUN.....                                  | 30 - 64     |
| <b>D</b>    |   |             |             |  |             |
| 1C10        | DAMPER, CRANKSHAFT .....  | 20 - 30     |             |  |             |
| 3J14        | DECAL SET, CHASSIS .....  | 170 - 3     |             |  |             |

**ALPHABETICAL INDEX - CONTINUED**

| <i>GRID</i> |  | <i>PAGE</i> | <i>GRID</i> |   | <i>PAGE</i> |
|-------------|--|-------------|-------------|---|-------------|
| 2H15        | SUPPORT, SEAT SUSPENSION .....                                       | 90 - 19     | 1D2         | TUBE, ENGINE OIL DIPSTICK<br>(ESN -499999).....                             | 20 - 48     |
| 3G6         | SUPPORT, WATER PUMP .....  | 140 - 6     | 1D3         | TUBE, ENGINE OIL DIPSTICK<br>(ESN 500000- ).....                            | 20 - 49     |
| 2F22        | SUPPORTS, ENGINE HOOD .....  | 80 - 10     | 1B8         | TUBE, ENGINE VENTILATOR OUTLET<br>(EARLY DESIGN) .....                      | 20 - 2      |
| 2F24        | SUPPORTS, RADIATOR .....   | 80 - 12     | 1E7         | TUBES, ENGINE AIR INTAKE .....  | 30 - 2      |
| 1J18        | SWASHPLATE, HYDROSTATIC PUMP .....                                   | 50 - 30     | 2J9         | TUBES, STABILIZER ROCKSHAFT<br>(CONVENTIONAL UNITS).....                    | 100 - 8     |
| 1H1         | SWITCH (NIPPONDENSO) (12V F4) .....                                  | 40 - 6      | 1E13        | TURBOCHARGER (ESN -499999) .....  | 30 - 8      |
| 1H23        | SWITCH, AIR .....  | 40 - 28     | 1E15        | TURBOCHARGER (ESN 500000- ) .....   | 30 - 10     |
| 1H12        | SWITCH, DIMMER .....   | 40 - 17     | 1E17        | TURBOCHARGER CENTER HOUSING .....   | 30 - 13     |
| 1G23        | SWITCH, STARTER SOLENOID (6076).....                                 | 40 - 4      | 1E18        | TURBOCHARGER CENTER HOUSING .....   | 30 - 14     |
| 1G22        | SWITCH, UNIT LIFT .....  | 40 - 3      | 1E19        | TURBOCHARGER CENTER HOUSING (6076) .....                                    | 30 - 15     |
| 2I8         | SWITCHES, AIR CONDITIONER .....                                      | 90 - 38     | 1E15        | TURBOCHARGER GASKET<br>(ESN 500000- ).....                                  | 30 - 10     |
| <b>T</b>    |  |             |             |   |             |
| 1B20        | TACHOMETER.....  | 20 - 14     | 1E13        | TURBOCHARGER GASKET (ESN -499999) .....                                     | 30 - 8      |
| 1H13        | TAIL LAMP .....  | 40 - 18     | 1E13        | TURBOCHARGER OIL LINES<br>(ESN -499999).....                                | 30 - 8      |
| 1F1         | TANK, FUEL.....  | 30 - 22     | 1E15        | TURBOCHARGER OIL LINES<br>(ESN 500000- ).....                               | 30 - 10     |
| 3F7         | TANK, LUBRICATION .....  | 130 - 2     | 1H11        | TURN SIGNAL CONTROL AND WIRING HARNESS ...                                  | 40 - 16     |
| 1D10        | TANK, OVERFLOW, RADIATOR .....                                       | 20 - 56     | <b>U</b>    |   |             |
| 3G2         | TANK, WATER.....   | 140 - 2     | 3B23        | UNIT DOORS (IN-LINE UNITS) .....  | 110 - 20    |
| 3G4         | TANK, WATER, REMOTE FILL.....  | 140 - 4     | 3D13        | UNIT DRIVE COUNTERSHAFT<br>(IN-LINE UNITS) .....                            | 120 - 2     |
| 1I4         | TERMINAL AND WIRING KIT .....  | 40 - 34     | 3D15        | UNIT DRIVE COUNTERSHAFT & SLIP CLUTCH<br>(CONVENTIONAL UNITS).....          | 120 - 4     |
| 1I12        | TERMINALS AND CONNECTORS .....                                       | 40 - 42     | 3E3         | UNIT DRIVE GEAR CASE, INNER<br>(CONVENTIONAL UNITS) (S.N. 112-2000) .....   | 120 - 18    |
| 1I10        | TERMINALS, ELECTRICAL, WEATHERPACK.....                              | 40 - 40     | 3E7         | UNIT DRIVE GEAR CASE, INNER<br>(CONVENTIONAL UNITS) (S.N. 2001- ) .....     | 120 - 22    |
| 2I25        | TETHER, OPERATOR PRESENCE BYPASS .....                               | 90 - 55     | 3D23        | UNIT DRIVE GEAR CASE, INNER<br>(IN-LINE UNITS) .....                        | 120 - 12    |
| 1D15        | THERMOSTAT HOUSING, FRONT<br>(EARLY DESIGN) .....                    | 20 - 61     | 3D21        | UNIT DRIVE GEAR CASE, MIDDLE<br>(NO. 4 UNIT OF 5 ROW IN-LINE PICKER).....   | 120 - 10    |
| 1D16        | THERMOSTAT HOUSING, FRONT<br>(ESN 500000- ).....                     | 20 - 62     | 3E5         | UNIT DRIVE GEAR CASE, OUTER<br>(CONVENTIONAL UNITS) (S.N. 112-2000) .....   | 120 - 20    |
| 1G13        | THROTTLE LEVER (S.N. 101-111) .....                                  | 30 - 60     | 3E8         | UNIT DRIVE GEAR CASE, OUTER<br>(CONVENTIONAL UNITS) (S.N. 2001- ) .....     | 120 - 23    |
| 1G15        | THROTTLE LEVER (S.N. 112- ) .....                                    | 30 - 62     | 3D22        | UNIT DRIVE GEAR CASE, OUTER<br>(IN-LINE UNITS) .....                        | 120 - 11    |
| 1C11        | THRUST BEARING .....   | 20 - 31     | 3D19        | UNIT DRIVE UNIVERSAL JOINT<br>(CONV. UNITS, SKIP-ROW).....                  | 120 - 8     |
| 2G9         | TIE RODS, REAR AXLE .....  | 80 - 22     | 3D17        | UNIT DRIVE UNIVERSAL JOINT<br>(CONVENTIONAL UNITS).....                     | 120 - 6     |
| 3F2         | TIGHTENER, DOFFER DRIVE .....  | 120 - 43    | 3D18        | UNIT DRIVE UNIVERSAL JOINT<br>(IN-LINE UNITS) .....                         | 120 - 7     |
| 1C13        | TIMING GEAR COVER (ESN -499999) .....                                | 20 - 33     | 2C22        | UNIT LIFT & HEIGHT SENSING HYDRAULIC<br>LINES (S.N. 101-111) IN-LINE .....  | 70 - 14     |
| 1C14        | TIMING GEAR COVER (ESN 500000- ) .....                               | 20 - 34     | 2D1         | UNIT LIFT & HEIGHT SENSING HYDRAULIC<br>LINES & HOSES (IN-LINE UNITS) ..... | 70 - 18     |
| 1C13        | TIMING GEAR COVER GASKET<br>(ESN -499999).....                       | 20 - 33     | 2C24        | UNIT LIFT & HEIGHT SENSING HYDRAULIC<br>LINES AND HOSES (CONV. UNITS).....  | 70 - 16     |
| 1C14        | TIMING GEAR COVER GASKET<br>(ESN 500000- ).....                      | 20 - 34     | 2J3         | UNIT LIFT ARMS (IN-LINE UNITS) .....  | 100 - 2     |
| 2J6         | TOP LINK STABILIZER (IN-LINE UNITS) .....                            | 100 - 5     | 2J11        | UNIT LIFT CONTROL VALVE LINKAGE .....                                       | 100 - 10    |
| 3C9         | TOP PLATE, UPPER HOUSING<br>(CONVENTIONAL UNITS).....                | 110 - 30    | 2F3         | UNIT LIFT CYLINDER<br>(CONVENTIONAL UNITS).....                             | 70 - 71     |
| 3I19        | TOP, BASKET .....  | 160 - 24    | 2F4         | UNIT LIFT CYLINDER (IN-LINE UNITS) .....                                    | 70 - 72     |
| 2F13        | TOW ANCHOR.....  | 80 - 1      | 2J2         | UNIT LIFT FRAME AND EXTENSIONS<br>(IN-LINE UNITS) .....                     | 100 - 1     |
| 1G10        | TRANSFER PUMP, FUEL (EARLY DESIGN)<br>(ROBERT BOSCH) .....           | 30 - 57     | 2J13        | UNIT LIFT LEVERS .....  | 100 - 12    |
| 1G11        | TRANSFER PUMP, FUEL (NIPPONDENSO)<br>(ESN -129467).....              | 30 - 58     | 1G22        | UNIT LIFT SWITCH .....  | 40 - 3      |
| 1G12        | TRANSFER PUMP, FUEL (ROBERT BOSCH)<br>(ESN 500000- ).....            | 30 - 59     |             |   |             |
| 3F19        | TRANSFER PUMP, LUBRICATION .....                                     | 130 - 14    |             |   |             |
| 1I19        | TRANSMISSION AND DIFFERENTIAL HOUSING<br>AND SHIFTER FORKS .....     | 50 - 5      |             |   |             |
| 1I20        | TRANSMISSION AND DIFFERENTIAL HOUSING<br>COVER AND SHIFTER CAM ..... | 50 - 7      |             |   |             |
| 1I15        | TRANSMISSION BRACKETS .....  | 50 - 1      |             |   |             |
| 1I21        | TRANSMISSION INPUT SHAFT, GEARS, LUBE<br>PUMP AND BEARINGS .....     | 50 - 8      |             |   |             |
| 1I23        | TRANSMISSION PINION SHAFT, GEARS AND<br>BEARINGS.....                | 50 - 10     |             |   |             |
| 1J4         | TRANSMISSION UNIT DRIVE SHAFT AND<br>BEARINGS.....                   | 50 - 15     |             |   |             |
| 3H10        | TUBE, AIR (CONVENTIONAL UNITS) .....                                 | 150 - 11    |             |   |             |
| 3H11        | TUBE, AIR (IN-LINE) .....  | 150 - 12    |             |   |             |

# 1B13

ENGINE

**CYLINDER HEAD AND VALVES - CONTINUED**  
**(6076AN030) (MACHINE SERIAL NO. 4001- )**  
**(ENGINE SERIAL NO. 500000- )**

| KEY | PART NO. | PART NAME                   | QTY | ENGINE SERIAL NO. | REMARKS   |
|-----|----------|-----------------------------|-----|-------------------|---|
| 1   | T20129   | CAP                         | 12  |                   | (OPTION 4901)   |
| 2   | T20077   | RETAINER                    | 24  |                   |   |
| 3   | RE11410  | ROTATOR                     | 12  |                   |   |
| 4   | R91822   | SPRING                      | 12  |                   |   |
| 5   | R102882  | SHIELD                      | 6   |                   | (C)   |
| 6   | R110289  | CAP SCREW                   | 7   |                   | (A)   |
| 7   | R121491  | CAP SCREW                   | 7   |                   | (B) (F)   |
|     | R110288  | CAP SCREW                   | 8   |                   | (A)   |
|     | R121490  | CAP SCREW                   | 8   |                   | (B) (F)   |
| 8   | R88043   | SCREW                       | 6   |                   | (A) 14.288 X 134.100 MM (0.563" X 5.280")   |
|     | R121320  | CAP SCREW                   | 6   |                   | (B) (F)   |
| 9   | 15H690   | PIPE PLUG                   | 10  |                   | 3/4"  |
| 10  | 15H624   | PIPE PLUG                   | 3   |                   | 1/2"  |
| 11  | AT107509 | PLUG                        | 1   |                   |   |
| 12  | R84976   | VALVE SEAT INSERT           | 6   |                   | (D)   |
| 13  | R93350   | VALVE SEAT INSERT           | AR  |                   | 0.25MM (.010") OS   |
|     | R84977   | VALVE SEAT INSERT           | 6   |                   | (E)   |
|     | R93349   | VALVE SEAT INSERT           | AR  |                   | 0.25MM (.010") OS   |
| 14  | 34H387   | SPRING PIN                  | 1   |                   | 3/16" X 3/4"  |
| 15  | RE501737 | PIPE PLUG                   | 1   |                   | (SUB FOR R76491)  |
| 16  | R84618   | INTAKE VALVE                | 6   |                   | STD   |
| 17  | R93308   | INTAKE VALVE                | AR  |                   | 0.08MM (.003") OS   |
|     | R93312   | INTAKE VALVE                | AR  |                   | 0.38MM (.015") OS   |
|     | R93314   | INTAKE VALVE                | AR  |                   | 0.76MM (.030") OS   |
| 18  | R84619   | EXHAUST VALVE               | 6   |                   | STD   |
|     | R93311   | EXHAUST VALVE               | AR  |                   | 0.08MM (.003") OS   |
|     | R93313   | EXHAUST VALVE               | AR  |                   | 0.38MM (.015") OS   |
|     | R93315   | EXHAUST VALVE               | AR  |                   | 0.76MM (.030") OS   |
| 18  | RE42741  | CYLINDER HEAD               | 1   |                   | (MARKED R102932) (SUB RE58516)  |
|     | RE58516  | CYLINDER HEAD               | 1   |                   | (MARKED R122112 OR R122491)   |
| 19  | RE47336  | ENGINE CYLINDER HEAD GASKET | 1   |                   |   |
| 20  | 19H2367  | CAP SCREW                   | 1   |                   | 5/8" X 3/4", (RH)   |
| 21  | R110286  | CAP SCREW                   | 5   |                   | (A)   |
| ..  | R121489  | CAP SCREW                   | 5   |                   | (B) (F)   |
| ..  | RG24026  | KIT                         | 1   | 500000-           | (B) (F) (CONTAINS (6) R121320, (5) R121489, (8) R121490 AND (7) R121491) (CONTAINS 26 "SPECIAL" CAP SCREWS) |
| ..  | RG30466  | KIT                         | 1   | -499999           | (A) (CONTAINS (11) R88043, (8) R88044 AND (7) R88045)   |
| ..  | RG24025  | KIT                         | 1   | -499999           | (B) (F) (CONTAINS (11) R121320, (8) R121321 AND (7) R121322) (CONTAINS 26 "SPECIAL" CAP SCREWS)             |

(A) USE WITH BLOCKS MARKED R119999 OR LESS

(D) EXHAUST

(B) USE WITH BLOCKS MARKED R122724 AND ABOVE

(E) INTAKE

(C) EXHAUST VALVES ONLY

(F) "SPECIAL" HEAD BOLTS

# 1B23

ENGINE

**CYLINDER BLOCK - CONTINUED**  
**(6076AN001) (MACHINE SERIAL NO. 101-4000)**  
**(ENGINE SERIAL NO. -499999)**

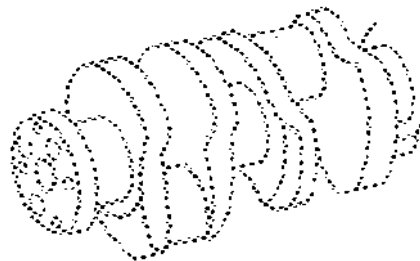
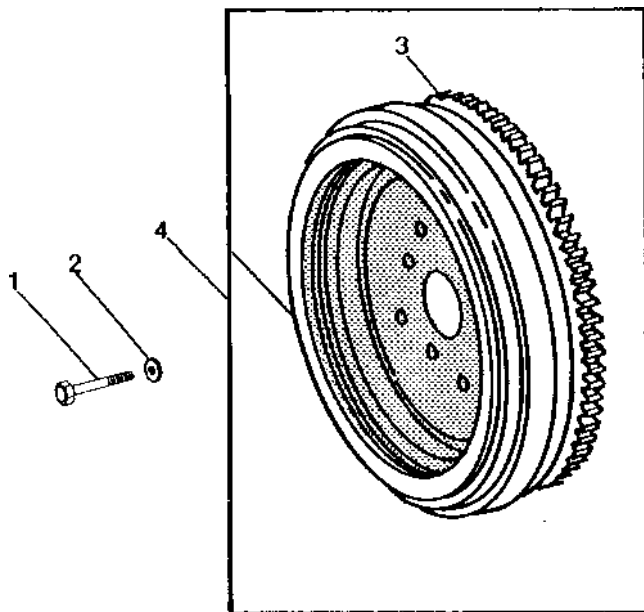
| KEY | PART NO. | PART NAME               | QTY | ENGINE SERIAL NO. | REMARKS  |
|-----|----------|-------------------------|-----|-------------------|--|
| 1   | AT13740  | DRAIN VALVE             | 1   |                   |  |
| 2   | R114130  | STUD                    | 5   |                   | (SUB FOR R55396)                                   |
| 3   | 15H624   | PIPE PLUG               | 4   |                   | 1/2"   |
| 4   | R39741   | DRAIN PLUG              | 1   |                   |  |
| 5   | U13639   | O-RING                  | 1   |                   |  |
| 6   | R106859  | STUD                    | 1   |                   | (SUB FOR F3646R OR R26622, THIS APPLICATION)       |
| 7   | R55395   | STUD                    | 1   |                   |  |
| 8   | 15H690   | PIPE PLUG               | 1   |                   | 3/4"   |
| 9   | R42340   | BUSHING                 | 2   |                   |  |
| 10  | R1612R   | DOWEL PIN               | 2   |                   | (WATER PUMP - NOT INSTALLED)                       |
|     | R71583   | DOWEL PIN               | 2   |                   | (NOT USED THIS APPLICATION)                        |
| 11  | F1743R   | DOWEL PIN               | 2   |                   |  |
| 12  | R104592  | PIPE PLUG               | 6   |                   |  |
| 13  | R21630   | PIPE PLUG               | 1   |                   |  |
| 14  | AR71850  | DIPSTICK TUBE           | 1   |                   |  |
| 15  | R43621   | ORIFICE                 | 6   |                   |  |
| 16  | R62930   | BUSHING                 | 2   |                   |  |
| 17  | R42365   | BOLT                    | 14  |                   |  |
| 18  | R70268   | WASHER                  | 14  |                   |  |
| 19  | R57158   | BEARING CAP             | 6   |                   | (MAIN)   |
|     | .....    | BEARING CAP             | 1   |                   | (THRUST) ( R57159 NO LONGER AVAILABLE)             |
| 20  | R82007   | PLUG                    | 1   |                   |  |
| 21  | R87561   | BUSHING                 | 4   |                   |  |
| 22  | R61288   | DOWEL PIN               | 1   |                   |  |
| 23  | 15H686   | PIPE PLUG               | 1   |                   | 1"   |
| 24  | RE30091  | CYLINDER BLOCK          | 1   | -158801           | (MARKED R88380) (SUB SE500213)                     |
|     | RE47108  | CYLINDER BLOCK          | 1   | 158802-           | (MARKED R109780) (SUB SE500213)                    |
|     | RE65055  | CYLINDER BLOCK          | 1   |                   | (MARKED R122730) (SUB FOR RE60396) (SUB SE500213)  |
|     | SE500213 | COMPLETE BLOCK ASSEMBLY | 1   |                   | (REMANUFACTURED) (CALL 1-888-697-3626 FOR DETAILS) |
| 25  | A4365R   | O-RING                  | 1   |                   |  |
| 26  | AR61589  | PLUG                    | 1   |                   |  |
| 27  | R27149   | O-RING                  | 1   |                   |  |
| 28  | AR61533  | PLUG                    | 1   |                   |  |

# 1C7

ENGINE

**FLYWHEEL**  
 (6076AN030) (MACHINE SERIAL NO. 4001- )  
 (ENGINE SERIAL NO. 50000- )

RGP2155 -UN-01JAN94



RGP2155

| KEY | PART NO. | PART NAME | QTY | ENGINE SERIAL NO. | REMARKS                            |
|-----|----------|-----------|-----|-------------------|------------------------------------|
| 1   | N191827  | CAP SCREW | 6   |                   | 12.700 X 63.500 MM (1/2" X 2-1/2") |
| 2   | T23891   | WASHER    | 6   |                   |                                    |
| 3   | R28811   | RING GEAR | 1   |                   |                                    |
| 4   | AR70168  | FLYWHEEL  | 1   | -516486           | (MARKED R58449) (SUB RE56779)      |
|     | RE56779  | FLYWHEEL  | 1   | 516487-           | (MARKED R121026)                   |

---

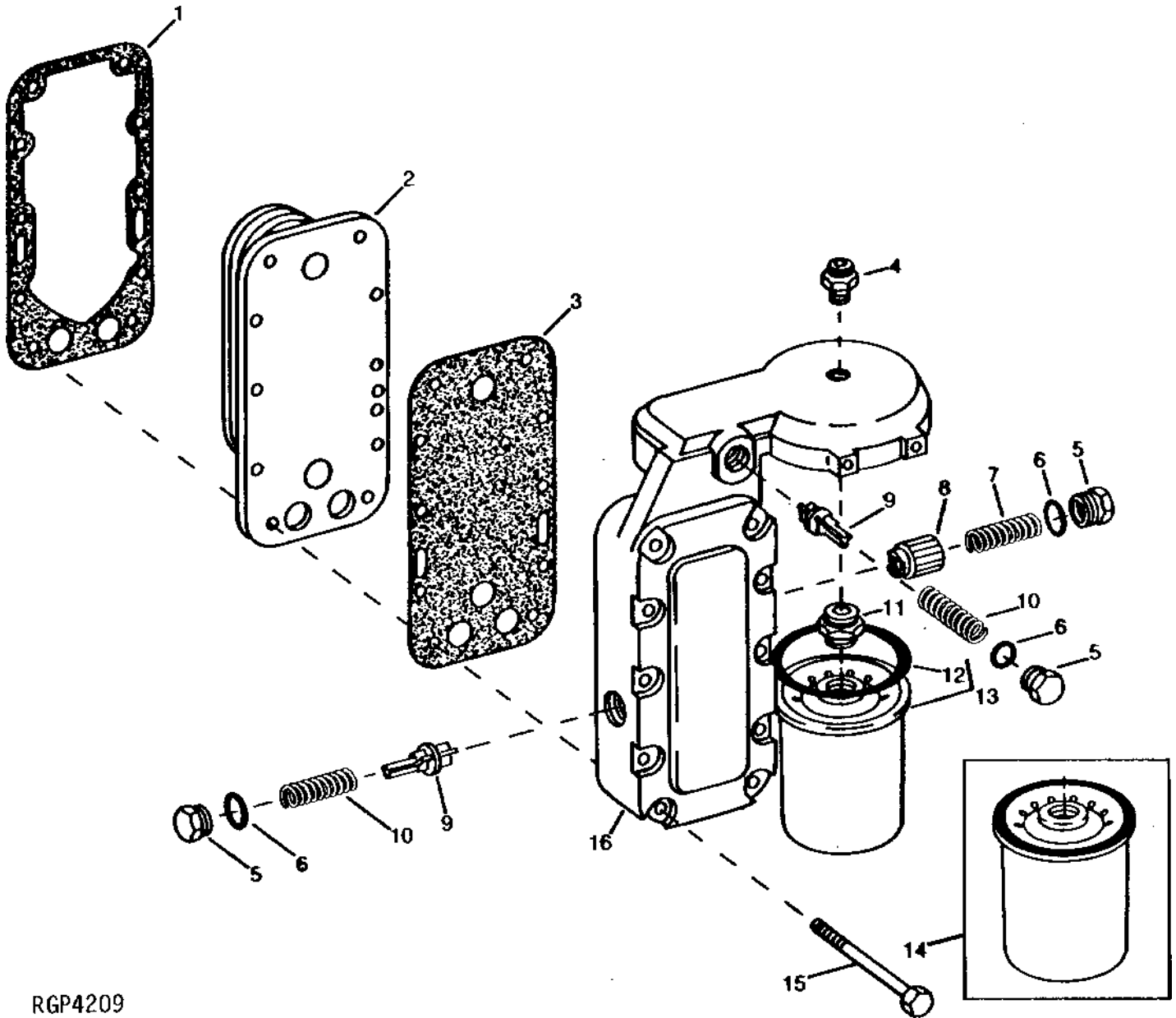
MEMORANDA

# 1D1

ENGINE

ENGINE OIL COOLER, HOUSING AND FILTER  
(6076AN030) (MACHINE SERIAL NO. 4001- )  
(ENGINE SERIAL NO. 500000- )

RGP4209 -UN-01JAN94



RGP4209

| KEY | PART NO. | PART NAME             | QTY | ENGINE SERIAL NO. | REMARKS                        |
|-----|----------|-----------------------|-----|-------------------|--------------------------------|
| 1   | R94618   | GASKET                | 1   |                   |                                |
| 2   | RE36367  | OIL COOLER            | 1   |                   |                                |
| 3   | R94619   | GASKET                | 1   |                   |                                |
| 4   | R51133   | FITTING               | 1   |                   | (SUB FOR A4925R)               |
| 5   | R100499  | DRAIN PLUG            | 3   |                   |                                |
| 6   | U17409   | O-RING                | 3   |                   |                                |
| 7   | R102844  | SPRING                | 1   |                   |                                |
| 8   | R124186  | PRESSURE RELIEF VALVE | 1   |                   | (SUB FOR R94615)               |
| 9   | R108867  | VALVE                 | 2   |                   |                                |
| 10  | R98064   | SPRING                | 2   |                   |                                |
| 11  | R104621  | ADAPTER               | 1   |                   |                                |
| 12  | R43660   | PACKING               | 1   |                   | (USE WITH RE57394)             |
| 13  | RE57394  | OIL FILTER            | 1   |                   | (MARKED RE57394)               |
| 14  | RE46380  | OIL FILTER            | 1   |                   | (MARKED RE46380) (SUB RE57394) |
| 15  | R104862  | SCREW                 | 10  |                   |                                |
| 16  | RE39890  | HOUSING               | 1   |                   |                                |

# 1D11

ENGINE

## RADIATOR AND HOSES - CONTINUED

| KEY | PART NO. | PART NAME     | QTY | SERIAL NO. | REMARKS                                     |
|-----|----------|---------------|-----|------------|---|
| 1   | R88353   | HOSE          | 1   | 101-4000   | UPPER                                       |
|     | N272078  | HOSE          | 1   | 4001-      | UPPER (ILLUSTRATED)                         |
| 2   | AR21999  | HOSE CLAMP    | 4   |            |   |
| 3   | AR96371  | SHROUD        | 1   |            |   |
| 4   | AN191033 | FILLER CAP    | 1   |            | 7 PSI                                       |
| 5   | H86772   | HOSE          | 2   |            | (MAKE FROM TY22324)                         |
| 6   | AN190887 | RADIATOR      | 1   | 101-4000   | (INCLUDES OVERFLOW HOSE) (SUB FOR AN191241) |
|     | AN195300 | RADIATOR      | 1   | 4001-      | (ILLUSTRATED)                               |
| 7   | 19H2116  | CAP SCREW     | 2   |            | 3/8" X 2-1/2"                               |
| 8   | T11234   | LOCK NUT      | 2   |            | 3/8"  |
| 9   | 24H1309  | WASHER        | 2   |            | 13/32" X 1-1/16" X 0.120"                   |
| 10  | F2411R   | SPRING        | 2   |            |   |
| 11  | R26417   | SPACER        | 2   |            |   |
| 12  | R26413   | STRAP         | 2   |            |   |
| 13  | 24H1294  | WASHER        | 4   |            | 11/32" X 1-1/8" X 1/16"                     |
| 14  | H86401   | CAP           | 1   |            |   |
| 15  | AH87560  | TANK          | 1   |            |   |
| 16  | N191841  | SPACER        | 2   |            |   |
| 17  | 24H1136  | WASHER        | 4   |            | 11/32" X 11/16" X 0.065"                    |
| 18  | AR48236  | CLAMP         | 2   |            |   |
| 19  | N10213   | LOCK NUT      | 2   |            | 5/16"                                       |
| 20  | 19H1921  | CAP SCREW     | 2   |            | 5/16" X 3-1/4"                              |
| 21  | H26723   | DRAIN PLUG    | 1   |            |   |
| 22  | 24H1288  | WASHER        | 6   |            | 9/32" X 1" X 1/16"                          |
| 23  | 37H84    | SCREW         | 6   |            | 1/4" X 3/4"                                 |
| 24  | R76371   | RADIATOR HOSE | 1   | 101-4000   | LOWER                                       |
|     | N198549  | RADIATOR HOSE | 1   | 4001-      | LOWER (ILLUSTRATED)                         |
| 25  | 24H1305  | WASHER        | 2   |            | 13/32" X 13/16" X 0.065"                    |
| 26  | N191831  | SUPPORT       | 1   |            |   |
| 27  | .....    | ISOLATOR      | 2   |            | MAKE FROM 3-1/2" OF R30936                  |
| 28  | .....    | ISOLATOR      | 2   |            | MAKE FROM 9-21/32" OF R30937                |
| 29  | N192436  | STRAP         | 2   |            |   |
| 30  | .....    | HOSE          | 1   |            | MAKE FROM 67" OF E48179                     |

# 1D21

ENGINE

WATER PUMP - CONTINUED  
(6076AN030) (MACHINE SERIAL NO. 4001- )  
(ENGINE SERIAL NO. 500000- )

| KEY | PART NO. | PART NAME   | QTY | ENGINE SERIAL NO. | REMARKS   |
|-----|----------|-------------|-----|-------------------|---|
| 1   | R104591  | GEAR        | 1   |                   |   |
| 2   | R101042  | O-RING      | 1   |                   |   |
| 3   | R72328   | O-RING      | 1   |                   |   |
| 4   | 12H303   | LOCK WASHER | 4   |                   | (NO LONGER REQUIRED WITH R105732, R112267 OR R112269) |
| 5   | R112269  | SCREW       | 1   |                   |   |
| 6   | R104861  | SCREW       | 1   |                   |   |
| 7   | R41285   | ADAPTER     | 1   |                   |   |
| 8   | 15H624   | PIPE PLUG   | 2   | 1/2"              |   |
| 9   | R100369  | FILTER      | 2   |                   |   |
| 10  | RE45337  | SEAL        | 1   |                   |   |
| 11  | R100367  | GASKET      | 1   |                   |   |
| 12  | R100364  | COVER       | 1   |                   |   |
| 13  | AT13740  | DRAIN VALVE | 1   |                   |   |
| 14  | R101043  | CAP SCREW   | 4   |                   |   |
| 15  | RE68230  | WATER PUMP  | 1   |                   | (MARKED RE39121 OR RE68230) (SUB FOR RG28369)         |
| 16  | TY24407  | BULK HOSE   | 1   |                   | (SUB FOR R96622)                                      |
| 17  | R96606   | COVER       | 1   |                   |   |
| 18  | R96616   | GASKET      | 1   |                   |   |
| 19  | R105732  | SCREW       | 2   |                   |   |
| 20  | AR40418  | HOSE CLAMP  | 2   |                   |   |

## AIR INTAKE TUBES AND PRE SCREENER - CONTINUED

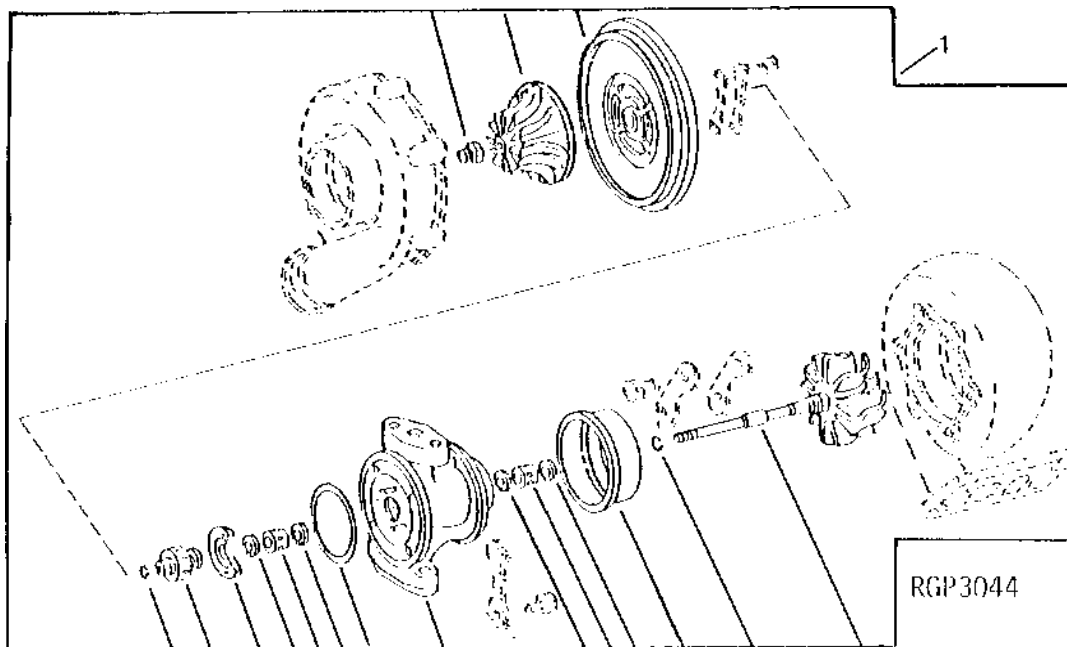
| KEY | PART NO. | PART NAME          | QTY | SERIAL NO. | REMARKS                        |
|-----|----------|--------------------|-----|------------|--------------------------------|
| 1   | N10212   | SELF-LOCKING SCREW | 3   |            | 5/16" X 3/4"                   |
| 2   | N10213   | LOCK NUT           | 3   |            | 5/16"                          |
| 3   | AN272056 | AIR DUCT           | 1   |            | (SUB FOR AN193600)             |
| 4   | AN130399 | HOSE CLAMP         | 3   | 101-4000   |                                |
|     | AN130399 | HOSE CLAMP         | 1   | 4001-      |                                |
| 5   | N197627  | HOSE               | 1   | 101-4000   | 5" X 8", (MAKE FROM TY22347)   |
| 6   | R51512   | TUBE               | 1   | 101-4000   |                                |
| 7   | N10215   | LOCK NUT           | 1   | 101-4000   | 3/8"                           |
| 8   | N197682  | ANGLE              | 1   |            |                                |
| 9   | 19M7774  | SCREW              | 1   |            | M6 X 12 (HS, HEAD MARKED 10.9) |
| 10  | N14822   | SELF-LOCKING SCREW | 1   |            | 3/8" X 3/4"                    |
| 11  | H135118  | AIR DUCT           | 1   |            |                                |
| 12  | AH130230 | HOSE CLAMP         | 1   |            |                                |
| 13  | AZ16536  | TOUCH SWITCH       | 1   |            |                                |
| 14  | 24H1219  | WASHER             | AR  |            | 7/16" X 1" X 0.083"            |
| 15  | AR85327  | CLAMP              | 1   |            |                                |
| 16  | N197675  | HOSE               | 1   |            |                                |
| 17  | AR98951  | CLAMP              | 1   |            |                                |

# 1E17

FUEL AND AIR

**TURBOCHARGER CENTER HOUSING WITH ROTATING PARTS  
(AIRESEARCH) (6076AN001) (MACHINE SERIAL NO. 101-4000)  
(ENGINE SERIAL NO. -499999)**

RGP3044 -UN-01JAN94



| KEY | PART NO. | PART NAME | QTY | ENGINE SERIAL NO. | REMARKS |
|-----|----------|-----------|-----|-------------------|---------|
| 1   | RE29488  | HOUSING   | 1   | (NLA)             |         |
| ..  | RE38346  | KIT       | 1   | (NLA)             |         |

# 1F2

FUEL AND AIR

## FUEL TANK - CONTINUED

| KEY | PART NO. | PART NAME      | QTY | SERIAL NO. | REMARKS                       |
|-----|----------|----------------|-----|------------|-------------------------------|
| 1   | R79115   | FITTING        | 1   | 101-111    |                               |
| 2   | AN193720 | HOSE           | 1   | 101-111    | 1/2" X 2 108 MM (83") X 1/2"  |
|     | AN194753 | HYDRAULIC HOSE | 1   | 112-       | 9/16" X 2 108 MM (83") X 1/2" |
| 3   | AN193796 | SENDER         | 1   |            | FUEL                          |
| 4   | 21H1295  | SCREW          | 5   |            | 0.190" X 5/8"                 |
| 5   | AR26674  | ELBOW FITTING  | 1   |            |                               |
| 6   | AN193714 | FITTING        | 1   |            | PIPE                          |
| 7   | AN193712 | FUEL TANK      | 1   |            | (INCLUDES KEY 6 & 16)         |
| 8   | N197892  | SUPPORT        | 2   |            | LOWER                         |
| 9   | N220089  | SUPPORT        | 2   |            | (SUB FOR N196012) UPPER       |
| 10  | 19H1800  | CAP SCREW      | 4   |            | 3/8" X 1-1/2"                 |
| 11  | N274290  | STRAP          | 4   |            | (SUB FOR N1713M)              |
| 12  | 24H1305  | WASHER         | 4   |            | 13/32" X 13/16" X 0.065"      |
| 13  | T11234   | LOCK NUT       | 4   |            | 3/8"                          |
| 14  | R91558   | PAD            | 2   |            |                               |
| 15  | 15H255   | PIPE PLUG      | 1   |            | 3/8"                          |
| 16  | AT20911  | FILLER CAP     | 1   |            |                               |
| 17  | U42323   | GASKET         | 1   |            |                               |
| 18  | R36209   | ISOLATOR       | 2   |            |                               |
| 19  | N196281  | ANGLE          | 1   |            |                               |
| 20  | M84497   | ELBOW FITTING  | 1   |            |                               |
| 21  | AR48236  | CLAMP          | 2   |            |                               |
| 22  | .....    | HOSE           | 1   |            | (MAKE FROM 89" OF N146293)    |
| 23  | AR104650 | FUEL LINE      | 1   |            |                               |
| 24  | R79264   | LINE           | 1   | 101-111    |                               |
| 25  | R67092   | SEAL           | 1   | 101-111    |                               |
| 26  | N199298  | STRAP          | 1   | 101-2000   | TANK SUPPORT RETAINER         |

# 1F11

FUEL AND AIR

FUEL INJECTION NOZZLE - CONTINUED  
 (NIPPONDENSO)  
 (6076AN030) (MACHINE SERIAL NO. 4001- )  
 (ENGINE SERIAL NO. 500000- )

| KEY | PART NO. | PART NAME        | QTY | ENGINE SERIAL NO. | REMARKS  |
|-----|----------|------------------|-----|-------------------|--|
| 1   | R68035   | TUBE NUT         | 1   |                   |  |
| 2   | R69089   | O-RING           | 1   |                   |  |
| 3   | R94400   | NOZZLE HOLDER    | 1   | -505555           |  |
| 4   | R115369  | NOZZLE HOLDER    | 1   | 505556-           |  |
|     | R68036   | SHIM             | AR  |                   | 0.70MM (.028")                                     |
|     | R68037   | SHIM             | AR  |                   | 0.75MM (.030")                                     |
|     | R68038   | WASHER           | AR  |                   | 0.80MM (.032")                                     |
|     | R68039   | WASHER           | AR  |                   | 0.85MM (.034")                                     |
|     | R68040   | WASHER           | AR  |                   | 0.90MM (.035")                                     |
|     | R68041   | WASHER           | AR  |                   | 0.95MM (.037")                                     |
|     | R68042   | WASHER           | AR  |                   | 1.00MM (.039")                                     |
|     | R68043   | WASHER           | AR  |                   | 1.05MM (.041")                                     |
|     | R68044   | WASHER           | AR  |                   | 1.10MM (.043")                                     |
|     | R68045   | WASHER           | AR  |                   | 1.15MM (.045")                                     |
|     | R68046   | WASHER           | AR  |                   | 1.20MM (.047")                                     |
|     | R68047   | WASHER           | AR  |                   | 1.25MM (.049")                                     |
|     | R68048   | WASHER           | AR  |                   | 1.30MM (.051")                                     |
|     | R68049   | WASHER           | AR  |                   | 1.35MM (.053")                                     |
|     | R68050   | WASHER           | AR  |                   | 1.40MM (.055")                                     |
|     | R68051   | WASHER           | AR  |                   | 1.45MM (.057")                                     |
|     | R68052   | WASHER           | AR  |                   | 1.50MM (.059")                                     |
| 5   | R68053   | SPRING           | 1   | -505555           | (SUB R115368 AND R115369, THIS APPLICATION)        |
|     | R115368  | SPRING           | 1   | 505556-           |  |
| 6   | R94410   | SEAT             | 1   |                   |  |
| 7   | R94412   | PLATE            | 1   |                   |  |
| 8   | RE29179  | INJECTION NOZZLE | 1   | -505555           | (7 X 0.230)  |
|     | RE52114  | INJECTION NOZZLE | 1   | 505556-           | (7 X 0.255)  |
| 9   | R94414   | NUT              | 1   |                   |  |
| 10  | R84472   | WASHER           | 1   |                   |  |
| 11  | RE25253  | INJECTION NOZZLE | 6   | 505556-           | (SUB RE52113 AND R84472 OR SE500354) (DENSO)       |
|     | RE52113  | INJECTION NOZZLE | 6   | 505556-           |  |
|     | SE500354 | INJECTION NOZZLE | 6   | 505556-           | (REMANUFACTURED) (CALL 1-888-697-3626 FOR DETAILS) |

# 1F21

FUEL AND AIR

FUEL INJECTION PUMP, FUEL CONTROL LINES AND LUBE LINE - CONTINUED  
 (6076AN001) (MACHINE SERIAL NO. 101-4000)  
 (ENGINE SERIAL NO. 165527-499999)

| KEY | PART NO. | PART NAME           | QTY | ENGINE SERIAL NO. | REMARKS  |
|-----|----------|---------------------|-----|-------------------|--|
| 1   | R67364   | ELBOW FITTING       | 2   |                   |  |
| 2   | R51936   | SEALING WASHER      | 4   |                   |  |
| 3   | AR98655  | ANEROID LINE        | 1   |                   |  |
| 4   | R72818   | STRAP               | 2   |                   |  |
|     | R70407   | CLAMP               | 4   |                   |  |
|     | R72817   | STRAP               | 2   |                   |  |
|     | 21H1463  | CAP SCREW           | 4   |                   | 0.190" X 7/8"  |
|     | 12H246   | LOCK WASHER         | 4   | -170306           | 0.190"   |
| 5   | R67271   | UNION FITTING       | 1   |                   |  |
| 6   | RE49590  | ANEROID LINE        | 1   |                   | (SUB FOR AR98654)  |
| 7   | 12H304   | LOCK WASHER         | 1   |                   | 3/8"   |
| 8   | 19H3483  | CAP SCREW           | 1   |                   | 3/8" X 1-1/8"  |
| 9   | 28H1522  | SPACER              | 1   |                   | 0.493" X 0.675" X 11/16"   |
| 10  | AR87636  | TEE FITTING         | 1   |                   |  |
|     | R62106   | SCREW               | 1   |                   |  |
|     | R62107   | WASHER              | 1   |                   |  |
| 11  | R67380   | GEAR                | 1   |                   |  |
| 12  | R63845   | WASHER              | 4   |                   |  |
| 13  | 19H3336  | SCREW               | 4   |                   | 3/8" X 7/8"  |
| 14  | R55396   | STUD                | 4   |                   |  |
| 15  | M72490   | WASHER              | 4   |                   | (SUB FOR R42729)   |
| 16  | E55662   | FLANGE NUT          | 4   |                   | 3/8", (SUB FOR R32511)   |
| 17  | RE35142  | FUEL PUMP           | 1   |                   | (ROBERT BOSCH)   |
| 18  | R79060   | O-RING              | 1   |                   |  |
| 19  | AR88903  | ELBOW FITTING       | 1   |                   |  |
| 20  | R67264   | PACKING             | 2   |                   |  |
| 21  | AR87561  | OIL LINE            | 1   |                   |  |
| 22  | RE32033  | FUEL INJECTION PUMP | 1   |                   | (A) (ROBERT BOSCH) (PES6P120A720RS3203) (ALSO ORDER N198922 AND (2) 19M8731) |
| 23  | AR101033 | OIL LINE            | 1   |                   |  |

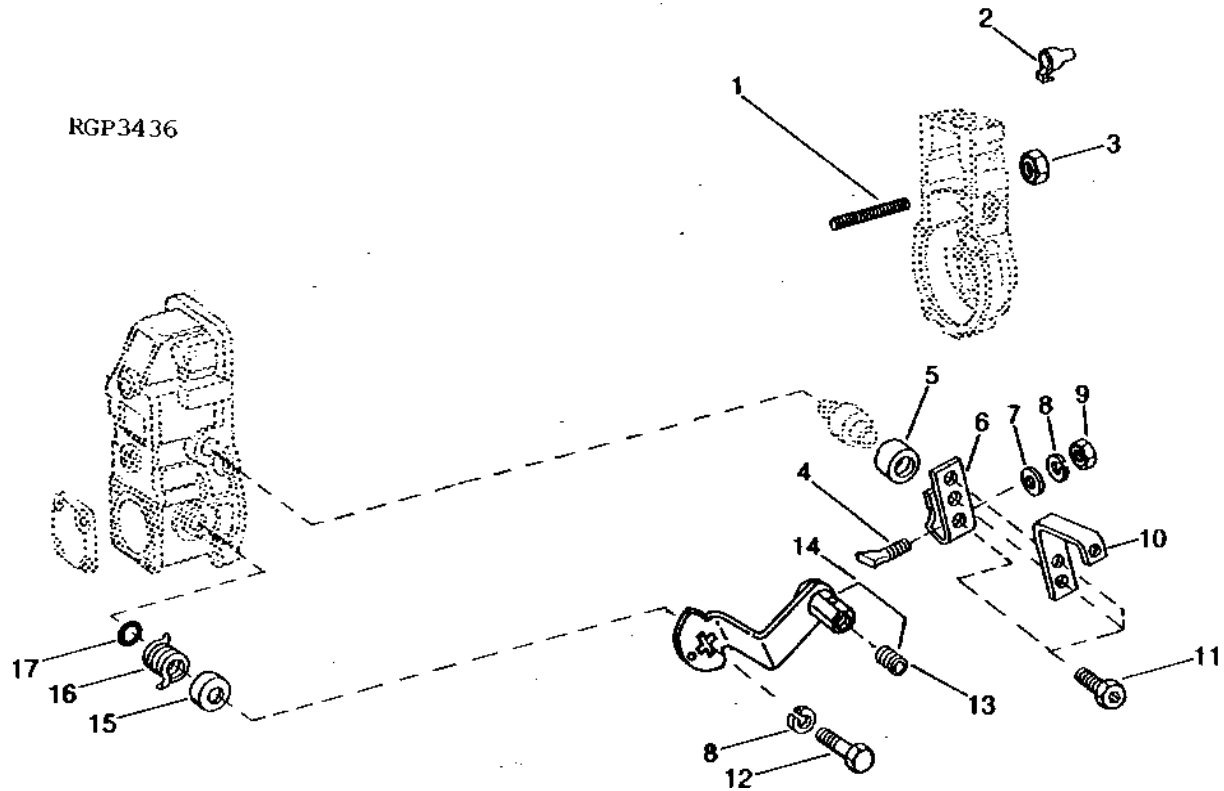
(A) "SEE YOUR AUTHORIZED PUMP REPAIR STATION FOR PARTS NOT LISTED"

# 1G6

FUEL AND AIR

FUEL INJECTION PUMP LEVERS (ROBERT BOSCH)  
(6076AN001 ENGINE SERIAL NO. 129468- )

RGP3436 -UN-01JAN94



| KEY | PART NO. | PART NAME   | QTY | ENGINE SERIAL NO.     | REMARKS |
|-----|----------|-------------|-----|-----------------------|---------|
| 1   | R60914   | SET SCREW   | 1   |                       |         |
| 2   | R53918   | PACKING     | 1   |                       |         |
| 3   | T31556   | NUT         | 1   |                       |         |
| 4   | R68715   | PIN         | 1   |                       |         |
| 5   | AR89339  | SEAL        | 1   |                       |         |
| 6   | AR89578  | LEVER       | 1   |                       |         |
| 7   | 24M7054  | WASHER      | 1   | 6.400 X 12 X 1.600 MM |         |
| 8   | T24229   | LOCK WASHER | 2   |                       |         |
| 9   | R68716   | NUT         | 1   |                       |         |
| 10  | N198922  | LEVER       | 1   | (THROTTLE)            |         |
| 11  | 19M7692  | SCREW       | 2   | M6 X 16               |         |
| 12  | R53976   | SCREW       | 1   |                       |         |
| 13  | R68238   | SET SCREW   | 1   |                       |         |
| 14  | AR88528  | LEVER       | 1   | (SHUT-OFF)            |         |
| 15  | R68438   | RETAINER    | 1   |                       |         |
| 16  | R53954   | SPRING      | 1   |                       |         |
| 17  | R53955   | O-RING      | 1   |                       |         |

# 1G16

FUEL AND AIR

**THROTTLE LEVER, CABLE, BELLCRANK AND BRACKETS - CONTINUED**  
(SERIAL NUMBER 112 - )

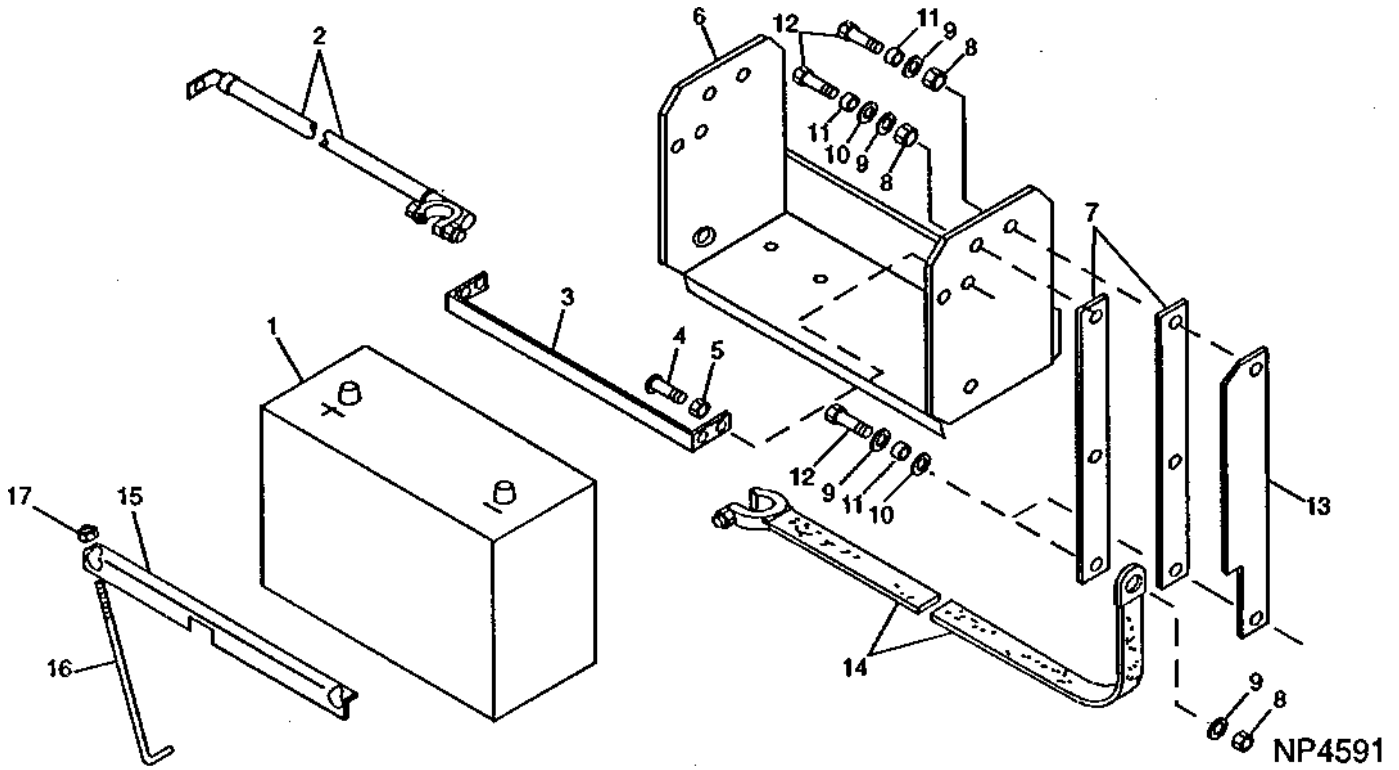
| KEY | PART NO. | PART NAME       | QTY | SERIAL NO. | REMARKS                 |
|-----|----------|-----------------|-----|------------|-------------------------|
| 1   | 19H2331  | CAP SCREW       | 1   |            | 5/8" X 7"               |
| 2   | K40015   | LOCK NUT        | 1   |            | 5/8"                    |
| 3   | E17898   | BUSHING         | 1   |            |                         |
| 4   | AN115216 | STOP            | 1   |            | OUTER                   |
| 5   | R40983   | WASHER          | 2   |            | 0.640" X 2" X 0.060"    |
| 6   | T23688   | BALL JOINT      | 6   |            |                         |
| 7   | 14H860   | NUT             | 12  |            | 1/4", UNF               |
| 8   | N198483  | LEVER           | 1   |            |                         |
| 9   | R50506   | KNOB            | 1   |            |                         |
| 10  | 19H1738  | CAP SCREW       | 2   |            | 1/4" X 2", FULL THREAD  |
| 11  | 14H786   | NUT             | 4   |            | 1/4"                    |
| 12  | AN115217 | STOP            | 1   |            | INNER                   |
| 13  | T70921   | SPRING          | 1   | 101-2000   |                         |
|     | N125300  | SPRING          | 1   | 2001-      |                         |
| 14  | 12H302   | LOCK WASHER     | 4   |            | 1/4"                    |
| 15  | 34H311   | SPRING PIN      | 1   |            | 1/4" X 7/8"             |
| 16  | 11M7015  | COTTER PIN      | 1   |            | 3.200 X 25 MM           |
| 17  | AN190199 | ARM             | 1   |            |                         |
| 18  | N118606  | STUD            | 1   |            |                         |
| 19  | T33483   | CLAMP           | 2   |            |                         |
| 20  | N192136  | BOOT            | 1   |            |                         |
| 21  | AN190170 | PUSH PULL CABLE | 1   |            |                         |
| 22  | T13988   | U-BOLT          | 1   |            |                         |
| 23  | T15021   | STRAP           | 1   |            |                         |
| 24  | N198924  | ANCHOR          | 1   |            |                         |
| 25  | 24H1286  | WASHER          | 2   |            | 9/32" X 1/2" X 1/16"    |
| 26  | N198922  | LEVER           | 1   |            |                         |
| 27  | 19M8731  | SCREW           | 2   |            | M6 X 16                 |
| 28  | N198923  | STUD            | 1   |            |                         |
| 29  | 12H236   | LOCK WASHER     | 1   |            | 3/4"                    |
| 30  | 19H2369  | CAP SCREW       | 1   |            | 3/4" X 1"               |
| 31  | T42756   | WASHER          | 1   |            | 23/64" X 9/16" X 0.215" |
| 32  | N199865  | CRANK           | 1   |            | (SUB FOR N190047)       |
| 33  | 24H1621  | WASHER          | 4   |            | 11/32" X 1" X 0.220"    |
| 34  | 14H785   | NUT             | 1   |            | 5/16"                   |
| 35  | 12M7065  | LOCK WASHER     | 1   |            | 8 MM                    |
| 36  | 19H1906  | CAP SCREW       | 1   |            | 5/16" X 1-1/2"          |

# 1H4

ELECTRICAL

NP4591 -UN-01JAN94

## BATTERY, BATTERY BOX AND CABLES



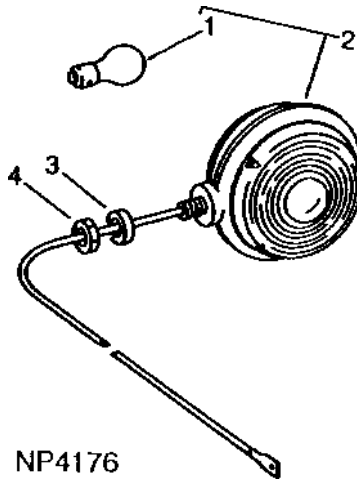
| KEY | PART NO. | PART NAME              | QTY | SERIAL NO. | REMARKS               |
|-----|----------|------------------------|-----|------------|-----------------------|
| 1   | TY6128   | DRY CHARGED BATTERY    | 2   |            | DRY-12V-950CCA, GRP31 |
| 2   | AN194109 | BATTERY BOOSTER CABLES | 1   |            | POSITIVE              |
| 3   | N195963  | HANDLE                 | 2   |            |                       |
| 4   | 03H1540  | BOLT                   | 12  |            | 5/16" X 3/4"          |
| 5   | N10213   | LOCK NUT               | 12  |            | 5/16"                 |
| 6   | AN193872 | BATTERY BOX            | 2   |            |                       |
| 7   | N196013  | STRAP                  | 8   |            |                       |
| 8   | N10215   | LOCK NUT               | 16  |            | 3/8"                  |
| 9   | 24H1307  | WASHER                 | 24  |            | 13/32" X 1" X 1/16"   |
| 10  | 24H1658  | WASHER                 | 8   |            | 21/32" X 1" X 0.060"  |
| 11  | A24092   | BUSHING                | 16  |            |                       |
| 12  | 19H1800  | CAP SCREW              | 16  |            | 3/8" X 1-1/2"         |
| 13  | N196014  | SHIELD                 | 4   |            |                       |
| 14  | AH78649  | GROUND CABLE           | 2   |            |                       |
| 15  | N190171  | CLAMP                  | 2   |            |                       |
| 16  | N190082  | BOLT                   | 4   |            |                       |
| 17  | T16464   | LOCK NUT               | 4   |            | 5/16"                 |

# 1H14

ELECTRICAL

NP4176 -UN-01JAN94

## FRONT WARNING LAMP



| KEY | PART NO. | PART NAME   | QTY | SERIAL NO.  | REMARKS |
|-----|----------|-------------|-----|-------------|---------|
| 1   | AD2062R  | BULB        | 1   | MARKED 1156 |         |
| 2   | AT23467  | LAMP        | 1   |             |         |
| 3   | 12H301   | LOCK WASHER | 1   | 1/2"        |         |
| 4   | 14H865   | NUT         | 1   | 1/2"        |         |

# 1H24

ELECTRICAL

## AIR SWITCH INSTRUMENT PANEL - CONTINUED

| KEY | PART NO. | PART NAME          | QTY | SERIAL NO. | REMARKS   |
|-----|----------|--------------------|-----|------------|---|
| 1   | .....    | HOSE               | 4   |            | (MAKE FROM 37 INCHES OF N190923)                    |
|     | .....    | HOSE               | 3   |            | (MAKE FROM 24-1/4 INCHES OF N190923)                |
| 2   | N115724  | ELBOW FITTING      | 14  |            |   |
| 3   | AN192244 | SUPPORT            | 1   |            |   |
| 4   | AN193774 | UNION FITTING      | 1   |            |   |
| 5   | .....    | HOSE               | 1   |            | (TO FAN MANIFOLD) (MAKE FROM 108 INCHES OF N274964) |
| 6   | N194212  | STRAP              | 1   |            | AIR SWITCH  |
| 7   | AN192360 | SWITCH             | 1   |            |   |
| 8   | AN192268 | WIRING HARNESS     | 1   |            |   |
| 9   | N198931  | LABEL              | 1   |            | LUB SYSTEM  |
| 10  | N198380  | LABEL              | 1   |            | AIR MONITOR SWITCH ADJUSTMENT                       |
| 11  | N194758  | LABEL              | 1   |            | FAN SWITCH (SUB AN195030 KIT)                       |
| 12  | T35672   | LABEL              | 1   |            | STOP AND START PROCEDURES                           |
| 13  | N198770  | COVER              | 1   |            |   |
| 14  | N198771  | COVER              | 1   |            | SWITCHES  |
| 15  | N198516  | TIE BAND           | 14  |            | (TO FASTEN HOSES TO DUCT SUPPORT PIPES)             |
| 16  | AN272520 | DUAL LOCK FASTENER | 1   |            | (SUB FOR AN193679)                                  |
|     | N272970  | SEAL               | 1   |            |   |
| 17  | N194757  | LABEL              | 1   |            | UNIT SWITCHES (CONVENTIONAL UNITS)                  |
|     | N197870  | LABEL              | 1   |            | UNIT SWITCHES (IN-LINE UNITS)                       |
| 18  | AN192359 | SWITCH             | 6   |            | AIR MONITOR   |
| 19  | .....    | HOSE               | 2   |            | (MAKE FROM 150 INCHES OF N274964)                   |
|     | .....    | HOSE               | 1   |            | (MAKE FROM 125 INCHES OF N274964)                   |
|     | .....    | HOSE               | 3   |            | (MAKE FROM 108 INCHES OF N274964)                   |
| 20  | N194229  | SENSOR             | 4   |            | AIR DUCT  |
| 21  | 37H84    | SCREW              | 2   |            | 1/4 X 3/4 HEX TAPPING                               |
| 22  | R44302   | TIE BAND           | AR  |            |   |
| 23  | 37H196   | SCREW              | 3   |            | NO. 8 SELF TAPPING                                  |
| 24  | T100452  | NUT                | 3   |            |   |
| 25  | N194553  | NUT                | 2   |            | EXPANSION   |

## ELECTRICAL CONNECTOR SERVICE KIT - CONTINUED

| KEY | PART NO. | PART NAME                 | QTY | SERIAL NO. | REMARKS  |
|-----|----------|---------------------------|-----|------------|--|
| 42  | AR91793  | ELEC. CONNECTOR TERMINAL  | 1   |            | PKG. OF 20   |
| 43  | R30378   | SPRING                    | 1   |            | PKG. OF 10   |
| 44  | R77474   | ELECTRICAL CONNECTOR ASSY | 1   |            | PKG. OF 2 (6 WAY)                                    |
| 45  | R77470   | ELEC. CONNECTOR TERMINAL  | 1   |            | SPLICE (PKG. OF 15)(16-18-20 OR 22 GA. WIRE)         |
|     | R77471   | ELEC. CONNECTOR TERMINAL  | 1   |            | PKG. OF 10 (10 OR 12 GA. WIRE) SPLICE                |
|     | R77472   | ELEC. CONNECTOR TERMINAL  | 1   |            | PKG. OF 2 (8 GA. WIRE) SPLICE                        |
|     | R77473   | ELEC. CONNECTOR TERMINAL  | 1   |            | PKG. OF 2 (6 GA. WIRE) SPLICE                        |
| 46  | R65607   | ELEC. CONNECTOR TERMINAL  | 1   |            | PKG. OF 10 (18 OR 20 GA. WIRE)                       |
| 47  | U46664   | ELEC. CONNECTOR TERMINAL  | 1   |            | PKG. OF 10 (14 OR 16 GA. WIRE)                       |
| 48  | R32026   | ELEC. CONNECTOR TERMINAL  | 1   |            | PKG. OF 20 (14 OR 16 GA. WIRE)                       |
| 49  | R65602   | ELEC. CONNECTOR TERMINAL  | 1   |            | PKG. OF 10 (16 OR 18 GA. WIRE)                       |
| 50  | R70220   | ELEC. CONNECTOR TERMINAL  | 1   |            | PKG. OF 10 (18 OR 20 GA. WIRE)                       |
| 51  | R77489   | ELEC. CONNECTOR TERMINAL  | 1   |            | PKG. OF 20 (14-16-18 OR 20 GA. WIRE) (NO. 10 EYELET) |
|     | R77493   | ELEC. CONNECTOR TERMINAL  | 1   |            | PKG. OF 20 (10 OR 12 GA. WIRE)(NO. 10 EYELET)        |
|     | R77488   | ELEC. CONNECTOR TERMINAL  | 1   |            | PKG. OF 20 (14-16-18 OR 20 GA. WIRE) (3/8" EYELET)   |
|     | R77490   | ELEC. CONNECTOR TERMINAL  | 1   |            | PKG. OF 20 (10 OR 12 GA. WIRE)(1/2" EYELET)          |
| 52  | R77496   | ELEC. CONNECTOR TERMINAL  | 1   |            | PKG. OF 20 (14 OR 16 GA. WIRE)(NO. 8 SPADE)          |
|     | R77495   | ELEC. CONNECTOR TERMINAL  | 1   |            | PKG. OF 20 (18 GA. WIRE)(NO. 10 SPADE)               |
| 53  | R77497   | ELEC. CONNECTOR TERMINAL  | 1   |            | PKG. OF 20 (14 OR 16 GA. WIRE)(NO. 6 SPADE)          |
| 54  | R77491   | ELEC. CONNECTOR TERMINAL  | 1   |            | PKG. OF 20 (10 OR 12 GA. WIRE)(3/8" EYELET)          |
|     | R77492   | ELEC. CONNECTOR TERMINAL  | 1   |            | PKG. OF 20 (10 OR 12 GA. WIRE)(1/4" EYELET)          |
| 55  | R77494   | ELEC. CONNECTOR TERMINAL  | 1   |            | PKG. OF 20 (6 OR 8 GA. WIRE)(1/4" EYELET)            |
| 56  | R77502   | TUBE                      | 1   |            | PKG. OF 8 (3/8")(HEAT SHRINK)                        |
|     | R77503   | TUBE                      | 1   |            | PKG. OF 8 (3/16")(HEAT SHRINK)                       |
| 57  | RE11154  | KIT                       | 1   |            |  |

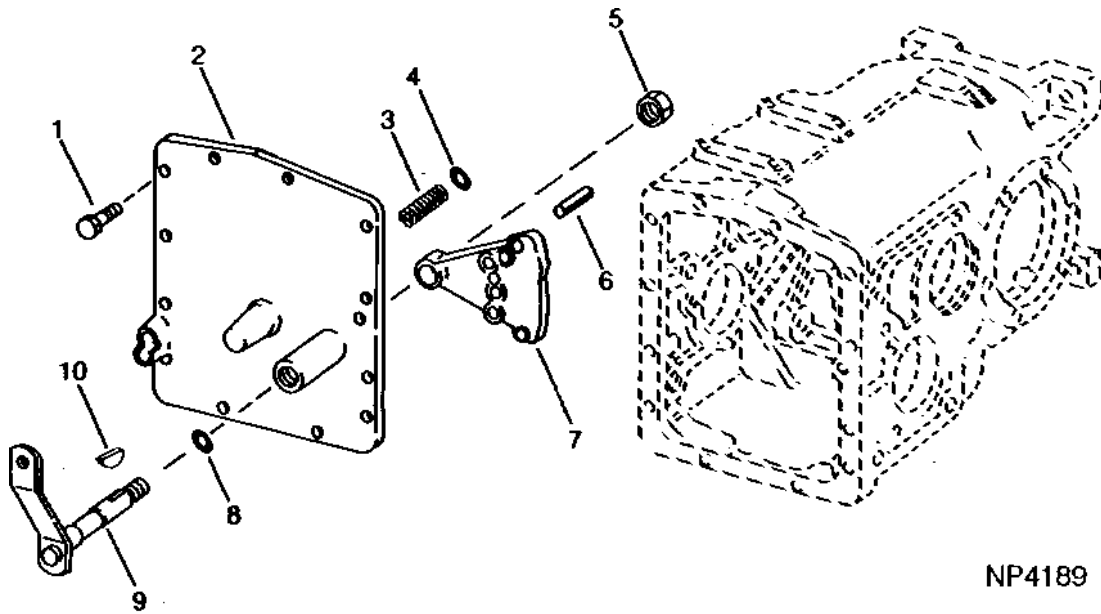
# 1120

POWER TRAIN

## TRANSMISSION AND DIFFERENTIAL HOUSING COVER AND SHIFTER CAM

NP4189

-UN-01JAN94



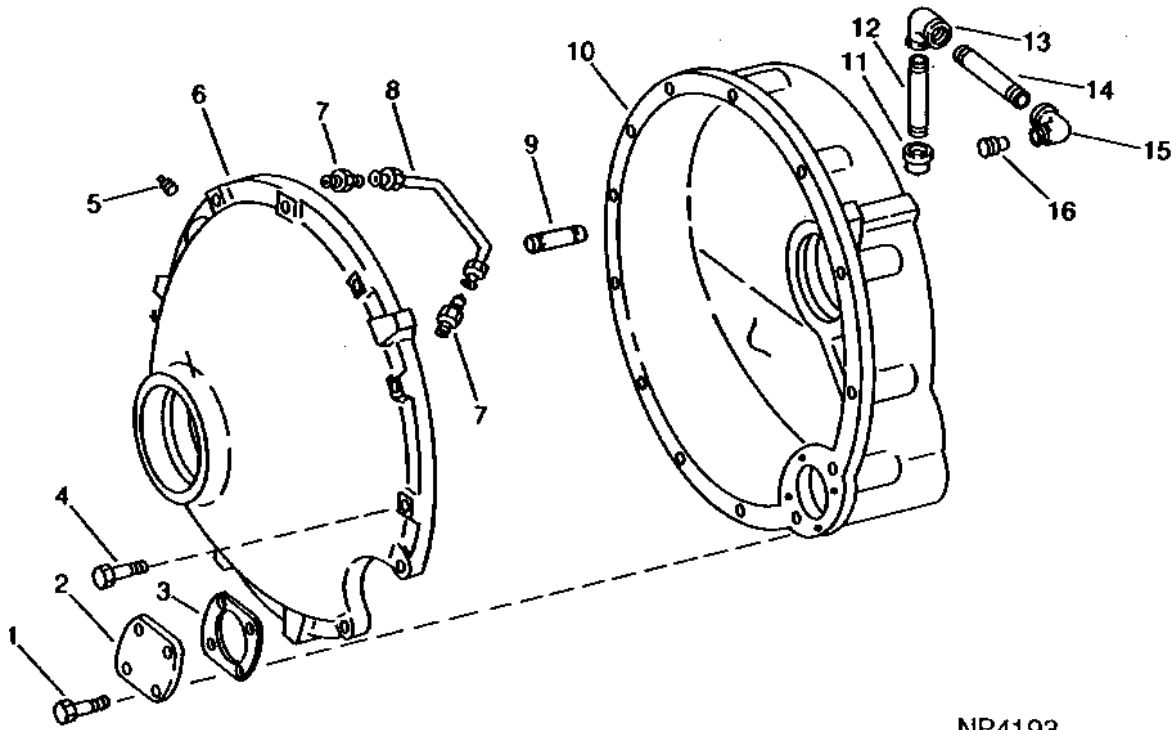
NP4189

| KEY | PART NO. | PART NAME  | QTY | SERIAL NO. | REMARKS                               |
|-----|----------|------------|-----|------------|---------------------------------------|
| 1   | 19M7786  | SCREW      | 12  |            | M10 X 30 (HS, HEAD MARKED 10.9)       |
| 2   | H137334  | COVER      | 1   |            | (SUB N199920, R26375 AND R33138)      |
| 3   | T27888   | SPRING     | 1   |            |                                       |
| 4   | R1818R   | BALL       | 1   |            |                                       |
| 5   | A31871   | LOCK NUT   | 1   |            | M24                                   |
| 6   | 34M7038  | SPRING PIN | 2   |            | 6 X 20 MM                             |
| 7   | N196854  | CAM        | 1   | 101-4000   |                                       |
|     | N198547  | CAM        | 1   | 4001-      |                                       |
| 8   | R71144   | O-RING     | 1   |            |                                       |
| 9   | AN194795 | SHAFT      | 1   |            | (SUB FOR AN193864) (SUB FOR AN193337) |
| 10  | 26M7003  | SHAFT KEY  | 1   |            | 5 X 22 MM                             |

# 1J6

## FINAL DRIVE HOUSING AND BEARING CAP

NP4193 -UN-01JAN94



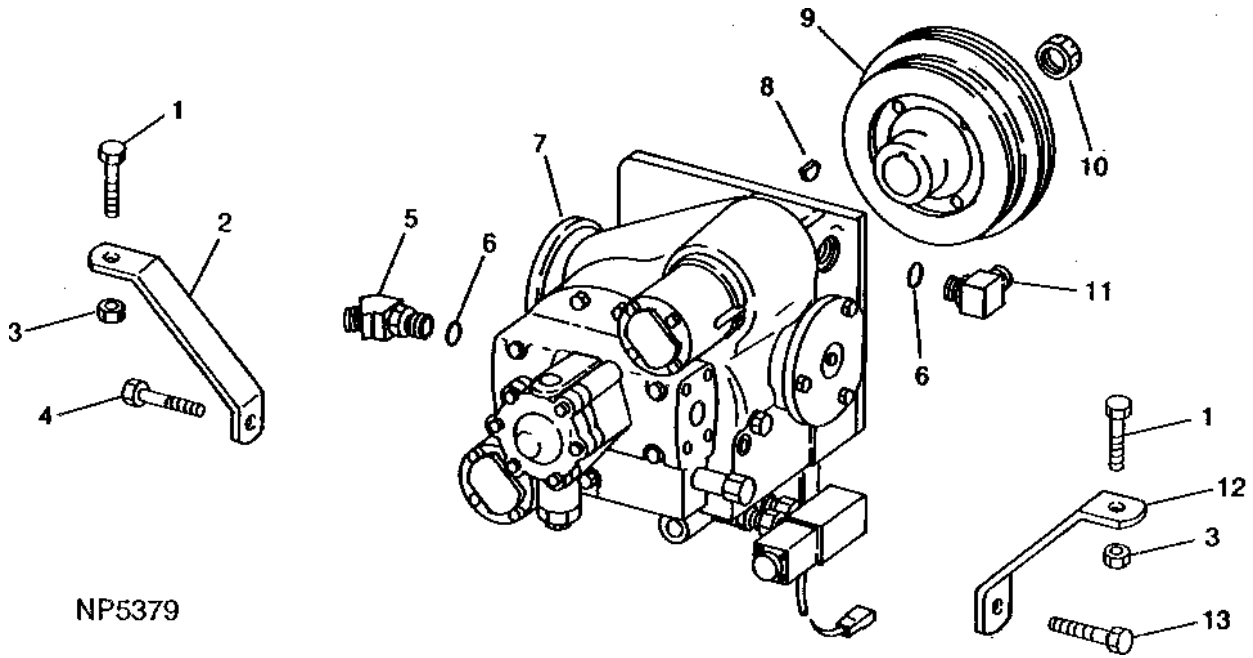
NP4193

| KEY | PART NO. | PART NAME           | QTY | SERIAL NO.                            | REMARKS |
|-----|----------|---------------------|-----|---------------------------------------|---------|
| 1   | 19M7835  | SCREW               | 4   | M10 X 35 (HS, HEAD MARKED 10.9)       |         |
| 2   | H133089  | CAP                 | 1   |                                       |         |
| 3   | H133096  | SHIM                | AR  | 0.50MM (0.020") (STEEL)               |         |
|     | H133097  | SHIM                | AR  | 0.25MM (0.010") (STEEL)               |         |
|     | H133098  | SHIM                | AR  | 0.13MM (0.005")(PLASTIC)(BLUE)        |         |
| 4   | 19M7824  | SCREW               | 12  | M16 X 60 (HS, HEAD MARKED 10.90)      |         |
| 5   | JD7760   | LUBRICATION FITTING | 1   |                                       |         |
| 6   | H133092  | HOUSING             | 1   | (OUTER)                               |         |
| 7   | R35352   | FITTING             | 2   |                                       |         |
| 8   | AH120736 | OIL LINE            | 1   |                                       |         |
| 9   | R54380   | DOWEL PIN           | 2   |                                       |         |
| 10  | H133090  | HOUSING             | 1   | (SUB H148286) R.H. (INNER)            |         |
|     | H133091  | HOUSING             | 1   | (SUB H148287 AND 15H584) L.H. (INNER) |         |
| 11  | 15H3     | FITTING             | 2   | 1/2"                                  |         |
| 12  | 29H594   | THREADED NIPPLE     | 2   | 1/2 X 3"                              |         |
| 13  | 15H577   | ELBOW FITTING       | 2   | 90 DEGREE 1/2                         |         |
| 14  | 29H217   | THREADED NIPPLE     | 2   | 1/2 X 5"                              |         |
| 15  | 15H602   | ELBOW FITTING       | 2   | 90 DEGREE 1/2                         |         |
| 16  | P46369   | FITTING             | 1   |                                       |         |
|     | 15H237   | PIPE PLUG           | 1   | 1/2"                                  |         |

# 1J15

NP5379 -UN-01JAN94

## HYDROSTATIC PUMP, SHEAVE AND FITTINGS



NP5379

| KEY | PART NO. | PART NAME          | QTY | SERIAL NO.     | REMARKS                      |
|-----|----------|--------------------|-----|----------------|------------------------------|
| 1   | E60315   | SELF-LOCKING SCREW | 2   |                |                              |
| 2   | N273156  | STRAP              | 1   |                |                              |
| 3   | N10215   | LOCK NUT           | 2   | 3/8"           |                              |
| 4   | 19H1773  | CAP SCREW          | 1   | 7/16" X 1-1/8" |                              |
| 5   | 38H1048  | ELBOW FITTING      | 1   |                |                              |
| 6   | U12547   | O-RING             | 2   |                |                              |
| 7   | AN194118 | HYDRAULIC PUMP     | 1   |                | HYDROSTATIC (REMANUFACTURED) |
| 8   | 26H41    | SHAFT KEY          | 1   | 5/16" X 2-1/8" |                              |
| 9   | N192762  | PULLEY             | 1   |                |                              |
| 10  | H77201   | NUT                | 1   | 1"             |                              |
| 11  | 38H1007  | ELBOW FITTING      | 1   |                |                              |
| 12  | N273157  | STRAP              | 1   |                |                              |
| 13  | 19H1907  | CAP SCREW          | 1   | 5/16" X 2-3/4" |                              |

# 1J25

POWER TRAIN

## HYDROSTATIC DRIVE DISPLACEMENT CONTROL VALVE - CONTINUED

| KEY | PART NO. | PART NAME      | QTY | SERIAL NO. | REMARKS                |
|-----|----------|----------------|-----|------------|------------------------|
| 1   | AH64759  | SWITCH         | 1   |            |                        |
| 2   | AN274302 | SWITCH         | 1   |            | (SUB FOR N126646)      |
| 3   | R46833   | O-RING         | 1   |            |                        |
| 4   | H871R    | BALL           | 1   |            |                        |
| 5   | 22H922   | SET SCREW      | 1   |            | 0.190" X 1/4"          |
| 6   | N126645  | ADAPTER        | 1   |            |                        |
| 7   | R26375   | O-RING         | 1   |            |                        |
| 8   | 19H1905  | CAP SCREW      | 4   |            | 5/16" X 1"             |
| 9   | 19H1875  | CAP SCREW      | 2   |            | 5/16" X 1-3/4"         |
| 10  | .....    | HOUSING        | 1   |            | (SUB AN122512)         |
| 11  | N126615  | WASHER         | 1   |            |                        |
| 12  | N126596  | SPRING         | 1   |            |                        |
| 13  | N126614  | RETAINER       | 1   |            |                        |
| 14  | N126613  | CAP SCREW      | 1   |            |                        |
| 15  | AN122588 | SPOOL          | 1   |            |                        |
| 16  | R27166   | O-RING         | 1   |            |                        |
| 17  | N126641  | SCREW          | 1   |            |                        |
| 18  | N126586  | GASKET         | 1   |            |                        |
| 19  | AN122494 | BOLT           | 1   |            |                        |
| 20  | AN192168 | LINK           | 1   |            |                        |
| 21  | M48000   | SNAP RING      | 2   |            |                        |
| 22  | AN192167 | LINK           | 1   |            |                        |
| 23  | N194061  | ARM            | 1   |            |                        |
| 24  | 34H311   | SPRING PIN     | 1   |            | 1/4" X 7/8"            |
| 25  | H130618  | PACKING        | 1   |            |                        |
| 26  | H130619  | ORIFICE        | 1   |            |                        |
| 27  | AN122499 | BOLT           | 1   |            | SET SCREW, SOCKET HEAD |
| 28  | AT49216  | FITTING PLUG   | 2   |            |                        |
| 29  | R26448   | O-RING         | 2   |            |                        |
| 30  | N126610  | RING           | 1   |            |                        |
| 31  | A3917R   | O-RING         | 1   |            | (SUB FOR R65286)       |
| 32  | AN193084 | SHAFT          | 1   |            |                        |
| 33  | N126604  | LEVER          | 1   |            |                        |
| 34  | 12H291   | LOCK WASHER    | 1   |            | 5/16"                  |
| 35  | 14H785   | NUT            | 1   |            | 5/16"                  |
| 36  | AN122512 | CONTROL VALVE  | 1   |            | KIT                    |
| 37  | 38H1160  | ADAPTER        | 2   |            |                        |
| 38  | T77613   | O-RING         | 2   |            |                        |
| 39  | 38H1067  | ADAPTER        | 2   |            |                        |
| 40  | R26448   | O-RING         | 4   |            |                        |
| 41  | AN194115 | SOLENOID VALVE | 1   |            |                        |

# 2B3

STEERING AND BRAKES

## STEERING POST AND SUPPORT - CONTINUED

| KEY | PART NO. | PART NAME          | QTY | SERIAL NO. | REMARKS                        |
|-----|----------|--------------------|-----|------------|--------------------------------|
| 1   | N192139  | BOOT               | 1   |            |                                |
| 2   | M2655T   | PLUG               | 2   |            | (SUB H99452)                   |
| 3   | T15005   | PLUG               | 2   |            |                                |
| 4   | N71292   | SELF-LOCKING SCREW | 4   |            |                                |
| 5   | T13911   | PLUG               | 1   |            |                                |
| 6   | AN193876 | COVER              | 1   |            | (SUB N198268 AND (4) R50198)   |
|     | N198268  | COVER              | 1   |            | (SUB N203512, N203070, H99452) |
| 7   | AN190951 | POST               | 1   |            |                                |
| 8   | N192138  | BOOT               | 1   |            |                                |
| 9   | 19H1732  | CAP SCREW          | 1   |            | 3/8" X 1-1/4"                  |
| 10  | T11234   | LOCK NUT           | 1   |            | 3/8"                           |
| 11  | N117934  | BUSHING            | 1   |            |                                |
| 12  | AN193826 | LATCH              | 1   |            |                                |
| 13  | J18468   | SPRING             | 1   |            |                                |
| 14  | K40015   | LOCK NUT           | 1   |            | 5/8"                           |
| 15  | 19H3185  | CAP SCREW          | 1   |            | 5/8" X 5-3/4" (HS, SAE 8)      |
| 16  | N185622  | SPACER             | 1   |            |                                |
| 17  | R50198   | NUT                | 4   |            | SPECIAL "U", (SUB FOR P47210)  |

# 2B13

STEERING AND BRAKES

STEERING HOSES AND TUBES TO HYDRAULIC CYLINDERS - CONTINUES  
(SERIAL NO. 101 - 111)

| KEY | PART NO. | PART NAME      | QTY | SERIAL NO. | REMARKS                         |
|-----|----------|----------------|-----|------------|---------------------------------|
| 1   | AN193626 | LINE           | 2   |            |                                 |
| 2   | R26572   | NUT            | 2   |            |                                 |
| 3   | T38959   | FITTING        | 2   |            |                                 |
| 4   | AE24616  | ELBOW FITTING  | 2   |            |                                 |
| 5   | AN180524 | HYDRAULIC HOSE | 4   |            | 9/16" X 2 591 MM (102") X 9/16" |
| 6   | AT35121  | ELBOW FITTING  | 2   |            |                                 |
| 7   | AT38033  | ELBOW FITTING  | 2   |            |                                 |
| 8   | R26448   | O-RING         | 4   |            |                                 |
| 9   | R44302   | TIE BAND       | AR  |            |                                 |

# 2B23

STEERING AND BRAKES

## PARK BRAKE VALVE LINES (SERIAL NO. 112 - )

| KEY | PART NO. | PART NAME     | QTY | SERIAL NO. | REMARKS   |
|-----|----------|---------------|-----|------------|-----------|
| 1   | R26448   | O-RING        | 1   |            |           |
| 2   | 38H1160  | ADAPTER       | 1   |            |           |
| 3   | T77613   | O-RING        | 4   |            |           |
| 4   | AN193623 | OIL LINE      | 1   |            |           |
| 5   | 38H1010  | ELBOW FITTING | 1   |            | 90 DEGREE |
| 6   | R26375   | O-RING        | 3   |            |           |
| 7   | 38H1171  | ADAPTER       | 1   |            |           |
| 8   | 38H1161  | ADAPTER       | 1   |            |           |
| 9   | T77857   | O-RING        | 1   |            |           |
| 10  | AN194119 | LINE          | 1   |            | RETURN    |
| 11  | AN194460 | LINE          | 1   |            | PRESSURE  |
| 12  | 38H1011  | ELBOW FITTING | 1   |            | 90 DEGREE |
| 13  | R26906   | O-RING        | 1   |            |           |
| 14  | R29936   | O-RING        | 1   |            |           |
| 15  | 38H1164  | ADAPTER       | 1   |            |           |
| 16  | T76938   | O-RING        | 1   |            |           |
| 17  | 38H1042  | TEE FITTING   | 1   |            |           |

---

MEMORANDA

# 2C20

HYDRAULICS

## CONTROL VALVE AND BRACKET - CONTINUED

| KEY | PART NO. | PART NAME          | QTY | SERIAL NO.                | REMARKS |
|-----|----------|--------------------|-----|---------------------------|---------|
| 1   | N14822   | SELF-LOCKING SCREW | 3   | 3/8" X 3/4"               |         |
| 2   | N10215   | LOCK NUT           | 4   | 3/8"                      |         |
| 3   | AN192663 | SUPPORT            | 1   |                           |         |
| 4   | N10214   | SELF-LOCKING SCREW | 1   | 3/8" X 1"                 |         |
| 5   | AN191032 | PLUG               | 2   |                           |         |
| 6   | H35230   | BACK-UP RING       | 6   | (K)                       |         |
| 7   | T13119   | O-RING             | 6   | (K)                       |         |
| 8   | AN191031 | PLUG               | 1   |                           |         |
| 9   | .....    | SPOOL              | 3   | (SUB AN191842)            |         |
| 10  | H36256   | O-RING             | 3   | (K)                       |         |
| 11  | .....    | HOUSING            | 1   | (SUB AN191842)            |         |
| 12  | R375R    | O-RING             | 3   | (K)                       |         |
| 13  | N111488  | BUSHING            | 3   |                           |         |
| 14  | N31767   | WASHER             | 6   |                           |         |
| 15  | H62801   | BUSHING            | 3   |                           |         |
| 16  | N118644  | SPRING             | 3   | INNER                     |         |
| 17  | N118645  | SPRING             | 3   | OUTER                     |         |
| 18  | H63987   | CAP SCREW          | 3   |                           |         |
| 19  | N111492  | SPOOL              | 2   |                           |         |
| 20  | Z29304   | O-RING             | 3   |                           |         |
| 21  | AN114602 | SEAT               | 3   |                           |         |
| 22  | AH80223  | POPPET             | 3   | (K)                       |         |
| 23  | N193166  | EYELET             | 3   |                           |         |
| 24  | E62245   | SPRING             | 3   |                           |         |
| 25  | AN191872 | ADAPTER            | 3   | PORT ADAPTOR              |         |
| 26  | AH78788  | PLUG               | 1   |                           |         |
| 27  | H135985  | PLUNGER            | 3   | (SUB FOR N193164)         |         |
| 28  | AN191842 | CONTROL VALVE      | 1   |                           |         |
| 29  | 12M7065  | LOCK WASHER        | 2   | 8 MM                      |         |
| 30  | 19H1913  | CAP SCREW          | 2   | 5/16" X 2-1/4"            |         |
| ..  | AN192650 | SEAL KIT           | 1   | CONTAINS PARTS MARKED (K) |         |

# 2D4

HYDRAULICS

HEIGHT SENSING HYDRAULIC LINES AND HOSES TOP OF UNIT TO VALVE - CONTINUED  
(IN-LINE UNITS)  
(SERIAL NO. 112 - )

| KEY | PART NO. | PART NAME          | QTY | SERIAL NO. | REMARKS                          |
|-----|----------|--------------------|-----|------------|----------------------------------|
| 1   | 38H1393  | ELBOW FITTING      | 6   |            |                                  |
| 2   | T77613   | O-RING             | 15  |            |                                  |
| 3   | 38H1094  | ELBOW FITTING      | 1   |            |                                  |
| 4   | 24H1381  | WASHER             | 6   |            | 23/32" X 1-1/4" X 0.060"         |
| 5   | T81029   | NUT                | 6   |            | 11/16"                           |
| 6   | AN194113 | HYDRAULIC HOSE     | 4   |            | 11/16" X 1 803 MM (71") X 11/16" |
| 7   | AN194120 | HYDRAULIC HOSE     | 2   |            | 11/16" X 1 956 MM (77") X 11/16" |
| 8   | AN194112 | OIL LINE           | 2   |            |                                  |
| 9   | 38H1171  | ADAPTER            | 4   |            |                                  |
| 10  | R26375   | O-RING             | 6   |            |                                  |
| 11  | AN193360 | CONTROL VALVE      | 2   |            |                                  |
| 12  | 38H1010  | ELBOW FITTING      | 2   |            |                                  |
| 13  | N14822   | SELF-LOCKING SCREW | 1   |            | 3/8" X 3/4"                      |
| 14  | N198296  | BRACKET            | 1   |            | LINES                            |
| 15  | N10215   | LOCK NUT           | 1   |            | 3/8"                             |

**BASKET TELESCOPING HYDRAULIC CYLINDERS, LINES AND HOSES - CONTINUED**  
(SERIAL NO. 101 - 111)

| KEY | PART NO. | PART NAME             | QTY | SERIAL NO. | REMARKS                         |
|-----|----------|-----------------------|-----|------------|---------------------------------|
| 1   | T77613   | O-RING                | 1   |            |                                 |
| 2   | AN193208 | LINE                  | 2   |            |                                 |
| 3   | 38H1278  | UNION FITTING         | 1   |            |                                 |
| 4   | AN194441 | LINE                  | 1   |            |                                 |
| 5   | AN193207 | LINE                  | 1   |            |                                 |
| 6   | 38H1004  | ELBOW FITTING         | 2   |            |                                 |
| 7   | R26448   | O-RING                | 1   |            |                                 |
| 8   | AN193303 | HYDRAULIC CYLINDER    | 1   |            | 1.50 S.A. SLAVE                 |
| 9   | AN193302 | HYDRAULIC CYLINDER    | 1   |            | 1.50 D.A. MASTER                |
| 10  | 38H1160  | ADAPTER               | 1   |            |                                 |
| 11  | 11M7028  | COTTER PIN            | 2   |            | 5 X 32 MM                       |
| 12  | KK4519B  | PIN                   | 2   |            |                                 |
| 13  | 19H2329  | CAP SCREW             | 2   |            | 1" X 5-1/2"                     |
| 14  | M18739   | LOCK NUT              | 2   |            | 1"                              |
| 15  | R27212   | FITTING               | 1   |            |                                 |
| 16  | AT36921  | TEE FITTING           | 1   |            |                                 |
| 17  | AN230281 | HYDRAULIC HOSE        | 1   |            |                                 |
| 18  | R39249   | ADAPTER               | 1   |            |                                 |
| 19  | AN33434  | TEE FITTING           | 2   |            |                                 |
| 20  | AH75164  | ELBOW FITTING         | 1   |            |                                 |
| 21  | AN193888 | FITTING               | 1   |            |                                 |
| 22  | N188850  | PRESSURE RELIEF VALVE | 1   |            |                                 |
| 23  | AN180524 | HYDRAULIC HOSE        | 1   |            | 9/16" X 2 591 MM (102") X 9/16" |
| 24  | N188381  | FITTING               | 1   |            |                                 |
| 25  | 38H1067  | ADAPTER               | 1   |            |                                 |
| 26  | AN193951 | LINE                  | 1   |            |                                 |
| 27  | AN193209 | LINE                  | 1   |            |                                 |
| 28  | H35247   | WASHER                | 1   |            |                                 |
| 29  | H35248   | SCREW                 | 1   |            |                                 |

**HYDRAULIC PUMP SUCTION AND BLEED-OFF HOSES AND FITTINGS - CONTINUED  
(SERIAL NO. 101 - 111)**

| KEY | PART NO. | PART NAME     | QTY | SERIAL NO. | REMARKS                           |
|-----|----------|---------------|-----|------------|-----------------------------------|
| 1   | .....    | HOSE          | 1   |            | RETURN (MAKE FROM 68" OF N112006) |
| 2   | AR48236  | CLAMP         | 2   |            |                                   |
| 3   | AR85574  | ELBOW FITTING | 1   |            |                                   |
| 4   | R26448   | O-RING        | 1   |            |                                   |
| 5   | R29936   | O-RING        | 1   |            |                                   |
| 6   | AN193089 | ELBOW FITTING | 1   |            |                                   |
| 7   | AR21839  | CLAMP         | 1   |            |                                   |
| 8   | .....    | HOSE          | 1   |            | 31", (MAKE FROM TY22332)          |
| 9   | AT69845  | ELBOW FITTING | 1   |            |                                   |
| 10  | U13639   | O-RING        | 1   |            |                                   |
| 11  | R26287   | O-RING        | 1   |            |                                   |
| 12  | AR87917  | HOSE FITTING  | 1   |            |                                   |

MAIN HYDRAULIC PRESSURE LINES AND FITTINGS - CONTINUED  
(SERIAL NO. 112 - )

| KEY | PART NO. | PART NAME      | QTY | SERIAL NO. | REMARKS  |
|-----|----------|----------------|-----|------------|--|
| 1   | R26906   | O-RING         | 1   |            |  |
| 2   | 38H1174  | ADAPTER        | 1   |            |  |
| 3   | T77857   | O-RING         | 8   |            | IN-PORT  |
| 4   | AN193956 | OIL LINE       | 1   |            |  |
| 5   | 38H1504  | FITTING        | 1   |            |  |
| 6   | AN193963 | OIL LINE       | 1   |            |  |
| 7   | 38H1505  | TEE FITTING    | 1   |            |  |
| 8   | 24H1939  | WASHER         | 1   |            | 27/32" X 1-3/8" X 0.120"                                   |
| 9   | T78716   | NUT            | 3   |            | 13/16"   |
| 10  | AN193962 | OIL LINE       | 1   |            |  |
| 11  | 38H1323  | ELBOW FITTING  | 1   |            |  |
| 12  | AN193966 | HYDRAULIC HOSE | 1   |            | 13/16" X 1 359 MM (53-1/2") X 13/16", TO<br>HYDRAULIC PUMP |
| 13  | 38H1175  | ADAPTER        | 1   |            | L.H. PORT  |
| 14  | U12547   | O-RING         | 1   |            |  |

# 2E18

HYDRAULICS

CONVEYOR MOTOR HYDRAULIC LINES AND HOSES - CONTINUED  
(SERIAL NO. 112 - )

| KEY | PART NO. | PART NAME      | QTY | SERIAL NO. | REMARKS                                    |
|-----|----------|----------------|-----|------------|--|
| 1   | T77857   | O-RING         | 6   |            |  |
| 2   | 38H1031  | TEE FITTING    | 2   |            |  |
| 3   | AN193949 | LINE           | 2   |            |  |
| 4   | R26906   | O-RING         | 2   |            |  |
| 5   | 38H1012  | ELBOW FITTING  | 2   |            |  |
| 6   | T77613   | O-RING         | 3   |            |  |
| 7   | 38H1023  | TEE FITTING    | 1   |            |  |
| 8   | R26448   | O-RING         | 1   |            |  |
| 9   | AN194009 | HYDRAULIC HOSE | 1   |            | 11/16" X 616 MM (24-1/4") X 11/16", PORT A |
| 10  | AN195081 | CHECK VALVE    | 1   |            | (SUB FOR AN193883)                         |
| 11  | N114610  | ORIFICE        | 1   |            | SLOT FACING UPWARDS                        |
| 12  | R26375   | O-RING         | 2   |            |  |
| 13  | N198292  | FITTING        | 1   |            |  |
| 14  | 38H1068  | ADAPTER        | 1   |            |  |
| 15  | AN194006 | HYDRAULIC HOSE | 1   |            | 13/16" X 4 445 MM (175") X 1"              |
| 16  | AN194626 | HYDRAULIC HOSE | 1   |            | 11/16" X 3 708 MM (146") X 13/16", PORT A  |
| 17  | B13403   | HOOK           | 2   |            |  |
| 18  | M67099   | STRAP          | 1   |            |  |
| 19  | N198696  | CONDUIT        | 1   |            |  |
| 20  | N198631  | CLAMP          | 1   |            |  |
| 21  | 19H1945  | CAP SCREW      | 1   |            | 1/2" X 3-1/4"                              |
| 22  | N165093  | LOCK NUT       | 1   |            | 1/2"                                       |

CLICK HERE TO **DOWNLOAD** THE COMPLETE MANUAL

- Thank you very much for reading the preview of the manual.
- You can download the complete manual from: [www.heydownloads.com](http://www.heydownloads.com) by clicking the link below



- Please note: If there is no response to CLICKING the link, please download this PDF first and then click on it.

CLICK HERE TO **DOWNLOAD** THE COMPLETE MANUAL

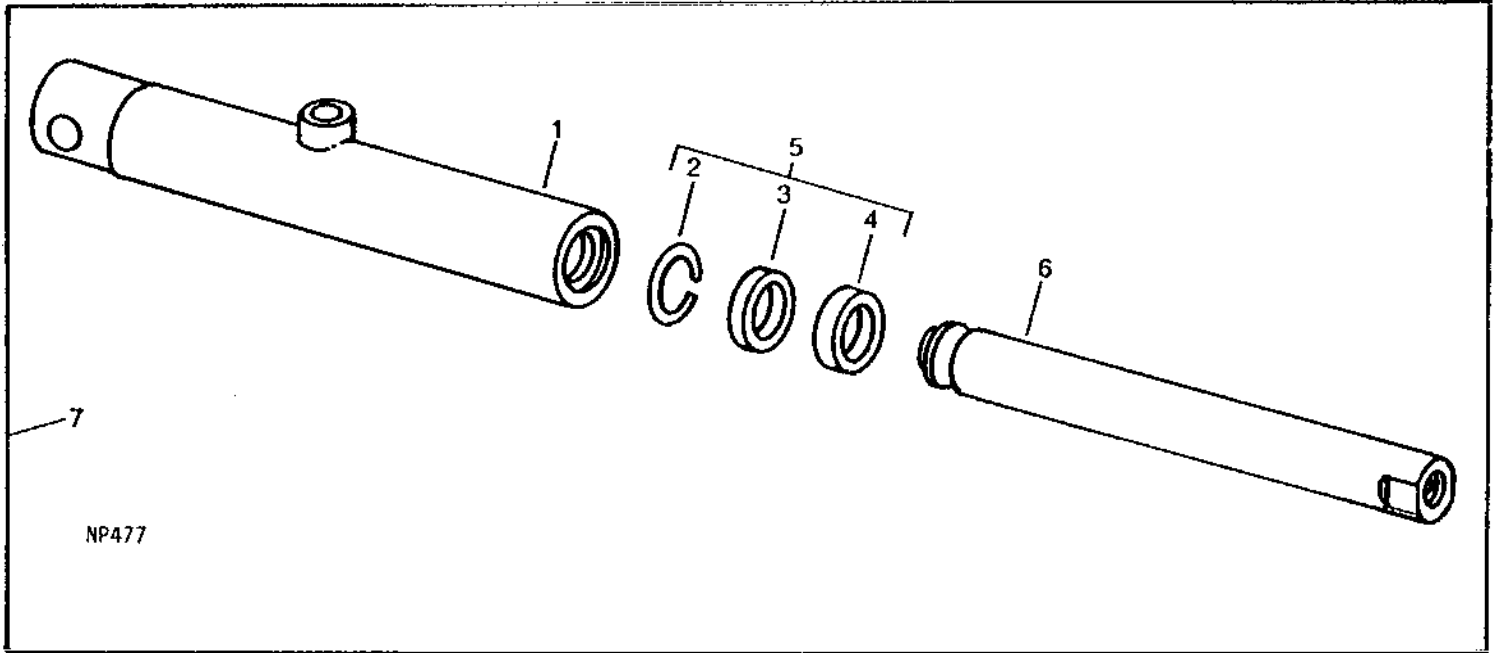
# 2F3

HYDRAULICS

## UNIT LIFT CYLINDER (CONVENTIONAL UNITS)

NP477

-UN-01JAN94



| KEY | PART NO. | PART NAME                 | QTY | SERIAL NO. | REMARKS       |
|-----|----------|---------------------------|-----|------------|---------------|
| 1   | AN192699 | HYDRAULIC CYLINDER BARREL | 1   |            |               |
| 2   | H31337   | SNAP RING                 | 1   |            |               |
| 3   | .....    | SEAL                      | 1   |            | SUB. AN190516 |
| 4   | E52577   | SEAL                      | 1   |            |               |
| 5   | AN190516 | KIT                       | 1   |            |               |
| 6   | N118636  | ROD                       | 1   |            |               |
| 7   | AN192700 | HYDRAULIC CYLINDER        | 1   |            |               |

# 2F15

WHEELS, REAR AXLES AND SHEET METAL

## MAIN FRAME, FRONT AXLE AND ENGINE RAILS - CONTINUED

| KEY | PART NO. | PART NAME   | QTY | SERIAL NO. | REMARKS                                     |
|-----|----------|-------------|-----|------------|---|
| 1   | AN193450 | FRONT AXLE  | 1   |            |   |
| 2   | AN194665 | FRAME       | 1   |            | (INCLUDES DECALS)                           |
|     | N129402  | SIGN        | 2   |            | BASKET WARNING                              |
|     | N194944  | LABEL       | 1   |            | AIR VALVE                                   |
| 3   | AN193150 | FRAME       | 1   | 101-2000   | (SUB AN195148) R.H.                         |
|     | AN195148 | FRAME       | 1   | 2001-4000  | R.H.  |
|     | AN195268 | FRAME       | 1   | 4001-      | R.H.  |
|     | AN193151 | FRAME       | 1   | 101-2000   | (SUB AN195149) L.H.                         |
|     | AN195149 | FRAME       | 1   | 2001-4000  | L.H.  |
|     | AN195269 | FRAME       | 1   | 4001-      | L.H.  |
| 4   | N196242  | PLATE       | 2   | 101-4000   |   |
|     | N199942  | PLATE       | 2   | 4001-      |   |
| 5   | 19H1815  | CAP SCREW   | 4   | 101-2000   | 1/2" X 1-1/4"                               |
|     | 19H1734  | CAP SCREW   | 6   | 2001-      | 5/8" X 2"                                   |
| 6   | 24H1254  | WASHER      | 4   | 101-2000   | 17/32" X 1-1/8" X 0.105"                    |
|     | 24H1367  | WASHER      | 12  | 2001-      | 21/32" X 1-1/4" X 1/4"                      |
| 7   | 12H301   | LOCK WASHER | 4   | 101-2000   | 1/2"  |
|     | 12H294   | LOCK WASHER | 6   | 2001-      | 5/8"  |
| 8   | 14H1040  | NUT         | 4   | 101-2000   | 1/2"  |
|     | 14H1039  | NUT         | 4   | 2001-      | 5/8"  |
| 9   | 19H1798  | CAP SCREW   | 26  | 101-4000   | 3/4" X 1-3/4"                               |
|     | 19H1798  | CAP SCREW   | 14  | 4001-      | 3/4" X 1-3/4"                               |
| 10  | 12H236   | LOCK WASHER | 26  | 101-4000   | 3/4"  |
|     | 12H236   | LOCK WASHER | 14  | 4001-      | 3/4"  |
| 11  | 14H1058  | NUT         | 14  |            | 3/4"  |
| 12  | 19H2464  | CAP SCREW   | 2   |            | 1" X 4-1/2", FULL THREAD                    |
| 13  | 14H806   | NUT         | 4   |            | 1", JAM                                     |
| 14  | 19H2233  | CAP SCREW   | 4   |            | 5/8" X 3-1/2"                               |
| 15  | 24H1367  | WASHER      | 10  |            | 21/32" X 1-1/4" X 1/4"                      |
| 16  | 12H294   | LOCK WASHER | 16  |            | 5/8"  |
| 17  | 14H1039  | NUT         | AR  |            | 5/8"  |
| 18  | AN193739 | BRACE       | 2   |            |   |
| 19  | 19H2328  | CAP SCREW   | 2   |            | 5/8" X 4"                                   |
| 20  | 24H1371  | WASHER      | 4   |            | 21/32" X 1-3/8" X 0.194"                    |
| 21  | 19H1824  | CAP SCREW   | 10  |            | 5/8" X 2-1/4"                               |
| 22  | 19H1756  | CAP SCREW   | 3   |            | 5/8" X 1-1/2"                               |
| 23  | 19H1734  | CAP SCREW   | 3   |            | 5/8" X 2"                                   |
| 24  | AN194807 | SUPPORT     | 1   |            | ROCKSHAFT BRG (CONVENTIONAL UNITS-SKIP ROW) |
| 25  | 24H1367  | WASHER      | 2   |            | 21/32" X 1-1/4" X 1/4"                      |
| 26  | 19H1847  | CAP SCREW   | 12  | 4001-      | 5/8" X 2-1/2"                               |

# 2F25

WHEELS, REAR AXLES AND SHEET METAL

## RADIATOR SUPPORTS AND SIDE SCREENS - CONTINUED

| KEY | PART NO. | PART NAME          | QTY | SERIAL NO. | REMARKS   |
|-----|----------|--------------------|-----|------------|---|
| 1   | N198119  | SIDE WALL          | 1   |            | RADIATOR L.H. (SUB H23124 AND N272869)                              |
| 2   | N10216   | SELF-LOCKING SCREW | 4   |            | 1/4" X 3/4"   |
| 3   | M40333   | LOCK NUT           | 4   |            | 1/4"  |
| 4   | 24H1287  | WASHER             | 4   |            | 9/32" X 5/8" X 0.065"   |
| 5   | N190092  | ANGLE              | 2   |            |   |
| 6   | .....    | FOAM PAD           | 2   |            | (MAKE FROM 26-1/8 INCHES OF R30937)                                 |
| 7   | N273328  | SIDE WALL          | 1   |            | RADIATOR R.H. (SUB FOR N198118 AND N199516)                         |
| 8   | N198315  | PARTITION          | 1   |            | L.H.  |
| 9   | .....    | FOAM PAD           | 1   |            | L.H. SIDE (MAKE FROM 8.27 INCHES OF R30937)                         |
| 10  | N198114  | COVER              | 1   |            | HARNESS   |
| 11  | N198314  | PARTITION          | 1   |            | R.H.  |
| 12  | 03H1765  | BOLT               | AR  |            | 3/8" X 3/4"   |
| 13  | N10215   | LOCK NUT           | AR  |            | 3/8"  |
| 14  | N192422  | ISOLATOR           | 3   |            |   |
| 15  | .....    | FOAM PAD           | 2   |            | (SUB R30936)  |
| 16  | 19H1732  | CAP SCREW          | 1   |            | 3/8" X 1-1/4"   |
| 17  | N31583   | PLUG               | 1   |            |   |
| 18  | N198090  | ISOLATOR           | 1   |            |   |
| 19  | N196630  | COVER              | 1   |            | PUMP  |
| 20  | R49921   | CLAMP              | 2   |            | STEERING PUMP   |
| 21  | N198702  | ISOLATOR           | 1   |            | SUCTION HOSE  |
| 22  | 03H1825  | BOLT               | 1   |            | 5/16" X 1-1/2"  |
| 23  | N197787  | DOOR               | 1   |            |   |
| 24  | P47159   | CLAMP              | 1   |            |   |
| 25  | T66742   | COMPRESSION SPRING | 1   |            |   |
| 26  | T16464   | LOCK NUT           | 1   |            | 5/16"   |
| 27  | N197941  | ANGLE              | 1   |            |   |
| 28  | N196009  | PANEL              | 1   |            | (SUB N278980, (2) 03M7190, (2) 24M7053 AND<br>(2) E63526) R.H. REAR |
|     | N278980  | PANEL              | 1   |            |   |
| 29  | H88188   | SCREW              | 11  |            | 3/8" X 1"   |
| 30  | N197942  | ANGLE              | 2   |            |   |
| 31  | N191488  | ISOLATOR           | 1   |            |   |
| 32  | R35769   | SPRING             | 1   |            |   |
| 33  | AN193440 | SCREEN             | 1   |            | REAR  |
|     | JD5400   | SMV EMBLEM         | 1   |            | SMV   |
| 34  | N197932  | PANEL              | 1   |            | L.H. REAR   |
| 35  | N118564  | PANEL              | 1   |            | R.H.  |
|     | N197936  | PANEL              | 1   |            | L.H. (ILLUSTRATED)  |
| 36  | N119492  | REINFORCEMENT      | 1   | 101-111    |   |
|     | N198508  | SUPPORT            | 1   | 112-       |   |
|     | M84224   | GROMMET            | 1   |            |   |
| 37  | N191487  | ISOLATOR           | 1   |            | 1/4 X 94 INCH   |
| 38  | N196010  | STOP               | 2   |            | SCREEN LOWER  |
| 39  | N190577  | POST               | 2   |            |   |
| 40  | AN115104 | SCREEN             | 4   |            |   |
| 41  | N196629  | COVER              | 1   |            | L.H. REAR (ILLUSTRATED)   |
|     | N196628  | COVER              | 1   |            | R.H. REAR   |
| 42  | N196023  | PANEL              | 1   |            | FUEL TANK L.H. (ILLUSTRATED)  |
|     | N196022  | PANEL              | 1   |            | FUEL TANK R.H.  |
| 43  | N202175  | ISOLATOR           | 1   |            |   |
| ..  | N271002  | SEALANT            | 1   |            | GREEN, TUBE   |

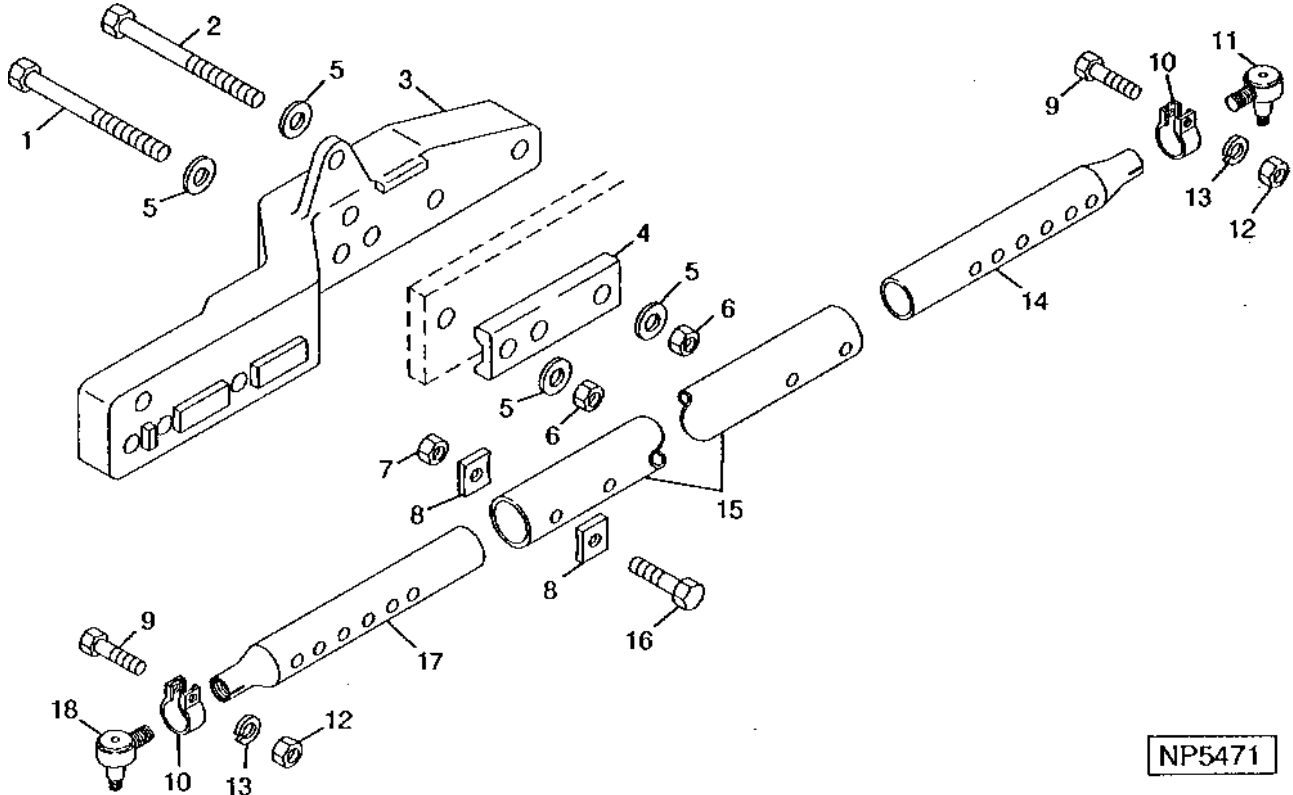
# 2G10

WHEELS, REAR AXLES AND SHEET METAL

## REAR AXLE EXTENSIONS

NP5471

-UN-01JAN94



NP5471

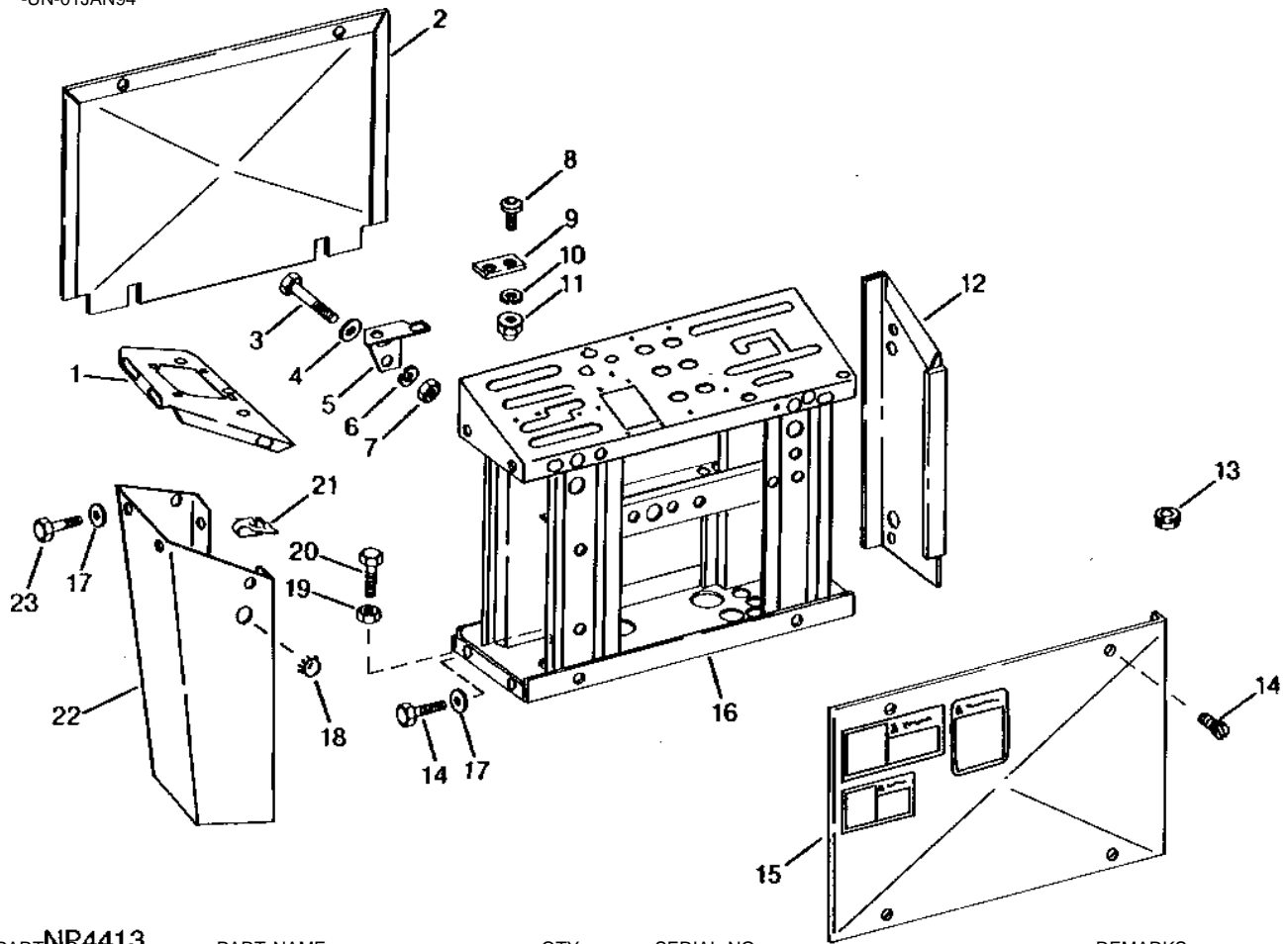
| KEY | PART NO.        | PART NAME                          | QTY | SERIAL NO. | REMARKS                          |
|-----|-----------------|------------------------------------|-----|------------|----------------------------------|
| 1   | 19H3667         | CAP SCREW                          | 4   |            | 7/8" X 8-1/2" (HS, SAE 8)        |
| 2   | 19H3630         | CAP SCREW                          | 1   |            | 7/8" X 7-1/2" (HS, SAE 8)        |
| 3   | N272005         | EXTENSION                          | 1   |            | L.H. (ILLUSTRATED)               |
|     | N272004         | EXTENSION                          | 1   |            | R.H.                             |
| 4   | N272178         | SPACER                             | 1   |            |                                  |
| 5   | R52006          | WASHER                             | 10  |            |                                  |
| 6   | 14H1077         | NUT                                | 5   |            | 7/8"                             |
| 7   | H137329         | LOCK NUT                           | 2   |            |                                  |
| 8   | H139807         | CLAMP                              | 2   |            |                                  |
| 9   | 19H1890         | CAP SCREW                          | 2   |            | 5/8" X 2-3/4"                    |
| 10  | R66307          | CLAMP                              | 2   |            |                                  |
| 11  | AR63589         | TIE ROD END                        | 1   |            |                                  |
| 12  | 14H1039         | NUT                                | 2   |            | 5/8"                             |
| 13  | 12H294          | LOCK WASHER                        | 2   |            | 5/8"                             |
| 14  | N272648         | TUBE                               | 1   |            |                                  |
| 15  | H140382         | TUBE                               | 1   |            |                                  |
| 16  | 19M7820         | SCREW                              | 2   |            | M12 X 100 (HS, HEAD MARKED 10.9) |
| 17  | N272649         | TUBE                               | 1   |            |                                  |
| 18  | AN272258        | TIE ROD END                        | 1   |            |                                  |
| ..  | <b>BN272020</b> | <b>COMPLETE GOODS/SHIP. BUNDLE</b> | 1   |            | <b>5-ROW GUIDE AXLE</b>          |
| ..  | <b>BN272064</b> | <b>COMPLETE GOODS/SHIP. BUNDLE</b> | 1   |            | <b>TIE ROD (1)</b>               |

# 2G22

OPERATOR STATION

NP4413 -UN-01JAN94

## CONSOLE



| KEY | PART NO. | PART NAME          | QTY | SERIAL NO.            | REMARKS                       |
|-----|----------|--------------------|-----|-----------------------|-------------------------------|
| 1   | N129950  | PANEL              | 1   |                       |                               |
| 2   | N190742  | SHEET              | 1   |                       |                               |
| 3   | 21H1381  | SCREW              | 2   | 0.112" X 3/4"         |                               |
| 4   | 24H1281  | WASHER             | AR  | 5/32" X 3/8" X 0.049" |                               |
| 5   | N198086  | BRACKET            | 1   |                       |                               |
| 6   | 12H313   | LOCK WASHER        | 2   | 0.112"                |                               |
| 7   | 14H1000  | NUT                | 2   | 0.112"                |                               |
| 8   | N198087  | CAP SCREW          | 4   |                       |                               |
| 9   | N197323  | STRAP              | 1   |                       |                               |
| 10  | 12H246   | LOCK WASHER        | 2   | 0.190"                |                               |
| 11  | 14H631   | NUT                | 2   | 0.190"                |                               |
| 12  | N198293  | SHEET              | 1   |                       |                               |
| 13  | T59423   | GROMMET            | 1   |                       |                               |
| 14  | 37H84    | SCREW              | AR  | 1/4 X 3/4             |                               |
| 15  | AN193908 | PANEL              | 1   |                       | (INCLUDES DECALS)             |
|     | N198305  | LABEL              | 1   |                       | TIP WARNING                   |
|     | N195552  | SIGN               | 1   |                       | DANGER/ELECTRIC               |
| 16  | AN193855 | CONSOLE            | 1   |                       |                               |
| 17  | 24H1287  | WASHER             | 8   | 9/32" X 5/8" X 0.065" |                               |
| 18  | N199531  | PLUG               | 2   |                       |                               |
| 19  | N10215   | LOCK NUT           | 3   | 3/8"                  |                               |
| 20  | N14822   | SELF-LOCKING SCREW | 3   | 3/8" X 3/4"           |                               |
| 21  | N31257   | NUT                | AR  |                       |                               |
| 22  | N194228  | SUPPORT            | 1   | 101-2000              | (SUB N199164 AND (2) N199531) |
|     | N199164  | SUPPORT            | 1   | 2001-                 |                               |
| 23  | 37H23    | SCREW              | 4   |                       | 1/4 X 1/2                     |

# 2H8

OPERATOR STATION

## HANDRAIL AND STEP - CONTINUED (CONVENTIONAL UNITS)

| KEY | PART NO. | PART NAME | QTY | SERIAL NO. | REMARKS                |
|-----|----------|-----------|-----|------------|------------------------|
| 1   | AN194776 | HANDRAIL  | 1   |            | FRONT                  |
| 2   | N279298  | CAP       | 1   |            | (SUB FOR N198081)      |
| 3   | 19H1765  | CAP SCREW | AR  |            | 3/8" X 1-3/4"          |
| 4   | 24M7178  | WASHER    | AR  |            | 10.500 X 30 X 2.500 MM |
| 5   | T11234   | LOCK NUT  | AR  |            | 3/8"                   |
| 6   | N198591  | TUBE      | 1   |            |                        |
| 7   | N198619  | BRACE     | 1   |            | PLATFORM STEP          |
| 8   | N199574  | STEP      | 1   |            | (SUB FOR AN194465)     |
| 9   | 19H1726  | CAP SCREW | 1   |            | 3/8" X 2-1/4"          |
| 10  | R20759   | GROMMET   | 2   |            |                        |
| 11  | 19H2128  | CAP SCREW | 2   | 4001-      | 3/8" X 3"              |
| 12  | 24H1308  | WASHER    | 14  | 4001-      | 13/32" X 1" X 0.134"   |
| 13  | N272775  | GUARD     | 1   | 4001-      | HOSE                   |

# 2H17

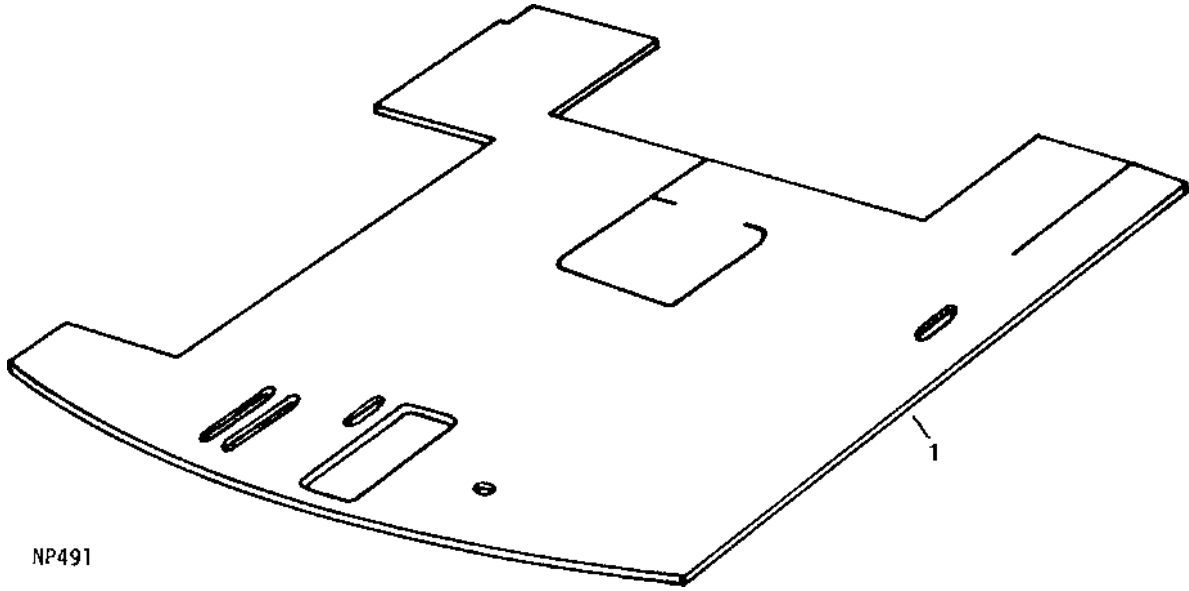
OPERATOR STATION

## SEAT ADJUSTMENT AND COVER - CONTINUED (PERSONAL-POSTURE™ SEAT)

| KEY | PART NO. | PART NAME          | QTY | SERIAL NO. | REMARKS                     |
|-----|----------|--------------------|-----|------------|-----------------------------|
| 1   | 19M7163  | CAP SCREW          | 12  |            | M8 X 25                     |
| 2   | 12M7032  | LOCK WASHER        | 12  |            | 8.400 MM, (SUB FOR 12M7022) |
| 3   | 14M7273  | NUT                | 8   |            | M8                          |
| 4   | AL28559  | RAIL               | 1   |            | (SUB AL64522 AND 19M7864)   |
| 5   | N10212   | SELF-LOCKING SCREW | 4   |            | 5/16" X 3/4"                |
| 6   | L55735   | BRACKET            | 1   |            |                             |
| 7   | AL36668  | ADJUSTER           | 1   |            |                             |
| 8   | L38869   | PLATE              | 2   |            |                             |
| 9   | L38864   | PLATE              | 1   |            |                             |
| 10  | AL41473  | PLATE              | 1   |            |                             |
| 11  | L42040   | BUMPER             | 2   |            |                             |
| 12  | 24M7117  | WASHER             | 2   |            | 4.300 X 9 X 0.800 MM        |
| 13  | L42039   | RIVET              | 2   |            |                             |
| 14  | AL36686  | BOOT               | 1   |            |                             |
| 15  | 24H1136  | WASHER             | 4   |            | 11/32" X 11/16" X 0.065"    |
| 16  | L38892   | PLUG               | 36  |            |                             |

NP491 -UN-01JAN94

## FLOOR MAT



| KEY | PART NO. | PART NAME | QTY | SERIAL NO. | REMARKS |
|-----|----------|-----------|-----|------------|---------|
| 1   | N194385  | MAT       | 1   |            |         |

**HEATER CONTROL VALVE AND HOSES - CONTINUED**  
**(SERIAL NO. 101 - 4000)**

| KEY | PART NO. | PART NAME     | QTY | SERIAL NO. | REMARKS  |
|-----|----------|---------------|-----|------------|--|
| 1   | AH12614  | VALVE         | 1   |            | SHUTOFF  |
| 2   | AR21837  | CLAMP         | 10  |            |  |
| 3   | H77698   | TIE BAND      | AR  |            |  |
| 4   | .....    | HOSE          | 2   |            | (MAKE FROM TY22328) 5/8" X 160" (16 X 4267 MM) |
| 5   | 03H1468  | BOLT          | 2   |            | 3/8" X 1-3/4", W/FULL THREAD                   |
| 6   | N10213   | LOCK NUT      | 4   |            | 5/16"  |
| 7   | N194748  | SPACER        | 2   |            | 3/8" X 3/4"                                    |
| 8   | R50454   | CLAMP         | 4   |            |  |
| 9   | H81010   | BUSHING       | 2   |            |  |
| 10  | .....    | HOSE          | 1   |            | (MAKE FROM TY22328) 5/8" X 194" (16 X 4928 MM) |
| 11  | .....    | HOSE          | 1   |            | (MAKE FROM TY22328) 5/8" X 117" (16 X 2972 MM) |
| 12  | AH77869  | CLIP          | 1   |            |  |
| 13  | 21H1069  | SCREW         | 1   |            | 3/8" X 1", TRUSS HD.                           |
| 14  | 12H304   | LOCK WASHER   | 1   |            | 3/8"   |
| 15  | 14H1076  | NUT           | 1   |            | 3/8"   |
| 16  | R65475   | GROMMET       | 3   |            |  |
| 17  | R65472   | PANEL         | 2   |            |  |
| 18  | AR69370  | KNOB          | 1   |            |  |
| 19  | AR100056 | CONTROL VALVE | 1   |            |  |
| 20  | 37H49    | SCREW         | 2   |            | NO. 10 X 1/2"                                  |
| 21  | H102711  | HOSE          | 1   |            | HEATER   |
| 22  | .....    | HOSE          | 1   |            | 5/8" X 115" (16 X 2921 MM) (MAKE FROM TY22328) |
| 23  | AR99646  | LINE          | 1   |            |  |
| 24  | 28H1496  | SPACER        | 1   |            | 0.493" X 0.675" X 1-1/8"                       |
| 25  | 12M7065  | LOCK WASHER   | 1   |            | 8 MM   |
| 26  | 19H2852  | CAP SCREW     | 1   |            | 5/16" X 4" (HS, SAE 8)                         |
| 27  | R26906   | O-RING        | 1   |            |  |
| 28  | AR26724  | ELBOW FITTING | 1   |            |  |
| 29  | R46414   | CLAMP         | 1   |            |  |

COMPRESSOR PARTS - CONTINUED  
(NIPPONDENSO)

| KEY | PART NO. | PART NAME         | QTY | SERIAL NO. | REMARKS |
|-----|----------|-------------------|-----|------------|---------|
| 1   | RE10979  | PLATE             | 1   |            |         |
| 2   | R77397   | VALVE             | 2   |            |         |
| 3   | RE10978  | PLATE             | 1   |            |         |
| 4   | R77399   | PACKING           | 1   |            |         |
| 5   | RE10973  | KIT               | 1   | SEAL       |         |
| 6   | RE10977  | HOUSING           | 1   |            |         |
| 7   | R77396   | SOCKET HEAD SCREW | 6   |            |         |

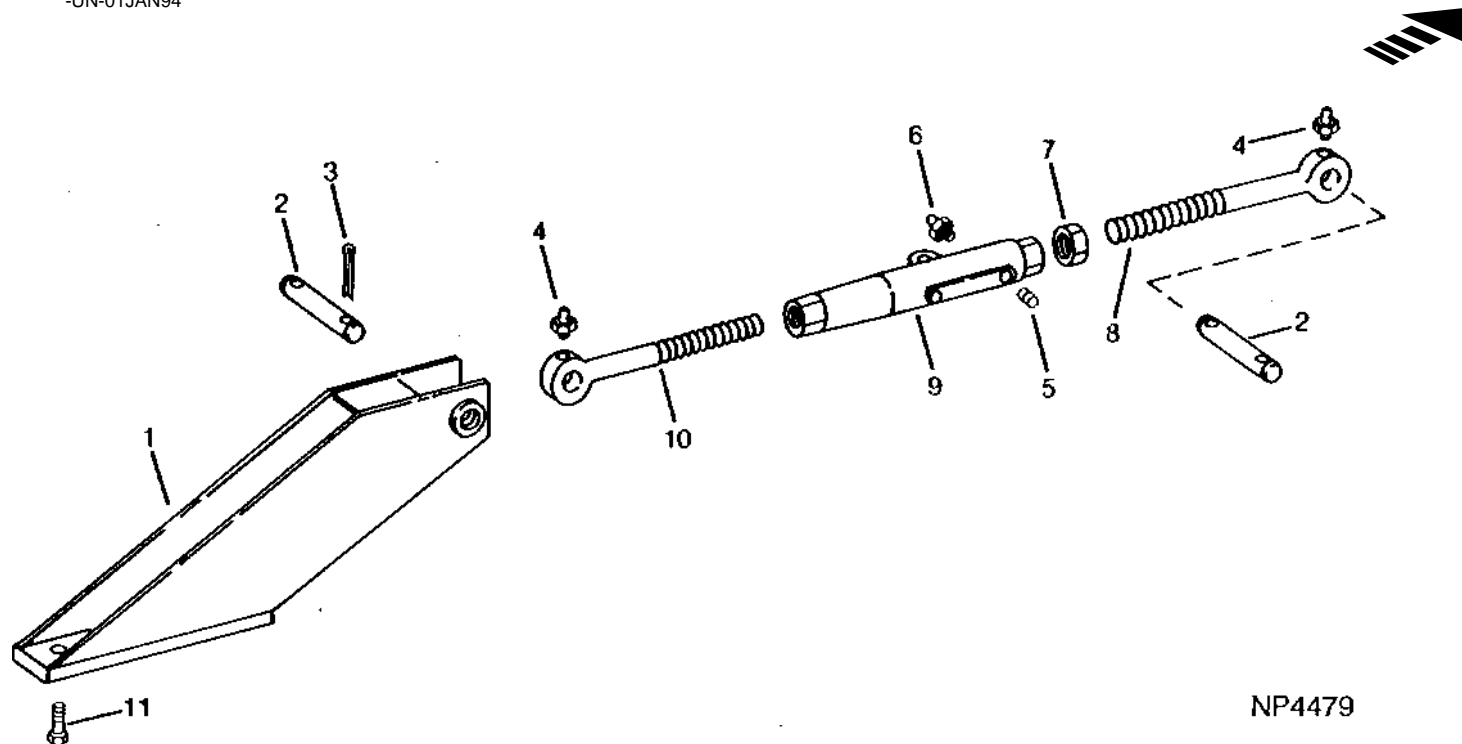
# 2J6

PICKING UNIT LIFT

## TOP LINK STABILIZER (IN-LINE UNITS)

NP4479

-UN-01JAN94



NP4479

| KEY | PART NO. | PART NAME           | QTY | SERIAL NO. | REMARKS                                     |
|-----|----------|---------------------|-----|------------|---|
| 1   | AN275216 | ANCHOR              | 1   |            | (SUB FOR AN193381)                          |
| 2   | .....    | PIN FASTENER        | 2   |            | (SUB AN193862)                              |
| 3   | 11M7040  | COTTER PIN          | 4   |            | 6.300 X 50 MM                               |
| 4   | JD7844   | LUBRICATION FITTING | 2   |            |   |
| 5   | 30H6     | PLUG                | 3   |            | 9/16", (USE WITH R64514)                    |
| 6   | JD7805   | LUBRICATION FITTING | 1   |            | (USE WITH R64514)                           |
|     | JD7798   | LUBRICATION FITTING | 1   |            | (USE WITH RE50532)                          |
| 7   | 14H873   | NUT                 | 1   |            | 1-1/4", JAM                                 |
| 8   | N279362  | EYEBOLT             | 1   |            | (SUB FOR N196260) R.H. THREAD               |
| 9   | R64514   | LINK BODY           | 1   |            | (SUB RE50532, JD7798 AND 34M7030) LIFT LINK |
|     | RE50532  | DRAG LINK           | 1   |            | (SUB FOR R107283) (INCLUDES KEY 6)          |
| 10  | N279363  | EYEBOLT             | 1   |            | (SUB FOR N196261) L.H. THREAD               |
| 11  | 19H1835  | CAP SCREW           | 6   |            | 3/4" X 1-1/2"                               |

# 3B6

PICKING UNIT CABINET

PICKING UNIT UPPER HOUSING - CONTINUED  
(IN-LINE UNITS)  
(SERIAL NO. 101 - 4000)

| KEY | PART NO. | PART NAME          | QTY | SERIAL NO. | REMARKS                                  |
|-----|----------|--------------------|-----|------------|--|
| 1   | AN272520 | DUAL LOCK FASTENER | 7   |            | (SUB FOR AN193679)                       |
|     | N272970  | SEAL               | 7   |            |  |
| 2   | N196218  | PANEL              | 1   |            | (SUB N272076) L.H.                       |
| 3   | N197073  | COVER              | 3   |            | (SUB AN272066)                           |
| 4   | N197071  | COVER              | 2   |            | (SUB AN272064)                           |
| 5   | AN193015 | PLATE              | 1   |            | (SUB AN272025, N272076 AND (2) N199910)  |
| 6   | N191674  | DECAL              | 1   |            | UNIT NO. 1                               |
|     | N191675  | DECAL              | 1   |            | UNIT NO. 2                               |
|     | N191676  | DECAL              | 1   |            | UNIT NO. 3                               |
|     | N191677  | DECAL              | 1   |            | UNIT NO. 4                               |
|     | N197690  | DECAL              | 1   |            | UNIT NO. 5                               |
| 7   | AN194786 | HOOD               | 1   |            | (INCLUDES N198443)                       |
| 8   | N198443  | DECAL              | 1   |            | DANGER                                   |
| 9   | W40932   | PLUG               | AR  |            |  |
| 10  | N196116  | ANGLE              | 1   |            |  |
| 11  | N197072  | COVER              | 2   |            | (SUB AN272066)                           |
| 12  | N198207  | ANGLE              | 1   |            |  |
| 13  | N196222  | REINFORCEMENT      | 1   |            |  |
| 14  | N196235  | CHANNEL            | 1   |            |  |
| 15  | N197467  | BRACE              | 1   |            |  |
| 16  | N10215   | LOCK NUT           | AR  |            | 3/8"                                     |
| 17  | N14822   | SELF-LOCKING SCREW | AR  |            | 3/8" X 3/4"                              |
| 18  | N195882  | SHEET              | 1   |            | (SUB N199921, N273022 AND AN272280)      |
| 19  | N273023  | COVER              | 2   |            | (SUB FOR N196228)                        |
| 20  | N10212   | SELF-LOCKING SCREW | AR  |            | 5/16" X 3/4"                             |
| 21  | N10213   | LOCK NUT           | AR  |            | 5/16"                                    |
| 22  | N197069  | SUPPORT            | 1   |            |  |
| 23  | N197466  | BRACE              | 1   |            |  |
| 24  | N198206  | ANGLE              | 1   |            |  |
| 25  | N196217  | PANEL              | 1   |            | R.H.                                     |
| 26  | N197066  | COVER              | 1   |            |  |
| 27  | N197228  | ANGLE              | 1   |            | (SUB N272624 AND N278403)                |
| 28  | N196219  | PANEL              | 1   |            | (SUB N272624 AND N278403)                |
| 29  | N198205  | CHANNEL            | 1   |            |  |
| 30  | N198469  | BRACKET            | 1   |            |  |
| 31  | N199776  | ANGLE              | 1   | 2001-      | REINFORCEMENT, (SUB N272624 AND N278403) |
| 32  | N10214   | SELF-LOCKING SCREW | 8   |            | 3/8" X 1"                                |
| 33  | .....    | GASKET             | 2   |            | (SUB AN195301)                           |
| 34  | .....    | GASKET             | 3   |            | (SUB AN195301)                           |
| 35  | N199900  | GASKET             | 2   |            |  |

# 3B16

PICKING UNIT CABINET

PICKING UNIT BOTTOM FRAME - CONTINUED  
(IN-LINE UNITS)

| KEY | PART NO. | PART NAME          | QTY | SERIAL NO. | REMARKS     |
|-----|----------|--------------------|-----|------------|-------------|
| 1   | N10215   | LOCK NUT           | AR  |            | 3/8"        |
| 2   | N10214   | SELF-LOCKING SCREW | AR  |            | 3/8" X 1"   |
| 3   | N196226  | CHANNEL            | 1   |            |             |
| 4   | N197044  | FRAME              | 2   |            |             |
| 5   | AN193146 | FRAME              | 1   |            |             |
| 6   | N14822   | SELF-LOCKING SCREW | AR  |            | 3/8" X 3/4" |
| 7   | N198150  | ANGLE              | 1   |            |             |
| 8   | N193795  | PLATE              | 2   |            |             |
| 9   | 03H1500  | BOLT               | AR  |            | 3/8" X 1"   |
| 10  | N199864  | FRAME              | 1   | 2001-      | WEAR PLATE  |

**STALK LIFTERS, EXTENSIONS AND GRATES - CONTINUED  
(IN-LINE UNITS)**

| KEY | PART NO. | PART NAME          | QTY | SERIAL NO. | REMARKS                              |
|-----|----------|--------------------|-----|------------|--------------------------------------|
| 1   | N85025   | SCREW              | AR  |            | 5/16" X 3/4"                         |
| 2   | 24M7207  | WASHER             | AR  |            | 8.400 X 24 X 2 MM                    |
| 3   | AN274300 | FRAME              | 1   |            | (SUB FOR AN193952 OR AN272588) R.H.  |
|     | AN272589 | FRAME              | 1   |            | (SUB FOR AN193141) L.H.              |
| 4   | H88188   | SCREW              | AR  |            | 3/8" X 1"                            |
| 5   | N196206  | SHIELD             | 1   |            | R.H.                                 |
|     | N196207  | SHIELD             | 1   |            | L.H.                                 |
| 6   | N197971  | GUIDE              | 1   |            |                                      |
| 7   | N10215   | LOCK NUT           | AR  |            | 3/8"                                 |
| 8   | 03H1519  | BOLT               | AR  |            | 3/8" X 1"                            |
| 9   | N198064  | ANGLE              | 1   |            |                                      |
| 10  | 03H1837  | BOLT               | AR  |            | 3/8" X 4", UNITS WITH HEIGHT SENSING |
| 11  | N10213   | LOCK NUT           | AR  |            | 5/16"                                |
| 12  | 03H1540  | BOLT               | 2   |            | 5/16" X 3/4"                         |
| 13  | N196205  | SHIELD             | 1   |            |                                      |
| 14  | N112200  | SELF-LOCKING SCREW | 2   |            | 5/16" X 1"                           |
| 15  | T81931   | WASHER             | 4   |            |                                      |
| 16  | 24H1292  | WASHER             | 3   |            | 11/32" X 3/4" X 0.120"               |
| 17  | N197064  | GATHERER POINT     | 1   |            |                                      |
| 18  | N10212   | SELF-LOCKING SCREW | 2   |            | 5/16" X 3/4"                         |
| 19  | N196204  | SHOE               | 1   |            |                                      |
| 20  | 24H1305  | WASHER             | 4   |            | 13/32" X 13/16" X 0.065"             |
| 21  | 19H2128  | CAP SCREW          | 1   |            | 3/8" X 3"                            |
| 22  | N199289  | SPACER             | 2   |            |                                      |
| 23  | AN193395 | ARM                | 1   |            |                                      |
| 24  | 19H1912  | CAP SCREW          | 1   |            | 3/8" X 3-1/2"                        |
| 25  | 24H1136  | WASHER             | 1   |            | 11/32" X 11/16" X 0.065"             |
| 26  | AN120137 | LINK CHAIN         | 1   |            |                                      |
| 27  | M48105   | BUSHING            | 1   |            |                                      |
| 28  | N273573  | GUIDE              | 1   | 4001-      | PLANT                                |
| 29  | N10214   | SELF-LOCKING SCREW | 2   | 4001-      | 3/8" X 1"                            |
| 30  | 24M7178  | WASHER             | 2   | 4001-      | 10.500 X 30 X 2.500 MM               |

**FRAME BOTTOMS AND STIFFENERS - CONTINUED  
(CONVENTIONAL UNITS)**

| KEY | PART NO. | PART NAME          | QTY | SERIAL NO. | REMARKS                   |
|-----|----------|--------------------|-----|------------|---------------------------|
| 1   | AN115039 | REINFORCEMENT      | 1   |            | L.H. OUTER                |
|     | AN115038 | REINFORCEMENT      | 1   |            | R.H. OUTER                |
| 2   | 24H1344  | WASHER             | 1   |            | 17/32" X 1-5/8" X 1/4"    |
| 3   | N198965  | GUARD              | 1   |            | HAND, L.H.                |
|     | N198964  | GUARD              | 1   |            | HAND R.H.                 |
| 4   | N119043  | BRACE              | 1   |            | L.H. STABILIZER           |
|     | N119042  | BRACE              | 1   |            | R.H. STABILIZER           |
| 5   | AN192529 | REINFORCEMENT      | 1   |            | L.H.                      |
|     | AN192528 | REINFORCEMENT      | 1   |            | R.H.                      |
| 6   | N10212   | SELF-LOCKING SCREW | AR  |            | 5/16" X 3/4"              |
| 7   | N10213   | LOCK NUT           | AR  |            | 5/16"                     |
| 8   | N115153  | DEFLECTOR          | 1   |            | MOISTENER COLUMN, L.H.    |
|     | N115152  | DEFLECTOR          | 1   |            | MOISTENER COLUMN, R.H.    |
| 9   | N112200  | SELF-LOCKING SCREW | AR  |            | 5/16" X 1"                |
| 10  | AN194124 | PLATE              | 1   |            |                           |
| 11  | N10215   | LOCK NUT           | AR  |            | 3/8"                      |
| 12  | N14822   | SELF-LOCKING SCREW | AR  |            | 3/8" X 3/4"               |
| 13  | 19H1815  | CAP SCREW          | 1   |            | 1/2" X 1-1/4"             |
| 14  | 24H1111  | WASHER             | 1   |            | 17/32" X 1-1/16" X 0.090" |
| 15  | 12H301   | LOCK WASHER        | 1   |            | 1/2"                      |
| 16  | 14H1040  | NUT                | 1   |            | 1/2"                      |
| 17  | N191664  | FRAME              | 1   |            | BOTTOM PLATE, R.H.        |
|     | N191665  | FRAME              | 1   |            | BOTTOM PLATE, L.H.        |
| 18  | 03H1765  | BOLT               | AR  |            | 3/8" X 3/4"               |
| 19  | AN194451 | PLATE              | 1   |            | FRONT DRUM, OUTER L.H.    |
|     | AN194454 | PLATE              | 1   |            | FRONT DRUM, OUTER R.H.    |
| 20  | H88188   | SCREW              | AR  |            | 3/8" X 1"                 |
| 21  | AN194453 | PLATE              | 1   |            | FRONT DRUM, INNER L.H.    |
|     | AN194452 | PLATE              | 1   |            | FRONT DRUM, INNER R.H.    |
| 22  | AN50788  | LINK CHAIN         | 1   |            | 30 LINKS                  |
| 23  | AN194125 | PLATE              | 1   |            |                           |
| 24  | N119497  | STRAP              | 1   |            | BAFFLE                    |
| 25  | AN114734 | PIVOT              | 1   |            | R.H.                      |
|     | AN114735 | PIVOT              | 1   |            | L.H.                      |
| 26  | N191294  | FRAME              | 1   |            | BOTTOM PLATE, R.H. REAR   |
|     | N191295  | FRAME              | 1   |            | BOTTOM PLATE, L.H. REAR   |
| 27  | N193795  | PLATE              | 1   |            | DOFFER HOUSING            |

FRONT DRUM PICKING UNIT SIDE SHEETS AND PANELS - CONTINUED  
(CONVENTIONAL UNITS)

| KEY | PART NO. | PART NAME          | QTY | SERIAL NO. | REMARKS                |
|-----|----------|--------------------|-----|------------|------------------------|
| 1   | N199441  | EXTENSION          | 1   |            |                        |
| 2   | N14822   | SELF-LOCKING SCREW | AR  |            | 3/8" X 3/4"            |
| 3   | N10215   | LOCK NUT           | AR  |            | 3/8"                   |
| 4   | AN191044 | POST               | 1   |            | UNIT NO. 3             |
|     | AN191045 | POST               | 1   |            | UNIT NO. 2             |
| 4A  | N119326  | POST               | 1   |            | UNIT NO. 4             |
|     | N119327  | POST               | 1   |            | UNIT NO. 1             |
| 5   | N195324  | PANEL              | 1   |            | UNIT NO. 1 & NO. 3     |
|     | N195325  | PANEL              | 1   |            | UNIT NO. 2 & NO. 4     |
| 6   | N195320  | STRAP              | 1   |            |                        |
| 7   | N119639  | BRACKET            | 1   |            | REAR PANEL             |
| 8   | AN192493 | PANEL              | 1   | 112-2000   | UNIT NO. 3             |
|     | AN195013 | PANEL              | 1   | 2001-      | UNIT NO. 3             |
|     | AN192492 | PANEL              | 1   | 112-2000   | UNIT NO. 2             |
|     | AN195012 | PANEL              | 1   | 2001-      | UNIT NO. 2             |
| 9   | 14H1058  | NUT                | 2   |            | 3/4"                   |
| 10  | N192407  | STUD               | 1   |            |                        |
| 11  | 34H329   | SPRING PIN         | 1   |            | 5/16" X 1-1/4"         |
| 12  | AN112644 | COVER              | 1   |            |                        |
| 13  | AN191354 | NUT                | 1   |            |                        |
| 14  | 24H1247  | WASHER             | 4   |            | 29/32" X 1-1/2" X 1/4" |
| 15  | AN192145 | POST               | 1   |            | "JET AIR" UNIT NO. 1   |
|     | AN192322 | POST               | 1   |            | "JET AIR" UNIT NO. 2   |
|     | AN192323 | POST               | 1   |            | "JET AIR" UNIT NO. 3   |
|     | AN192144 | POST               | 1   |            | "JET AIR" UNIT NO. 4   |
| 16  | AN192494 | PANEL              | 1   | 112-2000   | UNIT NO. 4             |
|     | AN195014 | PANEL              | 1   | 2001-      | UNIT NO. 4             |
|     | AN192491 | PANEL              | 1   | 112-2000   | UNIT NO. 1             |
|     | AN195011 | HOUSING            | 1   | 2001-      | UNIT NO. 1             |
| 17  | AN114714 | PANEL              | 1   |            | UNIT NO. 1 & NO. 3     |
|     | AN114715 | PANEL              | 1   |            | UNIT NO. 2 & NO. 4     |
| 18  | H27703   | GROMMET            | 1   |            |                        |
| 19  | N118492  | PANEL              | 1   |            | UNIT NO. 1 & NO. 3     |
|     | N118493  | PANEL              | 1   |            | UNIT NO. 2 & NO. 4     |
| 20  | AN114682 | COVER              | 1   | 112-4000   | INSPECTION             |
| 21  | N10212   | SELF-LOCKING SCREW | AR  |            | 5/16" X 3/4"           |
| 22  | N10213   | LOCK NUT           | AR  |            | 5/16"                  |
| 23  | N194632  | ANGLE              | 1   | 2001-      |                        |
| 24  | N198728  | BRACKET            | 1   | 2001-      |                        |
|     | N198729  | BRACKET            | 1   | 2001-      |                        |
| 25  | AN272520 | DUAL LOCK FASTENER | 1   | 4001-      | (SUB FOR AN193679)     |
|     | N272970  | SEAL               | 1   |            |                        |
| 26  | N272121  | COVER              | 1   | 4001-      | INSPECTION             |

# 3D7

PICKING UNIT CABINET

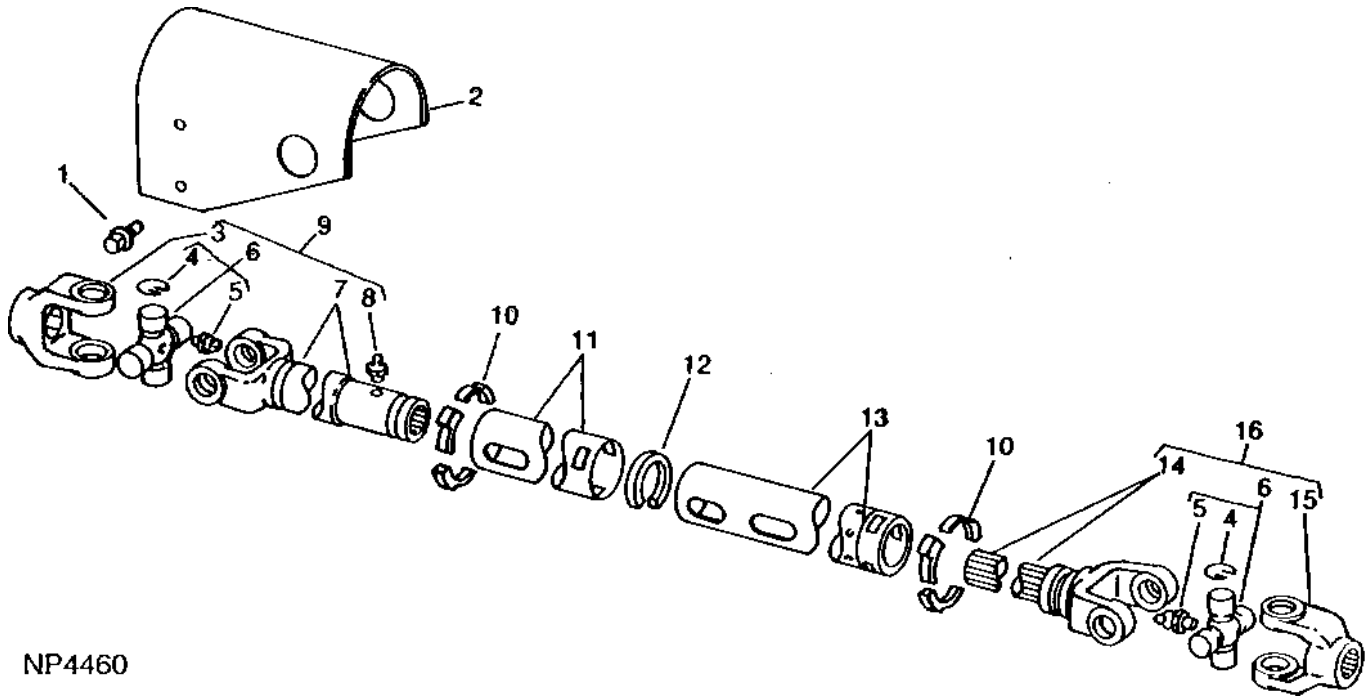
## PICKING UNIT OUTER HEIGHT SENSING LINKAGE - CONTINUED (CONVENTIONAL UNITS)

| KEY | PART NO. | PART NAME          | QTY | SERIAL NO. | REMARKS                  |
|-----|----------|--------------------|-----|------------|--------------------------|
| 1   | N193220  | PIN FASTENER       | 1   |            |                          |
| 2   | 11M7059  | COTTER PIN         | 2   |            | 3.200 X 20 MM            |
| 3   | AN191881 | ROCKER ARM         | 1   |            |                          |
| 4   | N85025   | SCREW              | AR  |            | 5/16" X 3/4"             |
| 5   | N10212   | SELF-LOCKING SCREW | AR  |            | 5/16" X 3/4"             |
| 6   | N10213   | LOCK NUT           | AR  |            | 5/16"                    |
| 7   | N190225  | SUPPORT            | 1   |            | CROSS SHAFT, OUTER       |
| 8   | 19H1791  | CAP SCREW          | 1   |            | 1/4" X 1-1/4"            |
| 9   | AN191787 | SUPPORT            | 1   |            | CROSS SHAFT, INNER       |
| 10  | N195148  | COUPLING           | 1   |            | CROSS SHAFT              |
| 11  | M40333   | LOCK NUT           | 1   |            | 1/4"                     |
| 12  | N191622  | SHOE               | 1   |            |                          |
| 13  | N10215   | LOCK NUT           | AR  |            | 3/8"                     |
| 14  | 03H1500  | BOLT               | 2   |            | 3/8" X 1"                |
| 15  | N118216  | SUPPORT            | 1   |            | R.H. SHOE                |
|     | N118217  | SUPPORT            | 1   |            | L.H. SHOE                |
| 16  | L3484N   | BUSHING            | 1   |            |                          |
| 17  | 19H2104  | CAP SCREW          | 1   |            | 3/8" X 5"                |
| 18  | 24H1305  | WASHER             | 1   |            | 13/32" X 13/16" X 0.065" |
| 19  | N193207  | ANGLE              | 1   |            |                          |

# 3D18

## UNIT DRIVE UNIVERSAL JOINT (IN-LINE UNITS)

NP4460 -UN-01JAN94



NP4460

| KEY | PART NO. | PART NAME                  | QTY | SERIAL NO. | REMARKS             |
|-----|----------|----------------------------|-----|------------|---------------------|
| 1   | T19179   | CAP SCREW                  | 4   |            | 3/8" X 0.620"       |
| 2   | N197476  | SHIELD                     | 1   |            |                     |
| 3   | N197464  | UNIVERSAL JOINT YOKE       | 1   |            |                     |
| 4   | BP12946  | SNAP RING                  | 8   |            |                     |
| 5   | JD7760   | LUBRICATION FITTING        | 2   |            |                     |
| 6   | AE23516  | CROSS AND BEARING ASSEMBLY | 2   |            |                     |
| 7   | AN193130 | YOKE WITH TUBE             | 1   |            |                     |
| 8   | JD7842   | LUBRICATION FITTING        | 1   |            | 1/4" STRAIGHT FRONT |
| 9   | AN193572 | UNIVERSAL JOINT            | 1   |            | FRONT               |
| 10  | W16923   | PTO SHIELD RETAINER        | 6   |            |                     |
| 11  | N196129  | POWERSHAFT SHIELD          | 1   |            | FRONT               |
| 12  | H24673   | SNAP RING                  | 1   |            |                     |
| 13  | AN190963 | POWERSHAFT SHIELD          | 1   |            | OUTER               |
| 14  | AN193281 | UNIVERSAL JOINT            | 1   |            |                     |
| 15  | N191557  | UNIVERSAL JOINT YOKE       | 1   |            |                     |
| 16  | AN193280 | UNIVERSAL JOINT            | 1   |            | REAR                |

# 3E2

PICKING UNIT SYSTEM

## LOWER GEAR CASE HUB - CONTINUED (IN-LINE UNITS)

| KEY | PART NO. | PART NAME          | QTY | SERIAL NO. | REMARKS                      |
|-----|----------|--------------------|-----|------------|------------------------------|
| 1   | 19H1978  | CAP SCREW          | 4   |            | 7/16" X 1-1/2"               |
| 2   | 12H325   | LOCK WASHER        | 4   |            | 7/16"                        |
| 3   | N112852  | SHIM               | AR  |            | .010"                        |
|     | N112853  | SHIM               | AR  |            | .005"                        |
|     | N112854  | SHIM               | AR  |            | .002"                        |
| 4   | E55758   | O-RING             | 1   |            |                              |
| 5   | M83539   | LOCK NUT           | 1   |            | (SUB FOR H26893)             |
| 6   | N196929  | BEVEL GEAR         | 1   |            | 29 TOOTH                     |
| 7   | JD8194   | BEARING CONE       | 1   |            |                              |
| 8   | JD8230   | BEARING CUP        | 1   |            |                              |
| 9   | N85254   | SHIM               | AR  |            |                              |
|     | N85255   | SHIM               | AR  |            |                              |
| 10  | N193124  | HOUSING            | 1   |            |                              |
| 11  | JD8237   | BEARING CUP        | 1   |            |                              |
| 12  | JD8902   | BEARING CONE       | 1   |            |                              |
| 13  | 12H304   | LOCK WASHER        | 4   |            | 3/8"                         |
| 14  | 19H2552  | CAP SCREW          | 4   |            | 3/8" X 1-1/8", (INNER HOLES) |
| 15  | N199143  | SHAFT              | 1   |            |                              |
| 16  | 400R     | BALL               | 24  |            | .250                         |
| 17  | T13969   | THRUST WASHER      | 1   |            |                              |
| 18  | AB4462R  | SEAL               | 1   |            |                              |
| 19  | L1713C   | BUSHING            | 1   |            |                              |
| 20  | T75467   | O-RING             | 1   |            |                              |
| 21  | N196077  | SPUR GEAR          | 1   |            | 21 TOOTH                     |
| 22  | AN193401 | SPUR GEAR          | 1   |            |                              |
| 23  | N199180  | SLIP CLUTCH        | 2   |            | R.H. SLIP CLUTCH             |
| 24  | M41029   | SNAP RING          | 2   |            |                              |
| 25  | N193627  | WASHER             | 2   |            |                              |
| 26  | N193135  | HUB                | 1   |            | SLIP CLUTCH                  |
| 27  | R42042   | WASHER             | 1   |            |                              |
| 28  | A5743R   | WASHER             | AR  |            |                              |
| 29  | N196960  | COMPRESSION SPRING | 1   |            |                              |
| 30  | N199144  | WASHER             | 1   |            |                              |
| 31  | N33203   | LOCK NUT           | 1   |            | 3/4"                         |
| 32  | A25081   | SHIM               | AR  | 4001-      | 0.020"                       |

# 3E12

PICKING UNIT SYSTEM

## DRUM SLIP CLUTCH AND IDLER GEARS - CONTINUED

| KEY | PART NO. | PART NAME           | QTY | SERIAL NO. | REMARKS  |
|-----|----------|---------------------|-----|------------|--|
| 1   | 19H1726  | CAP SCREW           | 1   |            | 3/8" X 2-1/4"                                      |
| 2   | 12H304   | LOCK WASHER         | 3   |            | 3/8"   |
| 3   | P42285   | CAP                 | 1   |            |  |
| 4   | 19H1732  | CAP SCREW           | 2   |            | 3/8" X 1-1/4"                                      |
| 5   | N193324  | HOUSING             | 1   |            |  |
| 6   | JD7759   | LUBRICATION FITTING | 1   |            |  |
| 7   | N101345  | LOCK NUT            | 1   |            | 3/4", (SUB FOR H34753)                             |
| 8   | JD7142   | BALL BEARING        | 1   |            |  |
| 9   | N110133  | WASHER              | 1   |            | CLUTCH SPRING                                      |
| 10  | N131738  | SPRING              | 1   |            | (5-COIL, .244" COIL WIRE)                          |
| 11  | L1713C   | BUSHING             | 1   |            |  |
| 12  | AN193393 | SPUR GEAR           | 1   | 101-4000   | IDLER, 23-TOOTH                                    |
|     | AN193118 | SPUR GEAR           | 1   | 4001-      | IDLER 24-TOOTH                                     |
| 13  | N190954  | SLIP CLUTCH         | 2   |            | R.H.   |
|     | N190955  | SLIP CLUTCH         | 2   |            | L.H. CONVENTIONAL ONLY                             |
| 14  | N196092  | SHAFT               | 1   | 101-4068   | (SUB AN272214)                                     |
| 15  | N196078  | SPUR GEAR           | 1   | 101-4068   | (SUB AN272214) IDLER, 53-TOOTH                     |
| 16  | JD9324   | BALL BEARING        | 1   |            | LOWER  |
| 17  | AN193489 | HOUSING             | 1   |            | BEARING (CONVENTIONAL ONLY)                        |
|     | AN193153 | HOUSING             | 1   |            | BEARING (IN-LINE ONLY) (ILLUSTRATED) (SUB N199063) |
| 18  | 14H785   | NUT                 | AR  |            | 5/16"  |
| 19  | 12M7065  | LOCK WASHER         | AR  |            | 8 MM   |
| 20  | 21H1226  | SCREW               | AR  |            | 5/16" X 7/8"                                       |
| 21  | 19H1905  | CAP SCREW           | AR  |            | 5/16" X 1"   |
| 22  | N34164   | SHIM                | AR  |            |  |
| 23  | AN272214 | SPUR GEAR           | 1   | 4069-      | (SUB AN272285 AND N101345) IDLER, 53-TOOTH         |

# 3E21

PICKING UNIT SYSTEM

## PICKER BAR DRUM, STUD AND BEARING - CONTINUED

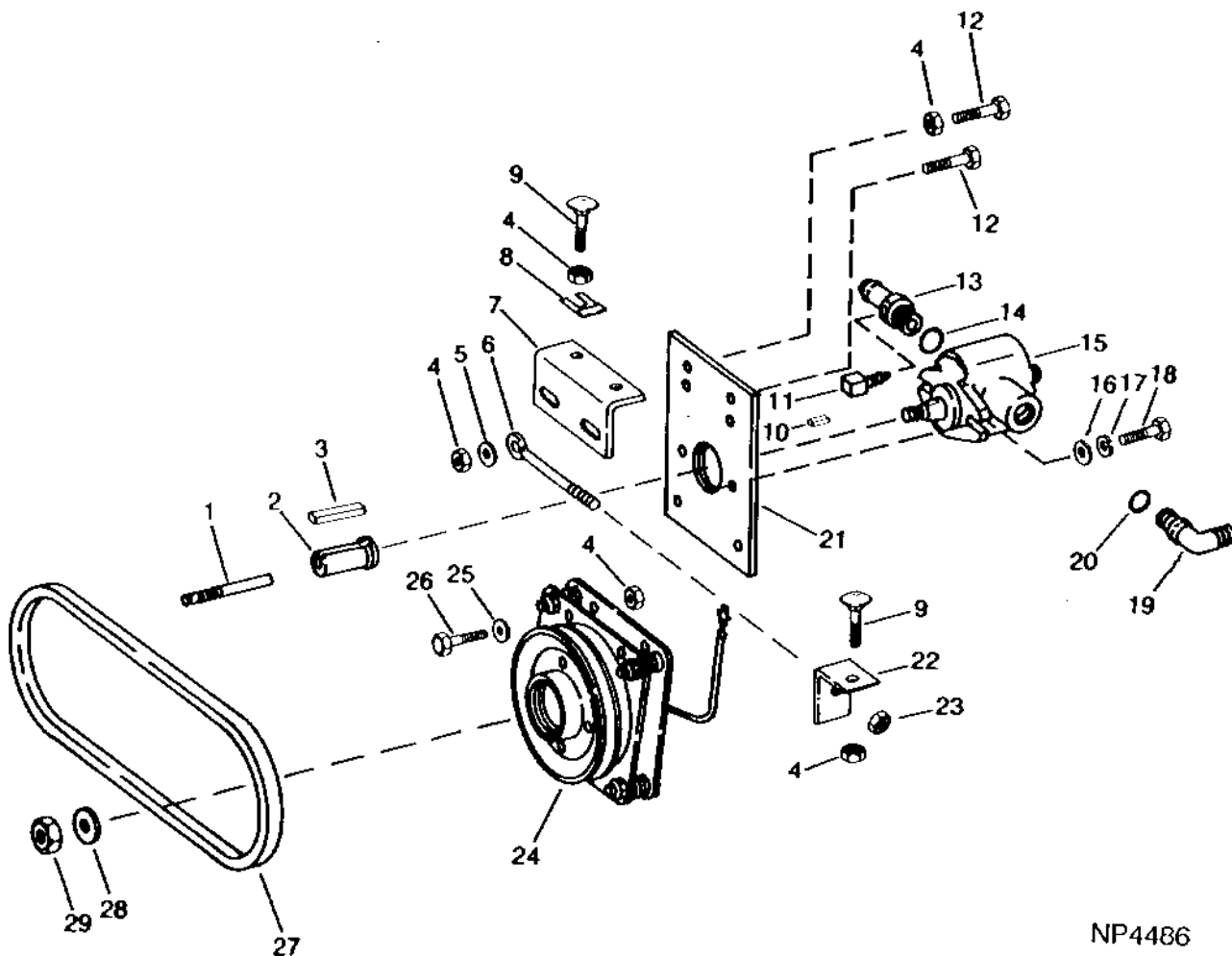
| KEY | PART NO. | PART NAME           | QTY | SERIAL NO.    | REMARKS                        |
|-----|----------|---------------------|-----|---------------|--------------------------------|
| 1   | N190952  | SHIM                | AR  | .005"         |                                |
|     | N190953  | SHIM                | AR  | .010"         |                                |
|     | N193694  | SHIM                | AR  | .003"         |                                |
| 2   | N112291  | PIVOT               | 12  |               |                                |
| 3   | 12M7065  | LOCK WASHER         | 24  | 8 MM          |                                |
| 4   | 19H1813  | CAP SCREW           | 24  | 5/16" X 5/8"  |                                |
| 5   | AN193370 | DRUM                | 1   |               | CONVENTIONAL UNITS ONLY        |
|     | AN193102 | DRUM                | 1   |               | IN-LINE UNITS ONLY             |
| 6   | 12H301   | LOCK WASHER         | 3   | 1/2"          |                                |
| 7   | 19H2509  | CAP SCREW           | 3   | 1/2" X 1-1/2" |                                |
| 8   | N115724  | ELBOW FITTING       | 24  |               |                                |
| 9   | N117044  | CLAMP               | 24  |               |                                |
| 10  | .....    | HOSE                | 12  |               | (MAKE FROM 11-1/2" OF N274964) |
| 11  | JD7759   | LUBRICATION FITTING | 1   |               |                                |
| 12  | L1188N   | SNAP RING           | 1   |               |                                |
| 13  | N112737  | WASHER              | 1   |               |                                |
| 14  | AN111537 | BALL BEARING        | 1   |               |                                |
| 15  | AN190474 | SEAL                | 1   |               |                                |
| 16  | N193645  | SPINDLE             | 1   |               |                                |
| 17  | T19179   | CAP SCREW           | 3   | 3/8" X 0.620" |                                |
| 18  | 15H566   | PIPE PLUG           | 1   | 1/8"          |                                |

# 3F6

PICKING UNIT LUBRICATION SYSTEM

## LUBRICATION PUMP AND CLUTCH

NP4486 -UN-01JAN94



NP4486

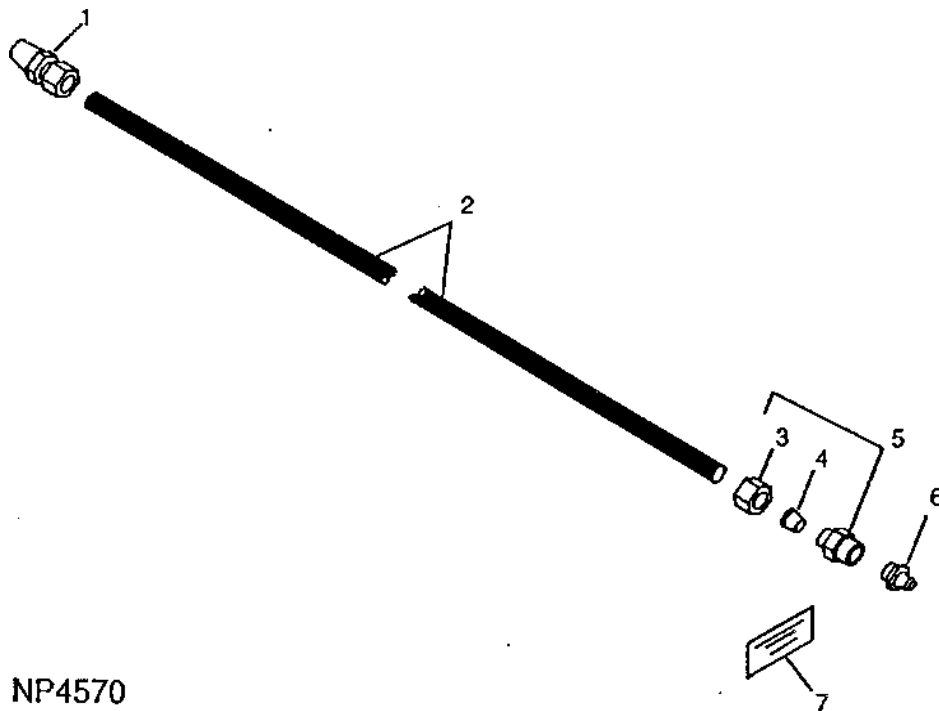
| KEY | PART NO. | PART NAME     | QTY | SERIAL NO. | REMARKS                   |
|-----|----------|---------------|-----|------------|---------------------------|
| 1   | N193961  | STUD          | 1   |            | PUMP DRIVE                |
| 2   | N193960  | ADAPTER       | 1   |            | PUMP TO CLUTCH            |
| 3   | N13224   | SHAFT KEY     | 1   |            |                           |
| 4   | N10215   | LOCK NUT      | AR  |            | 3/8"                      |
| 5   | 24H1309  | WASHER        | 1   |            | 13/32" X 1-1/16" X 0.120" |
| 6   | E40689   | EYEBOLT       | 1   |            |                           |
| 7   | N193962  | ANGLE         | 1   |            | MOTOR SUPPORT             |
| 8   | N191872  | STRAP         | AR  |            |                           |
| 9   | 03H1519  | BOLT          | 3   |            | 3/8" X 1"                 |
| 10  | H30756   | SHAFT KEY     | 1   |            | (INCLUDED WITH AH108841)  |
| 11  | JD7845   | ELBOW FITTING | 1   |            |                           |
| 12  | 19H1765  | CAP SCREW     | 2   |            | 3/8" X 1-3/4"             |
| 13  | N194802  | FITTING       | 1   |            |                           |
| 14  | R29936   | O-RING        | 1   |            |                           |
| 15  | AH108841 | PUMP          | 1   |            |                           |
| 16  | 24M7106  | WASHER        | 2   |            | 10 X 18 X 2.500 MM        |
| 17  | 12H304   | LOCK WASHER   | 2   |            | 3/8"                      |
| 18  | 19H2552  | CAP SCREW     | 2   |            | 3/8" X 1-1/8"             |
| 19  | AH20193  | ELBOW FITTING | 1   |            | 90 DEGREE                 |
| 20  | R26906   | O-RING        | 1   |            |                           |
| 21  | N193963  | PLATE         | 1   |            |                           |
| 22  | Q32076   | ANGLE         | 1   |            |                           |
| 23  | T11234   | LOCK NUT      | 1   |            | 3/8"                      |
| 24  | AM38623  | CLUTCH        | 1   |            | ELECTROMAGNETIC           |
| 25  | 24H1122  | WASHER        | 4   |            | 3/8" X 7/8" X 0.083"      |
| 26  | 19H1731  | CAP SCREW     | 4   |            | 3/8" X 1"                 |
| 27  | M82720   | V-BELT        | 1   |            |                           |
| 28  | 24H1344  | WASHER        | 1   |            | 17/32" X 1-5/8" X 1/4"    |
| 29  | K40014   | LOCK NUT      | 1   |            | 1/2"                      |

# 3F16

PICKING UNIT LUBRICATION SYSTEM

RESERVE LUBRICATION PANEL  
(IN-LINE UNITS)  
(SERIAL NO. 2001 - )

NP4570 -UN-01JAN94



NP4570

| KEY | PART NO. | PART NAME           | QTY | SERIAL NO. | REMARKS                                     |
|-----|----------|---------------------|-----|------------|---|
| 1   | AT22089  | FITTING             | 1   |            |   |
| 2   | .....    | HOSE                | 1   |            | 1/4 O.D. TUBE<br>(MAKE FROM 27" OF N192913) |
| 3   | N192917  | NUT                 | 1   |            |   |
| 4   | N192916  | SLEEVE FITTING      | 1   |            |   |
| 5   | AN191707 | UNION FITTING       | 1   |            |   |
| 6   | JD7759   | LUBRICATION FITTING | 1   |            |   |
| 7   | N194957  | LABEL               | 1   |            |   |

## WATER TANK AND WRAPPER - CONTINUED

| KEY | PART NO. | PART NAME          | QTY | SERIAL NO.                                  | REMARKS |
|-----|----------|--------------------|-----|---|---------|
| 1   | 19H1800  | CAP SCREW          | AR  | 3/8" X 1-1/2"                               |         |
| 2   | T11234   | LOCK NUT           | AR  | 3/8"  |         |
| 3   | 19H1732  | CAP SCREW          | AR  | 3/8" X 1-1/4"                               |         |
| 4   | AN192151 | SADDLE             | 1   | CENTER                                      |         |
| 5   | AN193922 | SADDLE             | 1   | (INCLUDES DECALS)                           |         |
|     | N195969  | SAFETY SIGN        | 1   |   |         |
|     | N198322  | LABEL              | 1   |   |         |
| 6   | N153101  | WASHER             | 2   |   |         |
| 7   | N155988  | WASHER             | 4   |   |         |
| 8   | AN202350 | FITTING            | 2   | (SUB FOR AN152898)                          |         |
| 9   | .....    | PLUG               | 2   |   |         |
| 10  | AN192150 | CAP (HAT)          | 1   |   |         |
| 11  | AN193847 | TANK               | 1   | (INCLUDES KEYS 8,9 AND 27)                  |         |
| 12  | N117170  | HOSE FITTING       | 2   |   |         |
| 13  | N190220  | HOSE CLAMP         | 2   |   |         |
| 14  | .....    | HOSE               | 1   | (MAKE FROM 26-1/4" OF N194902)              |         |
| 15  | N10214   | SELF-LOCKING SCREW | AR  | 3/8" X 1"                                   |         |
| 16  | 24M7101  | WASHER             | AR  | 11 X 34 X 3 MM                              |         |
| 17  | N10215   | LOCK NUT           | AR  | 3/8"  |         |
| 18  | N193999  | SADDLE             | 1   |   |         |
| 19  | M86958   | HOSE FITTING       | 1   | (SUB FOR N117501) (REAR)                    |         |
| 20  | N198465  | ELBOW FITTING      | 1   | (FRONT)                                     |         |
| 21  | AN113545 | FITTING            | 2   |   |         |
| ..  | AN114022 | CLEANING SOLVENT   | 1   | SPINDLE CLEANER, 5 GAL                      |         |
| ..  | AN114023 | CLEANING SOLVENT   | 1   | SPINDLE CLEANER, 55 GAL                     |         |
| ..  | AN30975  | WETTING AGENT      | 1   | SPINDLE WETTING AGENT, 1 GAL                |         |
| ..  | AL1112N  | WETTING AGENT      | 1   | SPINDLE WETTING AGENT, 5 GAL, (SUB AN30975) |         |

# 3G13

WATER SYSTEM

## FOOT FLUSH VALVE, SUPPORT AND WATER LINES - CONTINUED (IN-LINE UNITS)

| KEY | PART NO. | PART NAME          | QTY | SERIAL NO. | REMARKS                                |
|-----|----------|--------------------|-----|------------|--|
| 1   | N195089  | SUPPORT            | 1   |            | FOOT LEVER                             |
| 2   | N125732  | WASHER             | 1   |            |  |
| 3   | N10214   | SELF-LOCKING SCREW | 1   |            | 3/8" X 1"                              |
| 4   | R2577R   | SPRING             | 1   |            |  |
| 5   | N195073  | LEVER              | 1   |            |  |
| 6   | N195139  | MAT                | 1   |            |  |
| 7   | AR21837  | CLAMP              | 3   |            |  |
| 8   | N195114  | ELBOW FITTING      | 1   |            |  |
| 9   | AN192728 | VALVE              | 1   |            | FLUSH                                  |
| 10  | N10216   | SELF-LOCKING SCREW | 4   |            | 1/4" X 3/4"                            |
| 11  | M40333   | LOCK NUT           | 5   |            | 1/4"                                   |
| 12  | N195074  | SUPPORT            | 1   |            | WATER VALVE                            |
| 13  | N85588   | HOSE FITTING       | 2   |            |  |
| 14  | 21H983   | SCREW              | 2   |            | 0.190" X 5/8"                          |
| 15  | 24H1283  | WASHER             | 2   |            | 7/32" X 1/2" X 0.049"                  |
| 16  | N125411  | LOCK NUT           | 2   |            | 0.190"                                 |
| 17  | 19H1948  | CAP SCREW          | 1   |            | 1/4" X 3/4"                            |
| 18  | N14822   | SELF-LOCKING SCREW | 3   |            | 3/8" X 3/4"                            |
| 19  | N10215   | LOCK NUT           | 4   |            | 3/8"                                   |
| 20  | .....    | HOSE               | 1   |            | (MAKE FROM 100" OF N155885)            |
| 21  | T26955   | CLAMP              | 2   |            |  |
| 22  | N194814  | HOSE CLAMP         | AR  |            |  |
| 23  | N117170  | HOSE FITTING       | AR  |            | TO UNIT                                |
| 24  | N198272  | MANIFOLD           | 1   |            | (SUB N371755 AND 15H584)               |
|     | N371755  | MANIFOLD           | 1   |            | USE WITH 15H584 PLUG                   |
| 25  | T26564   | PIPE PLUG          | AR  |            |  |
| 26  | .....    | STRUCTURAL TUBING  | AR  |            | 1/4 X 120" (MAKE FROM 120" OF N194902) |
| 27  | 24H1307  | WASHER             | 3   |            | 13/32" X 1" X 1/16"                    |
| 28  | AN193650 | UNION FITTING      | 3   |            |  |
| 29  | .....    | TUBE               | 2   |            | (MAKE FROM 34" OF N194902)             |
| 30  | .....    | TUBE               | 1   |            | (MAKE FROM 12" OF N194902)             |
| 31  | N154080  | TEE FITTING        | 1   |            |  |
| 32  | H77698   | TIE BAND           | AR  |            |  |

# 3G23

WATER SYSTEM

## SPINDLE MOISTENER - CONTINUED

| KEY | PART NO. | PART NAME          | QTY | SERIAL NO. | REMARKS   |
|-----|----------|--------------------|-----|------------|---|
| 1   | 19H2218  | CAP SCREW          | 1   |            | 1/2" X 5", CONVENTIONAL UNITS   |
| 2   | N14822   | SELF-LOCKING SCREW | AR  |            | 3/8" X 3/4"   |
| 3   | N10215   | LOCK NUT           | AR  |            | 3/8"  |
| 4   | 14H1040  | NUT                | 1   |            | 1/2"  |
| 5   | AN114900 | BRACKET            | 1   |            | CONVENTIONAL UNITS, ADJUSTING   |
| 6   | N194822  | PIN                | 1   |            | CONVENTIONAL UNITS, (SUB AN272839 AND N273779)  |
| 7   | R459R    | O-RING             | 1   |            | CONVENTIONAL UNITS  |
| 8   | N194823  | STRAP              | 1   |            | CONVENTIONAL UNITS  |
| 9   | 19H2060  | CAP SCREW          | 2   |            | 1/2" X 3", FULL THREAD, IN-LINE UNITS   |
| 10  | AN114900 | BRACKET            | 1   |            | IN-LINE UNITS, REAR   |
| 11  | N197117  | BRACKET            | 1   |            | IN-LINE UNITS, REAR   |
| 12  | N197118  | SHAFT              | 1   |            | IN-LINE UNITS   |
| 13  | 34H282   | SPRING PIN         | 1   |            | 3/16" X 1", IN-LINE UNITS   |
| 14  | N196232  | ANGLE              | 1   |            | IN-LINE UNITS, FRONT  |
| 15  | N117170  | HOSE FITTING       | 1   |            |   |
| 16  | N117500  | HOUSING            | 1   |            | NOZZLE  |
| 17  | AB11379  | STRAINER           | 1   |            | 100 MESH  |
| 18  | B12283   | NOZZLE             | 1   |            | (USE WITH SPINDLE CLEANER)  |
|     | B14244   | NOZZLE             | 1   |            | (USE WITH MOISTENER AGENT)  |
| 19  | B12888   | FITTING            | 1   |            |   |
| 20  | N114254  | BAIL               | 1   |            |   |
| 21  | 24H1228  | WASHER             | 1   |            | 1-17/32" X 2-1/2" X 0.120"  |
| 22  | N272790  | COVER              | 1   |            | (SUB FOR N192214)   |
| 23  | N10212   | SELF-LOCKING SCREW | 2   |            | 5/16" X 3/4"  |
| 24  | N10213   | LOCK NUT           | 2   |            | 5/16"   |
| 25  | N197297  | RING               | 1   |            |   |
| 26  | H27703   | GROMMET            | 1   |            |   |
| 27  | N198776  | CHANNEL            | 1   |            | (IN-LINE UNIT) (SUB N273738)  |
|     | N198777  | CHANNEL            | 1   |            | (CONVENTIONAL UNIT) (SUB N273739)   |
| 28  | N85025   | SCREW              | 6   |            | 5/16" X 3/4"  |
| 29  | 03H2109  | BOLT               | 1   |            | 3/8" X 3-1/4"   |
| 30  | N116128  | BUSHING            | 1   |            |   |
| 31  | N195655  | BASE               | 1   |            |   |
| 32  | N10214   | SELF-LOCKING SCREW | 2   |            | 3/8" X 1"   |
| 33  | AN194704 | HOLDER             | 1   |            | (18 SPINDLE) W/PAD HOLDERS, LESS PADS   |
|     | AN194705 | HOLDER             | 1   |            | (20 SPINDLE) W/PAD HOLDERS, LESS PADS   |
| 34  | AN32795  | HOLDER             | AR  |            |   |
| 35  | N195354  | PAD                | AR  |            | VINYL   |
|     | N272585  | PAD                | AR  |            | URETHANE  |
| 36  | .....    | TUBE               | AR  |            | CUT TO LENGTH FROM N190923  |
|     | TY24379  | ADHESIVE           | 1   |            | (SUB FOR TY21517)   |
| 37  | .....    | TUBE               | 1   |            | 1/4 X 22-1/2 (MAKE FROM 22-1/2" OF N194902)   |
| 38  | N194814  | HOSE CLAMP         | AR  |            |   |
| 39  | N198765  | MANIFOLD           | 1   |            | (SUB N272791, AN272505 AND N273738 FOR 18 SPINDLE) (SUB N272791, AN272505 AND N273739 FOR 20 SPINDLE) |
|     | N272791  | MANIFOLD           | 2   |            |   |
|     | N158795  | PLUG               | 1   |            |   |
| 40  | AN194707 | MANIFOLD           | 1   |            | (IN-LINE) (SUB AN272505 AND AN272507)   |
|     | AN194708 | MANIFOLD           | 1   |            | (CONVENTIONAL UNIT) (SUB AN272505 AND AN272508)   |

# 3H9

AIR SYSTEM

UNIT TO BASKET DUCTS - CONTINUED  
(IN-LINE UNIT)

| KEY | PART NO. | PART NAME          | QTY | SERIAL NO. | REMARKS                            |
|-----|----------|--------------------|-----|------------|------------------------------------|
| 1   | 19H1800  | CAP SCREW          | 4   |            | 3/8" X 1-1/2"                      |
| 2   | N10215   | LOCK NUT           | AR  |            | 3/8"                               |
| 3   | N198093  | SUPPORT            | 1   |            | (SUB N199610, N199611 AND N199612) |
|     | N199612  | SUPPORT            | 1   |            |                                    |
| 4   | N198096  | HANDRAIL           | 1   |            | (SUB N199610, N199611 AND N199612) |
|     | N199610  | HANDRAIL           | 1   |            | R.H.                               |
| 5   | N198097  | HANDRAIL           | 1   |            | (SUB N199610, N199611 AND N199612) |
|     | N199611  | HANDRAIL           | 1   |            | L.H.                               |
| 6   | AN193771 | AIR DUCT           | 1   |            |                                    |
| 7   | 11H213   | COTTER PIN         | 2   |            | 3/16" X 1-3/4"                     |
| 8   | N197664  | STEP               | 5   |            |                                    |
| 9   | N14822   | SELF-LOCKING SCREW | AR  |            | 3/8" X 3/4"                        |
| 10  | AN193398 | AIR DUCT           | 1   |            |                                    |
| 11  | N10213   | LOCK NUT           | AR  |            | 5/16"                              |
| 12  | AT53438  | HOSE CLAMP         | AR  |            | 6"                                 |
| 13  | N197413  | NOZZLE             | 1   |            | LH                                 |
| 14  | 03H1653  | BOLT               | AR  |            | 3/8" X 2-1/4"                      |
| 15  | T11234   | LOCK NUT           | AR  |            | 3/8"                               |
| 16  | AT39141  | HOSE CLAMP         | AR  |            | 3"                                 |
| 17  | AN193457 | AIR DUCT           | 1   |            | TRANSITION                         |
| 18  | 24H1309  | WASHER             | AR  |            | 13/32" X 1-1/16" X 0.120"          |
| 19  | 19H2205  | CAP SCREW          | 2   |            | 3/8" X 6"                          |
| 20  | 28H2506  | SPACER             | AR  |            | 0.546" X 0.840" X 11/16"           |
| 21  | 03H1558  | BOLT               | AR  |            | 3/8" X 1-1/2"                      |
| 22  | N197103  | PIVOT              | 1   |            |                                    |
| 23  | AN193576 | AIR DUCT           | 1   |            |                                    |
| 24  | N197598  | STRAP              | 8   |            |                                    |
| 25  | AN193580 | AIR DUCT           | 1   |            |                                    |
| 26  | AN193581 | AIR DUCT           | 1   |            |                                    |
| 27  | AN193253 | AIR DUCT           | 1   |            | 72" LONG                           |
| 28  | AN193578 | AIR DUCT           | 1   |            | 30" SPACING, (SUB AN272389)        |
|     | AN193577 | AIR DUCT           | 1   |            | 38" & 40" SPACING                  |
|     | AN195096 | AIR DUCT           | 1   |            | 36" SPACING                        |
| 29  | N197451  | NOZZLE             | 2   |            |                                    |
| 30  | H88188   | SCREW              | 4   |            | 3/8" X 1"                          |
| 31  | J16931   | PIN                | AR  |            |                                    |
| 32  | AN193412 | BRACKET            | 2   |            |                                    |
| 33  | 19H1944  | CAP SCREW          | 8   |            | 3/8" X 2-3/4"                      |
| 34  | AN193456 | AIR DUCT           | 1   |            |                                    |
| 35  | AN193399 | AIR DUCT           | 1   |            | 89" LONG                           |
| 36  | AN193741 | AIR DUCT           | 1   |            |                                    |
| 37  | 03H1500  | BOLT               | AR  |            | 3/8" X 1"                          |
| 38  | N198051  | PLATE              | 1   |            |                                    |
| 39  | N197647  | BRACKET            | 2   |            |                                    |
| 40  | N125732  | WASHER             | 1   |            |                                    |
| 41  | N197412  | NOZZLE             | 1   |            | RH                                 |

# 3H18

AIR SYSTEM

## FAN IDLER AND LINKAGE (CONTINUED)

| KEY | PART NO. | PART NAME           | QTY | SERIAL NO. | REMARKS  |
|-----|----------|---------------------|-----|------------|--|
| 1   | R44275   | BUSHING             | 2   |            |  |
| 2   | AN114857 | IDLER               | 2   |            |  |
| 3   | 24H1364  | WASHER              | 1   |            | 21/32" X 15/16" X 0.036"                               |
| 4   | 03H1860  | BOLT                | 1   |            | 5/8" X 6"  |
| 5   | 12H294   | LOCK WASHER         | 1   |            | 5/8"   |
| 6   | 14H1039  | NUT                 | 1   |            | 5/8"   |
| 7   | K40015   | LOCK NUT            | 1   |            | 5/8"   |
| 8   | N196806  | SHIM                | 2   |            |  |
| 9   | H99147   | BUSHING             | 2   |            |  |
| 10  | JD7844   | LUBRICATION FITTING | 2   |            |  |
| 11  | AN194987 | ARM                 | 1   | -4268      | IDLER, WITH BUSHING, (SUB FOR AN192306) (SUB AN272391) |
|     | AN272391 | ARM                 | 1   | 4269-      |  |
| 12  | 14H821   | NUT                 | 4   |            | 5/8", JAM  |
| 13  | 24H1716  | WASHER              | 1   |            | 21/32" X 1-1/4" X 0.120"                               |
| 14  | Z5208H   | SPRING              | 1   |            |  |
| 15  | N192959  | ANGLE               | 1   |            |  |
| 16  | N190929  | SWIVEL              | 1   |            |  |
| 17  | AN192304 | PIVOT               | 1   |            |  |
| 18  | N10215   | LOCK NUT            | 2   |            | 3/8"   |
| 19  | N10214   | SELF-LOCKING SCREW  | 2   |            | 3/8" X 1"  |
| 20  | N190942  | STRAP               | 1   |            | HAMMER   |
| 21  | 24H1367  | WASHER              | 2   |            | 21/32" X 1-1/4" X 1/4"                                 |
| 22  | J16977   | BUSHING             | 1   |            |  |
| 23  | N193155  | ROD                 | 1   |            |  |
| 24  | 11M7084  | COTTER PIN          | 1   |            | 5 X 25 MM  |
| 25  | 34H331   | SPRING PIN          | 2   |            | 5/16" X 1-1/2"   |
| 26  | 24H1441  | WASHER              | AR  |            | 1-1/64" X 1-1/2" X 0.048"                              |
| 27  | N118794  | PIN FASTENER        | 1   |            | PIVOT  |
| 28  | AN193657 | BRACKET             | 1   |            |  |
| 29  | R26776   | SPRING              | 1   |            | TENSION  |

## BASKET, L.H. SIDE - CONTINUED

| KEY | PART NO. | PART NAME  | QTY | SERIAL NO. | REMARKS                    |
|-----|----------|------------|-----|------------|----------------------------|
| 1   | 19H1815  | CAP SCREW  | 4   |            | 1/2" X 1-1/4"              |
| 2   | E62934   | FLANGE NUT | 4   |            | 1/2"                       |
| 3   | AN195080 | ROCKSHAFT  | 1   |            | (SUB FOR AN194724)         |
| 4   | 24H1228  | WASHER     | 2   |            | 1-17/32" X 2-1/2" X 0.120" |
| 5   | 11H250   | COTTER PIN | 2   |            | 1/4" X 2-1/2"              |
| 6   | N197911  | STRAP      | 2   |            |                            |
| 7   | N197898  | SHEET      | 4   |            |                            |
| 8   | N196303  | PANEL      | 1   |            |                            |
| 9   | H88188   | SCREW      | AR  |            | 3/8" X 1"                  |
| 10  | N198766  | ANGLE      | 1   |            |                            |
| 11  | N196312  | CHANNEL    | 1   |            |                            |
| 12  | N198948  | STRAP      | 4   |            | CONVEYOR CHAIN             |
| 13  | N10215   | LOCK NUT   | 8   |            | 3/8"                       |
| 14  | 03H1765  | BOLT       | 8   |            | 3/8" X 3/4"                |
| 15  | M83213   | CAP SCREW  | 4   | 2001-      | 1/2" X 1-1/4"              |
| 16  | E54809   | LOCK NUT   | 4   | 2001-      | 1/2"                       |

# 3114

BASKET

DUCT SUPPORT - CONTINUED  
(SERIAL NO. 101 - 2000)

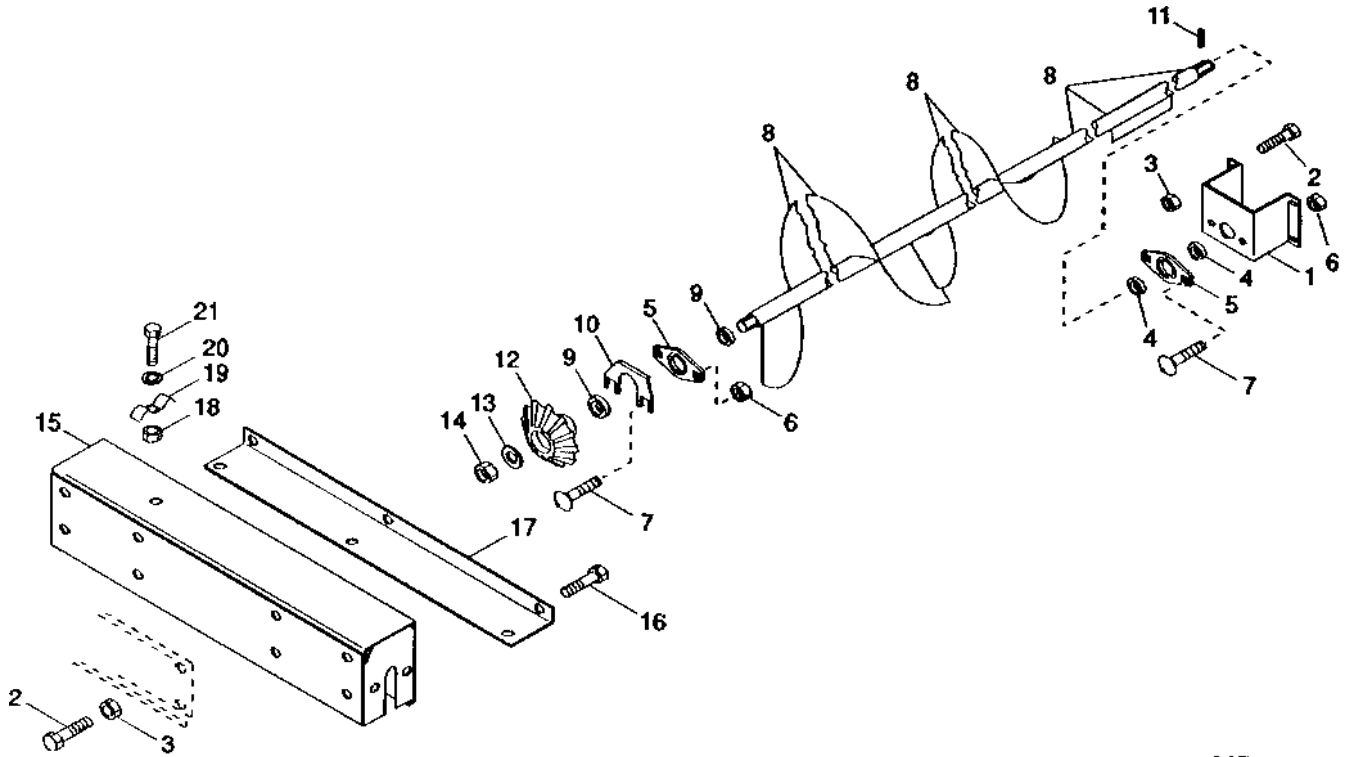
| KEY | PART NO. | PART NAME          | QTY | SERIAL NO. | REMARKS             |
|-----|----------|--------------------|-----|------------|---------------------|
| 1   | N197851  | PIN FASTENER       | 2   |            |                     |
| 2   | N33404   | SPRING             | 2   |            |                     |
| 3   | N33504   | SNAP RING          | 2   |            |                     |
| 4   | N197849  | SUPPORT            | 2   |            |                     |
| 5   | 34H337   | SPRING PIN         | AR  |            | 5/16" X 2-1/2"      |
| 6   | N197119  | STRUCTURAL TUBING  | 1   |            | (IN-LINE UNIT)      |
|     | N198099  | TUBE               | 1   |            | (CONVENTIONAL UNIT) |
| 7   | T11234   | LOCK NUT           | 13  |            | 3/8"                |
| 8   | AN193680 | SUPPORT            | 1   |            | RH                  |
|     | AN193681 | SUPPORT            | 1   |            | LH                  |
| 9   | N198360  | TUBE               | 1   |            |                     |
| 10  | AN194766 | TUBE               | 1   |            |                     |
| 11  | N197100  | SUPPORT            | 2   |            |                     |
| 12  | 19H1801  | CAP SCREW          | 6   |            | 3/8" X 2"           |
| 13  | N191844  | STRAP              | 2   |            |                     |
| 14  | 19H1726  | CAP SCREW          | 3   |            | 3/8" X 2-1/4"       |
| 15  | 19H1721  | CAP SCREW          | 4   |            | 1/2" X 1-1/2"       |
| 16  | 14H1040  | NUT                | 4   |            | 1/2"                |
| 17  | AH90990  | CLIP               | 1   |            |                     |
| 18  | N198183  | ANGLE              | 2   |            |                     |
| 19  | N198333  | STRAP              | 2   |            |                     |
| 20  | 19H1733  | CAP SCREW          | 4   |            | 3/8" X 2-1/2"       |
| 21  | N197848  | SUPPORT            | 2   |            |                     |
| 22  | N14822   | SELF-LOCKING SCREW | 5   |            | 3/8" X 3/4"         |
| 23  | N10215   | LOCK NUT           | 5   |            | 3/8"                |

# 3124

BASKET

NP5019 -UN-01JAN94

## COMPACTOR AUGER & SUPPORTS, RH



**NP5019**

| KEY | PART NO. | PART NAME               | QTY | SERIAL NO.     | REMARKS |
|-----|----------|-------------------------|-----|----------------|---------|
| 1   | N197717  | SUPPORT                 | 2   |                |         |
| 2   | N14822   | SELF-LOCKING SCREW      | AR  | 3/8" X 3/4"    |         |
| 3   | N10215   | LOCK NUT                | AR  | 3/8"           |         |
| 4   | N198135  | SPACER                  | 4   |                |         |
| 5   | AN193602 | PRESSED FLANGED HOUSING | 4   |                |         |
| 6   | N10215   | LOCK NUT                | 8   | 3/8"           |         |
| 7   | 03H1765  | BOLT                    | 8   | 3/8" X 3/4"    |         |
| 8   | AN193171 | AUGER                   | 1   |                |         |
| 9   | N197974  | WASHER                  | 2   |                |         |
| 10  | N197728  | SHIM                    | AR  |                |         |
| 11  | E63018   | SPRING PIN              | 2   | 5/16" X 1-3/4" |         |
| 12  | N197882  | BEVEL GEAR              | 2   |                |         |
| 13  | T10510   | WASHER                  | 2   |                |         |
| 14  | N101345  | LOCK NUT                | 2   | 3/4"           |         |
| 15  | AN193172 | SUPPORT                 | 1   |                |         |
| 16  | T19179   | CAP SCREW               | 6   | 3/8" X 0.620"  |         |
| 17  | N196392  | SHIELD                  | 1   |                |         |
| 18  | T16464   | LOCK NUT                | 1   |                |         |
| 19  | L4023N   | CLAMP                   | 1   |                |         |
| 20  | N32491   | ISOLATOR                | 1   |                |         |
| 21  | 19H1900  | CAP SCREW               | 1   | 5/16" X 3/4"   |         |

# 3J9

BASKET

## CONVEYOR DRIVE - CONTINUED

| KEY | PART NO. | PART NAME               | QTY | SERIAL NO. | REMARKS                               |
|-----|----------|-------------------------|-----|------------|---------------------------------------|
| 1   | N199853  | SUPPORT                 | 1   |            | (SUB FOR N196340)                     |
| 2   | 19H2228  | CAP SCREW               | 16  |            | 3/8" X 4"                             |
| 3   | N10215   | LOCK NUT                | AR  |            | 3/8"                                  |
| 4   | N199854  | HUB                     | 1   |            | (SUB FOR N196339)                     |
| 5   | 34H334   | SPRING PIN              | 5   |            | 5/16" X 2"                            |
| 6   | AN193167 | CHAIN SPROCKET          | 4   | -2000      |                                       |
|     | AN193167 | CHAIN SPROCKET          | 3   | 2001-      |                                       |
| 7   | 19H1800  | CAP SCREW               | 3   |            | 3/8" X 1-1/2"                         |
| 8   | 03H1495  | BOLT                    | 6   |            | 3/8" X 1-1/2"                         |
| 9   | H76961   | PRESSED FLANGED HOUSING | 6   |            |                                       |
| 10  | N199846  | SUPPORT                 | 3   |            | (SUB FOR N196341)                     |
| 11  | JD9420   | BALL BEARING            | 3   |            |                                       |
| 12  | N196338  | SHAFT                   | 1   |            |                                       |
| 13  | 24H530   | WASHER                  | 3   |            | 1-15/32" X 2" X 0.105"                |
| 14  | AN193168 | ROLLER CHAIN            | 4   | -2000      |                                       |
|     | AN195159 | ROLLER CHAIN            | 4   | 2001-      |                                       |
| 15  | N196337  | CHANNEL                 | 12  |            |                                       |
| 16  | N198052  | STRAP                   | 6   |            |                                       |
| 17  | N13129   | CLAMP                   | 6   | -2000      |                                       |
| 18  | AN11940  | CHAIN LINK              | 6   | -2000      | (USE WITH AN193168)                   |
|     | AN195167 | LINK CHAIN              | 6   | 2001-      | (USE WITH AN195159) CA557 COUPLER     |
| 19  | N13136   | PIN FASTENER            | 6   | -2000      |                                       |
| 20  | AN11935  | CHAIN LINK              | 6   | -2000      | (USE WITH AN193168)                   |
|     | AN195170 | LINK CHAIN              | 6   | 2001-      | (USE WITH AN195159) LINK OFFSET CA557 |
| 21  | N112200  | SELF-LOCKING SCREW      | 36  |            |                                       |
| 22  | K40002   | LOCK NUT                | 36  |            | 5/16"                                 |
| 23  | 14H1058  | NUT                     | 16  |            | 3/4"                                  |
| 24  | N194665  | EYEBOLT                 | 8   |            |                                       |
| 25  | 24H1448  | WASHER                  | 16  |            | 1-1/32" X 1-1/2" X 0.120"             |
| 26  | AN105194 | DRIVE SPROCKET          | 4   |            |                                       |
| 27  | N60598   | PIN FASTENER            | 4   |            |                                       |
| 28  | 11M7034  | COTTER PIN              | 16  |            | 5 X 63 MM                             |
| 29  | AN195169 | CHAIN SPROCKET          | 1   | 2001-      |                                       |
| 30  | 19H1793  | CAP SCREW               | 4   |            | 1/2" X 2", FULL THREAD                |
|     | 12H301   | LOCK WASHER             | 4   |            | 1/2"                                  |
|     | 14H1040  | NUT                     | 4   |            | 1/2"                                  |

LINK THAT HOLDS CHAIN TO SLATS IS NOT SET UP FOR SERVICE...SEE LOCAL HARDWARE DEALER.

## NUMERICAL INDEX - CONTINUED

| PART NO. | GRID | KEY | PAGE     | PART NO. | GRID | KEY | PAGE     | PART NO. | GRID | KEY | PAGE     |
|----------|------|-----|----------|----------|------|-----|----------|----------|------|-----|----------|
| AN193569 | 2G24 | 35  | 90 - 3   | AN193704 | 1K5  | 18  | 50 - 42  | AN193829 | 2C23 | 20  | 70 - 15  |
| AN193571 | 1H25 | 1   | 40 - 30  | AN193707 | 3H11 | 1   | 150 - 12 | AN193831 | 2J5  | 11  | 100 - 4  |
| AN193572 | 3D18 | 9   | 120 - 7  | AN193708 | 3H11 | 15  | 150 - 12 | AN193838 | 1I17 | 9   | 50 - 3   |
| AN193576 | 3H9  | 23  | 150 - 9  | AN193709 | 3H11 | 14  | 150 - 12 | AN193843 | 3B20 | 15  | 110 - 17 |
| AN193577 | 3H9  | 28  | 150 - 9  | AN193710 | 3H11 | 3   | 150 - 12 | AN193844 | 3B20 | 16  | 110 - 17 |
| AN193578 | 3H9  | 28  | 150 - 9  | AN193712 | 1F2  | 7   | 30 - 23  | AN193847 | 3G3  | 11  | 140 - 3  |
| AN193580 | 3H9  | 25  | 150 - 9  | AN193714 | 1F2  | 6   | 30 - 23  | AN193852 | 3F10 | 1   | 130 - 5  |
| AN193581 | 3H9  | 26  | 150 - 9  | AN193715 | 2E23 | 2   | 70 - 66  | AN193853 | 1J22 | 4   | 50 - 34  |
| AN193582 | 2J2  | 5   | 100 - 1  | AN193715 | 2E23 | 4   | 70 - 66  | AN193853 | 1J22 | 11  | 50 - 34  |
| AN193585 | 1I18 | 17  | 50 - 4   | AN193715 | 2E23 | 13  | 70 - 66  | AN193854 | 1I17 | 6   | 50 - 3   |
| AN193600 | 1E8  | 3   | 30 - 3   | AN193716 | 3I20 | 2   | 160 - 25 | AN193855 | 2G22 | 16  | 90 - 1   |
| AN193601 | 3E14 | 24  | 120 - 29 | AN193718 | 2G1  | 12  | 80 - 14  | AN193862 | 2J4  | 17  | 100 - 3  |
| AN193601 | 3E14 | 25  | 120 - 29 | AN193719 | 2G1  | 5   | 80 - 14  | AN193862 | 2J6  | 2   | 100 - 5  |
| AN193601 | 3F3  | 4   | 120 - 44 | AN193720 | 1F2  | 2   | 30 - 23  | AN193863 | 1H16 | 1   | 40 - 21  |
| AN193601 | 3F3  | 5   | 120 - 44 | AN193722 | 3H25 | 3   | 160 - 5  | AN193864 | 1I20 | 9   | 50 - 7   |
| AN193602 | 3I24 | 5   | 160 - 29 | AN193724 | 2G5  | 4   | 80 - 18  | AN193866 | 2E10 | 6   | 70 - 53  |
| AN193602 | 3I25 | 5   | 160 - 30 | AN193725 | 3D20 | 7   | 120 - 9  | AN193866 | 2E12 | 7   | 70 - 55  |
| AN193602 | 3J1  | 5   | 160 - 31 | AN193726 | 3J10 | 2   | 160 - 40 | AN193867 | 2D6  | 16  | 70 - 23  |
| AN193605 | 1K5  | 6   | 50 - 42  | AN193727 | 3B24 | 16  | 110 - 21 | AN193867 | 2E10 | 7   | 70 - 53  |
| AN193606 | 1K5  | 17  | 50 - 42  | AN193728 | 3I25 | 15  | 160 - 30 | AN193867 | 2E12 | 6   | 70 - 55  |
| AN193607 | 2F21 | 2   | 80 - 9   | AN193729 | 3H25 | 28  | 160 - 5  | AN193872 | 1H4  | 6   | 40 - 9   |
| AN193608 | 2C23 | 3   | 70 - 15  | AN193730 | 3H25 | 12  | 160 - 5  | AN193874 | 2B16 | 18  | 60 - 16  |
| AN193609 | 2C23 | 4   | 70 - 15  | AN193734 | 2G8  | 11  | 80 - 21  | AN193875 | 2B16 | 7   | 60 - 16  |
| AN193610 | 2C23 | 7   | 70 - 15  | AN193735 | 2G8  | 11  | 80 - 21  | AN193876 | 2B3  | 6   | 60 - 3   |
| AN193616 | 2C6  | 5   | 60 - 31  | AN193739 | 2F15 | 18  | 80 - 3   | AN193880 | 3C4  | 22  | 110 - 25 |
| AN193617 | 2C6  | 4   | 60 - 31  | AN193740 | 2G4  | 13  | 80 - 17  | AN193880 | 3C6  | 21  | 110 - 27 |
| AN193618 | 2C6  | 10  | 60 - 31  | AN193741 | 3H9  | 36  | 150 - 9  | AN193883 | 2B11 | 13  | 60 - 11  |
| AN193619 | 2C6  | 11  | 60 - 31  | AN193743 | 3I21 | 3   | 160 - 26 | AN193883 | 2C25 | 12  | 70 - 17  |
| AN193623 | 2B21 | 4   | 60 - 21  | AN193744 | 2E2  | 17  | 70 - 45  | AN193883 | 2D2  | 9   | 70 - 19  |
| AN193623 | 2B23 | 4   | 60 - 23  | AN193745 | 2J4  | 20  | 100 - 3  | AN193883 | 2D6  | 9   | 70 - 23  |
| AN193626 | 2B13 | 1   | 60 - 13  | AN193746 | 3I22 | 4   | 160 - 27 | AN193883 | 2E18 | 10  | 70 - 61  |
| AN193627 | 2E6  | 14  | 70 - 49  | AN193747 | 3I22 | 4   | 160 - 27 | AN193886 | 3H5  | 6   | 150 - 5  |
| AN193629 | 2C6  | 1   | 60 - 31  | AN193748 | 2E2  | 15  | 70 - 45  | AN193887 | 3H5  | 5   | 150 - 5  |
| AN193636 | 3C4  | 6   | 110 - 25 | AN193752 | 2E10 | 24  | 70 - 53  | AN193888 | 2D14 | 21  | 70 - 31  |
| AN193636 | 3C6  | 6   | 110 - 27 | AN193752 | 2E12 | 16  | 70 - 55  | AN193896 | 3D16 | 9   | 120 - 5  |
| AN193637 | 3C4  | 33  | 110 - 25 | AN193754 | 3H25 | 25  | 160 - 5  | AN193908 | 2G22 | 15  | 90 - 1   |
| AN193637 | 3C6  | 32  | 110 - 27 | AN193757 | 2G14 | 5   | 80 - 27  | AN193915 | 3D25 | 6   | 120 - 15 |
| AN193641 | 2D19 | 19  | 70 - 37  | AN193758 | 1H8  | 13  | 40 - 13  | AN193920 | 2J2  | 9   | 100 - 1  |
| AN193650 | 3G13 | 28  | 140 - 13 | AN193763 | 2D17 | 6   | 70 - 35  | AN193921 | 2J2  | 9   | 100 - 1  |
| AN193650 | 3G15 | 29  | 140 - 15 | AN193764 | 3I23 | 1   | 160 - 28 | AN193922 | 3G3  | 5   | 140 - 3  |
| AN193650 | 3G19 | 3   | 140 - 19 | AN193766 | 1H6  | 17  | 40 - 11  | AN193937 | 3I22 | 1   | 160 - 27 |
| AN193651 | 3B4  | ..  | 110 - 1  | AN193771 | 3H9  | 6   | 150 - 9  | AN193938 | 2D21 | 16  | 70 - 39  |
| AN193652 | 3B4  | ..  | 110 - 1  | AN193774 | 1H24 | 4   | 40 - 29  | AN193940 | 3F10 | 11  | 130 - 5  |
| AN193653 | 3B4  | ..  | 110 - 1  | AN193777 | 3H11 | 7   | 150 - 12 | AN193940 | 3F12 | 10  | 130 - 7  |
| AN193654 | 3B4  | ..  | 110 - 1  | AN193778 | 3H11 | 4   | 150 - 12 | AN193946 | 2D21 | 18  | 70 - 39  |
| AN193655 | 3B4  | ..  | 110 - 1  | AN193778 | 3H11 | 11  | 150 - 12 | AN193948 | 3B24 | 12  | 110 - 21 |
| AN193657 | 3H18 | 28  | 150 - 19 | AN193784 | 2F9  | ..  | 70 - 77  | AN193949 | 2E18 | 3   | 70 - 61  |
| AN193658 | 3H19 | 2   | 150 - 20 | AN193785 | 3H14 | ..  | 150 - 15 | AN193950 | 2E12 | 8   | 70 - 55  |
| AN193661 | 2H3  | 4   | 90 - 6   | AN193790 | 2G5  | 4   | 80 - 18  | AN193951 | 2D14 | 26  | 70 - 31  |
| AN193661 | 2H4  | 3   | 90 - 7   | AN193792 | 3I25 | 19  | 160 - 30 | AN193951 | 2D16 | 12  | 70 - 33  |
| AN193668 | 3H7  | 5   | 150 - 7  | AN193793 | 3I19 | 15  | 160 - 24 | AN193952 | 3C2  | 3   | 110 - 23 |
| AN193669 | 3H7  | 13  | 150 - 7  | AN193794 | 3I19 | 9   | 160 - 24 | AN193953 | 2B15 | 7   | 60 - 15  |
| AN193671 | 1J4  | 3   | 50 - 15  | AN193794 | 3I19 | 10  | 160 - 24 | AN193954 | 2B15 | 6   | 60 - 15  |
| AN193674 | 2G16 | 1   | 80 - 29  | AN193796 | 1F2  | 3   | 30 - 23  | AN193954 | 2D2  | 14  | 70 - 19  |
| AN193675 | 2G16 | 1   | 80 - 29  | AN193804 | 3H16 | ..  | 150 - 17 | AN193955 | 2E4  | 15  | 70 - 47  |
| AN193679 | 1H24 | 16  | 40 - 29  | AN193806 | 2G9  | 7   | 80 - 22  | AN193956 | 2E8  | 4   | 70 - 51  |
| AN193679 | 3B6  | 1   | 110 - 3  | AN193808 | 2G16 | 11  | 80 - 29  | AN193957 | 3H11 | 5   | 150 - 12 |
| AN193679 | 3B8  | 3   | 110 - 5  | AN193810 | 2J8  | 13  | 100 - 7  | AN193960 | 2E4  | 13  | 70 - 47  |
| AN193679 | 3C20 | 23  | 110 - 41 | AN193811 | 2J8  | 13  | 100 - 7  | AN193961 | 2E4  | 10  | 70 - 47  |
| AN193679 | 3C22 | 25  | 110 - 43 | AN193812 | 2E16 | 5   | 70 - 59  | AN193962 | 2E8  | 10  | 70 - 51  |
| AN193680 | 3I14 | 8   | 160 - 19 | AN193814 | 2F7  | 3   | 70 - 75  | AN193963 | 2E8  | 6   | 70 - 51  |
| AN193681 | 3I14 | 8   | 160 - 19 | AN193815 | 1H11 | 10  | 40 - 16  | AN193964 | 3F18 | 13  | 130 - 13 |
| AN193697 | 1H21 | 1   | 40 - 26  | AN193818 | 3B18 | 16  | 110 - 15 | AN193965 | 2D21 | 1   | 70 - 39  |
| AN193698 | 1H20 | 1   | 40 - 25  | AN193821 | 3B18 | 20  | 110 - 15 | AN193966 | 2E8  | 12  | 70 - 51  |
| AN193699 | 1H20 | 2   | 40 - 25  | AN193825 | 1I17 | 32  | 50 - 3   | AN193973 | 3F18 | 14  | 130 - 13 |
| AN193702 | 1K5  | 13  | 50 - 42  | AN193826 | 2B3  | 12  | 60 - 3   | AN193974 | 2D25 | 8   | 70 - 43  |
| AN193702 | 1K6  | 15  | 50 - 43  | AN193829 | 2C23 | 12  | 70 - 15  | AN193975 | 2E14 | 17  | 70 - 57  |

## NUMERICAL INDEX - CONTINUED

| PART NO. | GRID | KEY | PAGE   | PART NO. | GRID | KEY | PAGE   | PART NO. | GRID | KEY | PAGE   |
|----------|------|-----|--------|----------|------|-----|--------|----------|------|-----|--------|
| N10215   | 2B11 | 25  | 60-11  | N10215   | 3E23 | 3   | 120-39 | N10217   | 3H3  | 7   | 150-3  |
| N10215   | 2B19 | 9   | 60-19  | N10215   | 3E25 | 19  | 120-41 | N10217   | 3H4  | 9   | 150-4  |
| N10215   | 2B19 | 21  | 60-19  | N10215   | 3F2  | 17  | 120-43 | N10217   | 3H5  | 15  | 150-5  |
| N10215   | 2C20 | 2   | 70-11  | N10215   | 3F6  | 4   | 130-1  | N10217   | 3H23 | 5   | 160-3  |
| N10215   | 2C21 | 13  | 70-12  | N10215   | 3F17 | 8   | 130-12 | N10217   | 3I12 | 10  | 160-17 |
| N10215   | 2D4  | 15  | 70-21  | N10215   | 3F18 | 9   | 130-13 | N10219   | 2B16 | 6   | 60-16  |
| N10215   | 2D17 | 15  | 70-35  | N10215   | 3G3  | 17  | 140-3  | N103767  | 3D9  | 6   | 110-55 |
| N10215   | 2D19 | 10  | 70-37  | N10215   | 3G5  | 18  | 140-5  | N103767  | 3D10 | 4   | 110-56 |
| N10215   | 2D21 | 9   | 70-39  | N10215   | 3G9  | 3   | 140-9  | N10542   | 1H25 | 10  | 40-30  |
| N10215   | 2F21 | 5   | 80-9   | N10215   | 3G10 | 15  | 140-10 | N10542   | 1I1  | 7   | 40-31  |
| N10215   | 2F23 | 8   | 80-11  | N10215   | 3G13 | 19  | 140-13 | N105572  | 3H23 | 22  | 160-3  |
| N10215   | 2F25 | 13  | 80-13  | N10215   | 3G15 | 19  | 140-15 | N110008  | 3B20 | 22  | 110-17 |
| N10215   | 2G1  | 2   | 80-14  | N10215   | 3G17 | 17  | 140-17 | N110010  | 3C23 | 18  | 110-44 |
| N10215   | 2G2  | 2   | 80-15  | N10215   | 3G21 | 24  | 140-21 | N110123  | 3C15 | 3   | 110-36 |
| N10215   | 2G4  | 7   | 80-17  | N10215   | 3G23 | 3   | 140-23 | N110124  | 3C15 | 4   | 110-36 |
| N10215   | 2G8  | 17  | 80-21  | N10215   | 3H3  | 10  | 150-3  | N110125  | 3C15 | 12  | 110-36 |
| N10215   | 2G14 | 3   | 80-27  | N10215   | 3H4  | 3   | 150-4  | N110133  | 3E12 | 9   | 120-27 |
| N10215   | 2G16 | 2   | 80-29  | N10215   | 3H5  | 2   | 150-5  | N110223  | 3E19 | 6   | 120-35 |
| N10215   | 2G17 | 3   | 80-30  | N10215   | 3H7  | 2   | 150-7  | N110523  | 2E14 | 8   | 70-57  |
| N10215   | 2G18 | 2   | 80-31  | N10215   | 3H9  | 2   | 150-9  | N110523  | 2E25 | 7   | 70-68  |
| N10215   | 2G22 | 19  | 90-1   | N10215   | 3H10 | 16  | 150-11 | N110524  | 2D21 | 21  | 70-39  |
| N10215   | 2G24 | 6   | 90-3   | N10215   | 3H11 | 8   | 150-12 | N110762  | 3D21 | 7   | 120-10 |
| N10215   | 2H2  | 2   | 90-5   | N10215   | 3H12 | 8   | 150-13 | N110762  | 3D22 | 8   | 120-11 |
| N10215   | 2H3  | 2   | 90-6   | N10215   | 3H14 | 19  | 150-15 | N111488  | 2C20 | 13  | 70-11  |
| N10215   | 2H4  | 2   | 90-7   | N10215   | 3H16 | 29  | 150-17 | N111492  | 2C20 | 19  | 70-11  |
| N10215   | 2H6  | 7   | 90-9   | N10215   | 3H18 | 18  | 150-19 | N111493  | 1K2  | 8   | 50-39  |
| N10215   | 2H9  | 3   | 90-12  | N10215   | 3I4  | 13  | 160-9  | N111521  | 3E19 | 10  | 120-35 |
| N10215   | 2H12 | 10  | 90-15  | N10215   | 3I8  | 27  | 160-13 | N111876  | 3F12 | 2   | 130-7  |
| N10215   | 2H15 | 3   | 90-19  | N10215   | 3I10 | 1   | 160-15 | N111995  | 2D8  | 7   | 70-25  |
| N10215   | 2H20 | 2   | 90-24  | N10215   | 3I14 | 23  | 160-19 | N111995  | 2E2  | 16  | 70-45  |
| N10215   | 2H24 | 24  | 90-29  | N10215   | 3I16 | 17  | 160-21 | N111995  | 2E10 | 15  | 70-53  |
| N10215   | 2I19 | 15  | 90-49  | N10215   | 3I16 | 18  | 160-21 | N112006  | 2D23 | 1   | 70-41  |
| N10215   | 2J2  | 7   | 100-1  | N10215   | 3I18 | 3   | 160-23 | N112200  | 1D13 | 6   | 20-59  |
| N10215   | 3B6  | 16  | 110-3  | N10215   | 3I19 | 7   | 160-24 | N112200  | 1H3  | 1   | 40-8   |
| N10215   | 3B8  | 19  | 110-5  | N10215   | 3I20 | 4   | 160-25 | N112200  | 3C2  | 14  | 110-23 |
| N10215   | 3B10 | 11  | 110-7  | N10215   | 3I24 | 3   | 160-29 | N112200  | 3C12 | 9   | 110-33 |
| N10215   | 3B12 | 20  | 110-9  | N10215   | 3I24 | 6   | 160-29 | N112200  | 3D9  | 1   | 110-55 |
| N10215   | 3B14 | 17  | 110-11 | N10215   | 3I25 | 3   | 160-30 | N112200  | 3D10 | 1   | 110-56 |
| N10215   | 3B16 | 1   | 110-13 | N10215   | 3J1  | 4   | 160-31 | N112200  | 3J9  | 21  | 160-39 |
| N10215   | 3B18 | 4   | 110-15 | N10215   | 3J3  | 21  | 160-33 | N112291  | 3E21 | 2   | 120-37 |
| N10215   | 3B20 | 2   | 110-17 | N10215   | 3J5  | 5   | 160-35 | N112394  | 2B11 | 11  | 60-11  |
| N10215   | 3B22 | 2   | 110-19 | N10215   | 3J7  | 5   | 160-37 | N112394  | 3E19 | 8   | 120-35 |
| N10215   | 3B24 | 7   | 110-21 | N10215   | 3J9  | 3   | 160-39 | N112471  | 3C25 | 11  | 110-46 |
| N10215   | 3C2  | 7   | 110-23 | N10215   | 3J10 | 7   | 160-40 | N112737  | 3E21 | 13  | 120-37 |
| N10215   | 3C4  | 5   | 110-25 | N10216   | 1K1  | 7   | 50-38  | N112852  | 3E2  | 3   | 120-17 |
| N10215   | 3C6  | 5   | 110-27 | N10216   | 2F25 | 2   | 80-13  | N112852  | 3E4  | 34  | 120-19 |
| N10215   | 3C8  | 15  | 110-29 | N10216   | 2H2  | 19  | 90-5   | N112852  | 3E6  | 23  | 120-21 |
| N10215   | 3C10 | 3   | 110-31 | N10216   | 2I16 | 1   | 90-46  | N112852  | 3E10 | 3   | 120-25 |
| N10215   | 3C12 | 11  | 110-33 | N10216   | 3B24 | 6   | 110-21 | N112853  | 3E2  | 3   | 120-17 |
| N10215   | 3C14 | 3   | 110-35 | N10216   | 3G13 | 10  | 140-13 | N112853  | 3E4  | 34  | 120-19 |
| N10215   | 3C15 | 9   | 110-36 | N10216   | 3G15 | 10  | 140-15 | N112853  | 3E6  | 23  | 120-21 |
| N10215   | 3C16 | 8   | 110-37 | N10217   | 1G22 | 2   | 40-3   | N112853  | 3E10 | 3   | 120-25 |
| N10215   | 3C18 | 16  | 110-39 | N10217   | 1H10 | 10  | 40-15  | N112854  | 3E2  | 3   | 120-17 |
| N10215   | 3C20 | 2   | 110-41 | N10217   | 1H25 | 11  | 40-30  | N112854  | 3E4  | 34  | 120-19 |
| N10215   | 3C22 | 3   | 110-43 | N10217   | 1I1  | 10  | 40-31  | N112854  | 3E6  | 23  | 120-21 |
| N10215   | 3C23 | 23  | 110-44 | N10217   | 1J14 | 14  | 50-26  | N112854  | 3E10 | 3   | 120-25 |
| N10215   | 3C24 | 16  | 110-45 | N10217   | 2C6  | 13  | 60-31  | N113307  | 3E19 | 7   | 120-35 |
| N10215   | 3C25 | 6   | 110-46 | N10217   | 2G18 | 7   | 80-31  | N114175  | 3E14 | 44  | 120-29 |
| N10215   | 3D1  | 6   | 110-47 | N10217   | 2H2  | 18  | 90-5   | N114205  | 3E23 | 5   | 120-39 |
| N10215   | 3D3  | 20  | 110-49 | N10217   | 2H24 | 29  | 90-29  | N114254  | 3G23 | 20  | 140-23 |
| N10215   | 3D5  | 6   | 110-51 | N10217   | 2I16 | 2   | 90-46  | N114610  | 2E16 | 8   | 70-59  |
| N10215   | 3D7  | 13  | 110-53 | N10217   | 3B24 | 1   | 110-21 | N114610  | 2E18 | 11  | 70-61  |
| N10215   | 3D8  | 6   | 110-54 | N10217   | 3C25 | 17  | 110-46 | N114994  | 3C23 | 24  | 110-44 |
| N10215   | 3D9  | 4   | 110-55 | N10217   | 3D1  | 8   | 110-47 | N115058  | 3C14 | 5   | 110-35 |
| N10215   | 3D10 | 8   | 110-56 | N10217   | 3F4  | 3   | 120-45 | N115096  | 1I7  | 11  | 40-37  |
| N10215   | 3D19 | 17  | 120-8  | N10217   | 3G5  | 16  | 140-5  | N115152  | 3C12 | 8   | 110-33 |
| N10215   | 3D20 | 9   | 120-9  | N10217   | 3G7  | 11  | 140-7  | N115153  | 3C12 | 8   | 110-33 |

**NUMERICAL INDEX - CONTINUED**

| PART NO. | GRID | KEY | PAGE     | PART NO. | GRID | KEY | PAGE     | PART NO. | GRID | KEY | PAGE     |
|----------|------|-----|----------|----------|------|-----|----------|----------|------|-----|----------|
| N272791  | 3G23 | 39  | 140 - 23 | N278403  | 3B8  | 34  | 110 - 5  | N34274   | 3C23 | 9   | 110 - 44 |
| N272829  | 2G24 | 21  | 90 - 3   | N278575  | 3J3  | 23  | 160 - 33 | N34274   | 3C24 | 2   | 110 - 45 |
| N272830  | 3J14 | ..  | 170 - 3  | N278577  | 3I8  | 1   | 160 - 13 | N34376   | 2C23 | 23  | 70 - 15  |
| N272836  | 3I8  | 19  | 160 - 13 | N278585  | 3J3  | 18  | 160 - 33 | N34376   | 2C25 | 21  | 70 - 17  |
| N272837  | 3I8  | 16  | 160 - 13 | N278589  | 3I2  | 8   | 160 - 7  | N34376   | 2D2  | 20  | 70 - 19  |
| N272869  | 2F25 | 1   | 80 - 13  | N278592  | 3I8  | 13  | 160 - 13 | N34376   | 3F13 | 4   | 130 - 8  |
| N272871  | 1E25 | 1   | 30 - 21  | N278595  | 3I2  | 1   | 160 - 7  | N34376   | 3F14 | 4   | 130 - 9  |
| N272904  | 3I8  | 1   | 160 - 13 | N278600  | 3I2  | 3   | 160 - 7  | N34497   | 2J10 | 1   | 100 - 9  |
| N272920  | 3J14 | ..  | 170 - 3  | N278600  | 3I8  | 3   | 160 - 13 | N34497   | 2J10 | 2   | 100 - 9  |
| N272923  | 3J12 | ..  | 170 - 1  | N278609  | 3I19 | 3   | 160 - 24 | N34602   | 1I17 | 20  | 50 - 3   |
| N272923  | 3J14 | ..  | 170 - 3  | N278745  | 3J12 | ..  | 170 - 1  | N34602   | 1J14 | 8   | 50 - 26  |
| N272929  | 3J14 | ..  | 170 - 3  | N278775  | 3J3  | 7   | 160 - 33 | N34602   | 3H3  | 12  | 150 - 3  |
| N272932  | 3J14 | ..  | 170 - 3  | N278776  | 3J3  | 5   | 160 - 33 | N34675   | 2F5  | 5   | 70 - 73  |
| N272935  | 3J14 | ..  | 170 - 3  | N278950  | 3F18 | 8   | 130 - 13 | N35147   | 3H12 | 6   | 150 - 13 |
| N272938  | 3J14 | ..  | 170 - 3  | N278980  | 2F25 | 28  | 80 - 13  | N371755  | 3G13 | 24  | 140 - 13 |
| N272941  | 3J12 | ..  | 170 - 1  | N278985  | 3J14 | ..  | 170 - 3  | N371755  | 3G15 | 24  | 140 - 15 |
| N272944  | 3J14 | ..  | 170 - 3  | N279298  | 2H6  | 2   | 90 - 9   | N372221  | 2G4  | 11  | 80 - 17  |
| N272947  | 3J14 | ..  | 170 - 3  | N279298  | 2H8  | 2   | 90 - 11  | N373227  | 3J14 | ..  | 170 - 3  |
| N272950  | 3J14 | ..  | 170 - 3  | N279298  | 2H9  | 6   | 90 - 12  | N374319  | 3B12 | 5   | 110 - 9  |
| N272954  | 3J14 | ..  | 170 - 3  | N279362  | 2J6  | 8   | 100 - 5  | N374527  | 3I12 | 4A  | 160 - 17 |
| N272970  | 1H24 | 16  | 40 - 29  | N279363  | 2J6  | 10  | 100 - 5  | N374527  | 3I12 | 4B  | 160 - 17 |
| N272970  | 3B6  | 1   | 110 - 3  | N279372  | 3E19 | 16  | 120 - 35 | N375766  | 3I2  | 18  | 160 - 7  |
| N272970  | 3B8  | 3   | 110 - 5  | N279671  | 1J9  | 10  | 50 - 21  | N60598   | 3J9  | 27  | 160 - 39 |
| N272970  | 3C20 | 6   | 110 - 41 | N30239   | 3C24 | 5   | 110 - 45 | N60865   | 2J10 | 1   | 100 - 9  |
| N272970  | 3C22 | 25  | 110 - 43 | N30323   | 3E4  | 32  | 120 - 19 | N60865   | 2J10 | 2   | 100 - 9  |
| N273022  | 3B6  | 18  | 110 - 3  | N30323   | 3E6  | 21  | 120 - 21 | N60865   | 2J10 | 5   | 100 - 9  |
| N273022  | 3B8  | 22  | 110 - 5  | N31187   | 3I10 | 8   | 160 - 15 | N71292   | 1E25 | 14  | 30 - 21  |
| N273023  | 3B6  | 19  | 110 - 3  | N31257   | 2G22 | 21  | 90 - 1   | N71292   | 1F25 | 6   | 30 - 47  |
| N273023  | 3B8  | 24  | 110 - 5  | N31257   | 3B12 | 23  | 110 - 9  | N71292   | 2B3  | 4   | 60 - 3   |
| N273156  | 1J15 | 2   | 50 - 27  | N31583   | 2F25 | 17  | 80 - 13  | N71292   | 3H3  | 19  | 150 - 3  |
| N273157  | 1J15 | 12  | 50 - 27  | N31767   | 2C20 | 14  | 70 - 11  | N71920   | 3D24 | 13  | 120 - 13 |
| N273250  | 3E16 | 16  | 120 - 31 | N31971   | 3F2  | 1   | 120 - 43 | N71920   | 3E4  | 14  | 120 - 19 |
| N273274  | 3I19 | 16  | 160 - 24 | N31972   | 3F2  | 18  | 120 - 43 | N71920   | 3E6  | 14  | 120 - 21 |
| N273275  | 3I19 | 5   | 160 - 24 | N32491   | 3I24 | 20  | 160 - 29 | N71920   | 3E7  | 14  | 120 - 22 |
| N273328  | 2F25 | 7   | 80 - 13  | N33203   | 2F7  | 21  | 70 - 75  | N71920   | 3E8  | 14  | 120 - 23 |
| N273460  | 3F1  | 2   | 120 - 42 | N33203   | 3D21 | 1   | 120 - 10 | N71921   | 3D14 | 3   | 120 - 3  |
| N273573  | 3C2  | 28  | 110 - 23 | N33203   | 3D22 | 2   | 120 - 11 | N71921   | 3D16 | 3   | 120 - 5  |
| N273614  | 3I23 | 2   | 160 - 28 | N33203   | 3D24 | 14  | 120 - 13 | N73390   | 2E24 | 3   | 70 - 67  |
| N273615  | 3I23 | 2   | 160 - 28 | N33203   | 3E2  | 31  | 120 - 17 | N73390   | 2E25 | 3   | 70 - 68  |
| N273684  | 3D24 | 28  | 120 - 13 | N33203   | 3E4  | 1   | 120 - 19 | N73390   | 2J12 | 22  | 100 - 11 |
| N273684  | 3D24 | ..  | 120 - 13 | N33203   | 3E6  | 1   | 120 - 21 | N73405   | 2E24 | 1   | 70 - 67  |
| N273738  | 3G23 | 27  | 140 - 23 | N33203   | 3E7  | 1   | 120 - 22 | N73405   | 2E25 | 1   | 70 - 68  |
| N273738  | 3G23 | 39  | 140 - 23 | N33203   | 3E8  | 1   | 120 - 23 | N73405   | 2J12 | 24  | 100 - 11 |
| N273739  | 3G23 | 27  | 140 - 23 | N33203   | 3E10 | 31  | 120 - 25 | N73405   | 3H23 | 8   | 160 - 3  |
| N273739  | 3G23 | 39  | 140 - 23 | N33403   | 3C25 | 12  | 110 - 46 | N85025   | 3B18 | 18  | 110 - 15 |
| N273779  | 3G23 | 6   | 140 - 23 | N33404   | 3B20 | 11  | 110 - 17 | N85025   | 3C2  | 1   | 110 - 23 |
| N274290  | 1F2  | 11  | 30 - 23  | N33404   | 3B22 | 11  | 110 - 19 | N85025   | 3D5  | 12  | 110 - 51 |
| N274964  | 1H24 | 5   | 40 - 29  | N33404   | 3C23 | 8   | 110 - 44 | N85025   | 3D7  | 4   | 110 - 53 |
| N274964  | 1H24 | 19  | 40 - 29  | N33404   | 3C24 | 3   | 110 - 45 | N85025   | 3D17 | 1   | 120 - 6  |
| N274964  | 3E21 | 10  | 120 - 37 | N33404   | 3C25 | 10  | 110 - 46 | N85025   | 3D19 | 1   | 120 - 8  |
| N275030  | 2G8  | 11  | 80 - 21  | N33404   | 3I14 | 2   | 160 - 19 | N85025   | 3G23 | 28  | 140 - 23 |
| N275031  | 2G8  | 11  | 80 - 21  | N33404   | 3I16 | 2   | 160 - 21 | N85254   | 3E2  | 9   | 120 - 17 |
| N275063  | 3E19 | 12  | 120 - 35 | N33504   | 1K1  | 4   | 50 - 38  | N85254   | 3E10 | 9   | 120 - 25 |
| N275108  | 2J8  | 43  | 100 - 7  | N33504   | 2B19 | 6   | 60 - 19  | N85255   | 3E2  | 9   | 120 - 17 |
| N275212  | 3E17 | 9   | 120 - 33 | N33504   | 3B20 | 12  | 110 - 17 | N85255   | 3E10 | 9   | 120 - 25 |
| N275254  | 3E17 | 7   | 120 - 33 | N33504   | 3B22 | 12  | 110 - 19 | N85299   | 2E24 | 23  | 70 - 67  |
| N275798  | 2G24 | 27  | 90 - 3   | N33504   | 3C23 | 7   | 110 - 44 | N85299   | 2E25 | 27  | 70 - 68  |
| N275798  | 3B12 | 18  | 110 - 9  | N33504   | 3C24 | 4   | 110 - 45 | N85301   | 2E24 | 21  | 70 - 67  |
| N275798  | 3B14 | 15  | 110 - 11 | N33504   | 3C25 | 2   | 110 - 46 | N85301   | 2E25 | 25  | 70 - 68  |
| N277078  | 3E19 | 11  | 120 - 35 | N33504   | 3I14 | 3   | 160 - 19 | N85588   | 3G13 | 13  | 140 - 13 |
| N277079  | 3E19 | 11  | 120 - 35 | N33504   | 3I16 | 3   | 160 - 21 | N85588   | 3G15 | 13  | 140 - 15 |
| N277257  | 2F23 | 3   | 80 - 11  | N33811   | 3F2  | 6   | 120 - 43 | N85632   | 2B9  | 13  | 60 - 9   |
| N278037  | 3E17 | 9   | 120 - 33 | N34164   | 3E12 | 22  | 120 - 27 | N85632   | 2D19 | 22  | 70 - 37  |
| N278076  | 2H9  | 7   | 90 - 12  | N34164   | 3E23 | 6   | 120 - 39 | P42285   | 3E12 | 3   | 120 - 27 |
| N278403  | 3B6  | 27  | 110 - 3  | N34164   | 3E25 | 15  | 120 - 41 | P43026   | 3E23 | 8   | 120 - 39 |
| N278403  | 3B6  | 28  | 110 - 3  | N34274   | 3B20 | 10  | 110 - 17 | P43660   | 2I3  | 12  | 90 - 33  |
| N278403  | 3B6  | 31  | 110 - 3  | N34274   | 3B22 | 10  | 110 - 19 | P43893   | 2I5  | 9   | 90 - 35  |

CLICK HERE TO **DOWNLOAD** THE COMPLETE MANUAL

- Thank you very much for reading the preview of the manual.
- You can download the complete manual from: [www.heydownloads.com](http://www.heydownloads.com) by clicking the link below



- Please note: If there is no response to CLICKING the link, please download this PDF first and then click on it.

CLICK HERE TO **DOWNLOAD** THE COMPLETE MANUAL