

**8130, 8230, 8330, 8430
and 8530 Tractors**



JOHN DEERE

PARTS CATALOG

**8130, 8230, 8330, 8430
and 8530 Tractors**

PC9451 (APR-06) English

ЧАСТЬ 1

John Deere Waterloo Works

North American Edition

Litho in U.S.A. (Revised)

COPYRIGHT © 2006

DEERE & COMPANY

Moline, Illinois

All rights reserved

CLICK HERE TO **DOWNLOAD** THE COMPLETE MANUAL

- Thank you very much for reading the preview of the manual.
- You can download the complete manual from: www.heydownloads.com by clicking the link below



- Please note: If there is no response to CLICKING the link, please download this PDF first and then click on it.

CLICK HERE TO **DOWNLOAD** THE COMPLETE MANUAL

10-A1A

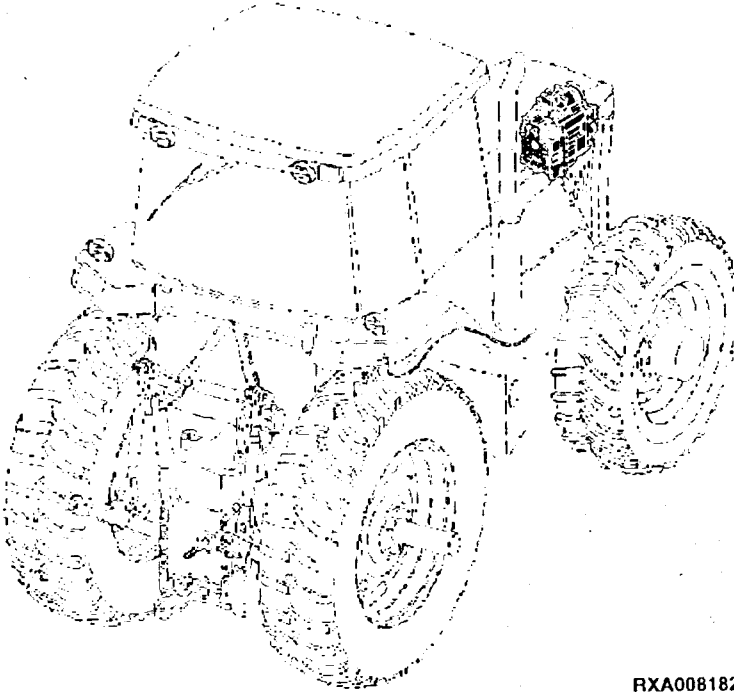
8130, 8230, 8330, 8430, 8530 TRACTORS

PRIMARY INDEX
INDEX PRINCIPAL
HAUPTINDEX
INDICE PRINCIPALE
INDICE DE MATERIAS
HUVUDFORTECKNING

52- A01

RXA0081827 -UN-

52



RXA0081827

10-A1K

8130, 8230, 8330, 8430, 8530 TRACTORS

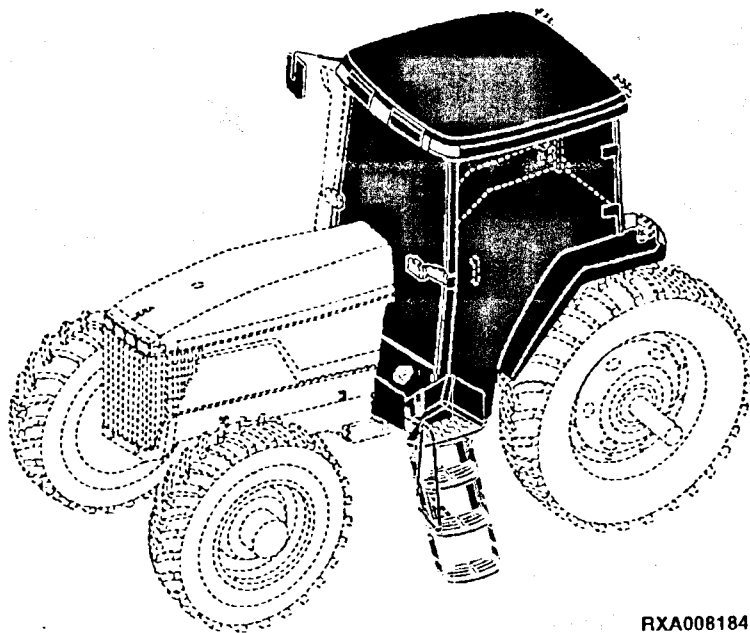
PRIMARY INDEX
INDEX PRINCIPAL
HAUPTINDEX
INDICE PRINCIPALE
INDICE DE MATERIAS
HUVUDFORTECKNING

RXA0081841

-UN-

91- A01
91- A02
91- A03

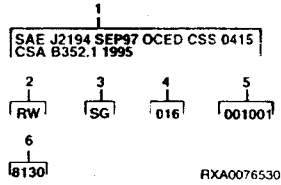
91



RXA0081841

COMFORTVIEW CAB SERIAL NUMBER

RXA0076530 -UN-28JUL04

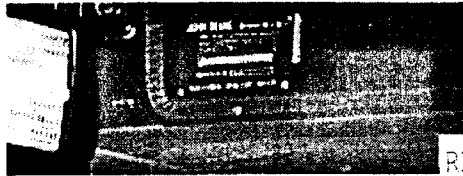


- 1. DESIGNATES CERTIFICATION
- 2. DESIGNATES CAB MANUFACTURER
- 3. DESIGNATES TYPE
- 4. DESIGNATES VERSION
- 5. DESIGNATES SERIAL NUMBER
- 6. DESIGNATES MODEL

CERTIFICATION DATA
 RW - JOHN DEERE WATERLOO WORKS
 SG - COMFORTVIEW CAB
 016 - SIXTEENTH

8130, 8230, 8330, 8430 OR 8530

RXP020904 UN-01JAN94



RXP020904

THE COMFORTVIEW CAB SERIAL NUMBER PLATE IS LOCATED ON THE RIGHT-HAND SIDE WINDOW AT THE FENDER LEVEL TOWARD THE REAR.

ALPHABETICAL INDEX - CONTINUED

	PAGE		PAGE
CARRIER DRIVE GEAR (IVT).....	52-16	CLUTCH (MFWD)	
CARRIER, PLANET PINION (ILS)		(8130, 8230, 8330).....	51-34
(8130, 8230, 8330).....	55-30	CLUTCH (MFWD) (8430).....	51-36
CARRIER, PLANET PINION (ILS)		CLUTCH ASSEMBLY (IVT).....	52-20
(8430, 8530).....	55-32	CLUTCH CABLE.....	51-2
CARRIER, PLANET PINION (IVT).....	52-27	CLUTCH COVER (MFWD)	
CARRIER, PLANET PINION (IVT).....	52-29	(8130, 8230, 8330).....	51-34
CARRIER, PLANET PINION (IVT).....	52-31	CLUTCH COVER (MFWD) (8430).....	51-36
CARRIER, PLANET PINION (MFWD)		CLUTCH DISENGAGED SWITCH.....	51-10
(8130, 8230, 8330).....	54-14	CLUTCH DRUM (ILS).....	55-6
CARRIER, PLANET PINION (MFWD) (8430).....	54-16	CLUTCH DRUM (MFWD)	
CARRIER, PLANET PINION (8130)		(8130, 8230, 8330).....	51-34
(100MM).....	53-14	CLUTCH DRUM (MFWD) (8430).....	51-36
CARRIER, PLANET PINION (8130,8230,8330)		CLUTCH DRUM, PTO.....	53-6
(110MM).....	53-16	CLUTCH DRUM, PTO (8130, 8230).....	53-4
CARRIER, PLANET PINION (8130,8230,8330)		CLUTCH HUB, PTO.....	53-6
(120MM).....	53-18	CLUTCH HUB, PTO (8130, 8230).....	53-4
CARRIER, PLANET PINION (8430,8530)		CLUTCH PEDAL.....	51-2
(120MM).....	53-20	CLUTCH UNIT IDLER SHAFT (IVT).....	52-30
CARTRIDGES, CONTROL VALVE MANIFOLD		CLUTCH VALVE ARM.....	51-12
(ILS).....	55-50	CLUTCH VALVE KIT.....	51-12
CARTRIDGES, MANIFOLD (ILS).....	55-52	CLUTCH, PTO.....	53-6
CARTRIDGES, MANIFOLD (ILS)		CLUTCH, PTO (8130, 8230).....	53-4
(50K/IVT/EV).....	55-44	CLUTCH, STARTING MOTOR.....	43-2
CASE DRAIN COUPLER KIT, FLUSH FACE.....	70-108	COIL, MANIFOLD SOLENOID VALVE (ILS).....	55-42
CASE, DIFFERENTIAL (ILS).....	55-8	COIL, MANIFOLD SOLENOID VALVE (ILS)	
CASE, DIFFERENTIAL (MFWD)		(50K/IVT/EV).....	55-44
(8130, 8230, 8330).....	54-6	COLD WEATHER START BRACKET.....	41-14
CASE, DIFFERENTIAL (MFWD) (8430).....	54-8	COLD WEATHER START HEATER.....	41-14
CASE, DIFFERENTIAL (REAR).....	53-10	COLD WEATHER START KIT.....	41-14
CASE, TRANSMISSION		COLD WEATHER START WIRING HARNESS.....	41-14
(8130, 8230, 8330).....	51-38	COLD WEATHER STARTING AID.....	20-42
CASE, TRANSMISSION (ILS).....	55-2	COLD WEATHER STARTING AID.....	35-10
CASE, TRANSMISSION (8430).....	51-40	COLUMN, STEERING.....	60-2
CAST AND HEAVY CAST REAR WHEEL WEIGHTS.....	80-43	COMPLETE SEAT (ACTIVE W/TIP-UP ARM).....	92-1
CAST REAR WHEELS (HEAVY DUTY)		COMPLETE SEAT (AIR SEAT).....	92-1
(8130, 8230, 8330).....	80-26	COMPRESSOR BELT.....	25-16
CAST REAR WHEELS (HEAVY DUTY)		COMPRESSOR CLUTCH.....	90-4
(8430, 8530).....	80-28	COMPRESSOR DUST COVER.....	90-4
CAST REAR WHEELS (NAV)		COMPRESSOR HARDWARE KIT.....	90-3
(8130, 8230, 8330).....	80-24	COMPRESSOR, A/C.....	90-1
CAST REAR WHEELS, HUB (HEAVY DUTY)		COMPRESSOR, AIR BRAKE AIR.....	60-68
(8130, 8230, 8330).....	80-26	CONDENSER.....	25-4
CAST REAR WHEELS, HUB (HEAVY DUTY)		CONDENSER, FUEL COOLER.....	35-12
(8430, 8530).....	80-28	CONDUIT.....	40-10
CENTER LINK (EUROPEAN VERSION).....	70-60	CONNECTING ROD.....	20-48
CENTER LINK (NORTH AMERICAN VERSION).....	70-58	CONNECTING ROD BEARINGS.....	20-48
CHAIN, IMPLEMENT SAFETY.....	70-82	CONNECTING RODS AND PISTON.....	20-48
CHASSIS WIRING HARNESS (AUTOTRAC).....	93-10	CONNECTOR, BLOWER SWITCH.....	40-9
CHECK VALVE KIT, BRAKE MAKE-UP.....	60-36	CONNECTOR, ELECTRICAL.....	40-8
CHECK VALVE, CONTROL VALVE		CONNECTOR, METRI-PACK.....	40-6
(ACTIVE SEAT).....	92-16	CONNECTOR, NINE-PIN IMPLEMENT FEEDBACK.....	41-16
CHOCK BLOCK HOLDER.....	80-68	CONNECTOR, REAR WINDSHIELD WIPE R.....	40-9
CIGAR LIGHTER.....	42-28	CONNECTOR, START SWITCH.....	40-9
CIRCUIT BOARD COVER (ARMREST)(PST).....	42-34	CONNECTOR, WEATHERPACK.....	40-2
CLAMP, HALF, ROTARY BEACON LIGHT.....	42-66	CONNECTORS, METRI-PACK.....	40-4
CLAMP, HEATER HOSE.....	90-8	CONSOLE CONTROLS.....	42-28
CLAMP, ROCKER ARM SHAFT.....	20-50	CONSOLE LIGHT (EUROPEAN VERSION).....	42-6
CLEVIS, DRAWBAR (EUROPEAN VERSION).....	70-80	CONSOLE LIGHT HOUSING.....	42-69
CLEVIS, DRAWBAR(NORTH AMERICAN VERSION)		CONSOLE WIRING HARNESS.....	42-27
(CATEGORY IV) (8430, 8530).....	70-78	CONSOLE, RIGHT-HAND.....	91-12
CLEVIS, DRAWBAR(NORTH AMERICAN VERSION)		CONTROL ARM, LOWER (ILS).....	55-36
(8130, 8230, 8330).....	70-76	CONTROL ARM, UPPER (ILS).....	55-34
CLOCK (EUROPEAN VERSION).....	42-28	CONTROL CONSOLE.....	91-12
CLOTH BACKREST, SEAT.....	92-2	CONTROL LEVER, SINGLE.....	42-48
CLOTH SEAT CUSHION.....	92-2	CONTROL VALVE ACCUMULATOR	
CLUTCH (ILS).....	55-6	(ACTIVE SEAT).....	92-16

ALPHABETICAL INDEX - CONTINUED

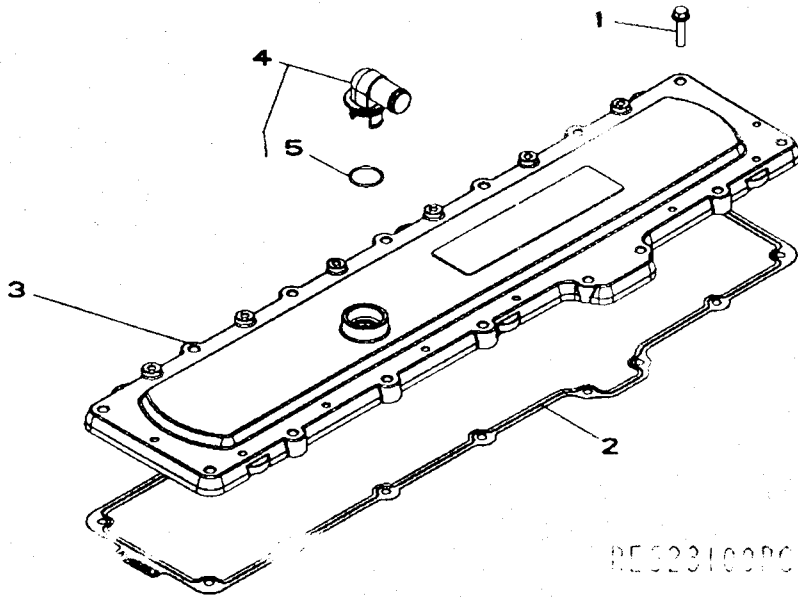
	PAGE		PAGE
MIRROR KIT, OUTER (NORTH AMERICAN ONLY).....	91-20	OIL LINES, TURBOCHARGER (HRW01) 8130 MFWD AND 8130 2 WD.....	20-62
MIRROR, REAR VIEW.....	91-16	OIL LINES, TURBOCHARGER (HRW02) 8230MFWD AND 8330 MFWD.....	20-64
MIRROR, REMOTE POWER.....	91-22	OIL LINES, TURBOCHARGER (HRW04) 8430 MFWD.....	20-66
MOBILE RADIO ANTENNA CABLE.....	42-58	OIL LINES, TURBOCHARGER (HRW05) 8130 ILS.....	20-68
MOBILE RADIO BRACKET.....	42-58	OIL LINES, TURBOCHARGER (HRW06) 8230 ILS & 8330 ILS.....	20-70
MOBILE RADIO WIRING HARNESS.....	42-58	OIL LINES, TURBOCHARGER (HRW08) 8430 ILS & 8530 ILS.....	20-72
MODULE (ATC).....	42-14	OIL LINES, UPPER (AUTOTRAC).....	93-4
MODULE, ATC CONTROLLER.....	90-16	OIL PRESSURE SENSOR, TRANSMISSION.....	51-10
MOLDING, FRONT GLASS.....	91-28	OIL PRESSURE SENSOR, TRANSMISSION (ILS).....	55-12
MOTOR BLOWER, DRIVER.....	90-16	OIL PUMP.....	20-52
MOTOR RETURN KIT, MULTIPLE HYDRAULIC.....	70-110	OIL PUMP INTAKE (HRW01) 8130MFWD & 8130 2WD.....	20-20
MOTOR, BLOWER.....	90-11	OIL PUMP INTAKE (HRW02) 8230MFWD & 8330MFWD.....	20-22
MOTOR, HEATER AND A/C BLOWER.....	90-14	OIL PUMP INTAKE (HRW04) 8430MFWD.....	20-24
MOTOR, HEATER AND A/C BLOWER (ATC).....	90-16	OIL PUMP INTAKE (HRW05,HRW06,HRW08) ILS TRACTORS.....	20-26
MOTOR, STARTING.....	43-2	OIL, TRANSMISSION AND HYDRAULIC.....	70-1
MOUNTING BRACKET, VALVE (AUTOTRAC).....	93-12	OPERATOR PRESENCE SWITCH.....	92-4
MOUNTING PARTS, HITCH VALVE.....	70-104	OPERATOR PRESENCE SWITCH (SEAT).....	42-21
MOUNTING, STEERING FLOWMETER (AUTOTRAC).....	93-4	OPTIONAL EH CONTROLLER.....	42-11
MOUNTS, CAB.....	91-2	OPTIONAL EH CONTROLLER WIRING HARNESS.....	42-11
MUD FLAP, REAR FENDER FRONT LOWER.....	91-46	ORIFICE, PISTON COOLING.....	20-44
MUFFLER.....	35-8	OUTER EXTENSION (ILS DUALS).....	80-20
MUFFLER, EXHAUST.....	35-8	OUTER MIRROR KIT (NORTH AMERICAN ONLY).....	91-20
MULTI POSITION DUALS (8130, 8230, 8330).....	80-36	OUTER ROOF.....	91-42
MULTI POSITION DUALS (HEAVY DUTY) (8130, 8230, 8330).....	80-38	OUTLET SOCKET, ROTARY BEACON LIGHT.....	42-66
MULTI POSITION DUALS (HEAVY DUTY) (8430, 8530).....	80-40	OUTPUT DRIVESHAFT, TRANSMISSION (8130, 8230, 8330).....	51-42
MULTI POSITION DUALS, HEAVY DUTY HUB) (8130, 8230, 8330).....	80-38	OUTPUT DRIVESHAFT, TRANSMISSION (8430).....	51-44
MULTIPLE HYDRAULIC MOTOR RETURN KIT.....	70-110	OUTPUT GEAR, DIFFERENTIAL DRIVE SHAFT (ILS).....	55-8
N			
NEUTRAL START SWITCH.....	42-35	OUTPUT SHAFT.....	51-28
NINE-PIN IMPLEMENT FEEDBACK CONNECTOR.....	41-16	OUTPUT SHAFT.....	51-30
NOZZLE AND PUMP SEAL KIT (HRW01) 8130MFWD & 8130 2WD.....	20-6	OUTPUT SHAFT ADAPTER, PTO (1 3/8" PTO).....	53-31
NOZZLE AND PUMP SEAL KIT (HRW05) 8130 ILS.....	20-12	OUTPUT SHAFT COUPLER, DIFFERENTIAL.....	53-8
O			
O-RING KIT.....	70-118	OUTPUT SHAFT DRUM.....	51-28
O-RING KIT, FRONT HITCH VALVE.....	72-11	OUTPUT SHAFT DRUM.....	51-30
O-RING, MANIFOLD REAR (ILS).....	55-49	OUTPUT SHAFT GEAR.....	51-28
O-RINGS, CONTROL VALVE MANIFOLD REAR (ILS).....	55-49	OUTPUT SHAFT GEAR.....	51-30
OIL COOLER, ENGINE.....	20-58	OUTPUT SHAFT, PTO (OPTIONAL PTO) (1 3/4" SHAFT) (1000 RPM).....	53-26
OIL COOLER, HYDRAULIC.....	25-4	OUTPUT SHAFT, PTO (OPTIONAL PTO) (1 3/8" SHAFT) (540/1000 RPM).....	53-28
OIL COOLER, HYDRAULIC.....	70-31	OUTPUT SHAFT, PTO (STANDARD) (1 3/4" SHAFT) (1000 RPM).....	53-24
OIL DIPSTICK (ALL) NO 8430 MFWD.....	20-40	OUTPUT SHAFT, TRANSMISSION (ILS).....	55-6
OIL DIPSTICK (HRW04) 8430 MFWD ONLY.....	20-41	OUTPUT YOKE, DIFFERENTIAL (L.H.) (ILS).....	55-24
OIL DISPLACEMENT TANKS (ILS).....	55-14	OUTPUT YOKE, DIFFERENTIAL (L.H.) (ILS) (W/ BRAKES) (50K/IVT/ILS).....	55-26
OIL EVACUATION HOUSING (ILS).....	55-12	OUTPUT YOKE, DIFFERENTIAL (R.H.) (ILS).....	55-20
OIL FILTER.....	20-58	OUTPUT YOKE, DIFFERENTIAL (R.H.) (ILS) (W/ BRAKES) (50K/IVT/EV).....	55-22
OIL FILTER, CONTROL VALVE (ACTIVE SEAT SUSPENSION).....	92-16	OVERHAUL KIT, BRAKE VALVE.....	60-32
OIL FILTER, HYDRAULIC.....	70-29		
OIL LINE, GROUND DRIVEN PUMP (ILS).....	55-2		
OIL LINES, DIFFERENTIAL LOCK (ILS/IVT/50K/EV).....	55-18		
OIL LINES, HYDRAULIC TRAILER BRAKE VALVE.....	60-54		
OIL LINES, IMPLEMENT HYDRAULIC.....	70-116		

ALPHABETICAL INDEX - CONTINUED

	PAGE		PAGE
WIRING HARNESS, ENGINE AND CHASSIS	41-6		
WIRING HARNESS, ENGINE AND CHASSIS	42-18		
WIRING HARNESS, EXTREMITY WARNING LAMP	44-14		
WIRING HARNESS, EXTREMITY WARNING LAMP, 2.85M REGII.....	44-16		
WIRING HARNESS, EXTREMITY WARNING LIGHTS (8130-8330)(NORTH AMERICAN VERSION).....	42-2		
WIRING HARNESS, EXTREMITY WARNING LIGHTS (8430,8530)(NORTH AMERICAN VERSION).....	42-4		
WIRING HARNESS, FIELD OFFICE	42-24		
WIRING HARNESS, FRONT HEADLIGHTS (UNITED KINGDOM)	44-6		
WIRING HARNESS, FRONT HITCH	41-21		
WIRING HARNESS, FUEL SENDER	35-14		
WIRING HARNESS, FUSE LINK	42-18		
WIRING HARNESS, GPS RECEIVER GREENSTAR	41-8		
WIRING HARNESS, GPS, GREENSTAR	41-8		
WIRING HARNESS, HEADLIGHTS	41-6		
WIRING HARNESS, HEADLIGHTS (UNITED KINGDOM)	41-6		
WIRING HARNESS, IMPLEMENT SWITCH	41-22		
WIRING HARNESS, LICENSE PLATE LAMP (EUROPEAN VERSION).....	42-71		
WIRING HARNESS, MOBILE RADIO	42-58		
WIRING HARNESS, OPTIONAL EH CONTROLLER	42-11		
WIRING HARNESS, ROOF	42-64		
WIRING HARNESS, ROOF (NORTH AMERICAN VERSION)	44-9		
WIRING HARNESS, ROTARY BEACON LIGHT	42-66		
WIRING HARNESS, SCV	41-4		
WIRING HARNESS, SEAT	42-21		
WIRING HARNESS, SELECTIVE CONTROL LEVERS 1, 2, 3 (ARMREST)	42-40		
WIRING HARNESS, SELECTIVE CONTROL LEVERS 4 AND 5 (ARMREST)	42-42		
WIRING HARNESS, SERVICE ADVISOR	42-28		
WIRING HARNESS, SPEED SENSOR JUMPER (ILS).....	55-8		
WIRING HARNESS, TRANSMISSION	41-2		
WORK LAMP BRACKET (UPPER MID-BODY)	44-1		
WORK LAMP COVER (UPPER MID-BODY)	44-1		
WORK LAMP KIT (UPPER MID-BODY)	44-1		
WORK LAMP, FRONT ROOF	44-2		
WORK LIGHT, REAR FENDER	44-12		
WORK LIGHT, REAR FENDER	44-13		
WORKLAMPS (CAB) (UPPER MID-BODY)	44-1		
Y			
YOKE, DIFFERENTIAL OUTPUT (L.H.) (ILS).....	55-24		
YOKE, DIFFERENTIAL OUTPUT (L.H.) (ILS) (W/ BRAKES) (50K/IVT/ILS)	55-26		
YOKE, DIFFERENTIAL OUTPUT (R.H.) (ILS)	55-20		
YOKE, DIFFERENTIAL OUTPUT (R.H.) (ILS) (W/ BRAKES) (50K/IVT/EV)	55-22		

1102 (ROCKER ARM COVER)
 1102 (CACHE-CULBUTEURS)
 1102 (ZYLINDERKOPFDECKEL)
 1102 (COPERCHIO BILANCIERI)
 1102 (TAPA DE BALANCINES)
 1102 (VENTILKAAPA)

RE523109PCDC01 -UN-10JAN06



RE523109PCDC01

KEY	PART NO	PART NAME	QTY.	ENGINE SERIAL NO.	A L L	REMARKS
1	19M8291	SCREW	15		X	M8 X 35
2	R518263	GASKET	1		X	
3	RE529972	COVER	1		X	
4	RE529871	ELBOW FITTING	1		X	
5	T122075	O-RING	1		X	

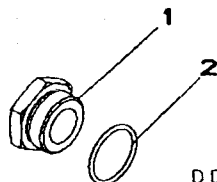
KEY	PART NO.	PART NAME	QTY	ENGINE SERIAL NO.	H R W O G 4	REMARKS
1	RE522672	WIRING HARNESS	1		X	
2	R520441	ELEC. CONNECTOR ACCESSORY	1		X	
3	RE525513	FUEL LINE	1		X	
4	RE525514	FUEL LINE	1		X	
5	RE525515	FUEL LINE	1		X	
6	RE525516	FUEL LINE	1		X	
7	RE525517	FUEL LINE	1		X	
8	RE525518	FUEL LINE	1		X	
9	RE506624	ADAPTER FITTING	2		X	
10	RE520032	LINE	1		X	
11	RE521599	RAIL	1		X	
12	RE515636	RESTRICTOR	6		X	
13	RE524529	PRESSURE RELIEF VALVE	1		X	
14	RE523811	SENSOR	1		X	
15	RE524399	ADAPTER FITTING	1		X	
16	T77613	O-RING	1		X	
17	51M7039	O-RING	1		X	8.100 X 1.600 MM
18	RE519597	FUEL PUMP	1		X	
19	RE516336	FUEL TEMPERATURE SENSOR	1		X	
20	R524234		1		X	
21	RE524528	KIT	1		X	
22	R91360	NUT	1		X	
23	R518254	GEAR	1		X	
24	R521040	O-RING	1		X	
25	RE520030	FUEL LINE	1		X	
26	61M5002	ADAPTER FITTING	1		X	
27	51M7041	O-RING	1		X	
28	38H5002	ADAPTER FITTING	1		X	
29	T77613	O-RING	1		X	
30	24M7095	WASHER	1		X	8.400 X 15 X 1.600 MM
31	19M8274	SCREW	1		X	M8 X 35
32	19M7868	SCREW	2		X	M8 X 30
33	19M7815	SCREW	4		X	
34	KIT	1		X	RE528407
35	R63548	O-RING	6		X	
36	RE521635	FITTING	6		X	
37	R518871	TUBE NUT	6		X	
38	R131051	WASHER	6		X	
39	R505452	O-RING	6		X	
40	R518345	CLAMP	6		X	
41	R522416		6		X	
42	R504781	CAP SCREW	6		X	
43	RE525519	CLAMP	2		X	
44	RE527756	SCREW WITH WASHER	1		X	
45	RE524730	CAP SCREW	3		X	

20-21

ENGINE

KEY	PART NO.	PART NAME	QTY.	ENGINE SERIAL NO.	H R W O 1	REMARKS
1	19M9399	CAP SCREW	3		X	M10 X 60
2	R520844	GASKET	1		X	
3	ET14521	BUSHING	4		X	
4	19M8292	SCREW	4		X	
5	19M7815	SCREW	6		X	
6	19M7820	SCREW	4		X	M12 X 100
7	19M7840	SCREW	8		X	
8	R84262	FITTING PLUG	1		X	
9	F3171R	O-RING	1		X	
10	19M8526	SCREW	2		X	
11	RE222026	FRAME	1		X	FURNISH (2) R119654 FOR 8020 SERIES AND (4) R119654 FOR 8030 SERIES
12	R119654	DOWEL PIN	4		X	
13	R100569	GASKET	1		X	
14	RE520585	OIL PUMP INTAKE	1		X	

2699 (ENGINE COOLANT HEATER)
 2699 (RECHAUFFEUR DU LIQUIDE DE REFROIDISSEMENT)
 2699 (KUEHLWASSER-VORWAERMER)
 2699 (RISCALDATORE REFRIGERANTE)
 2699 (DISPOSITIVO PARA EL CALENTAMIENTO DEL LIQUIDO REFRIGERANTE)
 2699 (KYLVATSKEVARMARE)
 RE523130PCDA01 -UN-01FEB05



RE523130PCDA01

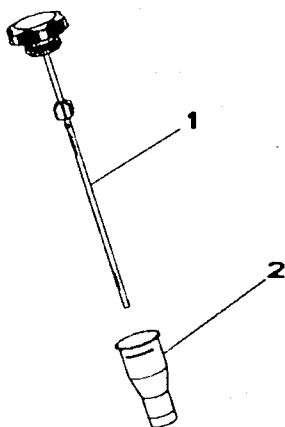
KEY	PART NO.	PART NAME	QTY.	ENGINE SERIAL NO.	H R W 0 1	REMARKS
1	R39741	DRAIN PLUG	1		X	
2	U13639	O-RING	1		X	

20-40

ENGINE

4015 (ENGINE OIL DIPSTICK TUBE) (ALL) (NO 8430 MFWD)
 4015 (JAUGE A HUILE MOTEUR)
 4015 (MOTOROELMESSSTAB)
 4015 (ASTINA DE LIVELLO OLIO MOTORE)
 4015 (ASPILLA PARA MEDIR EL NIVEL DE ACEITE DEL MOTOR)
 4015 (MOTORNS OLJETICKA)

RE526502PCDA01 UN-04JAN05



RE526502PCDA01 3 ———— 3

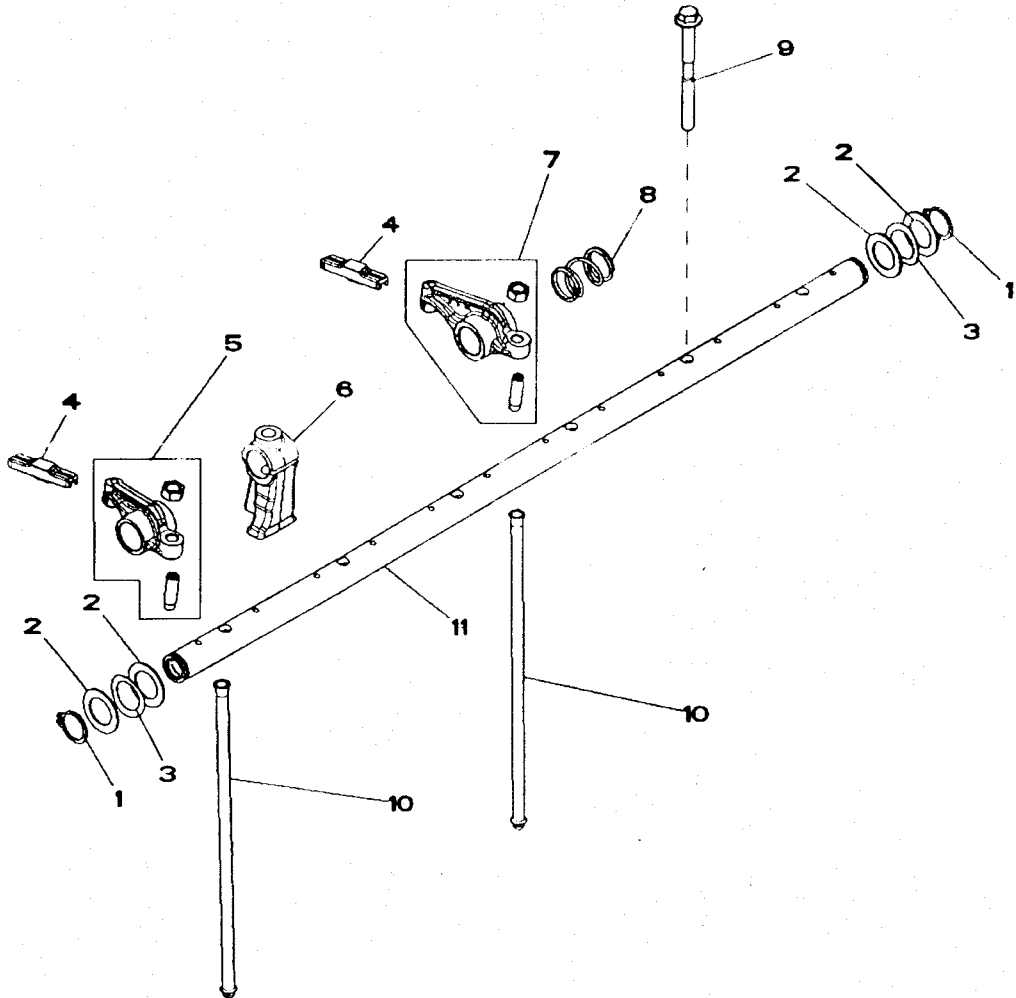
KEY	PART NO.	PART NAME	QTY.	ENGINE SERIAL NO.	A L L	REMARKS
1	RE500209	DIPSTICK	1		X	
2	R121764	DIPSTICK TUBE	1		X	
3	T35390	PLUG	1		X	

20-50

ENGINE

4901 (VALVE ACTUATING MECHANISM)
4901 (CULBUTEUR / ARBRE / POUSSOIR DE SOUPE / TIGE)
4901 (KIPPEBEL / WELLE / VENTILSTOESSEL / STOESSELSTANGE)
4901 (TERGICRISTALLO / ALBERO / CEDENTE / ASTINA PUNTERIE)
4901 (BALANCIN / ARBOL / BOTADOR / VARILLA DE EMPUJE)
4901 (VIPPARM / AXEL / KAMFOELJARE / STOETSTAANG)

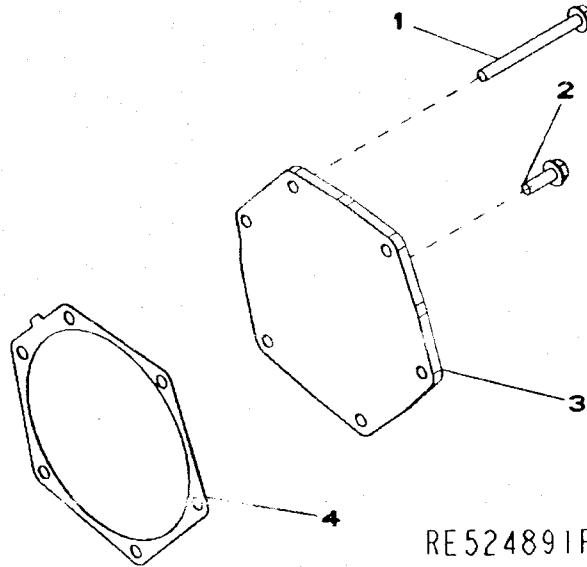
RE523132PCDB01 -UN-08FEB06



RE523132PCDB01

6293 (ALTERNATOR MOUNTING)
 6293 (SUPPORT DE L'ALTERNATEUR)
 6293 (HALTER FUER DREHSTROMGENERATOR)
 6293 (COMANDO AUSILIARIO)
 6293 (SOPORTE DEL ALTERNADOR)
 6293 (FAESTE FOER VAEXELSTROEMSGENERATOR)

RE524891PCDA01 -UN-04JAN05

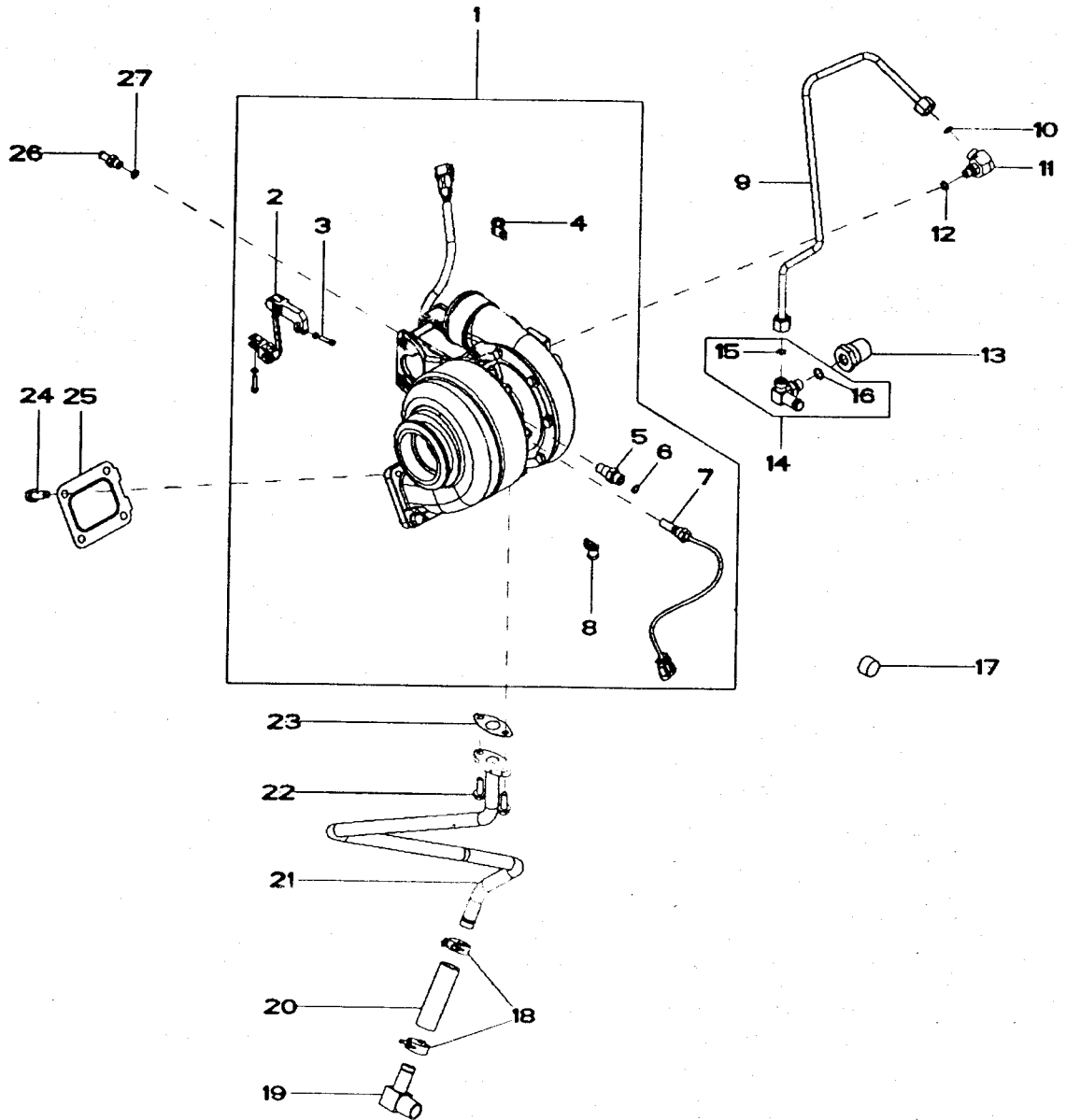


RE524891PCDA01

KEY	PART NO.	PART NAME	QTY.	ENGINE SERIAL NO.	A L L	REMARKS
1	19M7913	SCREW	5		X	M8 X 90
2	19M7867	SCREW	1		X	M8 X 25
3	R520135	COVER	1		X	
4	R502011	GASKET	1		X	

6512 (TURBOCHARGER) 8230 ILS & 8330 ILS
6512 (TURBOCOMPRESSEUR)
6512 (TURBOLADER)
6512 (TURBO-SOVRALIMENTATORE)
6512 (TURBOCARGADOR)
6512 (TURBOAGGREGAT)

RE524927PCDC01 -UN-03MAR06



RE524927PCDC01

25-A02

FAN AND RADIATOR

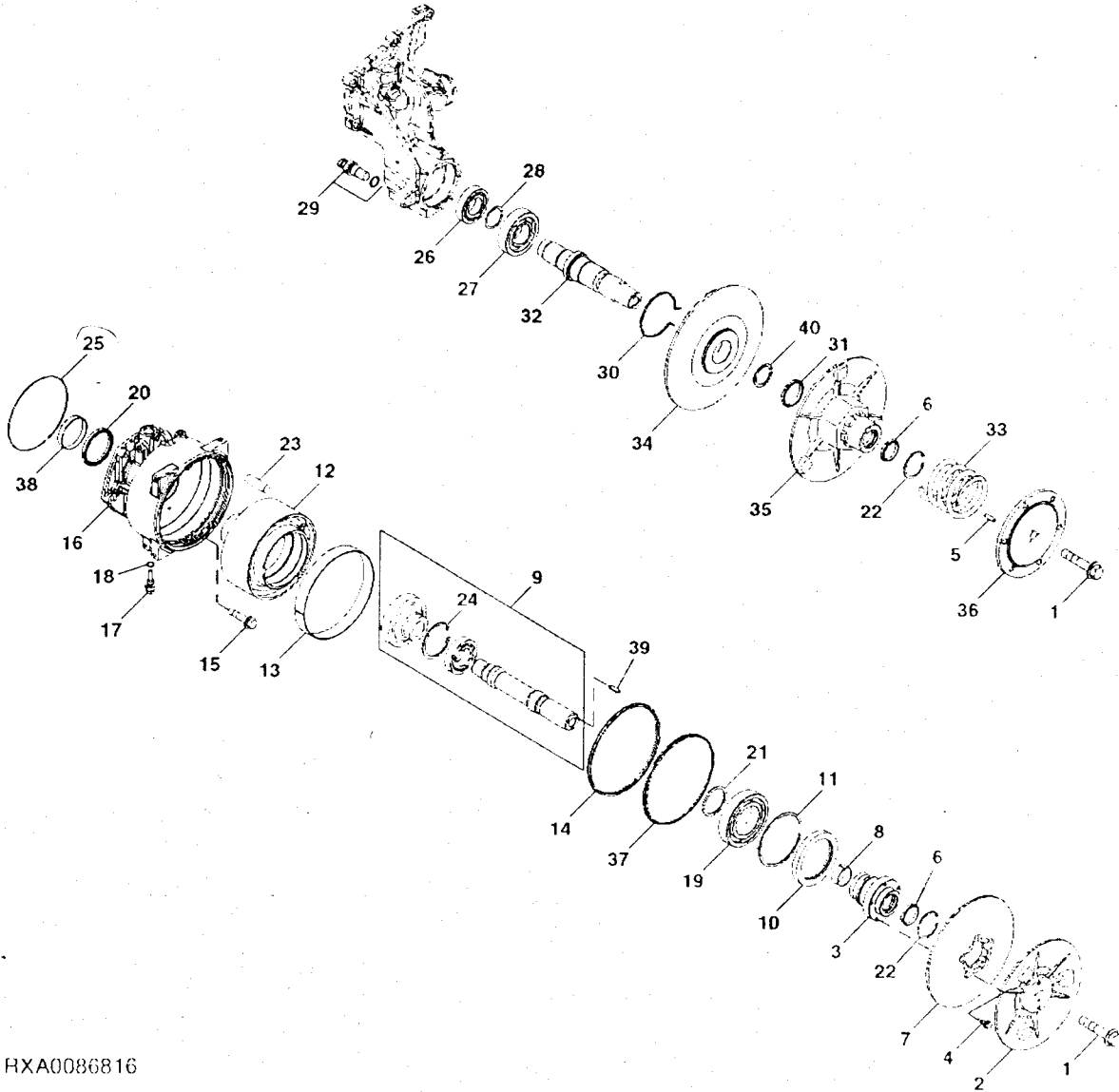
MEMORANDA
MEMORANDA
MEMORANDA
MEMORANDA
MEMORANDA

25-10

FAN AND RADIATOR

VARIABLE SPEED FAN DRIVE
ENTRAINEMENT DE VENTILATEUR A VITESSE VARIABLE
GEBLAESEANTRIEB MIT VARIABLER DREHZAHL
COMANDO VENTOLA A VELOCITA' VARIABILE
MANDO DE VENTILADOR DE VELOCIDAD VARIABLE
FLAEKTDREV MED VARIABEL HASTIGHET

RXA0086816 -UN-15FEB06

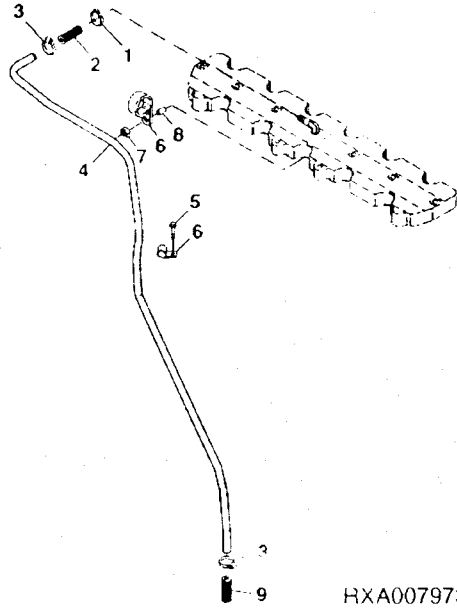


RXA0086816

THIS PARTS LISTING IS CONTINUED

ENGINE VENTILATOR TUBE
 TUBE D'AERATION DU MOTEUR
 MOTORENTLUEFTUNGSROHR
 TUBO DI VENTILAZIONE MOTORE
 TUBO DE VENTILACION DEL MOTOR
 VENTILATIONSROER FOER MOTOR

RXA0079736 -UN-28JUL05

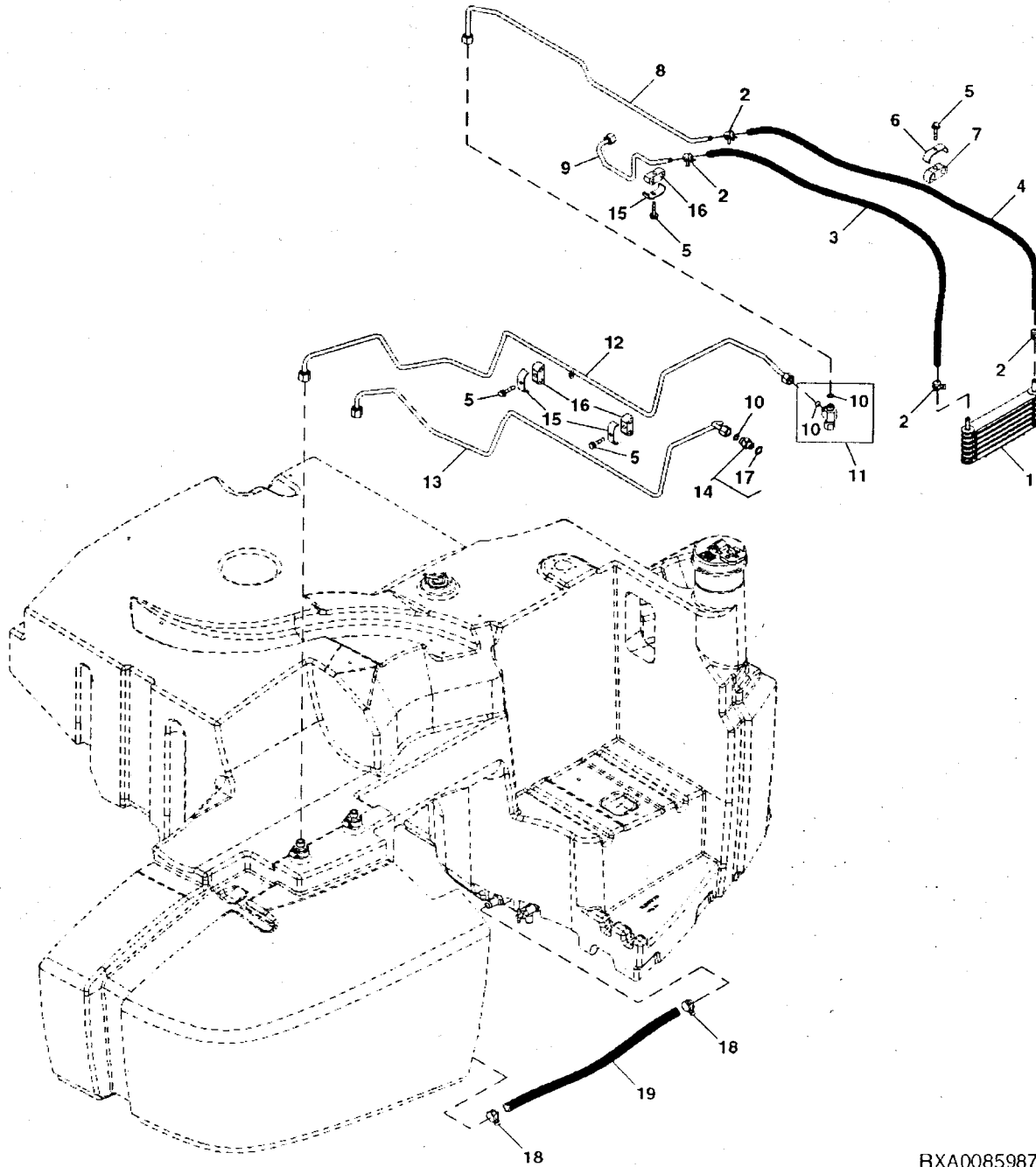


HXA0079736

KEY	PART NO.	PART NAME	QTY.	TRACTOR SERIAL NO	A	REMARKS
					L	
1	R196590	HOSE CLAMP	1		X	
2	R243521	HOSE	1		X	(SUB R257332)
3	LVU13421	CLAMP	2		X	(SUB R132609)
4	R243520	LINE	1		X	(SUB R257305)
5	19M7864	SCREW	1		X	M8 X 12
6	T27523	CLAMP	2		X	
7	14M7298	FLANGE NUT	1		X	M8
8	28H3392	WASHER	1		X	0.364" X 0.540" X 5/16"
9	R243522	HOSE	1		X	(SUB R257306)

FUEL COOLER/FUEL LINES
REFROIDISSEUR DE CARBURANT/TUYAUX D'INJECTION
KRAFTSTOFFKUEHLER/KRAFTSTOFFLEITUNGEN
RADIATORE DEL CARBURANTE/TUBAZIONI COMBUSTIBILE
ENFRIADOR DE COMBUSTIBLE/TUBERIAS DE COMBUSTIBLE
BRAENSLEKYLARE/BRAENSLEEDNINGAR

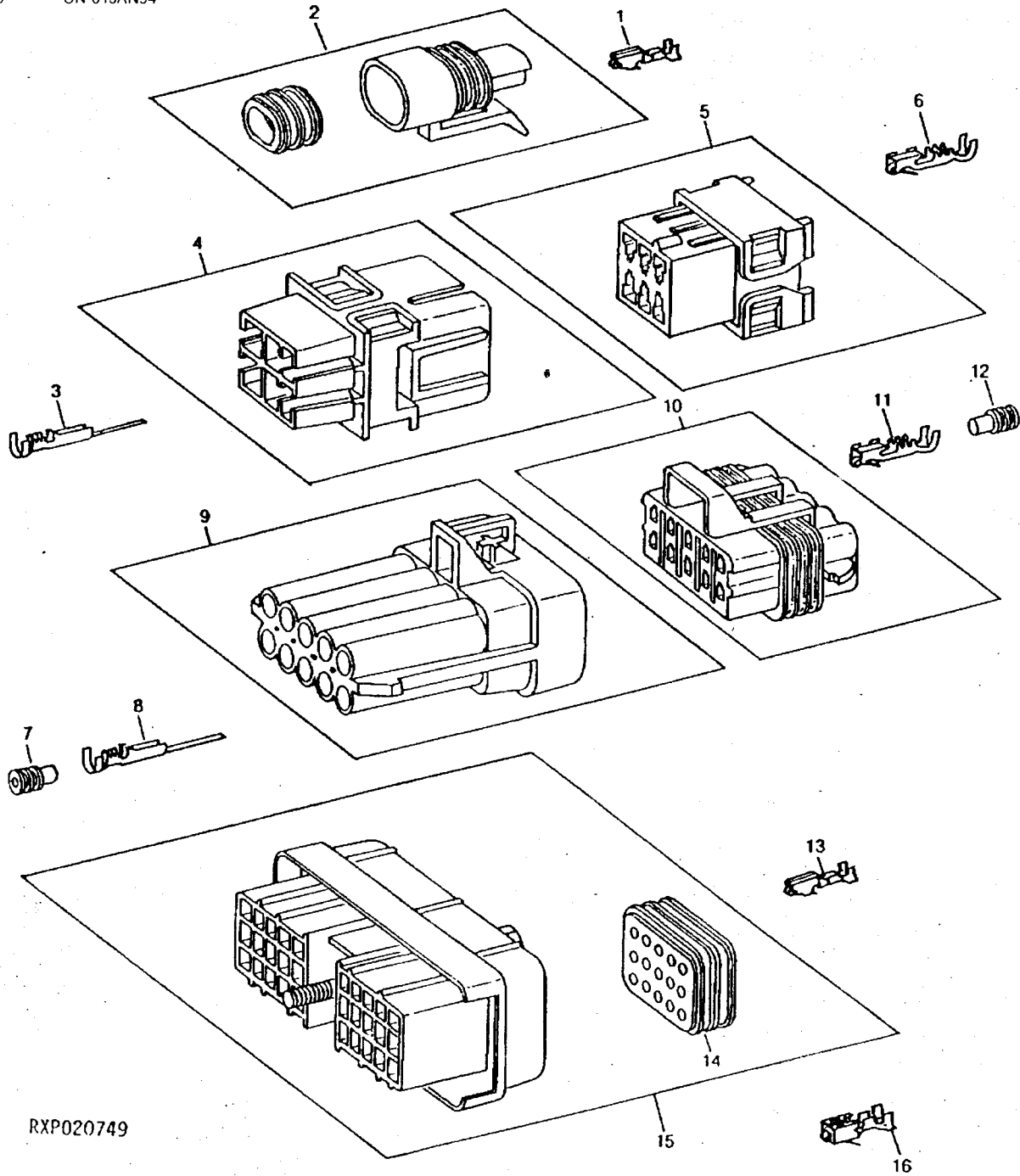
RXA0085987 -UN-23JAN06



RXA0085987

METRI-PACK TERMINAL AND CONNECTORS
 COSSES ET CONNECTEURS METRI-PACK
 METRI-PACKANSCHLUSSE UND VERBINDER
 MORSETTI METRI-PACK E COLLEGAMENTI ELETTRICI
 TERMINALES Y CONECTORES METRI-PACK
 METRI-PACK ANSLUTNINGSDON OCH KONTAKTER

RXP020749 -UN-01JAN94



RXP020749

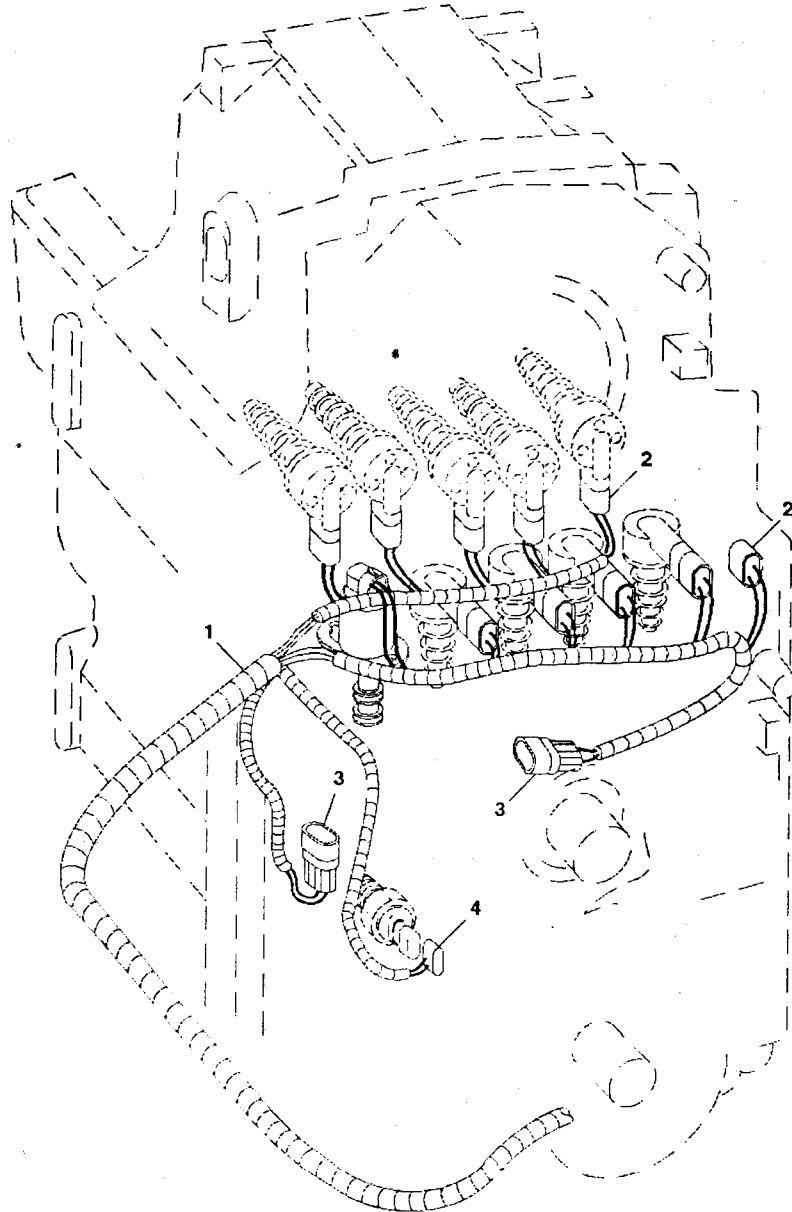
THIS PARTS LISTING IS CONTINUED

41-2

ENGINE AND CHASSIS WIRING HARNESS

WIRING HARNESS (TRANSMISSION)
FAISCEAU DE CABLES (BOITE DE VITESSES)
KABELBAUM (GETRIEBE)
CABLAGGIO (TRASMISSIONE)
GRUPO DE CABLES (TRANSMISION)
KABELHAERVA (KRAFTOEVERFOERING)

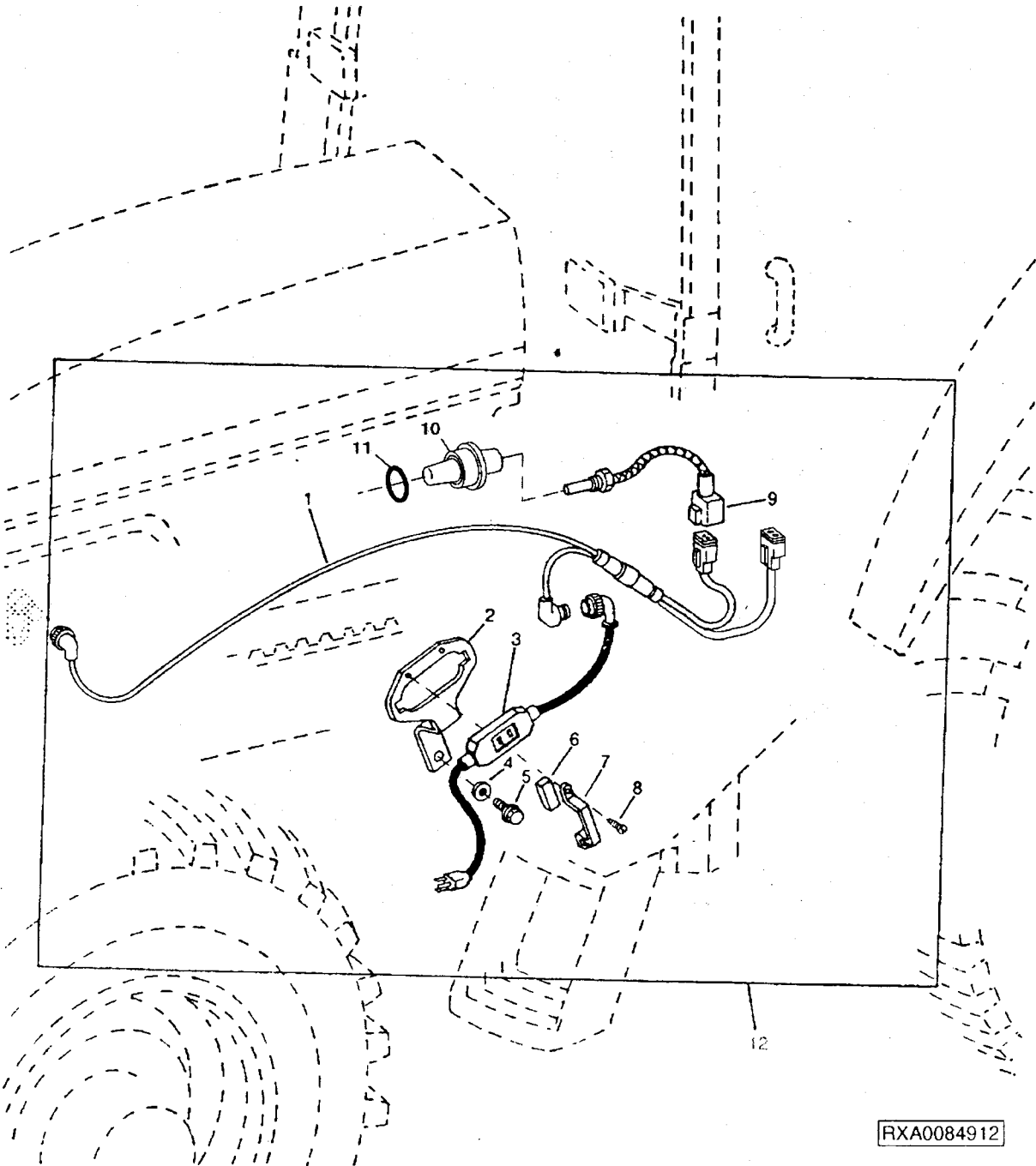
RXA0081630 -UN-20JUN05



RXA0081630

COLD WEATHER START KIT
JEU D'AIDE AU DEMARRAGE PAR TEMPS FROID
KALTSTART-BAUSATZ
KIT AVVIAMENTO PER LA STAGIONE FREDDA
CONJUNTO DE ARRANQUE PARA TIEMPO FRIJO
SATS FOER START I KALLT VAEDER

RXA0084912 -UN-09NOV05

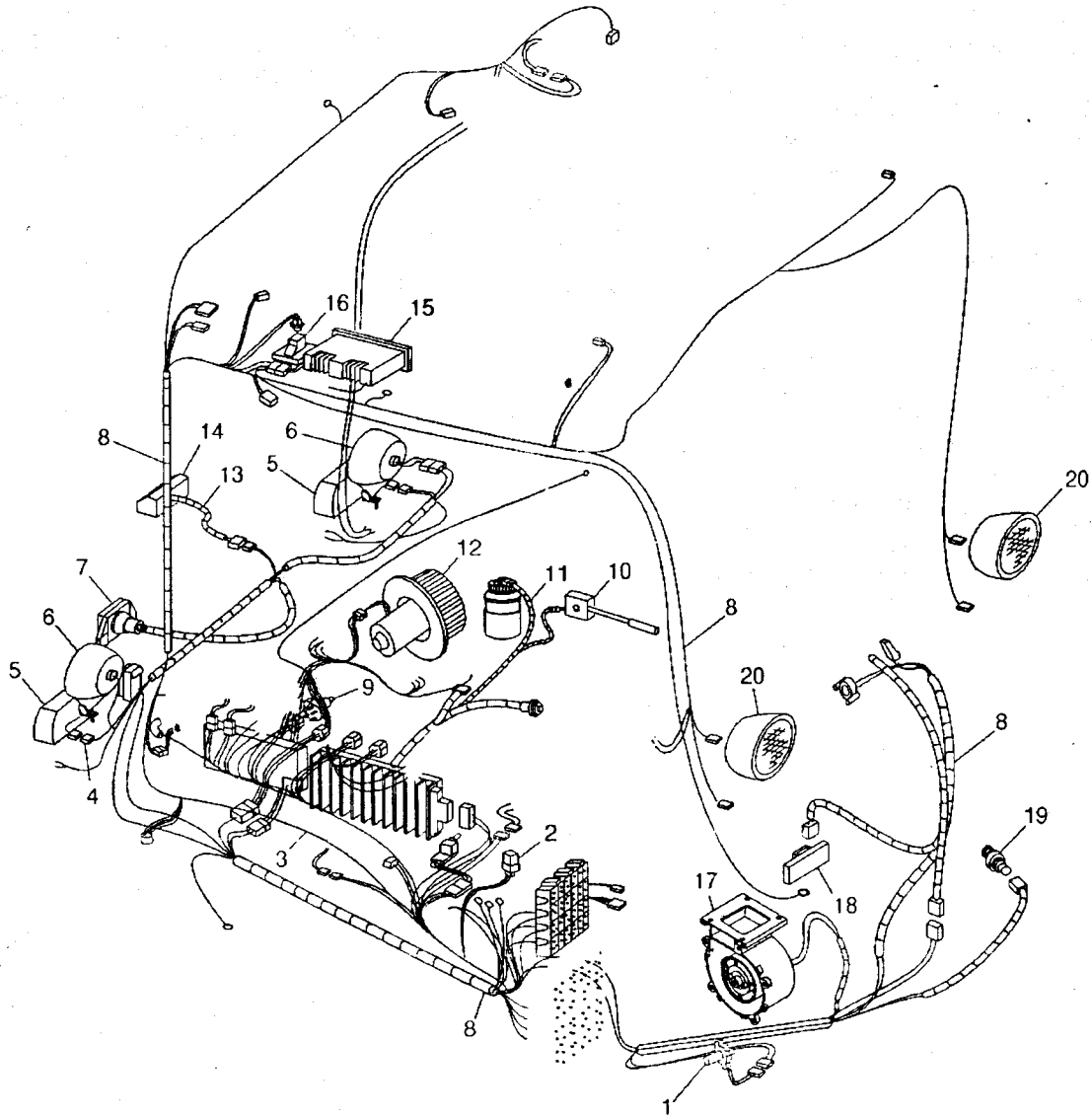


THIS PARTS LISTING IS CONTINUED

MEMORANDA
MEMORANDA
MEMORANDA
MEMORANDA
MEMORANDA
MEMORANDA

WIRING HARNESS (CAB) (EUROPEAN VERSION)
FAISCEAU DE CABLES (CABINE) (VERSION EUROPEENNE)
KABELBAUM (FAHRERKABINE) (EUROPEAEISCHE AUSFUEHRUNG)
CABLAGGIO (CABINA) (VERSIONE EUROPEA)
GRUPO DE CABLES (CABINA) (VERSION EUROPEA)
KABELHAERVA (HYTT) (EUROPEISK VERSION)

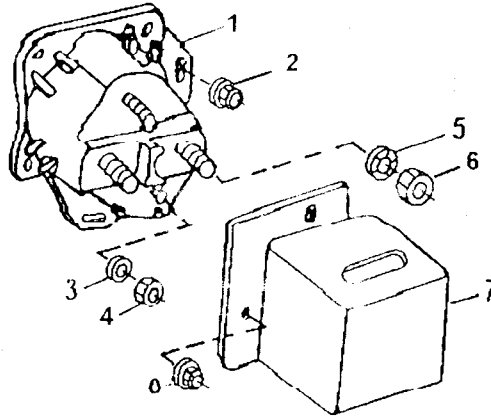
RXA0067230 -UN-16MAY03



RXA0067230

STARTING CIRCUIT RELAY
 RELAIS DU CIRCUIT DE MARRAGE
 ANLASSERSTROMKREISRELAY
 INTERRUTTORE CIRCUITO DI ACCENSIONE
 RELE DEL CIRCUITO DE ARRANQUE
 STARTRELAE

RE031148 UN-20OCT99

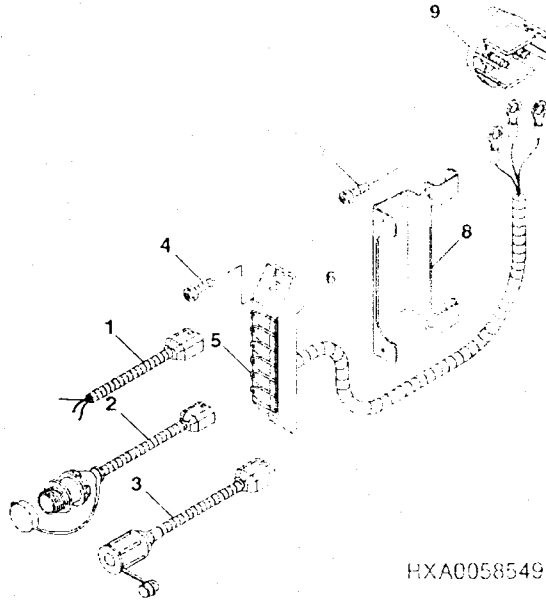


RE031148

KEY	PART NO	PART NAME	QTY	TRACTOR SERIAL NO	A	REMARKS
					L	
1	RE164448	STARTER RELAY	1		X	
2	14M7303	FLANGE NUT	2		X	M6
3	12M7060	LOCK WASHER	2		X	0.209"
4	14H631	NUT	1		X	0.190"
5	12M7032	LOCK WASHER	2		X	8.400 MM
6	14H785	NUT	2		X	5/16"
7	R113164	COVER	1		X	
8	14M7303	FLANGE NUT	2		X	M6

AUXILIARY POWER STRIP
 MULTIPRISE AUXILAIRS
 ZUSAETZLICHE MEHRFACH-STECKDOSE
 BASETTA AUSILIARIA DI ALIMENTAZIONE
 TIRA DE CONEXION DE ALIMENTACION AUXILIAR
 RESERVUTTAGSPLINT

RXA0058549 -UN-21NOV01



HXA0058549

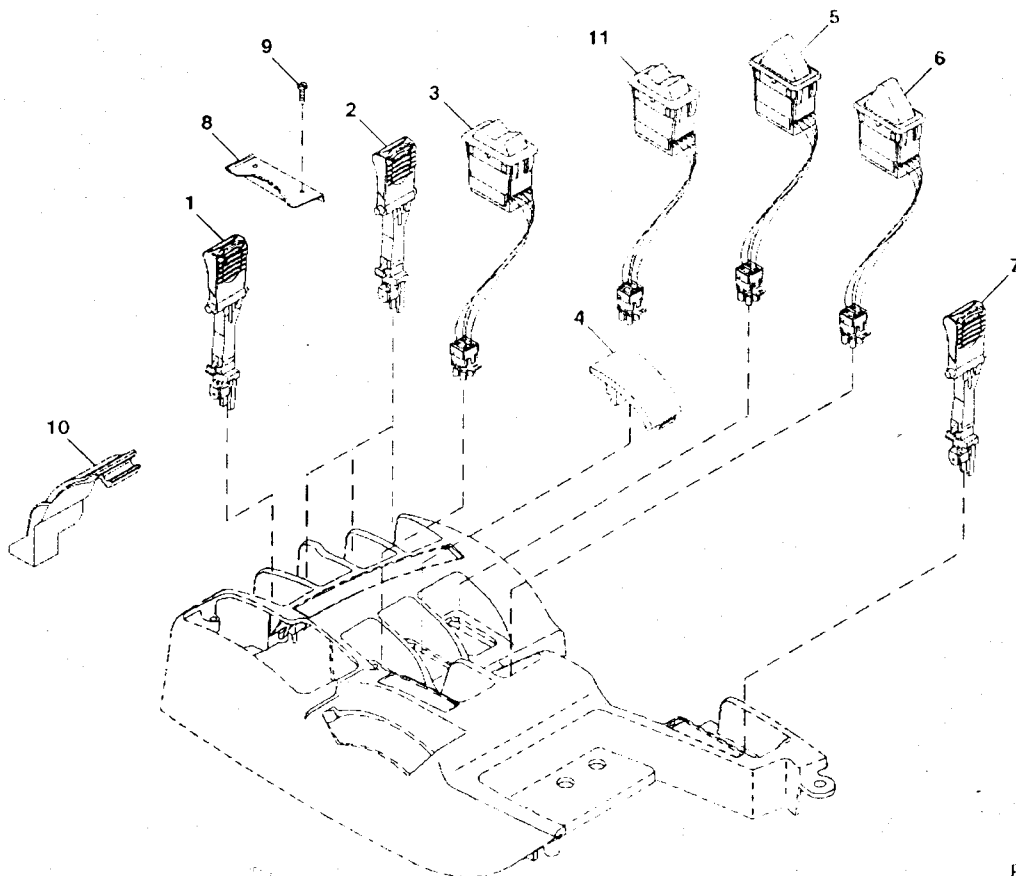
KEY	PART NO.	PART NAME	QTY	TRACTOR SERIAL NO	A		REMARKS
					L	L	
1	RE67013	ADAPTER FITTING	1			X	
2	RE67015	ADAPTER FITTING	1			X (A)	
	RE67016	ADAPTER FITTING	1			X (B)	
3	RE67014	ADAPTER FITTING	1			X	
4	37M7160	SCREW	2			X	M6 X 16
5	RE67019	CAP	5			X	
6	RE68495	FIELD INSTALLATION KIT	1			X	
7	R52931	SCREW	2			X	
8	R132150	BRACKET	1			X	
9	R111931	JUNCTION BLOCK	1			X	

(A) NORTH AMERICAN VERSION
 VERSION NORD AMERICAINE
 NORDAMERIKANISCHE
 VERSIONE NORDAMERICANA
 VERSION NORTEAMERICANA
 NORTH AMERICAN VERSION

(B) EUROPEAN VERSION
 VERSION EUROPEENNE
 AUSFUEHRUNG EUROPEAEISCHE
 VERSIONE EUROPEA
 VERSION EUROPEA
 EUROPEISK VERSION

ARMREST ELECTRICAL COMPONENTS
COMPOSANTS ELECTRIQUES D'ACCOURDOIR
ELEKTRISCHE KOMPONENTEN D.ARMSTUETZE
COMPONENTI ELETTRICI DEL BRACCIOLO
COMPONENTES ELECTRICOS DEL APOYABRAZOS
ELKOMPONENTER I ARMSTOED

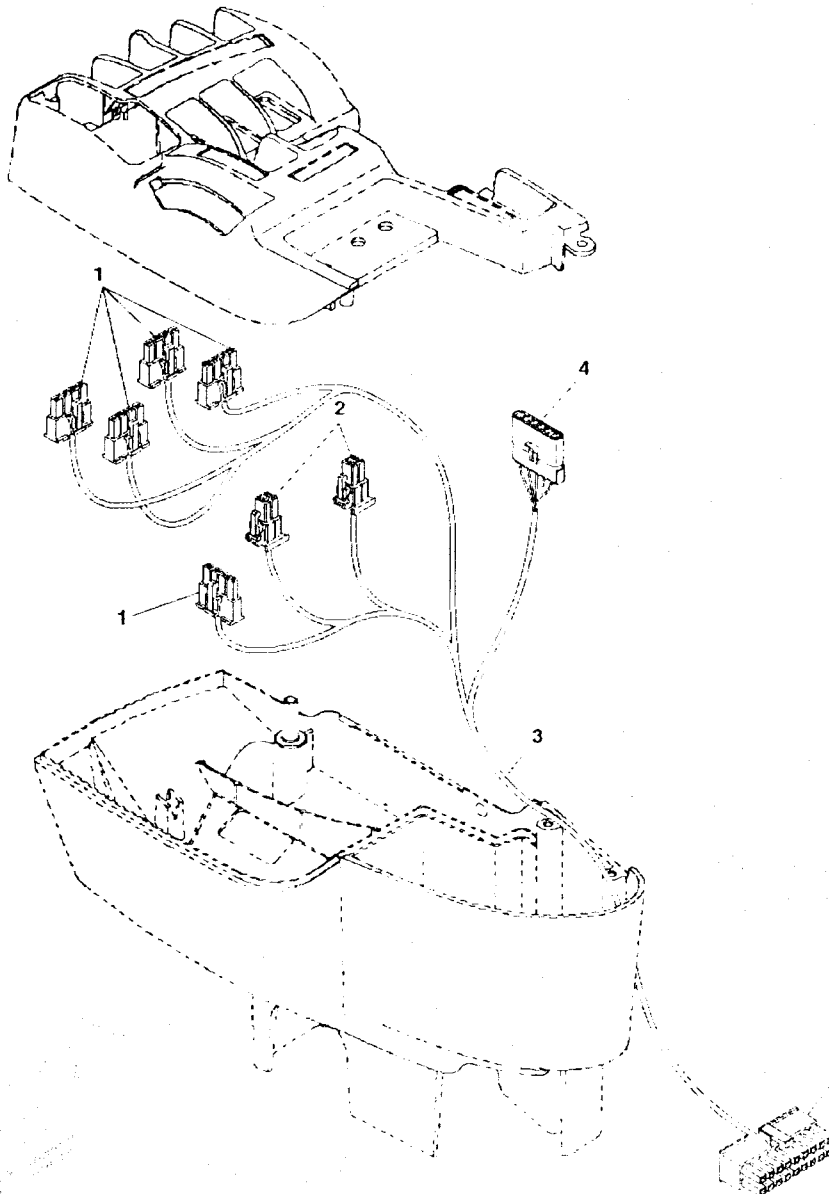
RXA0080184 -UN-07APR05



RXA0080184

WIRING HARNESS (ARMREST TO CAB)
FAISCEAU DE FILS (ENTRE ACCOUDOIR ET CABINE)
KABELBAUM (ARMLEHNE ZUR KABINE)
CABLAGGIO (DA BRACCIOLA A CABINA)
GRUPO DE CABLES (APOYABRAZOS A LA CABINA)
KABELHAERVA (ARMSTOED TILL HYTT)

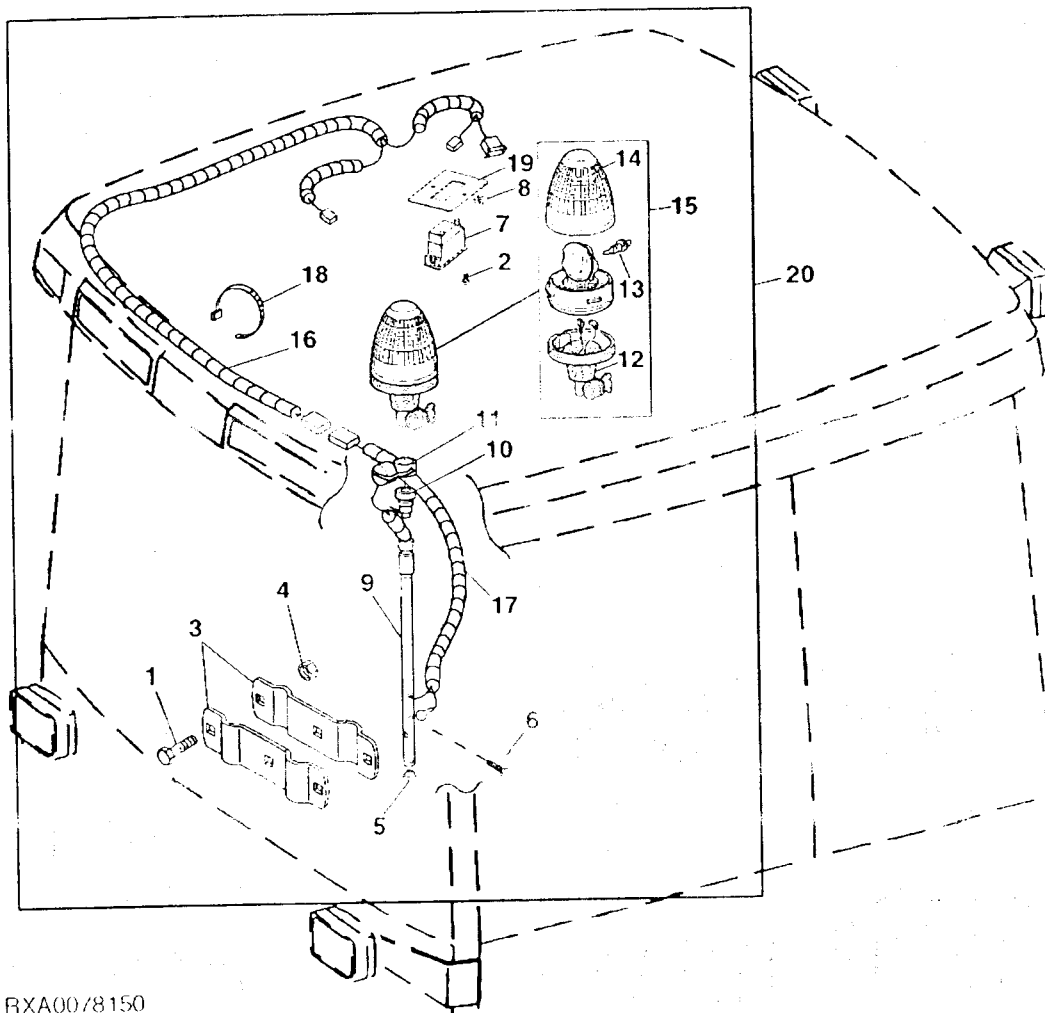
RXA0069319 UN-23JUL03



RXA0069319

MEMORANDA
MEMORANDA
MEMORANDA
MEMORANDA
MEMORANDA

ROTARY BEACON LIGHT KIT
KIT DE GYROPHARE
RUNDUMLICHT-SATZ
KIT LUCE ROTANTE
JUEGO DE PROYECTOR GIRATORIO
SATS MED ROTERANDE LJUS
RXA0078150 -UN-19NOV04



RXA0078150

THIS PARTS LISTING IS CONTINUED

8130, 8230, 8330, 8430, 8530 TRACTORS PC9451 (12-APR-06)
PN=296

42-76

OPERATOR'S STATION ELECTRICAL

MEMORANDA
MEMORANDA
MEMORANDA
MEMORANDA
MEMORANDA

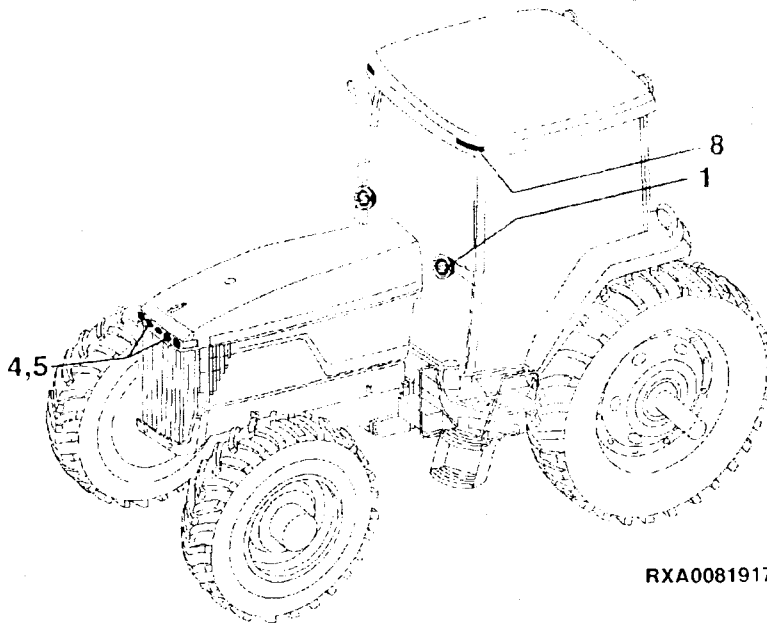
44-A02

LIGHTS

SECTIONAL INDEX
INDEX DE SECTION
GRUPPENINDEX
INDICE DELLA SEZIONE
INDICE DE SECCION
GRUPPSFORTECKNING

RXA0081917 -UN-

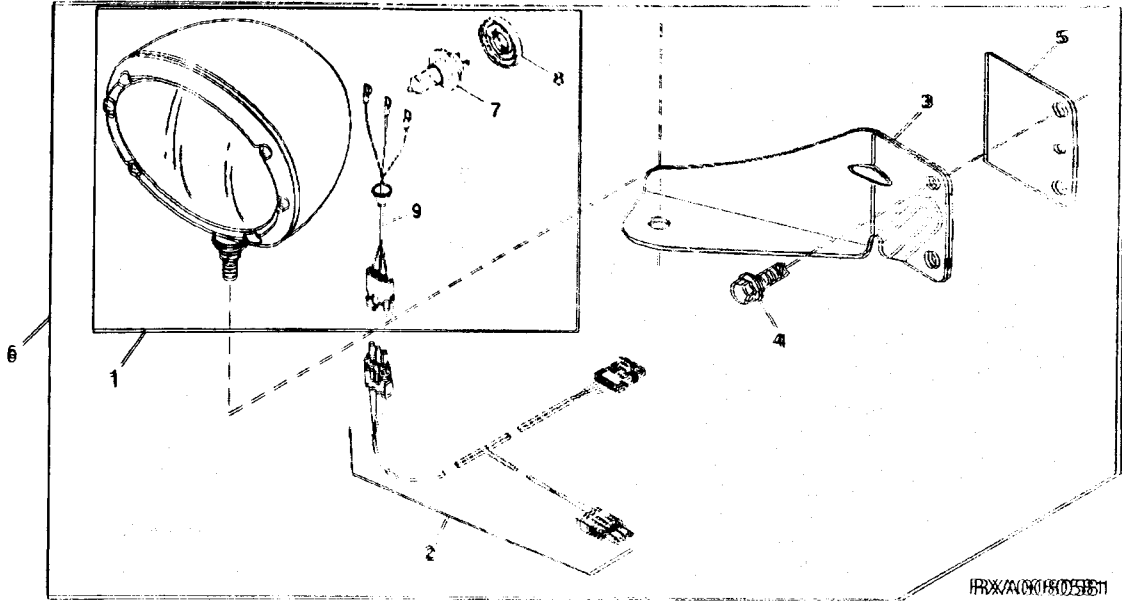
1-	1
4-	4
5-	5
8-	9



RXA0081917

HEADLIGHTS RIGHT-HAND TRAFFIC KIT (EUROPEAN VERSION)
JEU. PHARE ROUTE-DROITE (VERSION EUROPEENNE)
SATZ, FRONTSCHWEINWERFER RECHTSVERKEHR (EUROPAEISCHE AUSFUEHRUNG)
KIT, FARO CIRCOLAZIONE DE TRAFFICO SULLA DESTRA (VERSIONE EUROPEA)
JUEGO, FARO DELANTERO CIRCULACION DERECHA (VERSION EUROPEA)
SATS, STRAALKASTARE HOEGERTRAFIK (EUROPEISK VERSION)

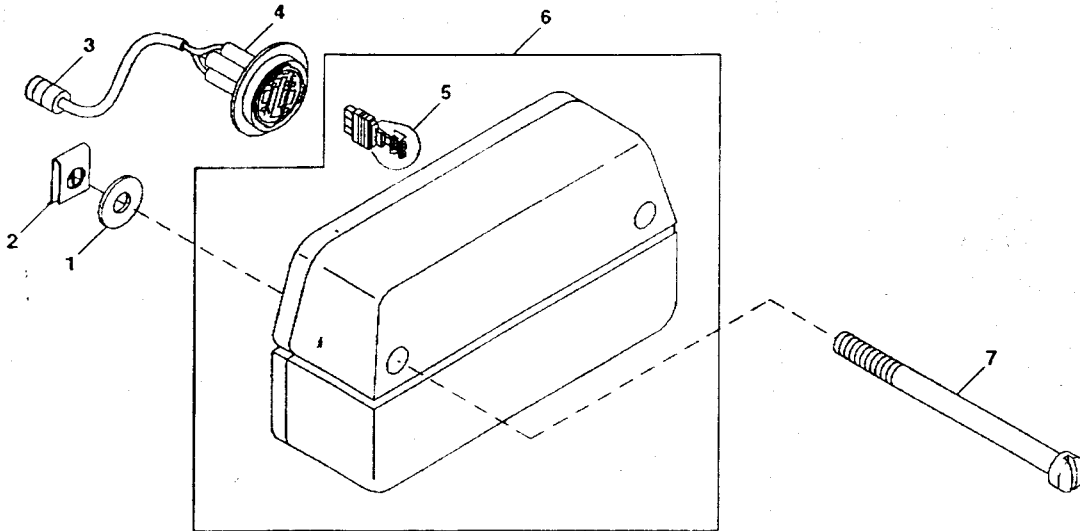
FXA0080581 -UN-05MAY05



KEY	PART NO.	PART NAME	QTY	CAR SERIAL NO.	A L L	REMARKS
1	RE229111	HEADLIGHT	2		X	
2	RE190253	HEADLAMP WIRING HARNESS	1		X	
3	R175434	BRACKET	1		X	L.H.
	R182033	BRACKET	1		X	R.H.
4	37M7257	SCREW	4		X	M8 X 16
5	R175436	GASKET	2		X	(SUB R2254929)
6	RE225343	FIELD INSTALLATION KIT	1		X	
7	57M7166	BULB	1		X	
8	L79050	DUST SHIELD	1		X	
9	RE229124	HEADLAMP WIRING HARNESS	1		X	

TAIL LIGHT
 FEUX ARRIERE
 SCHLUSSEUCHTEN
 LUCI CODA
 LUCES PILOTO TRASERAS
 BAKLJUS

RXA0067048 -UN-13MAY03



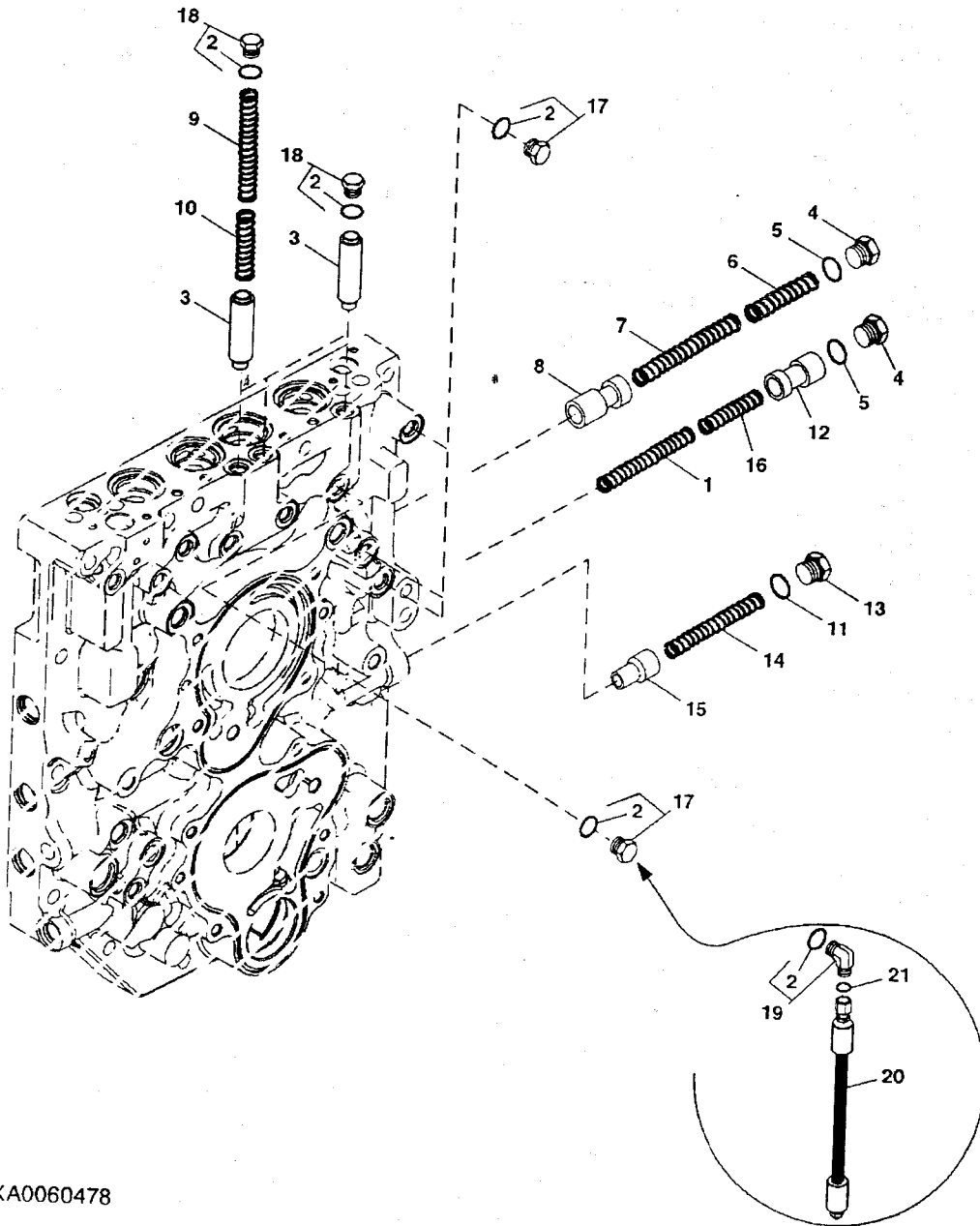
RXA0067048

KEY	PART NO.	PART NAME	QTY.	TRACTOR SERIAL NO.	A L L	REMARKS
1	24M7244	WASHER	4		X	6.400 X 12 X 1.600 MM
2	R134098	NUT	4		X	
3	WIRING HARNESS	1		X (A)	
4	R114917	ELECTRICAL LAMP SOCKET	2		X	(ALSO ORDER (4) 57M7519)
5	RE49778	BULB	2		X	(GE3157)
6	RE150894	TAIL LAMP	2		X	
7	21M7452	SCREW	4		X	M6 X 90

(A) ENGINE AND CHASSIS
 MOTEUR ET CHASSIS
 MOTOR UND CHASSIS
 MOTORE E TELAIO
 MOTOR Y CHASIS
 MOTOR OCH CHASSI

MANIFOLD VALVES
SOUPAPES DU REPARTITEUR
VERTEILERVENTILE
VALVOLE DEL COLLETORE
VALVULAS DE MULTIPLE
FOERDELARE, VENTILER

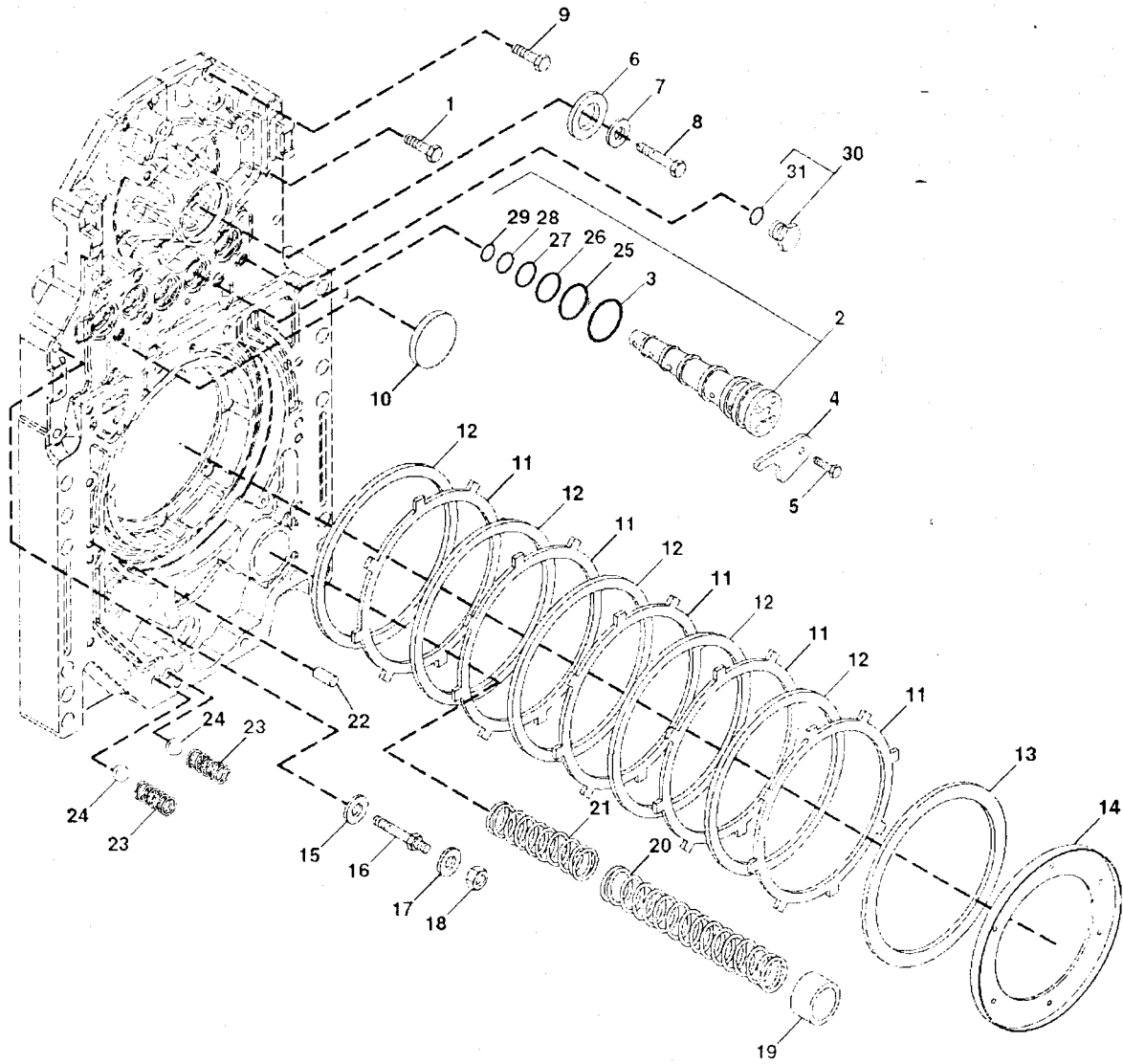
RXA0060478 -UN-06MAY02



RXA0060478

TRANSMISSION CASE REAR COVER
COUVERCLE ARRIERE DE CARTER DE TRANSMISSION
HINTERE ABDECKUNG DES GETRIEBEGEHAEUSES
COPERCHIO POSTERIORE DELLA SCATOLA DELLA TRASMISSIONE
CUBIERTA POSTERIOR DE LA CAJA DE LA TRANSMISION
TRANSMISSIONSKAAPANS BAKRE PLAAT

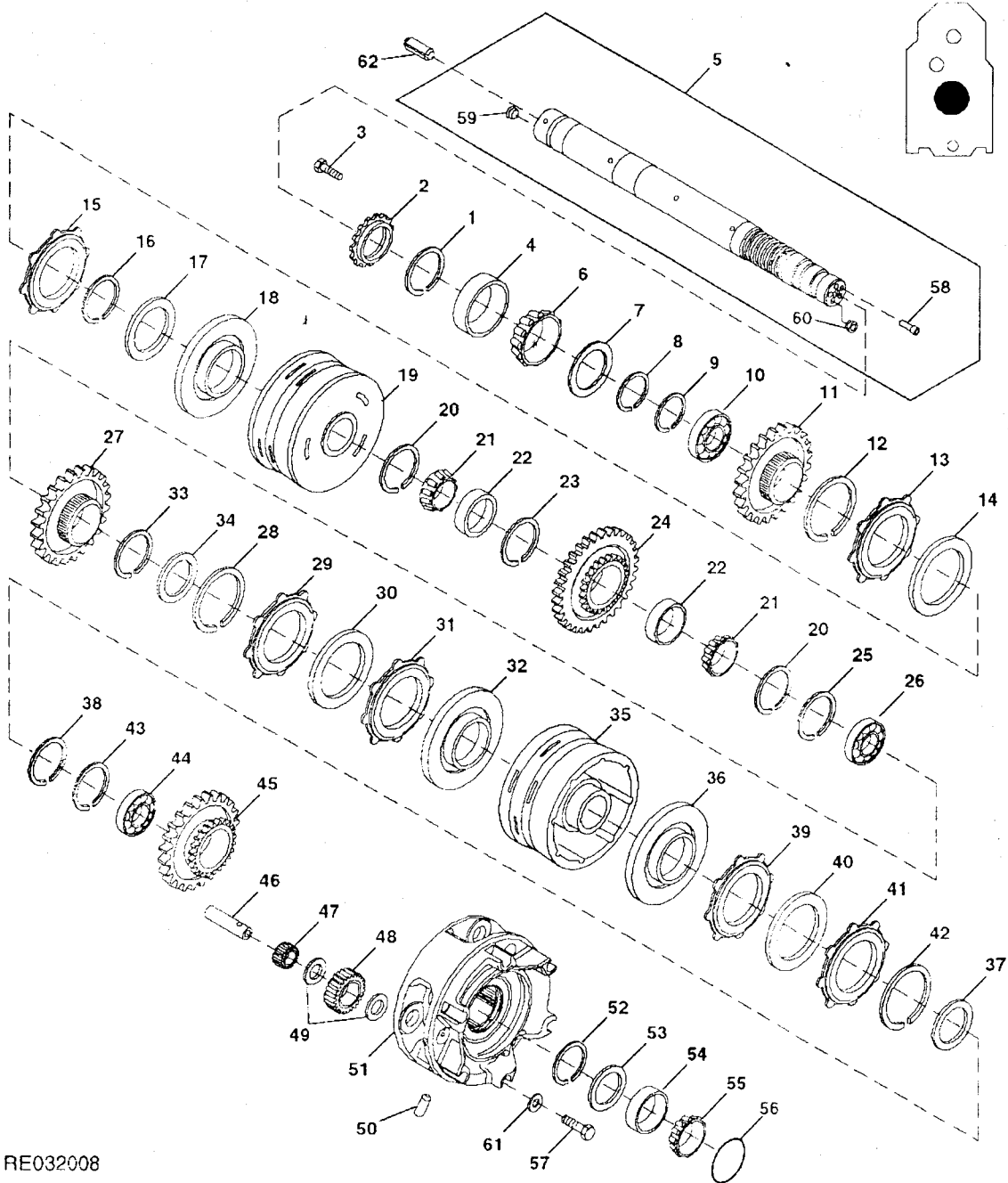
RXA0083132 -UN-05AUG05



RXA0083132

TRANSMISSION OUTPUT SHAFT
ARBRE DE SORTIE DE TRANSMISSION
GETRIEBEABTRIEBSWELLE
ALBERO DI USCITA DELLA TRASMISSIONE
EJE DE SALIDA DE LA TRANSMISION
TRANSMISSIONENS UTGAAENDE AXEL

RE032008 -UN-18DEC00



RE032008

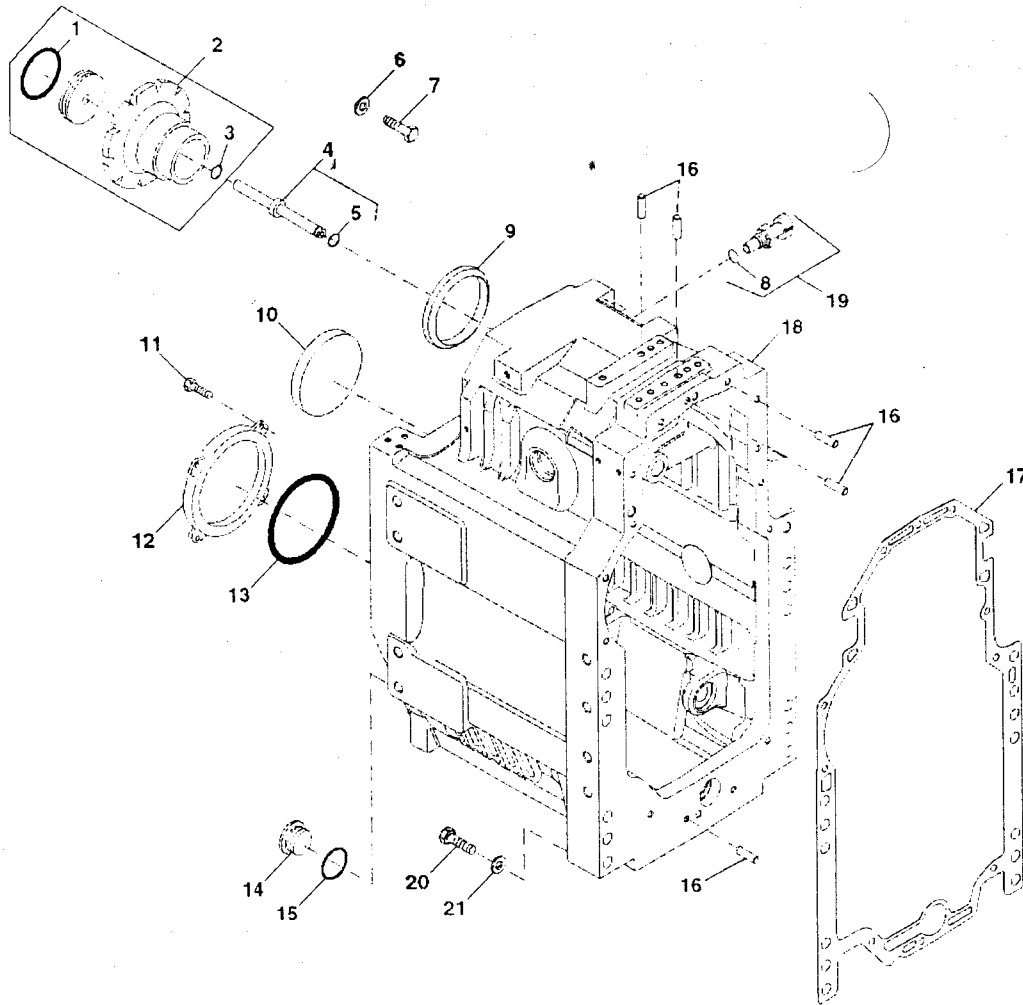
THIS PARTS LISTING IS CONTINUED

51-38

POWER SHIFT TRANSMISSION

TRANSMISSION CASE
CARTER DE TRANSMISSION
GETRIEBEGEHAEUSE
SCATOLA DELLA TRASMISSIONE
CAJA DE TRANSMISION
TRANSMISSIONSKAAPA

RXA0087764 -UN-13MAR06



RXA0087764

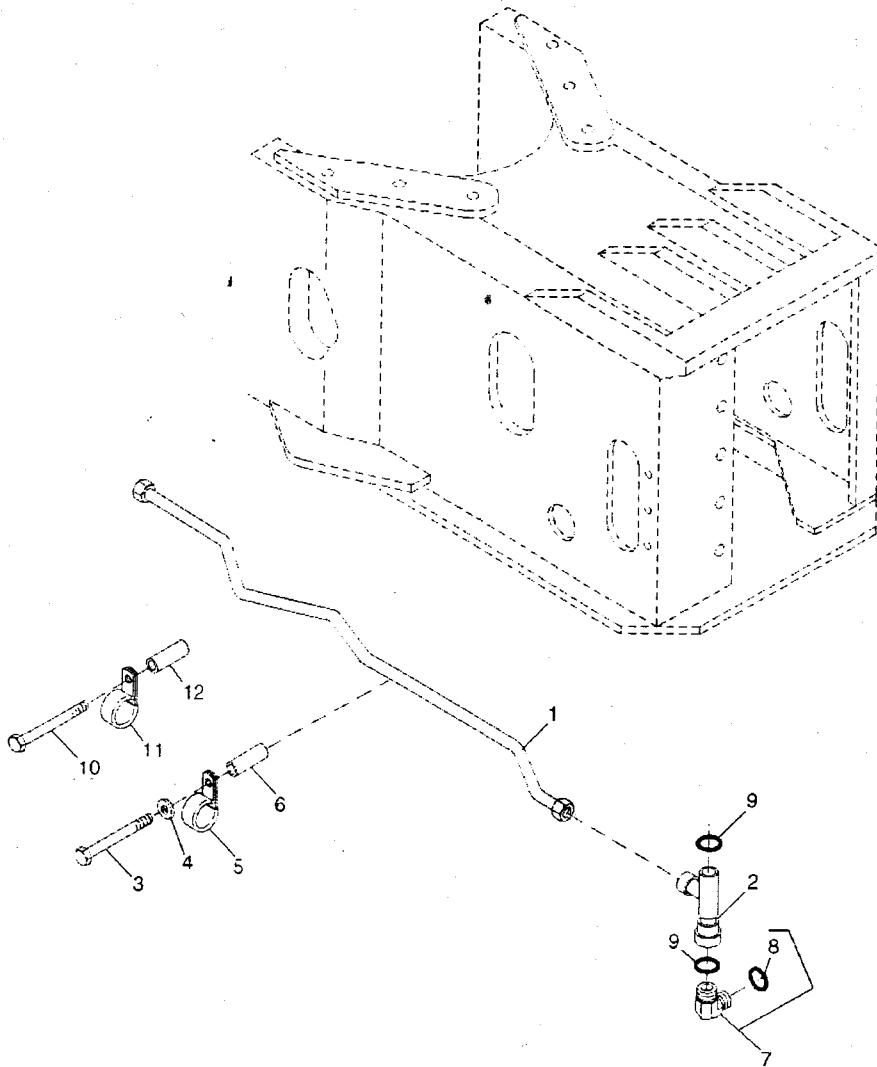
THIS PARTS LISTING IS CONTINUED

51-48

POWER SHIFT TRANSMISSION

TRANSMISSION LINES
CONDUITES DE TRANSMISSION
GETRIEBE-LEITUNGEN
LINEE DELLA TRASMISSIONE
LINEAS DE TRANSMISION
TRANSMISSIONSLEDNINGAR

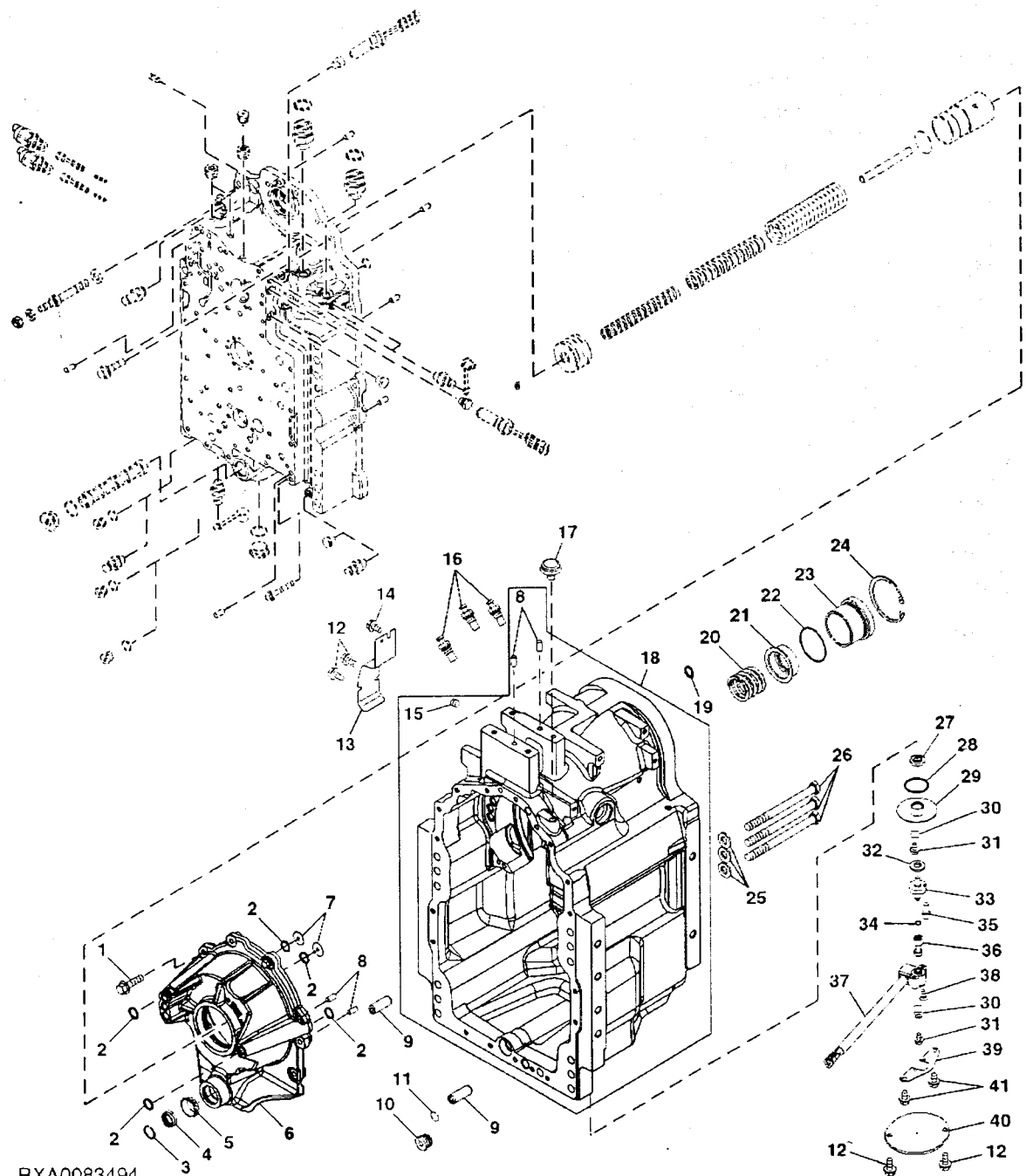
RXA0061932 -UN-02AUG02



RXA0061932

TRANSMISSION HOUSING (REAR)
CARTER DE TRANSMISSION (ARRIERE)
GETRIEBEGEHAEUSE (HINTERE)
ALLOGGIAMENTO TRASMISSIONE (POSTERIORE)
CAJA DE TRANSMISION (TRASERO)
TRANSMISSIONSKAAPPA (BAK)

RXA0083494 -UN-19AUG05

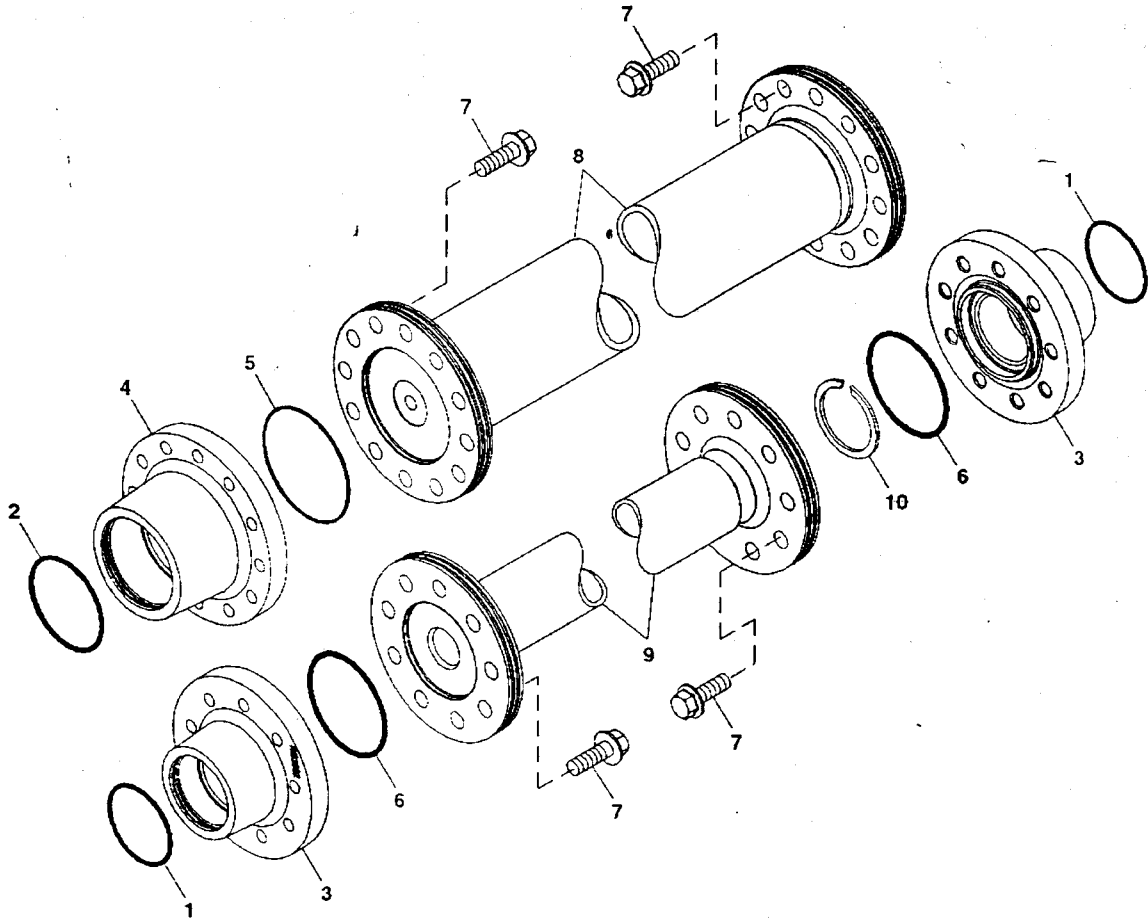


RXA0083494

THIS PARTS LISTING IS CONTINUED

MID-FRAME SHAFTS
ABRES DE CHASSIS CENTRAL
MITTERLRAHMENWELLEN
ALBERI A META' TELAIO
EJES DEL BASTIDOR CENTRAL
MITTENRAMAXLAR

RXA0077635 -UN-27SEP04



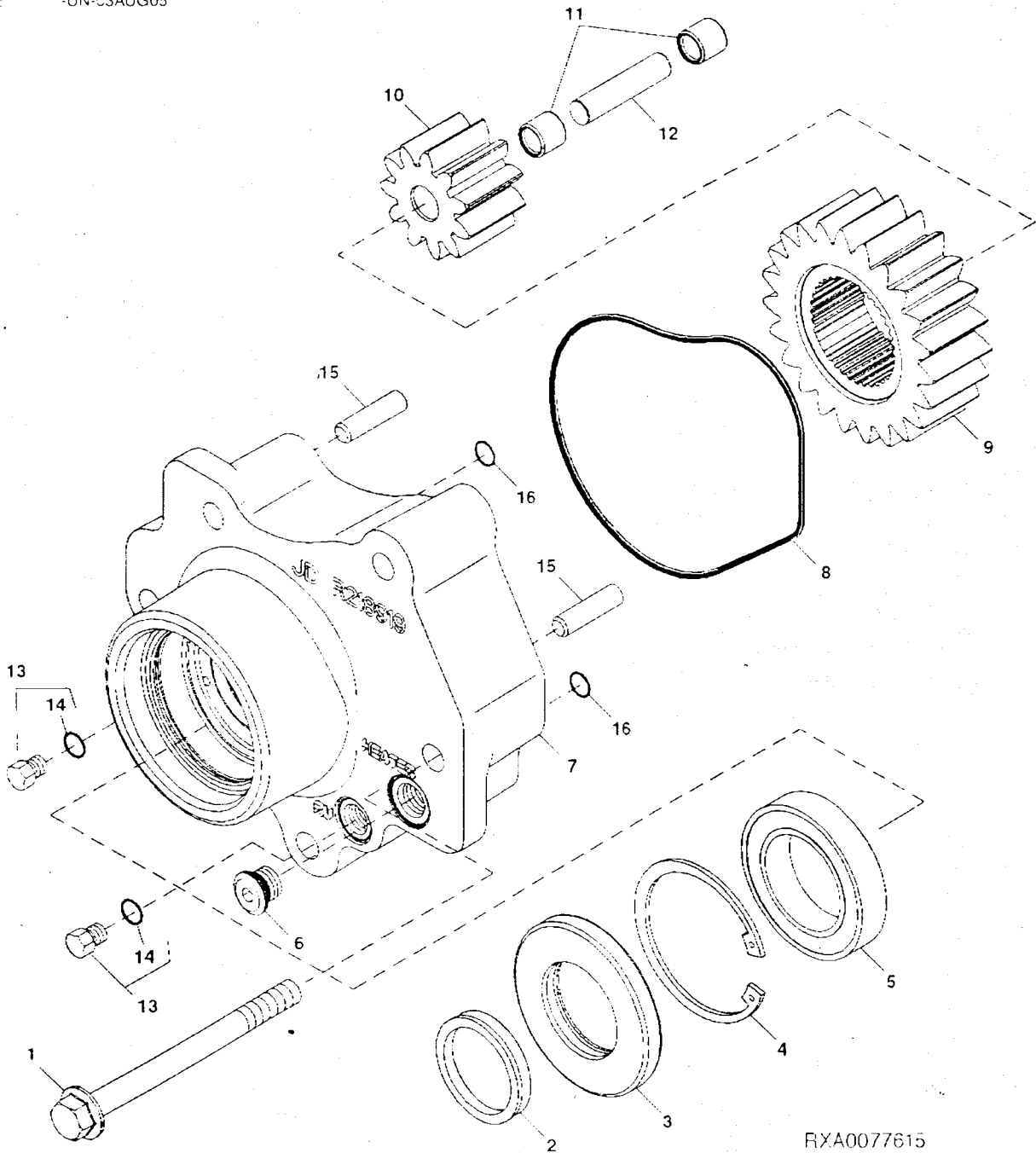
RXA0077635

52-24

INFINITELY VARIABLE TRANSMISSION

SCAVENGE PUMP
POMPE DE RECUPERATION
SPUELPUMPE
POMPA DI RECUPERO
BOMBA DE BARRIDO
SPOLPUMP

RXA0077615 -UN-03AUG05



RXA0077615

THIS PARTS LISTING IS CONTINUED

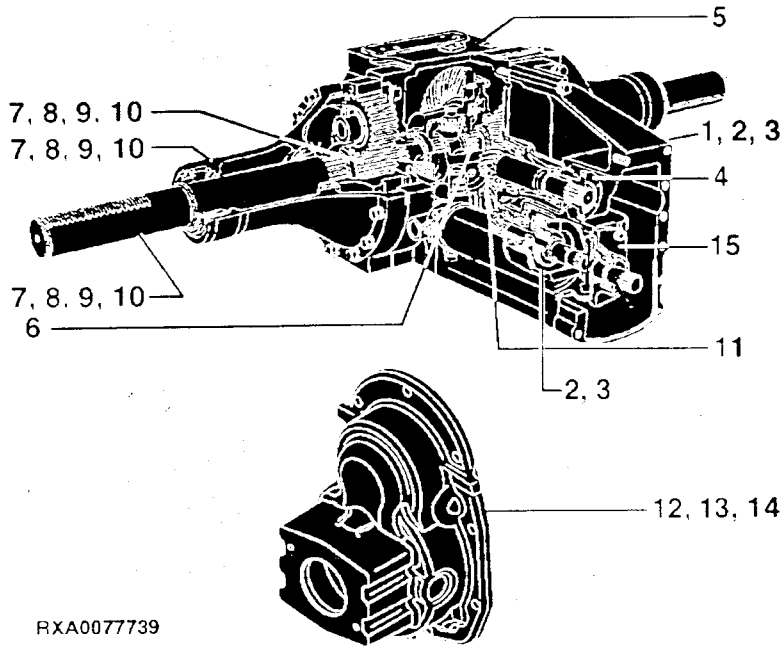
53-A01

DIFFERENTIAL AND REAR PT.

SECTIONAL INDEX
 INDEX DE SECTION
 GRUPPENINDEX
 INDICE DELLA SEZIONE
 INDICE DE SECCION
 GRUPPSFORTECKNING

RXA0077739 -UN-

1-	14
2-	15
3-	16
4-	17
5-	18
6-	19
7-	20
8-	21
9-	22
10-	23
11-	24
12-	25
13-	26
14-	27
15-	28
16-	29
17-	30
18-	31
19-	32
20-	33
21-	34
22-	35
23-	36
24-	37
25-	38
26-	39
27-	40
28-	41
29-	42
30-	43
31-	44
32-	45
33-	46
34-	47
35-	48
36-	49
37-	50
38-	51
39-	52
40-	53
41-	54
42-	55
43-	56
44-	57
45-	58
46-	59
47-	60
48-	61
49-	62
50-	63
51-	64
52-	65
53-	66
54-	67
55-	68
56-	69
57-	70
58-	71
59-	72
60-	73
61-	74
62-	75
63-	76
64-	77
65-	78
66-	79
67-	80
68-	81
69-	82
70-	83
71-	84
72-	85
73-	86
74-	87
75-	88
76-	89
77-	90
78-	91
79-	92
80-	93
81-	94
82-	95
83-	96
84-	97
85-	98
86-	99
87-	100
88-	101
89-	102
90-	103
91-	104
92-	105
93-	106
94-	107
95-	108
96-	109
97-	110
98-	111
99-	112
100-	113



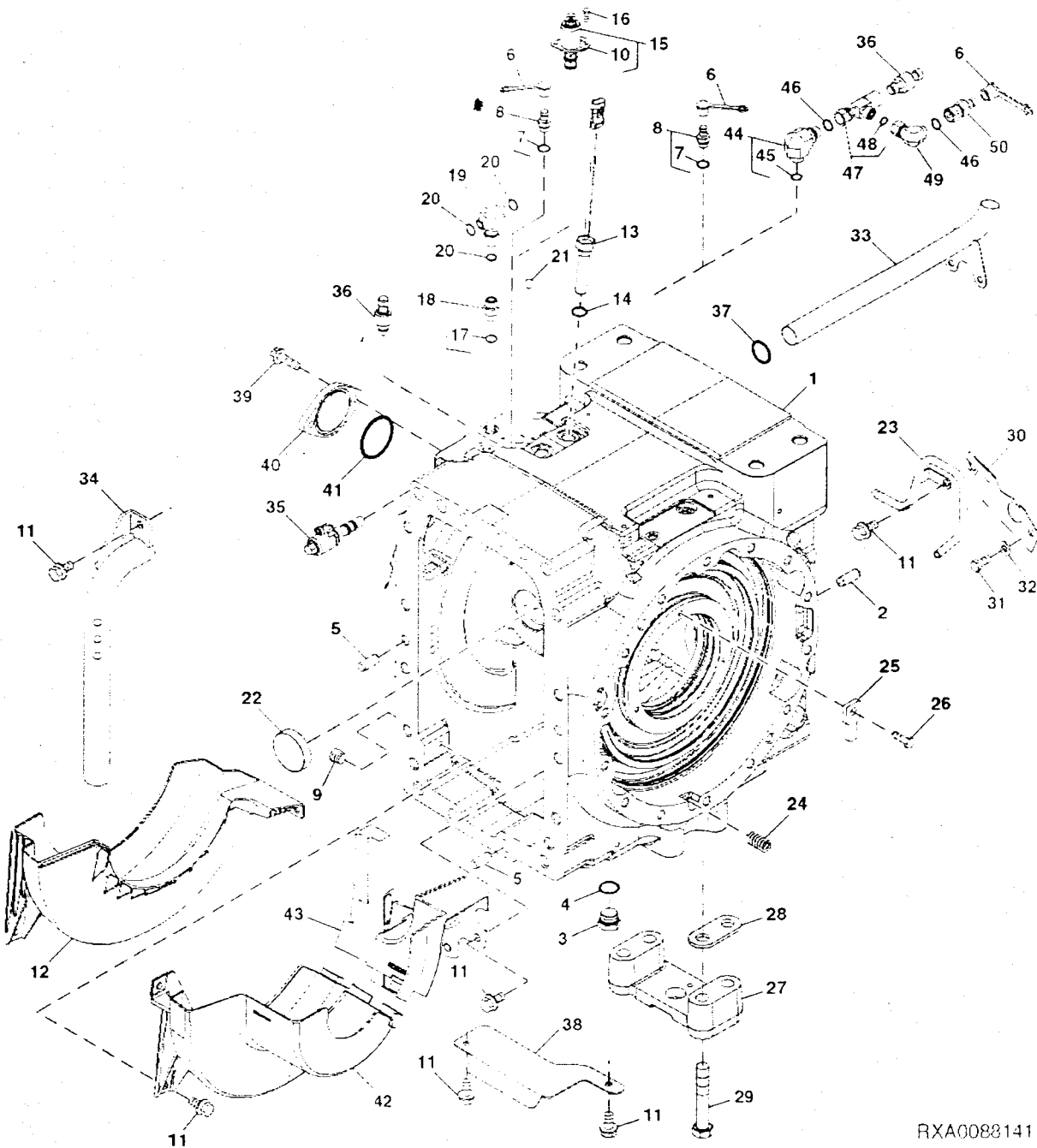
RXA0077739

53-10

DIFFERENTIAL AND REAR PTO

DIFFERENTIAL CASE
CARTER DE DIFFERENTIEL
DIFFERENTIALGEHAEUSE
SCATOLA DEL DIFFERENZIALE
CAJA DEL DIFERENCIAL
DIFFERENTIALKAAPA

RXA0088141 UN-04APR06



RXA0088141

THIS PARTS LISTING IS CONTINUED

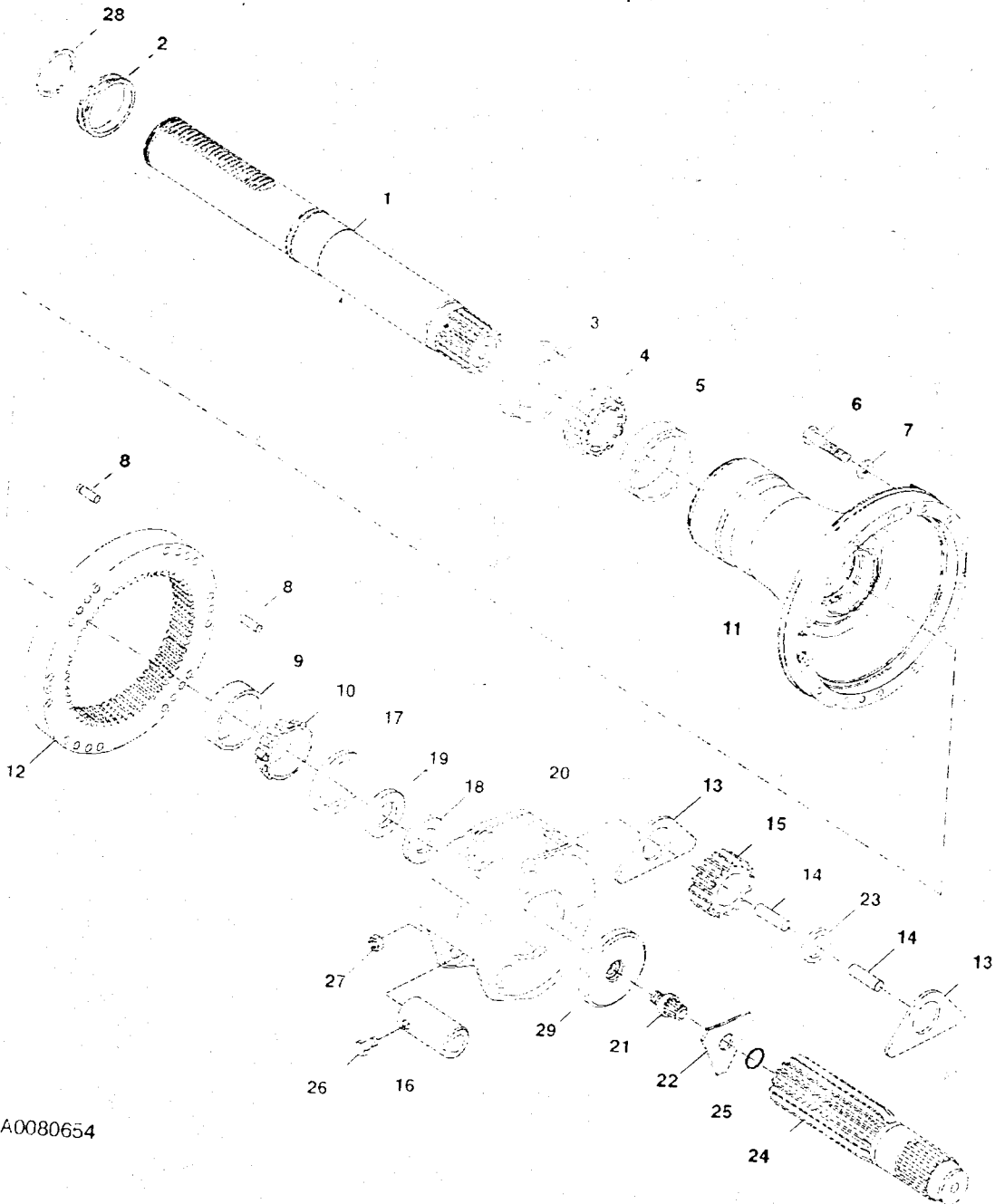
53-20

DIFFERENTIAL AND REAR PTO

PLANETARY AND AXLE SHAFT (8430,8530)(120MM)
PLANETAIRE ET ARBRE D'ESSIEU (8430,8530)(120MM)
PLANETENGETRIEVE UND ACHSWELLE (8430,8530)(120MM)
GRUPPO PLANETARIO ED ALBERO DELL'ASSALE (8430,8530)(120MM)
PLANETARIO Y EJE (8430,8530)(120MM)
PLANETVAEXEL OCH AXEL (8430,8530)(120MM)

RXA0080654

-UN-04MAY05

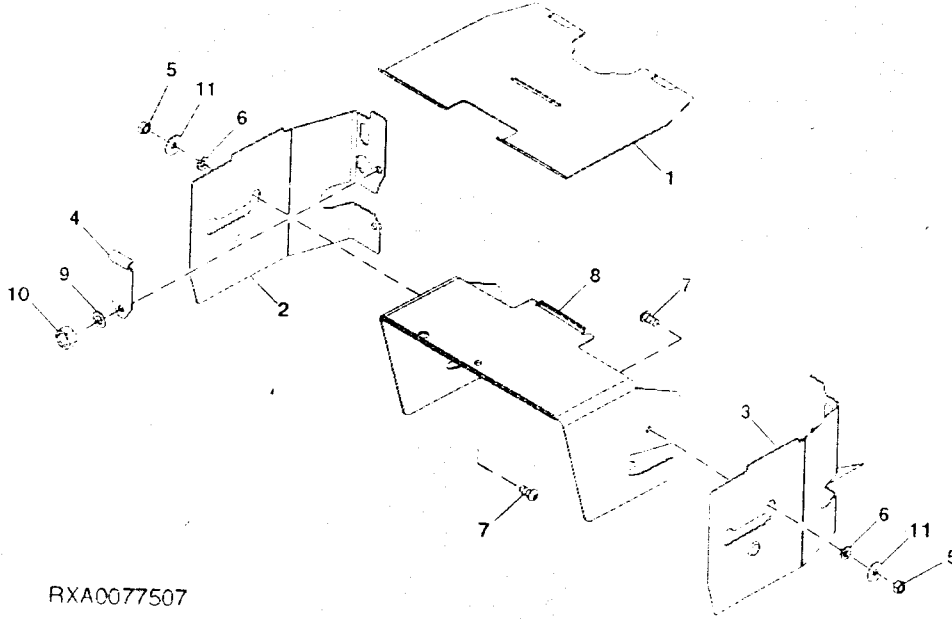


RXA0080654

THIS PARTS LISTING IS CONTINUED

PTO MASTER SHIELD
 ECRAN DE PROTECTION DE PDF
 ZAPFWELLENHAUPTABDECKUNG
 PROTEZIONE PRINCIPALE DELLA PRESA DI FORZA
 ESCUDO PRINCIPAL DE LA TDF
 KRAFTUTTAGETS CENTRALSKYDDSPLAAT

RXA0077507 UN:16SEP03



RXA0077507

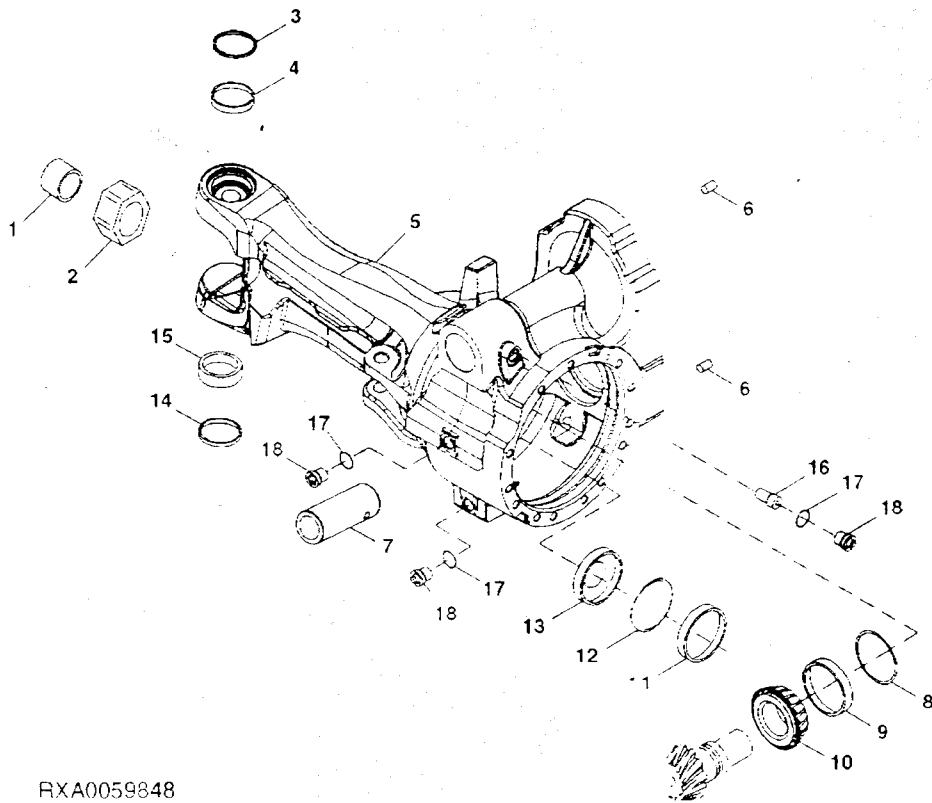
KEY	PART NO	PART NAME	QTY.	TRACTOR SERIAL NO.	A L L	REMARKS
1	RE217737	SUPPORT	1		X	
	RE44871	SHIELD	1		X	(A)
2	RE217738	SUPPORT	1		X	
	RE60861	SUPPORT	1		X	(A)
3	RE217743	SUPPORT	1		X	
	RE60862	SUPPORT	1		X	(A)
4	R107454	PTO SHIELD RETAINER	2		X	
5	14M7274	NUT	2		X	
6	R116948	WASHER	2		X	M10
7	21M7442	SCREW	2		X	
8	R217741	SUPPORT	1		X	M10 X 20. HS 12.9
	R124049	SHIELD	1		X	
9	24M7346	WASHER	1		X	(A)
10	14M7274	NUT	AR		X	11 X 20 X 2 MM
11	24M7178	WASHER	AR		X	M10
			2		X	10.500 X 33 X 2.500 MM

(A) W/ PICK-UP HITCH DRAWBAR
 W/ BARRE D'ATTELAGE TELESCOPIQUE
 W/ PICK-UP-ANHAENGE VORRICHTUNG. ZUGPENDEL
 W/ BARRA DI TRAINO DELL'ATTACCO DI TRAINO
 W/ BARRA DE TIRO DEL ENGANCHE EXTENSIBLE
 W/ UTSKJUTBAR DRAGANORDNING. DRAGBOM

54-6

AXLE HOUSING (L.H.)
TROMPETTE D'ESSIEU (LH)
ACHSGEHAUSE (LH)
ALLOGGIAMENTO DELL'ASSALE (LH)
CAJA DEL EJE (LH)
AXELHUS (LH)

RXA0059848 UN-18MAR02



RXA0059848

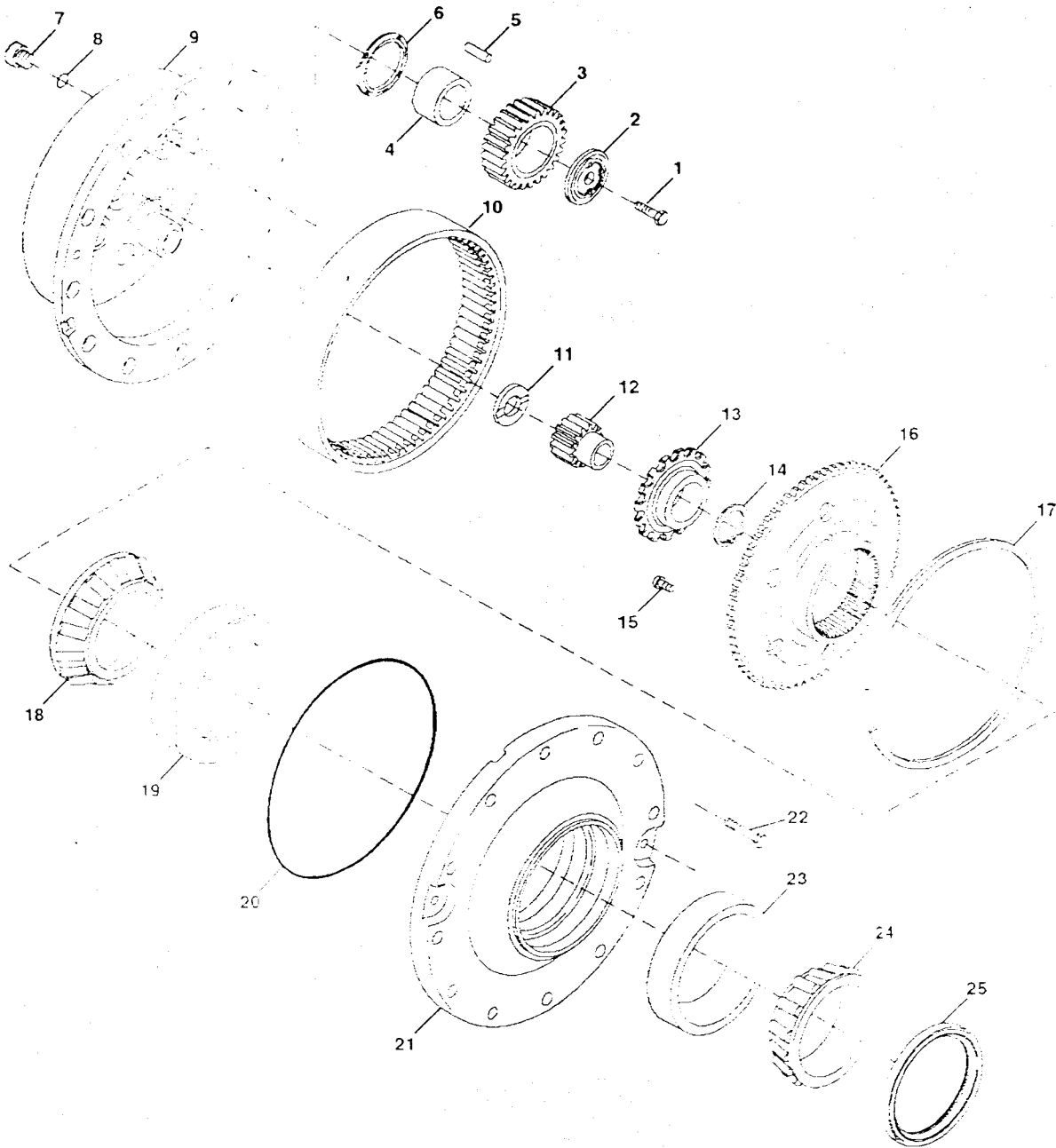
THIS PARTS LISTING IS CONTINUED

54-16

MFWD

FINAL DRIVE
REDUCTEUR
ENDANTRIEB
COPPIA CONICA
MANDO FINAL
NSKSCRLBSRCL

RE031940 UN-02MAY01

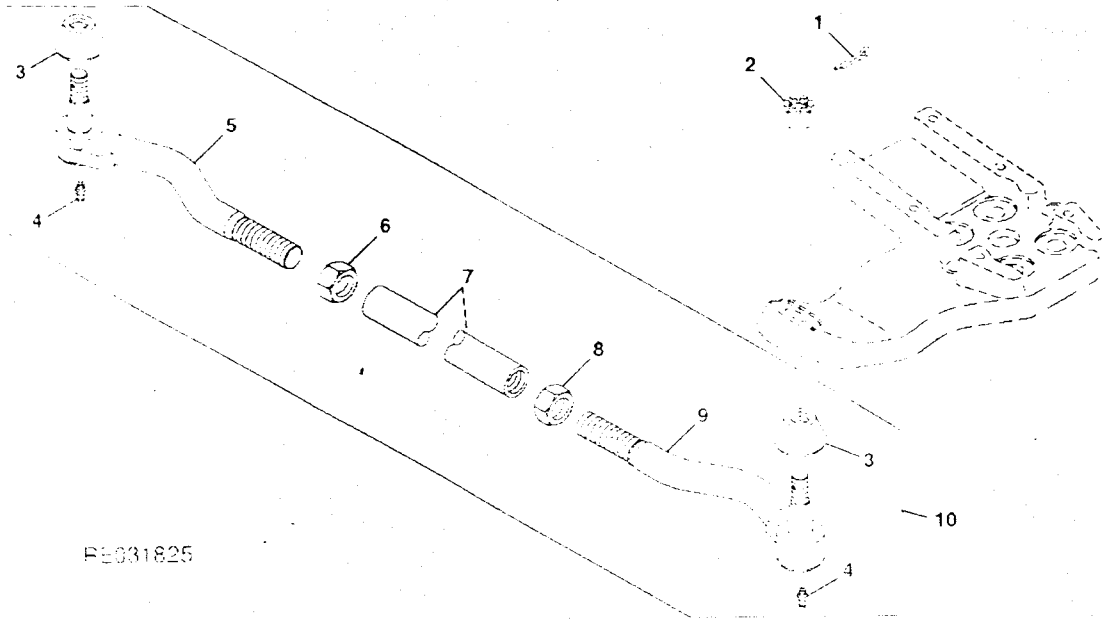


RE031940

THIS PARTS LISTING IS CONTINUED

TIE ROD (MFWD)
 BARRE D'ACCOUPLMENT (MFWD)
 SPURSTANGE (MFWD)
 BARRA D'ACCOPIAMENTO (MFWD)
 BARRA TRANSV. DE DIRECTION (MFWD)
 PARALLELLSTAG (MFWD)

RE031825 -UN-02NOV00



RE031825

KEY	PART NO.	PART NAME	QTY.	AXLE SERIAL NO.	REMARKS
				8 8 8	
				1 2 3	
				3 3 3	
				0 0 0	
1	P146817	COTTER PIN	2		X X X 3.200 X 32 MM
2	P146875	NUT	2		X X X 7/8"
	P150227	COVER	2		X X X
	P107797	LUBRICATION FITTING	2		X X X
	RE173641	TIE ROD END	1		X X X LH
	P121323	LOCK NUT	1		X X X LH
	P124748	TURNBUCKLE	1		X X X
	P121322	LOCK NUT	1		X X X RH
	RE173640	TIE ROD END	1		X X X RH
	RE173624	TIE ROD ASSEMBLY	1		X X X

TRANSMISSION CASE
CARTER DE TRANSMISSION
GETRIEBEGEHAEUSE
SCATOLA DELLA TRASMISSIONE
CAJA DE TRANSMISION
TRANSMISSIONSKAAPPA

RXA0087763 115-MAR-06



RXA0087763

THIS PARTS LISTING IS CONTINUED

CLICK HERE TO **DOWNLOAD** THE COMPLETE MANUAL

- Thank you very much for reading the preview of the manual.
- You can download the complete manual from: www.heydownloads.com by clicking the link below

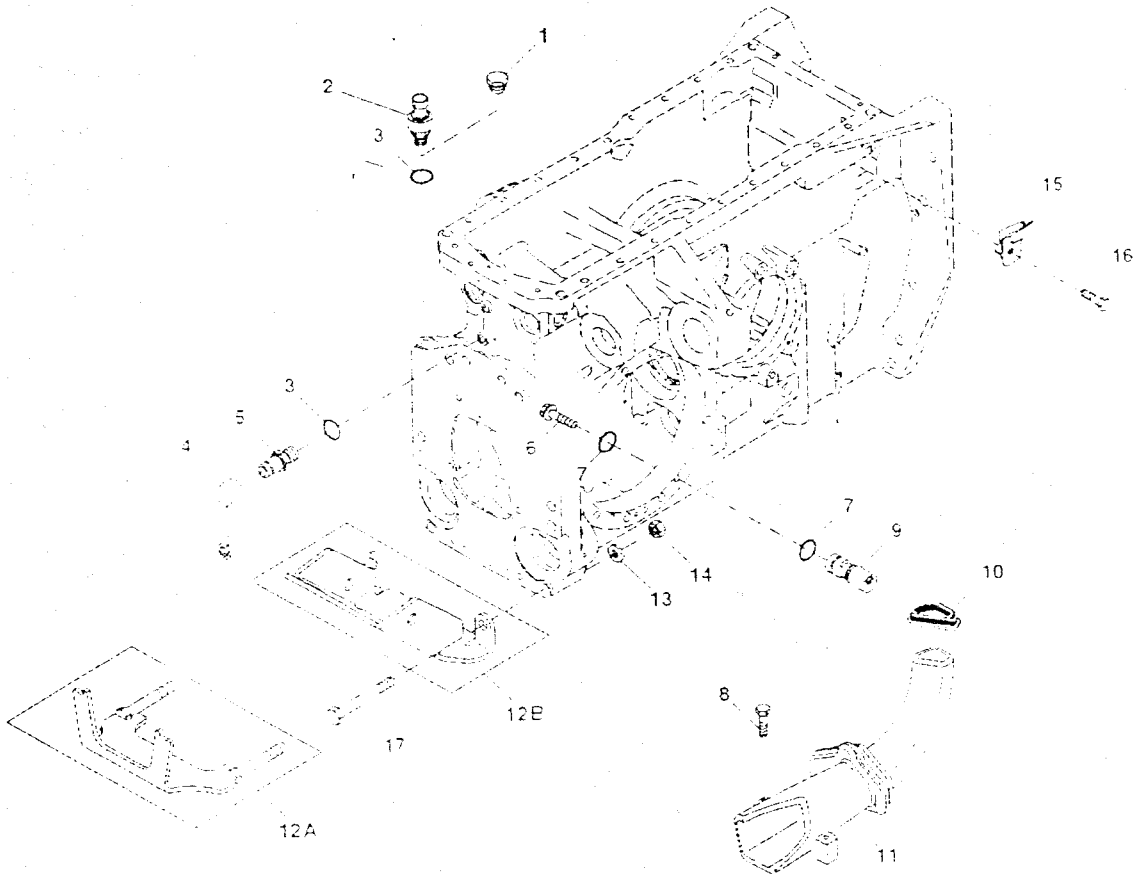


- Please note: If there is no response to CLICKING the link, please download this PDF first and then click on it.

CLICK HERE TO **DOWNLOAD** THE COMPLETE MANUAL

DIFFERENTIAL CASE OIL EVACUATION
EVACUATION DE L'HUILE DE BOITE DE DIFFERENTIEL
LEERPUMPEN DES AUSGLEICHSGEHAUSEOELS
SCARICO OLIO SCATOLA DEL DIFFERENZIALE
EVACUACION DE ACEITE DE CAJA DEL DIFERENCIAL
OLJEEVAKUERING UR DIFFERENTIALKAAPA

RXA0085327 -UN-19DEC05



RTV-111

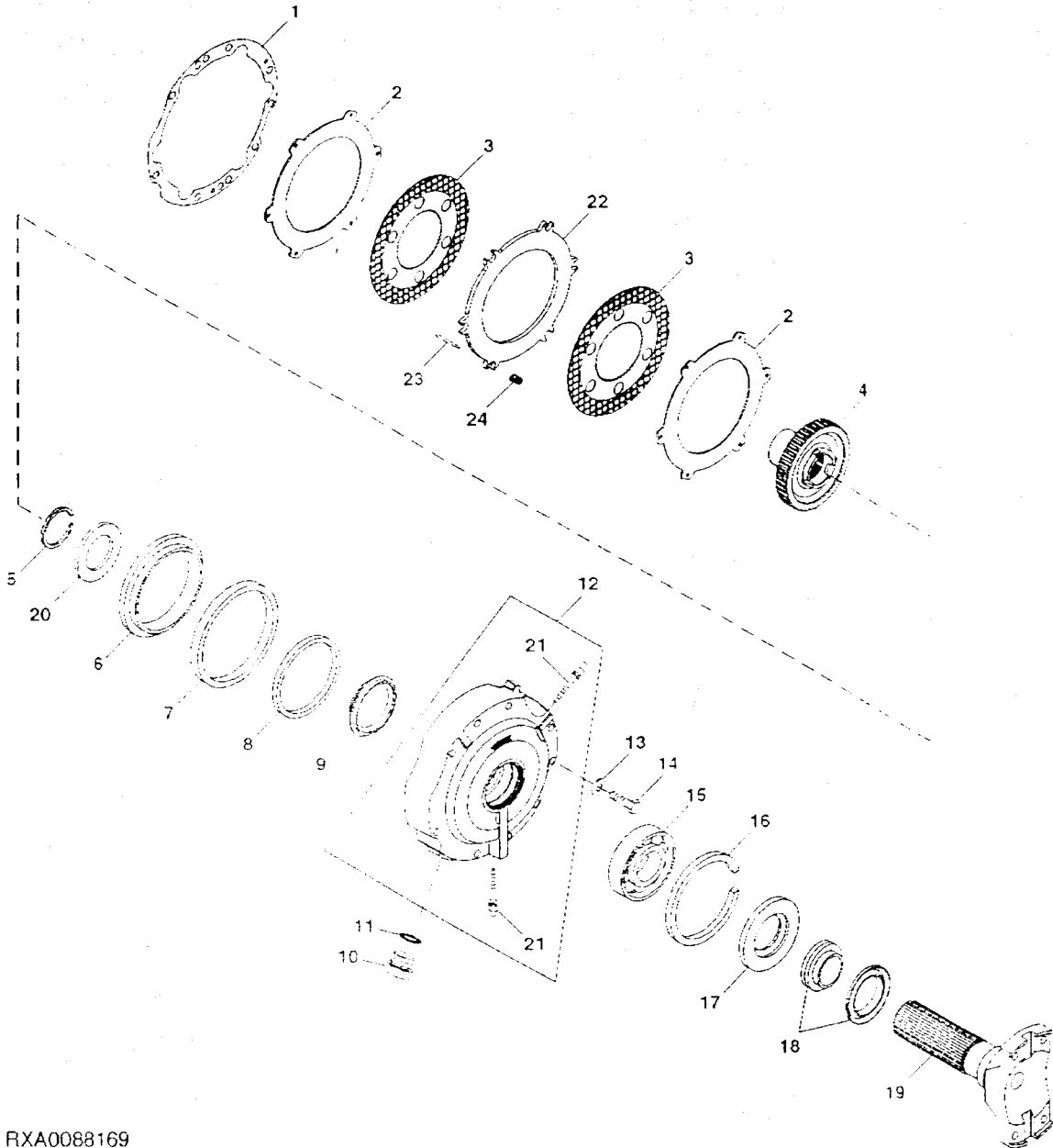
THIS PARTS LISTING IS CONTINUED

55-22

JOHN DEERE INDEPENDENT LINK SUSPENSION

DIFFERENTIAL COVER (R.H.) (W/ BRAKES) (50K/IVT/EV)
COUVERCLE DE DIFFERENTIEL (R.H.) (W/ FREINS) (50K/IVT/EV)
DIFFERENTIALDECKEL (R.H.) (W/ BREMS) (50K/IVT/EV)
COPERCHIO DEL DIFFERENZIALE (R.H.) (W/ FRENI) (50K/IVT/EV)
CUBIERTA DEL DIFERENCIAL (R.H.) (W/ FRENOS) (50K/IVT/EV)
DIFFERENTIALSKYDD (R.H.) (W/ BROMS) (50K/IVT/EV)

RXA0088169 -UN-10APR06



RXA0088169

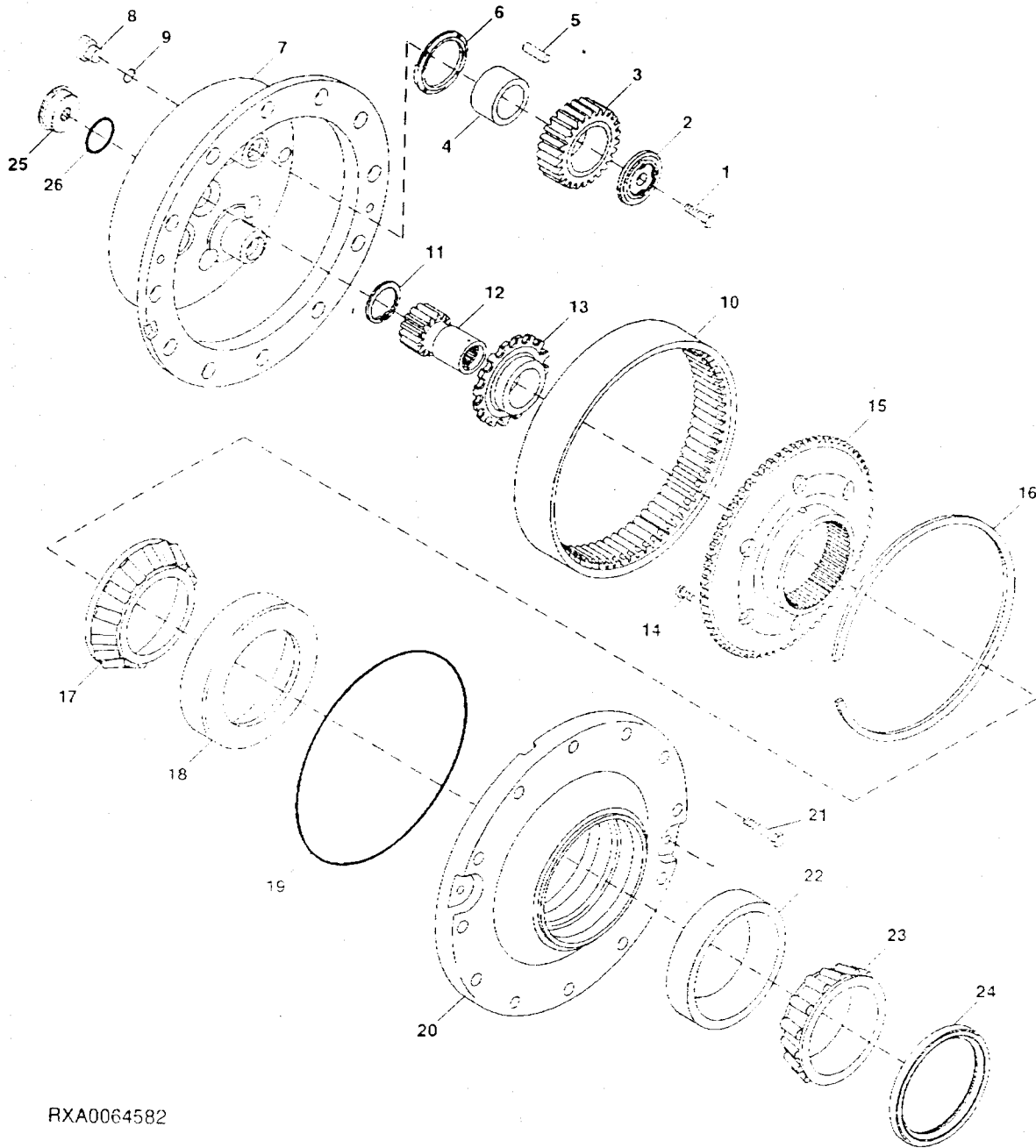
THIS PARTS LISTING IS CONTINUED

55-32

JOHN DEERE INDEPENDENT LINK SUSPENSION

FINAL DRIVE
REDUCTEUR
ENDANTRIEB
COPPIA CONICA
MANDO FINAL
NSKSCRLBSRCL

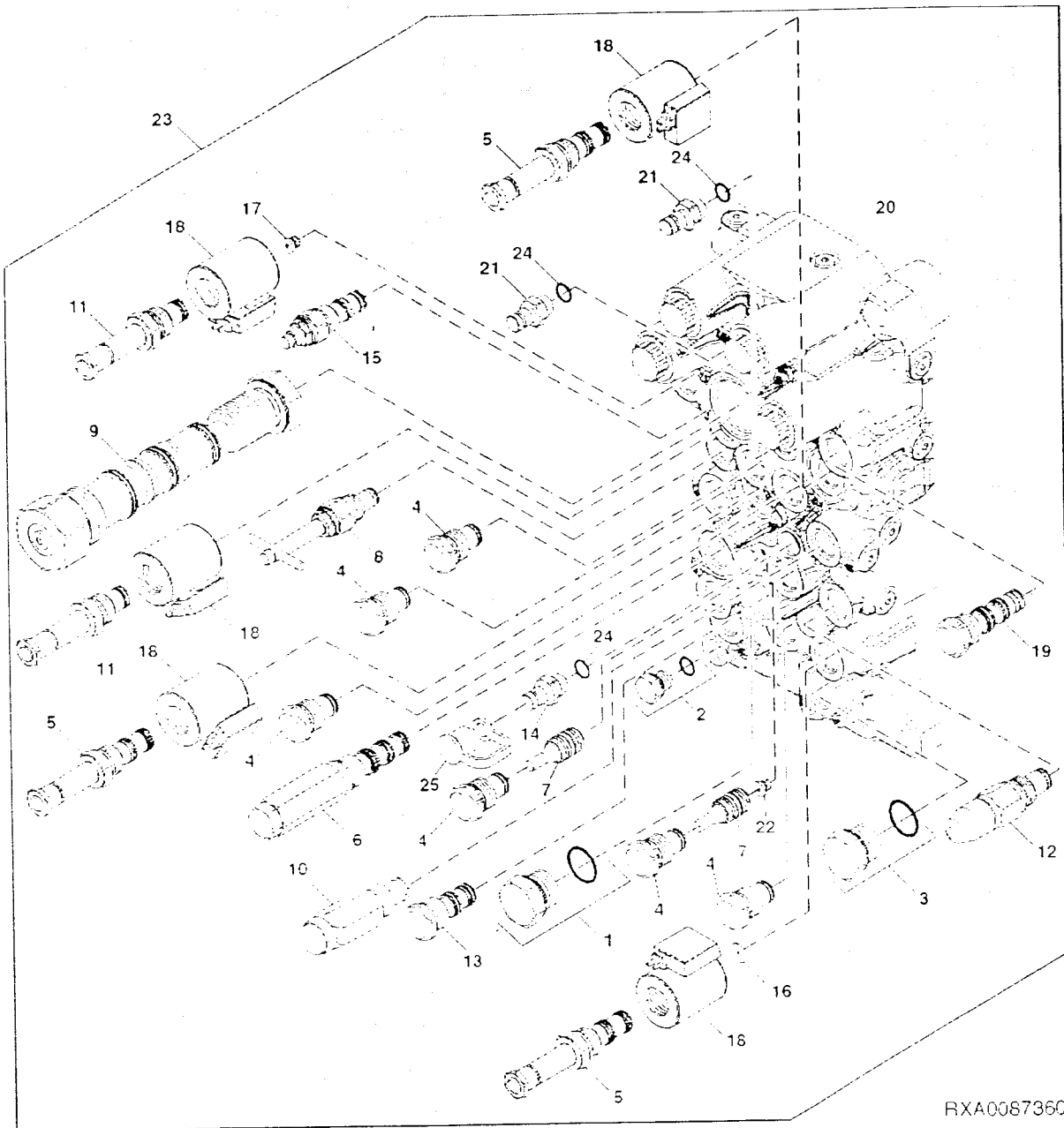
RXA0064582 -UN-09JAN03



RXA0064582

CONTROL VALVE MANIFOLD
 TESTEUR DE PRESSION A VANNE DE COMMANDE
 STEUERVERTIL-VERTEILERGEHAEUSE
 COLLETTORE VALVOLA DI COMANDO
 COLECTOR DE VALVULA DE CONTROL
 MANOEVERVENTILFOERDELARE

RXA0087360 -UN-27FEB06

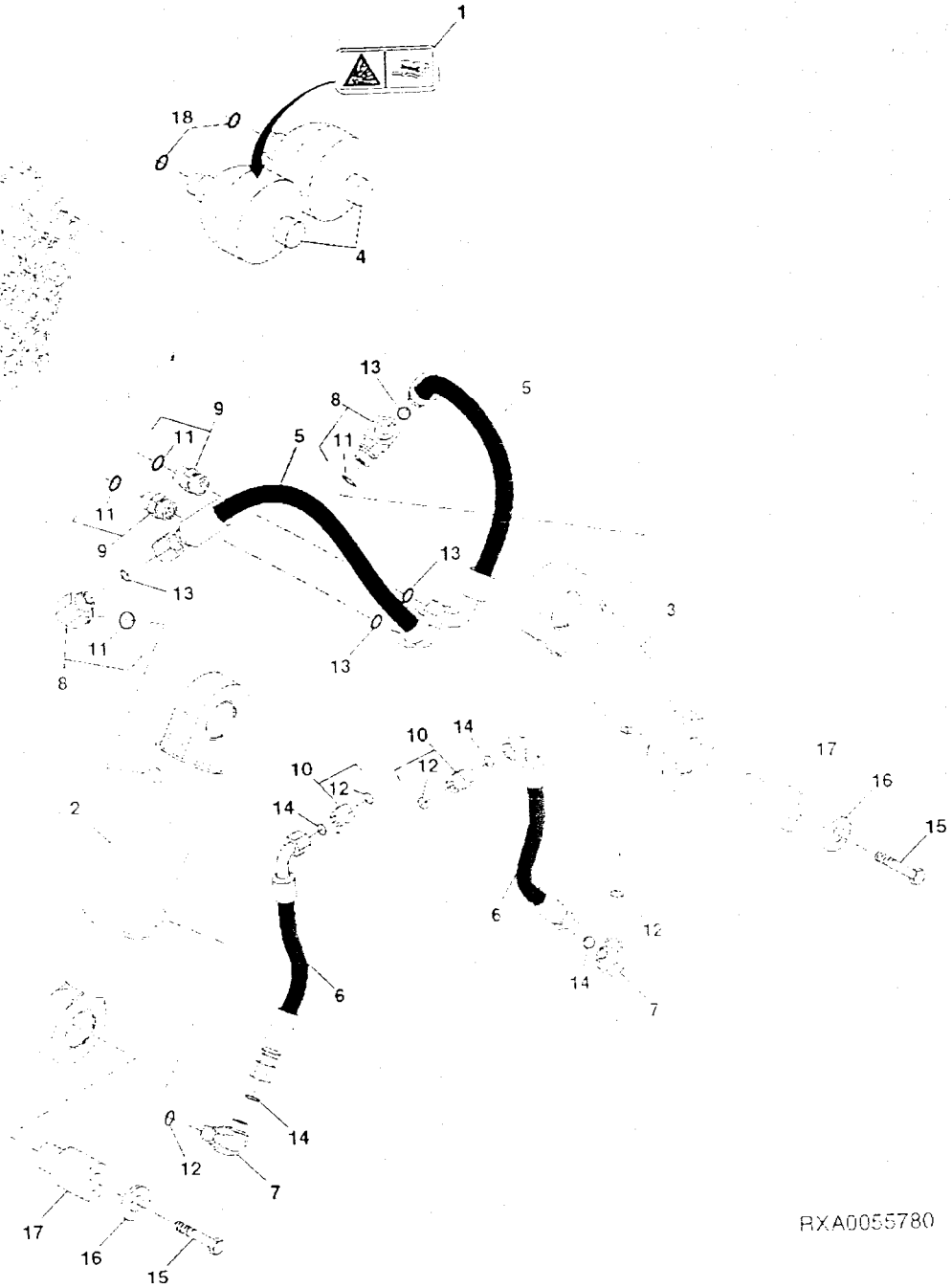


THIS PARTS LISTING IS CONTINUED

INDEPENDENT LINK SUSPENSION CYLINDER/ACCUMULATOR
VERIN DE SUSPENSION A BRAS INDEPENDANT/ACCUMULATEUR
EINZELRADAUFHAENGUNGS-ZYLINDER/DRUCKSPEICHER
CILINDRO SOSPENSIONE AD ARTICOLAZIONE INDEPENDENTE/ACCUMULATORE
CILINDRO DE SUSPENSION DE BRAZO INDEPENDIENTE/ACUMULADOR
FJAEDRINGSCYLINDER MED OBEROENDE LAENKSYSTEM/ACKUMUKATOR

RXA0055780

-UN-31AUG01



RXA0055780

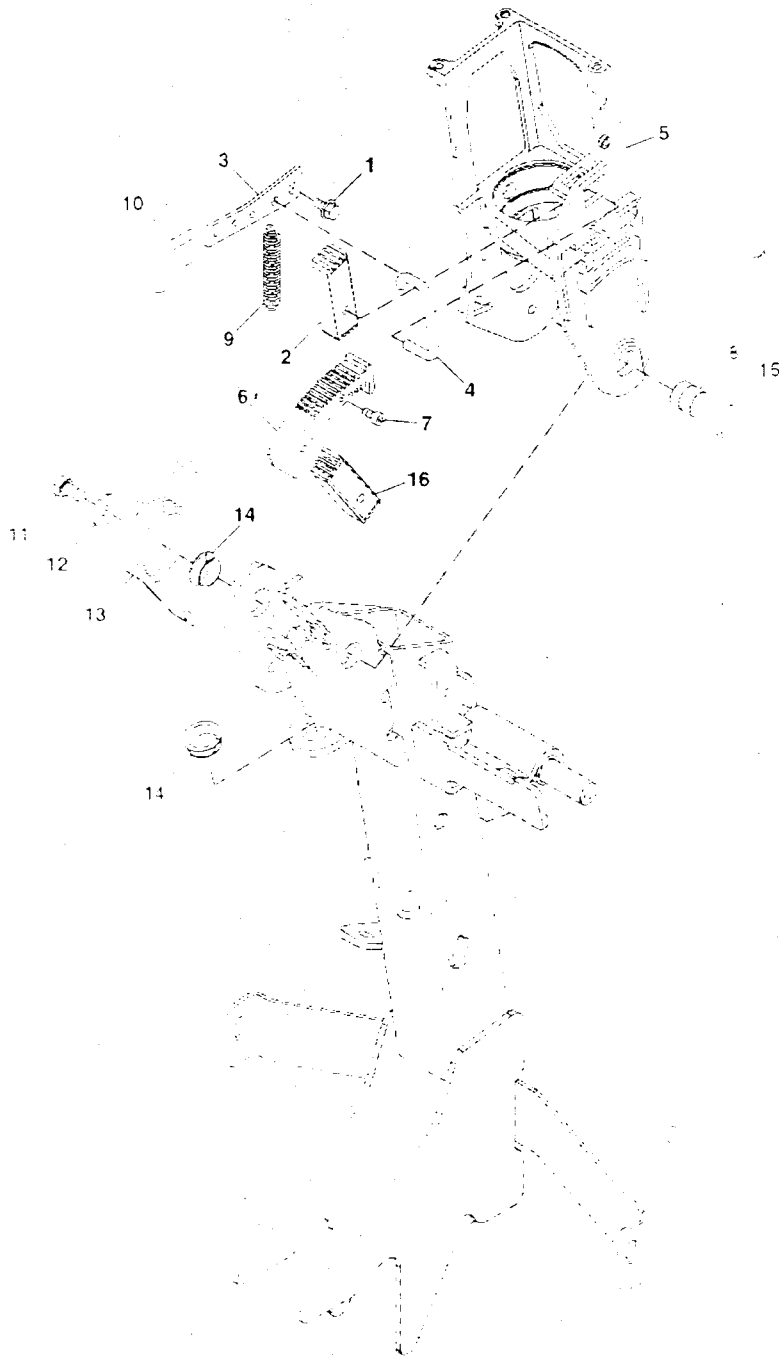
THIS PARTS LISTING IS CONTINUED

8130, 8230, 8330, 8430, 8530 TRACTORS PC9451 (12-APR-06)
P4=552

MEMORANDA
MEMORANDA
MEMORANDA
MEMORANDA
MEMORANDA

STEERING COLUMN PIVOT
COLONNE DE DIRECTION, PIVOT
LENKSAEULEN-GELENKZAPFEN
ARTICOLAZIONE DEL PIANTONE DELLO STERZO
PIVOTE DE COLUMNA DE DIRECCION
RATTSTAANGSTAPP

RXA0066707 UN-15 APR 03



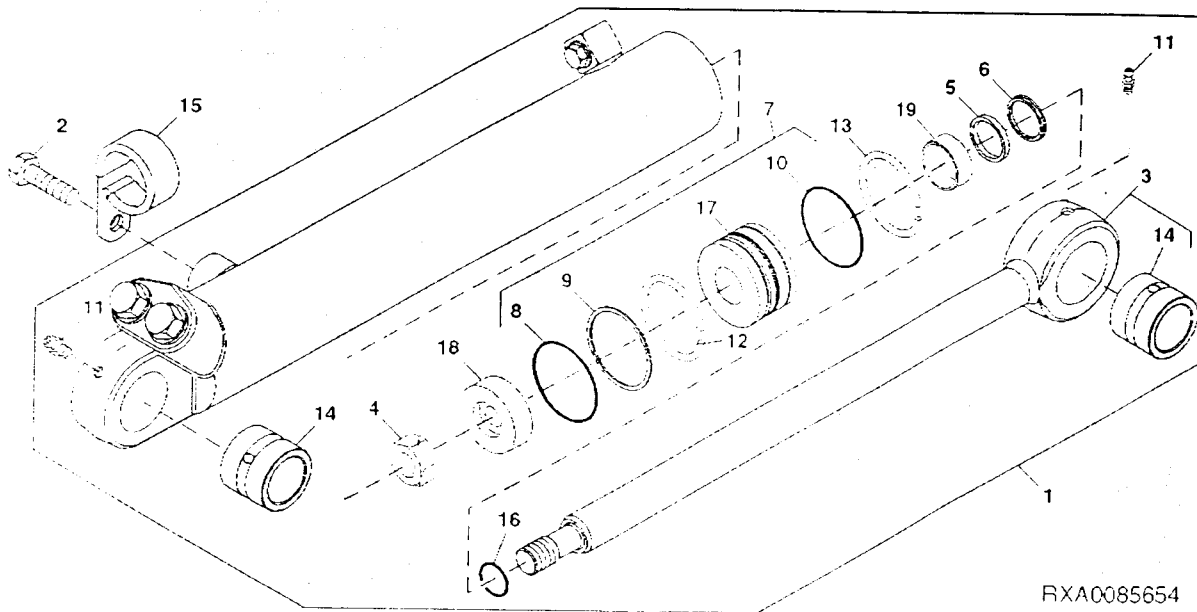
RXA0066707

60-20

STEERING AND BRAKES

STEERING CYLINDER (MFWD)(TSN 001001-)
 VERIN DE DIRECTION (MFWD)
 LENKZYLINDER (MFWD)
 CILINDRO DI GUIDA (MFWD)
 CILINDRO DE LA DIRECCION (MFWD)
 STYRCYLINDER (MFWD)

RXA0085654 -UN-03JAN06



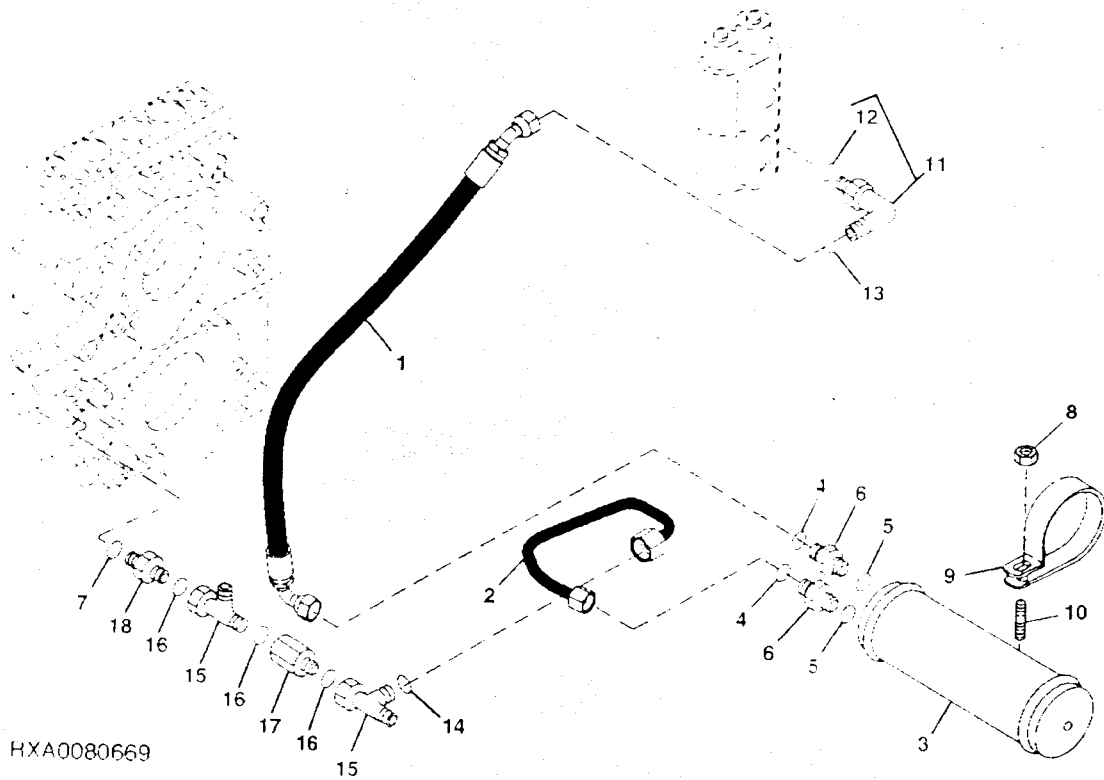
RXA0085654

PART NO.	PART NAME	QTY.	TRACTOR SERIAL NO	REMARKS
RE246378	HYDRAULIC CYLINDER	1	8 8 8	
RE246379	HYDRAULIC CYLINDER	1	1 2 3	
19117283	SCREW	1	3 3 3	
AH219514	ROD	1	0 0 0	M10 X 16
H207111	NUT	1		
H158678	SEAL	1		
H164925	SEAL	1		
AH164325	HYDRAULIC CYLINDER KIT	1		
H155964	O-RING	1		
R78393	BACK-UP RING	1		
M44162	O-RING	1		
JD7798	LUBRICATION FITTING	2		
H164204	SWAP RING	1		
H180243	SNAP RING	1		
R152274	BUSHING	2		
N191965	CLIP	1		
P45750	O-RING	1		
H220533	HYDR. CYLINDER ROD GUIDE	1		
AH206243	PISTON	1		
H151629	WEAR RING	1		

KEY	PART NO.	PART NAME	QTY.	TRACTOR SERIAL NO.	A L L	REMARKS
1	RE210856	CONTROL VALVE	1		X	
2	R26552	BALL	1		X	
3	R124462	PISTON RING	2		X	
4	T42571	BACK-UP RING	2		X	
5	R108037	DRAIN PLUG	1		X	
6	N191770	ORIFICE	1		X	
7	R108038	DRAIN PLUG	2		X	
8	R108066	O-RING	2		X	
9	R223259	PLUG	2		X	
10	R108045	VALVE SEAT INSERT	1		X	
11	R124478	SHEAR PIN	2		X	
12	19M7166	CAP SCREW	4		X	M10 X 20
13	51M7041	O-RING	3		X	11.300 X 2.200 MM
14	R108041	SEAL	2		X	
15	R124464	SEAL	2		X	5 X 24 MM
16	25M7039	GROOVE PIN	2		X	
17	R60755	NEEDLE ROLLER	2		X	
18	R108062	PLUG	2		X	
19	T77932	O-RING	2		X	
20	RE60531	KIT	1		X	
21	R132840	PLUG	1		X	
22	R132841	VALVE SEAT INSERT	1		X	
23	R108051	PISTON	1		X	
24	R30903	O-RING	2		X	
25	R113057	PACKING	2		X	
26	R26287	O-RING	1		X	
27	R26448	O-RING	1		X	
28	U17409	O-RING	2		X	
29	51M7045	O-RING	1		X	19.300 X 2.200 MM
30	51M7043	O-RING	1		X	15.300 X 2.200 MM
31	R113061	BALL	1		X	
32	R28776	O-RING	1		X	
33	R132843	SPRING	1		X	
34	RE228330	KIT	2		X	
35	R124463	SEAL	2		X	
36	RE159217	KIT	2		X	
37	R159216	PISTON	1		X	
38	R124475	SPCOL	1		X	
39	RE155450	KIT	1		X	

BRAKE VALVE ATTENUATOR
 ATTENUATEUR DE DISTRIBUTEUR DE FREIN
 BREMSVENTIL-DAEMPFER
 ATTENUATORE VALVOLA DEFRENOS
 ATENUADOR DE VALVULA DE FRENOS
 BROMSVENTILDAEMPAE

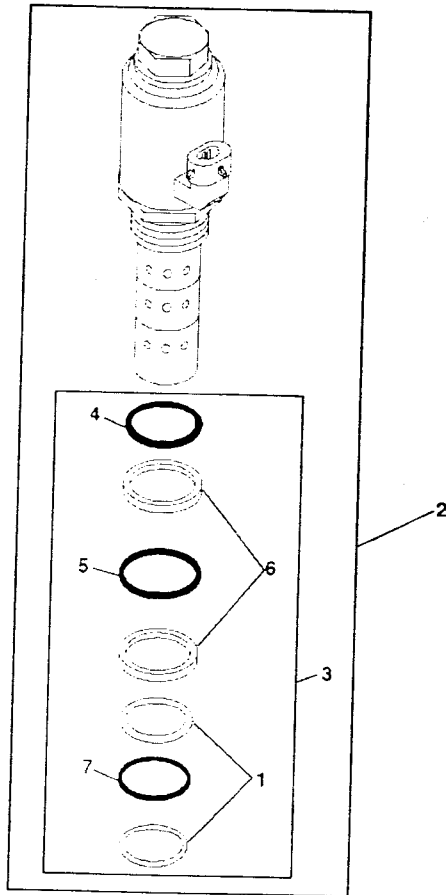
RXA0080669 UN-05MAY05



HXA0080669

SECONDARY BRAKE SOLENOID VALVE (EUROPEAN VERSION)
 ELECTROVANNE DE FREIN AUXILIARE (VERSION EUROPEENNE)
 HANDBREMSEMAGNETVENTIL (EUROPÄISCHE AUSFÜHRUNG)
 VALVOLA A SOLENOIDE DE FRENO AUXILIAR (VERSIONE EUROPEA)
 VALVULA DE SOLENOIDE DE FRENO AUXILIAR (VERSION EUROPEA)
 HANDBROMSENS MAGNETVENTIL (EUROPEISK VERSION)

RXA0080673 -UN-05MAY05



RXA0080673

AIR BRAKE COUPLERS (NORTH AMERICAN VERSION)
FREINS A AIR COMPRIME. RACCORDS (VERSION NORD AMERICAINE)
DRUCKLUFTBREMSE, KUPPLUNGEN (NORDAMERIKANISCHE AUSFUEHRUNG)
FRENO AD ARIA COMPRESSA. RACCORDI (VERSIONE NORDAMERICANA)
FRENO NEUMATICO, ACOPLADORES (VERSION NORTEAMERICANA)
TRYCKLUFTSBROMS, KOPPLINGAR (NORDAMERIKANSK VERSION)

RXA0078679 -UN-24JUN05

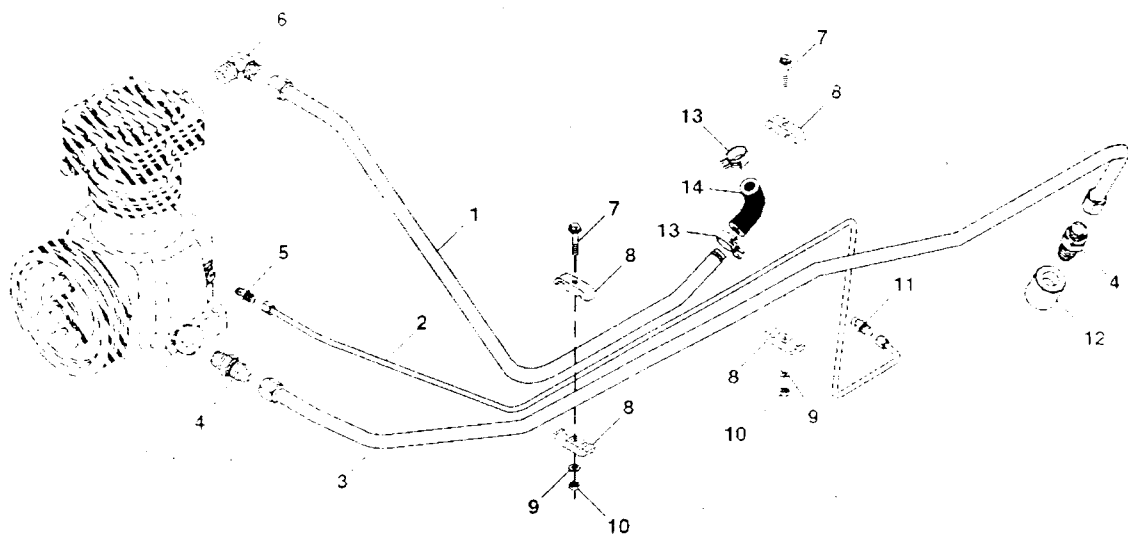


RXA0078679

THIS PARTS LISTING IS CONTINUED

AIR BRAKE LINES (FRONT)
 CONDUITE DE FREIN A AIR COMPRIE (AVANT)
 DRUCKLUFTBREMSLEITUNG (VORN)
 LINEA DEL FRENO AD ARIA COMPRESSA (ANTERIORE)
 LINEA DE FRENOS NEUMATICOS (FRENTE)
 TRYCKLUFTSBROMSLEDNING (FRAM)

RXA0080671 UN-05MAY05



RXA0080671

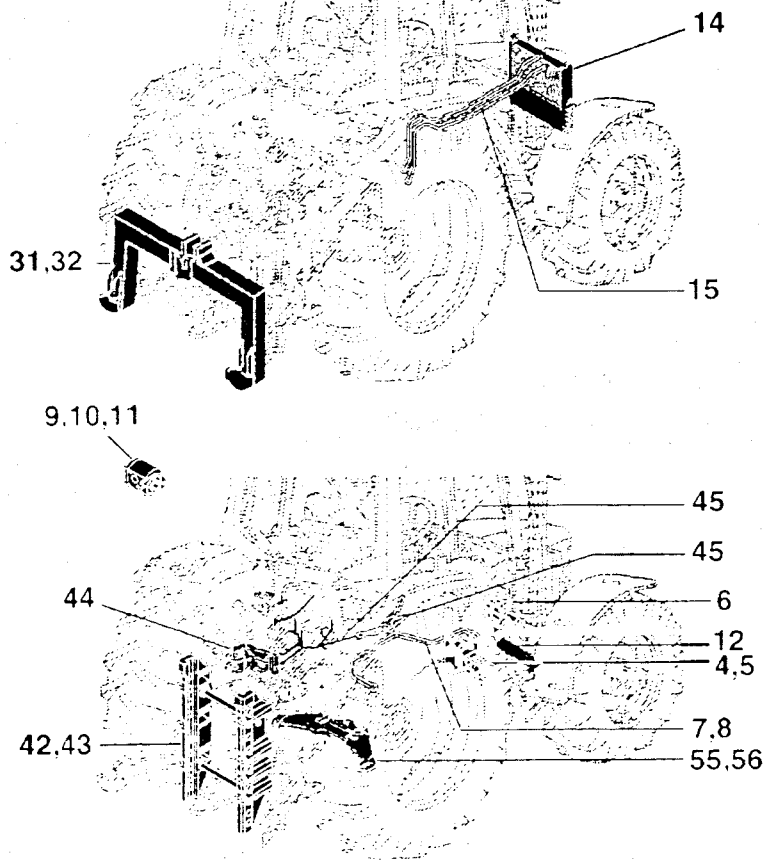
THIS PARTS LISTING IS CONTINUED

70-A04

HYDRAULICS

SECTIONAL INDEX
 INDEX DE SECTION
 GRUPPENINDEX
 SECTIONAL INDEX
 INDICE DE SECCION
 GRUPPSFORTECKNING

RXA0084356 -UN-



4-	6
5-	8
6-	10
6-	12
6-	14
7-	16
7-	18
8-	20
8-	22
8-	24
9-	26
10-	27
11-	28
12-	29
14-	31
15-	32
31-	62
32-	64
42-	84
43-	86
44-	88
45-	90
45-	92
55-	112
56-	114

RXA0084356

KEY	PART NO.	PART NAME	QTY.	PUMP SERIAL NO.	A L L	REMARKS
	RE211014	SEAL KIT	1		X	

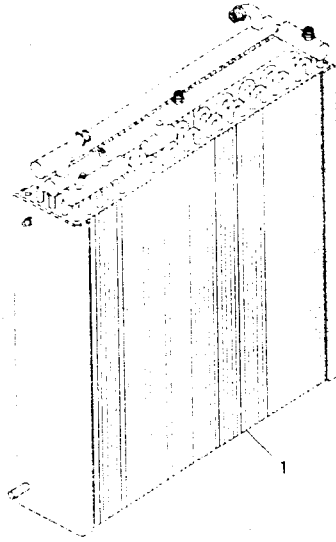
KEY	PART NO.	PART NAME	QTY.	TRACTOR SERIAL NO.	A L L	REMARKS
1	T77858	O-RING	1		X	
2	38H5129	ELBOW FITTING	1		X	
3	51M7047	O-RING	1		X	
4	RE255375	OIL LINE	1		X	(STC)
5	62M1004	ADAPTER FITTING	1		X	
6	RE254625	OIL LINE	1		X	(STC)
7	RE243543	OIL LINE	1		X	(STC)
8	62M1002	ADAPTER FITTING	2		X	(A)
9	19M7805	SCREW	1		X	M10 X 45, HS 10.9
10	R221778	PLATE	1		X	
11	R221774	HALF CLAMP	2		X	
12	51M7048	O-RING	1		X	
13	RE251325	HOSE FITTING	1		X	
14	T76938	O-RING	5		X	
15	RE255374	OIL LINE	1		X	
16	19M7801	SCREW	2		X	M8 X 60
17	H112567	PLATE	4		X	
18	H135155	CLAMP	2		X	
19	14M7298	FLANGE NUT	2		X	M8
20	RE243541	OIL LINE	1		X	(STC)
21	RE242525	OIL LINE	1		X	(B)
22	RE215902	OIL LINE	1		X	(STC)
23	62M1000	ADAPTER FITTING	1		X	(A)
24	A4540R	O-RING	1		X	
25	RE253175	TUBE	1		X	
26	19M7866	SCREW	2		X	M8 X 20, HS 10.9
27	R109982	O-RING	1		X	
28	F3450R	O-RING	2		X	
29	R235932	FLANGE	1		X	
30	19M7785	SCREW	2		X	M10 X 25, HS 10.9
31	R236188	OIL LINE	1		X	
32	R216724	SCREEN	1		X	
33	RE243523	OIL LINE	1		X	
34	38H5006	ADAPTER FITTING	3		X	
35	51M7048	O-RING	3		X	
36	T27550	CLIP	1		X	
37	H115379	CLAMP	2		X	
38	RE243524	OIL LINE	1		X	
39	R213663	CLAMP	1		X	
40	RE242517	HYDRAULIC HOSE	1		X	
41	AL159974	CHECK VALVE	1		X	
42	T77814	O-RING	1		X	
43	38H5025	ELBOW FITTING	1		X	
44	51M7041	O-RING	1		X	
45	RE228034	CHECK VALVE	1		X	
46	T77813	O-RING	2		X	
47	51M7041	O-RING	1		X	
48	38H5140	TEE FITTING	1		X	
49	51M7047	O-RING	1		X	
50	T77832	O-RING	2		X	
51	RE242519	HYDRAULIC HOSE	1		X	

(A) TO CONNECT STC TO O-RING FACE SEAL
 POUR BRANCHER STC AU RACCORD D'ETANCHEITE A JOINT TORIQUE A FACE
 ZUM ANSCHLIESSEN VON STC AN O-RING-FLACHDICHTUNG
 PER COLLEGAMENTO DELL'STC ALLO-RING
 PARA CONECTAR STC A SELLO CON ANILLO "O"
 ANSLUTER STC TILL O-RINGSTAETNING

(B) LOAD SENSE
 DETECTION DE CHARGE
 PILOTDRUCK
 RILEVAMENTO DEL CARICO
 DETECCION DE CARGA
 BELASTNINGSAVKAENNING

HYDRAULIC OIL COOLER
 REFROIDISSEUR D'HUILE
 OELKUEHLER
 RADIATORE ALIO
 REFRIGERADOR DE ACEITE
 OLJEKYLARE

RXA0080661 -UN-04MAY05

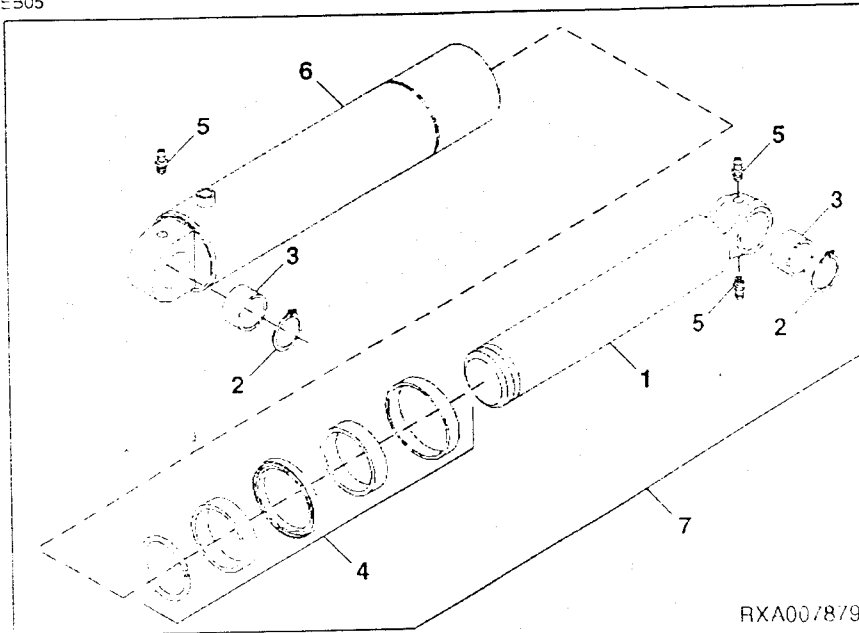


RXA0080661

KEY	PART NO.	PART NAME	QTY.	TRACTOR SERIAL NO	A L L	REMARKS
1	RE222984	MODULE	1		X	

LIFT CYLINDER (90 MM)
 VERIN DE RELEVAGE (90 MM)
 HUBZYLINDER (90 MM)
 CILINDRO DI SOLLEVAMENTO (90 MM)
 CILINDRO DE ELEVACION (90 MM)
 LYFTCYLINDER (90 MM)

RXA0078798 UN-01 FEB05



RXA0078798

KEY	PART NO.	PART NAME	QTY.	TRACTOR SERIAL NO.	REMARKS
				8 8 8	
				1 2 3	
				3 3 3	
				0 0 0	
1	ROD	1	X X X	
2	H211934	SNAP RING	2	X X X	
3	AH208773	BUSHING	2	X X X	
4	AH214612	HYDRAULIC CYLINDER KIT	1	X X X	
5	JD7798	LUBRICATION FITTING	3	X X X	
6	HYDRAULIC CYLINDER BARREL	1	X X X	
7	RE232428	HYDRAULIC CYLINDER	2	X X X	

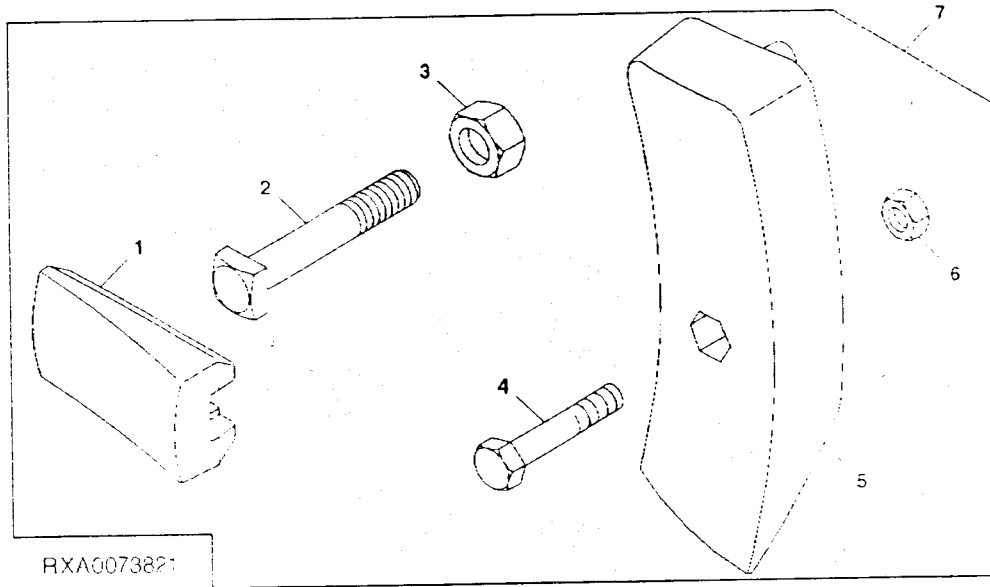
70-54

HYDRAULICS

DRAFT LINK BUMPER AND SWAY BLOCK (HEAVY DUTY KIT)
BUTOIR DE TIRANT ET CALE STABILISATRICE (POUR SERVICE SEV'RE)
UNTERLENKERPUFFER UND STABILISIERUNGSANSCHLAG (SCHWERE AUSFUEHRUNG)
PARAURTI PARALLELE E BLOCCO STABILIZZATORE (PER SERVIZIO PESANTE)
PARACHOQUES Y BLOQUE DE OSCILACION DE ESLABON DE TIRO (SERVICIO SEVERO)
DRAGARMSBUFFERT OCH STABILISERINGSBLOCK (EXTRA KRAFTIG)

RXA0073821

-UN-05MAR04



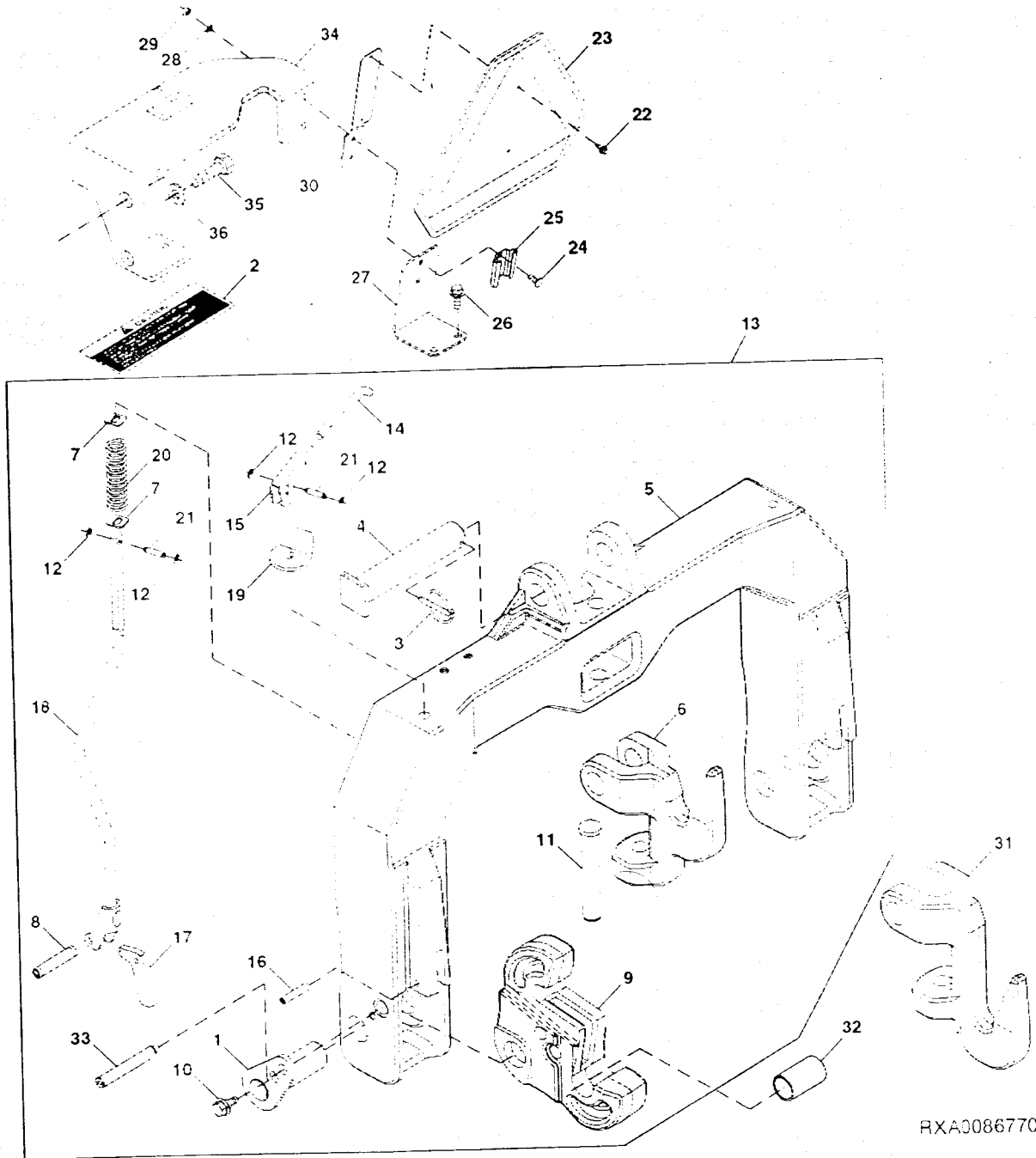
RXA0073821

KEY	PART NO.	PART NAME	QTY.	TRACTOR SERIAL NO.	A L L	REMARKS
1	R207661	BUMPER	2		X	
2	R174703	BOLT	2		X	
3	14M7554	LOCK NUT	2		X M20	
4	19M6824	CAP SCREW	2		X M16 X 120	
5	R207665	SWAY BLOCK	1		X RH	
	R207666	SWAY BLOCK	1		X LH	
6	14M7328	LOCK NUT	2		X M16	
7	RE223545	KIT	1		X	

IMPLEMENT QUICK COUPLER (CATEGORY IV)
ACCOUPLMENT RAPIDE (CATEGORIE IV)
SCHNELLANSCHLUSS FUER ANBAUGERAETE (KATEGORIE IV)
ATTACCO RAPIDO PER EQUIPAGGIAMENTO (CATEGORIA IV)
EJECUTE ENGANCHE RAPIDO (CATEGORIA IV)
SNABBKOPPLING FOER REDSKAP (KATEGORI IV)

RXA0086770

-UN-20FEB06



RXA0086770

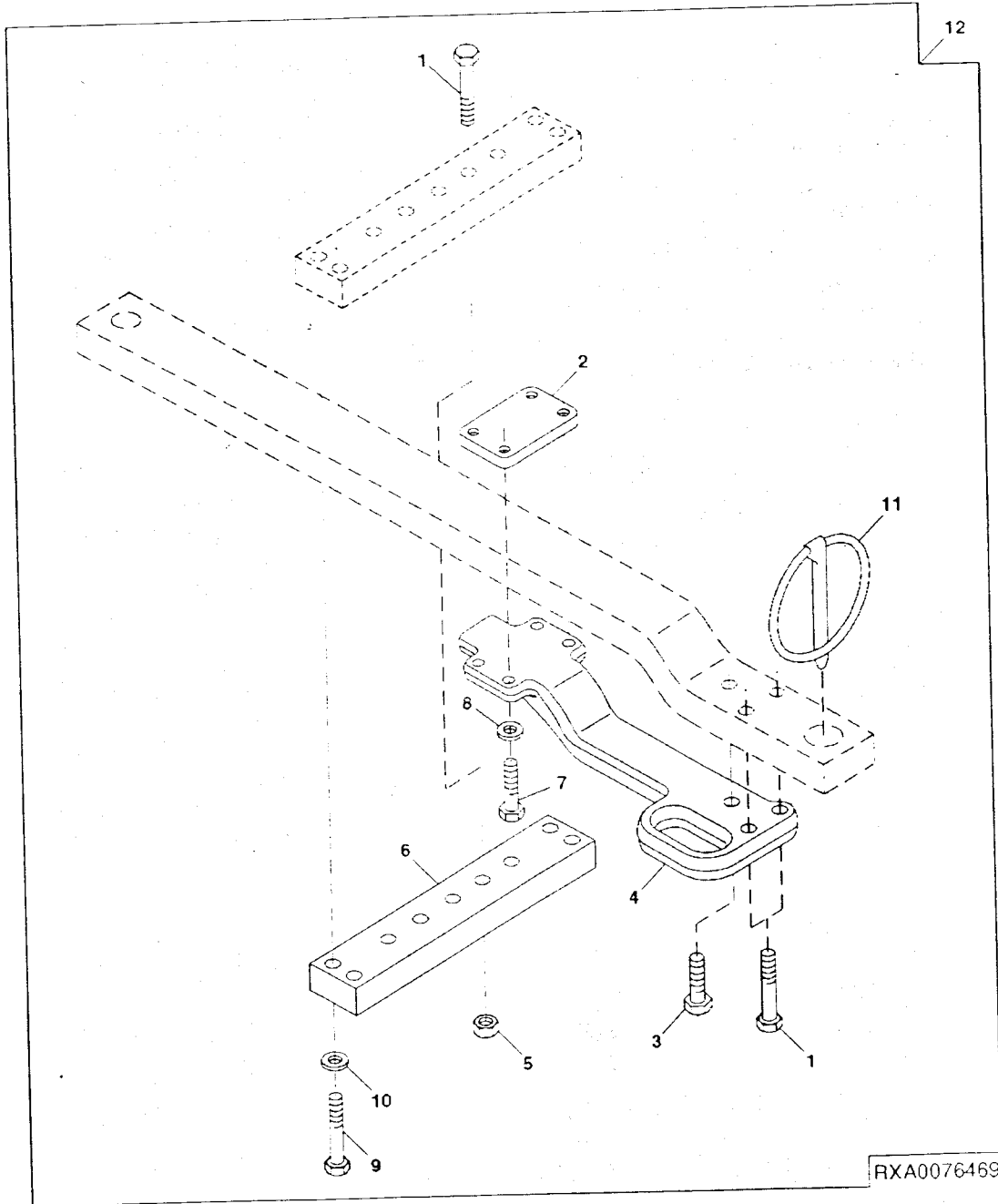
THIS PARTS LISTING IS CONTINUED

8130, 8230, 8330, 8430, 8530 TRACTORS PC9451 (12-APR-06) PN=714

DRAWBAR CONVERSION KIT (CATEGORY IV TO CATEGORY IV HEAVY DUTY)
JEU DE BARRE D'ATTELAGE COURANTE (CATEGORIE IV A CATEGORIE IV POUR SERVICE SEVERE)
REGULAERES ZUGPENDELSATZ (VON KATEGORIE IV AUT KATEGORIE IV SCHWERE AUSFUEHRUNG)
KIT BARRA DI TRAINO REGOLARE (DA CATEGORIA IV A CATEGORIA IV PER SERVIZIO PESANTE)
JUEGO DE BARRA DE TIRO REGULAR (DE CATEGORIA IV A CATEGORIA IV SERVICIO SEVERO)
STANDARDDRAGBOMSATS (KATEGORI IV TILL KATEGORI IV EXTRA KRAFTIG)

RXA0076469

-UN-08JUL05



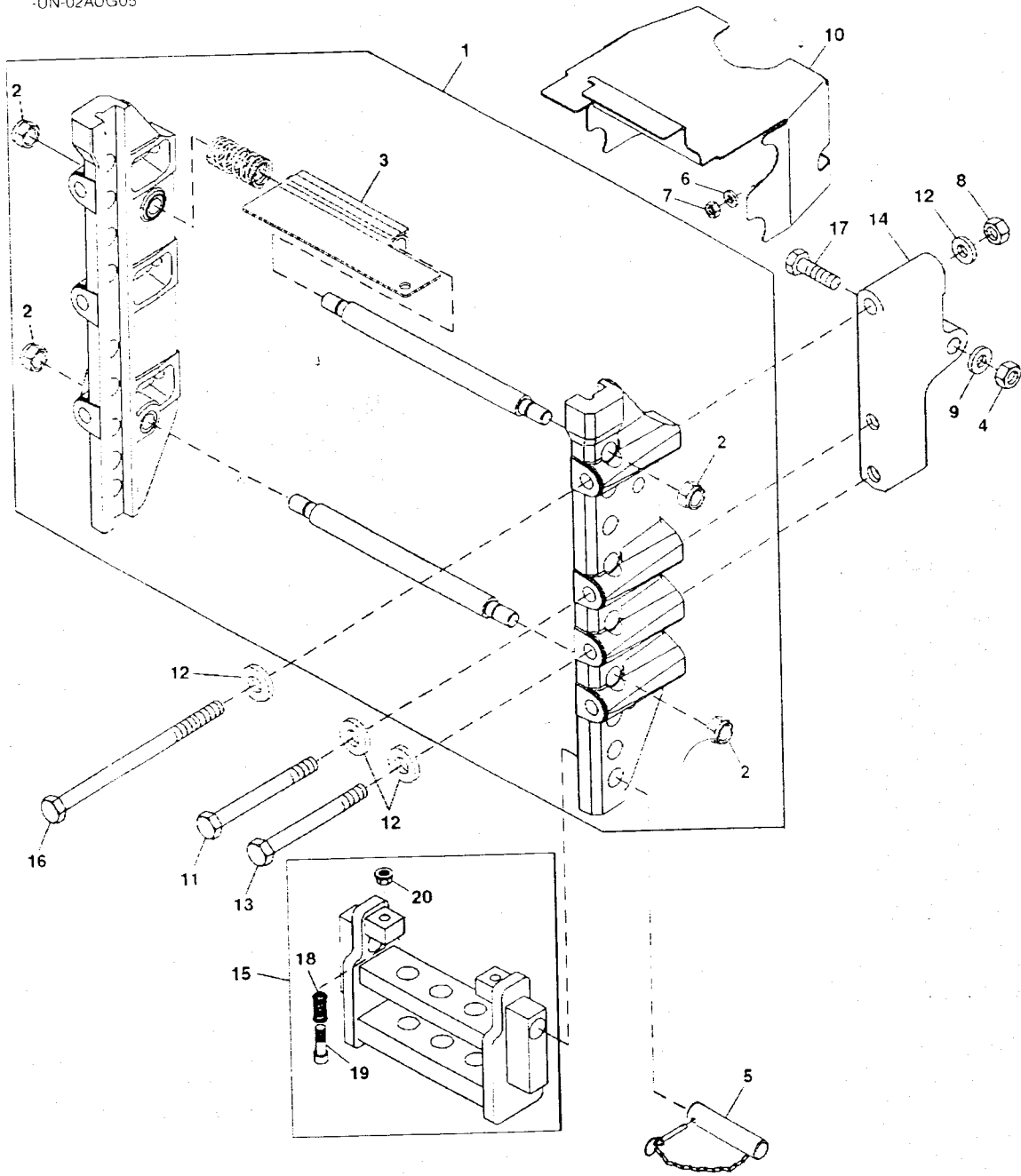
THIS PARTS LISTING IS CONTINUED

8130, 8230, 8330, 8430, 8530 TRACTORS PC9451 (12-1PR-06)
SA=724

WAGON HITCH BRACKETS
SUPPORTS D'ATTELAGE DE CHARIOT
ANHAENGEVORRICHTUNGS-HALTERUNGEN
STAFFE DI ATTACCO DEL CARRO
SOPORTES DEL ENGANCHE DEL CARRO
DRAGANORDNINGSFAASTEN

RXA0077358

-UN-02AUG05



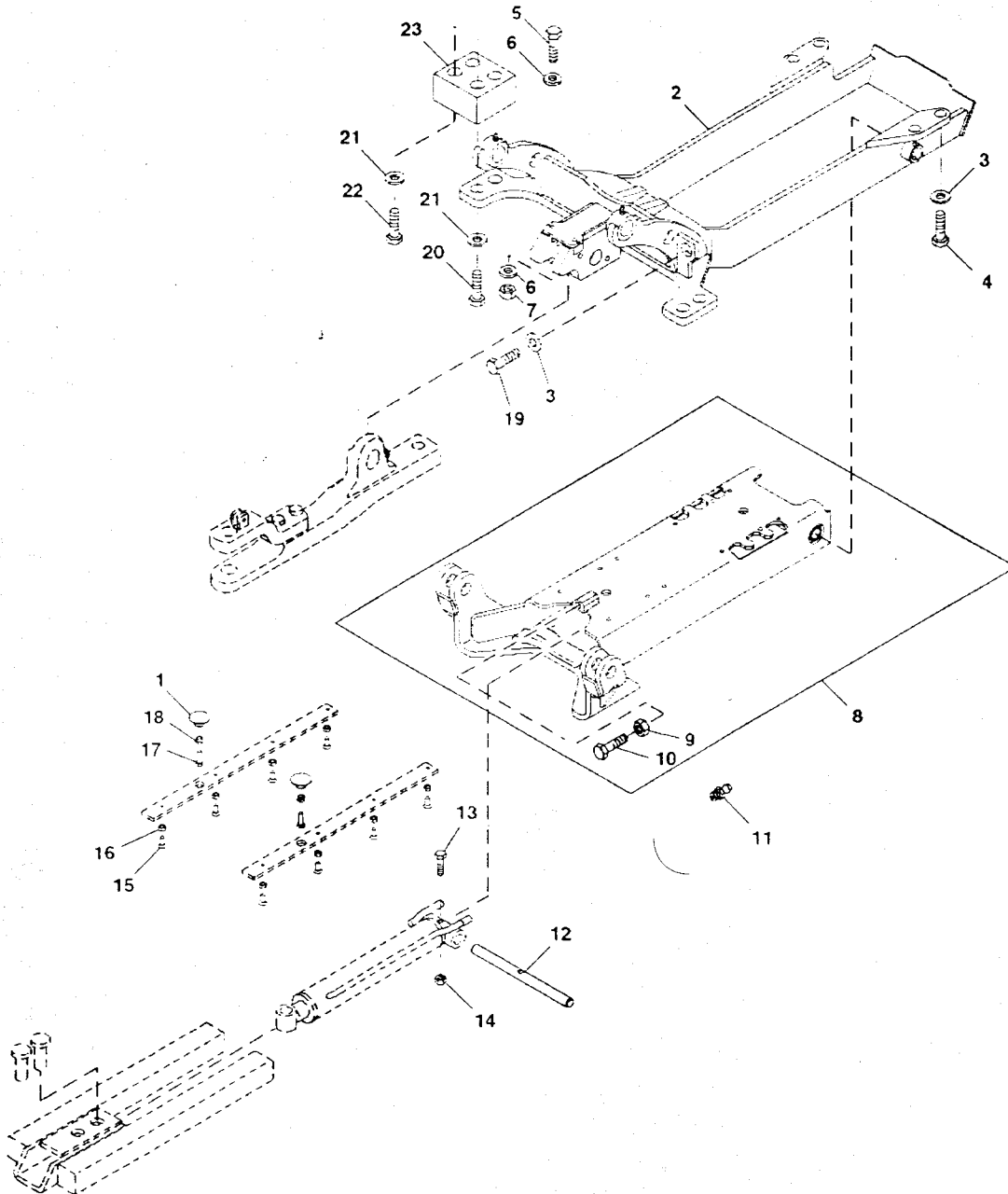
RXA0077358

70-94

HYDRA...CS

PICK-UP HITCH
ATELAGE TELESCOPIQUE
PICK-UP ANHAENGEVORRICHTUNG
ATTACCO TELESCOPICO
ENGANCHE EXTENSIBLE
UTSKJUTBAR DRAGANORDNING

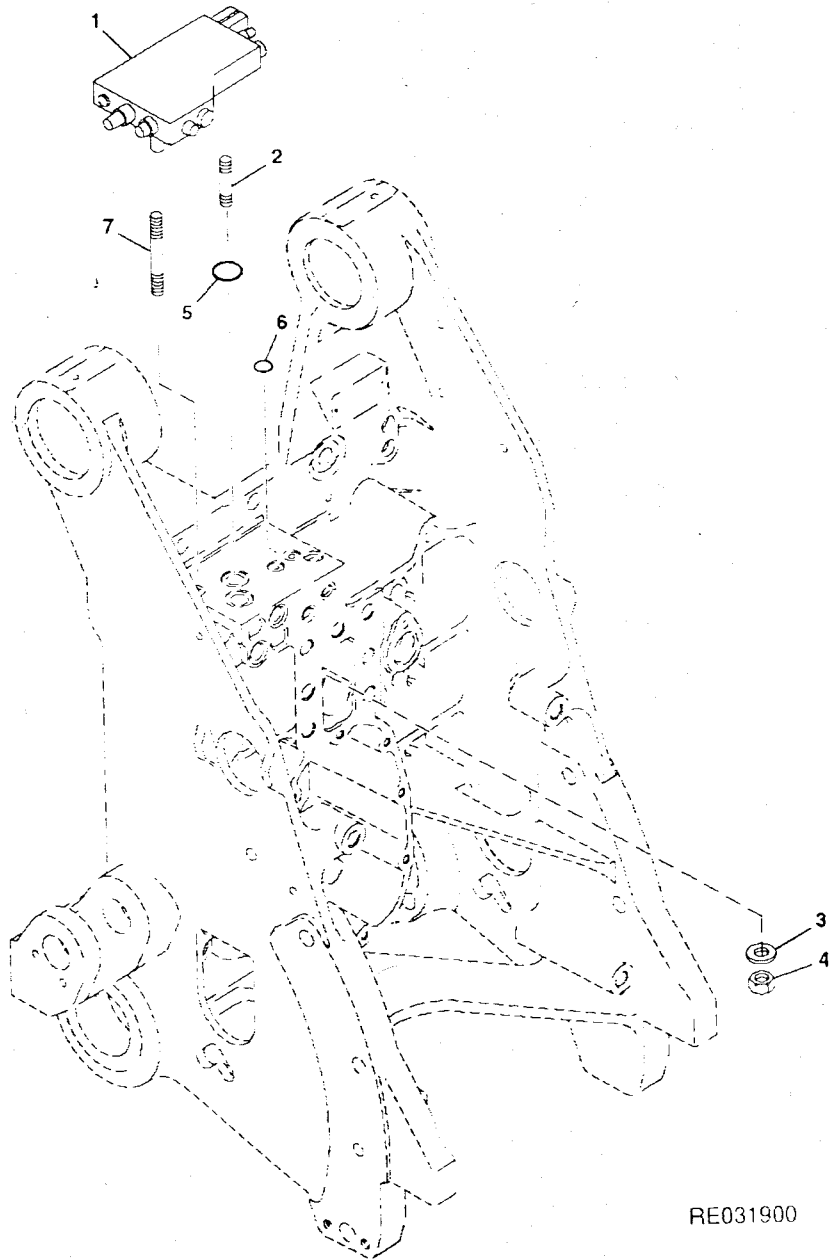
RXA0084462 -UN-06OCT05



RXA0084462

MOUNTING PARTS (HITCH VALVE)
 PIECES D'ADAPTATION (SOUPAPE D'ATTELAGE)
 ANBAUTEILE (ANHAENGEVORRICHTUNGSVENTIL)
 PEZZI DI MONTAGGIO (VALVOLA DEL SOLLEVATORE)
 PIEZAS DE MONTAJE (VALVULA DEL ENGANCHE)
 MONTERINGSDELAR (LYFT, VENTIL)

RE031900 UN-10JUL00



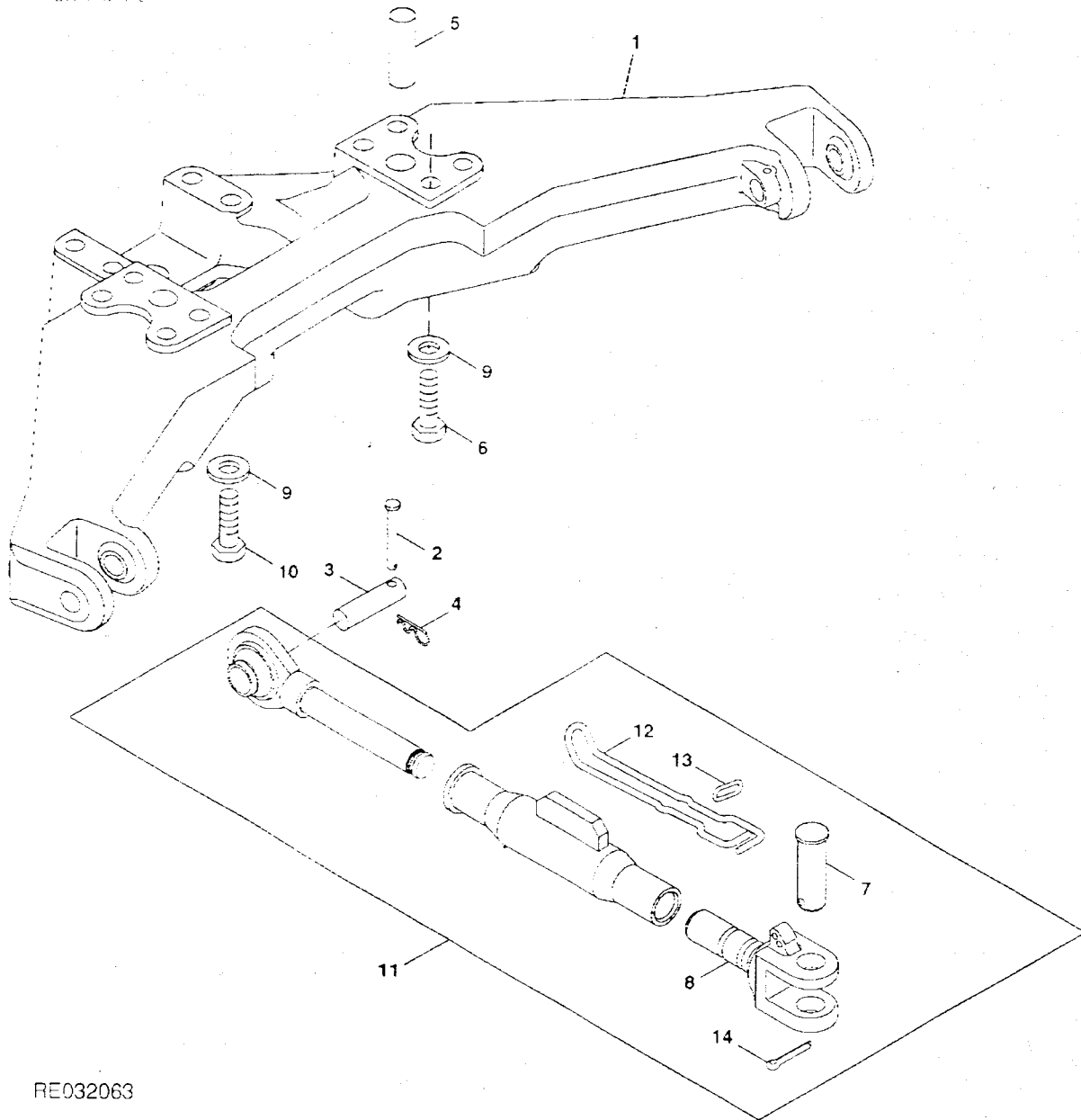
RE031900

THIS PARTS LISTING IS CONTINUED

8130, 8230, 8330, 8430, 8530 TRACTORS PC9451 (12-APR-06)
 PN=752

HITCH STABILIZER (EUROPEAN VERSION)
 STABILISATEUR D'ATTELAGE (VERSION EUROPEENNE)
 ANHAENGEVORRICHTUNG-STABILISATOR (EUROPAEISCHE AUSFUEHRUNG)
 STABIZZATORE DELL'ATTACCO (VERSIONE EUROPEA)
 ESTABILIZADOR DEL ENGANCHE (VERSION EUROPEA)
 LYFTSTABILISATOR (EUROPEISK VERSION)

RE032183 JUN-17MAY01



RE032063

THIS PARTS LISTING IS CONTINUED

KEY	PART NO.	PART NAME	QTY	TRACTOR SERIAL NO	A L L	REMARKS
1	RE221284	FIELD INSTALLATION KIT	1		X	
2	R216791	BRACKET	1		X	
3	R317788	SCREW	2		X	M12 X 25
4	24M7095	WASHER	4		X	8.400 X 15 X 1.600 MM
5	19M7274	CAP SCREW	2		X	M8 X 70
6	12M7065	LOCK WASHER	2		X	8 MM
7	13M7273	NUT	2		X	M8
8	RE216940	VALVE	1		X	
9	RE190805	DIAGNOSTIC COUPLING	1		X	
10	51M7041	O-RING	4		X	11.300 X 2.200 MM
11	R77175	COVER	1		X	
12	RE220077	PRESSURE GAUGE	1		X	
13	RE219698	HYD. QUICK-CONNECT COUPLER	1		X	(C)
14	R196840	RING	1		X	(A) (C) (INCLUDES T11899 AND (2) R133794)
15	RE58763	SPACER	1		X	(B) (C)
	RE213458	SPACER	1		X	
16	38H5037	ADAPTER FITTING	3		X	
17	T77613	O-RING	5		X	
18	RE216480	HYDRAULIC HOSE	1		X	(C)
19	38H5145	ELBOW FITTING	2		X	(C) 11.300 X 2.200 MM
20	51M7041	O-RING	1		X	
21	RE49091	FITTING	1		X	
22	RE216481	HYDRAULIC HOSE	1		X	
23	T77814	O-RING	3		X	
24	38H1159	ADAPTER FITTING	2		X	
25	R28782	O-RING	3		X	
26	RE219269	HYD. QUICK-CONNECT COUPLER	2		X	
27	RE216479	HYDRAULIC HOSE	1		X	(D)
28	38H1003	ELBOW FITTING	1		X	
29	R130962	PLATE	1		X	
30	R112653	GROMMET	1		X	
31	37M7162	SCREW	4		X	
32	RE220015	WIRING HARNESS	1		X	
33	AM131969	TOGGLE/ROCKER SWITCH	1		X	0.190" X 1/4"
	22H912	SET SCREW	1		X	

(A) NARROW VALVE COVER
CACHE-SOUPAPE ETROITE
SCHMALER VENTILDECKEL
COPERCHIO VALVOLE STRETTO
CUBIERTA DE VALVULAS ESTRECHA
SMALT VENTILLOCK

(C) STANDARD END COVER
COUVERCLE D'EXTREMITE STANDARD
STANDARD-ENDABDECKUNG
COPERTURA STANDARD DELL'ESTREMITA
CUBIERTA DE EXTREMO ESTANDAR
STANDARDAENDSKYDD

(B) WIDE VALVE COVER
CACHE-SOUPAPE LARGE
BREITER VENTILDECKEL
COPERCHIO VALVOLE LARGO
CUBIERTA DE VALVULAS ANCHA
BRETT VENTILLOCK

(D) DELUXE END COVER
COUVERCLE D'EXTREMITE DE LUXE
LUXUS-ENDABDECKUNG
COPERTURA DELUXE DELL'ESTREMITA
CUBIERTA DE EXTREMO DE LUJO
LYXAENDSKYDD

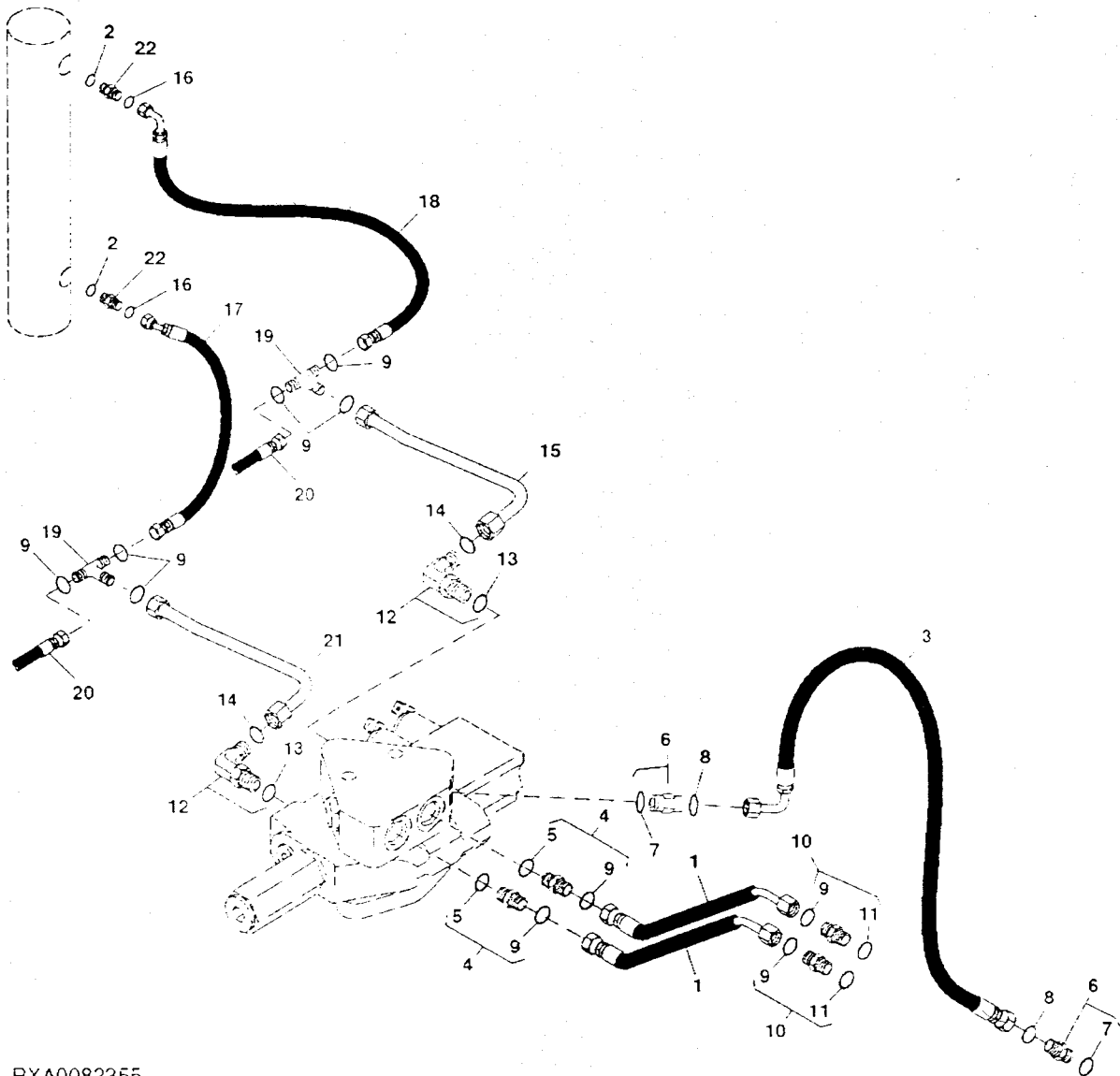
71-15

SELECTIVE CONTROL VALVE

KEY	PART NO.	PART NAME	QTY.	TRACTOR SERIAL NO.	A L L	REMARKS
1	RE238579 AR221648	FIELD INSTALLATION KIT FIELD INSTALLATION KIT	1 1		X X	(4TH SCV) (5TH SCV)

FRONT HITCH LINES
CONDUITES D'ATTELAGE AVANT
FRONTREGELHYDRAULIK-LEITUNGEN
TUBAZIONI ANTERIORI SOLLEVATORE
LINEAS DEL ENGANCHE DELANTERO
LEDNINGAR TILL FRAEMRE LYFT

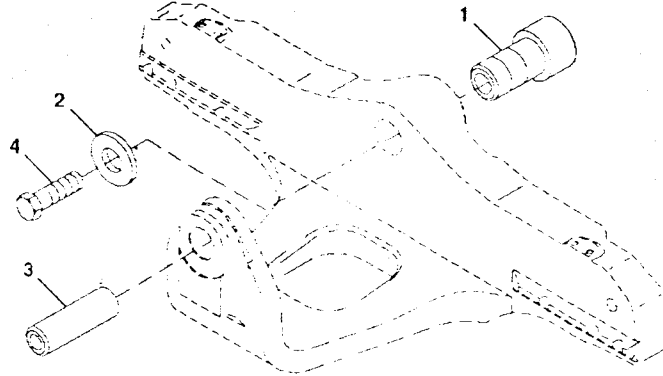
RXA0082355 -UN-19JUL05



RXA0082355

FRONT AXLE CENTER
 PARTIE INTERMEDIAIRE D'ESSIEU AVANT
 VORDERACHS-MITTELSTRUECK
 ASSALE CENTRALE ANTERIORE
 PUENTE CENTRAL DEL EJE DELANTERO
 MITTSEKTION AV FRAMAXELN

RXA0053094 -UN-01MAY01



RXA0053094

KEY	PART NO.	PART NAME	QTY	TRACTOR SERIAL NO.	8 1 3 0	REMARKS
1	R111398	PIN	1		X	
2	R116440	BUSHING	1		X	
3	R73635	BUSHING	1		X	REAR
4	19M8639	CAP SCREW	1		X	M20 X 70. HS 10.9

80-11

WHEELS, FRONT AXLES AND SHEET METAL

KEY	PART NO	PART NAME	QTY.	TRACTOR SERIAL NO.	REMARKS
				8	
				1	
				3	
				0	
1	19M7167	CAP SCREW	4		X M10 X 25
2	24M7040	WASHER	4		X 11 X 20 X 2 MM
3	R136359	CLAMP	2		X
4	19M8503	CAP SCREW	2		X M20 X 160 HS 10.9
5	24M7344	WASHER	4		X 22 X 37 X 3 MM
6	24M7344	WASHER	4		X 22 X 37 X 3 MM
7	14M7277	NUT	4		X M20
8	JD7799	LUBRICATION FITTING	1		X UP
9	JD7798	LUBRICATION FITTING	1		X LOW
10	R31251	WASHER	6		X
11	R52188	BUSHING	2		X
12	34H308	SPRING PIN	1		X 1 1/2" X 1 2"
13	RE58605	AXLE KNEE	1		X RH
14	RE58606	AXLE KNEE	1		X LH
15	R30398	THRUST WASHER	2		X
16	RE71370	KNUCKLE	1		X
17	19M8100	CAP SCREW	2		X M20 X 180. HS 10.9
18	14M7519	NUT	1		X M24. (ALSO ORDER 11M7030)

KEY	PART NO.	PART NAME	QTY.	TRACTOR SERIAL NO.	REMARKS
				8 8	
				4 5	
				3 3	
				0 0	
1	R175576	BOLT	12		X X M16 X 50, HS 10.9
2	AT25226	TIRE VALVE STEM	1		X X
3	RE156605	RIM	1		X X (A) (16.9R28) (18.4R28) (420/84R28) (480/70R28)
	RE214448	RIM	1		X X (A) (F) (USE WITH R196203) (600/70R30) (620/75R30)
	RE171004	RIM	1		X X (A) (E) (600/70R30) (620/75R30) (USE WITH R196203)
	RE221864	RIM	1		X X (A) (14.9R30) (380/85R30) (SUB FOR RE156607) (USE WITH RE171004)
	RE156609	RIM	1		X X (A) (290/95R34) (320/85R34)
	RE156610	RIM	1		X X (A) (14.9R34) (380/85R34)
	RE166194	RIM	1		X X (A) (420/85R34) (480/70R34) (USE WITH R197147)
	RE174340	RIM	1		X X (A) (E) (540/65R34) (540/75R34) (USE WITH R196205)
	RE214447	RIM	1		X X (A) (F) (USE WITH R196205) (540/65R34) (540/75R34)
	RE156608	RIM	1		X X (A) (E) (16.9R30)(480/70R30)(420/90R30)
	RE175579	RIM	1		X X (A) (F) (16.9R30)(480/70R30)(420/90R30)
	RE156606	RIM	1		X X (A) (E) (23.6R28) (600/65R28)
	RE176457	RIM	1		X X (A) (F) (23.6R28) (600/65R28)
4	19M8224	CAP SCREW	12		X X M20 X 60, HS 10.9
5	24M7242	WASHER	12		X X 21.400 X 42 X 5 MM
6	R156497	WHEEL CENTER	1		X X (A) (B) 28" & 30" (16.9R30) (420/90R30) (480/70R30) (540/65R30) (14.9R30)(380/85R30)
	R156498	WHEEL CENTER	1		X X (A) (C) 28" & 30" (600/65R28) (16.9R30) (420/90R30) (540/65R30)
	R156499	WHEEL CENTER	1		X X (A) (B) 34" (290/95R34) (320/85R34) (380/85R34) (14.9R34)
7	24M7241	WASHER	12		X X 17 X 34 X 4 MM
	24M7241	WASHER	8		X X 17 X 34 X 4 MM. (USE WITH R187845)
8	14M7276	NUT	12		X X M16
	14M7276	NUT	8		X X M16. (USE WITH R187845)
9	R187841	SPACER	8		X X (USE WITH R187845)
10	R187845	BOLT	8		X X (USE WITH R187841)
11	R196203	WHEEL CENTER	1		X X (A) (C) 28" & 30" (600/70R30) (620/75R30)
	R196205	WHEEL CENTER	1		X X (A) (C) 34" (420/85R34) (480/70R34) (540/65R34) (540/75R34)
	R197147	WHEEL CENTER	1		X X (A) (B) (420/85R34) (480/70R34) (12 BOLT)
12	R115278	BOLT	AR		X X (D)
13	R115277	SPACER	AR		X X (D)

(A) FOR TIRE SIZE
 POUR PNEUMATIQUES
 FUER BEREIFUNG
 PER PNEUMATICI
 PARA NEUMATICOS
 FOR DACKSDIMENSION

(C) 75 MM FLANGE OFFSET
 75 MM REGLAGE OF DE BRIDE
 75 MM GEKROPFTER FLANSCH
 75 MM COMPENSACION DE BRIDA
 75 MM DISASSAMENTO FANGIA
 75 MM JUSTERINGSAVST NO FLANS

(E) NA & REGION 1 EXCEPT AUSTRALIA
 NA ET REGION 1 SAUF AUSTRALIE
 NA UND REGION 1 AUSSER AUSTRALIEN
 NA ED REGIONE 1 TRANNE L'AUSTRALIA
 NA Y REGION 1 EXCEPTO AUSTRALIA
 NA OCH REGION 1 UTOM AUSTRALIEN

(B) 101.6 MM FLANGE OFFSET
 101.6 MM REGLAGE DE BRIDE
 101.6 MM GEKROPFTER FLANSCH
 101.6 COMPENSACION DE BRIDA
 101.6 MM DISASSAMENTO FANGIA
 101.6 MM JUSTERINGSAVST NO FLANS

(D) 66" TREAD SETTING
 VOIE DE ROUES DE 1650 MM (66 IN.)
 1650 MM (66 IN.) SPUREINSTELLUNG
 IMPOSTAZIONE DELLA CARREGGIATA DA 1650 MM
 AJUSTE DEL ANCHO DE VIA DE 1650 MM (66 IN.)
 1650 MM (66") SPAARVIDD

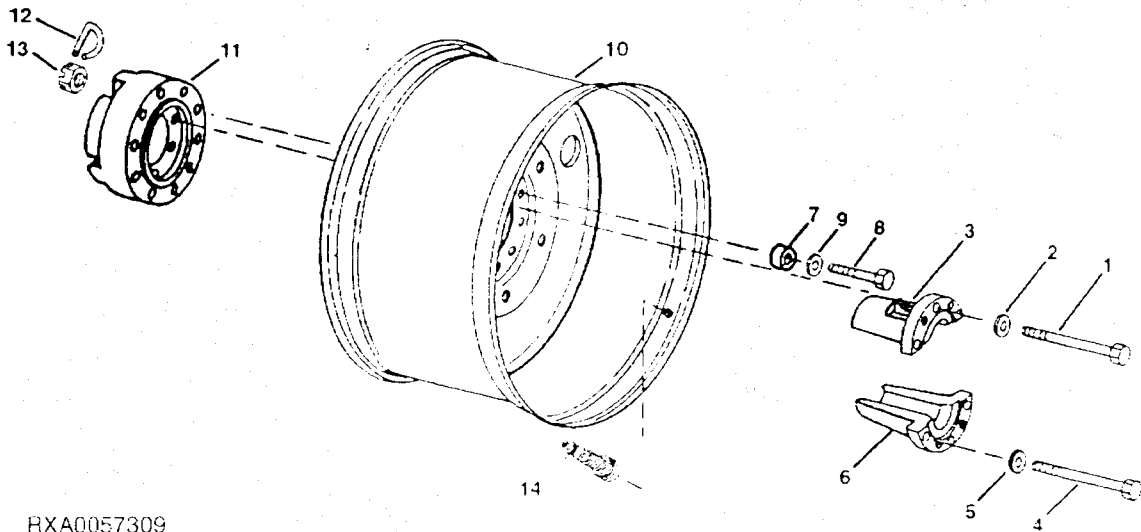
(F) REGION 2 AND AUSTRALIA
 REGION 2 ET AUSTRALIE
 REGION 2 UND AUSTRALIEN
 REGIONE 2 ED L'AUSTRALIA
 REGION 2 Y AUSTRALIA
 REGION 2 OCH AUSTRALIEN

80-30

WHEELS, FRONT AXLES AND SHEET METAL

STEEL DISK REAR WHEELS (10-BOLT HUB)
ROUES ARRIERE ACIER (ROUE A 10 BOULONS UNIQUEMENT)
STAHL-HINTERRAEDER (NUR FUER 10-SCHRAUBEN-NABE)
RUOTE POSTERIORI ACCIAIO (10-BULLONE A COLONNETTA SOLTANTO)
RUEDAS TRASERAS CON DISCO DE ACERO (CUBO DE 10 BULONES SOLAMENTE)
BAKHJUL MED STALDISK (ENDAST NAV MED 10 BULTAR)

RXA0057309 -UN-10OCT01



RXA0057309

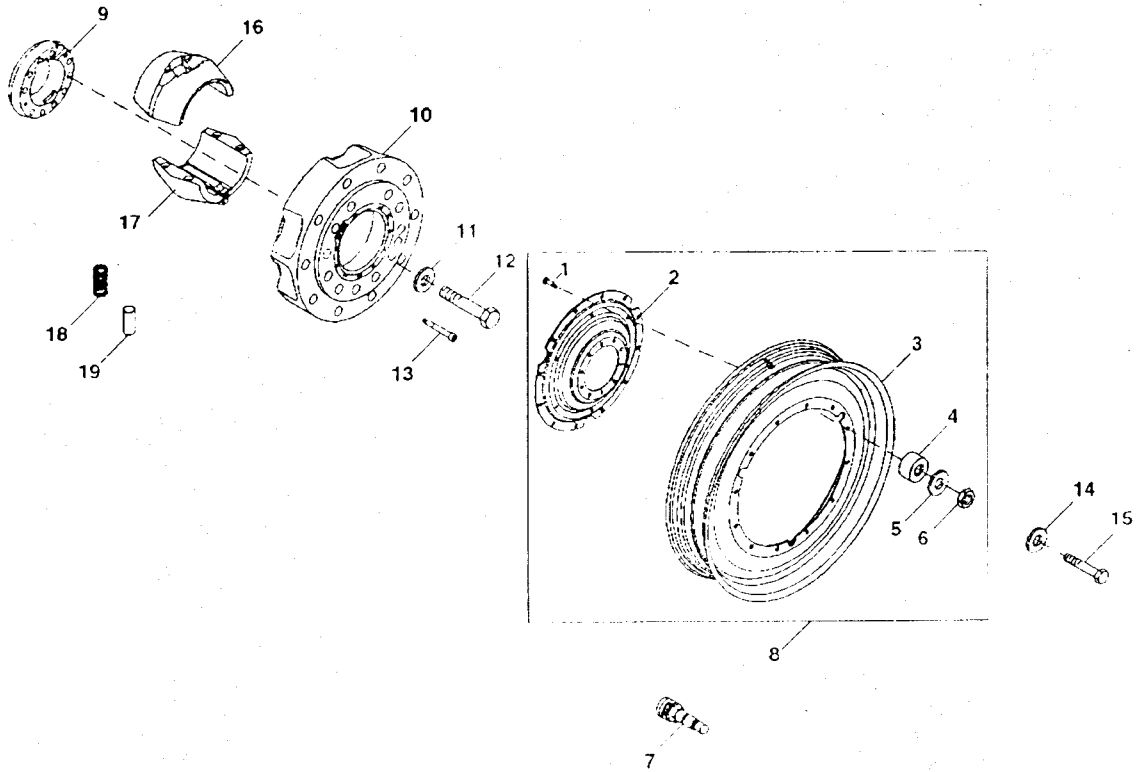
THIS PARTS LISTING IS CONTINUED

80-40

WHEELS, FRONT AXLES AND SHEET METAL

MULTI-POSITION DUALS (HEAVY DUTY)
POSITION MULTIPLES (DOUBLES) (POUR SERVICE SEVERE)
MULTIPOSITION (DOPPEL RAEDERS) (SCHWERE AUSFUEHRUNG)
MULTIPOSIZIONE (DOPPIOS) (PER SERVIZIO PESANTE)
MULTIPOSICION (DOBLES) (SERVICIO SEVERO)
MULTIPOSITION (DUBBLAS) (EXTRA KRAFTIG)

RXA0057743 -UN-19OCT01



RXA0057743

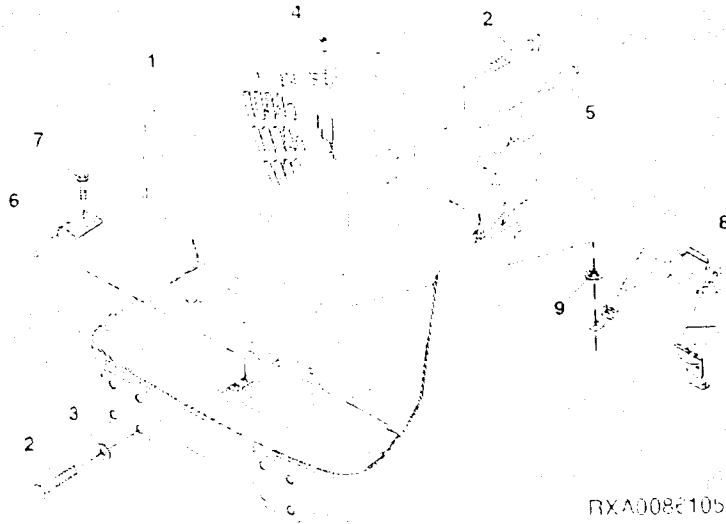
THIS PARTS LISTING IS CONTINUED

80-50

WHEELS FRONT AXLES AND SHEET METAL

FRONT FRAME
 CHASSIS AVANT
 VORDERRAHMEN
 CASSIA ANTERIORE
 CESTIDOR DELANTERO
 RAEMRE RAM

RXA008105 UN-24.JAN06



RXA008105

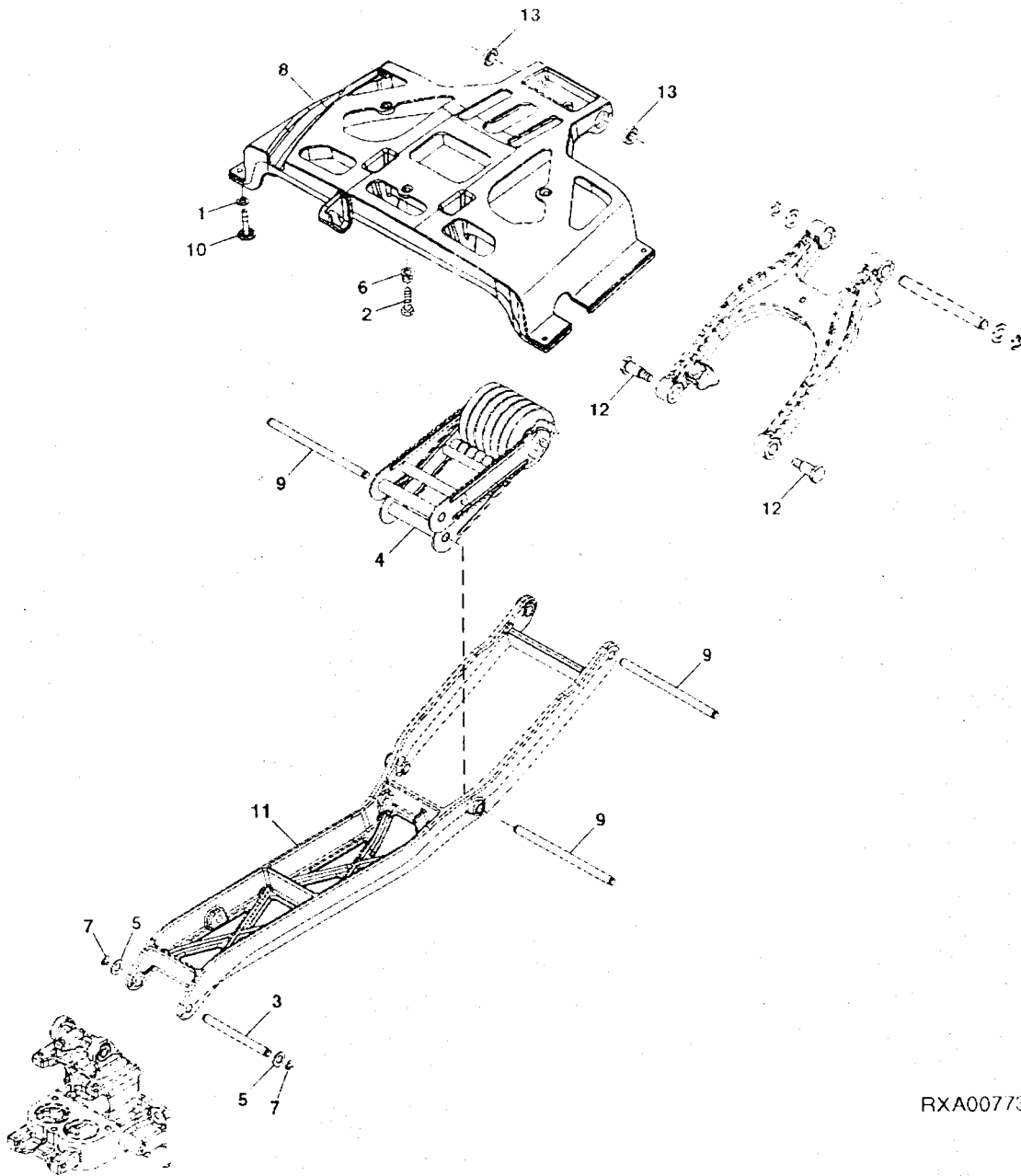
PART NO.	PART NAME	QTY	TRACTOR SERIAL NO	A L L	REMARKS
R242148	SUPPORT	1		X	(MFW)
R242149	SUPPORT	1		X	(ILS)
19M9135	CAP SCREW	16		X	M20 X 100
24M7242	WASHER	8		X	21.40 X 42 X 5 MM
R128733	PIN	8		X	
R119654	DOWEL PIN	1		X	(SUB R242148)
R242485	STRIKER	1		X	M10 X 20
19M7244	SCREW	1		X	
R242482	GUARD	1		X	
R141113	PUSH NUT	2		X	

80-60

WHEELS, FRONT AXLES AND SHEET METAL

HOOD SUPPORT
ETAI DE CAPOT
HAUBENSTUETZE
SUPPORTO COFANO
SOPORTE DEL CAPO
HUVSTOED

RXA0077399 -UN-17JUN05



RXA0077399

THIS PARTS LISTING IS CONTINUED

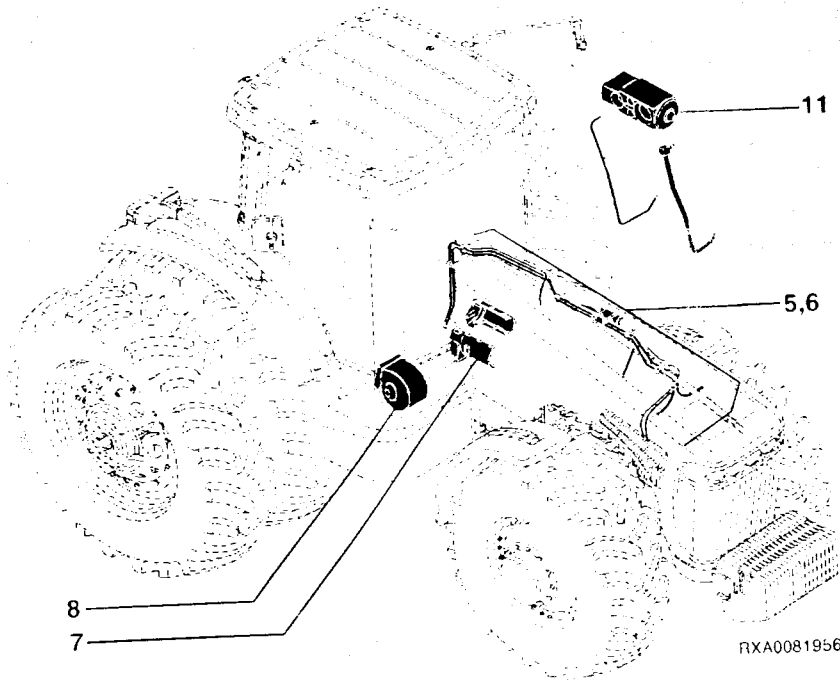
90-A02

OPERATOR'S STATION ACCESSORIES

SECTIONAL INDEX
INDEX DE SECTION
GRUPPENINDEX
INDICE DELLA SEZIONE
INDICE DE SECCION
GRUPPSFORTECKNING

RXA0081956 -UN-

5-	6
6-	8
7-	10
8-	11
11-	18
11-	20



8130, 8230, 8330, 8430, 8530 TRACTORS PC9451 (25-APR-06)
PN-E76

KEY	PART NO.	PART NAME	QTY.	TRACTOR SERIAL NO.	A L L	REMARKS
1	RE208432	LOUVER	1		X	
2	RE203675	AIR DUCT	1		X	
3	RE191541	KNOB	1		X	
4	RE190897	AIR DUCT	1		X	
5	R124495	SEAL	1		X	
6	R170127	AIR DUCT	1		X	
7	RE157244	LOUVER	1		X	
8	R64822	NUT	1		X	
9	37M7089	SCREW	1		X	M5 X 12
10	R50499	SCREW	1		X	
11	R124238	AIR DUCT	1		X	
12	M84972	NUT	2		X	
13	37M7047	SCREW	2		X	M5 X 12
14	24M7139	WASHER	2		X	6.400 X 18 X 1.600 MM
15	37M7089	SCREW	2		X	M6 X 12
16	RE179743	ACTUATOR	1		X	
17	37M7235	SCREW	3		X	
18	RE191647	AIR FLOW TUBE	1		X	(A)
		SEAL	AR		X	(MAKE FROM R83066)

MEMORANDA
MEMORANDA
MEMORANDA
MEMORANDA
MEMORANDA
MEMORANDA

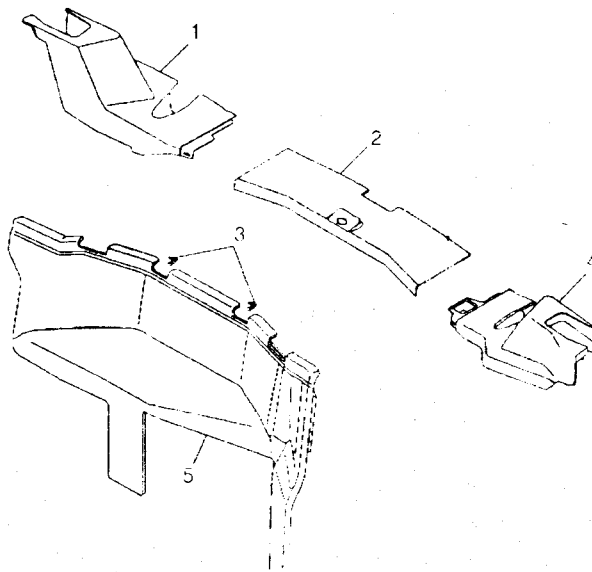
91-5

OPERATOR'S STATIO:

KEY	PART NO.	PART NAME	QTY.	CAB SERIAL NO.	A L L	REMARKS
1	19M7785	SCREW	23		X	M10 X 25, HS 10.9
2	19M7488	CAP SCREW	2		X	M16 X 40, HS 10.9
3	19M7805	SCREW	4		X	M10 X 45, HS 10.9
4	R221083	SUPPORT	1		X	
5	14M7517	LOCK NUT	17		X	M10
6	24M7241	WASHER	2		X	17 X 34 X 4 MM
7	24M7346	WASHER	28		X	11 X 20 X 2 MM
8	R151799	STEP	3		X	
9	R222839	PLATE	1		X	
10	R221082	BRACE	1		X	
11	R214673	PLATE	1		X	
12	R171834	PLATFORM	1		X	
13	R214673	PLATE	1		X	
14	R222840	PLATE	1		X	
15	R203354	HANDRAIL	1		X	
16	19M7784	SCREW	3		X	M10 X 20, HS 10.9
17	RE205743	GUARD	1		X	

REAR UPHOLSTERY
 SELLERIE-GARNITURE ARRIERE
 HECKPOLSTERIORE
 SELLERIA POSTERIORE
 TAPIZADO TRASERO
 BAKRE KLAEDSEL

RXA0077057 -UN-23AUG04



RXA0077057

KEY	PART NO.	PART NAME	QTY.	CAB SERIAL NO	A L L	REMARKS
1	R229271	COVER	1		X	
2	R185496	COVER	1		X	
3	R120160	CLIP	2		X	
4	R187566	COVER	1		X	
	RE194287	FUSE HOLDER	1		X	
5	R227863	ACOUSTICAL UPHOLSTERY	1		X	
	M84972	NUT	2		X	
	21M7296	SCREW	2		X	M6 X 20

KEY	PART NO.	PART NAME	QTY	CAB SERIAL NO.	A L L	REMARKS
1	AL77711	RESERVOIR	1		X	
2	L80015	PLUG	2		X	
3	L80014	GROMMET	2		X	
4	L80013	FILLER CAP	1		X	
5	L78422	RESERVOIR	1		X	
6	AL79013	PUMP	2		X	
7	TY25139	BULK HOSE	2		X	SUB. TO R. NO. 6789) 6659 L.M.
	R120653	HOSE	1		X (A)	
8	AL35642	NOZZLE	2		X	
9	14M7396	LOCK NUT	2		X (A)	
..	AR112601	FIELD INSTALLATION KIT	1		X (ASSY)	

(A) NOT INCLUDED IN KIT
 NON INCLUS DANS LE JEU
 NICHT MIT DEM SATZ MITGELIEFERT
 NON COMPRESO NEL KIT
 NO FORMA PARTE DEL JUEGO
 INGAAR INTE I SATSEN

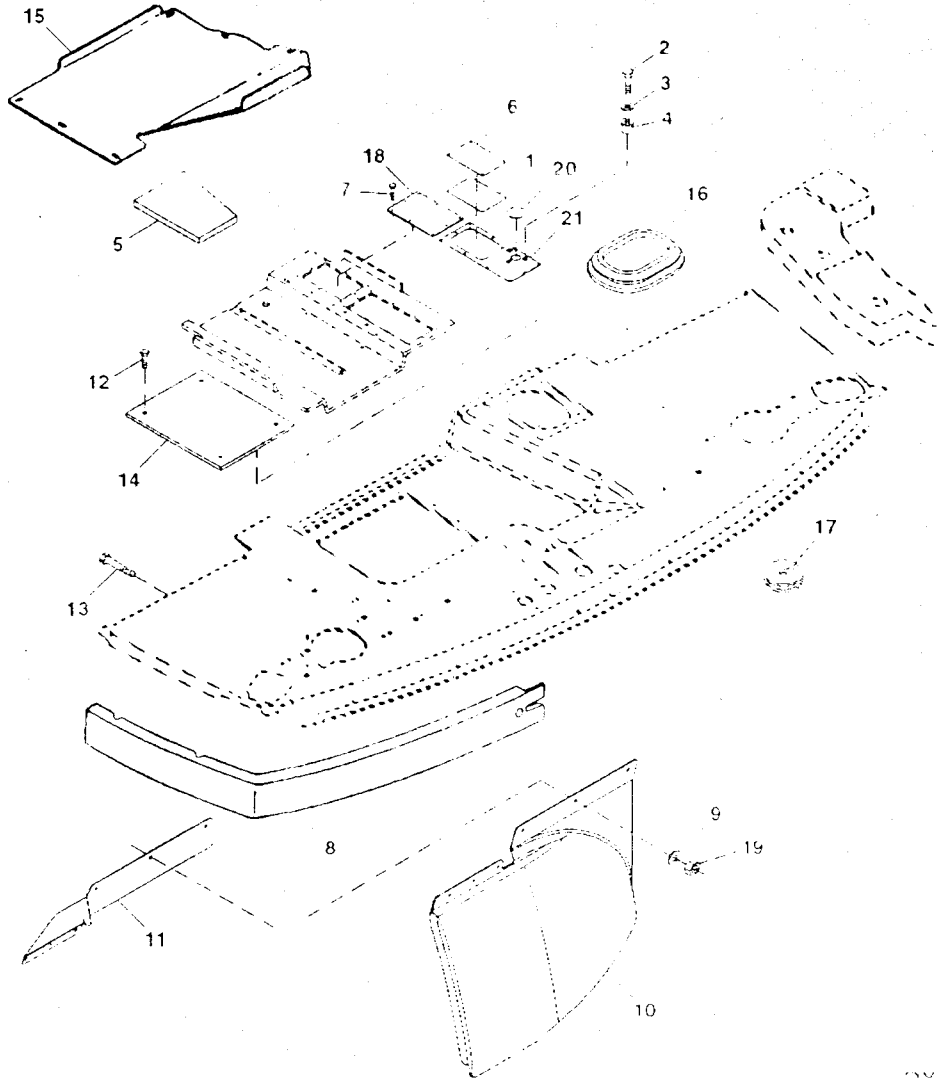
KEY	PART NO.	PART NAME	QTY.	TRACTOR SERIAL NO	A L L	REMARKS
1	RE210096	HANDLE	1		X	
2	R206158	WEATHERSTRIP	1		X	(ORDER RE2349465)
3	12M7032	LOCK WASHER	3		X	8.400 MM
4	L58830	WASHER	6		X	
5	R131261	WASHER	3		X	M8 X 20
6	19M7866	SCREW	4		X	
7	R237474	BALL STUD	2		X	(ALSO OR PART #2) R237474)
8	RE234165	GAS OPERATED CYLINDER	1		X	
9	R210099	DOOR	1		X	(A)
	R210101	DOOR	1		X	
10	L78851	BUSHING	3		X	M8 X 40
11	19M8323	SCREW	3		X	
12	L78703	CAP	3		X	
13	L77652	SEALING WASHER	6		X	
14	Z22491	WASHER	3		X	
		HINGE	1		X	
16	RE46587	HINGE	1		X	
17	RE208274	HINGE	1		X	
18	R124309	COVER	1		X	
19	R210137	WASHER	4		X	M8 X 30
20	19M9356	SCREW	4		X	

(A) EUROPEAN VERSION
 VERSION EUROPEENNE
 EUROPÄISCHE AUSFUEHRUNG
 VERSIONE EUROPEA
 VERSION EUROPEA
 EUROPEISK VERSION

FLOOR
PLANCHER
FUSSBODEN
PAVIMENTO
PISO
GOLV

HXA0083105

UN-05AUG05



HXA0083105

THIS PARTS LISTING IS CONTINUED

92-5

SEA

KEY	PART NO.	PART NAME	QTY	TRACTOR SERIAL NO.	A L L	REMARKS
1	14H1076	NUT	2		X	3/8"
2	24H1136	WASHER	1		X	11/32" X 11 16" X 0.065"
3	24H1305	WASHER	1		X	13/32" X 13 16" X 0.065"
4	R234805	PLUG	1		X	
5	M115279	PLUG	1		X	
6	RE233383	ARMREST KIT	1		X	
7	RE188731	ARMREST KIT	1		X	(A)
	AT315761	PAD	1		X	(B)
8	21M7296	SCREW	1		X	M6 X 20
9	RE228095	TOGGLE/ROCKER SWITCH	1		X	(D)
	RE225257	SWITCH	1		X	(C)
10	RE189796	KIT	1		X	(G)
11	T205672	SPACER	1		X	
12	AT195441	ARMREST KIT	1		X	(B)
	AT209016	ARMREST KIT	1		X	(A)
13	RE234800	ARMREST	1		X	(E) (LH)
14	RE166302	SEAT KIT	1		X	
15	RE166304	SEAT KIT	1		X	
16	R225262	BEZEL	2		X	
17	RE224099	SWITCH	1		X	(F)
18	AT195442	ARMREST KIT	1		X	L.H.
19	37M7185	SCREW	4		X	
20	19M8752	SCREW	1		X	M10 X 20
21	RE176220	ARMREST KIT	1		X	(C)
	RE188735	SEAT KIT	1		X	(D)
	T177591	BOLT	1		X	(USE WITH RE233383)

(A) BROWN
MARRON
BRAUN
MARRONE
MARRON
BRUN

(B) BLACK
NOIR
SCHWARZ
NERO
NEGRO
SVART

(C) AIR SEAT
SIEGE PNEUMATIQUE
LUFTGEFEDERTER SITZ
SEDILE PNEUMATICO
ASIEN TO NEUMATICO
LUFTJAE DRAT SAETE

(D) ACTIVE SEAT
SIEGE REGLABLE
EINSTELLBARER SITZ
SEDILE REGOLABILE
ASIEN TO ADJUSTABLE
INSTAELLBART SAETE

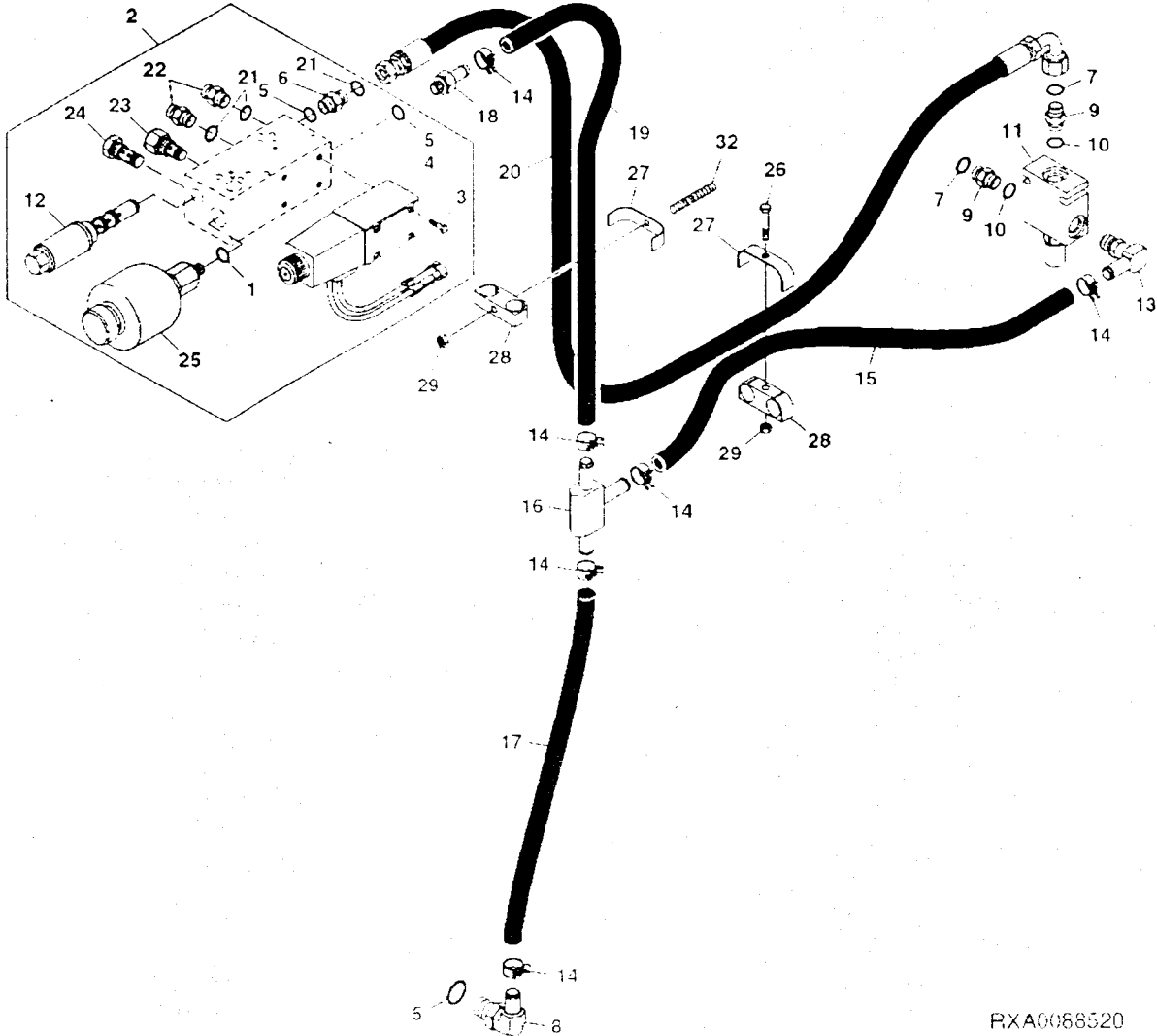
(E) ARTICULATING ARMREST
ACCOUDOIR ARTICULE
SCHARNIER-ARMLEHNE
BRACCI OLO ARTICOLATO
APOYABRAZOS ARTICULADO
VRIDBART ARMSTOED

(F) SEAT HEATER
CHAUFFE-SIEGE
SITZHEIZUNG
RISCALDATORE DEL SEDILE
CALEFACTOR DE ASIEN TO
SITSV AERMARE

(G) RIDE FIRMNESS SWITCH
INTERRUPTEUR DE REGLAGE DE SUSPENS ION
SITZDAEMP FUNGSEINSTELLSC HALTER
INTERRUTTORE RIGIDITA' SEDILE
CONMUTADOR DE CONTROL DE SUSPENS ION
SITSFJAE DRINGSKONTAKT

CONTROL VALVE ASSEMBLY
ENSEMBLE DISTRIBUTEUR
STEUERVENTIL-BAUGRUPPE
GRUPPO VALVOLE DI REGOLAZIONE
CONJUNTO DE LA VALVULA DE CONTROL
REGLERVENTILSATS

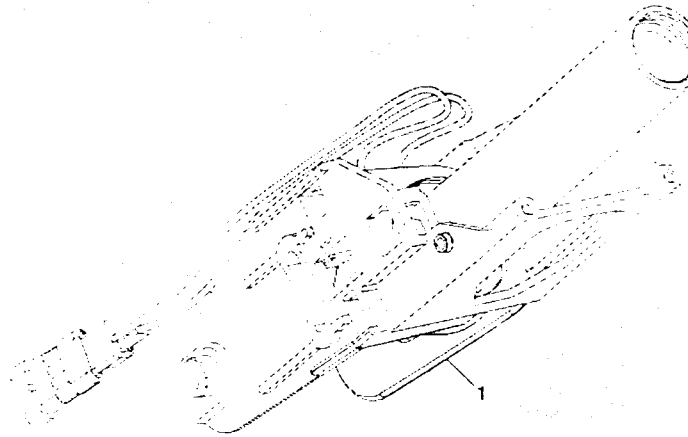
RXA0088520 -UN-



RXA0088520

STEERING PIVOT ASSEMBLY
 L'ASSEMBLEE DE PIVOT QUI DIRIGE
 STEUERENDE DREHPUNKT VERSAMMLUNG
 IL MONTAGGIO DI PERNO DIRIGENDO
 LA ASAMBLEA DE PIVOTE QUE DIRIGE
 STYRTAPP

RXA0064543 -UN-17JAN03



RXA0064543

KEY	PART NO.	PART NAME	QTY.	SERIAL NO.	A L L	REMARKS
1	RE226156	PIVOT	1		X	

DO NOT SERVICE INDIVIDUAL PARTS (COMPLETE ASSEMBLY)
 NE PAS ENTRETIENIR LES PIECES INDIVIDUELLEMENT (ENSEMBLE COMPLET)
 EINZELTEILE NICHT WARTEN (GESAMTE BAUGRUPPE)
 NON EFFETTUARE INTERVENTI DI MANUTENZIONE SUI SINGOLI COMPONENTI (GRUPPO UNICO)
 NO DARLE MANTENIMIENTO A PIEZAS INDIVIDUALES (CONJUNTO COMPLETO)
 UTFOER INTE SERVICE PAA ENSKILDA DELAR (HEL ENHET)

DECALS
 DECALCOMANIES
 AUFKLEBER
 CALCOMANIE
 CALCOMANIAS
 OEVERFOERINGSBILD

RXA0081593 -UN-20JUN05

1

3

WARNING

Do not drive faster than 32km/h (20MPH)

4

WARNING

LI AVON - PERBY RULLIT

1. K20 1000 1000 1000 1000 1000

2. 1000 1000 1000 1000 1000

3. 1000 1000 1000 1000 1000

4. 1000 1000 1000 1000 1000

7

WARNING

AVOID CRUSHING

Do not jump if machine tips.

USE SEAT BELT

Pull belt fully from retractors and adjust for best protection.

To maintain ultimate operator protection and manufacturer's ROPS certification:

- Damaged ROPS structures must be replaced, not repaired or reused.
- Any alteration to the ROPS must be approved by the manufacturer.

5

8

CAUTION

This instructional seat has been provided only for training operators or diagnosing machine problems.

Keep all other riders off the tractor and equipment.

Always wear your seat belt.

7

CAUTION

1. Read Operator's Manual before operating this tractor.
2. Keep all 4 wheels in place.
3. Hitch loaded loads only to drawbar to avoid towing a load.
4. Make certain everyone is clear of machine before starting engine or operation.
5. Keep all riders off tractor and equipment.
6. Keep hands, feet and clothing away from powertrain parts.
7. Reduce speed when turning or stopping and avoid sudden stops or operating around obstacles on wet, icy, muddy or steep slopes.
8. Combine brake pedals together for road travel.
9. Use fastening warning lights on highway unless prohibited by law.
10. Stop engine, lower implement to ground and shift to "PARK" or set handbrake securely before dismounting.
11. Wait for all movement to stop before servicing machinery.
12. Remove key if leaving tractor unattended.

2

	K1 AC		K2 AC		K3 MP		K4 ACC	
	□	□	□	□	□	□	□	□
	□	□	□	□	□	□	□	□
	□	□	□	□	□	□	□	□

A

B

A

B

MP

ACC

AC

	A	C	E	G	J		A	C	E	G	J
1	●	●	●	●	●	1	●	●	●	●	●
2	●	●	●	●	●	2	●	●	●	●	●
3	●	●	●	●	●	3	●	●	●	●	●
4	●	●	●	●	●	4	●	●	●	●	●
	B	D	F	H			B	D	F	H	

K5 ACC

K6 MP

RXA0081593

THIS PARTS LISTING IS CONTINUED

94-4

8130, 8230, 8330, 8430, 8530 TRACTORS PC9451 (08-AUG-05) PNE00

94-15

DECAL

KEY	PART NO	PART NAME	QTY	TRACTOR SERIAL NO	A L L	REMARKS
1	R120125	LABEL	1		X	
2	R120112	LABEL	1		X	
3	R125473	TAG	1		X	
4	R120129	LABEL	1		X	

NUMERICAL INDEX - CONTINUED

PART NO.	KEY	PAGE	PART NO.	KEY	PAGE	PART NO.	KEY	PAGE
RE211485	6	42-19	RE21519	13	41-23	RE217219	..	25-11
RE211488	1	41-7	RE215258	1	70-85	RE217641	7	70-3
RE211489	1	41-3	RE215880	12	70-17	RE217737	1	53-30
RE211490	1	41-7	RE215882	2	70-21	RE217738	2	53-30
RE211490	3	41-12	RE215884	7	70-21	RE217743	3	53-30
RE211490	8	42-19	RE215885	4	60-47	RE217754	45	52-9
RE211490	1	93-11	RE215889	14	60-15	RE217825	5	91-3
RE211491	1	41-7	RE215889	8	93-12	RE217864	29	42-29
RE211491	3	41-12	RE215892	1	60-15	RE21790	6	35-11
RE211491	8	42-19	RE215893	18	60-15	RE21790	8	35-11
RE211491	1	93-11	RE215898	13	60-15	RE218223	44	35-15
RE211496	4	41-21	RE215898	9	93-12	RE218223	6	53-48
RE211499	12	93-9	RE215899	6	70-17	RE218639	10	53-29
RE211500	13	44-4	RE215900	1	70-5	RE218822	1	41-11
RE211501	8	44-6	RE215900	5	70-5	RE218823	1	41-11
RE211501	8	44-7	RE215901	2	70-5	RE218979	5	42-35
RE211504	1	43-6	RE215901	5	70-5	RE218999	1	42-10
RE211519	2	43-6	RE215902	5	55-5	RE219034	1	42-30
RE211628	10	80-31	RE215902	33	70-17	RE219046	2	41-5
RE211628	13	80-33	RE215902	22	70-19	RE219046	3	41-5
RE211631	10	80-31	RE215904	1	60-47	RE219046	1	42-9
RE211631	13	80-33	RE215905	2	60-47	RE219053	1	42-30
RE211631	13	80-35	RE215909	4	71-18	RE219269	26	71-5
RE211640	8	80-37	RE215909	4	71-19	RE219422	3	71-107
RE211640	8	80-39	RE215910	21	60-45	RE219422	3	71-111
RE211640	8	80-41	RE215911	22	60-45	RE219422	10	71-17
RE211710	2	92-17	RE215913	4	60-45	RE219698	13	71-5
RE211712	12	92-17	RE215915	4	70-47	RE219773	8	44-15
RE211947	2	60-40	RE215916	5	70-47	RE219835	2	35-3
RE211947	2	60-41	RE215917	7	70-33	RE219835	3	41-7
RE212153	18	71-9	RE215918	6	70-33	RE219872	11	52-17
RE212376	15	71-9	RE215920	7	70-33	RE219922	..	42-59
RE212377	20	71-9	RE215921	6	70-33	RE220015	32	71-5
RE212378	19	71-9	RE216003	4	51-43	RE220036	29	51-3
RE212444	10	52-9	RE216003	4	51-45	RE220069	5	42-72
RE212709	36	52-9	RE216006	8	52-15	RE220077	12	71-5
RE212762	9	60-5	RE216007	10	51-43	RE220170	4	51-51
RE212869	6	41-12	RE216007	10	51-45	RE220171	10	50-25
RE212869	6	60-61	RE216008	9	52-15	RE220172	11	60-25
RE213144	8	41-5	RE216040	2	44-17	RE220174	7	60-45
RE213144	2	70-29	RE216055	2	60-50	RE220176	9	60-45
RE213318	8	52-23	RE216209	5	41-9	RE220177	10	50-15
RE213458	15	71-5	RE216331	4	41-7	RE220178	13	70-17
RE213458	5	71-17	RE216338	35	35-15	RE220179	38	70-17
RE213498	47	71-7	RE216479	27	71-5	RE220185	1	55-5
RE213498	9	71-13	RE216480	18	71-5	RE220185	37	70-17
RE213502	13	35-15	RE216481	22	71-5	RE220188	5	55-5
RE213549	6	54-29	RE216530	2	42-37	RE220188	33	70-17
RE213549	6	55-61	RE216530	7	42-37	RE220189	3	55-5
RE213556	21	53-9	RE216530	1	42-41	RE220189	35	70-17
RE213694	1	25-14	RE216530	3	42-43	RE220195	9	35-13
RE213694	25	52-11	RE216533	1	42-37	RE220206	4	70-33
RE214071	2	52-21	RE216533	10	42-41	RE220209	13	35-13
RE214072	3	52-23	RE216533	15	42-43	RE220261	21	71-7
RE214241	34	52-23	RE216640	1	70-105	RE220261	2	71-13
RE214440	21	25-5	RE216640	1	71-13	RE220261	12	71-13
RE214440	5	90-7	RE216787	33	71-7	RE220436	7	70-11
RE214442	2	80-22	RE216794	26	55-35	RE220437	35	70-11
RE214445	2	80-22	RE216794	16	55-37	RE220438	34	70-11
RE214447	3	80-17	RE216819	8	55-39	RE220449	3	70-85
RE214447	3	80-19	RE216821	9	55-39	RE220472	1	53-9
RE214448	3	80-17	RE216822	2	55-39	RE220511	36	90-15
RE214448	3	80-19	RE216940	8	71-5	RE220511	34	90-17
RE214650	10	80-31	RE217077	19	51-11	RE220578	1C	60-11
RE214650	13	80-33	RE217077	8	52-9	RE220578	1C	60-12
RE214650	13	80-35	RE217077	2	55-13	RE220578	1	93-5
RE214894	4	55-17	RE217219	16	25-11	RE220579	1A	55-57

NUMERICAL INDEX - CONTINUED

PART NO.	KEY	PAGE	PART NO.	KEY	PAGE	PART NO.	KEY	PAGE
R119654	9	55-11	R121580	1	55-3	R124462	3	60-31
R119654	5	80-50	R121580	12	55-3	R124462	19	60-33
R119869	2	60-29	R121580	4	55-7	R124463	35	60-31
R119890	2	91-29	R121580	6	55-7	R124463	16	60-33
R120048	16	70-39	R121764	2	20-40	R124464	15	60-31
R120055	4	60-7	R121765	2	20-41	R124464	11	60-33
R120104	2	70-63	R121787	9	91-31	R124475	38	60-31
R120104	2	70-65	R121788	28	53-11	R124478	11	60-31
R120104	2	94-11	R121788	18	70-67	R124482	29	71-7
R120105	2	70-63	R121797	3	42-30	R124482	19	71-13
R120105	2	70-65	R121823	19	51-5	R124495	5	90-13
R120105	5	94-13	R121835	12	60-73	R124576	9	51-35
R120106	4	94-13	R121918	20	42-35	R124576	9	51-37
R120108	6	94-11	R121919	19	42-35	R124693	1	94-6
R120112	2	94-15	R121929	4	20-4	R124711	23	42-35
R120113	9	94-11	R122000	10	92-20	R124716	2	42-52
R120122	2	94-13	R122029	11	90-11	R124725	7	51-21
R120123	3	94-11	R122120	16	54-7	R124733	14	91-31
R120125	1	94-15	R122120	15	54-9	R124745	7	54-26
R120126	4	94-11	R122148	11	71-1	R124745	7	54-27
R120129	4	94-15	R122197	1	51-13	R124804	17	41-5
R120130	10	94-11	R122318	8	60-73	R124807	4	70-107
R120160	3	42-57	R122339	19	42-33	R124807	4	70-111
R120160	2	90-15	R122374	50	51-31	R124807	12	71-17
R120160	2	90-17	R122390	57	51-31	R124829	3	80-66
R120160	3	91-15	R122428	2	70-63	R124859	9	92-19
R120160	2	91-17	R122428	2	70-65	R124873	14	42-33
R120213	13	35-9	R122428	4	94-9	R124958	2	80-7
R120233	30	35-15	R122474	10	55-11	R124958	2	80-9
R120515	14	91-47	R122475	13	55-11	R124961	8	80-7
R120578	16	51-19	R122476	14	55-11	R124961	8	80-9
R120578	4	52-3	R1225R	6	52-31	R124962	10	80-7
R120653	7	91-25	R122750	18	53-27	R124962	10	80-9
R120752	3	20-46	R122754	3	35-15	R125033	4	80-50
R120953	17	20-45	R122776	2	41-15	R125064	1	51-7
R120954	18	20-45	R122858	6	44-4	R125064	28	51-13
R121022	8	54-26	R122858	11	44-5	R125064	25	51-33
R121022	8	54-27	R122886	1	51-43	R125064	9	52-3
R121023	6	54-26	R122886	1	51-45	R125064	35	52-3
R121023	6	54-27	R122886	8	52-7	R125069	15	53-15
R121183	14	80-13	R122886	2	52-15	R125069	16	53-17
R121234	1	41-20	R122906	9	53-27	R125069	16	53-19
R121236	2	41-20	R122907	6	53-27	R125069	16	53-21
R121239	12	53-15	R122908	25	53-27	R125070	16	53-21
R121239	13	53-17	R122909	8	53-29	R125070	16	53-21
R121239	13	53-19	R122910	30	53-27	R125086	17	53-27
R121239	13	53-21	R122915	9	53-29	R125138	23	42-29
R121282	3	54-15	R123999	22	42-35	R125140	19	70-93
R121283	5	54-15	R124008	36	71-7	R125140	19	70-101
R121283	5	54-17	R124049	8	53-30	R125162	9	80-13
R121283	5	55-31	R124102	17	80-25	R125163	13	80-13
R121283	5	55-33	R124162	14	80-25	R125164	13	80-13
R121322	1	20-55	R124173	20	51-19	R125178	20	53-27
R121362	4	54-15	R124174	21	51-19	R125208	12	51-5
R121362	4	54-17	R124175	19	51-19	R125209	25	51-5
R121362	4	55-31	R124238	11	90-13	R125223	8	90-19
R121362	7	55-31	R124241	6	42-35	R125223	8	90-21
R121362	4	55-33	R124249	3	80-25	R125379	9	51-15
R121362	7	55-33	R124249	3	80-31	R125397	12	70-113
R121466	8	60-7	R124249	14	80-37	R125398	17	70-113
R121525	3	70-113	R124255	15	91-47	R125399	10	70-113
R121525	3	70-115	R124256	12	80-25	R125399	7	70-115
R121580	59	51-31	R124282	20	60-49	R125408	3	80-67
R121580	60	51-31	R124309	18	91-35	R125450	4	70-63
R121580	15	52-5	R124312	5	60-39	R125454	26	90-15
R121580	22	52-7	R124313	6	60-39	R125454	1	90-25
R121580	9	53-11	R124330	1	91-17	R125461	3	90-25
							25	60-27

CLICK HERE TO **DOWNLOAD** THE COMPLETE MANUAL

- Thank you very much for reading the preview of the manual.
- You can download the complete manual from: www.heydownloads.com by clicking the link below



- Please note: If there is no response to CLICKING the link, please download this PDF first and then click on it.

CLICK HERE TO **DOWNLOAD** THE COMPLETE MANUAL