

4720 SPRAYER



JOHN DEERE

PARTS CATALOG

4720 SPRAYER

PC9325 (MAR-06) English

John Deere Des Moines Works

North American Edition
Litho in U.S.A. (Revised)
COPYRIGHT © 2006
DEERE & COMPANY
Moline, Illinois
All rights reserved

CLICK HERE TO **DOWNLOAD** THE COMPLETE MANUAL

- Thank you very much for reading the preview of the manual.
- You can download the complete manual from: www.heydownloads.com by clicking the link below



- Please note: If there is no response to CLICKING the link, please download this PDF first and then click on it.

CLICK HERE TO **DOWNLOAD** THE COMPLETE MANUAL

ALPHABETICAL INDEX - CONTINUED

	PAGE		PAGE
FUEL TRANSFER PUMP		HEAD, CYLINDER	20-26
W/STRAIGHT FLEX FITTINGS	30-17	HEAD, FUEL FILTER	30-20
FUSES	40-18	HEADLAMP WIRING HARNESS	40-32
FUSES	40-20	HEADLIGHT ADJUSTING SCREWS	40-54
		HEADLIGHTS	40-54
		HEADLIGHTS AND SIDE LIGHT	40-38
G		HEADLINER, CAB	90-42
GASKET KIT, ENGINE CYLINDER HEAD REMOVAL	20-55	HEAT SHIELD, VALVE COVER	20-29
GASKET KIT, ENGINE IN-CHASSIS OVERHAUL	20-55	HEATER / REFRIGERANT LINES	90-6
GASKET KIT, ENGINE MAJOR OVERHAUL	20-56	HEATER AND A/C BLOWER MOTOR	90-12
GASKET, AIR INLET	30-12	HEATER AND A/C EXPANSION VALVE	90-12
GASKET, CYLINDER HEAD	20-26	HEATER AND A/C HOUSING	90-12
GASKET, ENGINE OIL COOLER	20-50	HEATER HOSE (6.8L)	100-46
GASKET, ENGINE OIL PAN	20-36	HEATER HOSE CLAMP (6.8L)	100-46
GASKET, EXHAUST MANIFOLD	30-13	HEATER/A/C COMPARTMENT COVER	90-11
GASKET, HYDROSTATIC PUMP	50-24	HEATER, ENGINE COOLANT	20-54
GASKET, OIL FILL INLET	20-49	HIGH FLOW NOZZLE, 5 POSITION	75-50
GASKET, THERMOSTAT COVER	20-62	HIGH FLOW SOLUTION PLUMBING	80-10
GASKET, TIMING GEAR COVER	20-44	HIGH FLOW SPRAY TIPS	80-86
GASKET, TURBOCHARGER	30-9	HIGH FLOW WIRING HARNESS(DUAL FLOWMETER)	40-55
GASKET, VALVE COVER	20-29	HINGE, HOOD	100-48
GEAR, CRANKSHAFT	20-39	HINGE, 60' BOOM	65-2
GEAR, ENGINE OIL PUMP	20-48	HOLDER, NOZZLE, 1" PIPE	75-50
GEAR, FUEL INJECTION PUMP DRIVE	30-14	HOLLOW CONE SPRAY TIPS	80-87
GEAR, HUB, FRONT (23.5:1 RATIO)	50-34	HOOD	100-50
GEAR, HUB, REAR (30.1:1 RATIO)	50-36	HOOD LATCH	100-52
GEAR, IDLER	20-41	HOOD PIVOT SPRING	100-48
GLASS, CAB FRONT	90-50	HOOD SUPPORT	100-48
GLOW PLUG AND WIRING HARNESS, FUEL INJ	40-52	HOOD SUPPORT, REAR	100-34
GLOW PLUG RELAY, JUMPER AND HARNESS	40-17	HOOD, SIDE LH	100-50
GREENSTAR RECEIVER BRACKET	40-44	HOOD, SIDE RH	100-50
GREENSTAR_tm DISPLAY MONITOR	40-4	HOOK, CLOTHES	90-45
GREENSTAR_tm WIRING HARNESS AND BRACKETS	40-4	15HOPPER, EDUCTOR (STANDARD)	80-4
GRILL, FRONT	100-43	12HORN	40-2
GRILLE SCREEN	100-43	HOSE DROPS, 80' AND 90' BOOM	75-56
GRILLE SEALS	100-53	HOSE STRAINER, BOOM	75-53
GROUND CABLE, STARTER	40-3	HOSE, AUXILIARY HYDRAULIC PUMP	70-8
GUARD, DRIVE SHAFT	50-33	HOSE, EDUCTOR, UPPER	80-46
GUARD, FAN SHIELD	20-1	HOSE, HEATER (6.8L)	100-46
GUIDE, DIPSTICK	20-12	HOSE, 7-SECTION VALVE(EXPORT)	95-2
		HOSES AND FITTINGS, COMBO VALVE	70-10
H		HOSES AND FITTINGS, PRESSURE VALVE	80-32
HAND OPERATED VALVE, 2" QUICK FILL	80-26	HOSES AND FITTINGS, SERVICE BRAKE	50-4
HAND OPERATED VALVE, 3" QUICK FILL	80-24	HOSES AND FITTINGS, SOLUTION TANK (TOP)	80-2
HANDLE AND LOCK, DOOR	90-70	HOSES AND FITTINGS, TOE CONTROL VALVE	70-30
HANDLE, HYDRO	90-56	HOSES AND FITTINGS, WHEEL DRIVE	50-6
HANDRAIL, LH (60' BOOM)	100-10	HOSES, AFTERCOOLER	20-20
HANDRAILS, L.H. (80/90' BOOM)	100-11	HOSES, BYPASS, OIL COOLER	70-4
HANDRAILS, PLATFORM, RIGHT HAND	100-12	HOSES, COMPRESSOR (ON BOARD AIR)	105-2
HARDWARE, ATTACHMENT (80/90' BOOM)	75-40	HOSES, FITTINGS, END PORT, VALVE (80/90' BOOM)	75-16
HARDWARE, 60' BOOM	65-4	HOSES, FITTINGS, FOLDING CYLINDERS (80/90' BOOM)	75-20
HARNESS, ARMREST WIRING	40-14	HOSES, FITTINGS, HYDROSTATIC PUMP	50-2
HARNESS, BOOM WIRING (60' BOOM)	65-24	HOSES, FITTINGS, LEFT FRONT WHEEL MOTOR	50-14
HARNESS, BOOM WIRING (80/90' BOOM)	75-10	HOSES, FITTINGS, LEFT REAR WHEEL MOTOR	50-16
HARNESS, BOOM WIRING (80/90' BOOM)	75-12	HOSES, FITTINGS, LEVELING CYLINDER 60' BOOM	65-14
HARNESS, CAB WIRING	40-18	HOSES, FITTINGS, LEVELING CYLINDERS (80/90' BOOM)	75-8
HARNESS, CAB WIRING	40-20	HOSES, FITTINGS, LIFT CYLINDER (80/90' BOOM)	75-17
HARNESS, CHASSIS WIRING	40-6	HOSES, FITTINGS, LIFT CYLINDER (60' BOOM)	65-16
HARNESS, GLOW PLUG WIRING	40-52	HOSES, FITTINGS, LOWER EDUCTOR	80-48
HARNESS, HEADLAMP WIRING	40-32	HOSES, FITTINGS, OUTER FOLD CYLINDERS (80/90' BOOM)	75-18
HARNESS, PROPULSION CONTROL WIRING	90-56	HOSES, FITTINGS, PARK BRAKE VALVE	50-20
HARNESS, ROOF WIRING	40-16		
HARNESS, WHEEL SPEED SENSOR WIRING	40-10		
HARNESS, WIRING, ENGINE	40-4		

20-3

ENGINE

KEY	PART NO.	PART NAME	QTY.	SERIAL NO.	REMARKS
1	R208642	COVER	1		
2	R208643	COVER	1		
3	19M7788	SCREW	4		
4	AN207952	SHIELD	1		
5	19M7865	SCREW	2		M8 X 16
6	N306662	SHIELD	1		
7	N306663	SHIELD	1		
8	E63526	NUT	4		M10
9	19M7785	SCREW	5		M10 X 25
10	N305214	DOOR	1		
11	H143834	NUT	1		
12	14M7426	LOCK NUT	2		M8
13	24M7207	WASHER	2		8.400 X 24 X 2 MM
14	19M7867	SCREW	2		M8 X 25

20-13

ENGINE

<i>KEY</i>	<i>PART NO.</i>	<i>PART NAME</i>	<i>QTY.</i>	<i>ENGINE SERIAL NO.</i>	<i>REMARKS</i>
1	RE69243	DIPSTICK	1		
2	R130055	DIPSTICK TUBE	1		
3	R502725	PLUG	1		

20-23

ENGINE

KEY	PART NO.	PART NAME	QTY.	SERIAL NO.	REMARKS
1	RE181893	RADIATOR	1		(SUB RE245236)
	RE245236	RADIATOR	1		
2	RE171270	RADIATOR RESERVOIR	2		
3	RE172433	GASKET	2		
4	AT13740	DRAIN VALVE	1		
5	R130951	FITTING	1		
6	R56101	CLIP	4		
7	HOSE	1		(MAKE FROM TY22418) 1433MM
8	19M7867	SCREW	3		M8 X 25
9	14M7298	FLANGE NUT	3		M8
10	RE43593	FILLER CAP	1		
11	RE183055	TANK	1		
12	HOSE	1		(MAKE FROM TY22418) 1985MM
13	RE183167	HOSE	1		
14	R117721	CLAMP	2		
15	HOSE	1		(MAKE FROM TY22328) 537MM
16	AT174697	ELBOW FITTING	1		
17	RE63194	FILLER CAP	1		
18	24M7139	WASHER	1		6.400 X 18 X 1.600 MM
19	37M7090	SCREW	2		M6 X 16
20	R187357	CLAMP	2		
21	AH170895	CLAMP	1		
22	R189038	RADIATOR HOSE	1		
23	RE56098	CLAMP	4		
24	RE202529	PIPE	1		
25	19M7163	CAP SCREW	1		M8 X 25
26	24M7036	WASHER	1		9 X 16 X 1.600 MM
27	14M7273	NUT	1		M8
28	R43582	HOSE	1		
29	AH170895	CLAMP	1		
30	RE201362	TANK	1		
31	AH170895	CLAMP	1		
32	R188605	RADIATOR HOSE	1		
33	R181900	TUBE	1		
34	R196306	HOSE	1		
35	RE56098	CLAMP	1		
36	TY22462	CLAMP	2		
37	RE227937	CHECK VALVE	1		
38	R164895	RADIATOR HOSE	1		
39	AN205178	HOSE CLAMP	1		

20-33

ENGINE

<i>KEY</i>	<i>PART NO.</i>	<i>PART NAME</i>	<i>QTY.</i>	<i>ENGINE SERIAL NO.</i>	<i>REMARKS</i>
1	RE522680	SHORT BLOCK ASSEMBLY	1		

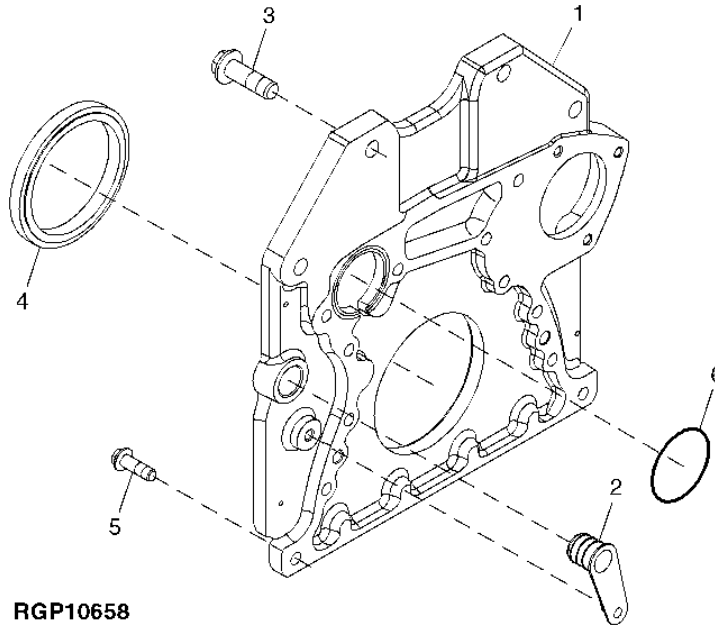
(PISTON MARKED RE507758)

20-43

ENGINE

RGP10658 -UN-30AUG04

FLYWHEEL HOUSING



RG P10658

KEY	PART NO.	PART NAME	QTY.	ENGINE SERIAL NO.	REMARKS
1	R515291	HOUSING	1		
2	R131769	PLUG	1		
3	19M7813	SCREW	4		M12 X 45
4	RE44574	SEAL	1		
5	R135918	BOLT	12		
6	R61467	O-RING	1		69.520 X 2.616 MM (2.737" X 0.103")

20-53

ENGINE

KEY	PART NO.	PART NAME	QTY.	ENGINE SERIAL NO.	REMARKS
1	RE52242	DRAIN PLUG	NA		M16 X 1.5
2	51M7042	O-RING	1		13.300 X 2.200 MM (0.524" X 0.087")
3	RE504563	FILTER HEAD	1		(MARKED R502504) (INCLUDES R502513 AND RE504543)
4	19M7784	SCREW	2		M10 X 20
5	R515344	OIL TUBE	2		199.5MM
6	RE520397	TUBE	2		
7	R517488	O-RING	4		19.790 X 3.580 MM (0.779" X 0.141")
8	28H1495	SPACER	1		0.493" X 0.675" X 1"
9	R123525	GASKET	1		
10	R504153	ADAPTER FITTING	1		
11	RE67238	SCREW	1		(A) M8 X 20
12	19M8528	SCREW	1		M10 X 55
13	19M7802	SCREW	5		M8 X 65
14	R116115	FITTING	2		
15	51M7045	O-RING	2		19.300 X 2.200 MM (0.760" X 0.087")
16	R505145	BRACKET	1		
17	R518146	HALF CLAMP	1		
18	R518145	HALF CLAMP	1		
19	19M8618	SCREW	1		M6 X 12
20	R502513	SEAL	1		
21	RE504836	OIL FILTER	1		(ALSO ORDER R502513)
22	RE504543	VALVE	1		

(A) WITH PRE-APPLIED SEALANT

20-63

ENGINE

ENGINE COOLANT CONDITIONER

RGP9624 -UN-26JUN03



KEY	PART NO.	PART NAME	QTY.	ENGINE SERIAL NO.	REMARKS
1	TY16004	ENGINE COOLANT CONDITIONER	1		16 OZ (473 ML)
2	TY16005	ENGINE COOLANT CONDITIONER	1		1/2 GAL (1.89 L)

30-7

FUEL SYSTEM

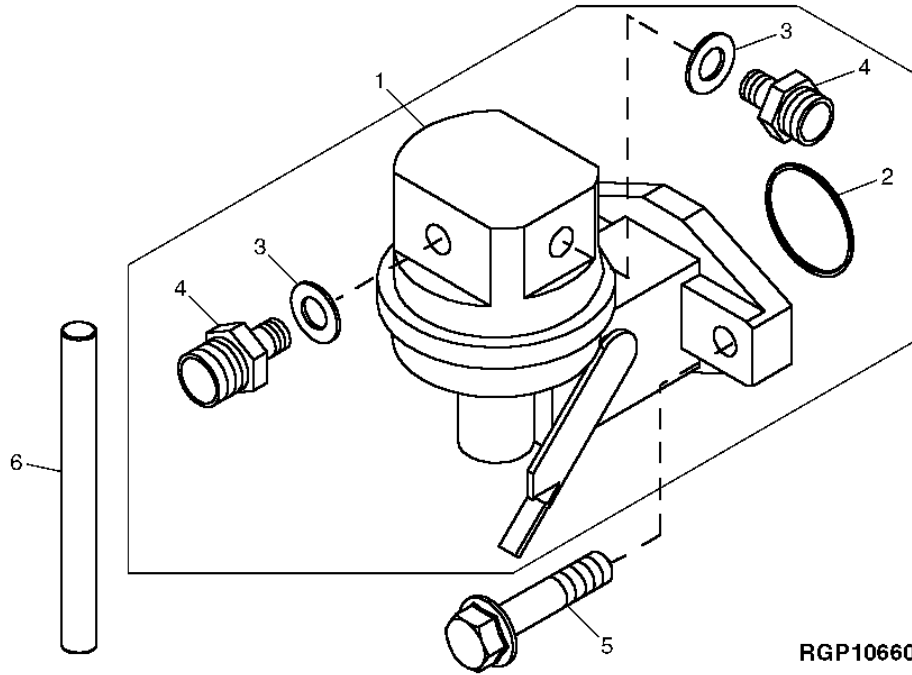
KEY	PART NO.	PART NAME	QTY.	SERIAL NO.	REMARKS
1	R184863	HOSE CLAMP	2		
2	19M7802	SCREW	1		M8 X 65
3	R184060	COVER	2		
4	R184066	CLAMP	2		
5	R184863	HOSE CLAMP	4		
6	HOSE	2		636MM, (MAKE FROM TY22563)
7	HOSE	1		233MM, (MAKE FROM TY22553)
8	R184062	COVER	2		
9	R202594	CLAMP	2		
10	14M7298	FLANGE NUT	1		M8
11	R210822	FUEL LINE	1		
12	R202593	PLATE	1		
13	R72853	CLAMP	2		
14	19M7800	SCREW	2		M8 X 50
15	H112567	PLATE	2		
16	H114865	CLAMP	2		
17	H141706	CLAMP	2		
18	R202521	PLATE	1		
19	R201657	TUBE	1		
20	RE211527	LINE	1		(A)
21	19M7913	SCREW	1		M8 X 90
22	R210131	CLAMP	2		
23	AN207691	BRACKET	1		
24	19M7398	CAP SCREW	1		
25	19M7865	SCREW	1		M8 X 16
26	AH79175	CLIP	3		
27	R187365	NUT	1		
28	R223637	LINE	1		
29	HOSE	1		619MM, (MAKE FROM TY22328)
30	R117721	CLAMP	2		
31	24M7238	WASHER	1		8.700 X 17 X 2 MM
32	19M7913	SCREW	1		M8 X 90
33	N191841	SPACER	1		
34	H137328	LOCK NUT	1		

(A) FUEL LEAK OFF

30-17

RGP10660 -UN-30AUG04

FUEL TRANSFER PUMP



KEY	PART NO.	PART NAME	QTY.	ENGINE SERIAL NO.	REMARKS
1	RE66153	FUEL PUMP	1		
2	R123273	O-RING	1		31.420 X 2.616 MM (1.237" X 0.103")
3	R500271	O-RING	2		10.100 X 1.600 MM (0.398" X 0.063")
4	R500270	FITTING	2		M10X1 X 9/16"-24UNEF
5	RE504233	CAP SCREW	2		
6	R133405	PIN	1		

40-5

ELECTRICAL SYSTEM

KEY	PART NO.	PART NAME	QTY.	SERIAL NO.	REMARKS
1	CONNECTOR	1		ENGINE CRANK SENSOR
2	CONNECTOR	1		RADAR
3	CAP	1		DUST CAP, RADAR CONNECTOR
4	CONNECTOR	1		ENGINE CAM 'G' SENSOR
5	CONNECTOR	1		PUMP SOLENOID
6	CONNECTOR	1		FUEL TEMP
7	CONNECTOR	1		RAIL PRESSURE
8	CONNECTOR	1		ENGINE OIL PRESSURE
9	CONNECTOR	1		COOLANT TEMP
10	CONNECTOR	1		AIR FILTER REST SWITCH
11	CONNECTOR	1		A/C CLUTCH
12	GROUND CABLE	1		A/C CLUTCH
13	CONNECTOR	1		TO ALTERNATOR HARNESS
14	CONNECTOR	1		GLOW PLUG RELAY
15	CONNECTOR	1		ALTERNATOR
16	CONNECTOR	1		FUEL INJECTOR
17	CONNECTOR	1		MANIFOLD AIR TEMP SENSOR
18	CONNECTOR	1		START SIGNAL
19	GROUND CABLE	1		
20	CONNECTOR	1		STARTER SOLENOID
21	CONNECTOR	1		START RELAY POWER
22	CONNECTOR	1		ENGINE CONTROLLER
23	CONNECTOR	1		CAN TERMINATOR
24	CONNECTOR	1		
25	CONNECTOR	1		START RELAY POWER
26	CONNECTOR	1		STARTER SOLENOID
27	GROUND CABLE	1		AT STARTER
28	AN206862	WIRING HARNESS	1		
29	RE167207	PRESSURE SENSOR	1		(A)

(A) ENGINE OIL PRESSURE

40-15

ELECTRICAL SYSTEM

KEY	PART NO.	PART NAME	QTY.	SERIAL NO.	REMARKS
1	CONNECTOR	1		ARMREST CONNECTOR
2	CONNECTOR	1		AGITATION
3	CONNECTOR	1		LADDER
4	CONNECTOR	1		THROTTLE
5	CONNECTOR	1		DRIVE LEVER
6	CONNECTOR	1		HYDRO HANDLE
7	CONNECTOR	1		SOLUTION PUMP
8	CONNECTOR	1		R.H. FENCE
9	CONNECTOR	1		L.H. FENCE
10	CONNECTOR	1		TREAD ADJUST FRONT
11	CONNECTOR	1		TREAD ADJUST REAR
12	CONNECTOR	1		TREAD ADJUST SELECT
13	CONNECTOR	1		USER INTERFACE MODULE
14	AN206865	WIRING HARNESS	1		

40-25

ELECTRICAL SYSTEM

KEY	PART NO.	PART NAME	QTY.	CAB SERIAL NO.	REMARKS
1	R121435	BRACKET	1		(USE WITH R161354)
2	R115945	NUT	4		(USE WITH R161354)
3	H123995	SCREW	4		(USE WITH R161354)
4	RE196193	RADIO	1		(A) (FI)
	RE234151	RADIO	1		(D) (SUB FOR RE196208) (FI)
5	RE165739	RADIO SPEAKER WRG HARNESS	1		
6	21M7395	SCREW	1		M4 X 8
7	14M7297	NUT	1		M5
8	R113042	BRACKET	1		
9	R95800	BEZEL	1		
10	37M7369	SCREW	2		(USE WITH R192370)
	37H215	SCREW	2		(USE WITH R161354)
11	37M7369	SCREW	2		(USE WITH R192370)
	37H215	SCREW	2		(USE WITH R161354)
12	H117239	PUSH NUT	2		(B)
13	H132795	PANEL	1		(B)
14	RE190139	RADIO	1		(A)
	RE190140	RADIO	1		(C)
	RE227953	RADIO	1		(D) (SUB FOR RE190141)
15	24M7138	WASHER	1		5.300 X 15 X 1.200 MM
..	R161354	ROOF	1		(SUB R192370)

(A) AM/FM STEREO/WEATHERBAND

(B) W/O RADIO

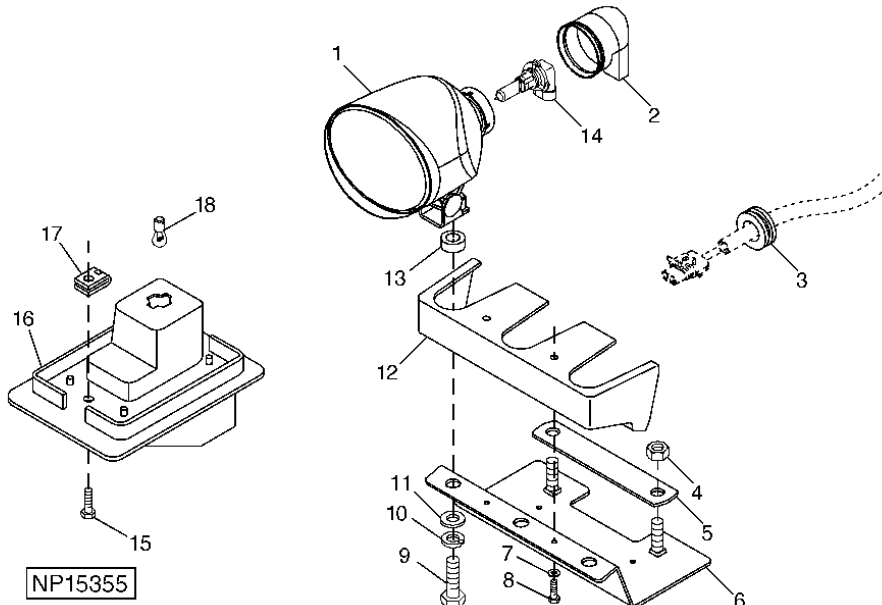
(C) AM/FM STEREO/CASSETTE/WEATHERBAND

(D) AM/FM STEREO/WEATHERBAND/COMPACT DISK

40-35

ROOF SIDE LIGHTS AND INTERIOR CAB COURTESY LIGHT

NP15355 -UN-19DEC05



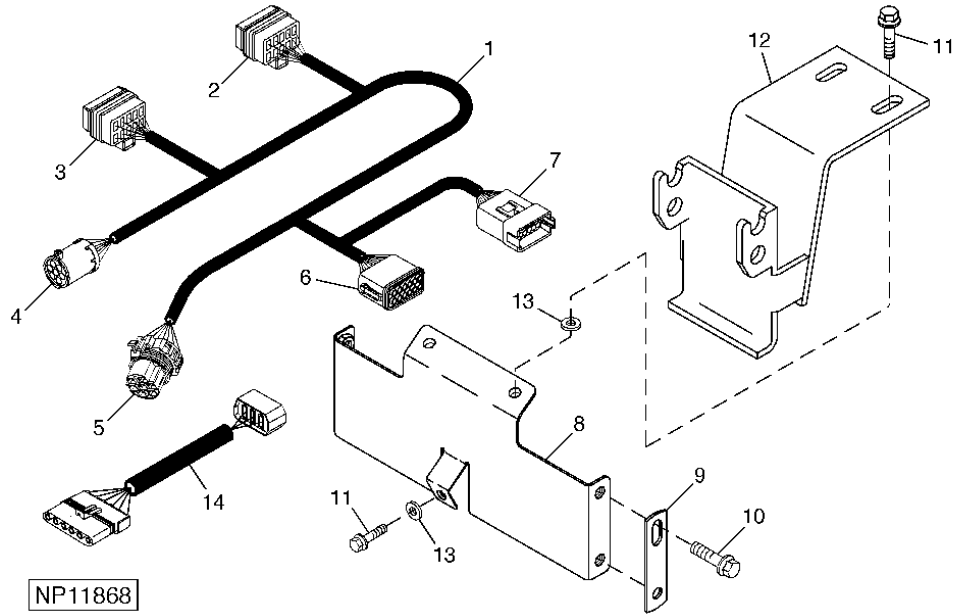
KEY	PART NO.	PART NAME	QTY.	SERIAL NO.	REMARKS
1	RE181281	FLOODLAMP	4		
2	R175462	BOOT	4		
3	R194198	GROMMET	2		
4	14M7517	LOCK NUT	4	M10	
5	R131714	SUPPORT	2		
6	RE180281	BRACKET	2		
7	24M7419	WASHER	8		4.300 X 12 X 1 MM
8	37M7334	SCREW	8		M4 X 20
9	19M7303	CAP SCREW	4		M12 X 45
10	12H301	LOCK WASHER	4		1/2"
11	24M7047	WASHER	4		13 X 24 X 2.500 MM
12	R180279	COVER	2		
13	R183947	SPACER	4		
14	RE179326	BULB	1		
15	37H203	SCREW	1		
16	RE57892	LAMP	1		
17	R52130	LOCK NUT	1		
18	AR48015	BULB	1		

40-45

ELECTRICAL SYSTEM

GREENSTAR™ WIRING HARNESS AND BRACKETS

NP11868 -UN-03JUL01



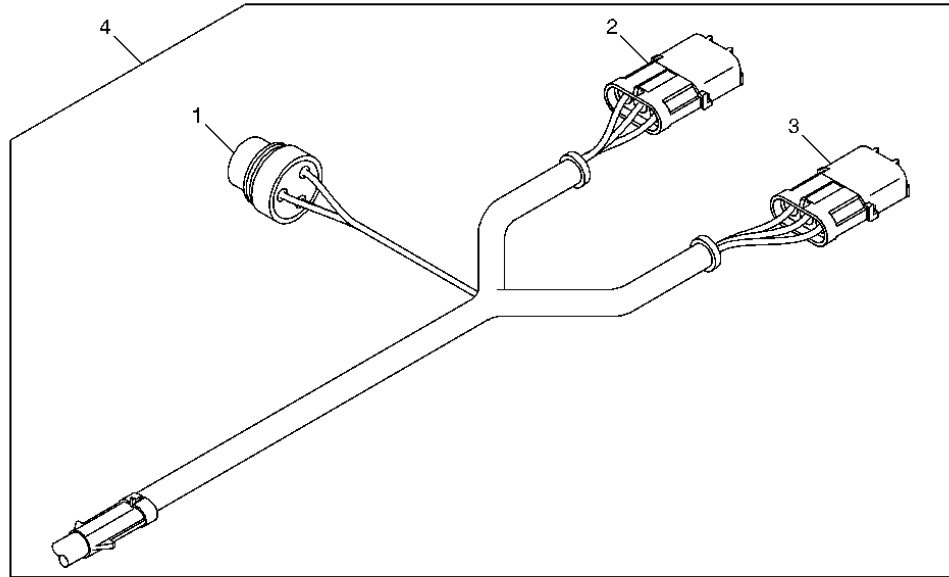
KEY	PART NO.	PART NAME	QTY.	SERIAL NO.	REMARKS
1	AN205352	WIRING HARNESS	1		(B) (C)
2	CONNECTOR	1		(D)
3	CONNECTOR	1		(E)
4	CONNECTOR	1		(F)
5	CONNECTOR	1		(G)
6	CONNECTOR	1		(H)
7	CONNECTOR	1		(I)
8	RE155713	BRACKET	1		(B)
9	R163378	SUPPORT	1		(B)
10	19M7862	SCREW	4		(B) M6 X 20
11	19M7866	SCREW	3		(B) M8 X 20
12	BRACKET	1		(A)
13	B32209	WASHER	3		(A)
14	AN205649	WIRING HARNESS	1		(J)
..	RE175670	KIT	1		(K) (INCL KEYS MARKED (A))
..	AN207011	MOUNTING PARTS	1		INCL KEYS MARKED (B)

- (C) GSD-MAPPING-GPS
- (D) MOBILE PROCESSOR
- (E) GREENSTAR™ DISPLAY
- (F) TO CAN HARNESS
- (G) TO PASSIVE CAN TERMINATOR
- (H) GPS RECEIVER
- (I) DUST COVER
- (J) POWER ADAPTER HARNESS
- (K) ORDER THRU COMPLETE GOODS (WATERLOO)

40-55

HIGH FLOW WIRING HARNESS (DUAL FLOWMETER)

NP14814 -UN-18MAY05



NP14814

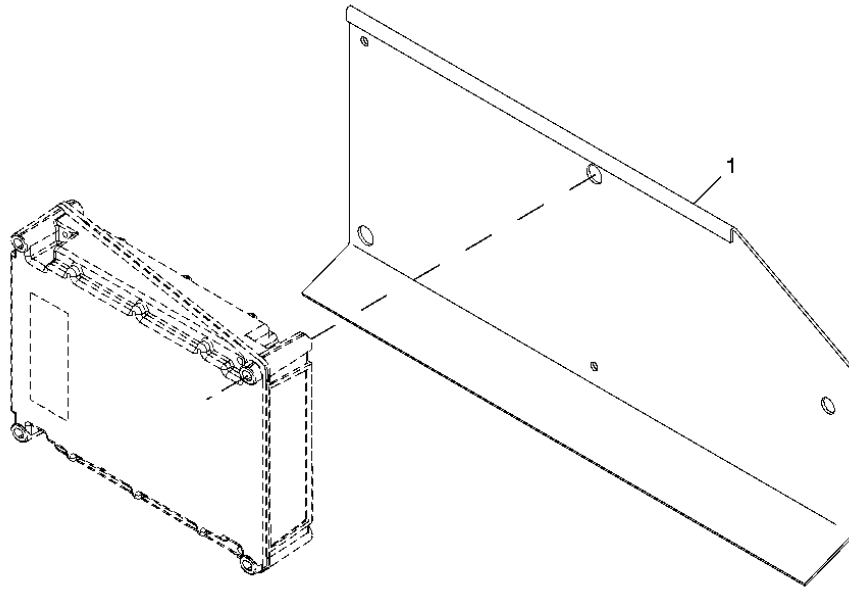
KEY	PART NO.	PART NAME	QTY.	SERIAL NO.	REMARKS
1	ELEC. CONNECTOR ACCESSORY	1		BOOM HARNESS FLOWMETER CONNECTION
2	ELEC. CONNECTOR ACCESSORY	1		FLOW METER 2
3	ELEC. CONNECTOR ACCESSORY	1		FLOW METER 1
4	AN208623	WIRING HARNESS	1		

40-65

ELECTRICAL SYSTEM

ENGINE CONTROLLER SHIELD

NP14903 -UN-17JUN05



NP14903

KEY	PART NO.	PART NAME	QTY.	SERIAL NO.	REMARKS
1	N306364	SHIELD	1		

50-7

POWER TRAIN

KEY	PART NO.	PART NAME	QTY.	SERIAL NO.	REMARKS
1	N370676	STRAP	1		
2	T78313	O-RING	4		
3	XPD361	DIAGNOSTIC COUPLING	4		
4	R77175	COVER	4		
5	AN206899	HYDRAULIC HOSE	1	(J)	
6	H114901	PLATE	AR		
7	H114898	CLAMP	AR		
8	H140180	CLAMP	22		
9	T76938	O-RING	5		
10	38H1209	TEE FITTING	1		
11	AN206897	HYDRAULIC HOSE	1	(A)	
	AN206898	HYDRAULIC HOSE	1	(B)	
	AN206900	HYDRAULIC HOSE	1	(C)	
	AN206901	HYDRAULIC HOSE	1	(D)	
12	AN206896	HYDRAULIC HOSE	1	(E)	
13	AN205240	HYDRAULIC HOSE	1	(F)	
	AN205401	HYDRAULIC HOSE	1	(G)	
14	19H1740	CAP SCREW	24		7/16" X 1-3/4"
15	H122182	FLANGE FITTING	12		
16	AN205450	TUBE	1	(H)	
	AN205451	TUBE	1	(I)	
17	R26448	O-RING	4		
18	38H1004	ELBOW FITTING	4		
19	T77613	O-RING	6		
20	AN205284	HYDRAULIC HOSE	2		
21	N206224	ORIFICE	2		
22	19M8039	SCREW	44		M8 X 80
23	24H1452	WASHER	44		1-1/32" X 1-3/4" X 0.105"
24	E63525	NUT	44		

- (A) FRONT LEFT REVERSE
- (B) FRONT RIGHT REVERSE
- (C) RIGHT REAR REVERSE
- (D) REAR LEFT REVERSE
- (E) FORWARD
- (F) FRONT HYD. PUMP
- (G) REAR HYD. PUMP
- (H) OIL LINE FRONT PUMP
- (I) OIL LINE REAR PUMP
- (J) REAR, FORWARD

50-17

POWER TRAIN

KEY	PART NO.	PART NAME	QTY.	SERIAL NO.	REMARKS
1	AN208053	HYDRAULIC MOTOR	1		(A)
2	XPD361	DIAGNOSTIC COUPLING	2		
3	R77175	COVER	2		
4	38H1159	ADAPTER FITTING	1		
5	T77814	O-RING	3		
6	R28782	O-RING	2		
7	38H1093	ELBOW FITTING	1		
8	38H1338	ADAPTER FITTING	1		
9	T59014	O-RING	2		
10	T107446	FLANGE FITTING	4		
11	AN206901	HYDRAULIC HOSE	1		
12	H140180	CLAMP	2		
13	H114898	CLAMP	1		
14	H114901	PLATE	1		
15	AN206899	HYDRAULIC HOSE	1		
16	AN206875	LINE	1		
17	AR46216	HOSE FITTING	1		
18	AN207233	HYDRAULIC HOSE	1		
19	AN207944	HYDRAULIC HOSE	1		
20	AN205213	HYDRAULIC HOSE	1		
21	38H1003	ELBOW FITTING	1		
22	19H2633	CAP SCREW	8		3/8" X 1-1/2"
23	AN205159	HOSE CLAMP	1		
24	HOSE	1		226", (MAKE FROM TY22563)
25	N231749	WASHER	2		
26	L36228	SCREW	2		
27	U12547	O-RING	2		
28	T77858	O-RING	1		
29	38H1094	ELBOW FITTING	1		
30	T77613	O-RING	2		

(A) 60CC

50-27

POWER TRAIN

KEY	PART NO.	PART NAME	QTY.	SERIAL NO.	REMARKS
1	T155678	SHAFT	1		(A)
2	T155677	KEY	1		
3	R151080	PIN	1		
4	AN203914	OIL PUMP	1		(B)
5	T167226	COUPLING	1		
6	N203486	BUSHING	1		
7	AN220423	COVER	1		
8	N203952	O-RING	1		
9	19H3385	CAP SCREW	4		
10	T155694	BEARING	4		
11	R151085	SCREW	4		
12	E65286	O-RING	1		(C)
	N203492	O-RING	1		(D)
13	E66413	O-RING	1		
14	AT214844	PLATE	1		
15	T155680	SCREW	6		
16	R110296	COVER	1		
..	AN205468	PUMP	1		(D) (E)
..	AN205467	PUMP	1		(C) (E)
..	AN220311	SEAL KIT	1		(F)

- (A) CHARGE PUMP DRIVE
- (B) CHARGE SET
- (C) FRONT PUMP
- (D) REAR PUMP
- (E) REMANUFACTURED
- (F) PUMP OVERHAUL SEAL KIT

50-37

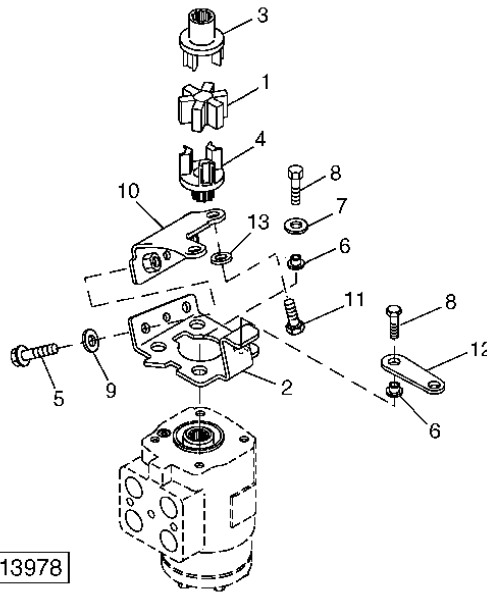
POWER TRAIN

KEY	PART NO.	PART NAME	QTY.	SERIAL NO.	REMARKS
1	N305593	SCREW	16		
2	N302116	PLUG	3		
3	AN207215	COVER	1		
4	N302117	PAD	1		
5	N305598	DISK	7		
6	N302119	SUN GEAR	1		
7	AN205589	PLANETARY ASSEMBLY	1		
8	N302120	SNAP RING	4		
9	AN205590	PLANETARY ASSEMBLY	4		
10	N302121	NUT	1		
11	N306955	GEAR CASE	1		
12	N304750	STUD	10		(SUB N308972)
	N308972	BOLT	10		
13	N302132	RETAINER	2		
14	N302133	SNAP RING	1		
15	N305600	SPACER	1		
16	L36228	SCREW	2		
17	AN208074	GASKET	1		
18	N306957	HUB	1		
19	AN208075	PLANETARY ASSEMBLY	1		
20	N306959	SHAFT	1		
21	AN207216	BEARING	2		
22	N302127	RING	6		
23	N302128	O-RING	2		
24	N302129	O-RING	1		
25	N302140	SPACER	1		
26	N302130	PISTON	1		
27	N302131	SPRING	20		
28	N305595	GEAR CASE	1		
29	N305594	O-RING	2		
30	AN205736	HUB	1		(A)

(A) 30.1:1 RATIO

STEERING VALVE BRACKET

NP13978 -UN-14MAY04



NP13978

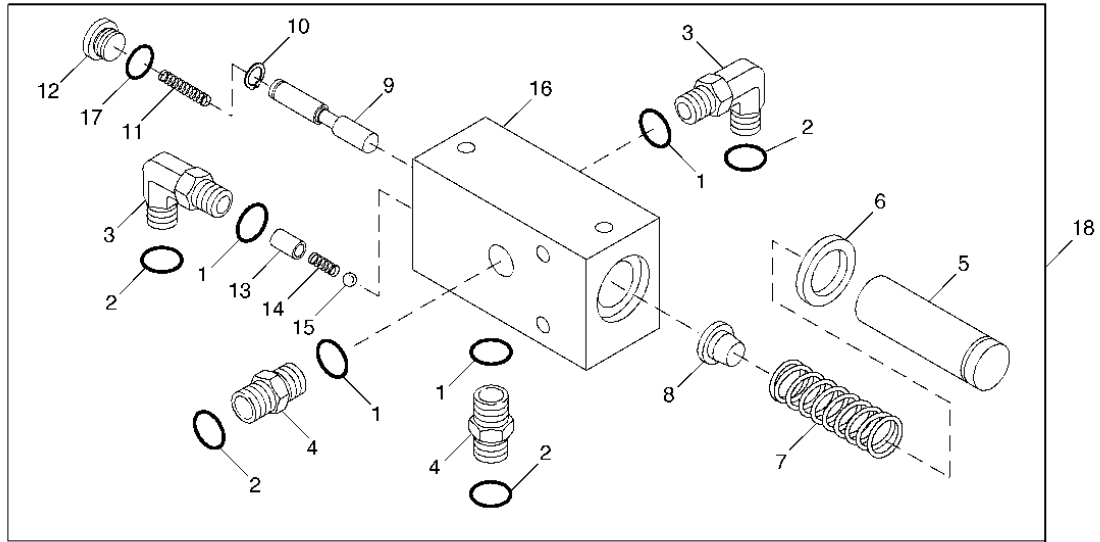
KEY	PART NO.	PART NAME	QTY.	SERIAL NO.	REMARKS
1	R126636	ISOLATOR	1		
2	R132275	BRACKET	1		
3	R126640	SPLINED COUPLING	1		
4	R126641	SPLINED COUPLING	1		
5	19M7785	SCREW	2		M10 X 25
6	AT116162	ISOLATOR	4		
7	24M7178	WASHER	3		10.500 X 30 X 2.500 MM
8	19M7786	SCREW	4		M10 X 30
9	24M7028	WASHER	2		10.500 X 20 X 2 MM
10	RE66710	BRACKET	1		
11	19M7167	CAP SCREW	2		M10 X 25
12	N209720	RETAINER	1		
13	24M7346	WASHER	2		11 X 20 X 2 MM

60-19

SERVICE BRAKE VALVE

NP14696

-UN-15MAR05



NP14696

KEY	PART NO.	PART NAME	QTY.	SERIAL NO.	REMARKS
1	R26448	O-RING	4		(B)
2	T77613	O-RING	4		
3	38H1004	ELBOW FITTING	1		
4	38H1160	ADAPTER FITTING	1		
5	AN205521	PISTON	1		
6	SEAL	1		(B)
7	SPRING	1		(A)
8	GUIDE	1		(A)
9	SPOOL	1		(A)
10	SNAP RING	1		(A)
11	EXTENSION SPRING	1		(A)
12	PLUG	1		(A)
13	RETAINER	1		(A)
14	SPRING	1		(A)
15	BALL	1		(A)
16	HOUSING	1		
17	E43492	O-RING	1		(B)
18	AN205275	VALVE	1		
..	AN205522	SEAL KIT	1		INCL KEYS MARKED (B)
..	AN205523	KIT	1		INCL KEYS MARKED (A)

65-9

60' BOOM

KEY	PART NO.	PART NAME	QTY.	SERIAL NO.	REMARKS
1	AN203953	CENTER FRAME	1		
2	N206598	WASHER	8		
3	N207145	BUSHING	1		
4	N207953	NUT	3		
5	N206541	PIN	1		
6	JD7844	LUBRICATION FITTING	6		
7	AN203790	PIN FASTENER	4		
8	N208032	NUT	10		
9	AN203313	LINK	2		
10	N208052	SCREW	2		
11	N207144	STRAP	2		
12	N208029	NUT	2		
13	AN203777	CABLE	1		
14	N206530	STRAP	6		
15	N208055	SCREW	18		
16	N208030	NUT	20		
17	N208050	SCREW	4		
18	N207976	SCREW	2		
19	AN204949	FRAME	1		
20	N206344	CHANNEL	2		
21	N206342	CHANNEL	1		
22	N306987	ANGLE	1		
23	N207274	BRACKET	1	-5000	
	N308499	BRACKET	1	5001-	
24	N208099	SCREW	4		
25	N208033	LOCK NUT	4		
26	T42687	BUSHING	8		
27	N207953	LOCK NUT	2		
28	N207971	SCREW	2		
29	AN203793	PIN FASTENER	2		
30	N208028	LOCK NUT	2		
31	N208060	WASHER	2		
32	N208061	PIN FASTENER	4		
33	AR60327	OIL LINE	4		
34	N208158	WASHER	4		

65-19

60' BOOM

KEY	PART NO.	PART NAME	QTY.	SERIAL NO.	REMARKS
1	AN205060	LIFT ARM	1		
2	19M7828	SCREW	4		M16 X 100
3	14M7291	FLANGE NUT	4		M16
4	19M7780	CAP SCREW	2		M24 X 110
5	A31871	LOCK NUT	2		M24
6	N204161	REINFORCEMENT	2		
7	AN207875	HYDRAULIC CYLINDER	2		
	AN208520	SEAL KIT	1		
8	AN152404	ARM	2		(A)
9	19M8180	SCREW	2		M20 X 160
10	N207428	SPACER	2		
11	N205404	PIN FASTENER	2		
12	N207429	PIN FASTENER	2		
13	24H1452	WASHER	10		1-1/32" X 1-3/4" X 0.105"
14	11M7038	COTTER PIN	4		6.300 X 40 MM
15	24H1236	WASHER	6		20.625 X 50.800 X 3.785 MM
16	A31870	LOCK NUT	2		
17	N204549	BUSHING	4		
18	A17536	SPACER	2		23 X 31.750 X 25.400 MM
19	N208061	PIN FASTENER	1		
20	AR60372	QUICK LOCK PIN	1		

(A) STABILIZER

65-29

60' BOOM

KEY	PART NO.	PART NAME	QTY.	SERIAL NO.	REMARKS
1	PMRB200-125	BUSHING	1		(SUB FOR A53961)
2	N308499	BRACKET	1		
3	AN205155	HOSE CLAMP	10		
4	AN205172	METER	1		
5	PMFC220	CLAMP	1		(SUB FOR AN205607)
6	AN208851	VALVE	1		
7	AT105289	CLAMP	2		
8	PMHB150-125	FITTING	1		(SUB FOR N205200)
9	HOSE	2		11". (MAKE FROM N205190) STRAINER OUTLET
10	PMHB125	FITTING	1		(SUB FOR N275211)
11	PM200-G	GASKET	1		EPDM
	PM200GV	GASKET	1		VITON
12	PMM200125BR	FITTING	1		(SUB FOR N303743)
13	PMHB150-200	FITTING	1		

70-11

HYDRAULIC SYSTEM

KEY	PART NO.	PART NAME	QTY.	SERIAL NO.	REMARKS
1	R28782	O-RING	5		
2	U12547	O-RING	3		
3	R26448	O-RING	2		
4	AN207183	CHECK VALVE	2		
	AN207184	SEAL KIT	2		
5	N304196	PLUG	1		
6	AN206492	FLOW CONTROL HYD. VALVE	1		
	AN206855	SEAL KIT	1		
7	AN207130	SOLENOID VALVE	1		
8	AN207855	SOLENOID VALVE COIL	1		
9	N223292	NUT	2		(SUB FOR AN207854) (ALSO ORDER R28782)
10	AN207185	SOLENOID VALVE COIL	1		
11	AN207835	SOLENOID VALVE	1		
	AN207423	KIT	1		
12	AN208950	COMPENSATOR	1		(SUB FOR AN207836)
	AN207424	KIT	1		
13	N305925	PLUG	2		
14	AN208982	CONTROL VALVE	1		(SUB FOR AN207831)
	AH209121	SEAL KIT	1		
15	38H1007	ELBOW FITTING	1		
16	38H1003	ELBOW FITTING	1		
17	T77814	O-RING	4		
18	R28782	O-RING	6		
19	RE60700	DIAGNOSTIC COUPLING	1	-5000	
	MT1531	THREADED NIPPLE	1	5001-	
20	R77175	COVER	1		
21	38H1159	ADAPTER FITTING	2		
22	38H1045	ELBOW FITTING	1		
23	T77613	O-RING	5		
24	R26448	O-RING	5		
25	U44115	FITTING PLUG	2		(SUB FOR AN207854) (USE WITH R28782)
26	R27175	DRAIN PLUG	1		
27	38H1004	ELBOW FITTING	2		
28	19M7866	SCREW	2		M8 X 20
29	19M8321	SCREW	2		M6 X 45
30	N305529	ANGLE	1		
31	AN202514	VALVE	1		
32	14M7303	FLANGE NUT	2		M6
33	38H1023	TEE FITTING	2		
34	AN207127	HYDRAULIC HOSE	2		
35	AN207126	HYDRAULIC HOSE	3		
36	AN205378	HYDRAULIC HOSE	1		
37	AN205003	HYDRAULIC HOSE	1		
38	AN231663	HYDRAULIC HOSE	1		
39	AN209221	HYDRAULIC HOSE	1		
40	38H1048	ELBOW FITTING	1		
41	T77858	O-RING	2		
42	38H1435	ELBOW FITTING	1		
43	38H1038	TEE FITTING	1		
44	AN206135	HYDRAULIC HOSE	1		
45	AN207124	HYDRAULIC HOSE	1		
46	AN207125	HYDRAULIC HOSE	1		
47	38H1146	FITTING PLUG	1		
48	19M8039	SCREW	1		M8 X 80
49	H114901	PLATE	2		
50	H114898	CLAMP	2		
51	E63525	NUT	1		
52	AN206126	HYDRAULIC HOSE	1		

70-21

HYDRAULIC SYSTEM

KEY	PART NO.	PART NAME	QTY.	SERIAL NO.	REMARKS
1	N51168	SNAP RING	1	(A)	
2	E55716	SEAL	1	(A)	
3	E55717	WASHER	1		
4	M42702	SNAP RING	2	(A)	
5	E57805	THRUST BEARING RACE	2		
6	JD9961	THRUST BEARING	1		
7	AE38359	BEARING	1		
8	JD8813	NEEDLE BEARING	2		
9	E65261	BEARING RACE	2		
10	Z47990	O-RING	2	(A)	
11	R54114	SNAP RING	2	(A)	
12	N221133	SPRING	1		
13	N221138	BUSHING	1		
14	N221134	PIVOT	1		
15	34H275	SPRING PIN	1		3/16" X 1/2"
16	N221131	PLATE	1		
17	AE37687	KIT	1	(B)	
18	E65248	GASKET	1	(A)	
19	N221132	PISTON	1		
20	AN203867	PLATE	1		
21	U40962	O-RING	1	(A)	
22	AN203866	COMPENSATOR	1		
23	19H1732	CAP SCREW	4		3/8" X 1-1/4"
24	19H2898	CAP SCREW	2		1/2" X 1-1/4"
25	12H301	LOCK WASHER	2		1/2"
26	GASKET	1	(A)	
27	COVER	2		
28	R26448	O-RING	1		
29	U11343	O-RING	1		
30	E56086	O-RING	1		
31	R459R	O-RING	1		
32	CAP SCREW	4		
33	SHAFT	1		
34	AN202916	HYDRAULIC PUMP	1		
35	E66413	O-RING	1		
..	AN203287	SEAL KIT	1		INCL KEYS MARKED (A)
..	AN208088	SEAL KIT	1		(C)

(B) ROTATING PISTON AND CYLINDER BLOCK

(C) LOW PRESSURE STANDBY COMPENSATOR (INCLUDES SPRING FOLLOWER, BACKUP RING AND O-RING)

70-31

HYDRAULIC SYSTEM

KEY	PART NO.	PART NAME	QTY.	SERIAL NO.	REMARKS
1	AN207816	VALVE	1		(B)
2	19M8318	SCREW	4		M8 X 45
3	E63525	NUT	5		
4	38H1004	ELBOW FITTING	4		
5	T77613	O-RING	14		
6	R26448	O-RING	8		
7	38H1160	ADAPTER FITTING	4		
8	N306068	ANGLE	1		
9	AN207597	HYDRAULIC HOSE	2		(C)
10	AN207598	HYDRAULIC HOSE	2		(D)
11	38H1564	ELBOW FITTING	4		
12	R28782	O-RING	4		
13	H77698	TIE BAND	AR		
14	R26375	O-RING	4		
15	AN208049	HYDRAULIC HOSE	2		(E)
16	N191985	CLIP	2		
17	AN207600	HYDRAULIC HOSE	1		(F)
18	38H1171	ADAPTER FITTING	2		
19	R49921	CLAMP	1		
20	H120847	CLAMP	2		
21	19M8317	SCREW	1		M8 X 40
22	AN207067	HYDR./PILOT CONTROL VALVE	1		
	AN207815	SEAL KIT	1		(A)

- (A) TOE CONTROL VALVE SEAL KIT
- (B) TOE CONTROL CARTRIDGE
- (C) STEERING CYLINDER ROD
- (D) STEERING CYLINDER HEAD
- (E) STEERING VALVE
- (F) TOE CONTROL JUMPER

75-9

80/90' BOOM

KEY	PART NO.	PART NAME	QTY.	SERIAL NO.	REMARKS
1	AN205550	HYDRAULIC CYLINDER	2		(A)
	AN205551	HYDRAULIC CYLINDER	2		(B)
2	H102013	ORIFICE	4		
3	38H1160	ADAPTER FITTING	2		
4	T77613	O-RING	4		
5	AN205016	HYDRAULIC HOSE - FABRICATE	4		9/16" X 2 464 MM X 11/16"
6	T77814	O-RING	4		
7	38H1159	ADAPTER FITTING	4		
8	R26448	O-RING	4		
9	38H1004	ELBOW FITTING	2		
10	R28782	O-RING	4		
..	BN202419	COMPLETE GOODS/SHIP. BUNDLE	1		(C)

(A) 0° TO 10° UP

(B) 5° DOWN TO 10° UP

(C) LARGE BOOM BELOW HORIZONTAL TILT KIT

75-19

80/90' BOOM

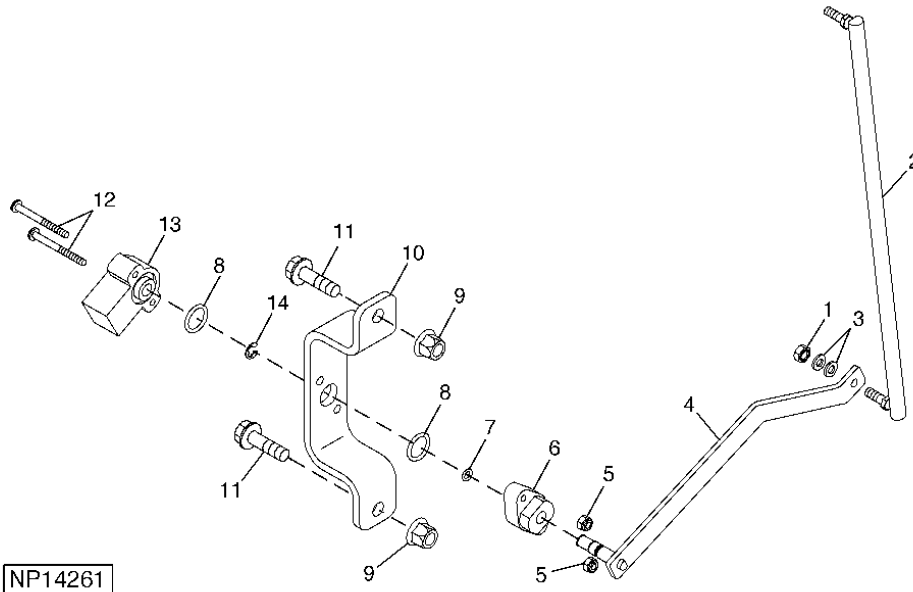
KEY	PART NO.	PART NAME	QTY.	SERIAL NO.	REMARKS
1	AN207181	HYDRAULIC CYLINDER	2		
2	T77613	O-RING	8		
3	38H1435	ELBOW FITTING	2		
4	T77814	O-RING	4		
5	38H1159	ADAPTER FITTING	4		
6	R28782	O-RING	8		
7	AN205492	HYDRAULIC HOSE - FABRICATE	4		
8	N207506	ORIFICE	4		

75-29

80/90' BOOM

RETURN TO HEIGHT LINKAGE

NP14261 -UN-12AUG04



KEY	PART NO.	PART NAME	QTY.	SERIAL NO.	REMARKS
1	T10581	LOCK NUT	2		
2	AN233139	TIE ROD ASSEMBLY	1		
3	24M7054	WASHER	2		6.400 X 12 X 1.600 MM
4	AN206198	ARM	1		
5	N203905	LOCK NUT	2		
6	R100686	SUPPORT	1		
7	A4365R	O-RING	1		
8	P48347	O-RING	2		
9	N207957	LOCK NUT	2		
10	N303602	BRACKET	1		(SUB N308053)
	N308053	BRACKET	1		
11	19M7835	SCREW	2		M10 X 35
12	21H1383	SCREW	2		0.190" X 2"
13	AN277922	SENSOR	1		(SUB (5) AN279749)
14	R72653	SNAP RING	1		
..	N307775	SOFTWARE	1		

75-39

80/90' BOOM

KEY	PART NO.	PART NAME	QTY.	SERIAL NO.	REMARKS
1	AN206927	SENSOR	2		
2	N207762	WASHER	1		
3	N208012	SNAP RING	2		
4	AN203803	SELF-ALIGNING BUSHING	2		
5	AN205550	HYDRAULIC CYLINDER	2		(A)
	AN205551	HYDRAULIC CYLINDER	2		(B)
6	N207706	WASHER	4		
7	AN204263	ISOLATOR	2		
8	E59406	FLANGE NUT	2		
9	N207983	CAP SCREW	2		
10	AN205651	LINK	1		
11	N208004	LOCK NUT	6		
12	N207991	CAP SCREW	6	-5000	
	N307993	CAP SCREW	6	5001-	
13	N208446	SPACER	2		
14	N208455	SCREW	2		
15	AN204791	ROCKER	2	-5000	
	AN208455	ROCKER	2	5001-	
16	N208477	BUMPER	4		
17	19H1854	CAP SCREW	2		3/8" X 3-3/4"
18	24H1245	WASHER	1		1-9/32" X 2" X 0.105"
19	AN206853	HYDRAULIC CYLINDER	2		(C) (SUB AN207080)
	AN207080	HYDRAULIC CYLINDER	2		(C)
20	N208000	WASHER	2		
21	N208823	SPACER	2	-5000	
22	N207807	SOLID SHIM	AR		
23	N207979	CAP SCREW	1		
24	N207792	WASHER	6		
25	N208004	LOCK NUT	1		
26	N207953	LOCK NUT	2		
27	AN205654	ROD	1		
28	JD7799	LUBRICATION FITTING	2		
29	AN204654	BALL JOINT	2		
30	AN205650	BASE	1		
31	N306182	CAP SCREW	1		
32	N306768	LOCK NUT	1		
33	24H1658	WASHER	1		21/32" X 1" X 0.060"

- (A) STANDARD TILT
- (B) BELOW HORIZONTAL TILT
- (C) INNER FOLD

CLICK HERE TO **DOWNLOAD** THE COMPLETE MANUAL

- Thank you very much for reading the preview of the manual.
- You can download the complete manual from: www.heydownloads.com by clicking the link below



- Please note: If there is no response to CLICKING the link, please download this PDF first and then click on it.

CLICK HERE TO **DOWNLOAD** THE COMPLETE MANUAL

75-49

80/90' BOOM

MEMORANDA

75-59

80/90' BOOM

MEMORANDA

75-69

80/90' BOOM

KEY	PART NO.	PART NAME	QTY.	SERIAL NO.	REMARKS
1	A52618	FITTING	2		
2	N208013	CAP SCREW	8		
3	N308307	BRACKET	4		
4	AN207395	SPRAYER BOOM	1		
5	AN207399	SPRAYER BOOM	1		
6	PMTEE100	TEE FITTING	1		(SUB FOR N202731)
7	PMHB10007590	HOSE FITTING	1		(SUB FOR N203343)
8	N207263	HALF CLAMP	8		
9	N207956	LOCK NUT	8		
10	N207959	LOCK NUT	4		
11	N207965	SCREW	4		
12	N207997	WASHER	16		

75-79

80/90' BOOM

KEY	PART NO.	PART NAME	QTY.	SERIAL NO.	REMARKS
1	A52618	FITTING	2		
2	N208013	CAP SCREW	8		
3	N308307	BRACKET	4		
4	AN206665	SPRAYER BOOM	2		
5	PMTEE100	TEE FITTING	1		(SUB FOR N202731)
6	PMHB10007590	HOSE FITTING	1		(SUB FOR N203343)
7	N207263	HALF CLAMP	8		
8	N207956	LOCK NUT	8		
9	N207959	LOCK NUT	4		
10	N207965	SCREW	4		
11	N207997	WASHER	16		

75-89

80/90' BOOM

KEY	PART NO.	PART NAME	QTY.	SERIAL NO.	REMARKS
1	A52618	FITTING	2		
2	N209044	BRACKET	2		
3	AN208506	SPRAYER BOOM	2		
4	PMNIP100-SH	THREADED NIPPLE	1		(SUB FOR N202726)
5	PMTEE100	TEE FITTING	2		(SUB FOR N202731)
6	N202992	HOSE FITTING	2		
7	N207263	HALF CLAMP	4		
8	N207956	LOCK NUT	4		
9	N207997	WASHER	8		
10	N208013	CAP SCREW	4		

80-7

SOLUTION CONTROLS

KEY	PART NO.	PART NAME	QTY.	SERIAL NO.	REMARKS
1	AN204460	NOZZLE	2		
2	AN204539	COVER	1		
3	PMTF075	FITTING	2		
4	AN206544	NOZZLE	2		
5	TANK	1		
6	PMSL075-90	ELBOW FITTING	2		(SUB FOR N202734)
7	N207710	HOSE FITTING	1		
8	AN206963	TANK	1		
9	AN207060	STRAP	2		(SUB AN209248)
	AN209248	STRAP	2		
10	N198631	CLAMP	1		
11	19M7785	SCREW	2		M10 X 25
12	N304142	LABEL	1		
13	N208559	GASKET	1		
14	N208560	GASKET	1		

80-17

SOLUTION CONTROLS

KEY	PART NO.	PART NAME	QTY.	SERIAL NO.	REMARKS
1	A61710	FITTING	1		
2	A61734	WASHER	5		
3	AA46330	CLAMP	5		
4	AH77714	CLIP	1		
5	AN204514	HOSE FITTING	1		
6	AN205155	HOSE CLAMP	4		
7	AN205161	HOSE CLAMP	2		
8	AN205607	CLAMP	3		
9	AT105289	CLAMP	2		
10	N207957	LOCK NUT	1		
11	N302145	GASKET	3		
12	N302496	REDUCER	1		
13	N302497	HOSE FITTING	1		
14	N302516	TEE FITTING	1		
15	N304172	FITTING	2		
16	N305708	SCREW	1		
17	PMM200125BR	ELBOW FITTING	2		
18	HOSE	1		58", (MAKE FROM TY27526)
19	R76477	TIE BAND	1		

80-27

SOLUTION CONTROLS

KEY	PART NO.	PART NAME	QTY.	SERIAL NO.	REMARKS
1	PMMVSF220FP	HAND OPERATED VALVE	1		(SUB FOR AN206458)
2	PM200-G	GASKET	12		EPDM
	PM200GV	GASKET	12		VITON
3	PMFC220	CLAMP	12		(SUB FOR AN205607)
4	PMM220CPG45	ELBOW FITTING	2		(SUB FOR N303879)
5	PMFC300	CLAMP	1		(SUB FOR AN205534)
6	PMM300220CPG	FITTING	1		(SUB FOR N302048)
7	PMM200TEE	TEE FITTING	1		
8	PMM220CPG90	ELBOW FITTING	1		(SUB FOR N304000)
9	PMMV220CF	HAND OPERATED VALVE	2		(SUB FOR AN206459)
10	PMM200BRB	FITTING	4		
11	AT105289	CLAMP	4		
12	HOSE	1		23.5", (MAKE FROM TY27526)
13	PMM220MPT	ADAPTER FITTING	1		(SUB FOR N302499)
14	N304299	BRACKET	1		(SUB N309921)
	N309921	BRACKET	1		
15	N304949	MANIFOLD	1		
16	HOSE	1		39", (MAKE FROM TY27526)
17	PMM220CPG	COUPLING	1		(SUB FOR N302518)
18	PMMV220BL	HAND OPERATED VALVE	1		(SUB FOR AN206455)
19	PM220150BRB9	HOSE FITTING	1		(SUB FOR N302044)
20	RE25110	CLAMP	2		
21	HOSE	1		37.25", (MAKE FROM TY25756)
22	PMM200150BRB	ELBOW FITTING	1		(SUB FOR A61541)
23	AN206760	HAND OPERATED VALVE	1		
	PMV20163	O-RING	1		PKG. OF 10
24	N304812	BRACKET	1	-5000	
	N308019	BRACKET	1	5001-	
25	AN206418	EXTENSION	1		
26	19H2021	CAP SCREW	1		3/8" X 5/8"
27	24H1924	WASHER	1		25/64" X 1-1/4" X 0.065"
28	AA46890	FITTING	1		
29	AN161286	LINK CHAIN	1		
30	19M7867	SCREW	1		M8 X 25
31	14M7396	LOCK NUT	1		M8
32	PMVS25153	HANDLE	1		

80-37

SOLUTION CONTROLS

KEY	PART NO.	PART NAME	QTY.	SERIAL NO.	REMARKS
1	N205134	COVER	1		
2	AN203503	FITTING	1		
3	AN206470	TANK	1		
4	PMHB150	FITTING	1		(SUB FOR N202736)
5	AT170921	CLAMP	4		
6	HOSE	1		68.5", (MAKE FROM TY27528)
7	PMM220150BR	FITTING	2		(SUB FOR N303719)
8	PM200-G	GASKET	3		EPDM
	PM200GV	GASKET	3		VITON
9	PMFC220	CLAMP	3		(SUB FOR AN205607)
10	PMM220TEE	TEE FITTING	1		(SUB FOR N302516)
11	HOSE	1		19", (MAKE FROM TY25756)
12	PMM200150BR	FITTING	1		
13	PM150G	GASKET	2		(SUB FOR A61734) EPDM
	PM150GV	GASKET	2		VITON
14	AA46330	CLAMP	2		
15	PMM200CPG45	ELBOW FITTING	1		(SUB FOR N302515)
16	N308020	BRACKET	1		
17	N208099	SCREW	2		
18	N208008	NUT	2		
19	AN202315	CAP	1		
20	AN161286	LINK CHAIN	1		
21	PMM220MPT	ADAPTER FITTING	1		(SUB FOR N302499)
22	AN206816	CHECK VALVE	1		
23	AA44813	BALL COCK VALVE	1		

80-47

SOLUTION CONTROLS

KEY	PART NO.	PART NAME	QTY.	SERIAL NO.	REMARKS
1	AT170921	CLAMP	2		
2	AA46330	CLAMP	5		
3	PMM200PLG075	PIPE PLUG	1		(SUB FOR N304146)
4	PM150G	GASKET	4		(SUB FOR A61734) EPDM
	PM150GV	GASKET	4		VITON
5	PMM200TEE	TEE FITTING	1		(SUB FOR A61710)
6	AN206441	VENTURI	1		
7	PMM200MPT	FITTING	1		
8	PMM200100BRB	FITTING	1		(SUB FOR N304172)
9	N207710	HOSE FITTING	3		
10	AN205160	HOSE CLAMP	1		
11	N304303	FITTING	1		
12	RE25110	CLAMP	2		
13	HOSE	1		(MAKE FROM TY27528)
14	HOSE	1		12.5", (MAKE FROM TY24411)
15	N307885	O-RING	1		EPDM
16	HOSE	1		104", (MAKE FROM TY25756)
17	PMM220150BRB	FITTING	1		(SUB FOR N303719)
18	PMFC220	CLAMP	1		(SUB FOR AN205607)
19	PMM220TEE	TEE FITTING	1		(SUB FOR N302516)
20	PMM220PLG075	FITTING	1		(SUB FOR N305011)
21	AN206587	ADAPTER FITTING	1		
22	HOSE	1		115.5", (MAKE FROM TY25743)
23	HOSE	1		60", (MAKE FROM TY27526)
24	AT105289	CLAMP	1		
25	PM200-G	GASKET	2		EPDM
	PM200GV	GASKET	2		VITON
26	PMRB-075-050	FITTING	1		
27	PMHB-200	HOSE FITTING	1		

80-57

SOLUTION CONTROLS

KEY	PART NO.	PART NAME	QTY.	SERIAL NO.	REMARKS
1	AN206073	HOSE FITTING	2		
2	AN207542	SOLENOID VALVE COIL	4		
3	AN207543	SOLENOID VALVE COIL	2		
4	AN207574	MANIFOLD	1	-5982	
	AN209132	MANIFOLD	1	5983-	
5	AN205140	FITTING	2		
6	AN207573	MANIFOLD	1	-5982	
	AN209131	MANIFOLD	1	5983-	
7	N306183	O-RING	2		
8	AN204619	UNION FITTING	1		
9	AN204762	UNION FITTING	2		
10	AN207567	VALVE	1		

80-67

SOLUTION CONTROLS

50 GALLON FOAM MARKER HOSES AND FITTINGS - CONTINUED

KEY	PART NO.	PART NAME	QTY.	SERIAL NO.	REMARKS
1	AN205630	HOSE FITTING	3		
2	TUBE	2		69", (MAKE FROM TY25742)
3	N203220	FITTING	1		
4	PMEL050-90	ELBOW FITTING	1		
5	PMNIP050-SH	THREADED NIPPLE	1		
6	AN207939	VALVE	1		
7	AN204605	FILTER	1		
8	PMHB075-90	FITTING	1		(SUB FOR N203165)
9	HOSE	1		6.7", (MAKE FROM TY24414)
10	PMM220PLG075	FITTING	1		(SUB FOR N305011)
11	PMFC220	CLAMP	1		(SUB FOR AN205607)
12	PM150G	GASKET	1		(SUB FOR A61734) EPDM
	PM150GV	GASKET	1		VITON
13	PMSL075-45	ELBOW FITTING	1		(SUB FOR N205148)
14	N308927	ANGLE	1		
15	PMV100FP	VALVE	1		(SUB FOR AN206456)
16	AA44813	BALL COCK VALVE	1		
17	TUBE	1		42", (MAKE FROM TY25742)
18	N308644	BRACKET	1		
19	19M7866	SCREW	2		M8 X 20
20	14M7396	LOCK NUT	4		M8
21	PMHB12510090	HOSE FITTING	1		(SUB FOR N275431)
22	AN205155	HOSE CLAMP	3		
23	HOSE	1		53.5", (MAKE FROM TY25754)
24	19M7867	SCREW	2		
25	N308534	PLATE	1		
26	PMHB100-90	FITTING	1		(SUB FOR N203094)
27	MT1215	GROMMET	1		
28	MT1073	GROMMET	1		
29	PMHB-100	HOSE FITTING	1		
30	19M7785	SCREW	3		M10 X 25
31	E63526	NUT	3		
32	AA46890	FITTING	1		
33	AH77714	CLIP	1		
34	AN205159	HOSE CLAMP	2		
35	PMHB075	FITTING	1		(SUB FOR N202990)
36	HOSE	1		22.6", (MAKE FROM TY25754)
37	PMSL050-90	ELBOW FITTING	1		

80-77

SOLUTION CONTROLS

KEY	PART NO.	PART NAME	QTY.	SERIAL NO.	REMARKS
1	AN206200	TOGGLE/ROCKER SWITCH	1		(A)
2	AN204265	WIRING HARNESS	1		(B) (SUB AN208599)
	AN208599	WIRING HARNESS	1		(B)
	AN204266	WIRING HARNESS	1		(C)
3	AN206835	ACTUATOR	1		
	AN205488	SEAL KIT	1		
4	N209802	BRACKET	1		
5	AN205483	KIT	1		(SUB N208243, N208245, N302012 AND N209804)
6	37H148	SCREW	1		1/4" X 5/8"
7	AN205419	HOSE FITTING	2		INCLUDES (2) N208343 O-RINGS
8	PMHB075-90	FITTING	1		(SUB FOR N203165)
9	AN205155	HOSE CLAMP	4		
10	HOSE	1		276", (MAKE FROM TY24411)
11	PMHBT100-075	HOSE FITTING	1		(SUB FOR N207709)
12	N207710	HOSE FITTING	1		
13	AN205158	HOSE CLAMP	2		
14	HOSE	1		(MAKE FROM N155877)
15	HOSE FITTING	1		SUB PMHB-025/038SS
16	N208019	SCREW	2		
17	H115533	CLAMP	2		
18	N207956	LOCK NUT	2		
19	N207735	BRACKET	1		
20	H77698	TIE BAND	AR		
21	N207997	WASHER	4		
22	N205470	HOSE FITTING	1		
23	N205660	SEALING WASHER	1		
24	N187815	CAP	1		
25	TY22485	HOSE CLAMP	AR		
26	AA46330	CLAMP	2		
27	N303122	STRAP	1		
28	N302149	BRACKET	1		
29	N308996	PIN	1		(SUB FOR N208243)
30	N208245	O-RING	1		
31	AN207220	VALVE	1		(USE WITH AN206835) (SUB AN208603, N208245, N302012, N209805 AND AA46330)
32	N207635	BRACKET	1		
33	N205466	BRACKET	1		
34	N208017	SCREW	2		
35	N208007	NUT	2		
36	N302012	O-RING	1		
37	N209804	FITTING	1		
..	BN202057	COMPLETE GOODS/SHIP. BUNDLE	1		(D)

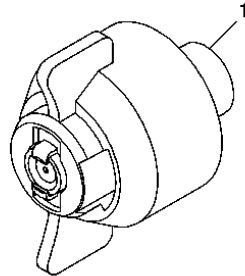
- (A) ON-OFF DPDT
- (B) ENDROW 60/80/90'
- (C) ENDROW 80/90'
- (D) FENCE ROW NOZZLE

80-87

SOLUTION CONTROLS

QUICK CHANGE HOLLOW CONE CERAMIC SPRAY TIPS

NP14535 -UN-20DEC04



KEY	PART NO.	PART NAME	QTY.	SERIAL NO.	REMARKS
1	PMQHCC4	NOZZLE	1		(INCLUDES (6) PMHCC4, (6) PM200040-1 AND (6) PM905)
	PMQHCC6	NOZZLE	1		(INCLUDES (6) PMHCC6, (6) PM200040-1 AND (6) PM905)
	PMQHCC12	NOZZLE	1		(INCLUDES (6) PMHCC12, (6) PM200040-1 AND (6) PM905)
	PMQHCC17	NOZZLE	1		(INCLUDES (6) PMHCC17, (6) PM200040-1 AND (6) PM905)
..	PM200040-1	SEAL	1		
..	PM310	STRAINER	1		(A) (D)
..	PMHCC4	NOZZLE	1		
..	PMHCC6	NOZZLE	1		
..	PMHCC12	NOZZLE	1		
..	PMHCC17	NOZZLE	1		
..	PM905	SPRAYER NOZZLEHOLDER CAPS	1		
..	PM311	STRAINER	1		(B) (D)
..	PM909-1	CAP	1		(C)

- (A) 50 MESH
- (B) 100 MESH
- (C) BLANK
- (D) STAINLESS STEEL

80-97

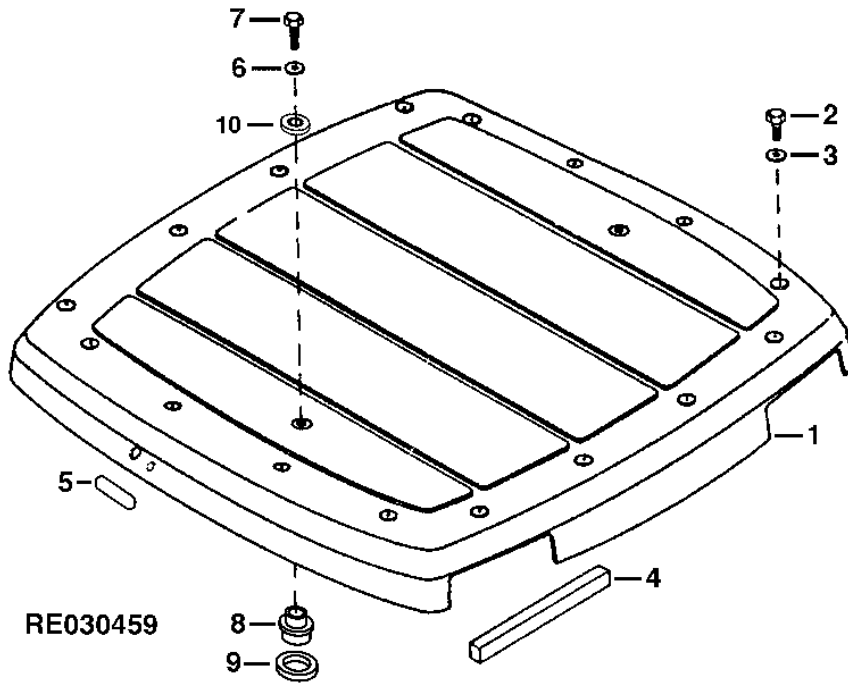
SOLUTION CONTROLS

KEY	PART NO.	PART NAME	QTY.	SERIAL NO.	REMARKS
1	N208343	O-RING	4		
2	AN204545	HOSE FITTING	2		
3	N208243	PIN	1		
4	N209804	FITTING	1		
5	AA46330	CLAMP	1		
6	N208245	O-RING	1		
7	N302012	O-RING	1		
8	AN208603	VALVE	1		
9	AN206835	ACTUATOR	1		
10	N205662	LOCK NUT	8		
11	N207997	WASHER	8		
12	R26375	O-RING	1		
13	AN206927	SENSOR	1		

90-9

OUTER ROOF

RE030459 -UN-24MAR99



RE030459

KEY	PART NO.	PART NAME	QTY.	SERIAL NO.	REMARKS
1	RE193841	ROOF	1		
2	R117569	SCREW	16		
3	24M7100	WASHER	16		6.600 X 22 X 2 MM
4	R125869	PAD	2		
5	R204258	COVER	1		
6	24M7315	WASHER	2		0.669" X 1.969" X 0.118"
7	19M7394	CAP SCREW	2		M16 X 25
8	R152119	SPACER	2		
9	R152120	SEAL	2		
10	R41440	GROMMET	1		

90-19

OPERATOR'S PLATFORM AND CAB

KEY	PART NO.	PART NAME	QTY.	SERIAL NO.	REMARKS
1	RE208432	LOUVER	1		
2	RE208508	AIR DUCT	1		(INCLUDES RE208432)
3	RE191541	KNOB	1		
4	RE190897	AIR DUCT	1		
5	R124495	SEAL	1		
6	R170127	AIR DUCT	1		
7	RE157244	LOUVER	1		
8	R81456	SCREW	1		
9	37M7089	SCREW	1		M6 X 12
10	R50499	SCREW	1		
11	R124238	AIR DUCT	1		
12	M84972	NUT	2		
13	R234030	PUSH NUT	2		
14	24M7139	WASHER	2		6.400 X 18 X 1.600 MM
15	37M7089	SCREW	2		M6 X 12
16	RE179743	ACTUATOR	1		
17	37M7235	SCREW	3		

90-29

OPERATOR'S PLATFORM AND CAB

OPERATOR'S SEAT CUSHION, ARMREST AND MOUNTINGS - CONTINUED

KEY	PART NO.	PART NAME	QTY.	SERIAL NO.	REMARKS
1	H203741	PLUG	2		
2	H203739	SUPPORT	2		
3	H203737	BRACKET	1		
4	Z74481	SHIELD	1		
5	AL151392	SUPPORT	1		
6	Z74494	BEARING	1		
7	Z74486	SPRING	1		
8	Z74488	DETENT	1		
9	Z74489	BEARING	1		
10	L79500	WASHER	AR		
11	H203730	BUSHING	1		
12	H203742	SPRING	1		
13	H203732	SCREW	2		
14	AL117354	ARMREST	1		
15	AL117355	SPINDLE	1		
16	AL117358	LEVER	1		
17	L151023	SHIELD	1		
18	AL151001	KIT	1		ARMREST ADJUST
19	14M7426	LOCK NUT	AR		M8
20	16M7114	RIVET	AR		6 MM
21	R168723	LOCK NUT	3		
22	AZ58888	CUSHION	1		
23	L64712	SCREW	1		
24	14M7426	LOCK NUT	5		M8
25	AZ58965	RAIL	1		
26	L114914	GRIP	1		
27	AH202990	SEAT BELT	1		
28	R168723	LOCK NUT	AR		
29	H203732	SCREW	AR		
30	AZ58967	SEAT	1		
31	AH203002	CUSHION	1		
32	Z74490	BUSHING	1		
33	H203783	BUSHING	1		
34	H203740	SCREW	1		
35	H203743	SCREW	1		
36	19M7761	SCREW	1		
	L62485	SCREW	1		
37	AZ58968	SEAT BACK	1		
38	Z74492	ANGLE	1		
39	H80440	LOCK NUT	1		
40	24M7095	WASHER	1		8.400 X 15 X 1.600 MM

90-39

OPERATOR'S PLATFORM AND CAB

KEY	PART NO.	PART NAME	QTY.	SERIAL NO.	REMARKS
1	RE69150	TRAY	1		
2	RE64874	COVER	1		
3	03M7251	BOLT	8		M6 X 12
4	R134152	PARTITION	1		
5	R132143	SCREW	3		
6	RE67459	TRAY	1		
7	RE69149	BASE	1		
8	14M7303	FLANGE NUT	6		M6
9	R131671	PLUG	2		
10	AR56766	HOUSING	2		
11	R131499	BALL STUD	2		
12	24M7088	WASHER	2		6.600 X 12 X 1.600 MM
13	14H786	NUT	1		1/4"
14	R131498	CYLINDER	1		
15	R133192	RIVET	8		
..	RE37640	SOCKET OUTLET	1		
..	AR116863	COMPLETE GOODS/SHIP. BUNDLE	1		(A)

(A) STORAGE TRAY

90-49

OPERATOR'S PLATFORM AND CAB

KEY	PART NO.	PART NAME	QTY.	SERIAL NO.	REMARKS
1	AR112621	WINDSHIELD WIPER	1		
2	RE151494	WIPER MOTOR	1		(ALSO ORDER (3) 14M7272 AND (3) 19M6614)
3	57M7255	ELEC. CONNECTOR TERMINAL	1		
	R104846	ELEC. CONNECTOR TERMINAL	3		
	57M7258	ELEC. CONNECTOR ACCESSORY	3		
	57M7290	ELECTRICAL CONNECTOR ASSY	1		
4	RE55476	TOGGLE/ROCKER SWITCH	1		
5	R161356	SHIELD	2		
6	37M7089	SCREW	2		M6 X 12
7	RE24201	WIPER BLADE	1		
8	RE151496	WIPER ARM	1		
9	14M7273	NUT	1		M8
10	24M7055	WASHER	1		8.400 X 16 X 1.600 MM
11	12M7006	LOCK WASHER	1		6 MM
12	14M7272	NUT	1		M6
13	19M7923	CAP SCREW	3		M6 X 12
14	H123995	SCREW	3		
15	57M7244	ELEC. CONNECTOR TERMINAL	1		
	R104919	ELEC. CONNECTOR TERMINAL	4		
	57M7258	ELEC. CONNECTOR ACCESSORY	4		
	57M7318	ELEC. CONNECTOR ACCESSORY	1		

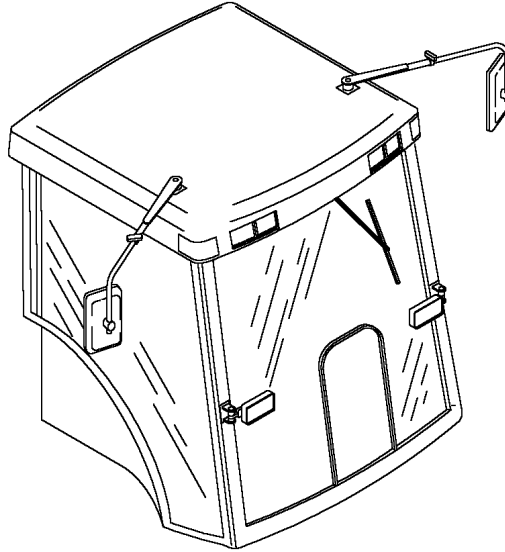
90-59

OPERATOR'S PLATFORM AND CAB

CAB FRAME

NP8628

-UN-01APR98



NP8628

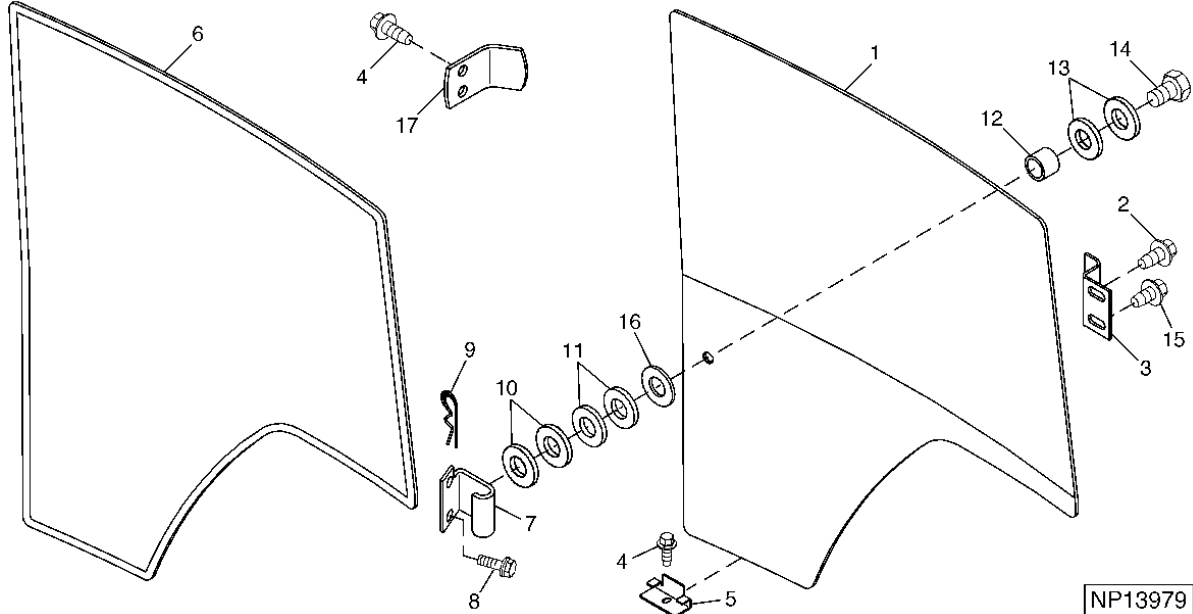
KEY	PART NO.	PART NAME	QTY.	SERIAL NO.	REMARKS
..	AR245827	CAB FRAME	1		FULLY TRIMMED SERVICE CAB NO LONGER AVAILABLE

90-69

RIGHT-HAND DOOR

NP13979

-UN-14MAY04



NP13979

KEY	PART NO.	PART NAME	QTY.	SERIAL NO.	REMARKS
1	R208588	WINDOW	1		
2	37M7257	SCREW	2		M8 X 16
3	R121790	CLAMP	2		
4	37M7160	SCREW	2		M6 X 16
5	R220889	RETAINER	1		
6	R206158	WEATHERSTRIP	1		
7	R133868	PLATE	1		
8	19M7162	CAP SCREW	2		M8 X 16
9	R121787	SPRING LOCKING PIN	1		
10	24M7036	WASHER	2		9 X 16 X 1.600 MM
11	L58890	WASHER	2		
12	H25220	BUSHING	1		
13	R108077	SEALING WASHER	2		
14	R124733	PIN	1		
15	37M7387	SCREW	2		M8 X 12
16	24H1375	WASHER	1		11/16" X 1-1/8" X 0.060"
17	R208473	ANGLE	1		

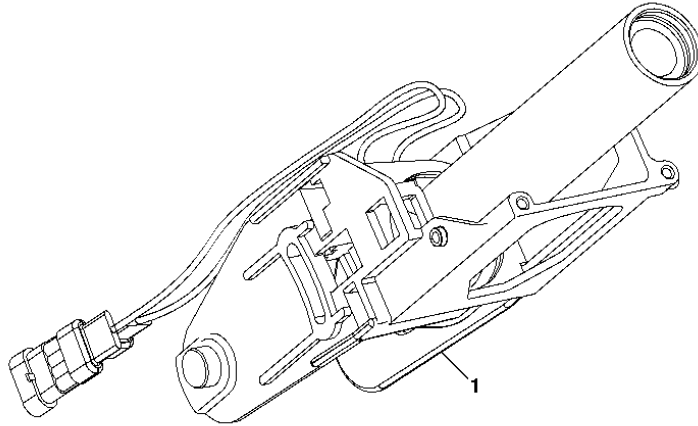
93-1

AUTOTRAC

STEERING COLUMN PIVOT

RXA0064543

-UN-17JAN03



RXA0064543

KEY	PART NO.	PART NAME	QTY.	SERIAL NO.	REMARKS
1	RE226156	PIVOT	1		

DO NOT SERVICE INDIVIDUAL PARTS. ORDER COMPLETE ASSEMBLY.

95-1

SPECIAL EXPORT PARTS FOR HUNGARY

MEMORANDA

100-3

MAIN FRAME AND CHASSIS

KEY	PART NO.	PART NAME	QTY.	SERIAL NO.	REMARKS
1	AN205400	SUPPORT	1		(SUB AN208492)
	AN208492	SUPPORT	1		
2	AN206884	SUPPORT	1		FRONT
3	AN206859	FRAME	1		
4	19M7793	SCREW	14		M16 X 40
5	14M7291	FLANGE NUT	14		M16
6	CONDUIT	2		(A) 21.5", (MAKE FROM T107029)
..	AN206205	SUPPORT	4		
..	AN206206	SUPPORT	4		

(A) HOSE GUARD

100-13

MAIN FRAME AND CHASSIS

KEY	PART NO.	PART NAME	QTY.	SERIAL NO.	REMARKS
1	AN203070	HANDRAIL	1		(A) (C)
2	AN207120	HANDRAIL	1		RH FRONT
3	19M8528	SCREW	6		M10 X 55
4	R111382	WASHER	6		(E)
5	14M7400	LOCK NUT	AR		M10
6	19M7810	SCREW	1		(B) M10 X 80
7	H143834	NUT	1		
8	19M7785	SCREW	AR		M10 X 25
9	37M7086	SCREW	6		M10 X 20
10	AN206392	PLATFORM	1		
11	N205239	BRACKET	1		
12	AN203708	BRACKET	1		
13	N207412	HANDRAIL	1	-5000	(B)
	N308433	HANDRAIL	1	5001-	(B)
14	N205527	PLATE	1		(D)
15	19M7785	SCREW	2		M10 X 25
16	N272929	LABEL	1		
17	N203310	LABEL	1		

- (A) USE WITH 60' BOOM
- (B) USE WITH 60'/80' OR 60'/90' BOOM
- (C) USE WITH LESS BOOM
- (D) LESS RINSE TANK
- (E) CURVED

100-23

MAIN FRAME AND CHASSIS

KEY	PART NO.	PART NAME	QTY.	SERIAL NO.	REMARKS
1	N206366	SCREW	6		M20 X 65
2	14M7335	NUT	6		M20
3	AN205472	HYDRAULIC CYLINDER	1		(A)
4	N186178	PIN FASTENER	2		
5	AA21292	QUICK LOCK PIN	2		
6	N205631	SHIM	2		(B)
	N302160	PLATE	2		(C)
7	N302426	ADJUSTING STRAP	1		(C)
8	N305164	WEDGE	2		(B)
	N209188	SUPPORT	2		(C)
9	N302556	AXLE KNEE	1		
10	JD5801	PRESSURE RELIEF FITTING	1		
11	JD7844	LUBRICATION FITTING	1		
12	ET17123	LUBRICATION FITTING	1		
13	N302273	BRACKET	1		LH
	N302272	BRACKET	1		RH
14	14M7291	FLANGE NUT	2		M16
15	34H188	SPRING PIN	2		
16	N305163	PAD	2		
17	21M7466	SCREW	2		M6 X 30
..	AN204591	KIT	1		(D)

- (A) TREAD ADJUSTING (GREEN)
- (B) HYDRAULIC TREAD ADJUST
- (C) MANUAL TREAD SETTING ONLY
- (D) SHIM KIT

100-33

MAIN FRAME AND CHASSIS

KEY	PART NO.	PART NAME	QTY.	SERIAL NO.	REMARKS
1	19M7804	SCREW	4		M10 X 40
2	N305659	STRAP	2		
3	N308703	FENDER	1		(SUB FOR R191189)
4	AN205280	SUPPORT	1		RH
	AN205281	SUPPORT	1		LH
5	N209755	SHIELD	1		LH
	N209754	SHIELD	1		RH
6	14M7400	LOCK NUT	4		M10
7	19M7819	SCREW	2		M12 X 90
8	03M7199	BOLT	4		M12 X 35
9	03M7200	BOLT	2		M12 X 40
10	14M7401	LOCK NUT	6		M12
11	N209597	ANGLE	1		LH
	N209598	ANGLE	1		RH
12	19M7830	SCREW	2		M16 X 150
13	AN205245	BRACKET	1		LH
	AN205244	BRACKET	1		RH
14	14M7328	LOCK NUT	2		M16
15	N306550	STRAP	1		(SUB FOR N302248)
16	37M7092	SCREW	4		M8 X 16
17	24M7260	WASHER	4		8.400 X 24 X 2 MM
18	19M7867	SCREW	3		M8 X 25

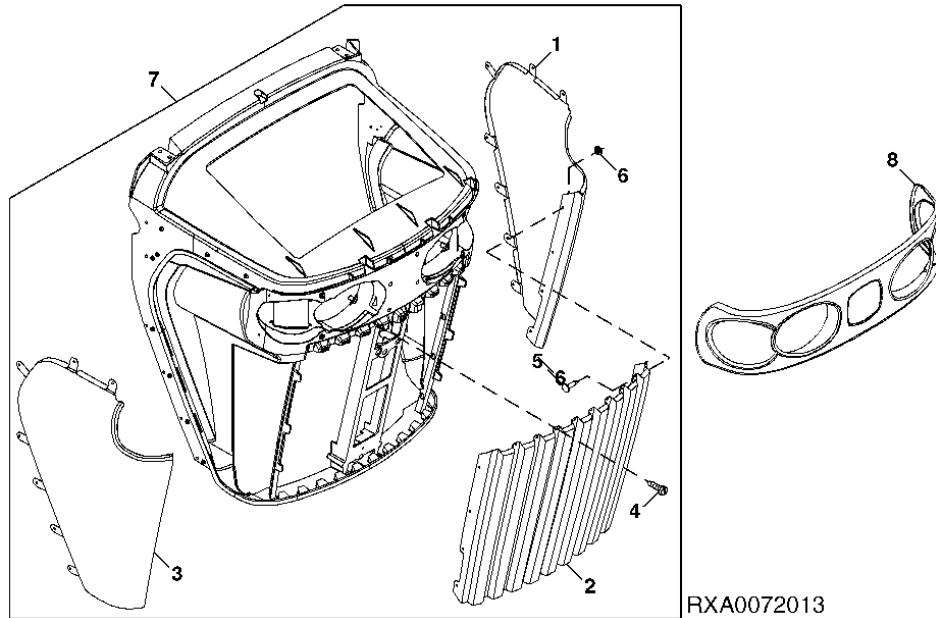
100-43

MAIN FRAME AND CHASSIS

RXA0072013

-UN-06NOV03

FRONT GRILLE



KEY	PART NO.	PART NAME	QTY.	SERIAL NO.	REMARKS
1	R181980	GRILLE	1		
	R209908	SEAL	1		
2	R181978	GRILLE	1		
3	R181979	GRILLE	1		
	R209907	SEAL	1		
4	37M7348	SCREW	30		
5	R54477	RIVET	8		
6	24M7138	WASHER	8		5.300 X 15 X 1.200 MM
7	RE209207	FRAME	1		
8	R181981	HOUSING	1		

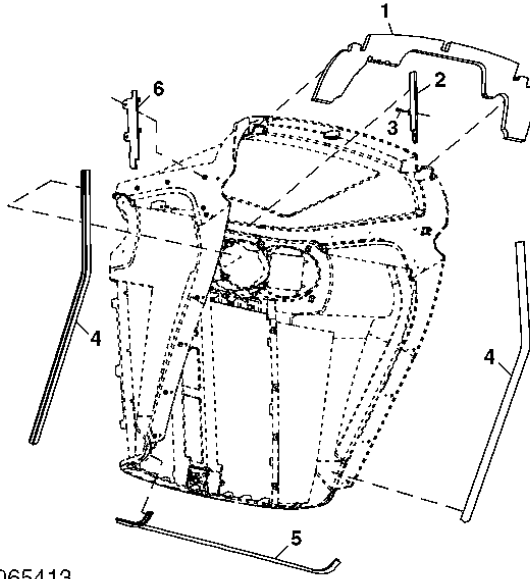
100-53

MAIN FRAME AND CHASSIS

RXA0065413

-UN-12MAY03

FRONT GRILLE SEALS



RXA0065413

KEY	PART NO.	PART NAME	QTY.	SERIAL NO.	REMARKS
1	R254699	SEAL	1		(SUB FOR R182078)
2	R192465	BRACKET	1		
3	37M7348	SCREW	4		
4	R219906	ISOLATOR	2		
5	R200965	SEAL	1		
6	R192464	BRACKET	1		

110-1

DECALS

MEMORANDA

110-11

DECALS

KEY	PART NO.	PART NAME	QTY.	SERIAL NO.	REMARKS
1	H63153	LABEL	1	(A)	
	N208390	LABEL	1	(C)	
	N275458	LABEL	1	(D)	
	N278190	LABEL	1	(E)	
	N307930	LABEL	1	(F)	
	N302404	LABEL	1	(A)	
2	N302405	LABEL	1	(B)	
	N302406	LABEL	1	(C)	
	N308342	LABEL	1	(D)	
	N308378	LABEL	1	(E)	
	N307952	LABEL	1	(F)	
	N304141	LABEL	1	(A)	
3	N304142	LABEL	1	(A)	
	N302429	LABEL	1	(A)	
4	N302430	LABEL	1	(B)	
	N302431	LABEL	1	(C)	
	N308343	LABEL	1	(D)	
	N308379	LABEL	1	(E)	
	N307953	LABEL	1	(F)	
	N302108	SAFETY SIGN	1	(A)	
5	N302109	SAFETY SIGN	1	(B)	
	N302110	SAFETY SIGN	1	(C)	
	N308337	SAFETY SIGN	1	(D)	
	N308374	SAFETY SIGN	1	(E)	
	N307948	LABEL	1	(F)	
	N204598	LABEL	1	(A)	
6	N207842	LABEL	4	(A)	
	N207843	LABEL	1	(B)	
7	N208415	LABEL	1	(C)	
	N308329	LABEL	1	(D)	
	N308363	LABEL	1	(E)	
	N307937	LABEL	1	(F)	
	N205162	LABEL	1	(A)	
	N206093	LABEL	1	(B)	
8	N208404	LABEL	1	(C)	
	N308325	LABEL	1	(D)	
	N308359	LABEL	1	(E)	
	N308446	LABEL	1	(F)	
	N205300	LABEL	2	(A)	
9	N205301	LABEL	2	(A)	
10	N205340	LABEL	1	(A)	
11	N302229	LABEL	1	(A)	
	N302238	LABEL	1	(B)	
	N302239	LABEL	1	(C)	
12	N308338	LABEL	1	(D)	
	N308375	LABEL	1	(E)	
	N307949	LABEL	1	(F)	
13	N302241	LABEL	1	(A)	
	N302242	LABEL	1	(B)	
	N302243	LABEL	1	(C)	
	N308340	LABEL	1	(D)	
	N308376	LABEL	1	(E)	
	N307950	LABEL	1	(F)	
14	N277145	LABEL	1	(A)	
	N277844	LABEL	1	(B)	
	N208419	LABEL	1	(C)	

- (A) ENGLISH (ILLUSTRATED)
- (B) SPANISH
- (C) FRENCH
- (D) RUSSIAN
- (E) CHINESE
- (F) HUNGARIAN

110-21

DECALS

<i>KEY</i>	<i>PART NO.</i>	<i>PART NAME</i>	<i>QTY.</i>	<i>SERIAL NO.</i>	<i>REMARKS</i>
1	N208907	LABEL	1		
2	N208905	LABEL	1		
3	N209529	LABEL	1		
4	N208852	LABEL	1		
5	N209340	LABEL	1		
6	N209337	LABEL	1		
7	N209459	LABEL	1		
8	N209862	LABEL	1		
9	N308908	LABEL	1		

NUMERICAL INDEX - CONTINUED

PART NO.	KEY	PAGE	PART NO.	KEY	PAGE	PART NO.	KEY	PAGE
AT124681	4	75-1	A31870	16	65-19	DC23285	8	50-25
AT124681	10	75-15	A31871	5	65-19	D2361R	1	20-35
AT135964	5	70-9	A364R	10	20-45	ET17123	20	100-15
AT13740	4	20-23	A364R	19	60-5	ET17123	12	100-23
AT13740	26	20-35	A36745	7	65-10	E43492	17	60-19
AT13740	1	105-1	A36745	7	65-11	E55716	2	70-21
AT139434	13	65-21	A36747	6	65-10	E55717	3	70-21
AT139434	13	75-15	A36747	6	65-11	E56086	30	70-21
AT139776	17	20-19	A4365R	7	75-29	E57805	5	70-21
AT140957	7	40-67	A4365R	4	93-7	E59406	8	75-39
AT140957	7	95-5	A45398	23	80-63	E63524	17	50-21
AT143841	1	70-3	A45398	9	80-74	E63524	32	75-11
AT157226	22	100-15	A4827R	8	40-1	E63525	30	30-3
AT170921	5	80-37	A52618	1	75-52	E63525	7	30-5
AT170921	1	80-47	A52618	1	75-61	E63525	5	40-3
AT173174	26	50-19	A52618	1	75-63	E63525	2	40-9
AT174697	16	20-23	A52618	1	75-65	E63525	4	40-51
AT177339	7	90-31	A52618	1	75-67	E63525	42	50-3
AT177344	30	90-31	A52618	1	75-69	E63525	24	50-7
AT180680	14	20-15	A52618	1	75-71	E63525	11	50-33
AT180814	15	50-19	A52618	1	75-73	E63525	19	60-11
AT184869	36	50-19	A52618	1	75-75	E63525	51	70-11
AT189390	4	100-42	A52618	1	75-77	E63525	12	70-25
AT189487	5	100-42	A52618	1	75-79	E63525	3	70-31
AT193500	27	90-13	A52618	1	75-81	E63525	34	75-11
AT195723	33	50-19	A52618	1	75-83	E63525	30	80-9
AT196462	22	50-19	A52618	1	75-87	E63525	33	100-9
AT214510	43	50-19	A52618	1	75-89	E63526	8	20-3
AT214824	17	50-23	A53961	1	65-29	E63526	19	20-21
AT214826	15	50-23	A53961	18	80-19	E63526	6	30-5
AT214844	14	50-27	A55154	..	75-54	E63526	6	50-33
AT214853	10	50-25	A55265	8	80-3	E63526	3	65-23
AT214861	7	50-25	A61541	22	80-25	E63526	19	70-1
AT214873	7	50-31	A61541	22	80-27	E63526	16	80-9
AT214874	10	50-31	A61541	3	80-43	E63526	15	80-11
AT220774	21	50-23	A61541	22	80-45	E63526	16	80-33
AT224873	18	70-25	A61710	7	80-11	E63526	6	80-39
AT25226	2	50-9	A61710	1	80-17	E63526	5	80-51
AT26407	21	40-27	A61710	5	80-47	E63526	17	80-63
AT301767	35	50-19	A61710	14	80-49	E63526	3	80-65
AT54837	25	80-19	A61734	5	80-11	E63526	31	80-67
AT54837	33	80-21	A61734	2	80-17	E63526	7	80-79
AT56660	10	90-33	A61734	12	80-19	E63526	21	80-95
AT81765	6	100-42	A61734	14	80-21	E63526	3	90-25
AU43948	15	90-67	A61734	7	80-33	E63526	2	100-5
AZ34621	10	40-67	A61734	13	80-37	E63526	33	100-7
AZ34621	10	95-5	A61734	4	80-43	E63526	7	100-9
AZ43330	14	65-21	A61734	20	80-45	E63526	3	100-27
AZ43330	14	75-15	A61734	4	80-47	E63527	17	20-7
AZ44705	15	40-67	A61734	13	80-49	E63527	5	20-11
AZ44705	15	95-5	A61734	12	80-67	E63527	39	50-3
AZ46922	14	40-67	A73181	17	70-25	E63527	7	65-23
AZ46922	14	95-5	BN202057	..	80-77	E63527	19	80-63
AZ46924	12	40-67	BN202167	..	75-53	E63527	14	100-7
AZ46924	12	95-5	BN202204	..	75-53	E63527	3	100-19
AZ48434	1	40-17	BN202371	..	65-22	E63527	3	100-25
AZ58888	22	90-29	BN202371	..	65-27	E63527	15	100-35
AZ58918	6	90-31	BN202419	..	75-9	E65248	18	70-21
AZ58941	20	90-33	BN202453	..	100-27	E65261	9	70-21
AZ58965	25	90-29	B1085R	4	80-74	E65286	12	50-27
AZ58967	30	90-29	B32209	1	40-44	E66413	13	50-27
AZ58968	37	90-29	B32209	13	40-45	E66413	35	70-21
A15147	5	100-27	B3690R	8	60-3	E69117	2	70-1
A17536	18	65-19	CD14689	10	20-61	E80224	17	50-29
A22724	14	50-33	CD16284	10	20-27	E82508	1	110-3
A25758	39	80-25	C12865	8	100-29	E82510	41	100-9
A31867	4	100-7	DC203041	25	50-33	E82510	1	110-3

120-17

4720 SELF-PROPELLED SPRAYER

NUMERICAL INDEX - CONTINUED

PART NO.	KEY	PAGE	PART NO.	KEY	PAGE	PART NO.	KEY	PAGE
N306838	24	80-21	N307941	6	110-19	N308343	4	110-11
N306881	8	50-19	N307942	5	110-19	N308344	2	75-25
N306882	18	50-19	N307943	7	110-19	N308345	3	110-7
N306883	21	50-19	N307944	3	110-19	N308346	6	110-15
N306884	28	50-19	N307945	1	110-7	N308347	3	110-15
N306885	29	50-19	N307946	8	110-19	N308348	7	110-23
N306886	30	50-19	N307947	5	110-3	N308349	8	110-23
N306887	31	50-19	N307948	5	110-11	N308350	9	110-23
N306888	32	50-19	N307949	12	110-11	N308351	2	110-7
N306889	40	50-19	N307950	13	110-11	N308352	4	110-7
N306890	44	50-19	N307951	9	110-15	N308353	2	110-15
N306908	12	100-55	N307952	2	110-11	N308355	2	110-3
N306931	9	40-36	N307953	4	110-11	N308356	6	110-3
N306932	6	50-9	N307954	3	110-7	N308358	7	110-3
N306940	11	40-30	N307955	4	110-3	N308359	8	110-11
N306941	2	110-15	N307956	6	110-15	N308360	6	110-7
N306955	11	50-35	N307957	3	110-15	N308362	7	110-15
N306955	11	50-37	N307958	7	110-23	N308363	7	110-11
N306957	18	50-37	N307959	8	110-23	N308364	2	110-19
N306959	20	50-37	N307960	9	110-23	N308365	1	110-19
N306962	16	50-35	N307961	31	80-43	N308367	6	110-19
N306963	13	50-35	N307962	2	110-7	N308368	5	110-19
N306987	22	65-9	N307963	10	110-23	N308370	7	110-19
N307001	5	100-39	N307964	4	110-7	N308371	3	110-19
N307002	4	100-39	N307965	2	110-15	N308372	8	110-19
N307003	25	75-31	N307967	3	110-3	N308374	5	110-11
N307011	12	80-35	N307972	1	80-19	N308375	12	110-11
N307016	1	100-15	N307972	1	80-21	N308376	13	110-11
N307017	1	100-15	N307993	12	75-39	N308377	9	110-15
N307089	10	93-7	N307997	2	75-67	N308378	2	110-11
N307147	4	80-88	N307998	2	75-67	N308379	4	110-11
N307148	1	80-88	N308019	24	80-27	N308380	2	75-25
N307230	20	50-33	N308020	16	80-37	N308381	3	110-7
N307231	26	50-33	N308031	2	75-81	N308382	4	110-3
N307233	16	100-55	N308034	12	80-63	N308383	6	110-15
N307384	7	80-41	N308035	11	80-63	N308384	3	110-15
N307385	17	80-41	N308045	31	80-55	N308385	7	110-23
N307399	2	60-12	N308045	29	80-59	N308386	8	110-23
N307613	23	95-3	N308045	30	80-61	N308387	9	110-23
N307619	6	110-3	N308045	16	80-69	N308388	2	110-7
N307772	..	93-2	N308053	10	75-29	N308389	4	110-7
N307775	..	75-29	N308192	13	80-63	N308390	2	110-15
N307822	4	90-67	N308249	9	80-31	N308433	13	100-13
N307846	2	110-17	N308249	16	95-3	N308436	4	90-67
N307847	23	80-9	N308253	5	80-29	N308437	4	90-67
N307853	19	100-27	N308253	10	80-31	N308438	4	90-67
N307869	28	50-3	N308253	13	95-3	N308439	4	90-67
N307885	14	80-43	N308261	3	80-31	N308440	4	90-67
N307885	36	80-43	N308283	11	80-31	N308441	4	90-67
N307885	11	80-45	N308302	..	80-21	N308446	8	110-11
N307885	15	80-47	N308307	1	75-46	N308449	2	75-25
N307886	10	80-43	N308307	3	75-69	N308452	1	110-7
N307886	12	80-43	N308307	3	75-79	N308453	31	80-43
N307886	37	80-43	N308324	7	110-3	N308454	10	110-23
N307903	14	80-63	N308325	8	110-11	N308455	9	110-19
N307903	14	80-65	N308328	7	110-15	N308457	1	110-7
N307927	1	110-3	N308329	7	110-11	N308458	31	80-43
N307928	8	110-3	N308330	6	110-19	N308459	10	110-23
N307930	1	110-11	N308331	5	110-19	N308499	23	65-9
N307931	2	110-3	N308333	7	110-19	N308499	2	65-29
N307932	9	110-19	N308334	3	110-19	N308518	17	75-54
N307933	7	110-3	N308335	8	110-19	N308518	2	75-63
N307934	4	90-67	N308337	5	110-11	N308518	2	75-65
N307936	7	110-15	N308338	12	110-11	N308518	10	75-81
N307937	7	110-11	N308340	13	110-11	N308518	2	75-87
N307939	2	110-19	N308341	9	110-15	N308520	2	75-81
N307940	1	110-19	N308342	2	110-11	N308534	25	80-67

CLICK HERE TO **DOWNLOAD** THE COMPLETE MANUAL

- Thank you very much for reading the preview of the manual.
- You can download the complete manual from: www.heydownloads.com by clicking the link below



- Please note: If there is no response to CLICKING the link, please download this PDF first and then click on it.

CLICK HERE TO **DOWNLOAD** THE COMPLETE MANUAL