

**310J,310SJ and 310TMC  
BACKHOE LOADERS**



**JOHN DEERE**

**PARTS CATALOG**

**310J,310SJ and 310TMC  
BACKHOE LOADERS**

**PC10005 (Jan-07) English**

**Worldwide Construction and Forestry Division**

**Worldwide Edition**  
Litho IN U.S.A. (Revised)  
COPYRIGHT © 2007  
DEERE & COMPANY  
Moline, Illinois  
All rights reserved

CLICK HERE TO **DOWNLOAD** THE COMPLETE MANUAL

- Thank you very much for reading the preview of the manual.
- You can download the complete manual from: [www.heydownloads.com](http://www.heydownloads.com) by clicking the link below



- Please note: If there is no response to CLICKING the link, please download this PDF first and then click on it.

CLICK HERE TO **DOWNLOAD** THE COMPLETE MANUAL

## REMARKS AND ABBREVIATIONS

TX1007193

-UN-04MAY06

PHRASE	ENGLISH	FRANCAIS	DEUTSCH	ITALIANO	ESPAÑOL	SVENSKA
ALSO ORDER, ORD W/	Also order	Commander aussi	Ebenso bestellen	Ordinare anche	Pedir también	Beställ även
AMP	Ampere	Ampère	Ampere	Ampere	Amperio	Ampere
APPL, APPL ONLY	This application only	Uniquement pour cette utilisation	Nur für diese Anwendung	Solo per questa applicazione	Solo para este propósito	Endast för denna användning
AR	As required	Selon le besoin	Nach Bedarf	Secondo necessità	Según necesidad	Vid behov
ASSY	Complete assembly	Ensemble complet	Kompl.-Zusammenbau	Gruppo completo	Montaje completo	Komplett montering
CA, CONVENIENCE ASSY	Convenience assembly	Ensemble convenance	Komfort-Zusammenbau	Montaggio pratico	Montaje de conveniencia	Lämplig montering
CCW	Counter-clockwise	Sens anti-horaire	Gegen Uhrzeigersinn	Senso antiorario	A la izquierda	Moturs
COMPLETE	Complete	Complet	Vollständig	Completo	Completo	Fullständig
COMPLETE GOODS	Complete goods	Compléter marchandises	Vollst. Waren	Merci complete	Mercancías completas	Komplett varor
CTL CUT TO LENGTH	Cut to length	Couper à la longueur	Auf Länge zurechtschneiden	Tagliare alla lunghezza	Corte a la longitud	Skära till längd
CW	Clockwise	Sens horaire	Im Uhrzeigersinn	In senso orario	A la derecha	Medurs
FOR	For	Pour	Für	Per	Para	För
FRONT	Front	Avant	Vorn	Anteriore	Frente	Fram
GAS	Gasoline	Essence	Benzin	Benzina	Gasolina	Bensin
HP	Horsepower	Puissance en cv	Leistung	Potenza	Potencia	Hästkraft
HFWD	Hydraulic Front-wheel Drive	Traction Avant Hydraulique	Hydraulischer Vorderradantrieb	Trazione Anteriore Idraulica	Traccion Delantera Hidraulica	Hydraulisk Framhjulsdraft
HS, HEAD MARKED	High strength, head marked	Haute résistance, tête marquée	Hochfest, vorn gekennzeichnet	Contrassegnato in testa, ad alta resistenza	Alta fuerza, marca en cabeza	Hög styrka, huvudmärkt
ID	Inside diameter	Diamètre intérieur	Innendurchmesser	Diametro interno	Diá. interior	Innerdiameter
INCH	Inch	Pouce	In.	Pollice	Pulg.	Tum
INCL KEYS	Includes keys...	Comprend les positions...	Einschließlich Schlüssel...	Include le chiavette...	Incluye posiciones...	Inklusive nycklar...
INCL, INCLUDES	Includes...	Comprend...	Enthält...	Include...	Incluye...	Inkluderar...
INCLUDES PARTS/ ITEMS MARKED	Includes parts/items marked...	Comprend les pièces/articles marqués...	Enthält gekennzeichnete Teile/Pos. ...	Include i pezzi e gli elementi contrassegnati...	Incluye piezas marcadas...	Inkluderar markerade delar/artiklar...
INNER	Inner	Intérieur	Innerer	Interno	Interno	Inre, invändig
KIT	Kit	Kit	Kit	Kit	Juego	Sats
L	Number of links	Nombre de maillons	Anzahl der Glieder	Numero di maglie	Nº de eslabones	Antal länkar
LGTH	Length	Longueur	Länge	Lunghezza	Longitud	Längd
LGP	Low Ground Pressure	Faible Pression Au Sol	Niederer Bodendruck	Bassa Pressione Sul Suolo	Baja Presion Sobre El Suelo	Laagt Marktryck
LH	Left-hand	Gauche	Links	Sinistra	Izquierda	Vänster
LT	Long Track	Chenille Longue	Mit Langem Laufwerk	Cingolo Lungo	Cadena Largo	Laangt Larvband
LOW, LOWER	Lower	Inférieur	Unterer	Inferiore	Inferior	Nedre
MAKE FROM, MF MARKED	Make from Marked	Faireavec Marqué	Herstellen von Markiert	Fabbricare da Contrassegnato	Hacer de Marcado	Tillverka av Märkt

TX1007193

## ALPHABETICAL INDEX - CONTINUED

	PAGE	PAGE
FLEXPLATE, TORQUE CONVERTOR .....	0350-1	
FLOOR COVER, REAR (310J,310SJ) .....	1812-2	
FLOOR COVER, REAR (310TMC) .....	1812-4	
FLOOR MATS (310J,310SJ) .....	1812-2	
FLOOR MATS (310TMC) .....	1812-4	
FLOW CONTROL AUXILIARY VALVE KIT 310TMC .....	3363-4	
FLOW CONTROL VALVE .....	3363-2	
FLUID SAMPLING PORTS .....	1390-2	
FLUID, STARTING .....	0505-4	
FLYWHEEL (DT060) .....	0400-44	
FLYWHEEL RING GEAR (DT060) .....	0400-44	
FOOT CONTROL, FIFTH FUNCTION .....	3315-12	
FOOT CONTROL, SIXTH FUNCTION .....	3315-14	
FORKLIFT FORKS .....	3103-2	
FORKS, PALLET .....	3103-2	
FORKS,LOADER FORKLIFT .....	3103-2	
FORWARD,NEUTRAL AND REVERSE CONTROL LEVER .....	0315-2	
FRAME, CAB .....	1811-4	
FRAME, COUNTERWEIGHT .....	1749-3	
FRAME, FORKLIFT COUPLER .....	3103-2	
FRAME, ROPS .....	1811-2	
FRAME, SWING .....	3343-2	
FRAME,MAIN FRAME .....	1740-2	
FRESH AIR FILTER .....	1816-12	
FRONT AXLE (W/MFWD) .....	0250-2	
FRONT AXLE HOUSING (MFWD) .....	0250-4	
FRONT AXLE HOUSING (WITHOUT MFWD) .....	0230-6	
FRONT AXLE HUB (MFWD) .....	0250-6	
FRONT AXLE INPUT PINION GEAR YOKE (W/MFWD) .....	0250-14	
FRONT AXLE KING PIN (MFWD) .....	0250-6	
FRONT AXLE LUBE HOSE(W/MFWD) .....	0250-2	
FRONT AXLE PIVOT PIN(W/MFWD) .....	0250-2	
FRONT AXLE RING GEAR AND PINION (W/MFWD) .....	0250-14	
FRONT AXLE RING GEAR(W/MFWD) .....	0250-14	
FRONT AXLE SPIRAL BEVEL INPUT PINION GEAR(W/MFWD) .....	0250-14	
FRONT AXLE SWIVEL HOUSING (WITHOUT MFWD) .....	0230-7	
FRONT AXLE TIE ROD ASSEMBLY (MFWD) .....	0250-4	
FRONT AXLE UNIVERSAL DRIVE SHAFT (MFWD) .....	0250-6	
FRONT AXLE WHEEL HUB(WITHOUT MFWD) .....	0230-8	
FRONT CONSOLE .....	1816-8	
FRONT CONSOLE COVER,FLOOR (310J,310SJ) .....	1812-2	
FRONT CONSOLE COVER,FLOOR (310TMC) .....	1812-4	
FRONT CONSOLE SEAL .....	1811-2	
FRONT COUNTERWEIGHT .....	1749-2	
FRONT COUPLER CYLINDER .....	3104-4	
FRONT COUPLER VALVE .....	3163-12	
FRONT COUPLER, HYDRAULIC .....	3104-2	
FRONT COUPLER, HYDRAULIC (HOSES) .....	3163-10	
FRONT DRIVE WHEEL (MFWD) .....	0110-4	
FRONT FLOOR MAT (310J,310SJ) .....	1812-2	
FRONT FLOOR MAT (310TMC) .....	1812-4	
FRONT PLATE (310J(TURBO),310SJ) .....	0400-73	
FRONT PLATE, ENGINE (DT060) .....	0400-52	
FRONT TRANSMISSION HOUSING .....	0341-4	
FRONT WHEEL (WITHOUT MFWD) .....	0120-1	
FRONT WINDSHIELD WIPER MOTOR .....	1814-10	
FUEL FILTER (DT060) .....	0400-54	
FUEL FILTER (DT060) .....	0400-56	
FUEL FILTER (TT094) .....	0400-108	
FUEL FILTER GASKET KIT (DT060) .....	0400-54	
FUEL FILTER GASKET KIT (DT060) .....	0400-56	
FUEL FILTER HEATER (TT094) .....	0400-108	
FUEL FILTER LINES (TT094) .....	0400-110	
FUEL FILTER LINES (DT060) .....	0400-58	
FUEL GAUGE SENDER .....	0560-2	
FUEL HOSES .....	0560-2	
FUEL INJECTION LINES 310G(TURBO),310SG,315SG (VSN 910056-) .....	0400-98	
FUEL INJECTION LINES (DT060) .....	0400-32	
FUEL INJECTION LINES (TT094) .....	0400-96	
FUEL INJECTION NOZZLE (DT060) .....	0400-30	
FUEL INJECTION NOZZLE (TT094) .....	0400-92	
FUEL INJECTION NOZZLE (TT094) .....	0400-93	
FUEL INJECTION NOZZLE (TT094) .....	0400-94	
FUEL INJECTION PUMP 310G(TURBO),310SG,315SG (VSN 910056-) .....	0400-98	
FUEL INJECTION PUMP (DT060) .....	0400-32	
FUEL INJECTION PUMP (TT094) .....	0400-96	
FUEL INJECTION PUMP DRIVE (TT094) .....	0400-96	
FUEL INJECTION PUMP DRIVE GEAR 310G(TURBO),310SG,315SG (VSN 910056-) .....	0400-98	
FUEL INJECTION PUMP DRIVE GEAR (DT060) .....	0400-32	
FUEL LINES, FILTER (DT060) .....	0400-58	
FUEL LINES, FILTER (TT094) .....	0400-110	
FUEL TANK .....	0560-2	
FUEL TANK CAP .....	0560-2	
FUEL TANK STRAINER .....	0560-2	
FUEL TEMPERATURE SENSOR (DT060) .....	0400-34	
FUEL TEMPERATURE SENSOR (TT094) .....	0400-100	
FUEL TEMPERATURE SENSOR, STANADYNE DE10 310G (W/O TURBO) (VSN 911769- ) .....	0400-35	
FUEL TEMPERATURE SENSOR, STANADYNE DE10 310G(TURBO),310SG/315SG (VSN 910056- ) .....	0400-101	
FUEL TRANSFER PUMP (DT060) .....	0400-37	
FUEL TRANSFER PUMP (DT060) .....	0400-60	
FUEL TRANSFER PUMP (TT094) .....	0400-111	
FUEL TRANSFER PUMP PUSH ROD (TT094) .....	0400-111	
FUSE PANEL COVER .....	1816-8	
<b>G</b>		
GAS PEDAL .....	0515-2	
GASKET SET,ENGINE MAJOR OVERHAUL (DT060) .....	0400-48	
GASKET SET,ENGINE MAJOR OVERHAUL (DT060) .....	0400-50	
GASKET, CYLINDER HEAD (TT094) .....	0400-88	
GASKET, ENGINE OIL COOLER ADAPTER(DT060) .....	0400-18	
GASKET, ENGINE OIL COOLER HOUSING (DT060) .....	0400-15	
GASKET, EXHAUST MANIFOLD (TT094) .....	0400-91	
GASKET, FRONT CONSOLE .....	1811-2	
GASKET, TIMING GEAR COVER (DT060) .....	0400-8	
GASKET, TIMING GEAR COVER (TT094) .....	0400-68	
GASKET,EXHAUST MANIFOLD (DT060) .....	0400-29	
GASKET,OIL PAN (DT060) .....	0400-20	
GASKET,OIL PAN (TT094) .....	0400-80	
GASKET,ROCKER ARM COVER (DT060) .....	0400-7	
GASKET,ROCKER ARM COVER (TT094) .....	0400-67	
GATHERING CLAMP (310J) .....	2160-14	
GATHERING CLAMP (310SJ) .....	2160-16	
GATHERING CLAMP (310TMC) .....	2160-18	
GEAR, CAMSHAFT (DT060) .....	0400-5	

## ALPHABETICAL INDEX - CONTINUED

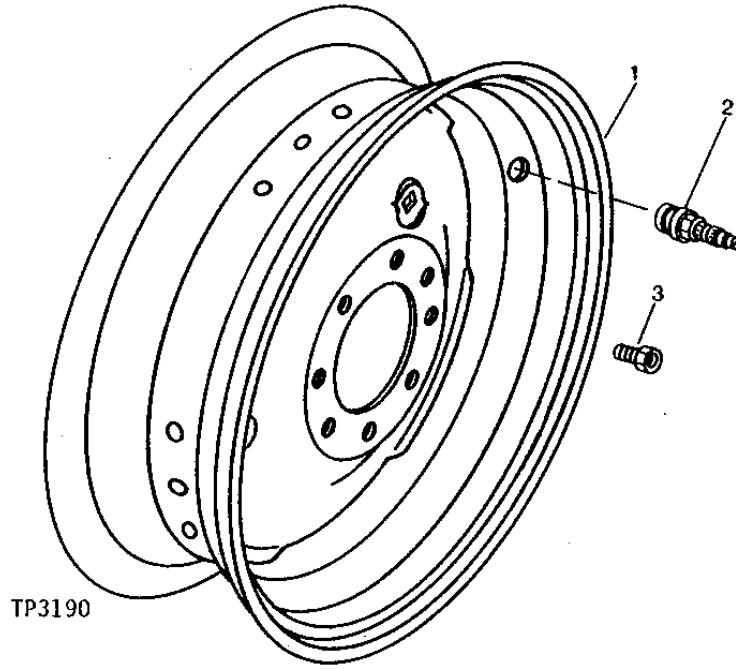
	PAGE		PAGE
SEAL, CRANKSHAFT FRONT OIL (TT094).....	0400-68	SHORT BLOCK, ENGINE ( ( TT094).....	0400-74
SEAL, SLIDING YOKE (MFWD).....	0250-3	SHORT BLOCK, ENGINE (DT060).....	0400-12
SEAT ADJUSTING SWITCH.....	1821-16	SHOVEL CLAMP.....	3140-6
SEAT BACK PAD.....	1821-2	SHROUD, FAN.....	0510-4
SEAT BELT.....	1821-14	SHROUD, FAN.....	0510-6
SEAT BRACKETS.....	1821-2	SIDE CONSOLE SWITCHES.....	1674-28
SEAT CUSHIONS.....	1821-2	SIDE CONSOLE SWITCHES.....	1674-30
SEAT LUMBAR SUPPORT CONTROL LEVER.....	1821-4	SIDE CONSOLE WIRING HARNESS	
SEAT SLIDE CONTROL LEVER.....	1821-4	WITH CAB.....	1674-5E
SEAT SLIDE LATCH KIT.....	1821-4	SIDE CONSOLE WIRING HARNESS,	
SEAT SPRING, MECHANICAL SUSPENDED.....	1821-8	CAB.....	1674-4
SEAT SUSPENSION, SUSPENDED SEAT.....	1821-16	SIDE INSTRUMENT PANEL HOUSING.....	1816-10
SEAT SWIVEL.....	1821-6	SIDE INSTRUMENT PANEL HOUSING.....	1816-12
SEAT SWIVEL CONTROL LEVER.....	1821-4	SIDE PANELS, ENGINE.....	1910-2
SEAT SWIVEL LATCH.....	1821-6	SIDE SHIELD, LOADER PLUMBING.....	1913-6
SEAT, COMPLETE ASSEMBLY.....	1821-18	SIDE SHIELDS, ENGINE.....	1910-2
SEAT, OPERATOR'S.....	1821-18	SIDE WINDOWS, CAB.....	1814-2
SELECTIVE FLOW SECTION RELIEF VALVE.....	3362-20	SIDE WORKING LIGHTS SWITCH.....	1674-28
SECOND SPEED CLUTCH ASSEMBLY.....	0350-10	SIDE WORKING LIGHTS SWITCH.....	1674-30
SECOND SPEED CLUTCH DISK.....	0350-10	SINGLE BATTERY CABLE.....	1671-2
SELECTIVE FLOW SECTION, BACKHOE VALVE.....	3362-20	SINGLE BATTERY INSTALLATION.....	1671-2
SELECTOR VALVE		SIXTH FUNCTION MANUAL VALVE KIT	
(PILOT CONTROL).....	3363-2	(310J).....	3362-26
SELECTOR VALVE HYDRAULICS.....	3363-54	SIXTH FUNCTION MANUAL VALVE KIT	
SELECTOR VALVE HYDRAULICS		(310SJ).....	3362-27
(PILOT CONTROL).....	3363-2	SIXTH FUNCTION PEDAL.....	3315-14
SELECTOR VALVE, PATTERN.....	3362-32	SIXTH FUNCTION PEDAL	
SELF LEVELING ROTARY SENSOR.....	1674-24	(PILOT CONTROL).....	3315-32
SENDER, FUEL GAUGE.....	0560-2	SIXTH FUNCTION FOOT CONTROL.....	3315-14
SENDER, HYDRAULIC TEMPERATURE.....	1674-8	SKIIRT, MECHANICAL SUSPENDED SEAT.....	1821-8
SENSOR, ENGINE COOLANT TEMPERATURE		SKIRTS, OPERATOR STATION.....	1927-2
(TT094).....	0400-106	SLIDE LATCH KIT, SEAT.....	1821-4
SENSOR, FUEL TEMPERATURE (DT060).....	0400-34	SLIDE PUCK SERVICE KIT.....	1821-6
SENSOR, FUEL TEMPERATURE (TT094).....	0400-100	SLIDING REAR WINDOWS.....	1814-8
SENSOR, FUEL TEMPERATURE STANADYNE DE10		SLIDING YOKE, SEAL (MFWD).....	0250-3
310G (W/O TURBO) (VSN 911769- ).....	0400-35	SMV EMBLEM.....	2008-2
SENSOR, FUEL TEMPERATURE STANADYNE DE10		SOLENOID CONNECTOR (DT060).....	0400-34
310G(TURBO), 310SG/315SG (VSN 910056- ).....	0400-101	SOLENOID CONNECTOR (TT094).....	0400-100
SENSOR, LOADER POSITION, RETURN TO DIG.....	1674-24	SOLENOID CONNECTOR, STANADYNE DE10	
SENSOR, RIGHT HAND DOOR.....	1675-4	310G (W/O TURBO) (VSN 911769- ).....	0400-35
SENSOR, SELF LEVELING ROTARY.....	1674-24	SOLENOID CONNECTOR, STANADYNE DE10	
SENSOR, CRANKSHAFT SPEED (DT060).....	0400-8	310G(TURBO), 310SG/315SG (VSN 910056- ).....	0400-101
SENSOR, CRANKSHAFT SPEED (TT094).....	0400-68	SOLENOID VALVE, MAIN HYDRAULIC PUMP	
SENSOR, SUSPENDED SEAT POSITION.....	1821-16	(310TMC).....	2160-6
SENSOR, HYDRAULIC TEMPERATURE.....	1674-8	SOLENOID VALVE, MAIN HYDRAULIC PUMP	
SERVICE BRAKE HYDRAULICS.....	1060-6	310J.....	2160-2
SERVICE BRAKE LINES.....	1060-6	SOLENOID VALVE, MAIN HYDRAULIC PUMP	
SERVICE BRAKES.....	1011-2	310SJ.....	2160-4
SERVICE LOCK BAR, BOOM.....	1313-2	SOLENOID VALVE, MANIFOLD	
SERVICE LOCK BAR, BOOM (TOOL CARRIER).....	1313-4	(PILOT CONTROL).....	3362-31
SERVICE LOCK, LOADER ARM.....	1313-2	SOLENOID, RETURN-TO-DIG.....	3162-6
SERVICE LOCK, LOADER ARM (TOOL CARRIER).....	1313-4	SOLENOID, COLD WEATHER STARTING AID.....	0505-4
SHAFT, ROCKER ARM (DT060).....	0400-6	SOLENOID, MFDW CLUTCH DRIVE.....	0350-14
SHAFT, ROCKER ARM (TT094).....	0400-66	SOLENOIDS, TRANSMISSION SHIFT CONTROL.....	0360-6
SHAFT, UNIVERSAL DRIVE (MFWD).....	0250-3	SOUND ABSORBERS.....	9006-2
SHAFT, DRIVE (W/MFWD).....	0250-16	SOUND ABSORBERS.....	9006-4
SHAFT, LIMITED SLIP DIFFERENTIAL (MFWD).....	0250-10	SOUND REDUCTION INSULATORS.....	9006-2
SHAFT, PLANETARY DRIVE SUN GEAR		SOUND REDUCTION INSULATORS.....	9006-4
(MFWD).....	0250-8	SPACER, SYNTHETIC BUCKET.....	3346-2
SHAFT, REAR AXLE PLANETARY DRIVE.....	0201-6	SPACER, SYNTHETIC CROWD.....	3346-2
SHAFT, TRANSMISSION INPUT.....	0350-2	SPACER, WHEEL.....	0110-2
SHAFT, TRANSMISSION OUTPUT.....	0350-16	SPEAKER, RADIO.....	2001-2
SHIELD, LOADER CONTROL VALVE PLUMBING.....	1913-6	SPIRAL BEVEL INPUT PINION.....	0210-2
SHIELDS, ENGINE SIDE.....	1910-2	SPIRAL BEVEL INPUT PINION.....	0210-4
SHIFT CONTROL SOLENOIDS, TRANSMISSION.....	0360-6	SPRING, MECHANICAL SUSPENDED SEAT.....	1821-8
SHOCK ABSORBER, SUSPENDED SEAT.....	1821-8	SPRING, SUSPENSION SEAT.....	1821-16
SHOCK ABSORBER, SUSPENDED SEAT.....	1821-16	SPRING, VALVE (TT094).....	0400-88

# 0120-1

WHEELS AND TIRES 1

NON-POWERED WHEELS AND FASTENINGS 0120  
 FRONT WHEEL (WITHOUT MECHANICAL FRONT WHEEL DRIVE)  
 ROUE AVANT (SANS TRACTION AVANT MECANIQUE)  
 RUEDA MOTRIZ DELANTERA (SIN ETRACCION DELANTERA MECANICA)

TP3190 -UN-01JAN94



KEY	PART NO.	PART NAME	QTY.	SERIAL NO.	REMARKS
1	AT310291	WHEEL	1		X X X (FOR 11L X 16 TIRE)
2	AN132749	TIRE VALVE STEM	1		X X X (FOR 11L X 16 TIRE)
3	JD27	BOLT	8		X X X (WITHOUT CALCIUM CHLORIDE) (TUBELESS)

# 0210-3

AXLES AND SUSPENSION SYSTEMS 2

DIFFERENTIAL OR BEVEL DRIVE 0210

**SPIRAL BEVEL INPUT PINION AND RING GEAR SET**  
**JEU DE PIGNONS CONIQUES HELICOIDaux D'ENTREE ET COURONNES**  
**JUEGO DE PINON DE ENTRADA CONICO EN ESPIRAL Y CORONA DENTADA**

KEY	PART NO.	PART NAME	QTY.	SERIAL NO.	REMARKS
					3
					3 1
					3 1 0
					1 0 T
					0 S M
					J J C
1	.....	BEVEL GEAR	1		X X X
2	AT176491	CYLINDRICAL ROLLER BEARING	1		X X X
3	T159310	SHIM	1		X X X 1.2 MM
	T159315	SHIM	1		X X X 1.3 MM
	T159314	SHIM	1		X X X 1.4 MM
	T159309	SHIM	1		X X X 1.5 MM
	T159313	SHIM	1		X X X 1.6 MM
	T159308	SHIM	1		X X X 1.8 MM
	T159311	SHIM	1		X X X 1.9 MM
	T159307	SHIM	1		X X X 2.0 MM
	AT321701	SHIM	1		X X X 1.7 MM
	AT321702	SHIM	1		X X X 1.0 MM
	AT321703	SHIM	1		X X X 0.9 MM
	AT321704	SHIM	1		X X X 0.8 MM
	AT321705	SHIM	1		X X X 0.7 MM
	AT321706	SHIM	1		X X X 0.6 MM
	R75834	SHIM	1		X X X 0.5 MM
	R75404	SHIM	1		X X X 0.3 MM
	R75403	SHIM	1		X X X 0.2 MM
	R75405	SHIM	1		X X X 0.1 MM
	T228664	SHIM	1		X X X 0.75 MM
	T228665	SHIM	1		X X X 0.65 MM
	T228666	SHIM	1		X X X 1.25 MM
	T228667	SHIM	1		X X X 1.35 MM
	T228668	SHIM	1		X X X 1.45 MM
	T228669	SHIM	1		X X X 1.55 MM
	T228671	SHIM	1		X X X 1.65 MM
	T228672	SHIM	1		X X X 1.75 MM
	T228673	SHIM	1		X X X 1.85 MM

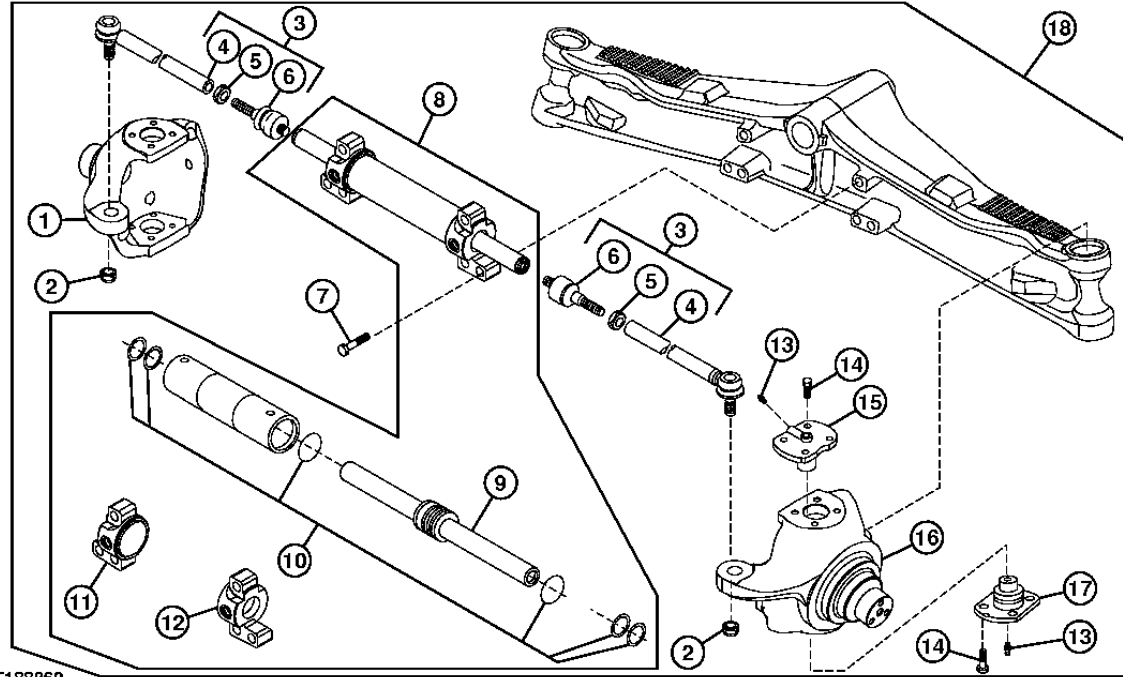
# 0230-7

AXLES AND SUSPENSION SYSTEMS 2

NON-POWERED WHEEL AXLES 0230

SWIVEL HOUSINGS AND STEERING CYLINDER (W/O MFWD)  
 CARTERS PIVOTANTS ET VERIN DE DIRECTION (W/O MFWD)  
 CAJAS DE GIRO Y CILINDRO DE DIRECCION (W/O MFWD)

T188860 -UN-27MAR03



T188860

3  
 3 1  
 3 1 0  
 1 0 T  
 0 S M  
 J J C

KEY	PART NO.	PART NAME	QTY.	SERIAL NO.	J J C	REMARKS
1	T190745	HOUSING	1		X X X	(LH)
2	AT280268	LOCK NUT	2		X X X	M20
3	AT198602	TIE ROD ASSEMBLY	2		X X X	
4	T191428	TIE ROD ASSEMBLY	2		X X X	
5	14M7309	NUT	2		X X X	M24
6	T191427	BALL JOINT	2		X X X	
7	T116290	BOLT	6		X X X	M20 X 80
8	AT326535	HYDRAULIC CYLINDER	1		X X X	
9	AT326536	ROD	1		X X X	
10	T218499	SEAL KIT	1		X X X	
11	.....	HYDRAULIC CYLINDER CAP	1		X X X	(LH)
12	.....	HYDRAULIC CYLINDER CAP	1		X X X	(RH)
13	R140070	LUBRICATION FITTING	4		X X X	
14	19M8011	CAP SCREW	16		X X X	M12 X 30
15	RE57471	TRUNNION	2		X X X	
	R122218	SPACER	AR		X X X	
16	T190746	HOUSING	1		X X X	(RH)
17	RE57472	TRUNNION	2		X X X	
18	AT307741	FRONT AXLE	1		X X X	(CA) (ADDITIONAL COMPONENTS ON PREVIOUS AND FOLLOWING PAGES)

# 0250-9

AXLES AND SUSPENSION SYSTEMS 2

AXLE SHAFT, BEARINGS AND REDUCTION GEARS 0250  
**PLANETARY DRIVE (W/MFWD)**  
**ENTRAINEMENT DE TRAIN PLANETAIRE (W/MFWD)**  
**MANDO DE PLANETARIOS(W/ MFWD)**

KEY	PART NO.	PART NAME	QTY.	SERIAL NO.	3 3 1 3 1 0 1 0 T 0 S M J J C	REMARKS
1	T229274	RING GEAR	2		X X X	
2	T229250	SUN GEAR	2		X X X	
3	T228911	SNAP RING	6		X X X	
4	T229258	PLANET PINION	6		X X X	
5	AT339811	CYLINDRICAL ROLLER BEARING	6		X X X	
6	T229259	PLANET PINION CARRIER	2		X X X	
7	AT339810	PLANETARY ASSEMBLY	2		X X X	
8	19M5039	SCREW	4		X X X	M10 X 20
9	R82198	O-RING	2		X X X	
10	T229212	PLUG	2		X X X	

# 0315-3

TRANSMISSION 3

CONTROLS 0315

TRANSMISSION CONTROL LEVER  
 LEVIER DE VITESSES  
 PALANCA DE CONTROL DE TRANSMISION

KEY	PART NO.	PART NAME	QTY.	SERIAL NO.	REMARKS
					3 3 1 3 1 0 1 0 T 0 S M J J C
1	AT314144	SWITCH	1		X X X
2	14M7375	FLANGE NUT	2		X X X M5
3	19M7709	SCREW	2		X X X M5 X 20
4	24H1283	WASHER	2		X X X 5.563 X 12.700 X 1.245 MM
5	H77698	TIE BAND	2		X X X

# 0342-3

TRANSMISSION 3

TRANS.:MOUNTING:PARTS 0342

**TRANSMISSION REAR MOUNTING SUPPORT  
SUPPORT DE MONTAGE ARRIERE DE TRANSMISSION  
SOPORTE DE MONTAJE TRASERO DE LA TRANSMISION**

KEY	PART NO.	PART NAME	QTY.	SERIAL NO.	REMARKS
					3
					3 1
					3 1 0
					1 0 T
					0 S M
					J J C
1	19M7941	CAP SCREW	2		X X X M16 X 120
2	T179952	WASHER	4		X X X
3	AT170854	ISOLATOR	2		X X X
4	T214064	SUPPORT	2		X X X
5	19M7489	CAP SCREW	4		X X X M16 X 45, 1.50
6	14M7276	NUT	2		X X X M16
8	24M7241	WASHER	2		X X X 17 X 34 X 4 MM



# 0360-3

TRANSMISSION 3

TRANSMISSION HYDRAULICS 0360

**TRANSMISSION CHARGE PUMP  
POMPE DE GAVAGE DE TRANSMISSION  
BOMBA DE CARGA DE LA TRANSMISION**

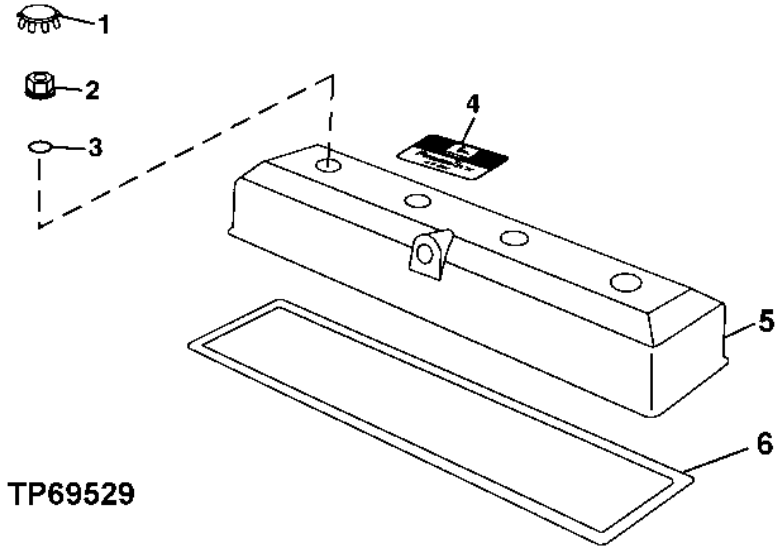
KEY	PART NO.	PART NAME	QTY.	SERIAL NO.	3 3 1 3 1 0 1 0 T 0 S M J J C	REMARKS
1	19M8658	SCREW	8		X X X	M8 X 60
2	AT179316	SEAL	1		X X X	
3	AT310590	HYDRAULIC PUMP	1		X X X	
4	T229393	O-RING	1		X X X	
5	T229382	CAP SCREW	2		X X X	
6	T164648	CAP SCREW	2		X X X	

# 0400-7

ENGINE 4  
ENGINE 0400

**ROCKER ARM COVER  
CACHE-CULBUTEURS  
TAPA DE BALANCINES**

TP69529 -UN-26JUL00



**TP69529**

KEY	PART NO.	PART NAME	QTY.	ENGINE SERIAL NO.	3 1 0 J	REMARKS
1	H23125	PLUG	4		X	
2	R123574	NUT	4		X	
3	R123575	O-RING	4		X	
4	R116324	MEDALLION	1		X	
5	RE502969	VALVE COVER	1		X	
6	R123542	GASKET	1		X	

# 0400-17

ENGINE 4

ENGINE 0400

KEY	PART NO.	PART NAME	QTY.	ENGINE SERIAL NO.	3	REMARKS
					1	
					0	
					J	
1	RE69243	DIPSTICK	1		X	
2	R502604	DIPSTICK TUBE	1		X	
3	R502725	PLUG	1		X	

# 0400-27

ENGINE 4

ENGINE 0400

KEY	PART NO.	PART NAME	QTY.	ENGINE SERIAL NO.	3 1 0 J	REMARKS
1	TY22464	CLAMP	3		X	
2	AT196258	ELBOW FITTING	1		X	
3	RE522766	IMPACTOR	1		X	
4	RE522079	CHECK VALVE	1		X	
5	RE65978	CLAMP	1		X	
6	AR21839	CLAMP	4		X	
7	R120467	ELBOW FITTING	1		X	
8	R519244	BRACKET	1		X	
9	R519273	HOSE	1		X	
10	R519274	HOSE	1		X	
11	R519275	HOSE	1		X	
12	R519286	HOSE	1		X	
13	R72328	O-RING	1		X	
14	19M7784	SCREW	4		X	M10 X 20
15	19M7866	SCREW	4		X	M8 X 20

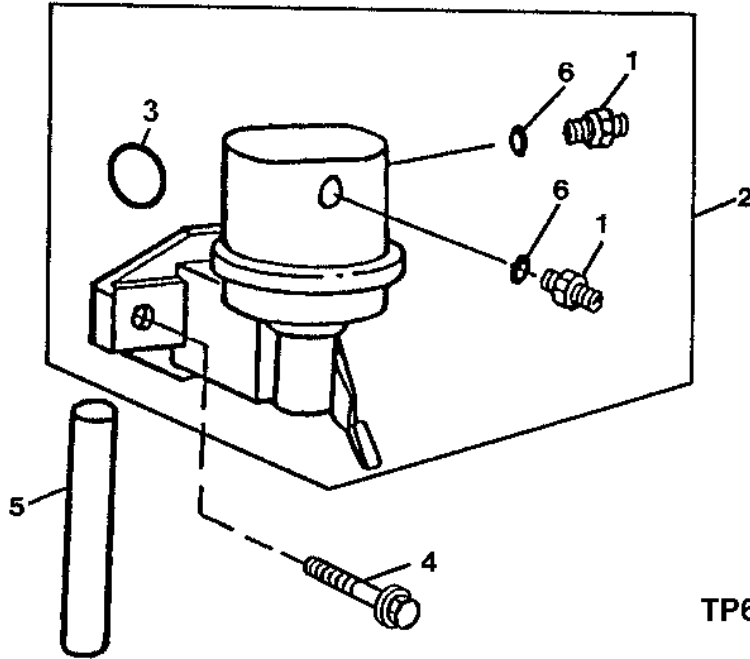
# 0400-37

ENGINE 4

ENGINE 0400

3713 (FUEL TRANSFER PUMP)  
 3713 (POMPE D'ALIMENTATION)  
 3713 (BOMBA DE ALIMENTACION DE COMBUSTIBLE)

TP69536 -UN-18JUL00



TP69536

KEY	PART NO.	PART NAME	QTY.	ENGINE SERIAL NO.	REMARKS
				3	
				1	
				0	
				J	
1	R500270	FITTING	2		X
2	RE66153	FUEL PUMP	1		X
3	R123273	O-RING	1		X
4	RE504233	CAP SCREW	2		X
5	R133405	PIN	1		X
6	R500271	O-RING	2		X

# 0400-47

ENGINE 4  
ENGINE 0400

KEY	PART NO.	PART NAME	QTY.	ENGINE SERIAL NO.	3 1 0 J	REMARKS
1	RE527299	ENGINE OVERHAUL KIT	1			X PISTON, (MARKED RE515372)

# 0400-57

ENGINE 4  
ENGINE 0400

KEY	PART NO.	PART NAME	QTY.	ENGINE SERIAL NO.	3 1 0 J	REMARKS
1	.....	KIT	1		X	
	RE51650	SEDIMENT BOWL	1		X	
	RE509794	FILTER HEAD	1		X	
2	RE526834	SEAL KIT	1		X	
3	RE60854	DRAIN VALVE	1		X	
4	RE509031	FILTER ELEMENT	1		X	
5	RE516512	O-RING KIT	1		X	
6	RE516553	SEAL KIT	1		X	
7	19M7784	SCREW	1		X	M10 X 20
	19M7785	SCREW	2		X	M10 X 25
	19M7786	SCREW	1		X	M10 X 30
	19M7835	SCREW	1		X	M10 X 35
..	R523233	BRACKET	1		X	

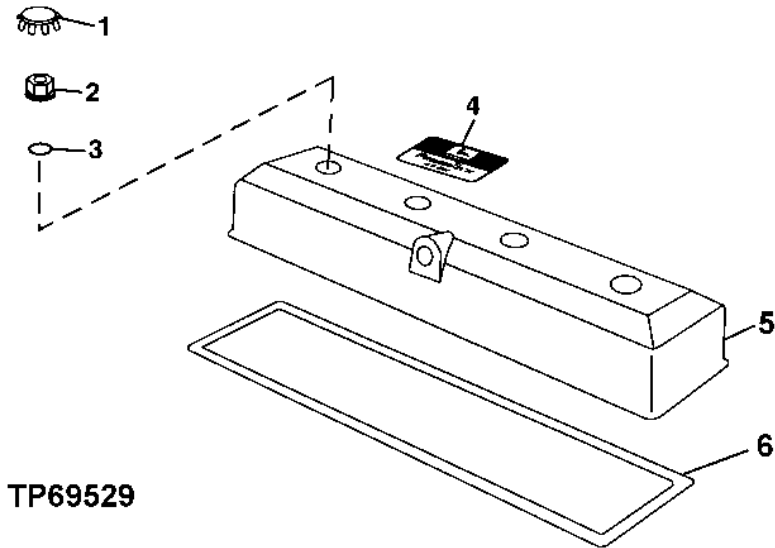
# 0400-67

ENGINE 4

ENGINE 0400

## ROCKER ARM COVER CACHE-CULBUTEURS TAPA DE BALANCINES

TP69529 -UN-26JUL00



TP69529

KEY	PART NO.	PART NAME	QTY.	ENGINE SERIAL NO.	3 3 1 1 0 0 S J J	REMARKS
1	H23125	PLUG	4		X X	
2	R123574	NUT	4		X X	
3	R123575	O-RING	4		X X	
4	R116324	MEDALLION	1		X X	
5	RE502969	VALVE COVER	1		X X	
6	R123542	GASKET	1		X X	

# 0400-77

ENGINE 4

ENGINE 0400

MEMORANDA  
MEMORANDA  
MEMORANDA

# 0400-87

ENGINE 4

ENGINE 0400

KEY	PART NO.	PART NAME	QTY.	ENGINE SERIAL NO.	3	REMARKS
					3 1	
					1 0	
					0 S	
					J J	
1	R120467	ELBOW FITTING	1		X X	
2	R72328	O-RING	1		X X	
3	R72659	CLAMP	1		X X	
4	19M7866	SCREW	1		X X	M8 X 20
5	TY24401	BULK HOSE	1		X X	

# 0400-97

ENGINE 4  
ENGINE 0400

KEY	PART NO.	PART NAME	QTY.	ENGINE SERIAL NO.	3	REMARKS
					J J	
					3 1	
					1 0	
					0 S	
					J J	
1	AR85519	PLUG	2		X X	
2	R123593	TUBE NUT	2		X X	
3	RE68748	TUBE	2		X X	
	R51936	SEALING WASHER	2		X X	(NOT ILLUSTRATED)
4	RE70848	FUEL LINE	1		X X	
	R51936	SEALING WASHER	3		X X	
5	RE19797	CLAMP	2		X X	
6	19M7300	CAP SCREW	2		X X	M6 X 10
7	RE59447	FUEL LINE	1		X X	NO. 1
8	RE59448	FUEL LINE	1		X X	NO. 2
9	RE59449	FUEL LINE	1		X X	NO. 3
10	RE59450	FUEL LINE	1		X X	NO. 4
11	19M7865	SCREW	1		X X	M8 X 16, NO. 2
12	R116116	BRACKET	1		X X	
13	T14050	CLAMP	1		X X	
14	14M7298	FLANGE NUT	1		X X	M8
15	RE19799	CLAMP	1		X X	
16	19M7300	CAP SCREW	1		X X	M6 X 10
17	51M7040	O-RING	1		X X	(USE WITH RE60029)
	R26286	O-RING	1		X X	(USE WITH RE59487)
18	RE60029	ADAPTER FITTING	1		X X	
	RE59487	FITTING	1	-706976	X X	
19	14M7273	NUT	3		X X	M8
20	R116386	STUD	3		X X	
21	26H10	SHAFT KEY	1		X X	5/32" X 5/8"
22	RE502378	FUEL INJECTION PUMP	1		X X	(A) (STANADYNE)
	SE500683	FUEL INJECTION PUMP	1		X X	(A) (REMAN RE502378)
	RE502377	FUEL INJECTION PUMP	1		X X	(A) (STANADYNE)
	SE500769	FUEL INJECTION PUMP	1		X X	(REMAN FOR RE502377) PKG 1
23	R132267	GEAR	1		X X	(Z = 60)
24	R132874	WASHER	1		X X	
25	R91360	NUT	1		X X	
26	R67364	ELBOW FITTING	1		X X	
27	12M7065	LOCK WASHER	3		X X	8 MM
28	T27860	WASHER	3		X X	
29	T16318	O-RING	1		X X	
	R502076	O-RING	1		X X	

(A) SEE YOUR AUTHORIZED PUMP REPAIR STATION FOR INTERNAL PARTS  
 (A) CONSULTER LA STATION DE REPARATION DE POMPE AGREEE POUR LES PIECES INTERNES  
 (A) CONSULTAR A UN TALLER AUTORIZADO DE REPARACION DE BOMBAS PARA LAS PIEZAS INTERNAS

# 0400-107

ENGINE 4  
ENGINE 0400

KEY	PART NO.	PART NAME	QTY.	ENGINE SERIAL NO.	3	REMARKS
					J J	
1	R123323	CLAMP	1		X X	
2	19M7788	SCREW	1		X X	M12 X 25
3	RE522076	THERMOSTAT	1		X X	82° C (180° F)
4	R502814	GASKET	1		X X	
5	R131016	COVER	1		X X	
6	19M8292	SCREW	1		X X	M10 X 50
7	RE46684	FITTING PLUG	1		X X	
8	19M7786	SCREW	1		X X	M10 X 30
9	R123226	GASKET	1		X X	
10	R501144	TUBE	1		X X	
11	R123324	CLAMP	1		X X	
12	19M7801	SCREW	1		X X	M8 X 60
13	51M7041	O-RING	2		X X	11.300 X 2.200 MM
14	RE52722	SENSOR	1		X X	
15	RE46684	FITTING PLUG	1		X X	

# 0510-5

ENGINE AUXILIARY SYSTEM 5  
ENGINE COOLING SYSTEMS 0510

**RADIATOR, HOSES, FAN SHROUD AND GUARD  
RADIATEUR, FLEXIBLES, CAPOT DE VENTILATEUR ET PROTECTION  
RADIADOR, MANGUERAS, ENVUELTA DEL VENTILADOR Y PROTECTOR**

KEY	PART NO.	PART NAME	QTY.	SERIAL NO.	REMARKS
					3
					3 1
					3 1 0
					1 0 T
					0 S M
					J J C
1	03M7247	BOLT	2		X X X M10 X 90
2	03M7307	BOLT	4		X X X M10 X 25
4	14M7274	NUT	6		X X X M10
5	14M7397	LOCK NUT	4		X X X M6
6	19M7008	CAP SCREW	2		X X X M8 X 10
7	19M7407	CAP SCREW	2		X X X M8 X 25
8	19M7922	CAP SCREW	6		X X X M8 X 40
9	19M7550	CAP SCREW	2		X X X M10 X 35
10	19M7572	CAP SCREW	2		X X X M10 X 45
11	19M7932	CAP SCREW	4		X X X M8 X 16
12	19M7933	CAP SCREW	4		X X X M6 X 25
13	24M7024	WASHER	1		X X X 9 X 28 X 3 MM
14	24M7100	WASHER	4		X X X 6.600 X 22 X 2 MM
15	24M7238	WASHER	13		X X X 8.700 X 17 X 2 MM
17	24M7239	WASHER	5		X X X
18	AH89557	CLIP	2		X X X
19	AH170895	CLAMP	2		X X X
20	RE56098	CLAMP	2		X X X
21	AT310335	FILLER CAP	1		X X X
22	AT312425	SHROUD	1		X X X
23	AT312426	GUARD	1		X X X
24	AT318095	ANGLE	1		X X X
25	AT320220	TANK	1		X X X
26	AT320238	THERMOSTATIC CONTROL VALVE	1		X X X
27	AT320239	RADIATOR	1		X X X
28	21M7246	SCREW	3		X X X M6 X 16
29	T214276	ADAPTER FITTING	1		X X X
30	AT323152	GUARD	1		X X X
31	AT324273	GROUND CABLE	1		X X X FASTENER
32	AT334333	RADIATOR HOSE	1		X X X
33	14H856	NUT	1		X X X
34	24H1789	WASHER	1		X X X
35	R26448	O-RING	1		X X X
36	T227450	DRAIN PLUG	1		X X X
37	AT337030	ADAPTER FITTING	1		X X X
38	R29936	O-RING	3		X X X
39	AT43223	ELBOW FITTING	1		X X X
40	T61861	ISOLATOR	2		X X X CTL
41	T185826	CLAMP	13		X X X
42	TY22566	BULK HOSE	4		X X X CTL
43	T68144	ISOLATOR	5		X X X CTL
44	TY22330	BULK HOSE	1		X X X CTL
45	H65405	FITTING	1		X X X

THIS PARTS LISTING IS CONTINUED

# 0520-5

ENGINE AUXILIARY SYSTEM 5

INTAKE SYSTEM 0520

PRE CLEANER  
 PREFILTRE  
 PREFILTRO

KEY	PART NO.	PART NAME	QTY.	SERIAL NO.	J J	REMARKS
					3	
					3 1	
					1 0	
					0 S	
					J J	
1	AT220930	PRECLEANER	1		X X	
2	AH140044	ISOLATOR	1		X X	
3	AT191266	TUBE	1		X X	
4	TY24867	KIT	1		X X	ADAPTER
5	21M7351	SCREW	2		X X	M6 X 20
6	T176553	PLUG	1		X X	
7	AR40418	HOSE CLAMP	1		X X	
8	PM37465	SEALANT	1		X X	
9	AT189492	KIT	1		X X	WHOLE GOODS

# 0960-3

STEERING SYSTEM 9

POWER:STEERING:HYDRAULIC:SYSTEM 0960  
**STEERING CYLINDER AND REPAIR KIT (W/MFWD)**  
**VERIN DE DIRECTION ET KIT DE REPARATION(W/MFWD)**  
**CILINDRO DE LA DIRECCION Y JUEGO DE REPARACION (W/MFWD)**

KEY	PART NO.	PART NAME	QTY.	SERIAL NO.	REMARKS
					3
					3 1
					3 1 0
					1 0 T
					0 S M
					J J C
1	T229279	SNAP RING	2		X X X
2	T229275	SNAP RING	1		X X X
3	T218502	HYDRAULIC CYLINDER KIT	1		X X X
4	T229276	PLUG	1		X X X
5	AT326543	ROD	1		X X X
6	T229281	BUSHING	1		X X X
7	T229277	PLUG	2		X X X
8	T229261	HYDRAULIC CYLINDER BARREL	1		X X X
9	T229280	FLANGE	1		X X X
10	T229278	SNAP RING	1		X X X
11	AT326542	HYDRAULIC CYLINDER	1		X X X
12	T229282	CAP SCREW	3		X X X

# 1011-3

SERVICE BRAKES 10

SERVICE BRAKE ACTIVE ELEMENTS 1011

**SERVICE BRAKE CLUTCH DISC AND DISC CARRIER  
FREIN DE SERVICE/DISQUE D'EMBRAYAGE/PORTE-DISQUE  
FRENO DE SERVICIO/DISCO DE EMBRAGUE/PORTADISCO**

KEY	PART NO.	PART NAME	QTY.	SERIAL NO.	REMARKS
					3
					3 1
					3 1 0
					1 0 T
					0 S M
					J J C
1	T228896	SNAP RING	2		X X X
2	T228909	WASHER	2		X X X
3	T228898	DISK SPRING	2		X X X
4	T228728	SNAP RING	2		X X X
5	19M8300	SCREW	6		X X X M8 X 40
6	T228727	PLATE	6		X X X
7	T228730	PISTON	2		X X X
8	T228895	SPRING PIN	8		X X X
9	T159403	BACK-UP RING	2		X X X
10	T159402	SEAL	2		X X X
11	T218485	SEAL	2		X X X
12	T218483	BACK-UP RING	2		X X X
13	T228910	WASHER	2		X X X
14	T228912	DISK SPRING	2		X X X
15	AT339059	BRAKE DISK	3		X X X
16	T197832	SNAP RING	2		X X X
17	T228729	DISK	1		X X X
18	T228911	SNAP RING	1		X X X
19	T228897	DISK	1		X X X
20	AT339543	BRAKE DISK	3		X X X
21	T228912	DISK SPRING	2		X X X
22	T162517	BLEED VALVE	2		X X X
23	T159565	PLUG	2		X X X

# 1060-11

SERVICE BRAKES 10

SERVICE BRAKES:HYDRAULICS 1060

**BRAKE VALVE BOOST PLUMBING (ROPS)**  
**CONDUITES HYDRAULIQUES DE SURALIMENTATION DE CLAPET DE FREIN (310J, 310SJ - ROPS)**  
**TUBERIA DE AUMENTO DE VALVULA DE FRENOS (310J, 310SJ - ROPS)**

KEY	PART NO.	PART NAME	QTY.	SERIAL NO.	REMARKS
					3
					3 1
					3 1 0
					1 0 T
					0 S M
					J J C
1	AT324239	HYDRAULIC HOSE - FABRICATE	1		X X
2	AT322268	HYDRAULIC HOSE - FABRICATE	1		X X
3	AT324240	HYDRAULIC HOSE - FABRICATE	1		X X
4	T77613	O-RING	3		X X
5	AT192417	TEE FITTING	1		X X
6	T186238	ADAPTER FITTING	1		X X
7	R26286	O-RING	1		X X

# 1314-3

MISCELLANEOUS VEHICLE 13

LICENSE BRACKET 1314

LICENSE PLATE LAMP AND BRACKET  
 PLAQUE MINERALOGIQUE, ECLAIRAGE ET SUPPORT  
 LUZ DE MATRICULA Y SOPORTE

KEY	PART NO.	PART NAME	QTY.	SERIAL NO.	J J	REMARKS
					3	
					3 1	
					1 0	
					0 S	
					J J	
1	AT34211	LAMP	1		X X	(INCLUDES (2) 24H1283 AND (2) 14M7297)
	AB2599R	BULB	1		X X	
2	AT34210	BRACKET	1		X X	
3	24H1283	WASHER	2		X X	
4	14M7297	NUT	2		X X	M5
5	JD5920	REFLECTOR	2		X X	
6	AT187708	WIRING HARNESS	1		X X	
7	24M7139	WASHER	8		X X	
8	14M7272	NUT	4		X X	M6
9	T186062	PLATE	1		X X	
10	19M7077	CAP SCREW	4		X X	M6 X 20
11	H77698	TIE BAND	6		X X	
12	AT187707	MOUNTING PARTS	1		X X	(WHOLE GOODS)

# 1671-3

**SINGLE BATTERY INSTALLATION  
INSTALLATION A BATTERIE UNIQUE  
INSTALACION DE BATERIA SENCILLA**

KEY	PART NO.	PART NAME	QTY.	SERIAL NO.	REMARKS
					3 3 1 3 1 0 1 0 T 0 S M J J C
1	AT322250	BATTERY CABLE	1		X X X POSITIVE
2	T129165	BOOT	1		X X X
3	T107117	COVER	1		X X X
4	14M7275	NUT	1		X X X M12
5	24M7047	WASHER	1		X X X
6	T121288	ANGLE	1		X X X
7	M40333	LOCK NUT	2		X X X 1/4"
8	24H1288	WASHER	2		X X X
9	AT195995	BATTERY CABLE	1		X X X NEGATIVE
10	03H2208	BOLT	2		X X X 1/4" X 9-1/4"
11	19M7402	CAP SCREW	1		X X X M10 X 25
12	24M7239	WASHER	1		X X X
13	TY6128	DRY CHARGED BATTERY	1		X X X (WARRANTY NO. AT132864) (950 CCA)
14	E64052	NUT	1		X X X
15	R44302	TIE BAND	1		X X X

# 1673-7

VEHICLE ELECTRICAL SYSTEM 16

VEHICLE LIGHTING SYSTEM 1673

**STANDARD LIGHTS, DELUXE LIGHTS AND ROOF HARNESS  
ECLAIRAGE STANDARD, ECLAIRAGE DE LUXE ET FAISCEAU DE TOIT  
LUCES ESTANDAR, LUCES DE LUJO Y ARNES DE TECHO**

KEY	PART NO.	PART NAME	QTY.	SERIAL NO.	REMARKS
					3
					3 1
					3 1 0
					1 0 T
					0 S M
					J J C
1	14M7517	LOCK NUT	8		X X X M10
2	19M8600	CAP SCREW	8		X X X M10 X 50
3	24M7101	WASHER	8		X X X 11 X 34 X 3 MM
4	14M7426	LOCK NUT	10		X X X M8
5	19M7165	CAP SCREW	10		X X X M8 X 55
6	19M8324	CAP SCREW	10		X X X M10 X 16
7	19M8482	SCREW	8		X X X M6 X 80
8	24M7239	WASHER	10		X X X 10.700 X 21 X 2.500 MM
9	AT323301	FLOODLAMP	10		X X X
10	AT130104	BULB	10		X X X (HALOGEN LONG LIFE)
11	AT324938	STOP LIGHT	2		X X X
12	AT326622	LAMP	2		X X X (WARNING LAMP)
13	AT321365	ROOF WIRING HARNESS	1		X X X (DELUXE LIGHTS)
	AT326166	ROOF WIRING HARNESS	1		X X X (STANDARD LIGHTS)
14	T209627	CLAMP	23		X X X
15	R44302	TIE BAND	10		X X X
16	RE49778	BULB	6		X X X
17	H77698	TIE BAND	10		X X X
18	T185664	SEALING WASHER	8		X X X
19	T216731	BRACKET	10		X X X

# 1674-7

VEHICLE ELECTRICAL SYSTEM 16

WIRING HARNESS AND SWITCHES 1674

**MONITOR PANEL WITH MONITOR, SWITCHES AND LABELS**  
**PANNEAU DE MONITEUR AVEC MONITEUR, INTERRUPTEURS ET ETIQUETTES**  
**TABLERO DE MONITOR CON MONITOR, CONMUTADORES Y ROTULOS**

KEY	PART NO.	PART NAME	QTY.	SERIAL NO.	REMARKS
					3
					3 1
					3 1 0
					1 0 T
					0 S M
					J J C
1	21M7292	SCREW	6		X X X M6 X 16
2	AT317592	TOGGLE/ROCKER SWITCH	1		X X X PARK BRAKE
3	T55501	CAP	1		X HORN
4	R39554	SWITCH	1		X X X HORN
5	AT308109	PUSH SWITCH	1		X ELECTRONIC CONSOLE
6	T215179	INSTRUMENT PANEL	1		X
7	R78035	PUSH NUT	1		X X X
8	AT329989	VEHICLE MONITOR	1		X
9	AT340550	POTENTIOMETER	1		X X X THROTTLE
10	24M7054	WASHER	10		X X X 6.400 X 12 X 1.600 MM
11	14M7360	LOCK NUT	4		X M5
12	24H1441	WASHER	1		X X X 1-1/64" X 1-1/2" X 0.048"
13	AT195302	KEY	1		X X X IGNITION
14	R44342	NUT	1		X X X 1"
15	AT195301	SWITCH	1		X X X IGNITION
16	AT309435	TOGGLE/ROCKER SWITCH	1		X X X REAR LIGHT
17	21M7403	SCREW	2		X X X M6 X 40
18	T82791	SCREW	4		X X X 4.166 X 16.002 MM
19	T82792	NUT	4		X X X
20	M115279	PLUG	4		X X X
21	AT317449	TOGGLE/ROCKER SWITCH	1		X REAR WIPER
22	T226430	STOP	1		X X X
23	T214214	INSTRUMENT PANEL	1		X X X
24	AL76568	KNOB	3		X X X RIDE CONTROL
25	RE43497	SWITCH	1		X FAN SPEED
26	R44165	LOCK NUT	2		X 7/16"
27	R203687	NUT	1		X A/C SWITCH
28	RE46742	CONTROL	1		X TEMPERATURE CONTROL
29	14H934	NUT	1		X 7/16"
30	12H292	LOCK WASHER	1		X 1/2"
31	AT186289	CABLE	1		X
32	T226427	WASHER	1		X X X

# 1674-25

VEHICLE ELECTRICAL SYSTEM 16

WIRING HARNESS AND SWITCHES 1674

**RETURN-TO-DIG LOADER POSITION SENSOR  
CAPTEUR DE RETOUR EN POSITION DE CREUSEMENT DU CHARGEUR  
SENSOR DE POSICION DE RETORNO PARA EXCAVAR DE LA CARGADORA**

KEY	PART NO.	PART NAME	QTY.	SERIAL NO.	3 3 1 3 1 0 1 0 T 0 S M J J C	REMARKS
1	T210717	BRACKET	2		X	
2	37M7092	SCREW	2		X	M8 X 16
3	03M7193	BOLT	4		X	M10 X 35
4	24M7239	WASHER	4		X	10.700 X 21 X 2.500 MM
5	14M7039	NUT	4		X	M10
6	R44302	TIE BAND	AR		X	
7	T215126	PLATE	2		X	
8	AT321247	COVER	1		X	
9	24M7293	WASHER	6		X	6.500 X 13 X 1.600 MM
10	19M8425	CAP SCREW	6		X	M6 X 16
11	AT323752	SPACER	1		X	
12	T216117	SHAFT	1		X	
13	AT313550	WIRING HARNESS	1		X	
14	24M7117	WASHER	4		X	4.300 X 9 X 0.800 MM
15	19M9158	SCREW	4		X	M4 X 40
16	T188693	BOLT	2		X	
17	AT321248	SENSOR	2		X	
18	37M7293	SCREW	2		X	
19	AT320775	SENSOR	1		X	
20	AT322216	COVER	1		X	

THIS PARTS LISTING IS CONTINUED

# 1675-5

VEHICLE ELECTRICAL SYSTEM 16

SYSTEM CONTROLS 1675

**RIGHT HAND DOOR SENSOR  
COMMANDE DE POMPE  
CONTROLE DE LA BOMBA**

KEY	PART NO.	PART NAME	QTY.	SERIAL NO.	3 3 1 3 1 0 1 0 T 0 S M J J C	REMARKS
1	AT307779	SENSOR	1		X	
2	T208283	PLATE	1		X	
3	37M7314	SCREW	2		X	M4 X 16
4	T226751	BOOT	1		X	

# 1749-3

FRAME, CHASSIS OR SUPPORTING STRUCTURE 17

CHASSIS WEIGHTS 1749

**FRONT COUNTERWEIGHT  
CONTREPOIDS AVANT  
CONTRAPESO DELANTERO**

KEY	PART NO.	PART NAME	QTY.	SERIAL NO.	REMARKS
					3 3 1 1 0 0 S J J
1	T210306	COUNTERWEIGHT	1		X X (WHOLE GOODS) (450 LB.) PRIMARY COUNTERWEIGHT
	<b>T210304</b>	<b>COUNTERWEIGHT</b>	<b>1</b>		<b>X X (WHOLE GOODS) (970 LB.) PRIMARY COUNTERWEIGHT</b>
2	T119912	WASHER	4		X X (USE WITH PRIMARY COUNTERWEIGHT)
3	19M8044	BOLT	4		X X M16 X 210, (USE WITH PRIMARY COUNTERWEIGHT)
4	14M7277	NUT	2		X X M20, (USE WITH ADDITIONAL COUNTERWEIGHT)
5	T151797	WASHER	4		X X (USE WITH ADDITIONAL COUNTERWEIGHT)
6	19M7645	BOLT	2		X X M20 X 200, (235 LB.) ADDITIONAL COUNTERWEIGHT, (USE WITH T210304)
	19M8389	BOLT	2		X X M20 X 280, (235 LB.) ADDITIONAL COUNTERWEIGHT, (USE WITH T210306)
	19M8817	BOLT	2		X X M20 X 360, (470 LB.) ADDITIONAL COUNTERWEIGHT, (USE WITH T210306)
7	<b>T210305</b>	<b>COUNTERWEIGHT</b>	<b>1</b>		<b>X X (WHOLE GOODS) (235 LB.) ADDITIONAL COUNTERWEIGHT</b>

# 1814-3

OPERATOR'S STATION 18  
WINDSHIELD AND WIPER 1814

**DOORS AND SIDE WINDOWS FOR CAB  
PORTIERES ET GLACES LATERALES POUR CABINE  
PUERTAS Y VENTANAS LATERALES DE CABINA**

KEY	PART NO.	PART NAME	QTY.	SERIAL NO.	REMARKS
					3
					3 1
					3 1 0
					1 0 T
					0 S M
					J J C
1	AM102062	LINK END	2		X X X
2	AT340155	CYLINDER	1		X X X
4	24M7238	WASHER	4		X X X 8.700 X 17 X 2 MM
5	14M7426	LOCK NUT	8		X X X M8
6	T188806	SCREW	4		X X X
	T133674	SELF-LOCKING SCREW	3		X X X
8	T217432	COVER	1		X X X RH
	T217433	COVER	1		X X X LH
9	R52921	WASHER	2		X X X PLASTIC
10	AR91896	STRIKER	2		X X X
11	24H1330	WASHER	2		X X X 15/32" X 1-3/8" X 7/64"
12	19M7938	CAP SCREW	4		X X X M10 X 20
13	AT326979	LATCH	1		X X X RH
	AT326978	LATCH	1		X X X LH
14	T135583	GUARD	1		X X X STRICKER
15	14H1047	NUT	1		X X X 7/16"
16	T105740	WASHER	1		X X X
17	19M7863	SCREW	5		X X X M6 X 25
18	19M7922	CAP SCREW	4		X X X M8 X 40
19	AT184652	ISOLATOR	1		X X X RH
	AT184719	ISOLATOR	1		X X X LH
20	.....	DOOR	1		X X X RH
	.....	DOOR	1		X X X LH
21	T135675	STAND-OFF	7		X X X
22	AT196522	LATCH	4		X X X
23	T119153	LATCH	4		X X X
24	A48970	DUAL LOCK FASTENER	8		X X X
25	.....	BASE	4		X X X
26	24H1288	WASHER	3		X X X 9/32" X 1" X 1/16"
27	T218865	WASHER	1		X X X PLASTIC
28	T205902	SPACER	2		X X X
29	T218866	SPACER	2		X X X
30	19M9402	CAP SCREW	3		X X X M6 X 80
31	T204599	GASKET	2		X X X
32	24M7239	WASHER	5		X X X 10.700 X 21 X 2.500 MM
33	T205901	WASHER	1		X X X
34	T214548	WINDOWPANE	1		X X X RH
	T214527	WINDOWPANE	1		X X X LH
35	AT306181	HANDLE	1		X X X
36	T165357	ISOLATOR	1		X X X
37	T76833	WASHER	4		X X X
39	24M7024	WASHER	8		X X X 9 X 28 X 3 MM
40	AT184524	HINGE	2		X X X LOWER R.H. AND UPPER L.H.
41	T158081	WASHER	8		X X X
42	T76832	WASHER	1		X X X
43	T185678	WASHER	4		X X X
44	T158358	BUSHING	4		X X X
45	T164707	WINDOWPANE	2		X X X RH AND LH
46	T186017	BUSHING	1		X X X
47	T186016	BUSHING	1		X X X
48	AT184651	HINGE	2		X X X LOWER L.H. AND UPPER R.H.
51	14M7167	LOCK NUT	1		X X X M10
52	T76830	GUARD	1		X X X
53	AT75311	KNOB	1		X X X
54	T164706	WINDOWPANE	1		X X X RH
	T166060	WINDOWPANE	1		X X X LH
55	T164710	ISOLATOR	1		X X X RH
	T164709	ISOLATOR	1		X X X LH
56	T186018	BUMPER	2		X X X

THIS PARTS LISTING IS CONTINUED

# 1814-15

OPERATOR'S STATION 18  
WINDSHIELD AND WIPER 1814

REAR WINDSHIELD WIPER SYSTEM  
ESSUIE-GLACE ARRIERE  
SISTEMA DE LIMPIACRISTAL

KEY	PART NO.	PART NAME	QTY.	SERIAL NO.	REMARKS
					3
					3 1
					3 1 0
					1 0 T
					0 S M
					J J C
1	AT304631	WIPER BLADE	1		X X X
2	AT323013	WIPER ARM	1		X X X
3	AT305685	PUSH SWITCH	1		X X X
4	AT315227	WIPER MOTOR	1		X X X (INCLUDES RE40049)
5	RE40049	KIT	1		X X X
6	AT340856	RAMP	2		X X X
7	19M8553	SCREW	1		X X X M6 X 16

# 1816-9

OPERATOR'S STATION 18

INSTRUMENTS;CONTROL;MOUNTING;STRUCTURE 1816  
**FRONT CONSOLE (CAB OR CANOPY)**  
**CONSOLE AVANT POUR CABINE ET AUVENT**  
**CONSOLA DELANTERA DE CABINA Y DOSEL**

KEY	PART NO.	PART NAME	QTY.	SERIAL NO.	REMARKS
					3
					3 1
					3 1 0
					1 0 T
					0 S M
					J J C
1	T183706	PANEL	1		X X (CANOPY)
2	T167083	PANEL	1		X X X (CAB)
3	21M7292	SCREW	6		X X X M6 X 16
4	T184008	ISOLATOR	1		X X X LEFT
5	T184009	ISOLATOR	1		X X X RIGHT
6	21M7403	SCREW	6		X X X M6 X 40
7	24H1821	WASHER	4		X X X 9/32" X 47/64" X 1/16"
8	T216570	PANEL	1		X X X
9	T185485	ADAPTER FITTING	1		X X X
10	T167119	COVER	1		X X (CANOPY)
	T167082	COVER	1		X X X (CAB)
11	AT191629	COVER	1		X X X (WITH AIR CONDITIONING)
12	T184345	RIVET	6		X X X
13	T134586	SPACER	1		X X X 6.580 X 9.525 X 12 MM
14	24M7117	WASHER	3		X X X 4.300 X 9 X 0.800 MM
15	AT304026	SWITCH	1		X X X HAZARD
16	AT309435	TOGGLE/ROCKER SWITCH	1		X X X FRONT LIGHTS
17	AT317445	TOGGLE/ROCKER SWITCH	1		X X X FRONT WINDSHIELD WIPER
18	M111583	PLUG	1		X X X
19	M115279	PLUG	4		X X X (WITH SEAL)
20	AT191919	WIRING HARNESS	1		X X X
21	T185743	CLIP	3		X X X
22	T185769	SCREW	3		X X X
23	AT191688	PLATE	1		X X X (WITH SEAL)
24	AT191876	ACTUATOR	1		X X X
25	19M7715	CAP SCREW	3		X X X M4 X 30
26	T185742	NUT	3		X X X
27	AT191877	BRACKET	1		X X X
28	AT191826	GATE	1		X X X
29	.....	ACTUATOR	1		X X X (ORDER AT191876) MOTOR
30	T186022	ELECTRICAL CONNECTOR ASSY	1		X X X

# 1821-3

OPERATOR'S STATION 18

SEAT AND SEAT BELT 1821

SEAT / ARMREST  
SIEGE / ACCOUDOIR  
ASIENTO / REPOSABRAZOS

KEY	PART NO.	PART NAME	QTY.	SERIAL NO.		REMARKS
					3	
					3 1	
					3 1 0	
					1 0 T	
					0 S M	
					J J C	
1	AT322954	SEAT KIT	1		X X	CLOTH WITH AIR SUSPENSION (W/O TMC) (INCLUDES SEAT, SUSPENSION, ARMS AND BASE SHOWN ON OTHER PAGES)
	AT322955	SEAT KIT	1		X X	VINYL WITH MECHANICAL SUSPENSION (W/O TMC) (INCLUDES SEAT, SUSPENSION, ARMS AND BASE SHOWN ON OTHER PAGES)
	AT322956	SEAT KIT	1		X X	CLOTH WITH MECHANICAL SUSPENSION (W/O TMC) (INCLUDES SEAT, SUSPENSION, ARMS AND BASE SHOWN ON OTHER PAGES)
	AT312846	SEAT KIT	1		X	CLOTH WITH AIR SUSPENSION (TMC) (INCLUDES SEAT, SUSPENSION AND BASE SHOWN ON OTHER PAGES)
2	AT189030	BRACKET	1		X X X	LH
3	AT189059	BRACKET	1		X X X	RH
4	AT209025	KIT	1		X X X	
5	37H121	SCREW	2		X X X	
6	R44302	TIE BAND	1		X X X	
7	AT308795	CUSHION	1		X X X	(CLOTH SEAT BACK)
	AT221015	SEAT	1		X X X	(VINYL SEAT BACK)
8	AT308796	CUSHION	1		X X X	(CLOTH SEAT PAD)
	AT221016	PAD	1		X X X	(VINYL SEAT PAD)
9	T171686	CLIP	4		X X X	
10	AT312728	ARMREST KIT	1		X X X	LH
11	AT312730	ARMREST KIT	1		X X X	RH
12	AT209225	KIT	1		X X X	
13	19M7402	CAP SCREW	4		X X X	
14	24M7239	WASHER	4		X X X	
15	M115279	PLUG	1		X X X	

CLICK HERE TO **DOWNLOAD** THE COMPLETE MANUAL

- Thank you very much for reading the preview of the manual.
- You can download the complete manual from: [www.heydownloads.com](http://www.heydownloads.com) by clicking the link below



- Please note: If there is no response to CLICKING the link, please download this PDF first and then click on it.

CLICK HERE TO **DOWNLOAD** THE COMPLETE MANUAL

# 1821-15

OPERATOR'S STATION 18

SEAT AND SEAT BELT 1821

SEAT BELT  
CEINTURE DE SECURITE  
CINTURON DE SEGURIDAD

KEY	PART NO.	PART NAME	QTY.	SERIAL NO.	REMARKS
					3
					3 1
					3 1 0
					1 0 T
					0 S M
					J J C
1	AT307769	KIT	1		X X X 2" SEAT BELT KIT
2	AT172910	SEAT BELT	1		X X X 2" SEAT BELT
	AT308199	SEAT BELT	1		X X X 3" SEAT BELT
3	19H2109	CAP SCREW	2		X X X 7/16" X 1-1/4"
4	T105740	WASHER	4		X X X
5	T160896	COVER	1		X X LH
6	T163962	COVER	1		X X RH

# 1830-7

OPERATOR'S STATION 18

HEATING AND AIR CONDITIONING 1830

**HEATER AND AIR CONDITIONING WITH PRESSURIZER  
CHAUFFAGE ET CLIMATISATION AVEC PRESSURISATEUR  
CALEFACTOR Y ACONDICIONADOR DE AIRE CON PRESURIZADOR**

KEY	PART NO.	PART NAME	QTY.	SERIAL NO.	REMARKS
					3 3 1 3 1 0 1 0 T 0 S M J J C
1	37M7073	SCREW	2		X X X
2	RE198074	TEMPERATURE SWITCH	1		X X X A/C THERMOSTAT SWITCH
3	T184620	SCREW	9		X X X
4	T205969	HOUSING	1		X X X (TOP)
5	RE157329	SWITCH	1		X X X
6	L57881	CLIP	1		X X X
7	AT210515	RESISTOR	1		X X X
8	R50279	NUT	2		X X X
9	AT191993	CORE	1		X X X (HEATER)
10	T184369	SEAL	2		X X X
11	H85092	SCREW	4		X X X
12	AT191994	EVAPORATOR	1		X X X
13	T181522	PLATE	1		X X X
14	R33259	O-RING	1		X X X
15	R113050	O-RING	1		X X X
16	RE174764	VALVE	1		X X X (EXPANSION)
17	PT11778	BOLT	2		X X X
18	R125223	PLATE	1		X X X
19	19M8553	SCREW	1		X X X M6 X 16
20	T143169	O-RING	3		X X X
21	R10093	O-RING	4		X X X
22	T185789	RADIATOR HOSE	1		X X X
23	T184924	HOSE CLAMP	4		X X X
24	AT193500	HAND OPERATED VALVE	1		X X X (WATER)
25	AT303214	LINE	1		X X X (LIQUID REFRIGERANT)
26	T178971	GROMMET	1		X X X (NOT ILLUSTRATED)
27	AT186289	CABLE	1		X X X
28	AT191990	REFRIGERANT HOSE	1		X X X
29	T166297	GROMMET	1		X X X
30	T160492	THREADED NIPPLE	2		X X X
31	R117721	CLAMP	2		X X X
32	19M7407	CAP SCREW	1		X X X M8 X 25
33	19M7922	CAP SCREW	3		X X X M8 X 40
34	24H1296	WASHER	2		X X X
35	AT192509	BRACKET	1		X X X
36	T13814	CLAMP	1		X X X
37	T70659	CLAMP	2		X X X
38	19M7881	SCREW	10		X X X M8 X 20
39	24M7207	WASHER	2		X X X 8.400 X 24 X 2 MM
40	AT335177	BLOWER MOTOR	1		X X X (PRESSURIZER)
41	H77698	TIE BAND	1		X X X
42	AH89557	CLIP	2		X X X
43	T178251	CAP SCREW	4		X X X
44	T186766	HOSE GUARD	1		X X X
45	T164618	HOUSING	1		X X X (BOTTOM)
46	AR77962	HOSE CLAMP	1		X X X
47	AT186304	HOSE	1		X X X (CONDENSATE)
48	T185845	ISOLATOR	2		X X X
49	R44302	TIE BAND	2		X X X
50	T184414	SHEET	2		X X X
51	T184415	PLUG	1		X X X
52	.....	HOSE	1		X X X (MAKE FROM T60811) (CTL 2.75 LIN. FT)
53	.....	HOSE	1		X X X (MAKE FROM T60811) (CTL 3.17 LIN. FT.)
54	H77698	TIE BAND	1		X X X

THIS PARTS LISTING IS CONTINUED

# 1913-3

SHEET METAL AND STYLING 19

MISCELLANEOUS SHIELDS 1913

**BATTERY ENCLOSURE AND TOOL BOX  
 COMPARTIMENT BATTERIE ET BOITE A OUTILS  
 ENVUELTA DE BATERIA Y CAJA DE HERRAMIENTAS**

KEY	PART NO.	PART NAME	QTY.	SERIAL NO.	REMARKS
					3
					3 1
					3 1 0
					1 0 T
					0 S M
					J J C
1	T165290	ANTI-SKID PAD	1		X X X
2	AT332084	TOOLBOX	1		X X X
3	AT333453	RIVET	5		X X X
4	AT332153	LATCH	1		X X X
5	T227945	ANGLE	1		X X X
6	AT332597	BATTERY BOX	1		X X X
7	19M8637	CAP SCREW	4		X X X M10 X 40
8	24M7296	WASHER	6		X X X
9	19M7402	CAP SCREW	4		X X X M10 X 25
10	24H1718	WASHER	1		X X X
11	JD5933	REFLECTOR	1		X X X
12	T212304	TOOL	1		X X X STC

# 2001-3

SAFETY, CONVENIENCE AND MISCELLANEOUS 20

RADIO 2001

RADIO, ANTENNA, SPEAKERS AND WIRE HARNESS (FOR USE WITH CAB ONLY)  
 RADIO, HAUT-PARLEURS, FAISCEAU DE FILS ET ANTENNE (A UTILISER AVAC CABINE SEULE)  
 RADIO, ALTAVOCES, ARNES DE ALAMBRADO Y ANTENA (USAR CON CABINA SOLAMENTE)

KEY	PART NO.	PART NAME	QTY.	SERIAL NO.	3 3 1 3 1 0 1 0 T 0 S M J J C	REMARKS
1	AT199388	ANTENNA	1		X X X	
2	T204635	BRACKET	1		X X X	ANTENNA BRACKET
3	AT335596	HEADLINER	1		X X X	WITH RADIO
	AT335595	HEADLINER	1		X X X	WITHOUT RADIO
4	19M7933	CAP SCREW	6		X X X	M6 X 25
5	T74952	GROMMET	1		X X X	
6	AT191575	WIRING HARNESS	1		X X X	
7	T186443	BRACKET	1		X X X	LH SPEAKER
8	R117892	NUT	6		X X X	
9	AT188759	SPEAKER	2		X X X	
10	21M7271	SCREW	6		X X X	M5 X 16
11	RE190139	RADIO	1		X X X	AM/FM STEREO
	RE227953	RADIO	1		X X X	AM/FM/CD/WEATHER BAND STEREO
12	19M7513	CAP SCREW	2		X X X	M8 X 30
13	24M7238	WASHER	2		X X X	
14	T165951	BRACKET	1		X X X	RADIO
15	T186444	BRACKET	1		X X X	RH SPEAKER
16	<b>AT192217</b>	<b>RADIO</b>	<b>1</b>		<b>X X X</b>	<b>(WHOLE GOODS)</b>
17	MT2485	PLUG	9		X X X	(DRILL HOLE TO 10MM )
18	24M7239	WASHER	1		X X X	10.700 X 21 X 2.500 MM
19	AT320544	LAMP	1		X X X	
20	19M8324	CAP SCREW	1		X X X	M10 X 16

# 2004-5

SAFETY, CONVENIENCE AND MISCELLANEOUS 20

WARNING: DEVICES INCLUDING HORN AND REVERSE ALARM 2004  
 BACK-UP ALARM SYSTEM (310TMC)  
 SYSTEME AVERTISSEUR SONORE DE MARCHE ARRIERE (310TMC)  
 SISTEMA DE BOCINA DE RETROCESO (310TMC)

KEY	PART NO.	PART NAME	QTY.	SERIAL NO.	J J C	REMARKS
					3	
					3 1	
					3 1 0	
					1 0 T	
					0 S M	
1	AT120461	TRAVEL WARNING ALARM	1		X	
2	19M7407	CAP SCREW	2		X	M8 X 25
3	24M7238	WASHER	2		X	8.700 X 17 X 2 MM
4	19M7813	SCREW	1		X	
5	14M7401	LOCK NUT	1		X	
6	AT326208	BRACKET	1		X	
7	14M7426	LOCK NUT	2		X	M8
8	12M7084	LOCK WASHER	1		X	4.300 MM

# 2160-5

VEHICLE MAIN HYDRAULIC SYSTEM 21

HYDRAULIC SYSTEM 2160

**MAIN HYDRAULIC PUMP (310SJ)  
POMPE HYDRAULIQUE PRINCIPALE (310SJ)  
BOMBA HIDRAULICA PRINCIPAL (310SJ)**

KEY	PART NO.	PART NAME	QTY.	SERIAL NO.	J J C	REMARKS
					3	
					3 1	
					3 1 0	
					1 0 T	
					0 S M	
					J J C	
1	.....	SEAL	1		X	
2	.....	BACK-UP RING	2		X	
3	.....	SEAL	2		X	
4	.....	SEAL	2		X	
5	AT199930	SEAL KIT	1		X	(P330)
6	AT317385	PRESSURE RELIEF VALVE	1		X	(2900 PSI)
	T164075	SPRING	1		X	UNLOADER SPOOL
7	AT180530	CHECK VALVE	1		X	
	R26906	O-RING	1		X	
	R27474	DRAIN PLUG	1		X	
8	AT199938	SEAL KIT	1		X	
	AT332462	HYDR./PILOT CONTROL VALVE	1		X	UNLOADER
9	.....	BACK-UP RING	2		X	
10	.....	SEAL	2		X	
11	.....	SEAL	2		X	
12	AT199931	SEAL KIT	1		X	(P315)
13	AT331223	PUMP	1		X	
14	F37030242	O-RING	1		X	
15	24M7240	WASHER	2		X	
16	19M7403	CAP SCREW	2		X	M12 X 35
17	AT195142	HYD ACTUATED CONTROL VALVE	1		X	
	AT195143	SEAL KIT	1		X	
	T187815	O-RING	1		X	
	AT333807	SOLENOID VALVE COIL	1		X	
	T225291	NUT	1		X	

# 2160-15

VEHICLE MAIN HYDRAULIC SYSTEM 21

HYDRAULIC SYSTEM 2160

**MAIN HYDRAULIC SYSTEM (310J)  
CIRCUIT HYDRAULIQUE PRINCIPAL (310J)  
SISTEMA HIDRAULICO PRINCIPAL (310J)**

KEY	PART NO.	PART NAME	QTY.	SERIAL NO.	3 3 1 3 1 0 1 0 T 0 S M J J C	REMARKS
1	14M7274	NUT	1		X	M10
2	19M7662	CAP SCREW	1		X	M10 X 30
3	24M7239	WASHER	1		X	10.700 X 21 X 2.500 MM
4	T185826	CLAMP	2		X	
5	38H1073	ELBOW FITTING	1		X	
6	R29936	O-RING	2		X	
7	T77858	O-RING	4		X	
8	T190892	HOSE FITTING	1		X	
9	38H1095	ELBOW FITTING	1		X	
10	T77857	O-RING	1		X	
11	38H1160	ADAPTER FITTING	1		X	
12	R26448	O-RING	1		X	
13	T77613	O-RING	1		X	
14	38H1163	ADAPTER FITTING	2		X	
15	T77858	O-RING	4		X	
16	U12547	O-RING	2		X	
17	38H1180	ADAPTER FITTING	1		X	
18	T76938	O-RING	1		X	
19	U13639	O-RING	1		X	
20	38H1194	ADAPTER FITTING	2		X	
21	38H1343	ADAPTER FITTING	1		X	
22	U17409	O-RING	2		X	
23	AT184951	HYDRAULIC HOSE - FABRICATE	1		X	
24	AT184952	HYDRAULIC HOSE - FABRICATE	1		X	
25	AT196397	HYDRAULIC HOSE - FABRICATE	1		X	
26	AT196398	HYDRAULIC HOSE - FABRICATE	1		X	
27	AT196400	HYDRAULIC HOSE - FABRICATE	1		X	
28	AT300153	HOSE CLAMP	4		X	
29	AT303066	HYDRAULIC HOSE - FABRICATE	1		X	
30	AT308555	HOSE CLAMP	2		X	
31	T208467	FITTING	1		X	
32	U13639	O-RING	1		X	
33	AT323623	HYDRAULIC HOSE - FABRICATE	1		X	
34	AT323728	SUCTION HOSE	1			
35	.....	BULK HOSE	1			(CTL, 3.7') (MAKE FROM T78497)
36	.....	BULK HOSE	1			(CTL, 2.25') (MAKE FROM TY22556)
37	R26906	O-RING	1			
38	R27474	DRAIN PLUG	1			
39	T102934	CLAMP	1			
40	T167142	HOSE CLAMP	1			

THIS PARTS LISTING IS CONTINUED

# 2160-25

VEHICLE MAIN HYDRAULIC SYSTEM 21

HYDRAULIC SYSTEM 2160

**RIDE CONTROL KIT  
KIT DE COMMANDE DE SUSPENSION  
JUEGO DE CONTROL DE SUSPENSION**

KEY	PART NO.	PART NAME	QTY.	SERIAL NO.	REMARKS
					3
					3 1
					3 1 0
					1 0 T
					0 S M
					J J C
1	14M7273	NUT	4		X X X M8
2	19M7550	CAP SCREW	4		X X X M10 X 35
3	19M7663	CAP SCREW	2		X X X M8 X 70
4	24M7238	WASHER	2		X X X 8.700 X 17 X 2 MM
5	24M7239	WASHER	4		X X X 10.700 X 21 X 2.500 MM
6	38H1005	ELBOW FITTING	2		X X X
7	T77857	O-RING	4		X X X
8	38H1046	ELBOW FITTING	3		X X X
9	R26375	O-RING	6		X X X
10	T77857	O-RING	7		X X X
11	38H1161	ADAPTER FITTING	1		X X X
12	38H5031	TEE FITTING	6		X X X
15	AT196351	HYDRAULIC ACCUMULATOR	1		X X X
	AT196760	KIT	1		X X X GAS VALVE REPAIR
17	AT199639	HYDRAULIC HOSE - FABRICATE	2		X X X
18	AT199640	HYDRAULIC HOSE - FABRICATE	1		X X X
19	AT199641	HYDRAULIC HOSE - FABRICATE	1		X X X
20	AT199644	HYDRAULIC HOSE - FABRICATE	1		X X X
21	AT199645	HYDRAULIC HOSE - FABRICATE	1		X X X
22	AT300928	PLATE	1		X X X
23	AT310818	SOLENOID HYDRAULIC VALVE	1		X X X
	14M7477	NUT	1		X X X
	AT280440	SOLENOID HYDRAULIC VALVE	1		X X X
	AT280441	SOLENOID VALVE COIL	1		X X X
	E71998	BACK-UP RING	1		X X X
	R28776	O-RING	1		X X X
30	AT315450	HYDRAULIC HOSE - FABRICATE	2		X X X
31	AT317451	TOGGLE/ROCKER SWITCH	1		X X X
32	AT321552	WIRING HARNESS	1		X X X
33	R44302	TIE BAND	8		X X X
34	AT323844	CLAMP	1		X X X
35	AT329135	WIRING HARNESS	1		X X X
36	MT2485	PLUG	6		X X X
37	R44302	TIE BAND	8		X X X
38	T148409	NUT	4		X X X
39	T162238	GROMMET	1		X X X
41	T210717	BRACKET	1		X X X
42	T216750	CHANNEL	2		X X X
43	T216756	CLAMP	1		X X X
44	T225374	LABEL	1		X X X
90	AT321323	FIELD INSTALLATION KIT	1		X X X WHOLEGOODS, (INCLUDES AT193881 AND T187193) RIDE CONTROL KIT
	AT193881	PLATE	1		X X X
	T187193	LABEL	1		X X X RIDE CONTROL

# 3102-13

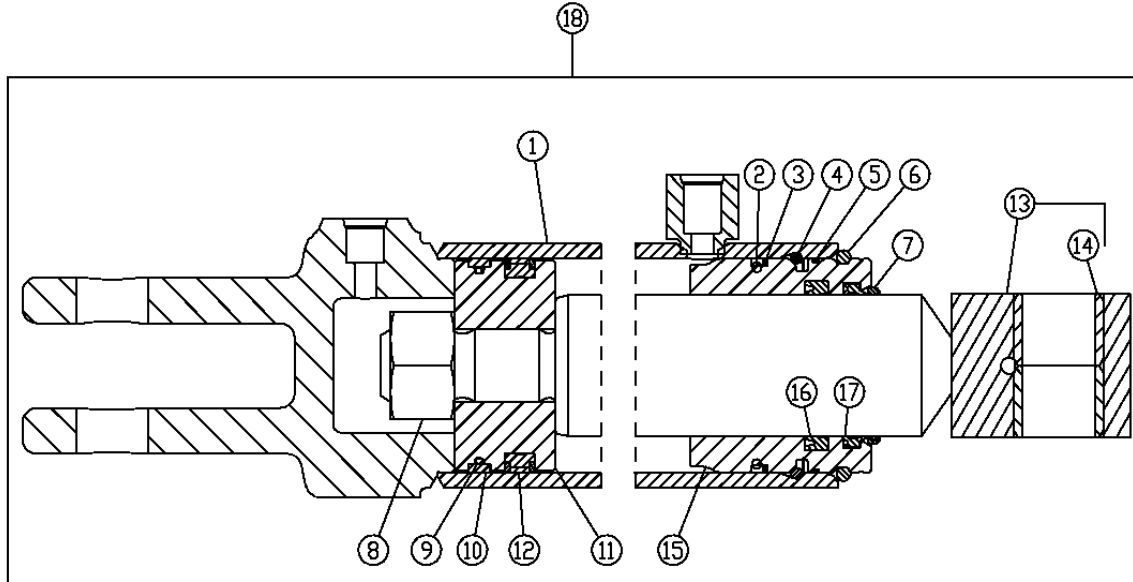
LOADER 31

BUCKET 3102

**MULTI-PURPOSE BUCKET CYLINDER AND REPAIR KIT**  
**VERIN DE BENNE UNIVERSELLE ET KIT DE REPARATION**  
**CILINDRO DE CUCHARON UNIVERSAL Y JUEGO DE REPARACION**

T197121

-UN-08JAN04



19 2,3,5,9,10,12,16,17

T197121

KEY	PART NO.	PART NAME	QTY.	SERIAL NO.	3 3 1 3 1 0 1 0 T 0 S M J J C	REMARKS
1	.....	HYDRAULIC CYLINDER BARREL	1		X X X	
2	T14065	O-RING	1		X X X	
3	.....	RING	2		X X X	
4	H177854	SNAP RING	1		X X X	
5	.....	O-RING	1		X X X	
6	H180927	SNAP RING	1		X X X	
7	.....	O-RING	1		X X X	
8	14H1112	NUT	1		X X X 1"	
9	.....	WEAR RING	1		X X X	
10	.....	O-RING	1		X X X	
11	.....	PISTON	1		X X X	
12	.....	PISTON RING	1		X X X	
13	.....	ROD	1		X X X	
14	.....	BUSHING	1		X X X	
15	.....	HYDR. CYLINDER ROD GUIDE	1		X X X	
16	H152203	SEAL	1		X X X	
17	.....	SEAL	1		X X X	
18	AH210737	HYDRAULIC CYLINDER	1		X X X	
19	AH209022	HYDRAULIC CYLINDER KIT	1		X X X	

# 3103-3

LOADER 31

FORKS 3103

**QUICK COUPLER FORKS AND FRAME  
FOURCHES A ACCOUPLEMENT RAPIDE ET BATI  
ACOPLADOR RAPIDO DE HORQUILLAS Y BASTIDOR**

KEY	PART NO.	PART NAME	QTY.	SERIAL NO.	REMARKS
					3
					3 1
					3 1 0
					1 0 T
					0 S M
					J J C
1	AT308925	FORK	1		X X X CONVENIENCE ASSY (48 INCH) (1219MM)
	AT308926	FORK	1		X X X CONVENIENCE ASSY (60 INCH) (1524MM)
2	AT308910	FORK	1		X X X CONVENIENCE ASSY
3	AT308138	FORKLIFT	1		X X X (WHOLEGOODS) (48 INCH) (1219MM)
	AT308139	FORKLIFT	1		X X X (WHOLEGOODS) (60 INCH) (1524MM)
4	AT308067	LOCK	2		X X X

# 3115-7

LOADER 31

CONTROLS LINKAGE 3115

**THIRD FUNCTION LOADER CONTROL VALVE LINKAGE  
TRINGLERIE DE DISTRIBUTEURS DE CHARGEUR A TROISIEME FONCTION  
VARILLAJE DE VALVULA DE CONTROL DE CARGADORA DE TERCERA FUNCION**

KEY	PART NO.	PART NAME	QTY.	SERIAL NO.	J J C	REMARKS
					3	
					3 1	
					3 1 0	
					1 0 T	
					0 S M	
					J J C	
1	19M7881	SCREW	2		X X	M8 X 20
2	19M8011	CAP SCREW	2		X X	M12 X 30
3	24M7180	WASHER	2		X X	13 X 37 X 3 MM
4	24M7238	WASHER	2		X X	8.700 X 17 X 2 MM
5	14H865	NUT	2		X X	1/2"
6	24M7053	WASHER	1		X X	17 X 30 X 3 MM
7	37H95	SCREW	2		X X	
8	AT124107	BALL JOINT	1		X X	
9	AT171550	KNOB	1		X X	
10	AT196591	LEVER	1		X X	
11	AT196596	LEVER	1		X X	
	<b>AT330850</b>	<b>FIELD INSTALLATION KIT</b>	<b>1</b>		<b>X X</b>	<b>(WHOLEGOODS) THIRD FUNCTION LOADER AUXILIARY VALVE KIT (INCLUDES CONTROLLER, LINKAGE, AND HOSES)</b>
12	L4694T	BUSHING	1		X X	
13	AT317764	SWITCH	1		X X	
14	AT321366	CONTROL SUPPORT	1		X X	
15	R44302	TIE BAND	2		X X	
16	T133291	KNOB	1		X X	
17	T166900	COVER	1		X X	
18	T167192	INSERT	1		X X	
19	T187072	SPACER	1		X X	
20	T216928	PLATE	1		X X	

# 3143-9

LOADER 31

MOVEABLE FRAME 3143

LOADER BUCKET LINKAGE  
 TRINGLERIE DE BENNE DE CHARGEUR  
 VARILLAJE DE CUCHARON DE CARGADORA

KEY	PART NO.	PART NAME	QTY.	SERIAL NO.	REMARKS
					3
					3 1
					3 1 0
					1 0 T
					0 S M
					J J C
1	24H1683	WASHER	2		X X X 2-1/32" X 2-3/4" X 0.060"
2	34H364	SPRING PIN	1		X X X 7/16" X 3"
3	40M7166	SNAP RING	2		X X X
4	40M7217	SNAP RING	2		X X X
5	AT322637	LINK	1		X X X
6	T154058	BUSHING	1		X X X 49.860 X 60.130 X 40 MM
7	T216397	BUSHING	1		X X X
8	AT322637	LINK	1		X X X
9	T154058	BUSHING	1		X X X 49.860 X 60.130 X 40 MM
10	T216397	BUSHING	1		X X X
11	AT324277	LINK	2		X X X
12	T183356	BUSHING	1		X X X 54.860 X 65.130 X 40 MM
13	T216397	BUSHING	1		X X X
14	JD7799	LUBRICATION FITTING	2		X X X 90° X 19.558 MM LONG
15	T158579	WASHER	2		X X X 75 X 110 X 3 MM
16	T161497	SHIM	6		X X X 0.508 MM
17	T162396	LUBRICATION FITTING	2		X X X
18	T215654	PIN	1		X 49.475 X 324.280 MM
	T216060	PIN	1		X X 49.475 X 324.280 MM
19	T224857	DOWEL PIN	4		X X X

# 3162-9

LOADER 31

CONTROL& LOAD:HOLDING:VALVES 3162

**AUXILIARY SECTION (LOADER/STABILIZER VALVE)**  
**SECTION AUXILIAIRE (SOUPAPE DE CHARGEUR/STABILISATEUR)**  
**SECCION AUXILIAR (VALVULA DE CARGADORA/ESTABILIZADOR)**

KEY	PART NO.	PART NAME	QTY.	SERIAL NO.	J J C	REMARKS
					3	
					3 1	
					3 1 0	
					1 0 T	
					0 S M	
					J J C	
1	R111493	FITTING PLUG	1		X X X	
2	T70177	O-RING	1		X X X	
3	21H1352	SCREW	2		X X X	
4	T81524	PLATE	2		X X X	
5	.....	SEAL	2		X X X	
6	.....	SEAL	2		X X X	
7	AT83174	FITTING PLUG	1		X X X	
8	T183757	SEAL	1		X X X	
9	T118694	POPPET	1		X X X	
10	T118693	SPRING	1		X X X	
11	R26906	O-RING	1		X X X	
12	T118692	FITTING PLUG	1		X X X	
13	T81540	RETAINER	2		X X X	
14	T118879	SPRING	1		X X X	
15	T81541	SCREW	1		X X X	
16	T118808	CAP	1		X X X	
17	19H3554	SCREW	2		X X X	1/4" X 0.880"
18	T118681	O-RING	1		X X X	
19	AT178362	KIT	1		X X X	
20	.....	BACK-UP RING	1		X X X	
21	.....	O-RING	1		X X X	
22	T118867	SPRING	1		X X X	
23	T118866	HOUSING	1		X X X	
24	AT280406	SEAL KIT	1		X X X	(SPOOL)
25	AT314538	SEAL KIT	1		X X X	(7/8") (RELIEF VALVE)
	AT314539	SEAL KIT	1		X X X	(1 1/16") (RELIEF VALVE)

# 3163-9

LOADER 31

LINES, HOSES & FITTINGS 3163

**LOADER BUCKET CYLINDER AND THIRD FUNCTION HYDRAULICS (310TMC)**  
**VERIN DE BENNE DE CHARGEUR ET CIRCUIT HYDRAULIQUE DE TROISIEME FONCTION (310TMC)**  
**SISTEMA HIDRAULICO DE CILINDRO DE CUCHARON DE CARGADORA Y TERCERA FUNCION (310TMC)**

KEY	PART NO.	PART NAME	QTY.	SERIAL NO.	REMARKS
					3 3 1 3 1 0 1 0 T 0 S M J J C
1	19M7662	CAP SCREW	1		X M10 X 30
2	19M7658	CAP SCREW	2		X M10 X 50
	19M7875	CAP SCREW	2		X M10 X 70
3	19M7938	CAP SCREW	2		X M10 X 20
4	19M8081	CAP SCREW	1		X M10 X 80
5	24M7239	WASHER	9		X 10.700 X 21 X 2.500 MM
6	24M7396	WASHER	4		X 21 X 34 X 3 MM
7	28H3381	SPACER	5		X
8	38H5092	NUT	4		X
9	38H1005	ELBOW FITTING	1		X
	38H1012	ELBOW FITTING	1		X USE WITH TOOL CARRIER
10	R26375	O-RING	5		X
11	T77857	O-RING	11		X
12	38H1148	FITTING PLUG	1		X
13	T77932	O-RING	5		X
14	38H1161	ADAPTER FITTING	2		X
15	38H1213	ADAPTER FITTING	4		X
16	38H1323	ELBOW FITTING	4		X
17	14M7274	NUT	1		X M10
18	AT188560	HYDRAULIC HOSE - FABRICATE	1		X
	AT321153	HYDRAULIC HOSE - FABRICATE	1		X USE WITH TOOL CARRIER
19	AT198254	HYDRAULIC HOSE - FABRICATE	1		X
	AT321157	HYDRAULIC HOSE - FABRICATE	1		X USE WITH TOOL CARRIER
20	AT198257	HYDRAULIC HOSE - FABRICATE	1		X
	AT321158	HYDRAULIC HOSE - FABRICATE	1		X USE WITH TOOL CARRIER
21	AT198258	HYDRAULIC HOSE - FABRICATE	1		X
	AT321159	HYDRAULIC HOSE - FABRICATE	1		X USE WITH TOOL CARRIER
22	AT198260	HYDRAULIC HOSE - FABRICATE	1		X
	AT321160	HYDRAULIC HOSE - FABRICATE	1		X USE WITH TOOL CARRIER
23	AT311775	HYDRAULIC HOSE - FABRICATE	1		X
24	AT311776	HYDRAULIC HOSE - FABRICATE	1		X
25	AT311777	HYDRAULIC HOSE - FABRICATE	1		X
26	AT311778	HYDRAULIC HOSE - FABRICATE	1		X
27	AT321152	OIL LINE	1		X
29	AT321154	OIL LINE	1		X
30	AT321155	OIL LINE	1		X
31	AT321156	OIL LINE	1		X
32	AR85327	CLAMP	1		X
33	R46919	HALF CLAMP	1		X
34	T105773	GUIDE	1		X
35	.....	HOSE GUARD	3		X (MAKE FROM T78606) (CTL, 10" (254MM))
36	T159954	CLAMP	4		X
37	T209685	BRACKET	1		X
38	T215395	HOSE CLAMP	1		X
39	T217085	CLAMP	2		X
40	AT173129	HYDRAULIC HOSE - FABRICATE	1		X

# 3165-7

LOADER 31

HYDRAULIC CYLINDERS 3165

**BOOM LIFT CYLINDER HADWARE (TOOL CARRIER)  
 VERIN DE RELEVAGE DE FLECHE ET KITS DE REPARATION (PORTE-OUTILS)  
 CILINDRO ELEVADOR DE AGUILON Y JUEGOS DE REPARACION (PORTAHERRAMIENTAS)**

KEY	PART NO.	PART NAME	QTY.	SERIAL NO.	3 3 1 3 1 0 1 0 T 0 S M J J C	REMARKS
1	19M8324	CAP SCREW	2		X	
2	24M7296	WASHER	2		X	
3	24M7443	WASHER	4		X	
4	40M7048	SNAP RING	4		X	
5	AT321164	PIN FASTENER	2		X	
6	T210989	PIN FASTENER	2		X	
7	T162396	LUBRICATION FITTING	4		X	

# 3165-17

LOADER 31

HYDRAULIC CYLINDERS 3165

**LOADER BUCKET CYLINDER AND REPAIR KIT (TOOL CARRIER)  
 VERIN DE BENNE DE CHARGEUR ET KIT DE REPARATION (PORTE-OUTILS)  
 CILINDRO DE CUCHARON DE CARGADORA Y JUEGO DE REPARACION (PORTAHERRAMIENTAS)**

KEY	PART NO.	PART NAME	QTY.	SERIAL NO.	3 3 1 3 1 0 1 0 T 0 S M J J C	REMARKS
1	RE20343	SEAL	1		X	
2	.....	SEAL	1		X	
3	.....	BACK-UP RING	2		X	
4	.....	SEAL	1		X	
5	R81775	WEAR RING	1		X	
6	AH146558	SEAL	1		X	
7	AH146562	SEAL	1		X	
8	.....	SEAL	1		X	
9	.....	BACK-UP RING	1		X	
10	AH146562	SEAL	1		X	
11	H152204	SEAL	1		X	
12	H152795	WEAR RING	1		X	
13	H180080	SNAP RING	1		X	
14	H180094	SNAP RING	1		X	
15	.....	O-RING	1		X	
16	R81862	BACK-UP RING	1		X	
17	AH216697	HYDRAULIC CYLINDER BARREL	1		X	
18	H216699	HYDRAULIC CYLINDER ROD	1		X	
19	H158947	BUSHING	1		X	
20	H180093	NUT	1		X	
21	AH216698	HYDRAULIC CYLINDER	1		X	
22	T162396	LUBRICATION FITTING	1		X	
23	AH149814	HYDRAULIC CYLINDER KIT	1		X	ROD
24	AH212585	HYDRAULIC CYLINDER KIT	1		X	BORE

# 3302-13

BACKHOE 33

BUCKET WITH TEETH 3302

**QUICK COUPLER (UNIVERSAL)  
 ACCOUPLEMENT RAPIDE (UNIVERSEL)  
 ACOPLAMIENTO RAPIDO (UNIVERSAL)**

KEY	PART NO.	PART NAME	QTY.	SERIAL NO.	3 3 1 3 1 0 1 0 T 0 S M J J C	REMARKS
1	T187117	BUSHING	2		X X	
	T187115	BUSHING	2		X	
2	T187116	BUSHING	2		X X	
	T187114	BUSHING	2		X	
3	AT325129	QUICK LOCK PIN	1		X X X	
4	AT315338	PIN FASTENER	1		X X X	
5	<b>AT324292</b>	<b>QUICK COUPLER</b>	1		<b>X X</b>	<b>TOP LOCK</b>
	<b>AT315337</b>	<b>QUICK COUPLER</b>	1		<b>X</b>	<b>TOP LOCK</b>

# 3315-7

BACKHOE 33

CONTROLS LINKAGE 3315

**TWO LEVER BACKHOE CONTROL LEVER VALVE CONVERSION KIT**  
**KIT DE CONVERSION DE SOUPAPE DE LEVIER DE COMMANDE DE RETROPELLE A DEUX LEVIERS**  
**JUEGO DE CONVERSION VALV. DE PALANCA A DOS PALANCAS CONTROL DE RETROEXCAVADORA**

KEY	PART NO.	PART NAME	QTY.	SERIAL NO.	3 3 1 3 1 0 1 0 T 0 S M J J C	REMARKS
1	T133291	KNOB	2		X X X	
2	AT184599	LEVER	1		X X X	(RH)
3	AT184598	LEVER	1		X X X	(LH)
4	M68954	LOCK NUT	4		X X X	3/8"
5	T165590	DUST SHIELD	2		X X X	
6	T185085	SPRING	2		X X X	
7	14H865	NUT	2		X X X	1/2"
8	T188639	GROMMET	2		X X X	
9	T166772	SPACER	2		X X X	
10	AT169087	BALL JOINT	4		X X X	
11	14H774	NUT	4		X X X	3/8"
12	T165697	ROD	4		X X X	
13	14H913	NUT	4		X X X	3/8"
14	T140328	YOKE	4		X X X	
15	T202956	RETAINER	4		X X X	
16	R65563	PIN FASTENER	4		X X X	
17	AT300152	LINK END	2		X X X	
18	14H865	NUT	1		X X X	1/2"
19	19M7361	CAP SCREW	2		X X X	M12 X 50
20	AT189269	COVER	1		X X X	
21	T166773	WASHER	2		X X X	
22	14M7313	LOCK NUT	2		X X X	M12
23	T165584	LABEL	1		X X X	
24	19M7866	SCREW	4		X X X	M8 X 20
25	<b>AT185624</b>	<b>LINKAGE</b>	<b>1</b>		<b>X X X</b>	<b>(WHOLE GOODS)</b>

# 3315-17

BACKHOE 33

CONTROLS LINKAGE 3315

**BACKHOE BOOM LOCK CONTROL LEVER AND LINKAGE**  
**TRINGLERIE ET LEVIER DE COMMANDE DE VERROUILLAGE DE FLECHE DE RETROPELLE (310G ET 310SG)**  
**PALANCA DE CONTROL DE BLOQUEO DE AGUILON DE RETROEXCAVADORA Y VARILLAJE (310G Y 310SG)**

KEY	PART NO.	PART NAME	QTY.	SERIAL NO.	3 3 1 3 1 0 1 0 T 0 S M J J C	REMARKS
1	T185309	KNOB	1		X X	MANUAL CONTROL
	T133291	KNOB	1		X X	PILOT CONTROL
2	19M8713	SCREW	4		X X	M6 X 45
3	24M7054	WASHER	4		X X	
4	AT195620	BEARING WITH HOUSING	2		X X	
5	AT195623	LEVER	1		X X	STD CONTROLS
	AT196387	LEVER	1		X X	PILOT CONTROLS
6	T177623	GROMMET	1		X X	
7	T166237	SPRING WASHER	1		X X	
8	F2863R	SNAP RING	2		X X	
9	24H1658	WASHER	1		X X	STD CONTROLS
	24H1658	WASHER	3		X X	PILOT CONTROLS
10	M40569	PIN FASTENER	1		X X	
11	11M7081	COTTER PIN	2		X X	
12	AT185847	BUMPER	1		X X	
13	AT185315	ROD	1		X X	
14	T188356	STRAP	2		X X	
15	T24509	SPRING	1		X X	
16	T157785	CLAMP	2		X X	
17	24M7040	WASHER	2		X X	11 X 20 X 2 MM
18	19M7938	CAP SCREW	2		X X	M10 X 20
19	M40569	PIN FASTENER	1		X X	
20	T200990	LABEL	1		X X	BOOM LOCK W/ PILOTS, (NOT ILLUSTRATED)
21	28H1921	BUSHING	4		X X	

# 3315-27

BACKHOE 33

CONTROLS LINKAGE 3315

PILOT CONTROLLER VALVE, WITH AUX ROLLER (310TMC)  
 VANNE DE COMMANDE PILOTE (310TMC)  
 VALVULA DE PALANCA DE CONTROL PILOTO (310TMC)

KEY	PART NO.	PART NAME	QTY.	SERIAL NO.	3 3 1 3 1 0 1 0 T 0 S M J J C	REMARKS
1	37M7340	BOLT	6		X	
2	AT317500	TOGGLE/ROCKER SWITCH	1		X	
3	AT332550	MULTI-FUNCTIONAL CONTROLLER	1		X	(RH)
4	22M7095	SET SCREW	2		X	M5 X 6
5	37M7286	SCREW	4		X	
6	AT316070	PUSH SWITCH	1		X	
7	19M9478	SCREW	2		X	M5 X 16
8	AT313628	SWITCH	1		X	
9	AT339804	SWITCH	1		X	
10	T218990	CAP	1		X	
11	T226063	GUARD	1		X	
12	T226064	SCREW	2		X	
13	T229192	GRIP	1		X	
14	T229193	GRIP	1		X	
15	T226139	BOOT	1		X	
16	AT332551	MULTI-FUNCTIONAL CONTROLLER	1		X	(LH)
17	22M7095	SET SCREW	2		X	M5 X 6
18	19M9478	SCREW	2		X	M5 X 16
19	AT324477	SWITCH	1		X	
20	AT326992	SWITCH	1		X	
21	T216843	GRIP	1		X	
22	T216844	GRIP	1		X	
23	T218990	CAP	1		X	
24	T226064	SCREW	2		X	
25	T228550	GUARD	1		X	
26	T226043	BOOT	1		X	
27	AT336779	PUSH SWITCH	2		X	
28	T219077	LABEL	1		X	
29	T228352	PANEL	1		X	

# 3343-3

BACKHOE 33

MOVEABLE FRAME 3343

SWING FRAME  
CHASSIS DE PIVOTEMENT  
BASTIDOR DE GIRO

KEY	PART NO.	PART NAME	QTY.	SERIAL NO.	3 3 1 3 1 0 1 0 T 0 S M J J C	REMARKS
1	AT334603	FRAME	1		X X	(INCLUDES (2) T201361 AND (2) T201362)
2	14M7328	LOCK NUT	2		X X	M16
3	T153531	PIN FASTENER	2		X X	STD
	T165563	PIN	2		X X	OS
	T212948	PIN FASTENER	2		X X	CHROME
4	19M8021	CAP SCREW	1		X X	M16 X 200
5	T162396	LUBRICATION FITTING	4		X X	
6	T205875	THRUST WASHER	1		X X	
7	19M7954	CAP SCREW	1		X X	M16 X 150
8	T201971	PIN	1		X X	
12	19M8035	CAP SCREW	2		X X	M16 X 35
13	24M7241	WASHER	2		X X	
14	T215678	BUSHING	2		X X	
15	AT306499	PIN	2		X X	STD
19	T217548	PIN	1		X X	
20	19M8324	CAP SCREW	2		X X	M10 X 16
21	24M7296	WASHER	2		X X	
22	T190925	HOSE GUARD	1		X X	
23	H140456	WASHER	2		X X	
24	T161036	WASHER	2		X X	
25	T201361	BUSHING	2		X X	
26	T201362	BUSHING	2		X X	
27	40M7066	SNAP RING	4		X X	
28	T161497	SHIM	3		X X	0.508 MM (0.020")
29	24H1615	WASHER	2		X X	
30	40M7120	SNAP RING	2		X X	

# 3345-7

BACKHOE 33  
BUCKET LINKAGE 3345

MEMORANDA  
MEMORANDA  
MEMORANDA

# 3348-3

BACKHOE 33  
STABILIZERS 3348

**STABILIZER ARMS AND FEET, STANDARD  
BRAS ET PIEDS DE STABILISATEUR, STANDARD  
BRAZOS Y PATAS ESTABILIZADORES, ESTANDAR**

KEY	PART NO.	PART NAME	QTY.	SERIAL NO.	3 3 1 3 1 0 1 0 T 0 S M J J C	REMARKS
1	AT196190	STABILIZER	2		X X X	
2	T163109	PIN FASTENER	2		X X X	
3	28H3387	BUSHING	2		X X X	0.493" X 0.675" X 1-1/4"
4	AT197876	STOP	2		X X X	
5	14M7401	LOCK NUT	2		X X X	
6	T161036	WASHER	4		X X X	
7	40M7066	SNAP RING	4		X X X	
8	T162396	LUBRICATION FITTING	2		X X X	
9	T69472	PIN FASTENER	2		X X X	
10	11H270	COTTER PIN	4		X X X	1/2" X 3"
11	T206569	STABILIZER FOOT	2		X X X	
12	AT195669	STREET PAD	4		X X X	
13	T29342	WASHER	12		X X X	
14	14H1040	NUT	12		X X X	1/2"
15	24M7240	WASHER	4		X X X	13 X 25 X 3 MM
16	19M8348	CAP SCREW	2		X X X	M12 X 65

# 3362-11

**BOOM SECTION  
SECTION DE FLECHE  
SECCION DE AGUILON**

KEY	PART NO.	PART NAME	QTY.	SERIAL NO.	J J C	REMARKS
					3	
					3 1	
					3 1 0	
					1 0 T	
					0 S M	
					J J C	
1	AT301789	HYD ACTUATED CONTROL VALVE	1		X	
	AT301783	HYD ACTUATED CONTROL VALVE	1		X	
2	AT171403	PRESSURE RELIEF VALVE	1		X X	(2150 PSI)
4	AT300803	PRESSURE RELIEF VALVE	1		X	(A) (5000 PSI) (1-1/16" PORT)
	AT301447	PRESSURE RELIEF VALVE	1		X	(A) (5500 PSI) (1-1/16" PORT)
5	AT301128	PRESSURE RELIEF VALVE	1		X	(B) (5000 PSI) (1-1/16" PORT)
	AT301487	PRESSURE RELIEF VALVE	1		X	(B) (5500 PSI) (1-1/16" PORT)
6	T118866	HOUSING	1		X X	
7	T118867	SPRING	1		X X	
8	AT178363	PRESSURE RELIEF VALVE	1		X X	
9	.....	O-RING	1		X X	
10	.....	BACK-UP RING	1		X X	
11	T118681	O-RING	1		X X	
12	21H1352	SCREW	2		X X	1/4" X 3/8"
13	T81524	PLATE	2		X X	
14	.....	SEAL	2		X X	
15	.....	SEAL	2		X X	
16	T81538	POPPET	1		X X	
17	T81539	SPRING	1		X X	
18	T118685	O-RING	1		X X	
19	AT178371	SEAL KIT	1		X X	(DRIFT CHECK)
20	T201424	PLUG	1		X X	
21	R26906	O-RING	1		X X	
22	R111238	SPRING	1		X X	
23	T81540	RETAINER	2		X X	
24	T160518	COMPRESSION SPRING	1		X X	
25	R30903	O-RING	1		X X	
26	T160519	SCREW	1		X X	
27	T118808	CAP	1		X X	
28	19H3554	SCREW	2		X X	
31	T107887	O-RING	2		X X	
32	.....	BACK-UP RING	2		X X	
33	T118681	O-RING	2		X X	
34	R63548	O-RING	1		X X	
35	.....	SPRING	1		X X	
36	.....	O-RING	1		X X	
37	AT280406	SEAL KIT	1		X X	SPOOL
38	AT300801	SEAL KIT	1		X X	(SEAL AND SPRING)
39	AT314539	SEAL KIT	1		X X	(1-1/16") RELIEF VALVE

(A) NOT ANTI-CAVITATION  
 (A) NON ANTI-CAVITATION  
 (A) SIN FUNCION ANTICAVITACION

(B) ANTI-CAVITATION  
 (B) ANTI-CAVITATION  
 (B) ANTICAVITACION

# 3362-21

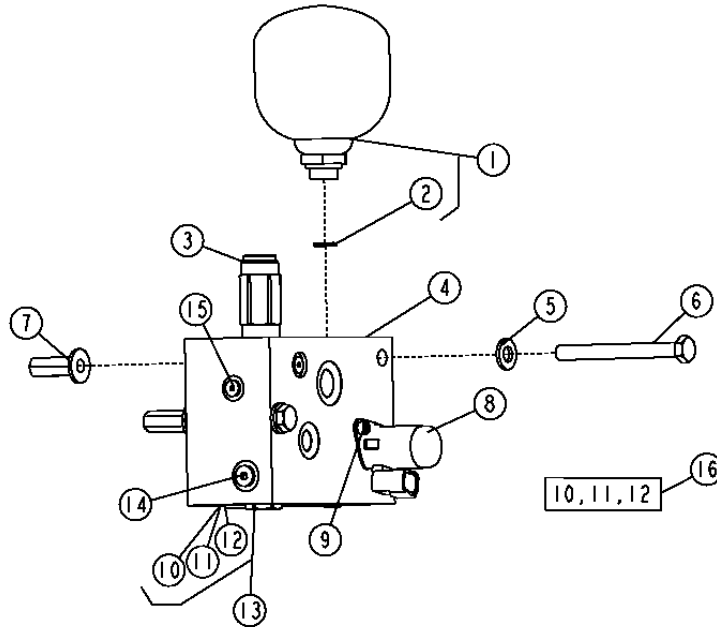
SELECTIVE FLOW SECTION  
SECTION DE DEBIT SELECTIF  
SECCION DE CAUDAL SELECTIVO

KEY	PART NO.	PART NAME	QTY.	SERIAL NO.	3 3 1 3 1 0 1 0 T 0 S M J J C	REMARKS
1	AT192384	VALVE SPOOL	1		X X	
2	AT190234	PRESSURE RELIEF VALVE	1		X X	(2900 PSI)
4	AT192385	HAND OPERATED VALVE	1		X X	(FLOW ADJUSTMENT)
5	T160663	PLUNGER	1		X X	
6	14H786	NUT	1		X X	1/4"
7	14H785	NUT	1		X X	5/16"
8	R26906	O-RING	3		X X	
9	R10093	O-RING	1		X X	
10	T118685	O-RING	1		X X	
11	T184356	SPRING	1		X X	
12	T76502	FITTING	1		X X	
13	AT174923	HYD ACTUATED CONTROL VALVE	1		X X	
	AT178475	SEAL KIT	1		X X	(SOLENOID VALVE)
14	T184271	POPPET	1		X X	
15	T160520	SPRING	1		X X	
16	T160613	PLUG	1		X X	
17	T183756	SEAL	1		X X	
18	.....	O-RING	2		X X	
19	T67424	NUT	1		X X	
20	T67425	NUT	1		X X	
21	AT314538	SEAL KIT	1		X X	(7/8") RELIEF VALVE

# 3362-31

PILOT CONTROL MANIFOLD  
COLLECTEUR DE COMMANDE PILOTE  
COLECTOR DE CONTROL PILOTO

T198598 -UN-22MAR04



T198598

KEY	PART NO.	PART NAME	QTY.	SERIAL NO.	3 3 1 3 1 0 1 0 T 0 S M J J C	REMARKS
1	AT195957	PNEUMATIC ACCUMULATOR	1		X X	
2	R26448	O-RING	1		X X	
3	AT332497	HYDRAULIC PRESSURE VALVE	1		X X	
4	AT196943	SEAL KIT	1		X X	
4	AT306550	FLOW CONTROL HYD. VALVE	1		X X	(INCLUDES AT224570, AT332497, AT49216, KV25678, 0344046 AND (6) T105368)
5	24M7239	WASHER	2		X X	
6	19M8093	CAP SCREW	2		X X	M10 X 100
7	T148410	NUT	2		X X	M10
8	KV25678	SOLENOID VALVE	1		X X	
9	0344046	BOLT	2		X X	
10	.....	BACK-UP RING	1		X X	
11	.....	O-RING	1		X X	
12	.....	O-RING	1		X X	
13	AT224570	CHECK VALVE	1		X X	(MARKED CV08)
14	AT49216	FITTING PLUG	1		X X	(INCLUDES R26448)
15	T105368	FITTING PLUG	6		X X	
16	AT300255	SEAL KIT	1		X X	

# 3362-41

BACKHOE 33

CONTROL, LOAD:HOLDING:VALVES 3362

**BOOM SECTION, PILOT  
SECTION DE FLECHE, SOUPAPE PILOTE  
SECCION DE AGUILON, PILOTO**

KEY	PART NO.	PART NAME	QTY.	SERIAL NO.	J J C	REMARKS
					3	
					3 1	
					3 1 0	
					1 0 T	
					0 S M	
					J J C	
1	AT320370	VALVE	1		X	
	AT300827	VALVE	1		X	
2	AT171403	PRESSURE RELIEF VALVE	1		X X	(2150 PSI)
3	AT300803	PRESSURE RELIEF VALVE	1		X	(5000 PSI) (NOT ANTI-CAVITATION)
	AT301447	PRESSURE RELIEF VALVE	1		X	(5500 PSI) (NOT ANTI-CAVITATION)
4	AT301128	PRESSURE RELIEF VALVE	1		X	(5000 PSI) (ANTI-CAVITATION)
	AT301487	PRESSURE RELIEF VALVE	1		X	(5500 PSI) (ANTI-CAVITATION)
5	T118866	HOUSING	1		X X	
6	T118867	SPRING	1		X X	
7	AT178363	PRESSURE RELIEF VALVE	1		X X	
8	.....	O-RING	1		X X	
9	.....	BACK-UP RING	1		X X	
10	T118681	O-RING	1		X X	
11	T191335	SCREW	2		X X	
12	T201072	CAP	1		X X	
13	790107100	SCREW	1		X X	
14	T201306	RETAINER	2		X X	
15	T201071	COMPRESSION SPRING	1		X X	
16	T191346	O-RING	1		X X	
17	790106800	RETAINER	1		X X	
18	T213059	O-RING	2		X X	
19	T81538	POPPET	1		X X	
20	T81539	SPRING	1		X X	
21	T118685	O-RING	1		X X	
22	AT178371	SEAL KIT	1		X X	(DRIFT CHECK)
23	T201424	PLUG	1		X X	
24	R26906	O-RING	1		X X	
25	R111238	SPRING	1		X X	
26	R30903	O-RING	1		X X	
27	T191336	PLUG	1		X X	
28	T201069	CAP	1		X X	
29	T191334	SCREW	2		X X	
30	T107887	O-RING	2		X X	
31	.....	BACK-UP RING	2		X X	
32	T118681	O-RING	2		X X	
33	R63548	O-RING	1		X X	
34	.....	SPRING	1		X X	
35	.....	O-RING	1		X X	
36	AT314538	SEAL KIT	1		X X	(7/8 IN) RELIEF VALVE
	AT314539	SEAL KIT	1		X X	(1-1/16 IN) RELIEF VALVE
37	AT300801	SEAL KIT	1		X X	(SEAL AND SPRING)
38	AT280406	SEAL KIT	1		X X	(SPOOL)

# 3362-53

BACKHOE 33

CONTROL, LOAD:HOLDING:VALVES 3362

BUCKET VALVE SECTION (310TMC)  
SECTION VERIN BENNE (310TMC)  
SECCION DE LA VALVULA DEL CUCHARON (310TMC)

KEY	PART NO.	PART NAME	QTY.	SERIAL NO.	3 3 1 3 1 0 1 0 T 0 S M J J C	REMARKS
1	AT338131	ELEC-HYD PROPORTIONAL VALVE	2		X	
2	AT339616	SOLENOID VALVE COIL	4		X	
3	AT339617	FLANGE NUT	4		X	
4	AT338132	ELEC-HYD PROPORTIONAL VALVE	2		X	
5	AT338201	PRESSURE RELIEF VALVE	1		X	
6	R111235	BACK-UP RING	2		X	
7	.....	O-RING	1		X	
8	.....	O-RING	1		X	
9	51M7121	O-RING	1		X	
10	T70177	O-RING	2		X	
11	R79060	O-RING	2		X	
12	AT338204	FITTING PLUG	1		X	
13	AT336644	MULTI-FUNCTIONAL CONTROLLER	1		X	
14	R93821	O-RING	2		X	
15	19M8146	SCREW	6		X	M5 X 16
16	R27094	DRAIN PLUG	1		X	
17	R26286	O-RING	1		X	
18	AT338206	CHECK VALVE	1		X	
19	U12547	O-RING	3		X	
20	F85112	DRAIN PLUG	2		X	
21	AT312613	ELEC-HYD PROPORTIONAL VALVE	1		X	
23	AT338133	SEAL KIT	2		X	
24	AT338205	SEAL KIT	2		X	

# 3362-63

BACKHOE 33

CONTROL, LOAD:HOLDING:VALVES 3362

(EH) SWING SECTION (310TMC)  
 (EH) SECTION DE PIVOTEMENT (310TMC)  
 (EH) SECCION DE GIRO (310TMC)

KEY	PART NO.	PART NAME	QTY.	SERIAL NO.	3 3 1 3 1 0 1 0 T 0 S M J J C	REMARKS
1	AT336679	FITTING PLUG	1		X	
2	U17409	O-RING	1		X	
3	X10HP5ON-S	FITTING PLUG	2		X	
4	R26906	O-RING	2		X	
5	RE210010	CLAMP	2		X	
6	19M7603	SCREW	2		X	
7	RE213499	SEAL KIT	2		X	
8	RE246316	VALVE	1		X	
9	RE244312	SOLENOID VALVE	1		X	
10	R26448	O-RING	1		X	
11	A73182	PIPE PLUG	1		X	
12	R10093	O-RING	6		X	
13	R139897	O-RING	2		X	
14	F37030228	O-RING	1		X	
15	R93821	O-RING	2		X	
16	AT336646	SEAL KIT	1		X	
17	AT336764	ELEC-HYD PROPORTIONAL VALVE	1		X	
18	T77932	O-RING	1		X	
19	AT336650	PRESSURE RELIEF VALVE	2		X	

# 3362-73

BACKHOE 33

CONTROL, LOAD:HOLDING:VALVES 3362

(EH) ACCUMULATOR (310TMC)  
(EH) ACCUMULATEUR (310TMC)  
(EH) ACUMULADOR (310TMC)

KEY	PART NO.	PART NAME	QTY.	SERIAL NO.	3 3 1 3 1 0 1 0 T 0 S M J J C	REMARKS
1	AT195957	PNEUMATIC ACCUMULATOR	1		X	
2	R26448	O-RING	1		X	
3	R26375	O-RING	2		X	
4	R39112	FITTING	2		X	

# 3363-9

BACKHOE 33

LINES, HOSES AND FITTINGS 3363

**BUCKET CYLINDER HYDRAULIC HOSES, LINES AND FITTINGS (STANDARD DIPPERSTICK)**  
**CYLINDRE DE GODET, FLEXIBLES ET RACCORDS HYDRAULIQUES (BRAS STANDARD)**  
**CILINDRO DE CUCHARON, MANGUERAS HIDRAULICAS Y ADAPTADORES (BRAZO ESTANDAR)**

KEY	PART NO.	PART NAME	QTY.	SERIAL NO.	3 3 1 3 1 0 1 0 T 0 S M J J C	REMARKS
1	14M7274	NUT	2		X X	M10
2	14M7298	FLANGE NUT	4		X X	M8
3	19M7550	CAP SCREW	4		X X	M10 X 35
4	19M7802	SCREW	4		X X	M8 X 65
5	24M7239	WASHER	2		X X	10.700 X 21 X 2.500 MM
6	38H1006	ELBOW FITTING	1		X X	
7	R26906	O-RING	4		X X	
8	T77932	O-RING	4		X X	
9	38H1162	ADAPTER FITTING	1		X X	
10	38H1214	ADAPTER FITTING	2		X X	
11	AR21842	CLAMP	1		X	
	C16054	CLAMP	1		X	
12	AT174393	HYDRAULIC HOSE - FABRICATE	1		X X	
13	T77858	O-RING	2		X X	
14	AT174394	HYDRAULIC HOSE - FABRICATE	1		X X	
15	AT280343	HYDRAULIC HOSE - FABRICATE	1		X X	
16	AT280344	HYDRAULIC HOSE - FABRICATE	1		X X	
17	AT325046	OIL LINE	1		X	
	AT325061	OIL LINE	1		X	
18	AT325047	OIL LINE	1		X	
	AT325062	OIL LINE	1		X	
19	T105773	GUIDE	1		X	
	T105774	GUIDE	1		X	
20	U12288	CLAMP	1		X X	
21	T160376	CLAMP	1		X X	
22	T162003	CLAMP	2		X X	
23	T162004	CLAMP	2		X X	
24	T162005	STRAP	2		X X	
25	T202050	ANGLE	2		X	

# 3363-23

LINES, HOSES AND FITTINGS 3363  
**CONTROLLED LOAD LOWERING DEVICE KIT (CROWD CYLINDER)(310SJ)**  
**KIT DE DISPOSITIF D'ABAISSEMENT DE CHARGE CONTROLE (VERIN DE CAVAGE)(310SJ)**  
**JUEGO DE DISPOSITIVO DE BAJADA CONTROLADA DE CARGAS (CILINDRO DE EMPUJE)(310SJ)**

KEY	PART NO.	PART NAME	QTY.	SERIAL NO.	3 3 1 3 1 0 1 0 T 0 S M J J C	REMARKS
1	AT180210	HYDRAULIC HOSE - FABRICATE	1		X	13/16" X 592 MM (23-1/4") X 1", (PORT "M")
2	T77932	O-RING	9		X	
3	38H1482	REDUCER	1		X	(RETURN LINE)
4	T77858	O-RING	1		X	(RETURN LINE)
5	T77857	O-RING	2		X	(PORT "M" HOSE ENDS)
6	38H1095	ELBOW FITTING	1		X	(PORT "M")
7	R26375	O-RING	1		X	(PORT "M")
8	38H1161	ADAPTER FITTING	1		X	(PORT "M")
9	U12547	O-RING	2		X	(PORT "FB" (1) - PORT "A" (1) )
10	38H1404	ELBOW FITTING	1		X	(PORT "A")
11	AT180213	HYDRAULIC HOSE - FABRICATE	1		X	(PORT "A" ) TO CROWD CAP TUBE
12	38H1329	ADAPTER FITTING	1		X	(PORT "FB")
13	AT180658	HYDRAULIC HOSE - FABRICATE	1		X	1" X 368 MM (14-1/2") X 1", (PORT "FB" )
14	38H1006	ELBOW FITTING	2		X	(PORT "B")
15	R26906	O-RING	2		X	(PORT "B" (1) - PORT "ANN" (1)
16	R44302	TIE BAND	1		X	(PORT "A" AND PORT "B" HOSES)
17	AT180214	HYDRAULIC HOSE - FABRICATE	1		X	(PORT "B") TO CROWD CAP TUBE
18	T228016	PLATE	1		X	(TO CROWD CYLINDER)
19	TY22493	HOSE CLAMP	2		X	(SUB FOR AR89602, THIS APPLICATION)
20	AT337721	OIL LINE	1		X	(PORT "ANN")
21	38H1162	ADAPTER FITTING	1		X	(PORT "ANN" )
22	AT175126	HYD ACTUATED CONTROL VALVE	1		X	
23	.....	SCREW	1		X	ADJUSTABLE (CLLD)
	.....	SEAL	1		X	LOCK NUT (CLLD VALVE)
24	AT180088	HYD ACTUATED CONTROL VALVE	1		X	LOAD CONTROL (400 PSI)
	AT180083	SEAL KIT	1		X	
25	AT180087	HYD ACTUATED CONTROL VALVE	1		X	
	AT180082	SEAL KIT	1		X	
26	AT180076	PRESSURE RELIEF VALVE	1		X	RELIEF (5000 PSI)
	AT180081	SEAL KIT	1		X	
27	AT180079	CHECK VALVE	1		X	SEQUENCE (450 PSI)
	AT180086	SEAL KIT	1		X	
28	T161665	LABEL	1		X	(SERVICE VALVE)
29	24M7239	WASHER	2		X	(MOUNTING BRACKET SCREWS)
30	19H1134	CAP SCREW	2		X	(MOUNTING BRACKET)
31	<b>AT336390</b>	<b>KIT</b>	<b>1</b>		<b>X</b>	<b>(WHOLE GOODS) (ALSO INCLUDES ADDITIONAL HYDRAULIC HOSES, FITTINGS AND MISCELLANEOUS PARTS)</b>

# 3363-41

BACKHOE 33

LINES, HOSES AND FITTINGS 3363

**AUGER HYDRAULICS (STANDARD DIPPERSTICK)  
CIRCUIT HYDRAULIQUE DE VIS (BRAS STANDARD)  
SISTEMA HIDRAULICO DE SINFIN (BRAZO ESTANDAR)**

KEY	PART NO.	PART NAME	QTY.	SERIAL NO.		REMARKS
					3	
					3 1	
					3 1 0	
					1 0 T	
					0 S M	
					J J C	
1	T77932	O-RING	4		X X	15.596 X 1.778 MM (0.614" X 0.070")
2	38H1069	FITTING	2		X X	(SWIVEL)
3	R26906	O-RING	4		X X	19.177 X 2.464 MM (0.755" X 0.097")
4	XH4-63-T10	HYDR.QUICK COUPLER SOCKET	2		X X	
5	XH4-62-T10	HYDR.QUICK COUPLER PLUG	2		X X	
6	38H1162	ADAPTER FITTING	2		X X	
7	AT335762	KIT	1		X X	(WHOLE GOODS)

# 3363-53

BACKHOE 33

LINES, HOSES AND FITTINGS 3363

**ATTACHMENT PLUMBING KIT (310TMC)  
KIT DE CONDUITES HYDRAULIQUES D'ACCESSOIRE (310TMC)  
JUEGO DE TUBERIA DE ACCESORIO (310TMC)**

KEY	PART NO.	PART NAME	QTY.	SERIAL NO.	REMARKS
					3
					3 1
					3 1 0
					1 0 T
					0 S M
					J J C
1	14M7274	NUT	9		X M10
2	19M7550	CAP SCREW	4		X M10 X 35
3	19M7662	CAP SCREW	4		X M10 X 30
4	19M8456	CAP SCREW	8		X M8 X 100
5	24M7239	WASHER	8		X 10.700 X 21 X 2.500 MM
6	38H1416	FITTING	2		X
7	38H1161	ADAPTER FITTING	2		X
8	R26375	O-RING	2		X
9	T77857	O-RING	2		X
10	AH77869	CLIP	1		X
11	AT329620	HYDRAULIC HOSE - FABRICATE	1		X 13/16" X 1 425 MM (56") X 13/16"
12	AT332112	HYDRAULIC HOSE - FABRICATE	1		X 13/16" X 1 375 MM (54-1/4") X 13/16"
13	AT332272	HYDRAULIC HOSE - FABRICATE	2		X 13/16" X 3 298 MM (129-3/4") X 13/16"
14	AT332036	TUBE	1		X
15	AT332048	TUBE	1		X
19	T162003	CLAMP	8		X
20	T206940	CLAMP	6		X
21	T24958	CLIP	8		X
22	AT332316	KIT	1		X <b>WHOLE GOODS</b>

# 3365-11

BACKHOE 33

HYDRAULIC CYLINDERS 3365

**BUCKET CYLINDER AND REPAIR KIT (310SJ)  
 VERIN DE BENNE ET KIT DE REPARATION (310J)  
 CILINDRO DE CUCHARON Y JUEGO DE REPARACION (310J)**

KEY	PART NO.	PART NAME	QTY.	SERIAL NO.	3 3 1 3 1 0 1 0 T 0 S M J J C	REMARKS
1	AH173410	PISTON	1		X	
2	AH146557	SEAL	1		X	
3	AH146561	SEAL	1		X	
4	.....	SEAL	1		X	
5	.....	BACK-UP RING	1		X	
6	H152203	SEAL	1		X	
7	H170216	SNAP RING	1		X	
8	H180787	SNAP RING	1		X	
9	H208987	WEAR RING	1		X	
10	H209221	HYDR. CYLINDER ROD GUIDE	1		X	
11	R81864	BACK-UP RING	1		X	
12	T12582	O-RING	1		X	
13	AH209081	HYDRAULIC CYLINDER BARREL	1		X	
14	AH209082	HYDRAULIC CYLINDER ROD	1		X	
15	H155419	BUSHING	1		X	
16	H170539	NUT	1		X	
17	AH219631	HYDRAULIC CYLINDER	1		X	
18	AH210484	HYDRAULIC CYLINDER KIT	1		X	
19	AH212092	HYDRAULIC CYLINDER KIT	1		X	

# 3365-21

BACKHOE 33

HYDRAULIC CYLINDERS 3365

**SWING CYLINDER AND REPAIR KIT (310SJ, 310TMC)  
 VERIN DE PIVOTEMENT ET KIT DE REPARATION (310SJ, 310TMC)  
 CILINDRO DE GIRO Y JUEGO DE REPARACION (310SJ, 310TMC)**

KEY	PART NO.	PART NAME	QTY.	SERIAL NO.	3	REMARKS
					J J C	
					3 1	
					3 1 0	
					1 0 T	
					0 S M	
					J J C	
0	H170539	NUT	1		X X	
1	H150947	PISTON RING	1		X X	
2	H154372	PISTON	1		X X	
3	RE20344	SEAL	1		X X	
4	R81776	WEAR RING	1		X X	
5	H151328	BUSHING	2		X X	
6	AH220114	HYDRAULIC CYLINDER BARREL	1		X X	
7	H154373	BACK-UP RING	1		X X	
8	H156486	HYDRAULIC CYLINDER CAP	1		X X	
9	P48403	O-RING	1		X X	
10	AH146557	SEAL	1		X X	
11	AH146561	SEAL	1		X X	
12	F1430R	O-RING	1		X X	
13	H152203	SEAL	1		X X	
14	H180103	SNAP RING	1		X X	
15	H181114	O-RING	1		X X	
16	H206859	SNAP RING	1		X X	
17	H208987	WEAR RING	1		X X	
18	R79101	BACK-UP RING	1		X X	
19	H180402	BUSHING	1		X X	
20	AH147893	HYDRAULIC CYLINDER ROD	1		X X	
21	H208631	HYDR. CYLINDER ROD GUIDE	1		X X	
22	AH220108	HYDRAULIC CYLINDER	1		X X	
23	AH212096	HYDRAULIC CYLINDER KIT	1		X X	(BORE SEAL)
24	AH210484	HYDRAULIC CYLINDER KIT	1		X X	(ROD SEAL)

# 9006-3

GENERAL BACKHOE 90

NOISE REDUCTION 9006

**NOISE REDUCTION HOOD ASSEMBLY WITH EXHAUST EXTENSION  
CAPOT D'INSONORISATION ET RALLONGE D'ÉCHAPPEMENT  
CONJUNTO DE CAPO REDUCTOR DE RUIDO Y EXTENSION DE TUBO DE ESCAPE**

KEY	PART NO.	PART NAME	QTY.	SERIAL NO.	J J J	REMARKS
					3 3	
					3 1 1	
					1 0 5	
					0 S S	
					J J J	
1	AT196358	LATCH	1		X X X	
2	T201591	BRACKET	1		X X X	
3	T165916	LOUVER	1		X X X	
4	19M7874	CAP SCREW	2		X X X	M6 X 30
5	19M8425	CAP SCREW	8		X X X	M6 X 16
6	21M7246	SCREW	4		X X X	M6 X 16
7	T165915	LOUVER	1		X X X	
8	T188642	GROMMET	1		X X X	
9	T184116	LABEL	1		X X X	
10	T216356	ACOUSTICAL UPHOLSTERY	1		X X X	
11	T216354	ACOUSTICAL UPHOLSTERY	1		X X X	
12	T184787	BRACKET	1		X X X	
13	T184788	PROTECTIVE COATING MATERIAL	1		X X X	
14	T216355	ACOUSTICAL UPHOLSTERY	1		X X X	
15	T216353	ACOUSTICAL UPHOLSTERY	1		X X X	
16	T217116	RETAINER	19		X X X	
17	T230467	HANGER	12		X X X	
18	T230468	HANGER	12		X X X	
19	T226954	ACOUSTICAL UPHOLSTERY	1		X X X	
20	T216348	ACOUSTICAL UPHOLSTERY	1		X X X	
21	21M7267	SCREW	8		X X X	M6 X 20
22	T211122	LOUVER	1		X X X	
23	24M7139	WASHER	22		X X X	6.400 X 18 X 1.600 MM
24	19M7933	CAP SCREW	2		X X X	M6 X 25
25	T165911	BUSHING	1		X X X	
26	14M7272	NUT	10		X X X	M6
27	T183773	NUT	4		X X X	
28	24M7138	WASHER	4		X X X	5.300 X 15 X 1.200 MM
29	19M7372	CAP SCREW	4		X X X	M5 X 16
30	T165997	INSERT	1		X X X	
31	T211121	LOUVER	1		X X X	
32	T216357	ACOUSTICAL UPHOLSTERY	1		X X X	
33	RE52087	CLAMP	1		X X X	
34	AT312126	MUFFLER EXTENSION	1		X X X	

# 00II-7

310J 310SJ 310TMC BACKHOE LOADER

## NUMERICAL INDEX - CONTINUED

PART NO.	KEY	PAGE	PART NO.	KEY	PAGE	PART NO.	KEY	PAGE
AT315450	30	2160-25	AT320235	2	0560-3	AT322130	3	1674-11
AT316070	6	3315-27	AT320238	26	0510-5	AT322216	20	1674-25
AT316070	6	3315-29	AT320239	27	0510-5	AT322221	4	1674-5F
AT316249	15	0960-9	AT320369	1	3362-43	AT322232	1	0560-3
AT316249	15	0960-11	AT320370	1	3362-41	AT322250	1	1671-3
AT316302	28	3362-9	AT320371	1	3362-47	AT322256	3	1313-5
AT316396	1	1674-5	AT320372	1	3362-45	AT322268	11	1060-9
AT316396	30	1674-5F	AT320378	1	3362-45	AT322268	2	1060-11
AT316533	1	0341-7	AT320497	9	3362-26	AT322270	10	1060-9
AT316534	1	0341-7	AT320501	1	3104-3	AT322327	12	0510-9
AT316535	1	0341-7	AT320544	9	1811-5	AT322359	19	1390-3
AT316536	1	0341-7	AT320544	19	2001-3	AT322365	1	3115-3
AT316538	1	0325-3	AT320644	16	3362-59	AT322366	15	1369-7
AT316670	1	0210-8	AT320685	15	3363-49	AT322535	26	3363-5
AT316681	14	1111-3	AT320703	6	3143-11	AT322543	27	3363-5
AT316689	1	1060-7	AT320705	9	3143-11	AT322545	28	3363-5
AT316690	2	1060-7	AT320775	19	1674-25	AT322637	5	3143-9
AT316706	5	3302-11	AT320797	24	2160-21	AT322637	8	3143-9
AT317091	20	3315-9	AT321000	16	3363-49	AT322742	9	1921-3
AT317328	3	3362-61	AT321003	17	3363-49	AT322743	10	1921-3
AT317350	25	3363-3	AT321004	7	1811-5	AT322879	12	1921-3
AT317385	6	2160-5	AT321005	7	1811-5	AT322915	11	1821-7
AT317435	21	1674-5F	AT321058	16	3363-51	AT322915	26	1821-17
AT317445	17	1816-9	AT321060	17	3363-51	AT322947	2	1674-31
AT317446	13	1814-13	AT321123	8	3362-57	AT322951	23	3346-5
AT317449	21	1674-7	AT321123	16	3363-5	AT322954	1	1821-3
AT317449	6	1674-29	AT321150	23	3163-5	AT322954	1	1821-5
AT317451	1	1675-3	AT321151	24	3163-5	AT322954	1	1821-7
AT317451	31	2160-25	AT321152	26	3163-7	AT322954	1	1821-17
AT317463	5	1673-3	AT321152	27	3163-9	AT322954	1	1821-19
AT317464	4	1674-29	AT321153	18	3163-9	AT322955	1	1821-3
AT317500	15	1674-5F	AT321154	29	3163-9	AT322955	1	1821-5
AT317500	2	3315-27	AT321155	28	3163-7	AT322955	1	1821-7
AT317500	2	3315-29	AT321155	30	3163-9	AT322955	1	1821-9
AT317504	1	1674-11	AT321156	29	3163-7	AT322955	1	1821-19
AT317592	2	1674-7	AT321156	31	3163-9	AT322956	1	1821-3
AT317594	9	1674-29	AT321157	19	3163-9	AT322956	1	1821-5
AT317596	5	1674-29	AT321158	20	3163-9	AT322956	1	1821-7
AT317596	8	1821-17	AT321159	21	3163-9	AT322956	1	1821-9
AT317597	1	1674-5B	AT321160	22	3163-9	AT322956	1	1821-19
AT317624	9	2160-13	AT321162	21	3163-5	AT323012	4	1814-11
AT317764	11	3115-5	AT321163	22	3163-5	AT323013	2	1814-15
AT317764	13	3115-7	AT321164	5	3165-7	AT323152	30	0510-5
AT317783	7	3362-5	AT321189	54	3163-11	AT323159	5	1674-5B
AT317784	7	3362-5	AT321190	56	3163-11	AT323177	3	0530-5
AT317785	7	3362-5	AT321211	17	1390-3	AT323181	3	0530-3
AT317786	7	3362-5	AT321214	16	1674-5F	AT323237	1	1910-3
AT317854	1	0110-5	AT321247	8	1674-25	AT323238	2	1910-3
AT317855	1	0110-3	AT321248	17	1674-25	AT323250	8	3344-3
AT317881	6	1672-7	AT321280	6	1672-7	AT323254	6	1674-5B
AT318073	1	1921-3	AT321323	90	2160-25	AT323256	10	1675-9
AT318085	15	2160-9	AT321337	18	3363-49	AT323257	5	1812-5
AT318095	24	0510-5	AT321365	13	1673-7	AT323269	1	0520-3
AT318113	9	1060-9	AT321366	12	3115-5	AT323301	9	1673-7
AT318271	15	0960-9	AT321366	14	3115-7	AT323398	1	3362-26
AT318271	15	0960-11	AT321472	5	0201-7	AT323398	1	3362-47
AT318274	9	2160-13	AT321526	4	1671-5	AT323593	4	0560-3
AT318374	6	1672-7	AT321527	12	1674-29	AT323623	33	2160-15
AT318525	27	1821-13	AT321552	2	1675-3	AT323623	32	2160-17
AT318647	41	3363-3	AT321552	32	2160-25	AT323642	29	3363-5
AT318792	4	3143-7	AT321701	3	0210-3	AT323646	42	1830-13
AT318939	15	3363-51	AT321702	3	0210-3	AT323647	47	1830-13
AT318947	13	1674-5F	AT321703	3	0210-3	AT323670	41	1910-3
AT318992	12	2160-23	AT321704	3	0210-3	AT323695	2	3143-3
AT319030	13	2160-23	AT321705	3	0210-3	AT323702	27	1830-13
AT320219	14	3363-49	AT321706	3	0210-3	AT323728	34	2160-15
AT320220	25	0510-5	AT321949	7	0250-15	AT323728	33	2160-17

# 00II-17

310J 310SJ 310TMC BACKHOE LOADER

## NUMERICAL INDEX - CONTINUED

PART NO.	KEY	PAGE	PART NO.	KEY	PAGE	PART NO.	KEY	PAGE
T102934	44	2160-19	T118692	23	3162-7	T126052	32	3346-5
T102934	8	3363-25	T118692	12	3162-9	T126052	17	3363-19
T105368	4	3362-31	T118693	14	3162-5	T126052	16	3363-27
T105368	15	3362-31	T118693	21	3162-7	T128437	2	2002-3
T105469	4	3365-9	T118693	10	3162-9	T128533	5	3102-9
T105740	16	1814-3	T118694	13	3162-5	T128533	28	3102-19
T105740	4	1821-15	T118694	20	3162-7	T128538	10	3102-9
T105740	23	1910-3	T118694	9	3162-9	T128538	27	3102-19
T105773	22	3163-3	T118695	4	3362-5	T129165	1	0400-41
T105773	27	3163-5	T118695	4	3362-7	T129165	2	1671-3
T105773	34	3163-7	T118695	4	3362-24	T129165	5	1671-5
T105773	34	3163-9	T118695	4	3362-25	T131938	13	1320-3
T105773	19	3363-9	T118695	5	3362-26	T13254	7	1369-7
T105773	5	3363-29	T118695	5	3362-27	T133291	16	3115-7
T105774	31	3346-5	T118697	4	3362-5	T133291	1	3315-7
T105774	5	3363-3B	T118697	4	3362-7	T133291	1	3315-17
T105774	19	3363-9	T118697	5	3362-26	T133674	6	1812-3
T105774	3	3363-27	T118697	5	3362-27	T133674	6	1814-3
T105774	5	3363-39	T118708	23	3162-5	T133674	32	3315-11
T105774	16	3363-43	T118709	25	3162-5	T134586	13	1816-9
T105988	18	3345-3	T118711	26	3162-5	T134874	19	1811-3
T107029	23	3363-19	T118712	27	3162-5	T134874	2	1816-15
T107029	38	3363-19	T118715	21	3162-5	T134874	2	1816-17
T107029	31	3363-25	T118768	1	3102-5	T134874	14	1830-5
T107116	7	1671-5	T118768	1	3102-17	T134881	11	3162-7
T107117	3	1671-3	T118799	28	3162-5	T134895	10	1811-5
T107117	6	1671-5	T118808	16	3162-9	T134895	30	1816-15
T107887	12	3162-5	T118808	21	3162-11	T134895	4	1816-17
T107887	19	3162-7	T118808	27	3362-11	T134895	1	2007-3
T107887	31	3362-11	T118808	12	3362-13	T135583	14	1814-3
T107887	17	3362-13	T118808	19	3362-15	T135675	21	1814-3
T107887	33	3362-15	T118808	16	3362-17	T135675	2	1814-7
T107887	30	3362-41	T118808	11	3362-19	T135675	16	1814-9
T107887	9	3362-43	T118808	11	3362-23	T13630	3	0960-5
T107887	27	3362-45	T118866	23	3162-9	T13630	3	0960-7
T11234	4	2002-3	T118866	6	3362-11	T13814	36	1830-7
T113128	7	0250-17	T118866	19	3362-17	T139165	1	1320-7
T113128	3	0325-3	T118866	20	3362-17	T139167	1	1320-7
T115030	5	2002-3	T118866	5	3362-41	T140211	7	0250-3
T116290	7	0230-7	T118866	2	3362-47	T140211	8	0250-5
T118681	10	3162-5	T118866	3	3362-47	T140311	15	1320-3
T118681	17	3162-7	T118867	22	3162-9	T140328	9	3162-3
T118681	18	3162-9	T118867	7	3362-11	T140328	16	3162-3
T118681	11	3362-11	T118867	19	3362-17	T140328	14	3315-7
T118681	33	3362-11	T118867	21	3362-17	T140328	6	3315-9
T118681	15	3362-13	T118867	6	3362-41	T140328	18	3315-11
T118681	35	3362-15	T118867	2	3362-47	T140328	22	3315-11
T118681	19	3362-17	T118867	4	3362-47	T140328	15	3315-13
T118681	27	3362-17	T118879	14	3162-9	T140328	5	3315-15
T118681	10	3362-41	T118884	24	3162-5	T140328	12	3315-19
T118681	32	3362-41	T119153	23	1814-3	T140328	7	3315-25
T118681	7	3362-43	T119912	5	0230-5	T140328	13	3315-33
T118681	29	3362-45	T119912	2	0250-3	T14050	9	0400-59
T118681	2	3362-47	T119912	2	1749-3	T14050	13	0400-97
T118681	8	3362-47	T121288	6	1671-3	T14050	9	0400-110
T118683	19	3162-11	T121288	12	1671-5	T14065	2	3102-13
T118685	5	3362-9	T121474	2	3315-35	T140699	3	3362-5
T118685	18	3362-11	T122075	4	0400-15	T140699	3	3362-7
T118685	8	3362-13	T122075	30	0400-51	T140699	6	3362-24
T118685	15	3362-15	T12275	7	3365-16	T140699	6	3362-25
T118685	11	3362-17	T12275	7	3365-18	T140699	7	3362-26
T118685	10	3362-21	T125808	4	3315-11	T140699	7	3362-27
T118685	21	3362-41	T12582	13	3165-9	T140700	3	3362-5
T118685	20	3362-43	T12582	14	3165-11	T140700	3	3362-7
T118685	20	3362-45	T12582	12	3365-11	T140700	7	3362-26
T118685	20	3362-47	T12582	17	3365-19B	T140700	7	3362-27
T118692	16	3162-5	T12582	4	3365-22	T14083	4	1313-3

CLICK HERE TO **DOWNLOAD** THE COMPLETE MANUAL

- Thank you very much for reading the preview of the manual.
- You can download the complete manual from: [www.heydownloads.com](http://www.heydownloads.com) by clicking the link below



- Please note: If there is no response to CLICKING the link, please download this PDF first and then click on it.

CLICK HERE TO **DOWNLOAD** THE COMPLETE MANUAL