



Illustrated Parts Manual

Model G6-42P

S/N 0189001 thru 0189345
& 0160000230 & After

91404001

*Revised
March 31, 2014*

CLICK HERE TO **DOWNLOAD** THE COMPLETE MANUAL

- Thank you very much for reading the preview of the manual.
- You can download the complete manual from: www.heydownloads.com by clicking the link below



- Please note: If there is no response to CLICKING the link, please download this PDF first and then click on it.

CLICK HERE TO **DOWNLOAD** THE COMPLETE MANUAL

SECTION 1

FRAME & ATTACHING PARTS

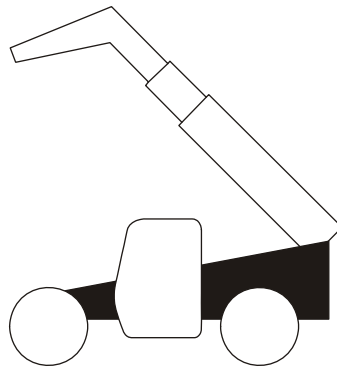




Figure 1-2 Rear Axle & Attaching Parts (Continued)

Item	Part Number	Qty.	Description	Rev.

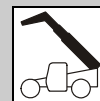


Figure 2-2 Bearing Pads, Spacers & Shims, (First Boom Section)

Item	Part Number	Qty.	Description	Rev.
1		Ref	FIRST BOOM SECTION, (see Figure 2-1 for details)	
2	90027471	8	HARDENED WASHER, 1/2	
3	0641808	4	HEX HD CAPSCREW, 1/2-13X1, GR5, (torque to 76-86 lb-ft)	
4	88991005	AR	HEX HD CAPSCREW, 1/2-20X1, (torque to 45-50 lb-ft)	
	91161222	4	MODIFIED BOLT, (S/N 0160037689 & After), (torque to 45-50 lb-ft)	
5	90027470	12	HARDENED WASHER, 3/8	
6	1001117654	2	WEAR PAD	
7	91401469	1	MOUNT PLATE	
8	91401224	2	SPACER	
9	91401215	AR	SHIM	
	91401216	AR	SHIM	
10	91401472	1	MOUNT PLATE	
11	0651607	AR	HEX HD CAPSCREW, 3/8-24X7/8, GR5, (torque to 32-37 lb-ft)	
	0651606	AR	HEX HD CAPSCREW, 3/8-24X3/4, GR5, (S/N 0160037689 & After), (torque to 32-37 lb-ft)	
	0651608	AR	HEX HD CAPSCREW, 3/8-24X1, GR5, (S/N 0160037689 & After), (torque to 32-37 lb-ft)	
12	0651608	AR	HEX HD CAPSCREW, 3/8-24X1, GR5, (torque to 32-37 lb-ft)	
	0651610	AR	HEX HD CAPSCREW, 3/8-24X1-1/4, GR5, (S/N 0160037689 & After), (torque to 32-37 lb-ft)	
13	91471227	AR	SHIM	
	91471226	AR	SHIM	
14	91401223	4	SPACER	
15	91403530	4	WEAR PAD	
16	0641607	AR	HEX HD CAPSCREW, 3/8-16X7/8, GR5, (torque to 32-37 lb-ft)	
	0651610	AR	HEX HD CAPSCREW, 3/8-24X1-1/4, GR5, (torque to 32-37 lb-ft)	
17	91401450	2	SPACER	
18	91401456	AR	SHIM	
	91401457	AR	SHIM	
19	91403532	2	WEAR PAD	
112	0651810	AR	HEX HD CAPSCREW, 1/2-20X1-1/4, GR5, (S/N 0160037689 & After)	
	0651812	AR	HEX HD CAPSCREW, 1/2-20X1-1/2, GR5, (S/N 0160037689 & After)	
186	88671008	2	STRAIGHT GREASE FITTING, (S/N 0160037689 & After)	

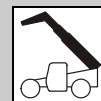


Figure 2-6 Bearing Pads, Spacers & Shims, (Third Boom Section)

Item	Part Number	Qty.	Description	Rev.
1		Ref	THIRD BOOM SECTION, (see Figure 2-5 for details)	
2	91403533	2	WEAR PAD	
3	91401451	2	SPACER	
4	91401453	AR	SHIM	
	91401454	AR	SHIM	
5	90027470	AR	FLAT WASHER, 3/8	
6	0651812	AR	HEX HD CAPSCREW, 1/2-20X1-1/2, GR5, (torque to 76-86 lb-ft)	
	0651810	AR	HEX HD CAPSCREW, 1/2-20X1-1/4, GR5, (S/N 0160037689 & After) , (torque to 76-86 lb-ft)	
7	0651607	AR	HEX HD CAPSCREW, 3/8-24X7/8, GR5, (torque to 32-37 lb-ft)	
	0651606	AR	HEX HD CAPSCREW, 3/8-24X3/4, GR5, (S/N 0160037689 & After) , (torque to 32-37 lb-ft)	
	0651605	AR	HEX HD CAPSCREW, 3/8-24X5/8, GR5, (S/N 0160037689 & After) , (torque to 32-37 lb-ft)	
8	91471228	AR	SHIM	
9	91401225	2	SPACER	
10	91403531	2	WEAR PAD	
11	88261128	AR	SOCKET BUTTON HD CAPSCREW, 3/8-24X1, (torque to 32-37 lb-ft)	
	88261129	AR	SOCKET BUTTON HD CAPSCREW, 3/8-24X1-1/4, (S/N 0160037689 & After) , (torque to 32-37 lb-ft)	
12	1001117655	2	WEAR PAD	
13	90027471	4	HARDENED WASHER, 1/2	
14	91401226	2	SPACER	
115	88671027	2	GREASE FITTING, (S/N 0160037689 & After)	
121	88991005	AR	HEX HD CAPSCREW, 1/2-20X1, GR5, (S/N 0160037689 & After) , (torque to 45-50 lb-ft)	
	91161222	AR	MODIFIED BOLT, GR5, (S/N 0160037689 & After) , (torque to 45-50 lb-ft)	

Figure 3-1 Tilt Carriage

Item	Part Number	Qty.	Description	Rev.
	91405073	1	48 IN CARRIAGE ASSY, (includes items 1 thru 7)	D
	91405074	1	72 IN CARRIAGE ASSY, (includes items 1 thru 7)	D
1	NSS	1	48 IN CARRIAGE WELDMENT	
	NSS	1	72 IN CARRIAGE WELDMENT	
2	NSS	1	S/N PLATE	
4	90200003	2	COLLAR	
5	88201105	2	HEX HD CAPSCREW, 5/8-11X4, GR5	
6	88521310	2	HEX LOCKNUT, 5/8-11, (nylok)	
7	91401303	1	FORK PIN, (48 IN carriage)	
	91401324	1	FORK PIN, (72 IN carriage)	
8		Ref	FORK, (see Figure 3-16 for details)	

Figure 3-5 Truss Boom

Item	Part Number	Qty.	Description	Rev.
	91405083	1	10 FT TRUSS BOOM ASSY, (includes all items, except item 2)	D
	91405082	1	15 FT TRUSS BOOM ASSY, (includes all items, except item 1)	D
1	NSS	1	10 FT TRUSS BOOM WELDMENT	
2	NSS	1	15 FT TRUSS BOOM WELDMENT	
3	88671001	1	STRAIGHT LUBE FITTING, 1/8	
4	90402948	1	PIN	
5	88501008	1	HEX NUT, 1/2-13	
6	88201073	1	HEX HD CAPSCREW, 1/2-13X3, GR5	
8	90451053	1	HANGER	
9	90453041	1	SHACKLE	
10	90453040	1	SWIVEL HOOK	
	91164440	1	SAFETY LATCH KIT	
11	NSS	1	ATTACHMENT S/N PLATE	

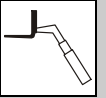


Figure 3-8 100 Degree Swing Fork Assembly (Continued)

Item	Part Number	Qty.	Description	Rev.

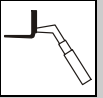


Figure 3-12 100 Degree Drywall Swing Carriage Assembly

Item	Part Number	Qty.	Description	Rev.
	91405078	1	100 DEGREE DRYWALL SWING CARRIAGE, (includes all items)	0
1	NSS	1	DRYWALL CARRIAGE WELDMENT	
2	84719167	2	HOSE ASSY	
3	2220606	2	RUN TEE, (includes item 4)	
4	88591204	4	O-RING	
5	8760268	2	ELBOW, 90 DEGREE, (swivel nut)	
6	91041326	2	PIVOT PIN	
7	88581136	4	SNAP RING	
8	91413100	2	MANIFOLD BLOCK	
9	88201008	8	HEX HD CAPSCREW, 1/4-20X1-3/4, GR5	
10	88551009	6	LOCKWASHER, 1/4	
11	2220371	2	CONNECTOR, (includes item 4)	
12	88201105	4	HEX HD CAPSCREW, 5/8-11X4, GR5	
13	90200003	4	COLLAR	
14	88521310	4	HEX LOCKNUT, 5/8-11	
15	91401340	2	FORK PIN	
16	84719197	2	HOSE ASSY	
17	91041322	2	LOCKING PLATE	
18	83201026	4	HEX HD CAPSCREW, 1/2-13X1-1/2, GR8	
19	91041325	2	PIVOT PIN	
20	83201024	4	HEX HD CAPSCREW, 3/8-16X1, GR8	
21	88671008	2	STRAIGHT LUBE FITTING, 1/4-28	
22	91041324	2	PIVOT PIN	
23	91411073	2	LOCKING PLATE	
24	NSS	1	PIVOT WELDMENT	
25	88671018	2	LUBE FITTING, 45 DEGREE, 1/8	
26	91406070	1	RH SUPPORT BRACKET	
27	91406069	1	LH SUPPORT BRACKET	
28	91401266	2	PIN	
29	88631449	2	ROLL PIN, 1/8X1-1/2	
30	91043221	2	DETENT PIN	
31	91033038	24 in	CHAIN	
32	91033039	2	CHAIN CONNECTION	
33	NSS	1	S/N PLATE	
35	91143282	2	PINCH POINT DECAL	
36	91041327	2	BUSHING	
37	91043125	1	DUST PLUG	
38	91403413	1	FEMALE QUICK DISCONNECT	
39	2220372	6	CONNECTOR, (includes item 40)	
40	88591205	8	O-RING	
41	91403414	1	MALE QUICK DISCONNECT	
42	91043126	1	DUST CAP	
43	91041356	6	SPACER	
44	91413099	1	RELIEF VALVE	
45	88201029	2	HEX HD CAPSCREW, 5/16-18X3-1/4, GR5	
46	88501005	2	HEX NUT, 5/16-18	
47		Ref	SWING CYLINDER, (see Figure 12-27 for details)	
48	88241053	14	SOCKET FLAT HD CAPSCREW, 3/8-16X1-1/2	
49	90553013	2	BOTTOM DRYWALL GUARD	

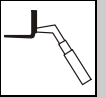
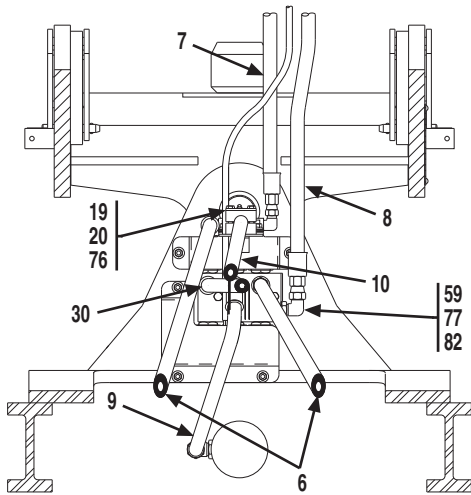
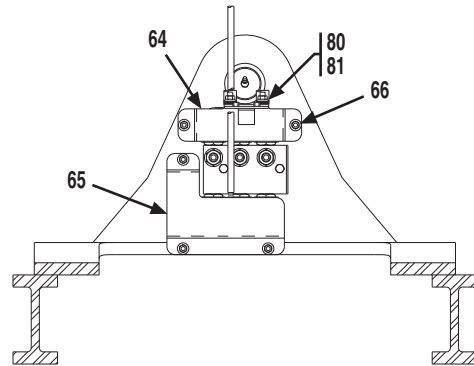
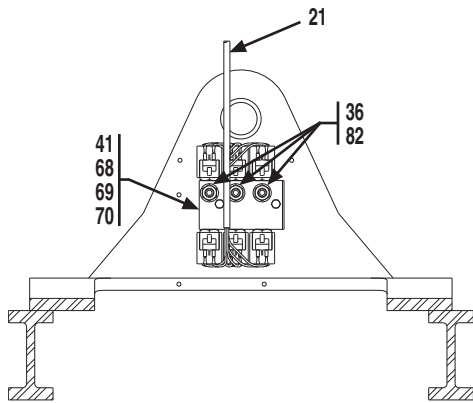
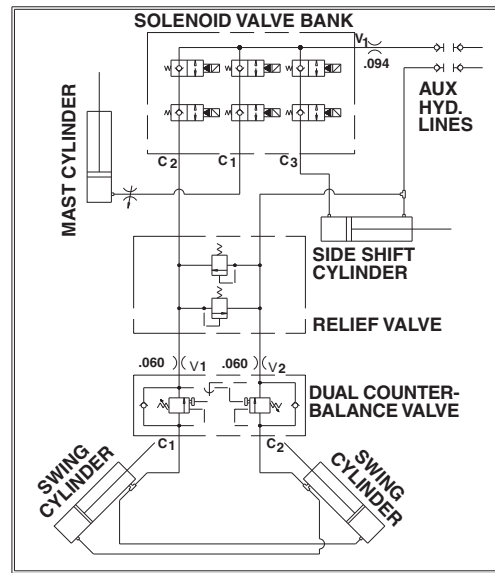


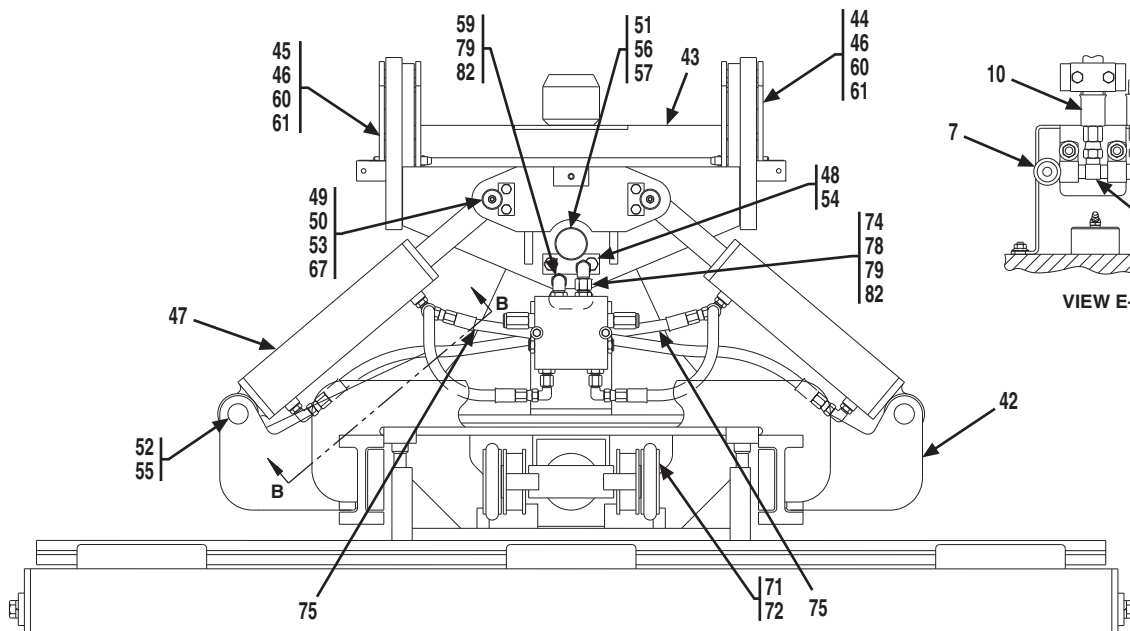
Figure 3-15 100 Degree Swing Carriage With Side Tilt (Continued)



VIEW A-A



HYDRAULIC SCHEMATIC



VIEW E-E

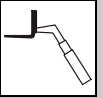


Figure 3-18 Grapple Bucket

Item	Part Number	Qty.	Description	Rev.
	0930020	1	GRAPPLE BUCKET, (includes all items)	G
1	NSS	1	BUCKET	
2	70021391	1	RIGHT GRAPPLE HOOK	
3	70021392	1	LEFT GRAPPLE HOOK	
4	70021358	4	BUSHING	
5	70021359	2	SPACER	
6	70021360	4	BUSHING	
7	7029714	4	GREASE FITTING	
8	70021361	2	OUTER PIVOT PIN	
9	70021362	2	INNER PIVOT PIN	
10		Ref	CYLINDER ASSY, (see Figure 9-21 for details)	
11	70021364	2	PIN	
12	70021365	2	PIN	
13	70021366	4	HEX HD CAPSCREW, 3/8X2-3/4	
	70021367	4	LOCKNUT, 3/8	
14	70021399	4	HEX HD CAPSCREW, 3/8X2-1/4	
	70021367	4	LOCKNUT, 3/8	
15	90554065	4	ELBOW, 90 DEGREE	
16	70021395	2	HOSE ASSY, 3/8X64	
17	70020562	2	TEE FITTING	
18	70021981	2	HOSE ASSY, 3/8X46	
19	70021395	2	HOSE ASSY, 3/8X64	
20	70022527	2	ELBOW, 90 DEGREE	
21	7029692	1	MALE QUICK COUPLER	
22	90554062	1	DUST COVER	
23	70021342	1	FEMALE QUICK COUPLER	
24	90554076	1	DUST COVER	
25	90554016	1	MADE IN USA DECAL	
26	NSS	1	S/N PLATE	
27	90554017	2	DANGER PINCH POINT DECAL	
28	90554018	1	WARNING HIGH PRESSURE DECAL	
29	70021387	4	HOSE CLAMP	

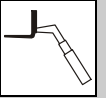
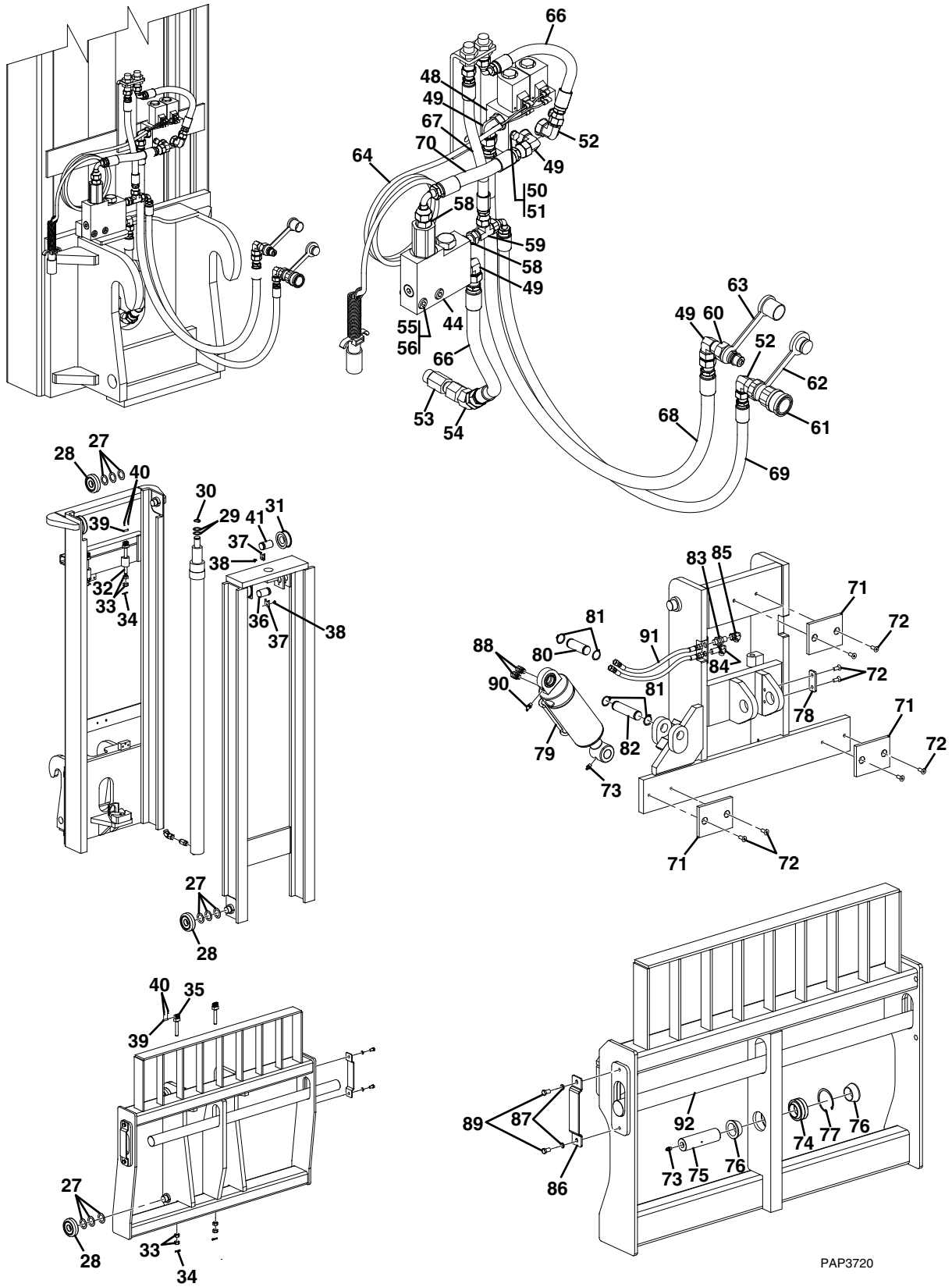


Figure 3-22 8 Foot Side Tilt Electric Mast (Continued)



PAP3720



Figure 4-1 Engine Assembly, LH View (Continued)

Item	Part Number	Qty.	Description	Rev.



Figure 4-2 Engine Assembly, RH View

Item	Part Number	Qty.	Description	Rev.
	91415007	Ref	ENGINE ASSEMBLY, (includes items 1 thru 54 & 63 thru 73 on Figure 4-1 & all items on Figure 4-2)	K
1	91083218	1	FUEL STRAINER	
2	90028660	1	SUPPORT CLAMP	
3	88561003	1	FLAT WASHER, 5/16	
4	86883106	2	HOSE CLAMP	
5		Ref	WIRING HARNESS, (see Figure 10-2 for details)	
6	85941017	1	SUPPORT CLAMP	
7	1001108293	1	ALTERNATOR, (includes item 8)	
8	1001108291	1	REGULATOR	
9		Ref	POSITIVE BATTERY CABLE, (see Figure 10-1 for details)	
10		Ref	NEGATIVE BATTERY CABLE, (see Figure 10-1 for details)	
11	77383377	1	STARTER RELAY	
12	82092118	89 in	FUEL LINE, 5/16 ID	
13	88201066	2	HEX HD CAPSCREW, 1/2-13X1-1/4, GR5, (torque to 68-78 lb-ft)	
14	90027471	2	HARDENED WASHER, 1/2	
15		Ref	HYDRAULIC PUMP, (see Figure 9-9 for details)	
16	84719593	1	HOSE ASSY	
17	88662070	1	ELBOW, 90 DEGREE, (includes item 18)	
18	88591210	1	O-RING	
19	91403454	1	HYDRAULIC TUBE	
20	91083106	4	O-RING	
21	83201135	16	HEX HD CAPSCREW, 7/16-14X1-1/2	
22	88551012	16	LOCKWASHER, 7/16	
23	84712738	8	CLAMP HALF	
24	91403556	1	HYDRAULIC TUBE	
25	91413005	1	HYDRAULIC TUBE	
26	84719163	1	HOSE ASSY	
27	88211068	8	SOCKET HD CAPSCREW, 3/8-16X5/8, GR8, (torque to 40-45 lb-ft)	
28	88551011	8	LOCKWASHER, 3/8	
29	90027906	2	ELBOW, 90 DEGREE	
30	2220371	1	CONNECTOR, (includes item 31)	
31	88591204	1	O-RING	
32		Ref	HYDROSTATIC TRANSMISSION, (see Figure 9-8 for details)	
33	91053020	1	MINI-CHECK, (includes item 34)	
34	91054002	1	VITON O-RING, (lubricate lightly)	
35	88662103	1	ELBOW, 90 DEGREE, (swivel nut)	
36	2220415	1	CONNECTOR, (includes item 37)	
37	88591202	1	O-RING	
38	91083222	1	ELBOW, 90 DEGREE, (swivel nut)	
39	88201112	2	HEX HD CAPSCREW, 3/4-10X2-1/4, GR5, (torque to 240-265 lb-ft)	
40	90027473	2	HARDENED WASHER, 3/4	
41	91163011	1	PUMP MOUNT & COUPLING	
42	83191006	7	HEX HD CAPSCREW, M10X1-1/2X40, (torque to 38-48 lb-ft)	
43	83191013	7	LOCKWASHER, M10	
44	77133089	1	MINI-CHECK, (includes item 45)	
45	83763056	1	VITON O-RING, (lubricate lightly)	
46	91403523	1	SPECIAL FITTING	
47	2220497	1	STRAIGHT THREAD CONNECTOR	



Figure 4-2 Engine Assembly, RH View (Continued)

Item	Part Number	Qty.	Description	Rev.



Figure 4-3 John Deere Engine

Item	Part Number	Qty.	Description	Rev.
	91413145	1	JOHN DEERE ENGINE, 99HP, (includes all items)	B
	91404257	1	GASKET, VALVE COVER	
	91404256	4	PLUG, VALVE COVER	
	91404259	4	O-RING, VALVE COVER PLUG	
	91404258	1	FILLER CAP, VALVE COVER, (includes Packing)	
	91404255	1	PACKING, FILLER CAP	
	91404253	2	GASKET, OIL FILLER	
	91404251	1	SEAL, REAR MAIN	
	91404250	1	FLYWHEEL, (includes Ring Gear)	
	80374031	1	RING GEAR	
	91514256	1	FUEL PUMP	
	7026919	1	GASKET, AIR INLET	
	7026918	1	GASKET, AIR INLET	
	91404242	1	GASKET, OIL PAN	
	80374037	1	O-RING, OIL PUMP INTAKE	
	7026927	1	GASKET, THERMOSTAT COVER	
	7026920	1	THERMOSTAT	
	91404086	1	BELT	
	91404234	4	GASKET, EXHAUST MANIFOLD	
	91404004	1	FUEL FILTER ELEMENT	
	80374054	1	KIT, FUEL FILTER	
	80374050	1	SEAL KIT, FUEL FILTER	
	91404262	1	FUEL PUMP, (includes o-ring)	
	7026923	1	O-RING, FUEL PUMP	
	91404085	1	DIPSTICK	
	91554032	1	DIPSTICK TUBE	
	91404233	1	WATER PUMP	
	91404232	1	GASKET, WATER PUMP	
	91404264	1	GASKET, WATER PUMP	
	70023425	1	SEAL, FRONT MAIN	
	91514260	1	GASKET, FRONT MAIN	
	91514257	1	O-RING, FRONT MAIN COVER	
	91514258	1	OIL PUMP	
	91404220	1	GASKET, CYLINDER HEAD	
	91404229	1	O-RING, WATER PUMP INLET	
	91404224	1	OIL COOLER	
	91404225	1	GASKET, OIL COOLER	
	91404226	1	GASKET, OIL COOLER	
	91514259	1	TURBOCHARGER	
	91404267	1	GASKET, TURBOCHARGER	
	91404265	1	GASKET, TURBOCHARGER	
	91534005	1	OIL FILTER	
	80374036	1	GASKET, OIL FILTER	
	91474506	1	DRAIN PLUG, OIL FILTER HEAD, (includes o-ring)	
	80374020	1	O-RING, DRAIN PLUG	
	91404221	1	BOLT, BELT TENSIONER	
	91404222	1	SCREW, BELT TENSIONER	
	91404223	1	SHEAVE, BELT TENSIONER	
	7026921	1	STARTER	



Figure 4-5 Radiator Assembly

Item	Part Number	Qty.	Description	Rev.
	91405010	1	RADIATOR ASSY, (includes items 1 thru 21)	K
1	91403403	1	AIR DAM	
2	91403142	1	RADIATOR, (includes items 3 & 4)	
3	91404008	1	RADIATOR CAP, 10 PSI	
4	NSS	38 in	OVERFLOW HOSE	
5	91403086	1	OIL COOLER	
6	2220664	1	ELBOW, 90 DEGREE	
7	2220376	1	ADAPTER, (includes item 8)	
8	88591207	1	O-RING	
9	77143003	6	WHIZ-LOCK SCREW, 5/16-18X5/8	
10	88561003	2	FLAT WASHER, 5/16	
11	91033137	2	SHOCK MOUNT	
12	77143006	4	WHIZ-LOCKNUT, 5/16-18	
13	91143348	4	CLAMP BAR	
14	86883327	2	HOSE CLAMP	
15	91403096	1	LOWER RADIATOR HOSE	
16	91406090	1	FAN SHROUD	
17	84521056	1	DRAIN COCK	
18	90200755	38 in	GASKA-TAPE	
19	91123124	4	WHIZ-LOCK SCREW, 5/16-18X1/2	
20	85071128	2	HOSE CLAMP	
21	91403095	1	UPPER RADIATOR HOSE	
22	91401233	1	FAN GUARD	
23	88201017	3	HEX HD CAPSCREW, 5/16-18X5/8, GR5	
24	88551010	3	LOCKWASHER, 5/16	
25	88561108	3	FLAT WASHER, 5/16	
26	83683308	2	SHOCK MOUNT	
27	90205918	2	SPECIAL WASHER	
28	88521206	2	HEX LOCKNUT, 3/8-16	
29	91471108	1	RADIATOR SUPPORT BRACKET	
30	88201036	1	HEX HD CAPSCREW, 3/8-16X1-1/4, GR5	
31	88561004	2	FLAT WASHER, 3/8	
32	90027470	1	HARDENED WASHER, 3/8	
33	88551011	1	LOCKWASHER, 3/8	
34	88501006	1	HEX NUT, 3/8-16	



Figure 4-7 Exhaust Installation

Item	Part Number	Qty.	Description	Rev.
1	91403485	1	EXHAUST TUBE	
2	91403216	1	V-BAND CLAMP	
3	24921332	4	MUFFLER CLAMP	
4	91403601	2	FLEXIBLE TUBE CLAMP	
5	91413030	1	FLEXIBLE TUBING	
6	91403511	1	EXHAUST TUBE	
7	91163035	1	MUFFLER	
8	91403489	1	TAIL PIPE	

Figure 5-3 Carrier Assembly - Rockwell (Continued)

Item	Part Number	Qty.	Description	Rev.

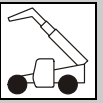


Figure 5-8 Carrier Assembly - Carraro

Item	Part Number	Qty.	Description	Rev.
1	91364046	2	BUSHING	
2	91364047	1	DIFFERENTIAL HOUSING	
3	91364048	10	BOLT, M12X90	
4	91364049	1	PIN	
5	8035180	2	BOLT, M6X10	
6	91474126	2	LOCKING PLATE	
7	91364050	2	BEARING	
8	91474128	2	RING NUT, M104X2	
9	91364051	1	SPIRAL GEAR & PINION, (includes items 19, 20, & 22 thru 25)	
10	91364052	10	DIFFERENTIAL DRIVE DISC	
11	91364053	8	DIFFERENTIAL DISC	
12	NSS	4	GEAR, Z12	
13	91364054	4	THRUST WASHER	
14	91364055	2	SHAFT	
15	NSS	2	GEAR, Z18	
16	91364056	2	DIFFERENTIAL DISC	
17	91364057	AR	SHIM, 2.50mm	
	91364058	AR	SHIM, 2.60mm	
	91364059	AR	SHIM, 2.70mm	
	91364060	AR	SHIM, 2.80mm	
	91364061	AR	SHIM, 2.90mm	
	91364062	AR	SHIM, 3.00mm	
	91364063	AR	SHIM, 3.10mm	
	91364064	AR	SHIM, 3.20mm	
	91364065	AR	SHIM, 3.30mm	
	91364066	AR	SHIM, 3.40mm	
18	91364067	1	BEARING	
19	91364068	2	WASHER	
20	91364069	1	SPACER	
21	91364070	1	BEARING	
22	91364071	1	LOCKWASHER	
23	91364072	1	RING NUT, M45X1-1/2	
24	91474115	1	WASHER	
25	91474116	1	O-RING	
26	91364073	1	COUPLER	
27	91364074	1	SEAL RING	
28	91364075	1	O-RING	
29	91364076	8	BOLT, M12X60	
30	91364077	1	FLANGE	
31	91364078	1	PIN, 12X25	
32	91364079	2	SEAL RING	
33	91364080	4	BEARING	
34	91364081	20	BOLT	
35	91364082	2	WHEEL HUB KIT, (includes wheel hub & item 34)	
36	91474155	2	O-RING	
37	91364083	2	SPACER	
38	91364084	2	RING NUT, M130X2	
39	91474157	2	RING	
40	91364085	2	RING GEAR CARRIER	

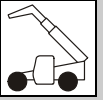


Figure 5-11 Rear Axle Drive Hub

Item	Part Number	Qty.	Description	Rev.
	91403588	1	REAR DRIVE HUB, (includes all items)	
1	7000297	2	RETAINING RING	
2	91414001	1	COUPLING	
3	91414002	1	INPUT SHAFT	
4	91414003	1	SPINDLE	
5	91414004	1	BOOT SEAL	
6	91414005	1	OIL SEAL	
8	91414007	1	BEARING CUP & CONE KIT	
9	91404435	10	WHEEL BOLT	
10	91404436	1	HUB	
11	91414009	1	BEARING CUP & CONE KIT	
13	91414011	1	THRUST WASHER	
14	91414012	1	LOCKWASHER	
15	91414013	1	BEARING NUT	
16	91414014	1	THRUST WASHER	
17	91414015	1	O-RING	
18	7017047	2	DOWEL PIN	
19	7024167	1	RING GEAR	
20	70021141	1	SECONDARY CARRIER SUB-ASSY, (includes item 16)	
21	70021146	1	PRIMARY CARRIER SUB-ASSY, (includes items 22 & 23)	
22	91414019	1	PRIMARY SUN GEAR	
23	91414020	1	RETAINING RING	
24	91414021	1	THRUST WASHER	
25	91414022	1	THRUST WASHER	
26	7024177	1	O-RING	
27	91414024	1	COVER	
28	7017094	3	MAGNETIC PIPE PLUG	
29	91414026	20	HEX HD BOLT	
30	91414027	1	RETAINING RING	

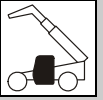


Figure 6-1 Open Cab

Item	Part Number	Qty.	Description	Rev.
	91403076	1	OPEN CAB ASSY, (includes all items)	W
1	91404108	1	CAB WELDMENT	
2	91404109	1	RH SIDE WINDOW WITH BORDER	
3	80364009	AR	URETHANE SEALANT	
4	91404110	1	REAR WINDOW WITH BORDER	
5	80264031	7	SETTING BLOCK, 1/8X1/4X2	
6	NSS	1	SERIAL TAG	
7	91164094	1	ROPS WARNING DECAL	
8	91164087	1	HOLE PLUG, 3/4	
9	91164086	3	HOLE PLUG, 3/8	



Figure 6-4 Cab Enclosure

Item	Part Number	Qty.	Description	Rev.
	91403084	1	CAB ENCLOSURE, (includes all items on Figures 6-2 thru 6-4)	
1	91413142	1	SKYLIGHT WINDOW	
2	91404109	1	RH SIDE WINDOW WITH BORDER	
3	91404110	1	REAR WINDOW WITH BORDER	
4	80364030	1	LH SIDE DOOR WINDOW	
5	91404322	1	UPPER DOOR GLASS	
6	91404291	1	FRONT WINDOW	
7	80364009	AR	SEALANT	
8	91404302	AR	ACTIVATOR	
9	91404296	2	HOLE PLUG, 1-1/4	
10	80364012	AR	CLEAR SEALANT	

SECTION 7 CONTROLS

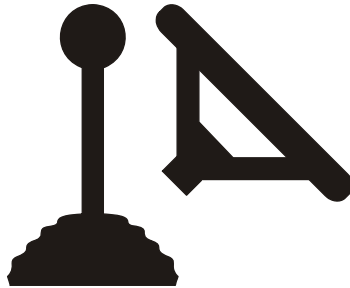




Figure 7-3 Steering Column & Attaching Parts

Item	Part Number	Qty.	Description	Rev.
	91405013	1	STEERING CONTROL ASSY, (includes items 11, 16, 17, 18 & 20 & two of item 15)	E
1	7026477	1	HORN CAP	
2	70020923	1	STEERING WHEEL NUT, (torque to 29-34 lb-ft)	
3	91475048	Ref	STEERING WHEEL ASSY, (not available to order, see items 4 & 5 for service)	B
4	91563208	1	STEERING WHEEL, (includes items 1 & 22)	F
5	91413016	1	SPINNER KNOB, (includes items 6 & 7)	
6	91414028	1	LOCKWASHER, 1/2	
7	91414029	1	HEX NUT, 1/2-13	
8	91363025	1	F-N-R SHIFTER, (includes item 10)	
9	83191059	2	HEX HD CAPSCREW, M5X0.8, (torque to 30-35 lb-ft)	
10	91144458	1	CLAMP SET	
11	91403578	1	STEERING COLUMN	
12		Ref	INSTRUMENT PANEL HARNESS, (see Figure 6-7 for details)	
13	86683122	2	TIE WRAP	
14	88201035	2	HEX HD CAPSCREW, 3/8-16X1, GR5	
15	88551011	4	LOCKWASHER, 3/8	
16	88201033	2	HEX HD CAPSCREW, 3/8-16X3/4, GR5	
17	91123126	1	STEERING CONTROL UNIT	
18	2220466	1	ELBOW, 90 DEGREE, (includes item 19)	
19	NSS	1	O-RING	
20	2220373	4	ADAPTER, (includes item 21)	
21	NSS	4	O-RING	
22	7026478	1	SPINNER KNOB	
K1	91144448	1	TIE STRAP & BOOT KIT	
K2	91144190	1	STEERING CONTROL UNIT SEAL KIT	



Figure 7-7 Joystick Assembly

Item	Part Number	Qty.	Description	Rev.
	91403178	1	JOYSTICK ASSY, (if equipped), (includes all items)	G
1	91404207	1	HOUSING	
2	91404088	1	RESTRICTOR PLATE	
3	91404089	4	SELF-TAPPING SCREW, #10X3/4	
4	91404208	1	INPUT LEVER ASSY	
5	91404091	1	KNOB	
6	8160419	1	BOOT	
7	91404093	1	HOUSING, (outer)	
8	91404094	6	HEX HD CAPSCREW	
9	91404095	12	FLAT WASHER	
10	91404096	1	CABLE ANCHOR, (inner)	
11	91404097	2	CABLE LOCK SCREW	
12	91404098	2	CABLE BUSHING	
13	91404099	2	RETAINING RING	
14	91404100	2	RETAINING RING	
15	91404101	1	CABLE ANCHOR, (outer)	
16	91404102	4	BUSHING	
17	91404103	2	SPRING	
18	91404209	2	SLIDER ASSY	
19	91404105	6	HEX NUT, 1/4-20	
20	91404106	6	LOCK WASHER	
21	91404107	1	HOUSING, (inner)	
22	91404210	1	JAM NUT	

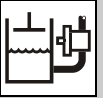


Figure 8-2 Dump Circuit (Continued)

Item	Part Number	Qty.	Description	Rev.

CLICK HERE TO **DOWNLOAD** THE COMPLETE MANUAL

- Thank you very much for reading the preview of the manual.
- You can download the complete manual from: www.heydownloads.com by clicking the link below



- Please note: If there is no response to CLICKING the link, please download this PDF first and then click on it.

CLICK HERE TO **DOWNLOAD** THE COMPLETE MANUAL

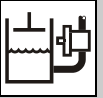


Figure 8-6 Service/Parking Brake

Item	Part Number	Qty.	Description	Rev.
1		Ref	BYPASS VALVE, (see Figure 9-18 for details)	
2	2220465	1	ADAPTER, 90 DEGREE, (includes item 3)	
3	88591209	1	O-RING	
4	84719591	1	HOSE ASSY	
5		Ref	ELBOW, 90 DEGREE, (see Section 4 for details)	
6		Ref	HYDRAULIC PUMP, (see Figure 9-9 for details)	
7		Ref	FITTING, (see Section 4 for details)	
8		Ref	TRACTION LOCK VALVE, (see Figure 9-14 for details)	
9	84719424	1	HOSE ASSY	
10	84719546	1	HOSE ASSY	
11		Ref	BRAKE VALVE, (see Figure 9-16 for details)	
12	84719544	1	HOSE ASSY	
13		Ref	INCHING VALVE, (see Figure 9-15 for details)	
14	84717854	1	HOSE ASSY	
15		Ref	SOLENOID VALVE, (see Figure 9-20 for details)	
16	88201008	4	HEX HD CAPSCREW, 1/4-20X1-3/4, GR5	
17	88551009	4	LOCKWASHER, 1/4	
18	88561107	4	FLAT WASHER, 1/4	
19	2220371	1	CONNECTOR, (includes item 20)	
20	88591204	2	O-RING	
21	2220606	1	RUN TEE, (includes item 20)	
22		Ref	HOSE ASSY, (service brake), (see Section 5 for details)	
23	91413132	1	RELIEF VALVE	
24	2220596	1	ADAPTER, 90 DEGREE, (includes item 25)	
25	88591205	1	O-RING	
26	2220385	1	SWIVEL NUT RUN TEE, 1/2, TUBE	
27	2220683	1	ADAPTER, 45 DEGREE, (swivel nut)	
28	84719592	1	HOSE ASSY	
29	77323029	2	HOSE CLAMP	
30	77133137	2	COVER PLATE	
31	88201023	2	HEX HD CAPSCREW, 5/16-18X1-3/4, GR5	
32		Ref	HOSE ASSY, (park brake), (see Section 5 for details)	

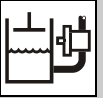


Figure 8-10 Tilt & Compensating Cylinder

Item	Part Number	Qty.	Description	Rev.
1		Ref	MAIN CONTROL VALVE, (see Figure 9-7 for details)	
2	2220374	2	ADAPTER, (includes item 3)	
3		2	O-RING	
4	8765204	1	ELBOW, 90 DEGREE, (swivel nut)	
5	91403548	1	HYDRAULIC TUBE	
6	91403547	1	HYDRAULIC TUBE	
7	88201012	2	HEX HD CAPSCREW, 1/4-20X2-3/4, GR5	
8	77133498	1	COVER PLATE	
9	91033138	2	CLAMP	
10	84719433	1	HOSE ASSY	
11	84719225	1	HOSE ASSY	
12	2220385	2	SWIVEL NUT RUN TEE, 1/2, TUBE	
13	2220596	1	ELBOW, 90 DEGREE, (includes item 14)	
14	88591205	2	O-RING	
16	1001102662	1	HOSE ASSY	
17	1001102663	1	HOSE ASSY	
18	91083216	2	CLAMP	
19	1001001332	2	TUBE ASSY	
21		Ref	COMPENSATING CYLINDER, (see Figure 9-4 for details)	
22	77133140	3	COVER PLATE	
23	77133168	3	CLAMP SET	
24	0641511	3	HEX HD CAPSCREW, 5/16X1-3/8	
25	2221253	2	ELBOW, 90 DEGREE	
26	2171206	2	BULKHEAD FITTING, 90 DEGREE	
27	1001090364	1	HOSE BRACKET	
28	0641607	2	HEX HD CAPSCREW, 3/8-16X1-1/4, GR5	
29	4711600	2	FLAT WASHER, 3/8	
30	1001112207	2	HOSE ASSY	
31	0903293	1	HOSE RETAINER	
32	4761600	2	LOCKWASHER, 3/8	
33	88501006	2	HEX NUT, 3/8-16	
34	2171106	2	BULKHEAD UNION, 9/16-18X3/8, TUBE	
35	1001101617	2	HOSE ASSY	
36	2130610	2	ELBOW, 90 DEGREE	
37		Ref	TILT CYLINDER, (see Figure 9-3 for details)	
38	2220474	1	ELBOW, 90 DEGREE	
39	86683122	6	TIE WRAP	
40	88661002	2	MALE CONNECTOR, 1/8X3/16, TUBE	
101	88561007	2	FLAT WASHER, 1/2	



Figure 9-1 Lift Cylinder

Item	Part Number	Qty.	Description	Rev.
	91403009	1	LIFT CYLINDER, (includes all items except items 13 thru 15 & 29 thru 31)	H
1	91144128	4	GREASE FITTING	
2	91404132	4	CAPSCREW, (torque to 10-12 lb-ft)	
3	91404152	4	LOCKWASHER	
4	91404138	1	VALVE BLOCK, (includes item 28)	
5	91404133	1	CASE ASSY	
6	91404137	1	BOLT PLATE	
7	Use Kit K1	2	WEAR RING	
8	91404136	1	SPLIT RING	
9	Use Kit K1	1	PISTON SEAL	
10	91404134	1	PISTON	
11	Use Kit K1	2	BACK-UP RING	
12	Use Kit K1	1	O-RING	
13	1001101703	1	PIN	
14	4891800	2	HARD WASHER, 1/2	
15	88201066	1	HEX HD CAPSCREW, 1/2-13X1-1/4, GR5, (torque to 100 lb-ft)	
16	91404139	1	SHAFT ASSY	
17	91124096	1	SET SCREW, (torque to 11 lb-ft)	
18	Use Kit K1	1	CANNED WIPER	
19	91404135	1	HEAD, (torque to 100 lb-ft)	
20	Use Kit K1	1	O-RING	
21	Use Kit K1	1	ROD SEAL	
22	Use Kit K1	1	WEAR RING	
23	Use Kit K1	1	STEP SEAL	
24	Use Kit K1	1	U-CUP	
25	91404131	8	WASHER	
26	91404151	8	CAPSCREW, (see service note for torque specifications)	
27	91404288	4	BUSHING	
28	1001109225	1	VALVE, (torque to 44 lb-ft)	
	91404382	1	SEAL KIT	
29	91473233	1	PIN	
30	91471240	1	KEEPER PLATE	
31	0681810	1	HEX HD CAPSCREW, 1/2-13X1-1/4, GR8, (torque to 100-110 lb-ft)	
K1	91404140	1	SEAL KIT, (includes items 7, 9, 11, 12, 18 & 20 thru 24)	

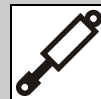


Figure 9-3 Tilt Cylinder - Iowa

Item	Part Number	Qty.	Description	Rev.
	91403008	1	TILT CYLINDER, (includes all items except items 20 thru 24)	J
1	1001109225	1	VALVE, (torque to 45-50 lb-ft)	
	91404382	1	SEAL KIT	
2	91034267	1	LOCKNUT, (torque to 1250-1300 lb-ft)	
3	Use Kit K1	2	WEAR RING	
4	Use Kit K1	1	PISTON SEAL	
5	91404153	1	PISTON	
6	Use Kit K1	1	O-RING	
7	91144128	3	GREASE FITTING	
8	91404156	1	SHAFT ASSY	
9	91124096	1	SET SCREW, (torque to 11 lb-ft)	
10	Use Kit K1	1	CANNED WIPER	
11	91404154	1	HEAD, (torque to 200 lb-ft)	
12	Use Kit K1	1	O-RING	
13	Use Kit K1	1	U-CUP SEAL	
14	Use Kit K1	1	STEP SEAL	
15	Use Kit K1	1	WEAR RING	
16	Use Kit K1	1	BACK-UP RING	
17	Use Kit K1	1	U-CUP	
18	91084372	1	RETAINING RING	
19	91404155	1	CASE ASSY	
20	88201064	2	HEX HD CAPSCREW, 1/2-13X7/8, GR5	
21	88551013	2	LOCKWASHER, 1/2	
22	88561111	2	WASHER, 1/2	
23	91401189	1	KEEPER	
24	91403021	1	TILT CYLINDER PIN	
25	91404286	2	BUSHING, (manganese phosphate coating)	
26	91404287	1	BUSHING, (manganese phosphate coating)	
K1	91404157	1	SEAL KIT, (includes items 3, 4, 6, 10 & 12 thru 17)	

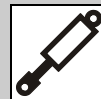


Figure 9-5 Sway Cylinder - Iowa

Item	Part Number	Qty.	Description	Rev.
	91403054	1	SWAY CYLINDER, (includes all items except 16, 17 & 18)	F
1	91404168	1	CASE ASSY	
2	91144038	1	LOCKNUT, (torque to 550-600 lb-ft)	
3	Use Kit K1	2	WEAR RING	
4	Use Kit K1	1	PISTON SEAL	
5	91404171	1	PISTON	
6	Use Kit K1	1	O-RING	
7	91144128	3	GREASE FITTING	
8	91404170	1	SHAFT ASSY	
9	91124096	1	SET SCREW, (torque to 11 lb-ft)	
10	Use Kit K1	1	CANNED WIPER	
11	91404169	1	HEAD, (torque to 100 lb-ft)	
12	91404176	1	O-RING	
13	Use Kit K1	1	U-CUP SEAL	
14	Use Kit K1	1	STEP SEAL	
15	Use Kit K1	1	BACK-UP RING	
16	91403225	1	SWAY PIN	
17	90028935	4	RETAINING RING	
18	91403226	1	SWAY CYLINDER PIN	
19	91404352	3	BUSHING	
K1	91404172	1	SEAL KIT, (includes items 3, 4, 6, 10 & 13 thru 15)	

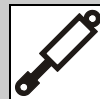


Figure 9-7 Main Control Valve (Continued)

Item	Part Number	Qty.	Description	Rev.



Figure 9-10 Front Drive Motor

Item	Part Number	Qty.	Description	Rev.
	91403449	Ref	FRONT DRIVE MOTOR, (includes all items)	C
1	91404040	1	SNAP RING	
2	Use Kit K1	1	SHIM	
3	Use Kit K1	1	SHAFT SEAL	
4	91404041	1	HOUSING	
5	Use Kit K1	1	PLUG, 7/8-14	
6	Use Kit K1	1	PLUG, 11/16-12	
7	91404042	1	STOP SCREW	
8	Use Kit K1	2	SEAL NUT, M12	
9	91404043	1	STOP SCREW	
10	91404044	1	ROTARY GROUP	
11	Use Kit K1	1	O-RING	
12	91404045	1	CONTROL ASSY, (includes items 15, 18 & 20 thru 25)	
13	91144248	2	FITTING	
14	91404046	4	CAPSCREW, M8X50	
15	91094033	1	DA1 CONTROL, (includes items 13, 14, 16 & 17)	
16	91404047	1	SLIDER	
17	Use Kit K1	1	O-RING	
18	91404048	8	CAPSCREW, M16X45	
19	Use Kit K1	1	O-RING	
20	91404049	1	STROKING PISTON	
21	Use Kit K1	3	SQUARE RING	
22	91404050	1	PISTON	
23	91404051	1	THREADED PIN	
24	91404052	1	CAPSCREW, M14X1-1/2	
25	91404053	1	FLUSHING VALVE, (includes items 19 & 26 thru 30)	
26	91404054	4	CAPSCREW, M12X50	
27	91404055	1	ORIFICE SEAT, (inner)	
28	91404056	1	SHUTTLE ORIFICE	
29	91404057	1	ORIFICE SEAT, (outer)	
30	Use Kit K1	1	PLUG, M14X1	
K1	7028820	1	SEAL KIT, (includes items 2, 3, 5, 6, 8, 11, 17, 19, 21, 30 & additional items not illustrated)	



Figure 9-15 Inching Valve

Item	Part Number	Qty.	Description	Rev.
	91143372	1	INCHING VALVE, (Before S/N 0160003213) , (includes all items)	B
	91413141	1	INCHING VALVE, (S/N 0160003213 & After) , (includes all items except 1, 2 & 5)	C
1	91144460	1	INCHING DEVICE, (includes all items except one of item 6)	
2	70022051	1	O-RING	
3	91144462	1	SHAFT	
4	91144463	1	CAPSCREW, M5X20	
5	91144464	1	LEVER	
6	91144465	3	PIN	
7	91144466	2	CAPSCREW, M8X30	
8	80934671	1	O-RING	
9	91144461	1	SHIM	
10	91144467	1	SNAP RING	



Figure 9-19 Sway Cylinder Valve

Item	Part Number	Qty.	Description	Rev.
	91403180	1	SWAY CYLINDER VALVE, (includes all items)	E
1	91404216	2	VALVE CARTRIDGE	
2	91404215	2	O-RING	
3	91404217	1	PISTON	
4	91404218	1	VALVE BODY	

HYDRAULIC COMPONENTS



Figure 9-23 72 Inch 90 Degree Swing Carriage Cylinder

Item	Part Number	Qty.	Description	Rev.
	1001103182	1	SWING CARRIAGE CYLINDER, (includes items 1 thru 22)	B
1	70022044	1	TUBE ASSY	
2	8035863	1	PISTON	
3	8035862	1	HEAD GLAND	
4	70022045	1	ROD ASSY	
5	70022046	1	BEARING	
6	8035536	2	SET SCREW, 5/16-18X1/2	
7	70020428	1	RELIEF VALVE, (preset to 2000 psi)	
	7024574	1	SEAL KIT	
8	8033786	1	COUNTERBALANCE VALVE, (preset to 3000 psi)	
	8205655	1	SEAL KIT	
9	70021812	1	TAMPERPROOF CAP	
11	Use Kit K1	1	O-RING	
12	Use Kit K1	1	O-RING	
13	Use Kit K1	1	O-RING	
14	Use Kit K1	1	SQUARE RING	
15	Use Kit K1	1	BACK-UP RING	
16	Use Kit K1	1	SEAL	
17	Use Kit K1	1	PISTON SEAL	
18	Use Kit K1	1	ROD WIPER	
19	Use Kit K1	2	WEAR BAND	
20	Use Kit K1	1	WEAR BAND	
21	Use Kit K1	2	INSERT	
22	Use Kit K1	2	INSERT	
K1	2915023	1	SEAL KIT, (includes items 11 thru 22)	



Figure 10-2 Engine Harness

Item	Part Number	Qty.	Description	Rev.
	91413146	1	ENGINE HARNESS, (S/N 0160006706 thru 0160018158), (includes items 1 thru 16)	B
	4923400	1	ENGINE HARNESS, (S/N 01600018163 & After), (includes all items)	A
1	91474463	2	90 DEGREE STRAIN RELIEF	
2	80963057	3	WEATHER PACK CONNECTOR	
3	80963068	4	FEMALE PIN TERMINAL	
4	91364009	5	CABLE SEAL	
5	80963060	1	WEATHER PACK CONNECTOR	
6	80963069	1	MALE PIN TERMINAL	
7	4460459	1	WEATHER PACK CONNECTOR	
8	91363021	3	MOLDED DIODE	
9	91083440	1	SOLENOID CONNECTOR	
10	91554011	1	PLUG	
11	83683254	1	3 CONTACT PLUG	
12	90026803	1	CONNECTOR	
13	91364010	1	PLUG CONNECTOR	
14	83481286	2	PANEL NUT	
15	83481285	2	PANEL LOCKWASHER	
16	91404337	1	PLUG CONNECTOR	
101	1001117021	1	CONNECTOR	
102	8220890	1	LOCK	
103	4460746	2	TERMINAL	
104	4460789	1	SEAL	

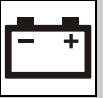


Figure 10-7 Cab Road Lights Harness

Item	Part Number	Qty.	Description	Rev.
	1001090509	1	CAB ROAD LIGHTS HARNESS, (if equipped), (includes all items)	C
1	4460851	1	CONNECTOR	
	80604025	1	WEDGE LOCK	
2	4461157	1	CONNECTOR	
3	4460475	2	TERMINAL	
4	8220081	1	SEAL	
5	1001117058	1	CONNECTOR	
6	4460419	2	TERMINAL	
7	1001117018	1	CONNECTOR, (includes 15 amp fuse)	
8	1001116733	2	TERMINAL	
9	7029771	1	COVER	
10	4460934	1	CONNECTOR	
	80604016	1	WEDGE LOCK	
11	1001117079	1	CONNECTOR	
12	1001118384	7	TERMINAL	
13	NSS	1	1/4 SPADE TERMINAL	
14	NSS	3	1/4 FEMALE TERMINAL	



Figure 11-1 Cab & Frame Decals (Continued)

Item	Part Number	Qty.	Description	Rev.
K1	91415021	1	DECAL KIT, (S/N 0160006618 & After), (includes items 1 thru 9, 11 thru 14, 16 thru 27 & items 2 thru 9 on Figure 11-2)	H
K2	91415042	1	DECAL KIT, (Spanish)	
K3	91415041	1	DECAL KIT, (Portuguese)	
K4	91475104	1	NATIONS RENT DECAL KIT	
K5	91515073	1	NES DECAL KIT	
K6	91475063	1	SUN BELT RENTALS DECAL KIT	
K7	91415071	1	UNITED RENTALS DECAL KIT	
K8	91515074	1	H & E RENTALS DECAL KIT	
K9	1001094592	1	RSC DECAL KIT	
K10	91555029	1	CORPORATE LOGOS DECAL KIT	



Figure 12-1 Turbo Option

Item	Part Number	Qty.	Description	Rev.
	91415011	1	TURBO OPTION, (includes all items)	1
1		Ref	TURBO ENGINE ASSY, (see Figure 12-2 thru 12-4 for details)	
2		Ref	TURBO RADIATOR ASSY, (see Figure 12-5 for details)	
3		Ref	TURBO EXHAUST & ATTACHING PARTS, (see Figure 12-7 for details)	
4	91343016	1	CAUTION DECAL	
5		Ref	TURBO AIR CLEANER & ATTACHING PARTS, (see Figure 12-6 for details)	



Figure 12-3 Turbo Engine Assembly, RH View

Item	Part Number	Qty.	Description	Rev.
	91415012	Ref	TURBO ENGINE ASSY, (includes items 1 thru 50, 60, 61, 62 & 69 thru 71 on Figure 12-2 & all items on Figure 12-3)	
1	91163011	1	PUMP MOUNT & COUPLING	
2		Ref	HYDROSTATIC TRANSMISSION, (see Figure 9-8 for details)	
3	88211068	8	SOCKET HD CAPSCREW, 3/8-16X5/8, GR8, (torque to 40-45 lb-ft)	
4	88551011	8	LOCKWASHER, 3/8	
5	83191006	7	HEX HD CAPSCREW, M10X1-1/2X40, (torque to 38-48 lb-ft)	
6	83191013	7	LOCKWASHER, M10	
7	88201112	2	HEX HD CAPSCREW, 3/4-10X2-1/4, GR5, (torque to 240-265 lb-ft)	
8	90027473	2	HARDENED WASHER, 3/4	
9	91403454	1	HYDRAULIC TUBE	
10	91083106	4	O-RING	
11	88662070	1	ELBOW, 90 DEGREE, (includes item 12)	
12	88591210	1	O-RING	
13	84719593	1	HOSE ASSY	
14	91403556	1	HYDRAULIC TUBE	
15	91413005	1	HYDRAULIC TUBE	
16	83201135	16	HEX HD CAPSCREW, 7/16-14X1-1/2	
17	88551012	16	LOCKWASHER, 7/16	
18	84712738	8	CLAMP HALF	
19	91403457	1	WIRING HARNESS	
20		Ref	POSITIVE BATTERY CABLE, (see Figure 10-1 for details)	
21		Ref	NEGATIVE BATTERY CABLE, (see Figure 10-1 for details)	
22	77383377	1	STARTER RELAY	
23	85941017	1	SUPPORT CLAMP	
24	91343222	1	ALTERNATOR, (includes item 25)	
25	91083504	1	REGULATOR	
26	24431386	1	SUPPORT CLAMP	
27		Ref	HYDRAULIC PUMP, (see Figure 9-9 for details)	
28	88201066	2	HEX HD CAPSCREW, 1/2-13X1-1/4, GR5, (torque to 68-78 lb-ft)	
29	90027471	2	HARDENED WASHER, 1/2	
30	91083218	1	FUEL STRAINER	
31	82092118	89 in	FUEL LINE	
32	90028660	1	SUPPORT CLAMP	
33	84719163	1	HOSE ASSY	
34	88561003	1	FLAT WASHER, 5/16	
35	86883106	2	HOSE CLAMP	
36	91053020	1	MINI-CHECK, (includes item 37)	
37	91054002	1	VITON O-RING, (lubricate lightly)	
38	91083222	1	ELBOW, 90 DEGREE, (swivel nut)	
39	88662103	1	ELBOW, 90 DEGREE, (swivel nut)	
40	2220371	1	CONNECTOR, (includes item 41)	
41	88591204	1	O-RING	
42	90027906	2	ELBOW, 90 DEGREE	
43	2220415	1	CONNECTOR, (includes item 44)	
44	88591202	1	O-RING	
45		Ref	TRACTION LOCK VALVE, (see Figure 9-14 for details)	
46	91406112	1	FLOW DIVIDER BRACKET	
47	88201065	2	HEX HD CAPSCREW, 1/2-13X1, GR5	

S/N 0189001 thru 0189345 &
0160000230 thru 0160003058
excluding 0160002657

OPTIONS



Figure 12-4 John Deere Turbo Engine (Continued)

Item	Part Number	Qty.	Description	Rev.



Figure 12-8 Heater Option Assembly (Continued)

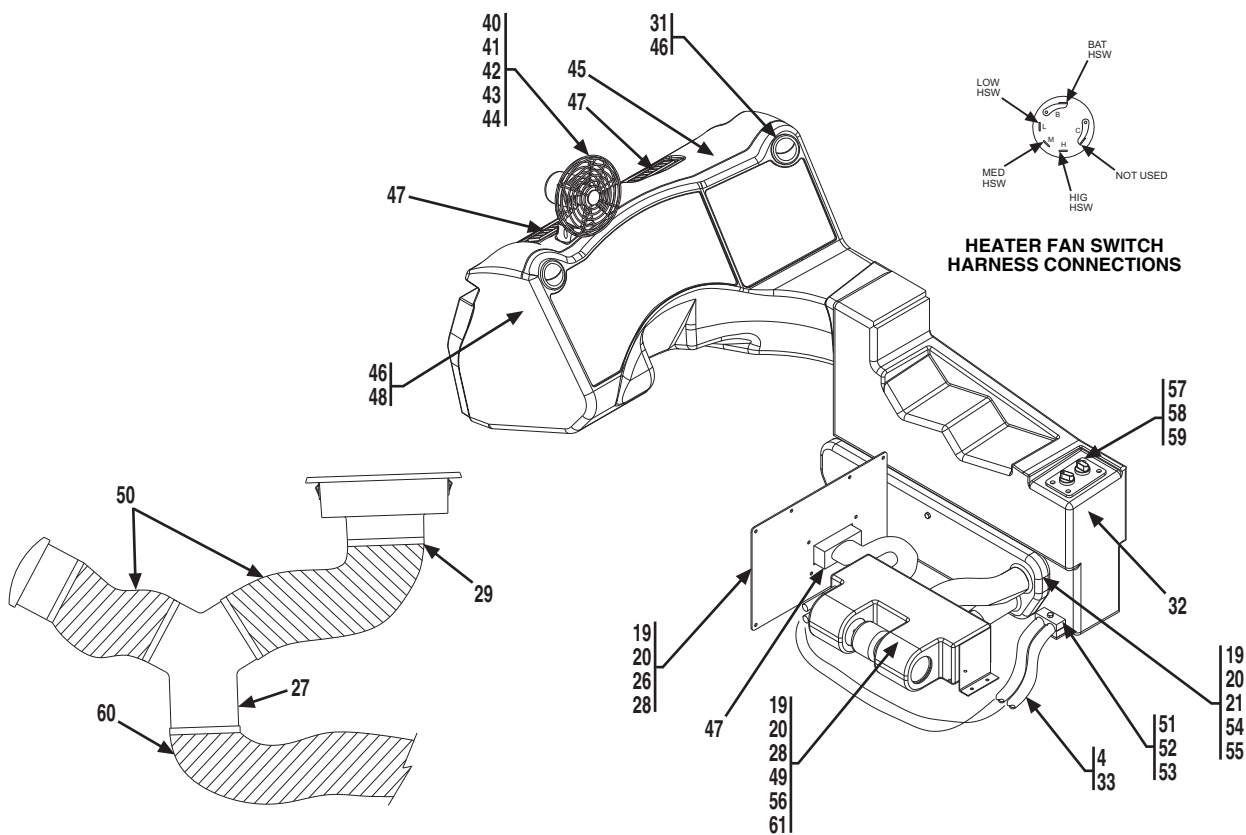




Figure 12-10 Work Light Package (Continued)

Item	Part Number	Qty.	Description	Rev.
49	14404173	AR	SILICON SEALANT, (not shown)	



Figure 12-15 Beacon Light Package

Item	Part Number	Qty.	Description	Rev.
	91415036	1	BEACON LIGHT PACKAGE, (includes all items)	D
1	91343031	1	ROTATING BEACON, (includes item 21)	
2	91511206	1	BEACON BRACKET	
3	90027214	1	RUBBER GROMMET	
4	88301093	3	ROUND HD MACHINE SCREW, #10-24X3/4	
5	88551007	3	LOCKWASHER, #10	
6	88501612	3	HEX NUT, #10-24	
7	88201005	2	HEX HD CAPSCREW, 1/4-20X1-1/4, GR5	
8	88561002	2	FLAT WASHER, 1/4	
9	88551009	2	LOCKWASHER, 1/4	
10	88501004	2	HEX NUT, 1/4-20	
11	90029955	1	RUBBER GROMMET	
12	80963058	1	WEATHER PACK CONNECTOR, (shroud)	
13	80963069	2	WEATHER PACK CONNECTOR, (male pin terminal)	
14	80963065	2	WEATHER PACK CONNECTOR, (cable seal)	
15	8096D097	79 in	ECONOMY WIRING DUCT	
16	91413044	1	BEACON HARNESS	
17	91403304	1	TOGGLE SWITCH-SPST	
18	77363268	1	FUSE, 15 AMP	
19	77363265	1	RELAY	
20	91413045	1	BEACON DECAL	
21	91344053	1	BULB	

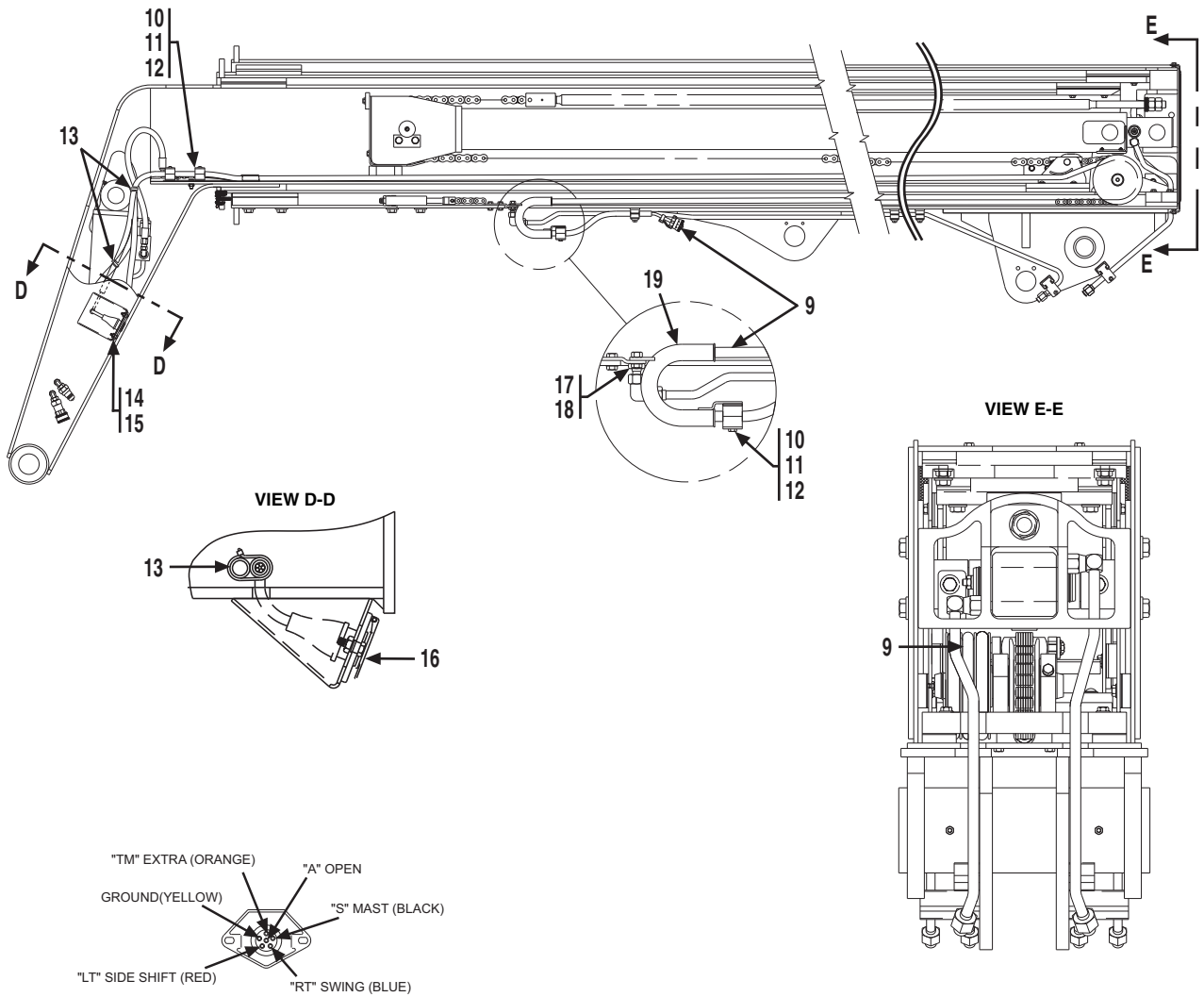


Figure 12-19 RH Tilt & Sway Assembly

Item	Part Number	Qty.	Description	Rev.
	91405015	1	RH TILT & SWAY ASSY, (includes all items)	E
1	91403178	1	RH CONTROLLER JOYSTICK	
2	91403324	1	BLANK DASH PANEL	
3	88201020	3	HEX HD CAPSCREW, 5/16-18X1, GR5, (Before S/N 0160001921)	
	88201018	3	HEX HD CAPSCREW, 5/16-18X3/4, GR5, (S/N 0160001921 & After)	
4	88551010	3	LOCKWASHER, 5/16	
5	88241026	8	SOCKET FLAT HEAD CAPSCREW, #10-24X1-1/4, (Before S/N 0160000880)	
	80363033	8	SOCKET FLAT HEAD CAPSCREW, #10-24X1, (S/N 0160000885 & After)	
6	91403326	1	RH TILT-SWAY PANEL, (Before S/N 0160000880)	
	91413111	1	RH TILT-SWAY PANEL, (S/N 0160000885 & After)	
7	91403308	2	TILT-SWAY CABLE	
8	91416013	1	RH CONTROL BRACKET	
9	88201005	4	HEX HD CAPSCREW, 1/4-20X1, GR5	
10	88501004	4	HEX NUT, 1/4-20, (Before S/N 0160001921)	
	91416017	4	PLATE WELD, (S/N 0160001921 & After)	
11	80363034	8	TINNERMAN NUT	



Figure 12-23 Auxiliary Electrics Assembly (Continued)



6 CONTACT SOCKET (ON BOOM HEAD)

PLUG CONNECTOR WIRE CHART		
CONN. BODY LETTER	WIRE COLOR	WIRE DESIGNATION
A	BLACK	MAST
B	RED	SIDESHIFT
C	YELLOW	GND 85
D	BLUE	SWING
E	ORANGE	EXTRA
F	NO CONN.	NO CONN.



Figure 12-24 Main Control Valve With Auxiliary Hydraulics (Continued)

Item	Part Number	Qty.	Description	Rev.



Figure 12-27 Swing Cylinder

Item	Part Number	Qty.	Description	Rev.
	91403322	1	SWING CYLINDER, (includes all items)	A
1	91144125	1	GREASE FITTING	
2	91034156	1	LOCKNUT	
3	Use Kit K1	2	WEAR RING	
4	Use Kit K1	1	PISTON SEAL	
5	91404370	1	PISTON	
6	Use Kit K1	1	O-RING	
7	91404371	1	CASE ASSY	
8	91404372	1	SHAFT ASSY	
9	91404373	1	HEAD	
10	Use Kit K1	1	O-RING	
11	Use Kit K1	1	BACK-UP RING	
12	Use Kit K1	1	STEP SEAL	
13	Use Kit K1	1	U-CUP	
14	Use Kit K1	1	O-RING	
15	Use Kit K1	1	WIPER	
16	91404380	1	SETSCREW	
17	91054157	1	BUSHING	
18	91034267	1	BUSHING	
K1	91404381	AR	SEAL KIT, (includes items 3, 4, 6 & 10 thru 15)	



Figure 12-31 Truss Boom Pressure Reducer Valve - 1360 PSI

Item	Part Number	Qty.	Description	Rev.
	91413040	1	TRUSS BOOM PRESSURE REDUCER VALVE, 1360 PSI, (includes all items)	
1	91414048	1	PRESSURE REDUCING CARTRIDGE	
2	91414047	1	CHECK CARTRIDGE	
3	Use Kit K1	1	O-RING	
4	Use Kit K1	1	O-RING	
5	Use Kit K1	1	O-RING	
K1	91414045	1	SEAL KIT, (includes items 3 thru 5)	



Figure 12-38 Winch

Item	Part Number	Qty.	Description	Rev.
	1001114795	1	WINCH WITH MOTOR, (includes all items)	A
1	70023747	1	MOTOR ADAPTER	
2	70023748	5	PAPER MAT	
3	70023749	1	COUPLING SHAFT	
4	70023750	2	BEARING HOUSING	
5	70023751	1	WORM	
6	70023752	1	GEAR HOUSING	
7	70023753	2	FRICITION PLATE	
8	70023754	1	OVER RUNNING CLUTCH	
9	70023755	1	FRICITION DISK	
10	70023756	1	BRAKE	
11	70023757	1	BRAKE SHELL	
12	70023758	2	PAPER MAT	
13	70023759	1	END CAP	
14	70023760	1	WORM GEAR	
15	70023761	1	PAPER MAT2	
16	70023762	1	CENTER BRACKET	
17	70023763	1	WINCH DRUM	
18	70023764	1	WORM GEAR SHAFT	
19	70023765	1	END BRACKET	
20	70023766	1	LEFT END CAP	
21	70023767	4	END CAP BOLT	
22	70023768	4	END CAP WASHER	
23	70023769	3	SELF LUBRICATING BEARING	
24	70023770	4	THRUST WASHER	
25	70023771	1	SHAFT BOLT	
26	70023772	4	DRUM SHAFT KEY	
27	70023773	1	CENTER BRACKET SEAL	
28	70023774	18	SPRING WASHER	
29	70023775	6	CENTER BRACKET BOLT	
30	70023776	2	DRUM SHAFT KEY	
31	70023777	10	GEAR COVER WASHER	
32	70023778	4	GEAR COVER BOLT	
33	70023779	1	WORM SHAFT KEY1	
34	70023780	2	WORM SHAFT SEAL	
35	70023781	3	GEAR HOUSING BOLT	
36	70023782	3	GEAR HOUSING WASHER	
37	70023783	2	TAPERED ROLLER BEARING	
38	70023784	3	MOTOR COUPLER SCREW	
39	70023785	8	MOTOR ADAPTER BOLT	
40	70023786	1	MOTOR COUPLER KEY	
41	70023787	2	MOTOR BOLT	
42	70023788	2	MOTOR WASHER	
43	70023789	1	MOTOR	



Figure 12-41 Beacon Light Installation

Item	Part Number	Qty.	Description	Rev.
	1001114493	Ref	BEACON LIGHT INSTALLATION, (if equipped), (not available to order, see items 1 thru 23 for service)	B, 2
1	0100011	AR	LOCTITE® 242™	
2	0641407	2	HEX HD CAPSCREW, 1/4-20X7/8, GR5	
3	0721006	3	INDENTED HEX HD MACHINE SCREW, #10-24X3/4	
4	0903669	1	BEACON BRACKET	
5	3311001	3	HEX NUT, #10-24, GR2	
6	3311401	2	HEX NUT, 1/4-20, GR2	
7	4460508	2	TERMINAL	
8	4461017	1	2 POSITION TERMINAL	
9	4711400	2	WASHER, 1/4	
10	4751000	3	WASHER, #10	
11	4761000	3	LOCKWASHER, #10	
12	4761400	2	LOCKWASHER, 1/4	
13	14404173	AR	SILICONE SEALANT	
14	77363265	1	RELAY	
15	91343031	1	ROTATING BEACON	
	91344053	1	BULB	
16	1001090461	1	BEACON SWITCH	
17		Ref	CAB WORK LIGHT HARNESS, (see Figure 10-4 for details)	
18		Ref	CAB WORK LIGHT & BEACON LIGHT SWITCH HARNESS, (not shown), (see Figure 10-5 for details)	
19	1001090615	1	GROMMET	
20	8096D097	72 in	ECONOMY WIRING DUCT	
23	77363268	1	FUSE, 15 AMP	

PART NUMBER INDEX



Part Number	Page	Part Number	Page	Part Number	Page	Part Number	Page
3790226	1-9	4711000	12-131	70021146	5-27, 5-29	70021766	9-15
3790230	1-9	4711400	1-4, 3-37, 3-40,	70021342	3-19, 3-53	70021767	9-15
3820020	3-39		12-73, 12-80,	70021349	3-19	70021768	9-15
3841203	3-11		12-116, 12-119,	70021358	3-53	70021769	9-15
3900140	4-41		12-133, 12-135	70021359	3-53	70021770	9-15
3911008	3-37	4711500	3-37, 12-73, 12-111,	70021360	3-53	70021771	9-15
3911428	3-37		12-113	70021361	3-53	70021772	9-15
3911528	3-37	4711600	1-10, 2-13, 8-27,	70021362	3-53	70021774	9-15
3941506	12-131		11-13, 12-69,	70021364	3-53	70021775	9-15
3960616	4-39		12-80	70021365	3-53	70021812	9-77
4105262	11-13	4711800	2-3, 2-9, 12-116,	70021366	3-53	70021908	9-75
4110422	3-15, 3-19		12-119	70021367	3-53	70021913	9-25
4160215	7-7	4712000	2-3	70021387	3-53	70021921	3-19
4400490	4-41	4712200	12-116, 12-119	70021391	3-53	70021935	3-19
4400496	4-41	4740003	2-21	70021392	3-53	70021957	9-11
4420060	1-6	4751000	3-37, 12-117,	70021393	9-73	70021958	9-11
4460035	12-44		12-120, 12-133,	70021395	3-53	70021977	3-19
4460419	10-19		12-135	70021399	3-53	70021978	3-19
4460457	10-17	4751400	3-39	70021415	3-19	70021979	3-19
4460458	10-17	4751600	4-51, 12-80, 12-113	70021440	9-73	70021981	3-53
4460459	10-9	4751800	1-6, 2-7, 12-131	70021444	9-73	70022028	3-19
4460464	12-116, 12-119	4761000	3-37, 12-117,	70021446	9-73	70022038	9-75
4460465	10-13		12-120, 12-131,	70021447	9-73	70022039	9-75
4460466	10-13, 10-15		12-133, 12-135	70021448	9-73	70022040	9-75
4460475	10-19	4761400	12-116, 12-119,	70021451	9-73	70022041	9-75
4460508	12-133, 12-135		12-133, 12-135	70021452	9-73	70022042	9-75
4460746	10-9	4761500	1-4, 7-23, 12-109	70021464	9-73	70022043	9-75
4460789	10-9, 10-11, 10-17	4761600	1-9, 2-7, 2-13, 4-51,	70021465	9-73	70022044	9-77
4460850	10-11		8-25, 8-27,	70021466	9-73	70022045	9-77
4460851	10-19		12-113	70021630	9-11, 9-19, 9-29,	70022046	9-77
4460891	10-11, 10-13	4761800	1-6, 2-7, 2-17, 8-9,		9-33	70022051	9-57
4460897	12-116, 12-119		12-71, 12-116,	70021633	9-29	70022527	3-53
4460930	10-15		12-119	70021634	9-29	70022729	9-39, 9-41, 9-43
4460931	10-13	4762000	3-37	70021635	9-29	70022804	12-37
4460934	10-19	4832000	12-109	70021648	9-19	70022931	3-60, 3-64
4460942	10-11, 10-13	4832100	12-109	70021742	9-29	70022932	3-60, 3-64
4461017	12-119, 12-133,	4846265	3-37	70021743	9-29	70022933	3-64
	12-135	4846452	3-39	70021744	9-29	70022934	3-60, 3-65
4461157	10-19	4846528	3-37	70021745	9-33	70022935	3-61, 3-65
4461254	12-131	4891800	3-11, 9-5, 9-7, 9-9,	70021746	9-33	70022936	3-61, 3-65
4520368	5-33		9-11, 9-19, 9-23,	70021747	9-33	70022937	3-61, 3-65
4520369	5-33		9-25	70021748	9-33	70022938	3-65
4520370	5-33	4923400	10-9	70021749	9-33	70022939	3-61, 3-65
4520371	5-33	4923452	4-41	70021750	9-33	70022940	3-65
4520374	5-33	5251016	4-24	70021751	9-33	70022941	3-65
4520375	5-33	6604662	3-25	70021752	9-11	70022942	3-61, 3-65
4520481	5-33	7000297	5-27, 5-29	70021753	9-11	70022943	3-65
4520482	5-33	7000645	12-137	70021754	9-11	70022944	3-65
4520485	5-33	70020227	12-98	70021755	9-11	70022945	3-65
4520486	5-33	70020428	9-77	70021756	9-11	70022946	3-61, 3-65
4520489	5-33	70020429	9-31	70021757	9-11	70022947	3-65
4520490	5-33	70020432	9-13	70021758	9-11	70022948	3-65
4520645	5-34	70020494	9-13	70021759	9-19	70022949	3-61, 3-65, 3-66
4520646	5-34	70020495	9-13	70021760	9-19	70022950	3-61, 3-65
4520647	5-34	70020555	3-51	70021761	9-19	70022951	3-65
4569358	12-67	70020562	3-53	70021762	9-19	70022952	3-61
4569359	8-25	70020717	9-36, 12-84, 12-88	70021763	9-19	70022957	3-60, 3-64
4640438	9-75	70020923	7-11	70021764	9-19	70022958	3-66
4660508	12-119	70021141	5-27, 5-29	70021765	9-19	70022959	3-66

CLICK HERE TO **DOWNLOAD** THE COMPLETE MANUAL

- Thank you very much for reading the preview of the manual.
- You can download the complete manual from: www.heydownloads.com by clicking the link below



- Please note: If there is no response to CLICKING the link, please download this PDF first and then click on it.

CLICK HERE TO **DOWNLOAD** THE COMPLETE MANUAL