



Illustrated Parts Manual

Model 544D

**SN 0355001 through 0455362
& 0160000192 to Present**

91364001

*Revised
August 2, 2017*



An Oshkosh Corporation Company

CLICK HERE TO **DOWNLOAD** THE COMPLETE MANUAL

- Thank you very much for reading the preview of the manual.
- You can download the complete manual from: www.heydownloads.com by clicking the link below



- Please note: If there is no response to CLICKING the link, please download this PDF first and then click on it.

CLICK HERE TO **DOWNLOAD** THE COMPLETE MANUAL

SECTION 1 - FRAME AND ATTACHING PARTS

SECTION 1 - FRAME AND ATTACHING PARTS

SECTION 1 - FRAME AND ATTACHING PARTS

FIGURE 1-3. FRAME SHROUDING AND TRIM (SN 0160035037 to Present, Excluding 0160035922)

ITEM	PART NUMBER	QTY	DESCRIPTION	REV
1	1001099036	1	DECK COVER	
2	1001091065	1	REAR ENGINE COVER	
3	1001099034	1	RADIATOR COVER	
4	91366004	1	TANK COVER WELDMENT	
5	1001093467	1	RUBBER AIR DAM	
6	90207458	2	DRAW LATCH	
7	91083173	2	RUBBER BUMPER	
9	88301073	4	ROUND HD MACHINE SCREW, #8-32X3/4	
10	88521604	4	HEX LOCKNUT, #10-32	
15	91556016	1	REAR CENTER COVER	
16	91363210	2	T-HANDLE	
17	88301193	8	ROUND HD CAPSCREW, #10-32X1/2	
18	4761000	10	LOCKWASHER, #10	
19	88501613	4	HEX NUT, #10-32	
20	90206196	AR	TRIM-LOCK	
21	14402248	AR	3M ADHESIVE	
27	88501612	2	HEX NUT, #10-24	
28	0791505	70	WHIZ-LOCK SCREW, 5/16-18X5/8	
29	91146050	1	REAR COVER WELDMENT	
30	90200755	24 in	WEATHER STRIP	
34	4751500	26	FLAT WASHER, 5/16	
35	0791504	4	WHIZ-LOCK SCREW, 5/16-18X1/2	
37	14404645	AR	T-9 METAL PROTECTION, (12 oz spray), (not shown)	
38	14404646	AR	T-9 METAL PROTECTION, (1 gal), (not shown)	
39	83683291	1	MIRROR	
40	91141218	1	HINGE	
41	91143348	2	CLAMP BAR	
43	91531021	1	AIR DAM SUPPORT	
44	0630467	4	HEX SOCKET BUTTON HD CAPSCREW, 5/16-18X1/2	
45	85211088	4	RUBBER BUMPER	
50	91563158	1	SUSPENSION SEAT WITH 2 IN SEAT BELT	G
50	1001101085	1	SUSPENSION SEAT WITH 2 IN SEAT BELT, (includes items 701 thru 707)	D
50	7026904	1	ARMREST KIT	
60	77143013	4	WHIZ-LOCKNUT, 1/4-20	
61	91403230	1	MANUAL HOLDER	
65	8466306	1	TILT ANGLE GAUGE	
76	77143006	4	WHIZ-LOCKNUT	
77	3311505	4	HEX LOCKNUT, 5/16-18	
78	4711500	4	FLAT WASHER, 5/16	
106	0682414	4	HEX HD CAPSCREW, 7/8-9X1-3/4, GR8	
116	4892500	4	HARDENED WASHER, 7/8	
215	86683122	1	TIE WRAP	
217	0641406	2	HEX HD CAPSCREW, 1/4-20X3/4, GR5	
218	8270621	1	BACK-UP ALARM	
219	4711400	2	FLAT WASHER, 1/4	
220	8305624	2	HEX LOCKNUT, 1/4-20	
283	1001116274	1	MOLDED RESISTOR	
330	91143357	1	HORN ASSY	
334	0791504	1	WHIZ-LOCK SCREW, 5/16-18X1/2	

SECTION 2 - BOOM

SECTION 2 - BOOM

FIGURE 2-7. QUICK SWITCH ASSEMBLY (Prior to SN 0160037689)

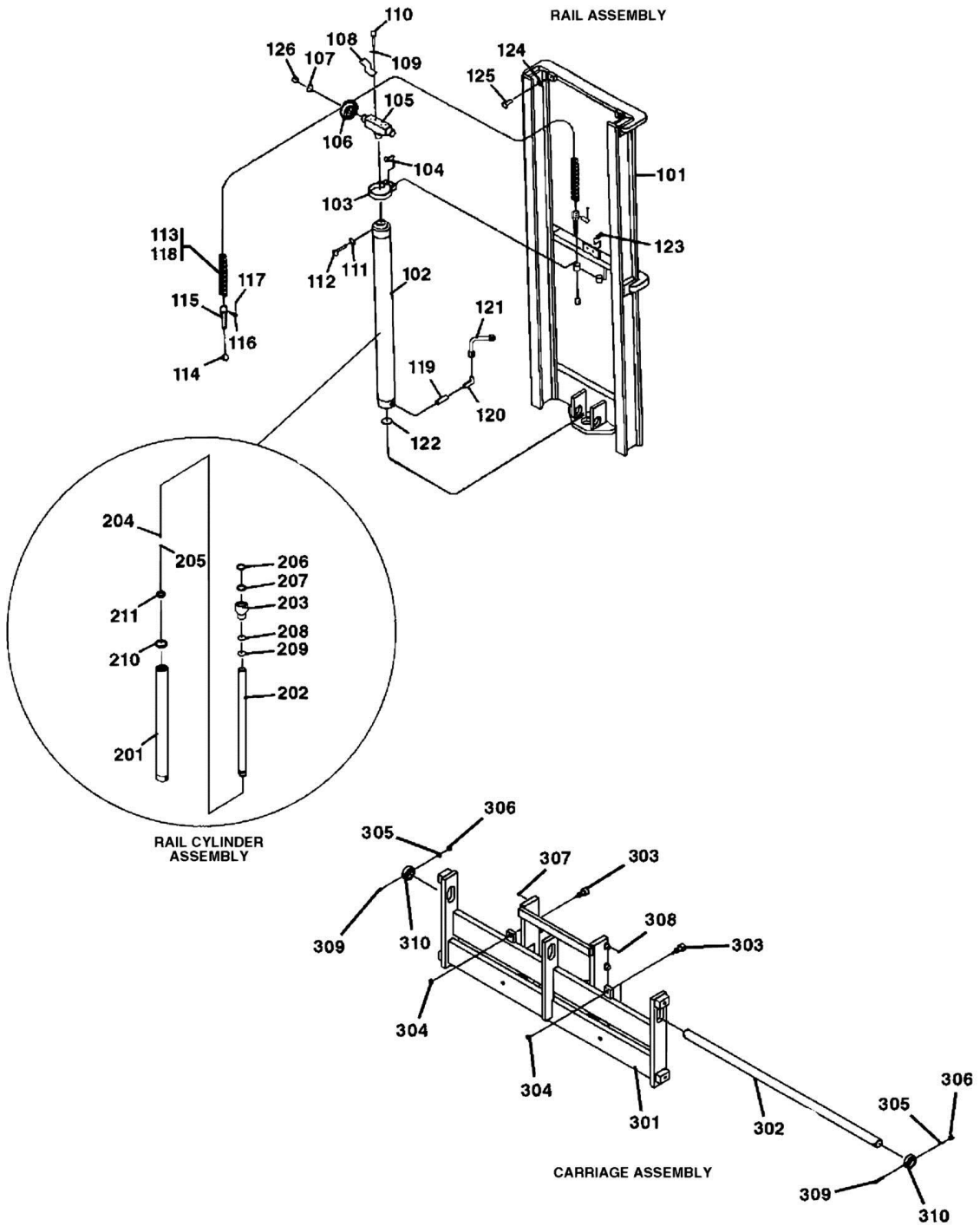
ITEM	PART NUMBER	QTY	DESCRIPTION	REV
	91085091	1	QUICK SWITCH ASSY, (includes items 1 thru 6, 16 & 17)	C
1	91086152	1	QUICK SWITCH WELDMENT	
2	91086151	1	PLUNGER WELDMENT	
3	90207902	1	QUICK RELEASE PIN	
4	91033038	1	JACK CHAIN, 5 IN LONG, SIZE 12	
5	3440832	1	ROLL PIN, 1/4X2	
6	88671008	1	STRAIGHT LUBE FITTING, 1/4-28	
7		Ref	FOURTH BOOM SECTION, (includes item 8), (See FOURTH BOOM SECTION for Breakdown)	
8	91363085	2	BUSHING	
9	91121308	1	HEX HD CAPSCREW, 5/8-11X5, L-9	
10	91041365	1	PIN	
11	91121309	1	HEX LOCKNUT, 5/8-11, L-9, (torque to 185-200 lb-ft, do not substitute lesser grade hardware for L-9 parts)	
12	91166062	1	TILT CYLINDER PIN	
13	83201123	2	HEX HD CAPSCREW, 1/2-13X1, GR5, (nylok)	
14	4712000	2	FLAT WASHER, 5/8, L-9	
15	4711800	2	FLAT WASHER, 1/2	
16	88301193	1	ROUND HD MACHINE SCREW, #10-32X1/2	
17	88561105	1	FLAT WASHER, #10	

SECTION 3 - ATTACHMENTS

FIGURE 3-3. TILT CARRIAGE (SN 0160023515 to Present)

ITEM	PART NUMBER	QTY	DESCRIPTION	REV
	1170020	1	50 IN TILT CARRIAGE, (includes all items) (Prior to SN 0160037689)	C
	1170021	1	50 IN TILT CARRIAGE, (includes all items) (SN 0160037689 to Present)	D
	1170023	1	60 IN TILT CARRIAGE, (includes all items) (Prior to SN 0160037689)	C
	1170024	1	60 IN TILT CARRIAGE, (includes all items) (SN 0160037689 to Present)	D
	1170026	1	72 IN TILT CARRIAGE, (includes all items) (Prior to SN 0160037689)	C
	1170027	NLA	72 IN TILT CARRIAGE, (includes all items), (no longer available, use 1001132514 for service) (SN 0160037689 to Present)	E
	1001132514	1	72 IN TILT CARRIAGE, (includes all items) (SN 0160037689 to Present)	A
1	0642032	2	HEX HD CAPSCREW, 5/8-11X4, GR5	
2	N.S.S.	1	TILT CARRIAGE	
3	3300240	2	LOCKNUT, 5/8-11	
4	3423275	1	50 IN FORK PIN	
4	3423242	1	60 IN FORK PIN	
4	3423276	1	72 IN FORK PIN	
5	90200003	2	COLLAR	
6	N.S.S.	1	S/N PLATE	

SECTION 3 - ATTACHMENTS



SECTION 3 - ATTACHMENTS

FIGURE 3-18. 180, SWING CARRIAGE (Prior to SN 0160000976)

ITEM	PART NUMBER	QTY	DESCRIPTION	REV
	90553011	1	SWING FRAME ASSY, 180, (includes all items)	
1	N.S.S.	1	FORK BASE WELDMENT	
2	91144205	1	FORK PIN	
3	91144206	2	HEX NUT, 1/2	
4	91204400	2	LOCKWASHER, 1/2	
5	91144207	2	COLLAR	
6	91144208	2	HEX HD CAPSCREW, 1/2X3-1/4, GR5	
7	91144209	8	SNAP RING	
8	91144210	4	PIN	
9	91144211	1	HEAVY HEX JAM NUT, 3/4	
10	91144212	1	HEX HD CAPSCREW, 3/4X2, GR5	
11	91044251	1	SHAFT	
12	91044242	2	PIN RETAINER	
13	91204368	4	LOCKWASHER, 5/8	
14	91144213	4	HEX HD CAPSCREW, 5/8X1-1/4, GR5	
15	N.S.S.	1	INTERMEDIATE FRAME	
16	91044244	4	BRONZE BUSHING	
17	91044245	AR	SHIM	
18	91144214	10	STRAIGHT LUBE FITTING, 1/4	
19	91144215	2	HEX HD CAPSCREW, 1/4X3/4, GR5	
20	91144216	2	LOCKWASHER, 1/4	
21	91144218	2	DRILLED SHIM, 20 GAUGE	
22	91144217	2	STEEL SPRING	
23	91144219	1	FLAT HD CAPSCREW, 2X1/4	
24	91044249	2	THRUST BEARING	
25	91044250	2	LUBRICATION COLLAR	
26	91044241	1	SHAFT	
27	N.S.S.	1	FIXED FRAME	
28	91141350	2	PIN	
29	91144221	4	SOCKET SET SCREW, (cup point), 1/4X3/8	
30	91146053	1	PIN SUPPORT, LH	
30	91146054	1	PIN SUPPORT, RH	
31	91043126	1	DUST CAP, FEMALE	
32	90204245	1	QUICK DISCONNECT HYDRAULIC FITTING, FEMALE	
33	88661013	2	STRAIGHT FITTING	
34	91144222	1	HOSE ASSY	
35	91204563	2	ELBOW, 90, (includes item 36)	
36		Ref	O-RING	
37	91144223	2	HEX HD CAPSCREW, 5/16X3, GR5	
38		Ref	SWING VALVE ASSY, (See OPTIONS SECTION for Breakdown)	
39	91144224	4	LOCKWASHER, 5/16	
40	91144225	2	HEX NUT, 5/16	
41	2220473	4	ELBOW, 90, (includes item 42)	
42	88591204	6	O-RING	
43	91144226	1	HOSE ASSY	
44	91144227	1	ELBOW, (swivel nut)	
45	91144228	1	HOSE ASSY	
46	91144229	1	HOSE ASSY	
47	91144230	2	HOSE ASSY	
48	91044262	2	CYLINDER ASSY, (includes items 49 thru 60)	

SECTION 3 - ATTACHMENTS

ITEM	PART NUMBER	QTY	DESCRIPTION	REV
102	90554057	4	ELBOW, 90	
103	90554058	1	HOSE ASSY	
104	90554059	1	HOSE ASSY	
105	90554060	2	HOSE ASSY	
106	90554073	1	HOSE ASSY	
107	90554069	6	ELBOW, 90	
108	90554071	2	ELBOW, 90	
110	90554065	2	ELBOW, 90	
111	70021983	1	HOSE ASSY	
112	90554063	2	ADAPTER	
113	90554076	1	DUST PLUG	
114	91403213	1	FEMALE QUICK COUPLER	
115	90554072	1	HOSE ASSY	
116	90554062	1	DUST CAP	
117	91403414	1	MALE QUICK COUPLER	
118	90554064	1	HOSE ASSY	
201	70020383	1	VALVE, (includes o-rings and mounting hardware)	

SECTION 3 - ATTACHMENTS

FIGURE 3-24. PERSONNEL PLATFORM (Prior to SN 0160037689)

ITEM	PART NUMBER	QTY	DESCRIPTION	REV
	90555024	1	PERSONNEL PLATFORM ASSY, (includes all items)	J
1		Ref	106 IN PERSONNEL PLATFORM, (includes items 21 thru 29)	
1	90553034	NLA	96 IN PERSONNEL PLATFORM, (no longer available, use 3510809 for service), (includes items 21 thru 27 & 29 thru 41)	B
1	3510809	1	96 IN PERSONNEL PLATFORM, (includes items 21 thru 27 & 29 thru 41)	C
1	3510807	1	96 IN PLATFORM	A
2	90556020	1	ADAPTER SUPPORT	
3	91146053	1	LH SUPPORT BRACKET	
4	91141350	2	PIN	
5	91146054	1	RH SUPPORT BRACKET	
6	88631449	2	ROLL PIN, 1/8X1-1/2	
7	91043221	2	DETENT PIN	
8	N.S.S.	1	S/N PLATE	
9		Ref	DRIVE SCREW, #10X3/8	
10	91033039	2	CHAIN CONNECTION	
11	91033038	24 in	CHAIN	
12	0682012	8	HEX HD CAPSCREW, 5/8-11X1-1/2	
13	88551015	8	LOCKWASHER, 5/8	
14	91403230	1	MANUAL HOLDER	
15	77143013	4	WHIZ-LOCKNUT, 1/4-20	
16	90554001	1	PERSONNEL WORK PLATFORM MANUAL	
17	80903009	3	GRADALL DECAL, (106 in platform)	
17	77333053	3	GRADALL DECAL, (96 in platform)	
18	1706893	1	WARNING DECAL	
19	1706892	1	WARNING DECAL	
20	1704277	AR	LANYARD DECAL	
21	4846265	1	GATE	
22	3539685	1	LATCH PLATE	
23	2940074	1	LATCH	
24	3911008	4	ROUND HD SCREW	
25	3311001	4	HEX NUT, #10-24	
26	4751000	4	WASHER, #10	
27	4761000	4	WASHER	
28	90554013	10	BLIND FASTENER	
29	2600216	2	HINGE	
30	0641524	4	HEX HD CAPSCREW, 5/16-18X3	
31	2080063	16	NYLON LOCKNUT, 1/4-20	
32	2080064	14	NYLON LOCKNUT, 5/16-18	
33	3520072	5	CAP PLUG	
34	3573363	1	GUARD PLATE	
35	3641438	1	BENT RAIL	
36	3911428	16	ROUND HD SCREW, 1/4-20X3/4	
37	3911528	12	ROUND HD SCREW, 5/16-18X3/4	
38	4711400	16	WASHER, 1/4	
39	4711500	32	WASHER, 5/16	
40	4846528	1	BASKET END WELDMENT	
41	3311501	2	HEX NUT, 5/16-18	
		Ref	WHEN BUYING THE PERSONNEL PLATFORM ASSEMBLY FOR THE FIELD INSTALLATION, BE SURE TO ALSO ORDER THE	

SECTION 3 - ATTACHMENTS

FIGURE 3-27. GRAPPLE BUCKET (SN 0160037689 to Present)

ITEM	PART NUMBER	QTY	DESCRIPTION	REV
	0930020	1	GRAPPLE BUCKET, (includes all items)	G
1	N.S.S.	1	BUCKET	
1	70021387	4	HOSE CLAMP	
2	70021391	1	RIGHT GRAPPLE HOOK	
3	70021392	1	LEFT GRAPPLE HOOK	
4	70021358	4	BUSHING	
5	70021359	2	SPACER	
6	70021360	4	BUSHING	
7	7029714	4	GREASE FITTING	
8	70021361	2	OUTER PIVOT PIN	
9	70021362	2	INNER PIVOT PIN	
10		Ref	GRAPPLE BUCKET CYLINDER, (See HYDRAULIC COMPONENTS SECTION for Breakdown)	
11	70021364	2	PIN	
12	70021365	2	PIN	
13	70021366	4	HEX HD CAPSCREW, 3/8X2.75	
13	70021367	4	LOCKNUT, 3/8	
14	70021399	4	HEX HD CAPSCREW, 3/8X2.25	
14	70021367	4	LOCKNUT, 3/8	
15	90554065	4	ELBOW, 90	
16	70021980	2	HOSE ASSY, 3/8X73 IN	
17	70020562	2	TEE FITTING	
18	70021981	2	HOSE ASSY, 3/8X46 IN	
19	70021395	2	HOSE ASSY, 3/8X34 IN	
20	70022527	2	ELBOW, 90	
21	7029692	1	MALE QUICK COUPLER	
22	90554062	1	DUST COVER	
23	70021342	1	FEMALE QUICK COUPLER	
24	90554076	1	DUST COVER	
25	90554016	1	MADE IN USA DECAL	
26	N.S.S.	1	S/N PLATE	
27	90554017	2	DANGER PINCH POINT DECAL	
28	90554018	1	HIGH PRESSURE WARNING DECAL	

SECTION 4 - ENGINE AND ATTACHING PARTS

FIGURE 4-2. ENGINE ASSEMBLY, LH VIEW (SN 0355070 through 0355140)

ITEM	PART NUMBER	QTY	DESCRIPTION	REV
	91165032	1	ENGINE ASSY, (includes all items on ENGINE ASSEMBLY, LH VIEW except items 51 & 58 thru 68, also includes items on ENGINE ASSEMBLY, RH VIEW and ENGINE PUMP MOUNT AND FLYWHEEL HOUSING)	
1	91163017	1	CUMMINS B3.9C-130 EPA ENGINE	
2	91143329	1	FAN ASSY	
3	91163122	1	TUBE ASSY	
4	84712738	2	SPLIT FLANGE CLAMP	
5	83201135	4	HEX HD CAPSCREW, 7/16X14-1-1/2, GR8	
6	88551012	8	LOCKWASHER, 7/16	
7		Ref	MAIN PUMP, (See HYDRAULIC COMPONENTS SECTION for Breakdown)	
8	88201095	2	HEX HD CAPSCREW, 5/8-11X1-1/2, GR5	
9	83191010	10	LOCKWASHER, M12	
10	2220635	1	TEE FITTING	
11	88591027	1	O-RING	
12	91143121	1	SUCTION TUBE	
13	84711334	2	FLANGE CLAMP	
14	91146056	1	RH ENGINE MOUNT	
15	83191032	8	HEX HD CAPSCREW, M12X1.75X35, (lubricate and torque to 58-68 lb-ft)	
16	91163260	1	ACCELERATOR CABLE	
17	91166075	1	THROTTLE BRACKET	
18	83191004	2	HEX HD CAPSCREW, M12X1.75X30	
19	83191012	2	LOCKWASHER, M6	
20	83191035	2	SOCKET HD CAPSCREW, M6X1X16	
21	91143345	1	BALL SOCKET	
22	91143344	1	OVER TRAVEL	
23		Ref	ENGINE HARNESS, (See ELECTRICAL SECTION for Breakdown)	
24	2720058	107 in	FUEL LINE HOSE, 5/16	
25	88201051	4	HEX HD CAPSCREW, 7/16-14X1-1/4, GR5	
26	90030271	1	HOSE NIPPLE	
27	91083106	1	O-RING	
28	24741047	1	PRESSURE SWITCH	
29	91143315	1	OIL PRESSURE SENDER	
30	91081388	1	TAPPED BAR	
31	83191041	4	HEX HD CAPSCREW, M8X1.25X70	
32	86883075	2	TUBE FITTING	
33	72071980	28 in	NYLON TUBE, 3/8	
34	88561108	4	WASHER, 5/16	
35	90027472	2	HARDENED WASHER, 5/8	
36	91161323	1	THROTTLE BAR	
37	88591206	1	O-RING	
38	90027187	7	TIE WRAP	
39	88201020	2	HEX HD CAPSCREW, 5/16-18X1, GR5	
40	24861170	2	SUPPORT CLAMP	
41	85941017	2	SUPPORT CLAMP	
42	88521205	2	HEX NUT, 5/16-18	
43	77133447	1	HOSE ASSY	
44	2220497	1	ADAPTER, (includes item 37)	

SECTION 4 - ENGINE AND ATTACHING PARTS

FIGURE 4-7. ENGINE ASSEMBLY, RH VIEW (SN 0355070 through 0355140)

ITEM	PART NUMBER	QTY	DESCRIPTION	REV
	91165032	1	ENGINE ASSY, (includes all items on ENGINE ASSEMBLY, RH VIEW also includes items on ENGINE ASSEMBLY, LH VIEW and ENGINE PUMP MOUNT AND FLYWHEEL HOUSING)	
1	91083418	1	TUBE ASSY	
2	84712738	8	SPLIT FLANGE CLAMP	
3	83201135	4	HEX HD CAPSCREW, 7/16-14X1-1/2, GR8	
4	88551012	16	LOCKWASHER, 7/16	
5	91163201	1	TUBE ASSY	
6	91083266	1	TUBE ASSY	
7	91163098	1	TUBE ASSY	
8	83191021	7	HEX HD CAPSCREW, M10X1.5X30	
9	83191013	14	LOCKWASHER, M10	
10	91143124	1	NEGATIVE BATTERY CABLE	
11	91143099	1	POSITIVE BATTERY CABLE	
12	91083218	1	FUEL FILTER, (I/L)	
13	91086130	1	TUBE SUPPORT	
14	91143314	1	WATER TEMP SENDER	
15	91083106	4	O-RING	
16		Ref	TRACTION LOCK VALVE, (See HYDRAULIC COMPONENTS SECTION for Breakdown)	
17	2220579	1	TEE FITTING	
18	2220371	2	ADAPTER, (includes item 44)	
19	88201065	2	HEX HD CAPSCREW, 1/2-13X1, GR5	
20	88551013	2	LOCKWASHER, 1/2	
21	91146058	1	FLOW DIVIDER BRACKET	
22	2131212	1	ELBOW, 90, (includes o-ring)	
22	88591207	1	O-RING	
23	2151212	1	ELBOW, 45, (includes o-ring)	
23	88591207	1	O-RING	
24	91146037	1	EXHAUST TUBE	
25	83683175	1	MUFFLER CLAMP	
26	91084162	1	FAN BELT	
27	1001108293	1	ALTERNATOR, (includes item 31), (see service note #3 & #5)	
28	91083456	1	STARTER, (see service note #4)	
29	88711385	1	REDUCER BUSHING	
30	84718639	1	HOSE ASSY	
31	1001108291	1	REGULATOR	
32	90402427	2	STARTER SOLENOID, (relay)	
33	83201155	12	HEX HD CAPSCREW, 7/16-14X1-3/4, GR8	
34	91363022	1	JUMPER WIRE	
35	88561109	7	FLAT WASHER, 3/8	
36	83191006	5	HEX HD CAPSCREW, M10X1.5X40	
37	83191004	2	HEX HD CAPSCREW, M12X1.75X30	
38	83191010	2	LOCKWASHER, M12	
39	88561111	3	FLAT WASHER, 1/2	
40	88201036	4	HEX HD CAPSCREW, 3/8-16X1-1/4, GR5	
41	91143122	1	SUPPORT CLAMP, 5/8	
42	84711333	2	SPLIT FLANGE	
43	2200224	1	PIPE PLUG, 3/4	
44	88591204	2	O-RING	

SECTION 4 - ENGINE AND ATTACHING PARTS

FIGURE 4-13. ENGINE PUMP MOUNT AND FLYWHEEL HOUSING (SN 0355141 through 0455362, SN 0160000192 through 0160000973)

ITEM	PART NUMBER	QTY	DESCRIPTION	REV
	91165032	1	ENGINE ASSY, (includes all items on ENGINE PUMP MOUNT AND FLYWHEEL HOUSING also includes items on ENGINE ASSEMBLY, LH VIEW and ENGINE ASSEMBLY, RH VIEW)	AB
1	91163011	1	PUMP MT AND FLYWHEEL COUPLING	
2		Ref	HYDROSTATIC TRANSMISSION PUMP, (See HYDRAULIC COMPONENTS SECTION for Breakdown)	
3	88211068	8	SOCKET HD CAPSCREW, 3/8-16X5/8, (torque to 40-45 lb-ft)	
4	88551011	8	LOCKWASHER, 3/8	
5	88201112	2	HEX HD CAPSCREW, 3/4-10X2-1/4, GR5, (torque to 240-265 lb-ft)	
6	90027473	2	HARDENED WASHER, 3/4	
7	2220380	1	ADAPTER, (includes o-ring)	
7	88591210	1	O-RING	
8	91143087	1	INTAKE TUBE	
9	91143143	1	HOSE ASSY	
10	80633030	1	BAND CLAMP	
11	2220628	1	ELBOW, 90	
12	2220472	2	ELBOW, 90, (includes o-ring)	
12	88591204	2	O-RING	
13	2220501	1	ELBOW, 45, (includes o-ring)	
13	88591204	1	O-RING	
14	2220700	1	TEE FITTING	
15	2220622	1	REDUCER WITH ADAPTER	
16	2220385	1	TEE FITTING	
17	8760268	1	ELBOW, 90, (swivel nut)	
18	2220451	1	ADAPTER, (includes o-ring)	
18	88591207	1	O-RING	
19	2220635	1	TEE FITTING	
20	77133447	1	HOSE ASSY	
21	91144002	1	O-RING	
22	91053020	2	TEST COUPLING, (includes o-ring)	
22	91054002	2	O-RING	
23	90028482	1	BAND CLAMP	
24	77363128	1	HOSE ASSY	
25	91084311	1	MOUNTING PLATE, (includes bolts)	
26	91164104	1	COUPLING	

SECTION 4 - ENGINE AND ATTACHING PARTS

FIGURE 4-18. CUMMINS ENGINE (SN 0160035037 to Present, Excluding 0160035922)

ITEM	PART NUMBER	QTY	DESCRIPTION	REV
	2000402	1	CUMMINS ENGINE, 130 HP, (includes all items)	D
	70021793	1	VALVE COVER GASKET	
	70021794	1	FUEL INJECTION PUMP	
	70021795	1	FLY WHEEL	
	70021796	1	ENGINE OIL COOLER	
	70021797	1	ENGINE OIL COOLER GASKET	
	70023300	1	EXTENSION TUBE, DIPSTICK, (used with 800mm dipstick)	
	70023299	1	OIL LEVEL DIPSTICK, (used with 800mm dipstick)	
	70023298	1	DIPSTICK TUBE, (used with 800mm dipstick)	
	70021798	1	OIL LEVEL DIPSTICK, (used with 200mm dipstick)	
	70021799	1	DIPSTICK TUBE, (used with 200mm dipstick)	
	70021800	1	LUBRICATION OIL PUMP	
	70021801	1	OIL PAN	
	70022636	1	OIL PAN GASKET	
	70021803	1	OIL PAN PLUG	
	70021804	1	TURBOCHARGER KIT, (includes 3 gaskets)	
	70021805	1	WATER PUMP	
	70021806	1	WATER PUMP GASKET	
	70021807	1	FAN BELT	
	70022638	1	INJECTOR	
	70021809	1	BELT TENSIONER	
	70021810	1	EXPANSION PLUG	
	70020358	1	OIL FILTER	
	70020348	1	SECONDARY FUEL FILTER	
	70020349	1	PRIMARY FUEL FILTER	
	7029525	1	ALTERNATOR	

SECTION 4 - ENGINE AND ATTACHING PARTS

FIGURE 4-23. RADIATOR ASSEMBLY (SN 0160035037 to Present, Excluding 0160035922)

ITEM	PART NUMBER	QTY	DESCRIPTION	REV
	1001093475	1	RADIATOR ASSY, (includes items 2 thru 5)	D
2	8405201	4	CLAMP	
3	1001093472	1	UPPER RADIATOR HOSE	
4	1001093473	1	LOWER RADIATOR HOSE	
5	1001093474	1	RADIATOR, (includes items 101 thru 106)	D
101	70021584	1	RADIATOR	
102	70021585	1	FAN SHROUD ASSY	
103	70021586	1	CHARGE AIR COOLER	
104	70021587	1	HYDRAULIC COOLER	
105	70021588	2	ELBOW, 90	
106	70023058	1	RADIATOR CAP, 15 PSI	
210	1001092237	1	OVERFLOW BOTTLE, (includes item 401)	
211	1001093476	1	PIPE	
213	1001092238	1	HYDRAULIC HOSE	
214	1001093477	1	PIPE	
216	4341409	4	ISOLATOR	
226	1001114495	3	HUMP HOSE	
227	1001001853	7	BAND CLAMP	
230	2720645	1	REDUCER	
231	4761600	4	LOCKWASHER	
232	3271601	4	HEX NUT, 3/8-16	
255	2720058	AR	HOSE	
256	1320022	3	BAND CLAMP	
266	0681606	4	HEX HD CAPSCREW, 3/8-16X3/4, GR8	
269	4751800	4	WASHER, 1/2	
271	0641820	2	HEX HD CAPSCREW, 1/2-13X2-1/2, GR5	
272	0641822	2	HEX HD CAPSCREW, 1/2-13X2-3/4, GR5	
282	91163129	1	BAND CLAMP	
401	70023457	1	CAP, OVERFLOW BOTTLE	
508	1001104987	1	RH RADIATOR MOUNT	

SECTION 4 - ENGINE AND ATTACHING PARTS

FIGURE 4-28. AIR CLEANER (SN 0355001 through 0355579)

ITEM	PART NUMBER	QTY	DESCRIPTION	REV
	91153006	1	AIR CLEANER, (includes items 1 thru 5)	
1	91154005	1	COVER WITH NUT	
2	91154001	1	ELEMENT	
3	90201414	1	WING NUT WITH SEAL	
4	90200807	1	VACUATOR	
5	N.S.S.	1	BODY, METAL HOUSING	
6	91363063	1	AIR FILTER DECAL	

SECTION 4 - ENGINE AND ATTACHING PARTS

FIGURE 4-33. EXHAUST SYSTEM (SN 0160035037 to Present, Excluding 0160035922)

ITEM	PART NUMBER	QTY	DESCRIPTION	REV
4	91163035	1	MUFFLER	
5	91363201	1	TAIL PIPE	
7	91413030	1	FLEXIBLE TUBING	
8	8275247	2	MUFFLER CLAMP	
9	91553017	1	EXHAUST TUBE	
11	91403601	1	PIPE CLAMP	
124	1001091104	1	EXHAUST TUBE	
125	8275247	1	MUFFLER CLAMP	
176	4100109	36 in	FIBERGLASS SLEEVE	
177	90028488	2	CLAMP	

SECTION 5 - DRIVE TRAIN

FIGURE 5-4. BRAKE ASSEMBLY - ROCKWELL (SN 0355001 through 0455362)

ITEM	PART NUMBER	QTY	DESCRIPTION	REV
1	91144372	1	BRAKE HOUSING, (right side only - left side included in center housing)	
2	91144373	4	HYDRAULIC LINE BLEEDER	
3		Ref	DRAIN PLUG, (See FRONT AXLE – ROCKWELL for Breakdown)	
4	91144374	3	CAPSCREW - RIGHT SIDE ONLY, M8X1.25X40	
5	91144375	2	BRAKE PISTON AND PLATE ASSY, (includes items 6, 7, 9, 10, 14, 15 & 20)	
6	91124110	6	O-RING	
7	91124111	2	O-RING	
8	Kit	8	SHIM, (0.075)	
8	Kit	8	SHIM, (0.125)	
8	Kit	8	SHIM, (0.255)	
8	Kit	8	SHIM, (0.555)	
9	91144376	2	BRAKE PISTON	
10	91144377	32	SPRING	
11	91144378	16	SPRING	
12	86881421	16	WASHER	
13	91144379	16	RETURN SPRING BOLT	
14	91124112	2	O-RING	
15	Kit	2	BRAKE ACTUATING PLATE	
16	Kit	10	FRICITION DISC	
17	Kit	10	STATIONARY DISC	
18	70022875	2	BRAKE REACTION PLATE	
19	91144380	6	BRAKE DISC LOCKPIN	
20	91144381	42	CAPSCREW, M6X1X12, (allen)	
K1	91144442	Ref	BRAKE SEAL KIT, (includes items 6, 7 & 14), (services both sides)	
K2	91164081	Ref	BRAKE PISTON PLATE KIT, (includes items 15 thru 18), (services one side)	
K3	91164082	Ref	BRAKE PLATE AND SEAL KIT, (includes items 6, 7 & 14 thru 17), (services one side)	
K4	91144371	Ref	PISTON BRAKE SHIM KIT, (includes item 8), (services one side)	

SECTION 5 - DRIVE TRAIN

FIGURE 5-8. AXLE HOUSING ASSEMBLY - CARRARO (SN 0160000192 to Present)

ITEM	PART NUMBER	QTY	DESCRIPTION	REV
1	91364026	1	AXLE HOUSING, LH	
2	91364027	2	CAPSCREW, M12X130	
3	91474098	8	PLUG	
4	91364028	28	CAPSCREW, M16X160	
5	91474039	4	BREATHER, M10X1	
6	91364029	1	BRAKE HOUSING, LH	
7	91474037	4	PLUG, M30X2	
8	91474095	2	GREASE FITTING	
9	91364030	2	BUSHING	
10	91364031	2	SEAL RING	
11	91364032	4	O-RING	
12	91364033	1	BRAKE HOUSING, RH	
13	91474058	1	BREATHER, M10X1	
14	91364034	2	BUSHING	
15	91364035	2	SEAL RING	
16	91364036	2	BUSHING	
17	91364037	1	AXLE HOUSING, RH	
18	91474061	2	NUT, M16X2	
19	91474060	2	STUD, M16X2	
20	91364038	6	RELEASE PIN	
21	91474066	6	BOLT, M16X1.5	
22	91474065	6	O-RING	
23	91474064	6	SCREW, M22X1.5	
24	91474075	6	PLUG, M16X1.5	
25	91364039	4	PLUG, M10X1	
26	91364040	1	CENTRAL BODY	

SECTION 5 - DRIVE TRAIN

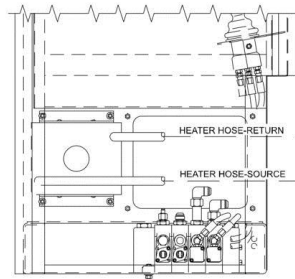
FIGURE 5-12. REAR STEERING AXLE DRIVE HUB (SN 0160000192 to Present)

ITEM	PART NUMBER	QTY	DESCRIPTION	REV
	91403588	1	REAR DRIVE HUB, (includes all items)	
1	7000297	2	RETAINING RING	
2	91414001	1	COUPLING	
3	91414002	1	INPUT SHAFT	
4	91414003	1	SPINDLE	
5	91414004	1	BOOT SEAL	
6	91414005	1	OIL SEAL	
8	91414007	1	BEARING CUP AND CONE KIT	
9	91404435	10	WHEEL BOLT	
10	91404436	1	HUB	
11	91414009	1	BEARING CUP AND CONE KIT	
13	91414011	1	THRUST WASHER	
14	91414012	1	LOCKWASHER	
15	91414013	1	BEARING NUT	
16	91414014	1	THRUST WASHER	
17	91414015	1	O-RING	
18	7017047	2	DOWEL PIN	
19	7024167	1	RING GEAR	
20	70021141	1	SECONDARY CARRIER SUB-ASSY, (includes item 16)	
21	70021146	1	PRIMARY CARRIER SUB-ASSY, (includes items 22 & 23)	
22	91414019	1	PRIMARY SUN GEAR	
23	91414020	1	RETAINING RING	
24	91414021	1	THRUST WASHER	
25	91414022	1	THRUST WASHER	
26	7024177	1	O-RING	
27	91414024	1	COVER	
28	7017094	3	MAGNETIC PIPE PLUG	
29	91414026	20	HEX HD BOLT	
30	91414027	1	RETAINING RING	

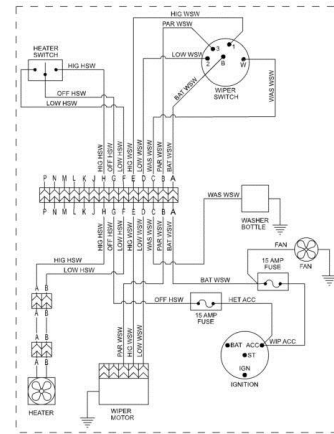
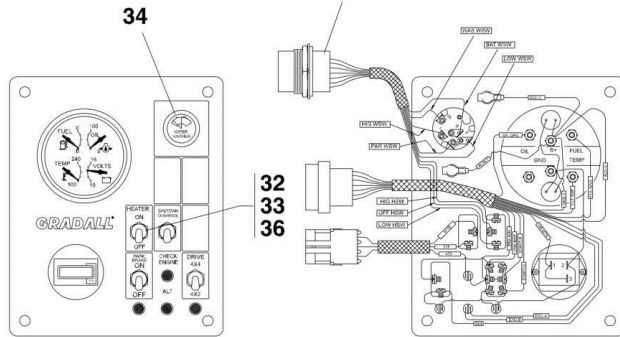
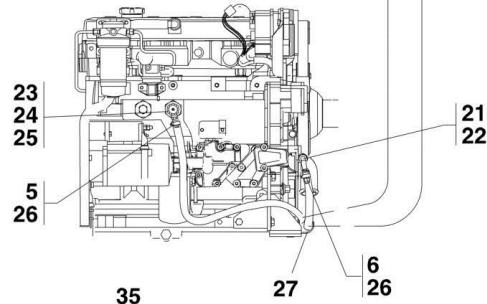
SECTION 6 - CAB

FIGURE 6-2. OPEN CAB (SN 0160012437 to Present, Including 0160012298)

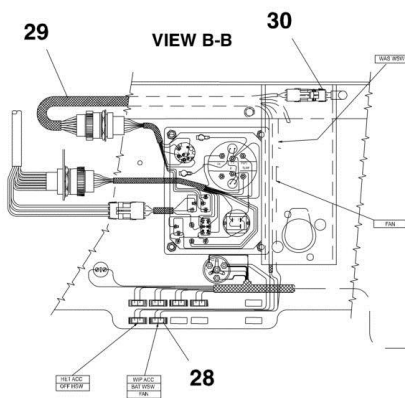
ITEM	PART NUMBER	QTY	DESCRIPTION	REV
	1040028	1	OPEN CAB, (includes all items)	H
1	91164094	1	ROPS WARNING DECAL	
2	80264111	2	ROUND PLUG, 1/2	
3	80264035	1	ROUND PLUG, 3/8	
4	91164087	1	ROUND PLUG, 3/4	
5	8036654	4	ROUND PLUG, 0.312	
6	7028939	26	HEX RIVNUT, 0.312-18	
7	7028940	1	SERIAL TAG	
8	7028941	1	GLASS, RH SIDE	
9	7028942	1	REAR GLASS	
10	3380582	1	DASH PANEL	
11	3380653	1	REAR CAB COVER	
12	91081475	1	HEATER PLATE COVER	
13	91141329	1	VALVE ACCESS COVER	
14	91361005	1	BELLY PAN COVER	
15	7029004	1	FENDER	
16		Ref	CAULK/PAINT, (not shown)	
17	80364009	AR	URETHANE, SIKA, (not shown)	
18	91404302	AR	ACTIVATOR, SIKA, (not shown)	



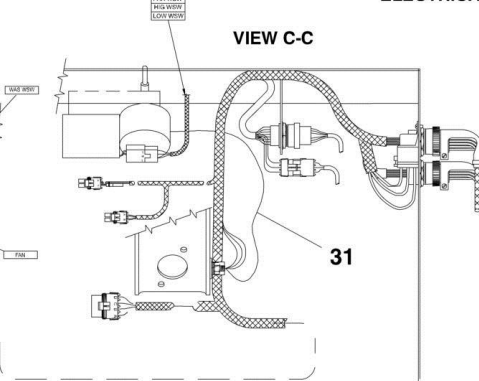
VIEW A-A



ELECTRICAL SCHEMATIC

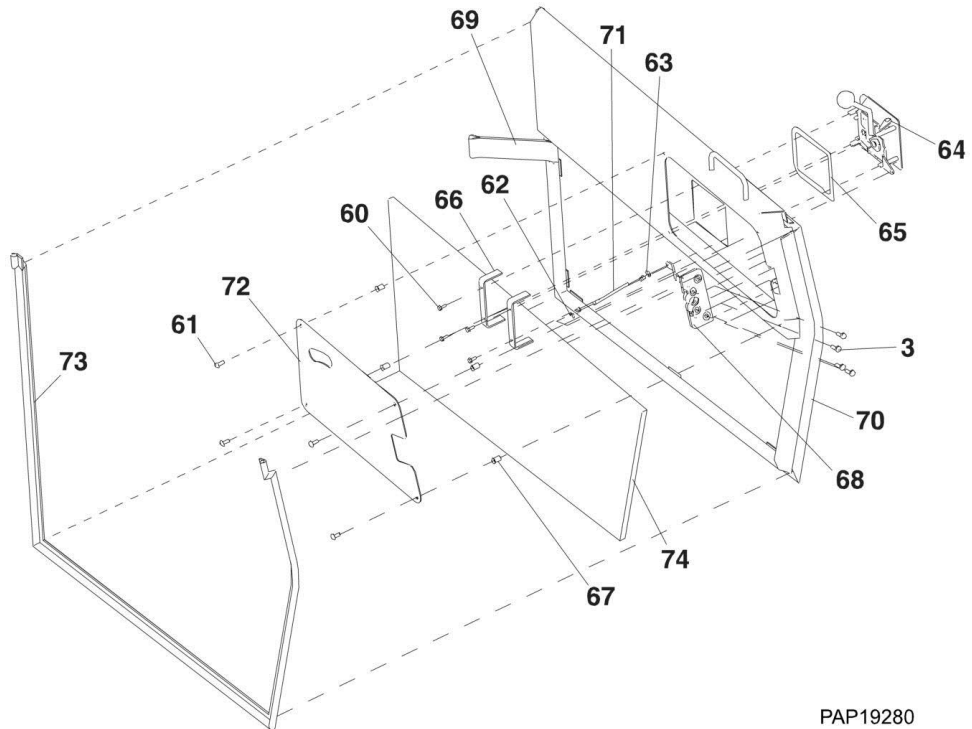
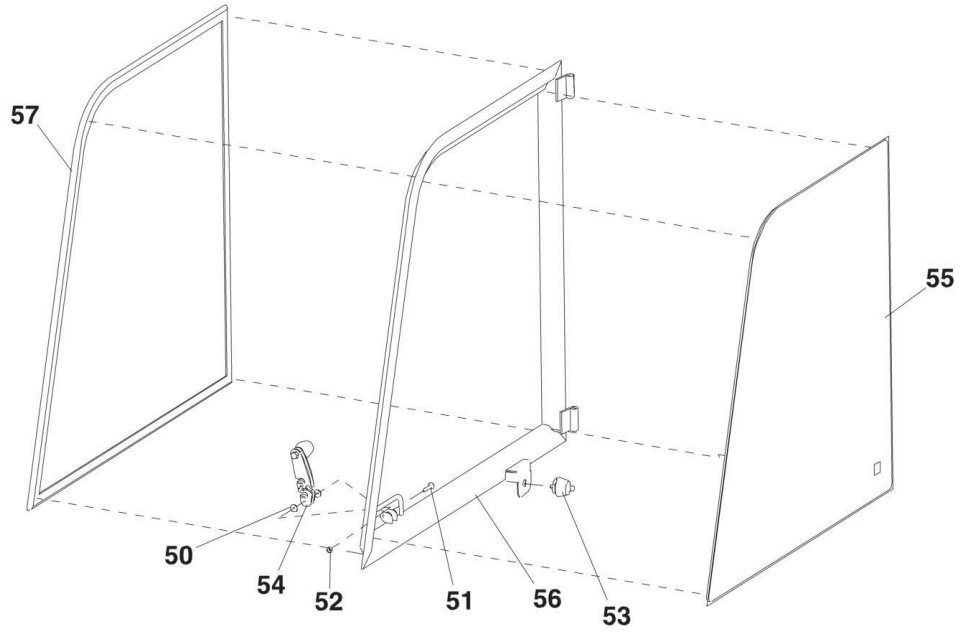


VIEW B-B



VIEW C-C

SECTION 6 - CAB



PAP19280

SECTION 6 - CAB

FIGURE 6-11. DASH PANEL ASSEMBLY (SN 0160000976 to Present)

ITEM	PART NUMBER	QTY	DESCRIPTION	REV
1		Ref	DASH HARNESS ASSY, (See ELECTRICAL SECTION for Breakdown)	
2		Ref	GAUGE PANEL WIRING HARNESS, (See GAUGE PANEL ASSEMBLY for Breakdown)	
3	88561003	1	FLAT WASHER, 1/2 (SN 0160000976 through 0160002224)	
4	24861170	1	CLAMP (SN 0160000976 through 0160012366, Excluding 0160012298)	
4	85941016	1	CLAMP (SN 0160012437 to Present, Including 0160012298)	
5	77143006	7	WHIZ-LOC NUT, 5/16-18	
6		Ref	ENGINE WIRING HARNESS, (See ELECTRICAL SECTION for Breakdown)	
7	88321029	1	SELF TAPPING SCREW, 10-24X3/8	
8		Ref	GAUGE PANEL, (See GAUGE PANEL ASSEMBLY for Breakdown)	
9	88261022	8	SOCKET BUTTON HD CAPSCREW, 5/16-18x3/4	
10	77143003	4	WHIZ-LOC SCREW, 5/16-18X5/8	
11	91361008	1	DASH PANEL (SN 0160000976 through 0160012366, Excluding 0160012298)	
11		Ref	DASH PANEL , (See OPEN CAB for Breakdown) (SN 0160012437 to Present, Including 0160012298)	
12	91141480	1	COVER (Prior to SN 0160024648)	
12		Ref	GUIDE PLATE , (See CONTROLS SECTION for Breakdown) (SN 0160024648 to Present)	
13	91093031	2	NYLON HOLE PLUG	

SECTION 7 - CONTROLS

FIGURE 7-2. BRAKE AND INCHING LINKAGE (SN 0160000239 through 0160000973)

ITEM	PART NUMBER	QTY	DESCRIPTION	REV
1	91343218	1	FOOT SWITCH	
2	88261011	2	SOCKET BUTTON HD CAPSCREW, #10-24X7/8	
3	91146108	1	BRAKE PEDAL	
4	91083136	4	BUSHING	
5	91146102	1	PEDAL WELDMENT	
6	88591205	2	O-RING	
7	88551009	7	LOCKWASHER, 1/4	
8	86683122	1	TIE WRAP	
9		Ref	ACCELERATOR CONTROL ASSY, (See ACCELERATOR PEDAL ASSEMBLY for Breakdown)	
10	88201003	3	HEX HD CAPSCREW, 1/4-20X3/4, GR5	
11	91143200	1	RELIEF VALVE	
12	91081445	1	PUSH ROD	
13	88501408	1	HEX JAM NUT, 1/2-20	
14	91083312	1	CAM ROLLER	
15	88551010	5	LOCKWASHER, 5/16	
16	88501405	1	HEX JAM NUT, 5/16-24	
17	91043214	1	SPRING	
18	90200284	1	SHAFT	
19	88441001	2	RING RETAINER	
20	88201021	1	HEX HD CAPSCREW, 5/16-18X1-1/4, GR5	
21	88501005	4	HEX NUT, 5/16-18	
22	91145088	1	INCHING VALVE ASSY, (includes items 33 thru 38)	
23	88212228	2	SOCKET HD CAPSCREW, 5/16-18x1-1/4, GR8	
24	91555011	1	BRAKE VALVE ASSY, (includes items 39 thru 42 & 44 thru 47)	
25	91145087	1	SOLENOID VALVE ASSY, (includes items 48 thru 52)	
26	88201008	4	HEX HD CAPSCREW, 1/4-20X1-3/4, GR5	
27	88561107	4	FLAT WASHER, 1/4	
28	91145086	1	RELIEF VALVE ASSY, (includes items 11 & 53 thru 57)	
29	91163109	1	HYDRAULIC TUBE	
30	91033138	1	TUBE CLAMP	
31	77133498	1	CLAMP COVER	
32	77133499	2	HEX HD CAPSCREW, 1/4-20X1-1/2, GR5	
33	2220473	2	ELBOW, 90, (includes item 49)	
34	88821004	2	YOKE END	
35	88501406	2	HEX JAM NUT, 3/8-24	
36	90027987	2	SPRING PIN	
37	91081332	1	LINKAGE ROD	
38		Ref	INCHING VALVE, (See HYDRAULIC COMPONENTS SECTION for Breakdown)	
39	2220671	1	ELBOW, 90, (includes item 41)	
40	84718688	1	HOSE ASSY	
41	88591206	2	O-RING	
42	2220371	1	ADAPTER, (includes item 49)	
43	88201022	3	HEX HD CAPSCREW, 5/16-18X1-1/2, GR5	
44	2220828	1	ELBOW, 90	
45	2220374	1	ADAPTER, (includes item 41)	
46	2220683	1	ELBOW, 45, (swivel nut)	
47		Ref	BRAKE VALVE, (See HYDRAULIC COMPONENTS SECTION for Breakdown)	

SECTION 7 - CONTROLS

FIGURE 7-9. JOYSTICK ASSEMBLY

ITEM	PART NUMBER	QTY	DESCRIPTION	REV
	91303037	1	JOYSTICK ASSY, (includes all items)	A
1	80934658	1	CAP	
2	80934656	1	HANDLE GRIP KIT	
3	80934241	1	BOOT	
4	80264140	1	CARDAN KIT, (includes item 5)	
5		Ref	SHIM	
6	91304026	1	RETAINING PLATE	
7	91504029	1	STANDARD SPRING, (pack of two), (port 2 & 4)	
8	80934498	4	PLUNGER AND GUIDE KIT	
9	91404327	4	REGULATING KIT	
10	91504028	1	HEAVY SPRING, (pack of two), (port 1 & 3)	
11	Kit	1	O-RING	
12	Kit	1	O-RING	
13	Kit	2	PIN	
14	Kit	1	O-RING	
15	Kit	1	SCREW	
16	N.S.S.	1	UPPER BODY	
17	N.S.S.	1	LOWER BODY	
K1	91404326	1	SEAL KIT, (includes items 11 thru 15)	

SECTION 8 - HYDRAULIC CIRCUITS

CLICK HERE TO **DOWNLOAD** THE COMPLETE MANUAL

- Thank you very much for reading the preview of the manual.
- You can download the complete manual from: www.heydownloads.com by clicking the link below



- Please note: If there is no response to CLICKING the link, please download this PDF first and then click on it.

CLICK HERE TO **DOWNLOAD** THE COMPLETE MANUAL

SECTION 8 - HYDRAULIC CIRCUITS

FIGURE 8-3. OIL SUPPLY AND PRESSURE LINES (SN 0160000976 to Present)

ITEM	PART NUMBER	QTY	DESCRIPTION	REV
1		Ref	HYDRAULIC RESERVOIR ASSY, (See HYDRAULIC COMPONENTS SECTION for Breakdown)	
2	2220473	2	ELBOW, 90, (includes item 36)	
3	8760268	1	ELBOW, 90, SWIVEL NUT	
4	84717304	1	HOSE ASSY	
5	84718201	1	HOSE ASSY	
6	84718700	1	HOSE ASSY	
7	2220861	1	SWIVEL NUT BRANCH TEE, 1/4 TUBE	
8	84718701	1	HOSE ASSY	
9		Ref	SOLENOID VALVE, (See HYDRAULIC COMPONENTS SECTION for Breakdown)	
10	80633030	2	BAND CLAMP	
11	91553038	1	HOSE ASSY	
12	91143087	1	INTAKE TUBE	
13	2220380	1	ADAPTER, (includes item 14)	
14	88591210	2	O-RING	
15	91143059	1	TUBE ASSY	
16	90028482	2	HOSE CLAMP	
17	77363128	1	HOSE ASSY	
18	2220582	1	ADAPTER, (includes item 36)	
19	91143121	1	SUCTION TUBE	
20	88591027	1	O-RING	
21	84711334	2	FLANGE CLAMP	
22	88201051	4	HEX HD CAPSCREW, 7/16-14X1-1/4, GR5	
23	88551012	4	LOCKWASHER, 7/16	
24		Ref	MAIN HYDRAULIC PUMP, (See HYDRAULIC COMPONENTS SECTION for Breakdown)	
25	88591024	1	O-RING	
26	84711333	2	FLANGE CLAMP	
27	88201036	4	HEX HD CAPSCREW, 3/8-16X1-1/4, GR5	
28	88551011	4	LOCKWASHER, 3/8	
29	84718639	1	HOSE ASSY	
30		Ref	HYDROSTATIC TRANSMISSION, (See HYDRAULIC COMPONENTS SECTION for Breakdown)	
31	2220628	1	ADAPTER, 90	
32	2220635	2	SWIVEL NUT RUN TEE, 3/8 TUBE	
33	77133447	1	HOSE ASSY	
34	2220497	1	ADAPTER, (includes item 42)	
35		Ref	TRACTION LOCK VALVE, (See HYDRAULIC COMPONENTS SECTION for Breakdown)	
36	88591204	4	O-RING	
37	2220371	1	ADAPTER, (includes item 36)	
38	2220579	1	SWIVEL NUT BRANCH TEE, 3/8 TUBE	
39	91163098	1	TUBE ASSY	
40	77133196	1	HOSE ASSY	
41		Ref	MAIN CONTROL VALVE, (See HYDRAULIC COMPONENTS SECTION for Breakdown)	
42	88591210	1	O-RING	
43	2220379	1	ADAPTER, (includes item 14)	
44	91143058	1	TUBE ASSY	
45	0641414	2	HEX HD CAPSCREW, 1/4-20X1-3/4, GR5	

SECTION 8 - HYDRAULIC CIRCUITS

ITEM	PART NUMBER	QTY	DESCRIPTION	REV
47	91163041	1	TUBE ASSY	
48	88201035	4	HEX HD CAPSCREW, 3/8-16X1, GR5	
49	88551011	4	LOCKWASHER, 3/8	
50	91213002	2	CLAMP SET	
51	88201023	4	HEX HD CAPSCREW, 3/8-16X1-3/4	
52	77133137	4	COVER PLATE	
53	91163069	2	CLAMP HALF	
54	91166055	1	RH TUBE SUPPORT, (shown)	
54	91166056	1	LH TUBE SUPPORT	
55	91163054	1	TUBE ASSY	
56	2220497	1	ADAPTER, (includes item 37)	
57	83201155	8	HEX HD CAPSCREW, 7/16-14X3/4	
58	2220700	1	SWIVEL NUT RUN TEE, 3/4 TUBE	
59	84718615	1	HOSE ASSY	
60	84718614	1	HOSE ASSY	
61	2220375	2	ADAPTER, (includes item 21)	
62	2220628	1	REDUCING ADAPTER, (includes item 21)	
63	84717304	1	HOSE ASSY	
64	77133447	1	HOSE ASSY	
65	91053020	2	TEST COUPLING	
66	91163098	1	TUBE ASSY	
67	2220579	1	SWIVEL NUT BRANCH TEE, 3/8 TUBE	
68	84718425	1	HOSE ASSY	
69	88561002	2	FLAT WASHER, 1/4	
70	88201008	2	HEX HD CAPSCREW, 1/4-20X1-3/4, GR5	
71	88551009	2	LOCKWASHER, 1/4	
72	84718355	1	HOSE ASSY	
73	77133279	7	CLAMP SET	
74	77133306	3	STACK BOLT	
75	88201023	4	HEX HD CAPSCREW, 5/16-18X1-3/4, GR5	
76	77133137	4	COVER PLATE	
77	77133390	4	SAFETY CLIP	
78	90027187	12	NYLON TIE, (not shown), (six needed per side for rear drive hoses)	
79	84718751	1	HOSE ASSY	
80	84718752	1	HOSE ASSY	
81	2151212	1	ELBOW, 45, (includes item 21)	
82	90023159	2	O-RING	

SECTION 8 - HYDRAULIC CIRCUITS

FIGURE 8-11. SERVICE/PARKING BRAKE

ITEM	PART NUMBER	QTY	DESCRIPTION	REV
1	8765204	1	ELBOW, 90, (swivel nut)	
2	91143172	1	TEST FITTING	
3	2220579	1	SWIVEL NUT BRANCH TEE, 3/8 TUBE	
4	84719115	1	HOSE ASSY	
5	84719847	1	HOSE ASSY	
6	77133136	3	CLAMP SET	
7	77133137	3	COVER PLATE	
8	88201023	3	HEX HD CAPSCREW, 5/16-18X1-3/4, GR5	
9		Ref	ELBOW, 90, (includes item 10), (See CONTROLS SECTION for Breakdown)	
10		Ref	O-RING, (See CONTROLS SECTION for Breakdown)	
11		Ref	SOLENOID VALVE ASSY, (See CONTROLS SECTION for Breakdown)	
12		Ref	BRAKE VALVE ASSY, (See CONTROLS SECTION for Breakdown)	
13		Ref	COPPER GASKET, (See CONTROLS SECTION for Breakdown)	
14		Ref	STRAIGHT THREAD ADAPTER, (See CONTROLS SECTION for Breakdown)	
15	77133390	2	SAFETY CLIP	
16	77133168	2	CLAMP SET	
17	77133389	2	STACKING BOLT	

SECTION 8 - HYDRAULIC CIRCUITS

FIGURE 8-16. LIFT CYLINDER

ITEM	PART NUMBER	QTY	DESCRIPTION	REV
1		Ref	LIFT CYLINDER ASSY, (See HYDRAULIC COMPONENTS SECTION for Breakdown)	
2	88591207	6	O-RING	
3	2220451	4	ADAPTER, (includes item 2)	
4	91163220	1	TUBE ASSY	
5	91163219	1	TUBE ASSY	
6	84718893	1	HOSE ASSY	
7	84718894	1	HOSE ASSY	
8	2220973	3	ELBOW, 90, (swivel nut)	
9		Ref	MAIN CONTROL VALVE, (See HYDRAULIC COMPONENTS SECTION for Breakdown)	
10	2220655	2	ELBOW, 90, (swivel nut)	
11	91163218	1	TUBE ASSY	
12	91163217	1	TUBE ASSY	
13	84718948	2	HOSE ASSY	
14	2220865	2	ADAPTER, (includes item 2)	
15	77133136	3	CLAMP	
16	88201023	2	HEX HD CAPSCREW, 5/16-1-3/4, GR5	
17	77133137	2	COVER PLATE	
18	91163198	1	RUBBER GROMMET	
19	77133306	1	STACK BOLT	
20	77133390	1	SAFETY CLIP	

SECTION 8 - HYDRAULIC CIRCUITS

FIGURE 8-21. STEERING CIRCUIT (SN 0160000976 through 0160001769, Excluding 0160001766)

ITEM	PART NUMBER	QTY	DESCRIPTION	REV
1	84718672	1	HOSE ASSY, (tank)	
2	8760268	1	ELBOW, 90, (swivel nut)	
3	88591205	6	O-RING	
4	2220373	2	ADAPTER, (includes item 3)	
5	2220372	1	ADAPTER, (includes item 3)	
6	2220596	1	ELBOW, 90, (includes item 3)	
7	84719977	1	HOSE ASSY, (left)	
8	84718951	1	HOSE ASSY, (pressure)	
9	84719057	1	HOSE ASSY, (right)	
10		Ref	STEERING COLUMN, (See CONTROLS SECTION for Breakdown)	
11		Ref	STEERING CONTROL UNIT, (See CONTROLS SECTION for Breakdown)	
12	88591203	1	O-RING	
13	2220466	1	ELBOW, 90, (includes item 12)	
14	84718860	1	HOSE ASSY	
15		Ref	FLOW DIVIDER ASSY, (See HYDRAULIC COMPONENTS SECTION for Breakdown)	
16	91143354	2	TUBE ASSY	
17	77133499	8	HEX HD CAPSCREW	
18	77133498	4	COVER PLATE	
19	91033138	4	CLAMP SET	
20	90022042	2	HOSE ASSY	
21		Ref	STEERING CYLINDER, (See HYDRAULIC COMPONENTS SECTION for Breakdown)	
22	88591204	2	O-RING	
23	2220473	2	ELBOW, 90, (includes item 22)	
24	84718202	2	HOSE ASSY	
25	90027187	4	TIE WRAP	
26	2220602	2	RUN TEE, (includes item 3)	

SECTION 8 - HYDRAULIC CIRCUITS

FIGURE 8-26. OUTRIGGER CYLINDER (SN 0355001 through 0455362, SN 0160000192 through 0160000973)

ITEM	PART NUMBER	QTY	DESCRIPTION	REV
1		Ref	OUTRIGGER CYLINDER ASSY, (See HYDRAULIC COMPONENTS SECTION for Breakdown)	
2		Ref	OUTRIGGER CYLINDER VALVE, (See HYDRAULIC COMPONENTS SECTION for Breakdown)	
3	88201040	6	HEX HD CAPSCREW, 3/8-16X2-1/4, GR5	
4	88551011	6	LOCKWASHER, 3/8	
5	88591012	4	O-RING	
6	88591204	4	O-RING	
7	2220371	4	ADAPTER, (includes item 6)	
8	84718737	4	HOSE ASSY	
9	2230024	4	BULKHEAD UNION, 9/16-18X3/8, TUBE	
10	84718738	4	HOSE ASSY	
11	91163128	1	TUBE ASSY	
12	91163127	1	TUBE ASSY	
13	91163126	1	TUBE ASSY	
14	91163125	1	TUBE ASSY	
15	77133168	7	CLAMP SET, (4 not illustrated)	
16	77133140	4	COVER PLATE, (2 not illustrated)	
17	77133177	4	HEX HD CAPSCREW, 5/16-18X1-3/8, (2 not illustrated)	
18	77133390	3	SAFETY CLIP, (2 not illustrated)	
19	77133389	3	STACK BOLT, (2 not illustrated)	
20	88501008	3	HEX NUT, 1/2-13	
21	88551013	3	LOCKWASHER, 1/2	
22	88201070	3	HEX HD CAPSCREW, 1/2-13X2-1/4, GR5	
23		Ref	OUTRIGGER CONTROL VALVE, (See HYDRAULIC COMPONENTS SECTION for Breakdown)	
24	88591207	4	O-RING	
25	2221048	4	ELBOW, 90, (includes item 24)	
26	8760268	2	ELBOW, 90, (swivel nut)	
27	88591209	3	O-RING	
28	2220435	2	ADAPTER, (includes item 27)	
29	88591207	1	O-RING	
30	2220465	1	ELBOW, 90, (includes item 27)	
31	84719224	1	HOSE ASSY	
32	84718680	1	HOSE ASSY	
33	2220578	1	ELBOW, 90, (includes item 29)	
34		Ref	MAIN CONTROL VALVE, (See HYDRAULIC COMPONENTS SECTION for Breakdown)	
35	91163246	2	ORIFICE FITTING, (port C2)	
36	84718682	2	HOSE ASSY	
37	84718696	1	HOSE ASSY	
38	84718695	1	HOSE ASSY	

SECTION 9 - HYDRAULIC COMPONENTS

SECTION 9 - HYDRAULIC COMPONENTS

FIGURE 9-5. CROWD CYLINDER (SN 0160017525 to Present)

ITEM	PART NUMBER	QTY	DESCRIPTION	REV
	91553070	1	CROWD CYLINDER, (includes items 1 thru 206)	A
1	7029756	1	BARREL ASSY	
2	7029757	1	ROD ASSY	
3	7029758	1	PISTON ASSY, (includes items 101 thru 104)	
4	7029759	1	ROD BEARING ASSY, (includes items 201 thru 206)	
5	91014066	1	NUT	
6	7029760	1	CAPSCREW	
7	7029761	1	STROKE LIMITER	
8	7029762	1	VALVE BLOCK	
9	7029763	4	CAPSCREW	
13	7029765	1	O-RING	
14	7029766	2	O-RING	
101	Kit	1	PISTON SEAL	
102	Kit	1	O-RING	
103	Kit	1	WEAR RING	
104	Kit	1	O-RING	
201	Kit	1	ROD SEAL	
202	Kit	1	BUFFER	
203	Kit	1	WIPER	
204	Kit	1	O-RING	
205	Kit	1	BACK-UP	
206	Kit	1	WEAR RING	
315	91161136	1	CROWD CYLINDER PIN	
316	91161137	1	CROWD CYLINDER PIN	
327	88581149	4	SNAP RING	
K1	7029981	1	PISTON SEAL KIT, (includes items 101 thru 104)	
K2	7029982	1	ROD BEARING SEAL KIT, (includes items 201 thru 206)	
K3	91164004	1	CYLINDER SEAL KIT, (includes items 101 thru 206)	

SECTION 9 - HYDRAULIC COMPONENTS

FIGURE 9-10. SWAY CYLINDER (Prior to SN 0160033224)

ITEM	PART NUMBER	QTY	DESCRIPTION	REV
	91143007	1	SWAY CYLINDER, (includes items 1 thru 18)	G
1	91064016	3	BUSHING	
2	88671001	3	GREASE FITTING	
3	91144032	1	CASE ASSY	
4	91144017	1	CAPSCREW, #8X32X0.375	
5	91064017	1	LOCKNUT, (torque 650-700 lb-ft)	
6	Kit	2	WEAR RING	
7	Kit	1	PISTON SEAL	
8	Kit	1	O-RING	
9	Kit	1	O-RING	
10	91144033	1	PISTON	
11	Kit	1	O-RING	
12	Kit	1	BACK-UP RING	
13	91144034	1	CYLINDER HEAD	
14	Kit	1	WEAR RING	
15	Kit	1	STEP SEAL	
16	Kit	1	U-CUP	
17	Kit	1	WIPER	
18	91144035	1	ROD ASSY	
19	91403226	1	PIN	
20	90028935	4	RETAINING RING	
21	91403225	1	PIN	
K1	91144005	1	SEAL KIT, (includes items 6, 7, 8, 9, 11, 12 & 14 thru 17)	

SECTION 9 - HYDRAULIC COMPONENTS

FIGURE 9-15. STABILIZER CYLINDER (SN 0355001 through 0455362, SN 0160000192 through 0160017472)

ITEM	PART NUMBER	QTY	DESCRIPTION	REV
	91163045	1	STABILIZER CYLINDER, (includes items 7 thru 25)	J
1	91166062	2	CYLINDER PIN	
2	88551013	4	LOCKWASHER, 1/2	
3	88561111	6	FLAT WASHER, 1/2	
4	88201066	4	HEX HD CAPSCREW, 1/2-13X1-1/4, GR5	
5	88201065	2	HEX HD CAPSCREW, 1/2-13X1, GR5	
6	91161269	2	PIN KEEPER	
7	91164028	1	CASE ASSY	
8	91124096	1	CAPSCREW	
9	91064017	1	LOCKNUT	
10	Kit	2	WEAR RING	
11	Kit	1	PISTON SEAL	
12	Kit	1	O-RING	
13	91044033	1	PISTON	
14	Kit	1	O-RING	
15	Kit	1	O-RING	
16	Kit	1	BACK-UP RING	
17	91144034	1	CYLINDER HEAD	
18	Kit	1	WEAR RING	
19	Kit	1	STEP SEAL	
20	Kit	1	U-CUP	
21	91124103	1	WIPER	
22	91164029	1	SHAFT ASSY	
23	91144128	1	GREASE FITTING	
24	91164030	1	BUSHING	
25	91164031	2	BUSHING	
K1	91144005	1	SEAL KIT, (includes items 10, 11, 12, 14, 15, 16, 18, 19 & 20)	

SECTION 9 - HYDRAULIC COMPONENTS

FIGURE 9-20. FLOW DIVIDER ASSEMBLY

ITEM	PART NUMBER	QTY	DESCRIPTION	REV
	91155022	1	FLOW DIVIDER ASSY, (includes all items except item 6, 103 & 105)	D
1	91161272	1	FLOW DIVIDER BRACKET	
2	88501005	2	HEX NUT, 5/16-18	
3	88551010	2	LOCKWASHER, 5/16	
4	88561003	4	WASHER, 5/16	
5	88201027	2	HEX HD CAPSCREW, 5/16-18X2-3/4, GR5	
6	0641526	2	HEX HD CAPSCREW, 5/16-18X3-1/4, GR5	
7	2220473	1	ELBOW, 90, (includes item 8)	
8	88591204	1	O-RING	
9	91163211	1	FLOW DIVIDER, (includes item 27)	
10	2220623	1	REDUCER, (includes nut)	
12	2221026	1	RUN TEE, (includes item 13)	
13	88591209	2	O-RING	
14	2220465	1	ELBOW, 90, (includes item 13)	
15	2220594	1	SWIVEL NUT ADAPTER	
16	2220466	3	ELBOW, 90, (includes item 17)	
17	88591202	3	O-RING	
18	91163071	1	FLOW DIVIDER	
18	91144062	1	FLOW DIVIDER SEAL KIT	
19	2220376	1	ADAPTER, (includes item 20)	
20	88591207	1	O-RING	
21	88591205	1	O-RING	
22	2220602	1	RUN TEE, (includes item 21)	
23	2220618	1	REDUCER, (includes nut)	
25	84718692	1	HOSE ASSY	
26	8765204	1	ELBOW, 90, (swivel nut)	
27	91164103	1	CARTRIDGE	
27	91164106	1	CARTRIDGE SEAL KIT	
103	4751500	2	PLAIN WASHER, 5/16	
105	4761500	2	LOCKWASHER, 5/16	

SECTION 9 - HYDRAULIC COMPONENTS

FIGURE 9-25. THERMAL BYPASS VALVE ASSEMBLY

ITEM	PART NUMBER	QTY	DESCRIPTION	REV
	91145067	1	THERMAL BYPASS VALVE ASSY, (includes items 1 thru 9)	D
1	91143338	1	BYPASS VALVE	
1	80974021	1	ELEMENT KIT	
2	88201045	2	HEX HD CAPSCREW, 3/8-16X3-1/2, GR5	
3	2220646	2	ELBOW, 90, (includes item 4)	
4	88591209	3	O-RING	
5	2220377	1	ADAPTER, (includes item 4)	
6	91143274	1	TUBE ASSY	
7	91146087	1	BRACKET, (includes item 9)	
8	77143015	2	WHIZ-LOCKNUT	
9	N.S.S.	2	WELD NUT	
10	91141432	1	RECTANGULAR WASHER	
11	4761600	2	LOCKWASHER, 3/8	
12	0641610	2	HEX HD CAPSCREW, 3/8-16X1-1/4, GR5	

SECTION 9 - HYDRAULIC COMPONENTS

FIGURE 9-29. MAIN CONTROL VALVE (SN 0160037964 to Present)

ITEM	PART NUMBER	QTY	DESCRIPTION	REV
	1001109348	1	MAIN CONTROL VALVE ASSY, (includes all items except items 48 thru 51)	
1	91144162	1	L.E. INLET COVER ASSY, (includes items 2 thru 5)	
2	N.S.S.	2	PLUG, (includes item 3)	
3	N.S.S.	2	O-RING	
4	70021683	1	MAIN RELIEF VALVE - 3000 PSI, (includes item 5)	
5	91034236	1	MAIN RELIEF SEAL KIT, (note: only external seals can be serviced in the field)	
6	91164066	2	LIFT AND CROWD SECTIONS, (includes four of item 7, plus two of items 9, 22 & 31)	
7	91144256	4	PLUG KIT, (includes item 8)	
8	91144257	4	PLUG SEAL KIT	
9	N.S.S.	2	HR POSITIONER ASSY 'A' END, (includes items 10 thru 21)	
10	N.S.S.	4	O-RING	
11	N.S.S.	4	SPACER	
12	N.S.S.	4	O-RING	
13	N.S.S.	4	SPRING ASSY, (includes items 14, 15, 16 & 17)	
14	N.S.S.	8	STOP COLLAR	
15	N.S.S.	2	SPRING	
16	N.S.S.	2	SPACER	
17	N.S.S.	4	SPUD	
18	N.S.S.	4	BONNET ASSY, (includes items 19, 20 & 21)	
19	N.S.S.	16	BEARING PLATE	
20	N.S.S.	16	LOCKWASHER	
21	N.S.S.	16	SCREW	
22	N.S.S.	2	HR POSITIONER ASSY 'B' END, (includes items 10, 11, 12, 14, 17 thru 21, 24, 25 & 26)	
23	N.S.S.	2	SPRING ASSY, (includes items 14, 17, 24, 25 & 26)	
24	N.S.S.	2	SPRING	
25	N.S.S.	2	SPRING	
26	N.S.S.	2	STOP COLLAR	
28	91164066	2	TILT AND AUX SECTIONS, (includes items 29 & 30, two of items 31 & 32)	
29	91144255	4	RELIEF VALVE - 3000 PSI, (includes item 30)	
30	91034236	4	RELIEF VALVE SEAL KIT, (note: only external seal can be serviced in the field)	
31	N.S.S.	5	4-WAY SPOOL, (not available for service, order individual work sections as needed)	
32	N.S.S.	3	SPOOL POSITIONER KIT, (includes items 33 thru 36)	
33	N.S.S.	6	SCREW	
34	N.S.S.	3	BONNET	
35	N.S.S.	3	SPOOL COLLAR	
36	N.S.S.	6	SPRING COLLAR	
37	N.S.S.	3	SPRING	
38	N.S.S.	6	SPOOL SEAL KIT	
39	N.S.S.	3	SPOOL RETAINER KIT	
40	91164166	1	SWAY SECTION, (includes one each of items 31, 32 & 41)	
41	91144260	2	RELIEF VALVE, 3000 PSI, (includes item 30)	
42	Kit	12	O-RING, (included in section seal kit, six kits required to service entire valve)	
43	Kit	6	O-RING, (included in section seal kit, six kits required to service entire valve)	

SECTION 9 - HYDRAULIC COMPONENTS

FIGURE 9-33. HYDROSTATIC TRANSMISSION (SN 0355001 through 0455362, SN 0160000192 through 0160000973)

ITEM	PART NUMBER	QTY	DESCRIPTION	REV
	91163048	1	HYDROSTATIC TRANSMISSION PUMP, (includes all items)	B
1	Kit	2	SNAP RING	
2	Kit	1	SHAFT SEAL	
3	91144413	1	SHAFT ASSY	
4	91084319	1	HOUSING ASSY	
5	91084320	2	PIN	
6	Kit	4	PLUG	
7	Kit	4	O-RING	
8	91084321	2	BUSHING	
9	91084322	1	STROKING PISTON ASSY	
10	91084323	1	STROKING PISTON COVER KIT, (includes items 7 & 11)	
11	70020334	8	CAPSCREW, M8X20	
12	80934084	5	PLUG, (includes item 36)	
13	91144093	2	STROKING ORIFICE	
14	Kit	1	O-RING	
15	91084324	1	DA CONTROL ASSY, (includes items 16 & 17)	
16	91084038	1	HERSHMAN ADAPTER, (black)	
17	91084039	1	HERSHMAN ADAPTER, (gray)	
18	Kit	2	O-RING	
19	80934082	2	PLUG, (includes item 18)	
20	91084325	1	STROKING PISTON COVER KIT, (includes items 7 & 11)	
21	91144094	1	JAM NUT	
22	Kit	1	SEAL NUT	
23	91144095	1	ECCENTRIC SCREW	
24	91084326	1	ROTARY GROUP ASSY	
25	Kit	1	O-RING	
26	91084327	3	PLUG	
27	Kit	1	O-RING	
28	Kit	1	O-RING	
29	91084328	1	POR ASSY, (includes items 27 & 28)	
30	80934340	1	PLUG, (includes item 31)	
31	Kit	1	O-RING	
32	70022729	2	RELIEF VALVE, (includes one each of items 33 thru 35)	
33	Kit	3	O-RING	
34	Kit	2	O-RING	
35	Kit	3	O-RING	
36	Kit	5	O-RING	
37	91084329	1	WEAR PLATE	
38	91144412	1	O-RING	
39	91084330	1	THRU CHARGE PUMP ASSY, (includes items 37, 38, 40 & 41)	
40	91084331	4	CAPSCREW, M12X35	
41	91144411	1	O-RING	
42	91144099	1	DA CARTRIDGE ASSY	
43	91144098	1	CHARGE PRESSURE RELIEF VALVE, (includes item 35)	
44	91084332	1	PORT BLOCK ASSY, (includes items 25 thru 29)	
45	91144410	1	REAR BUSHING	
K1	91364143	AR	SEAL KIT, (includes items 1, 2, 6, 7, 12, 14, 18, 19, 22, 25, 26, 27, 28, 30, 31, 33, 34, 35, 36, 38, 41, 42 & additional items not illustrated)	

SECTION 9 - HYDRAULIC COMPONENTS

FIGURE 9-38. OPTIONAL STABILIZER VALVE ASSEMBLY (SN 0355001 through 0355496)

ITEM	PART NUMBER	QTY	DESCRIPTION	REV
	91165031	1	STABILIZER VALVE ASSY, (includes all items)	
	91163164	1	STABILIZER VALVE, (includes items 1 thru 7)	
1		Ref	VALVE BODY, (not sold separately, order 91163164)	
2	10837580	1	CHECK VALVE	
2	7010543	1	CHECK VALVE SEAL KIT	
3	8036581	2	SOLENOID VALVE	
3	7017496	2	SOLENOID VALVE SEAL KIT	
4	7021610	2	COIL	
5	91164057	1	PORT PLUG	
5	91164058	1	PORT PLUG SEAL	
6	91164059	2	PORT PLUG	
6	91164060	2	PORT PLUG SEAL	
7	91164063	1	ORIFICE PLUG	
8	88591206	1	O-RING	
9	2220374	1	ADAPTER, (includes item 8)	
10	2220683	1	ELBOW, 45, (swivel nut)	
11	88591205	2	O-RING	
12	2220596	2	ELBOW, 90, (includes item 11)	

SECTION 9 - HYDRAULIC COMPONENTS

FIGURE 9-43. 72 IN 90, SWING CARRIAGE CYLINDER

ITEM	PART NUMBER	QTY	DESCRIPTION	REV
	1001103182	1	SWING CARRIAGE CYLINDER, (includes items 1 thru 22)	B
1	70022044	1	TUBE ASSY	
2	8035863	1	PISTON	
3	8035862	1	HEAD GLAND	
4	70022045	1	ROD ASSY	
5	70022046	1	BEARING	
6	8035536	2	SET SCREW, 5/16-18X1/2	
7	70020428	1	RELIEF VALVE, (preset to 2000 psi)	
7	7024574	1	SEAL KIT	
8	8033786	1	COUNTER BALANCE VALVE, (preset to 3000 psi)	
8	8205655	1	SEAL KIT	
9	70021812	1	TAMPERROOF CAP	
11	Kit	1	O-RING	
12	Kit	1	O-RING	
13	Kit	1	O-RING	
14	Kit	1	SQUARE RING	
15	Kit	1	BACK-UP RING	
16	Kit	1	SEAL	
17	Kit	1	PISTON SEAL	
18	Kit	1	ROD WIPER	
19	Kit	2	WEAR BAND	
20	Kit	1	WEAR BAND	
21	Kit	2	LOCKING INSERT	
22	Kit	2	LOCKING INSERT	
K1	2915023	1	SEAL KIT, (includes items 11 thru 22)	

SECTION 10 - ELECTRICAL

FIGURE 10-1. BATTERY AND CABLES (Prior to SN 0160035037, Including 0160035922)

ITEM	PART NUMBER	QTY	DESCRIPTION	REV
1	91083483	1	BATTERY, (12 volt, 1000 amps), TOP STUD, 3/8-16 UNC THREAD, BCI GROUP 31	C
2	77383567	2	BATTERY POST TERMINAL	
3	91143124	1	NEGATIVE BATTERY CABLE (SN 0355001 through 0160000973)	
3	91553025	1	NEGATIVE BATTERY CABLE (SN 0160000976 to Present)	
4	91143099	1	POSITIVE BATTERY CABLE (SN 0355001 through 0160000973)	
4	91553026	1	POSITIVE BATTERY CABLE (SN 0160000976 through 0160006990)	
4	91553065	1	POSITIVE BATTERY CABLE (SN 0160006997 to Present)	
5	85941017	4	SUPPORT CLAMP	
6	91081640	2	HOLD DOWN STUD	
7	91141429	1	BATTERY HOLD DOWN	
8	77143006	2	WHIZ-LOCKNUT, 5/16-18	
9	77143015	1	WHIZ-LOCKNUT, 3/8-16	
10	77143003	2	WHIZ-LOCK SCREW, 5/16-18X5/8	
10	14403416	AR	DI-ELECTRIC GREASE, (add to caps of jump terminals on battery cables)	

SECTION 10 - ELECTRICAL

FIGURE 10-6. DASH HARNESS ASSEMBLY (SN 0160000976 to Present)

ITEM	PART NUMBER	QTY	DESCRIPTION	REV
	91555009	Ref	DASH HARNESS ASSY, (enclosed cab), (includes item 1) (Prior to SN 0160036260)	B
	1001101493	Ref	DASH HARNESS ASSY, (enclosed cab), (includes item 1) (SN 0160036260 to Present)	B
1	91553024	1	DASH HARNESS, (open cab), (includes items 5 thru 19) (Prior to SN 0160036260)	D
1	1001095326	1	DASH HARNESS, (open cab), (includes items 5 thru 21) (SN 0160036260 to Present)	C
2	91033317	1	IGNITION SWITCH	
3	77363268	4	FUSE, 15 AMP	
4	24771004	1	BUTTON	
5	80963057	2	WEATHER PACK CONNECTOR	
6	4460457	11	FEMALE PIN TERMINAL	
7	91364009	5	CABLE SEAL	
8	91363021	1	MOLDED DIODE	
9	77363225	2	RECEPTACLE CONNECTOR	
10	77363264	2	PANEL NUT	
11	91364010	1	PANEL NUT	
12	83481286	1	PANEL NUT	
13	91363054	1	RELAY	
14	4460374	1	CONNECTOR	
15	91364012	1	TERMINAL	
16	91364013	1	WEATHER PACK CONNECTOR	
17	91364014	1	FEMALE PIN TERMINAL	
18	80963065	1	CABLE SEAL	
19	80963059	2	WEATHER PACK CONNECTOR	
20	4460475	3	MALE PIN TERMINAL	
21	4460476	1	WEATHER PACK CONNECTOR	

SECTION 10 - ELECTRICAL

FIGURE 10-11. ECU ENGINE HARNESS (SN 0160000976 through 0160034720, Including 0160035922)

ITEM	PART NUMBER	QTY	DESCRIPTION	REV
	91553028	1	ECU ENGINE HARNESS, (includes all items)	E
1	1001120899	1	CONNECTOR	
2	91554014	23	FEMALE TERMINAL	
3	1001116975	1	CONNECTOR	
4	4460943	5	CONTACT	
5	4460466	6	SEALING PLUG	
6	77363246	1	CONNECTOR COVER	
7	91554017	1	CONNECTOR	
8	91503106	1	WEDGE LOCK	
9	77363228	8	PIN CONT, #16	
10	77363242	2	CONNECTOR	
11	91554019	2	LOCK	
12	4460944	4	CONTACTS	
13	8220553	2	TERMINAL	
14	91554022	2	LOCK	
15	91504086	1	CONNECTOR ASSY	
16	91554023	10	CONNECTOR PLUG	
17	4460955	4	TOWER	
18	4460842	8	MALE TERMINAL	
19	91554026	1	TOWER	
20	91554027	2	TERMINAL	
21	80963065	2	CABLE SEAL, GREEN	
22	1001103564	1	SECONDARY LOCK	
23	80963055	1	TOWER	
24	4460790	1	TERMINAL	
25	80963067	2	CABLE SEAL, BLUE	
26	80963056	1	SHROUD	
27	4460850	1	TERMINAL	

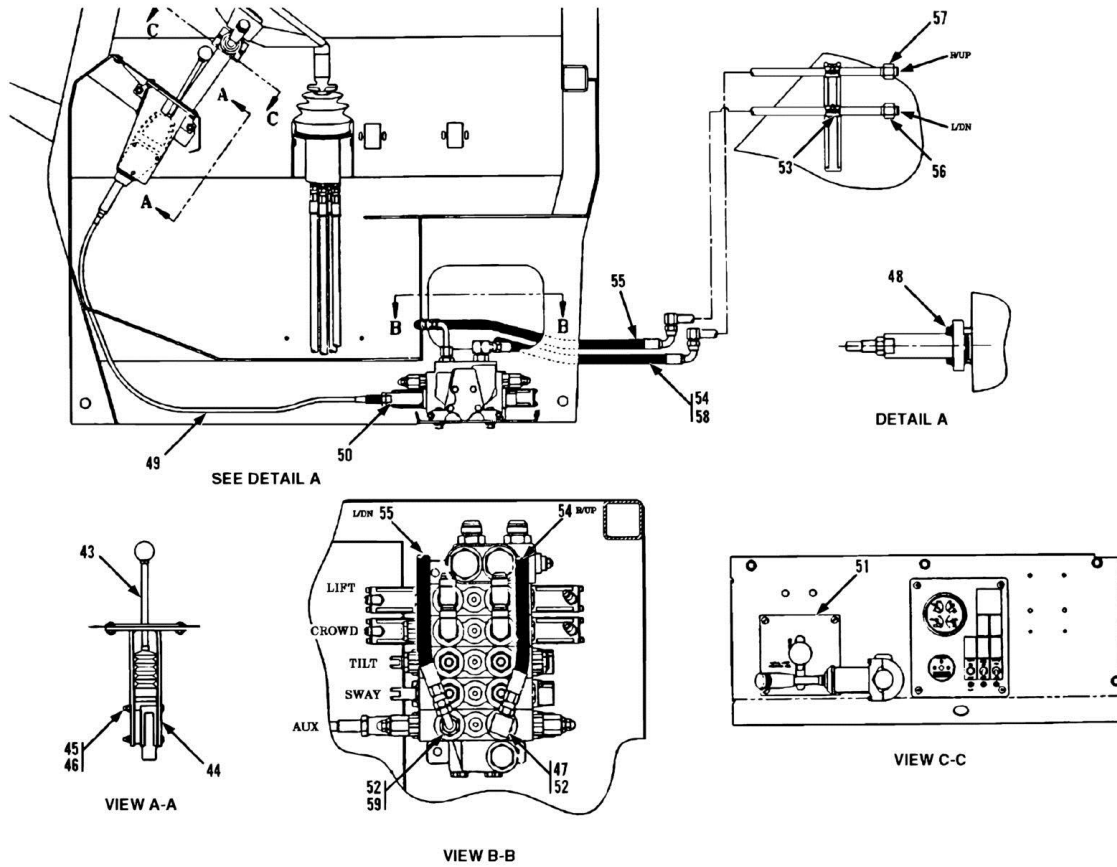
SECTION 10 - ELECTRICAL

FIGURE 10-15. COLD START (SN 0160035037 to Present, Excluding 0160035922)

ITEM	PART NUMBER	QTY	DESCRIPTION	REV
52	8307219	4	WASHER, M6	
53	1001102112	1	COLD START RELAY BRACKET	
54	7301448	1	GRID HEATER CABLE, FUSE TO RELAY	
55	7301524	1	GRID HEATER CABLE, BATTERY TO FUSE	
56	7301525	1	GRID HEATER CABLE, RELAY TO GRID HEATER	
57	8225122	1	RELAY, 12VDC	
58	8229260	1	FUSE HOLDER	
59	8303545	4	HEX HD CAPSCREW, M6X1X14	
60	1001095336	1	FUSE, 150A	
64	0641405	2	HEX HD CAPSCREW, 1/4-20X5/8	
65	4761400	2	LOCKWASHER, 1/4	

SECTION 12 - OPTIONS

SECTION 12 - OPTIONS



SECTION 12 - OPTIONS

ITEM	PART NUMBER	QTY	DESCRIPTION	REV
40	88561105	2	FLAT WASHER, #10	
41	77163204	2	SWITCH	
42	77383470	2	SWITCH BOOT	
43	88301088	2	ROUND HD MACHINE SCREW, #10-24X3/8	

SECTION 12 - OPTIONS

FIGURE 12-13. ENGINE BLOCK HEATER (SN 0355001 through 0455362, SN 0160000192 through 0160000973)

ITEM	PART NUMBER	QTY	DESCRIPTION	REV
	91043353	1	BLOCK HEATER	

SECTION 12 - OPTIONS

FIGURE 12-18. SWING VALVE KIT

ITEM	PART NUMBER	QTY	DESCRIPTION	REV
	90553023	2	SWING VALVE ASSY, (includes all items)	
1	90554015	1	CHECK VALVE ASSY, (includes items 3 thru 5)	
2	N.S.S.	1	RETAINER	
3	N.S.S.	1	SPRING	
4	N.S.S.	1	BALL AND SPRING GUIDE ASSY	
5	N.S.S.	1	CAGE	
6	88211034	4	SOCKET HD CAPSCREW, #10-24X1-1/2, GR8	
7	90553014	1	PILOT VALVE, (includes items 10 & 14)	
8	N.S.S.	1	VALVE BODY	
9	90554004	2	COUNTERBALANCE VALVE ASSY	
10	N.S.S.	1	CARTRIDGE	
11	2220466	1	ELBOW, 90, (includes item 12)	
12	88591202	1	O-RING	
13	N.S.S.	1	ORIFICE	
14	N.S.S.	1	PISTON	
K1	90554002	1	SWING VALVE SEAL KIT, (contains enough seals needed to service one swing valve assembly)	

SECTION 12 - OPTIONS

FIGURE 12-22. WORK LIGHT PACKAGE (SN 0355001 through 0455497, SN 0160000192 through 0160012366, Excluding 0160012298)

ITEM	PART NUMBER	QTY	DESCRIPTION	REV
	91365003	1	WORK LIGHT PACKAGE, (includes all items except items 42, 43, 45 & 47)	J
1	90027214	4	RUBBER GROMMET	
2	86883260	3	EYELET	
3	80963050	3	UTILITY FLOOD LIGHT	
4	91361001	1	RH LIGHT SUPPORT	
5	90027319	4	DR. AND TAP SCREW, 1/4-20X1	
6	91361002	1	LH LIGHT SUPPORT	
7	80963055	4	WEATHER PACK CONNECTOR, (tower)	
8	80963056	4	WEATHER PACK CONNECTOR, (shroud)	
9	80963068	4	WEATHER PACK CONNECTOR, (female pin)	
10	4460475	8	WEATHER PACK CONNECTOR, (male pin)	
11	80963066	12	WEATHER PACK CONNECTOR, (cable seal)	
12	91363008	1	LIGHT HARNESS	
13	91033425	1	RUBBER GROMMET	
14	91033380	1	RUBBER GROMMET	
15	24861167	1	INTERIOR LIGHT	
16	91361003	1	MOUNTING BRACKET	
17	88321022	2	SELF-TAPPING SCREW, #8-32X3/8	
18	90029955	1	RUBBER GROMMET	
19	89981036	3	PAN HD SCREW, #8-32X3/8	
20	88501610	3	HEX NUT, #8-32	
21	77383410	1	RELAY	
22	91143117	1	STOPLIGHT SWITCH	
23	91141512	1	TAB	
24	88201002	1	HEX HD CAPSCREW, 1/4-20X5/8, GR5	
25	88561107	1	FLAT WASHER, 1/4	
26	88551009	6	LOCKWASHER, 1/4	
27	82033996	AR	WIRE LOOM, (use on all wires)	
28	91121145	1	TAIL LIGHT HOUSING	
29	91121146	1	TAIL LIGHT BRACKET	
30	91365045	1	TAIL LIGHT ASSY, (includes the following seven items)	
30	91123065	1	TAIL LIGHT	
30	86661147	38 in	WIRE, 16 GAUGE, (black)	
30	86661149	38 in	WIRE, 16 GAUGE, (green)	
30	86661152	38 in	WIRE, 16 GAUGE, (red)	
30	86683480	3	BUTT CONNECTOR	
30	82033996	45 in	WIRE LOOM	
30	86683122	2	TIE WRAP	
31	88201108	1	HEX HD CAPSCREW, 3/4-10X1-1/4, GR5	
32	88561115	1	FLAT WASHER, 3/4	
33	88551016	1	LOCKWASHER, 3/4	
34	91141364	1	JUMPER WIRE	
35	85941017	1	SUPPORT CLAMP	
36	91363087	1	TAIL LIGHT HARNESS	
37	80963062	1	WEATHER PACK CONNECTOR, (shroud)	
38	85611274	5	WELD STUD, 1/4-20X5/8	
39	86621230	10	SUPPORT CLAMP	
40	88501004	5	HEX NUT, 1/4-20	

SECTION 12 - OPTIONS

FIGURE 12-25. FOAM TIRE OPTION

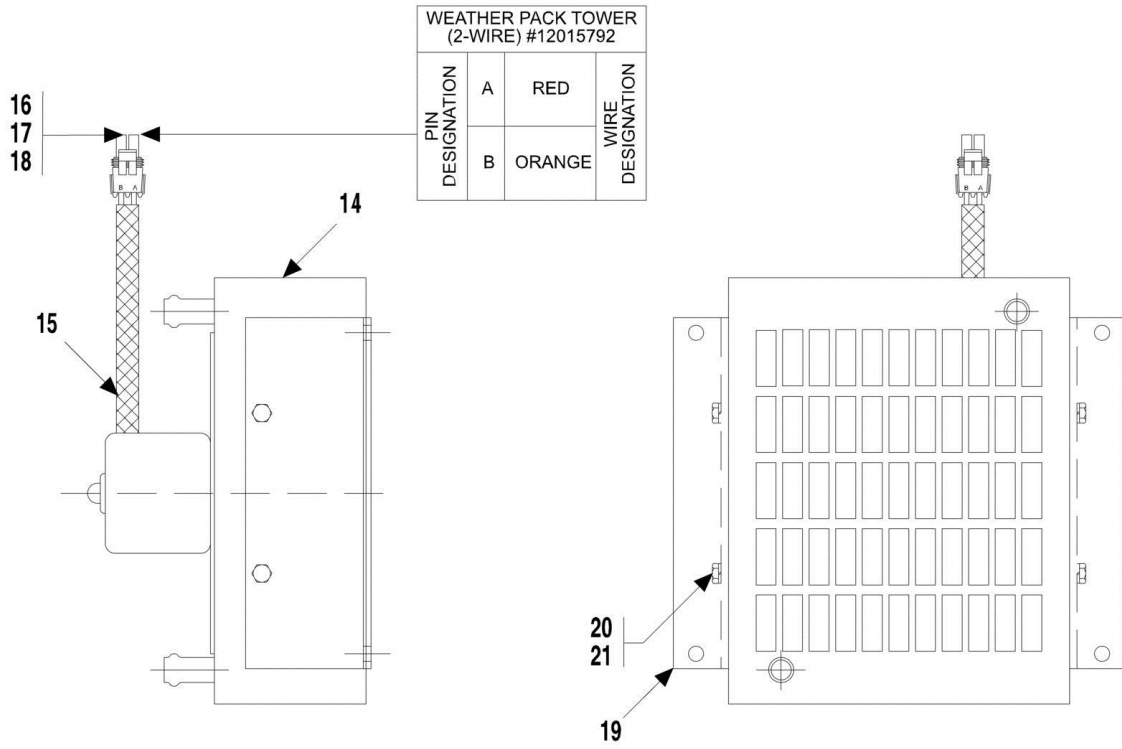
ITEM	PART NUMBER	QTY	DESCRIPTION	REV
	91365004	1	FOAM TIRE OPTION, (includes items 1 thru 4)	A
1	91045058	2	FOAM FILLED TIRE ASSY	
2	91045059	2	FOAM FILLED TIRE ASSY	
3	91153050	4	TIRE DECAL	
4	N.S.S.	1	S/N AND ATTACHMENT PLATE	

SECTION 12 - OPTIONS

FIGURE 12-30. 5-BUTTON AUXILIARY HANDLE ASSEMBLY (Prior to SN 0160024648)

ITEM	PART NUMBER	QTY	DESCRIPTION	REV
	91345022	1	5-BUTTON AUX. HANDLE ASSY, (includes all items)	C
1	91033387	1	5-BUTTON HANDLE	
2	88501112	1	HEX JAM NUT, 3/4-16	
3	91346002	1	LEVER WELDMENT	
4	91083136	2	BUSHING	
5	91123051	1	MOLDED RUBBER BUSHING	
6	86683480	1	BUTT CONNECTOR	
7	82033996	50 in	WIRE LOOM	
8	77363232	1	RECEPTACLE CONNECTOR	
9	77363228	5	PIN CONTACT	
10	91143107	1	STRAIN RELIEF	
11	90027187	2	TIE WRAP	
12	86683122	2	TIE WRAP	
13	91341015	1	JUMPER WIRE	
14	83683363	1	INSULATED RING TERMINAL	
15	86983193	1	MALE BULLET	
16	91341026	1	JUMPER WIRE	
17	91341027	1	JUMPER WIRE	
18	91341020	1	JUMPER WIRE	
19	77363345	1	PIN CONTACT	
20	14402248	AR	3M ADHESIVE	

SECTION 12 - OPTIONS



SECTION 12 - OPTIONS

FIGURE 12-39. BEACON LIGHT PACKAGE (SN 0160012842 to Present, Including 0160012298)

ITEM	PART NUMBER	QTY	DESCRIPTION	REV
	0274689	1	BEACON LIGHT PACKAGE, (includes all items)	A
1	8500066	1	ROTATING BEACON	
1	7029524	1	BULB	
2	91121151	1	JUMPER WIRE	
3	86683480	1	BUTT CONNECTOR	
4	88321022	1	SELF TAPPING SCREW, #8-32X3/8	
5	91033380	1	RUBBER GROMMET	
6	91053419	2	TIEWRAP	
7	4923310	1	JUMPER WIRE	
8	91033425	2	RUBBER GROMMET	
9	77383467	1	TOGGLE - SPST	
10	77383470	1	BOOT	
11	91143108	1	FUSE HOLDER	
12	77363267	1	FUSE, 10 AMP	
13	91141259	1	JUMPER WIRE	
14	91121216	1	JUMPER WIRE	
16	91123177	1	BEACON DECAL	

SECTION 13 - RECOMMENDED SPARE PARTS

SECTION 13 - RECOMMENDED SPARE PARTS

PART NUMBER INDEX

80933123, 399, 423, 435, 437, 439	8305643, 127	83421139, 383	84718067, 89, 103
80933140, 435, 437, 439	8305644, 107	83451104, 77	84718077, 387
80933367, 229	8305645, 409, 589	83481285, 547, 549	84718164, 375, 379, 383, 596
80934037, 626	8305647, 589	83481286, 547, 549, 551	84718189, 423
80934080, 507	8307007, 107	83481645, 43	84718201, 364, 368, 371
80934082, 511	8307028, 656	83483497, 177, 213	84718202, 419, 421
80934084, 511	8307112, 107	83483584, 253	84718294, 423
80934202, 493	8307113, 589	8360005, 700	84718355, 391, 395, 398
80934205, 517	8307219, 571	83621283, 443, 445	84718377, 425
80934241, 351	83073828, 253	83633002, 327	84718425, 178, 182, 363, 391
80934340, 511	8307904, 63, 127	83651133, 375, 379, 383, 390, 394, 399	84718427, 596
80934423, 493	8307916, 63	83661316, 87	84718614, 391, 395
80934498, 351	8307917, 63	83662017, 390, 394	84718615, 391, 395
80934656, 351, 723	8307918, 63, 127	83683175, 177, 181, 185, 237	84718625, 364, 368, 372
80934658, 351	8310067, 43, 63	83683181, 323	84718631, 427
80934671, 495	8310093, 63	83683254, 553, 557	84718632, 415, 722
80963050, 651, 656	8310160, 127	83683291, 13, 17, 21	84718635, 375, 379, 383
80963055, 561, 651, 656	8310161, 127	83683308, 217, 219	84718637, 407, 612, 616, 665, 677, 684, 687
80963056, 561, 651, 656	8310705, 173	83683363, 359, 681	84718639, 177, 181, 185, 189, 193, 363, 367, 371
80963057, 284, 288, 292, 547, 549, 551, 557, 559, 647, 692, 696, 700	83191004, 157, 161, 165, 177, 181, 185	83683549, 100	84718672, 419, 421, 423
80963058, 162, 315, 527, 553, 555, 557, 559, 600, 647	83191005, 178, 182, 186, 189	83783030, 169	84718673, 419
80963059, 551	83191006, 177, 181, 185, 189	83793054, 37	84718680, 431, 433
80963062, 545, 600, 651, 656	83191010, 157, 161, 165, 169, 177, 181, 185, 543	83924121, 519	84718682, 431
80963065, 162, 527, 545, 547, 549, 551, 555, 561, 647	83191012, 157, 161, 165	83924123, 507	84718684, 413, 415
80963066, 553, 600, 651, 656	83191013, 162, 165, 177, 181, 185, 189	83953028, 527	84718685, 407, 409, 613, 616, 665, 678, 688
80963067, 284, 288, 292, 561, 563, 692, 696, 700	83191021, 177, 181, 185, 189	8405007, 700	84718686, 407, 409, 613, 616, 665, 678, 688
80963068, 284, 288, 292, 547, 549, 553, 557, 559, 647, 651, 656, 692, 696, 700	83191032, 157, 161, 165, 169	8405201, 221	84718687, 328, 332, 336, 340
80963070, 600	83191035, 157, 161, 165	8410013, 215	84718688, 327, 331, 335, 339
80963101, 284, 288, 292, 317, 320	83191038, 162, 166, 185, 647	8410031, 173	84718689, 328, 332, 336, 340
80974021, 491	83191039, 169	8420053, 109, 125, 127	84718690, 327, 332, 336, 340
82033995, 692	83191040, 189	8420055, 109, 125, 127	84718691, 328, 332, 336, 340
82033996, 284, 288, 292, 359, 651, 656, 681, 692, 696, 700, 709	83191041, 157, 161, 165	8430048, 700	84718692, 423, 481
8205655, 531	83191043, 169	84521056, 217, 219	84718695, 431
8220524, 557	83191049, 170	84521062, 85, 87	84718696, 431
8220553, 561, 563	83191059, 347	8466306, 14, 18, 21	84718700, 178, 182, 186, 189, 193, 363, 367, 371, 390, 394, 399
8220883, 563	83201006, 25, 30	84711333, 177, 181, 185, 189, 363, 367, 371	84718701, 363, 367, 371
8225122, 571	83201021, 29, 673	84711334, 157, 161, 165, 169, 173, 363, 367, 371	84718735, 425
8229260, 571	83201024, 89, 98, 103	84712737, 390, 394, 398	84718736, 425
8270147, 543	83201026, 89, 98, 103	84712738, 157, 161, 165, 169, 173, 177, 181, 185, 189, 193, 387, 390, 394, 399	84718737, 431, 433
8270148, 543	83201057, 629	84712746, 213, 215	84718738, 431, 433
8270621, 17, 21, 724	83201061, 57	84712746, 213, 215	84718739, 390, 394, 398
8273029, 233	83201061, 57	84716148, 596	84718740, 390, 394, 398
8273257, 223, 225, 227, 229	83201073, 302, 427	84716434, 85, 87	84718741, 390, 394, 398
8275247, 241	83201104, 403	84716719, 375, 379, 383	84718743, 375, 379, 383
8303545, 571	83201111, 302	84717295, 704	84718745, 158, 162, 166, 375, 379, 383
8303626, 107	83201115, 390, 394	84717304, 364, 368, 371, 391, 395, 398	84718751, 364, 391
8303634, 127	83201123, 61, 443, 445	84717306, 626, 685	84718752, 364, 391
8303715, 127	83201135, 157, 161, 165, 177, 181, 185, 387, 390, 394, 398	84717519, 425	84718845, 387
8305012, 107	83201140, 25, 669	84717537, 99, 626	84718847, 626
8305624, 19, 21	83201144, 25, 29, 669, 673	84717556, 429	84718860, 421, 423
	83201154, 302	84717560, 427	84718893, 411
	83201155, 169, 177, 181, 185, 189, 387, 391, 395, 399	84717594, 423	84718894, 411
	83201158, 14, 19, 713	84717640, 82	84718929, 387
	83201172, 33, 35	84717644, 77	
	8320270, 158, 162, 166	84717778, 99	
		84717871, 99	
		84717893, 626, 685	
		84718046, 596	
		84718047, 98	

CLICK HERE TO **DOWNLOAD** THE COMPLETE MANUAL

- Thank you very much for reading the preview of the manual.
- You can download the complete manual from: www.heydownloads.com by clicking the link below



- Please note: If there is no response to CLICKING the link, please download this PDF first and then click on it.

CLICK HERE TO **DOWNLOAD** THE COMPLETE MANUAL