

GRADALL[®]

Illustrated Parts Manual

Models
534B-9

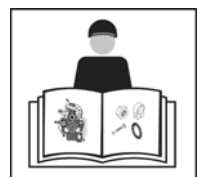
Starting
S/N 0144860S

P/N - 9103-4312

Revised July 6, 2007



JLG[®]



CLICK HERE TO **DOWNLOAD** THE COMPLETE MANUAL

- Thank you very much for reading the preview of the manual.
- You can download the complete manual from: www.heydownloads.com by clicking the link below



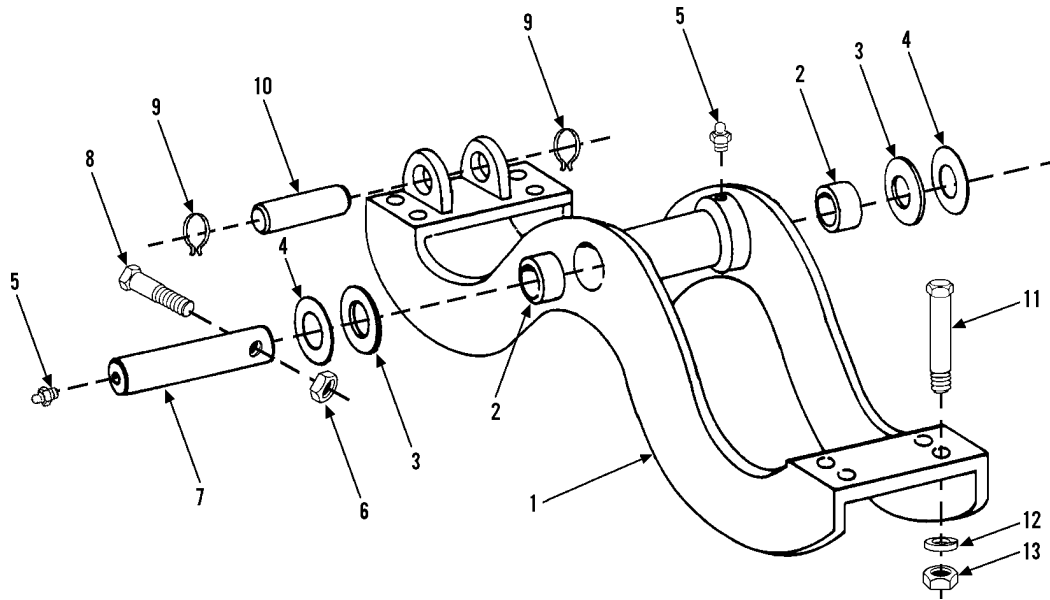
- Please note: If there is no response to CLICKING the link, please download this PDF first and then click on it.

CLICK HERE TO **DOWNLOAD** THE COMPLETE MANUAL

<u>SECTION</u>	<u>PAGE NO.</u>	<u>PART NUMBER</u>	<u>DESCRIPTION</u>
2	2-5	9103-5240	STEERING KNUCKLE KIT
2	2-5	9104-5152	STEERING CYLINDER PIN KIT
6	6-19	9104-4427	PARKING BRAKE REPAIR KIT
6	6-19	9104-4428	PARKING BRAKE LINING KIT
7	7-4	9020-6567	ORBITROL SEAL KIT
10	10-1	9103-4278	LIFT CYLINDER SEAL KIT
10	10-2	9103-4290	CROWD CYLINDER SEAL KIT
10	10-3	9103-4278	TILT CYLINDER SEAL KIT
10	10-4	9103-4278	COMPENSATING CYLINDER SEAL KIT
10	10-5	9103-4297	SWAY CYLINDER SEAL KIT
10	10-6	9103-4301	STEERING CYLINDER SEAL KIT
10	10-7	9103-4070	STUD KIT
10	10-7	9103-4237	SEAL KIT
10	10-7	9103-4236	SEAL KIT
10	10-7	9020-6419	RETAINER PLATE KIT
10	10-7	9103-4159	SPOOL SEAL KIT
10	10-7	9020-6417	SECTION SEAL KIT
10	10-10	7738-4264	SEAL KIT
10	10-10	9104-4343	SEAL KIT
10	10-10	9104-4002	SEAL KIT
10	10-10	9104-4345	SEAL KIT
10	10-13	9103-4018	INCHING VALVE SEAL KIT
10	10-14	9103-4315	HYDRAULIC PUMP SEAL KIT
10	10-15	9104-4441	MAJOR KIT
10	10-15	9104-4442	SEAL KIT
10	10-21	9106-4057	REPAIR KIT
10	10-24	9020-8212	SHAFT SEAL KIT
10	10-26	9900-7524	PLUNGER SEAL KIT
13	13-4	9103-3250	GLOW PLUG KIT
13	13-10	9103-4161	SEAL REPLACEMENT KIT
13	13-10	9103-4162	MOTOR SEAL KIT
13	13-12	9103-4124	TIE ROD KIT
13	13-13	9104-4065	OUTRIGGER CYLINDER SEAL KIT
13	13-15	9104-4330	STABILIZER CYLINDER SEAL KIT

INDEX

PART NUMBER	PAGE	PART NUMBER	PAGE	PART NUMBER	PAGE
9103-4109	13-14	9103-4186	13-10	9103-4255	6-4, 6-5, 6-6
9103-4110	10-12	9103-4187	13-10	9103-4256	6-5
9103-4111	13-14	9103-4188	13-10	9103-4257	6-6
9103-4112	13-14, 10-12	9103-4189	13-10	9103-4258	6-6
9103-4113	13-14, 10-12	9103-4190	13-10	9103-4259	6-6
9103-4114	13-14, 10-12	9103-4191	13-10	9103-4260	6-3, 6-9, 9-1
9103-4115	13-14, 10-12	9103-4192	13-10	9103-4261	6-9
9103-4116	13-14, 10-12	9103-4193	13-10	9103-4262	6-9
9103-4117	13-14, 10-12	9103-4194	13-10	9103-4263	6-8
9103-4118	13-14	9103-4195	13-10	9103-4264	6-8
9103-4119	13-14	9103-4196	13-10	9103-4272	10-12
9103-4120	13-14	9103-4197	13-10	9103-4273	10-12
9103-4121	13-14	9103-4198	13-10	9103-4278	10-1, 10-3, 10-4
9103-4124	13-12	9103-4199	13-10	9103-4279	10-1
9103-4125	13-12	9103-4200	13-10	9103-4280	10-1, 10-3, 10-4
9103-4126	13-12	9103-4201	13-10	9103-4281	10-1, 10-3, 10-4
9103-4127	13-12	9103-4202	13-10	9103-4282	10-1, 10-3
9103-4128	13-12	9103-4203	13-10	9103-4283	10-1
9103-4129	13-12	9103-4204	13-10	9103-4286	13-15, 10-2, 10-5
9103-4130	13-12	9103-4205	13-10	9103-4290	10-2
9103-4131	13-12	9103-4206	13-10	9103-4291	10-2, 10-5
9103-4132	13-12	9103-4207	13-10	9103-4292	10-2
9103-4133	13-12	9103-4208	13-10	9103-4293	10-2
9103-4134	13-12	9103-4209	13-10	9103-4294	10-2
9103-4135	13-12	9103-4210	13-10	9103-4295	10-3
9103-4159	10-7	9103-4211	13-10	9103-4296	10-3
9103-4160	5-4	9103-4212	13-10	9103-4297	10-5
9103-4161	13-10	9103-4213	13-10	9103-4298	10-5
9103-4162	13-10	9103-4214	13-10	9103-4299	10-5
9103-4164	13-10	9103-4215	13-10	9103-4301	10-6
9103-4165	13-10	9103-4216	13-10	9103-4302	10-6
9103-4166	13-10	9103-4217	13-10	9103-4303	10-6
9103-4167	13-10	9103-4236	10-7	9103-4304	10-6
9103-4168	13-10	9103-4237	10-7	9103-4305	10-6
9103-4169	13-10	9103-4238	6-2	9103-4308	9-5, 9-6, 10-2
9103-4170	13-10	9103-4239	6-2	9103-4309	6-14
9103-4171	13-10	9103-4240	6-2	9103-4311	6-10
9103-4172	13-10	9103-4241	6-2	9103-4314	10-4
9103-4173	13-10	9103-4242	6-2	9103-4315	10-14
9103-4174	13-10	9103-4243	6-2	9103-4316	10-14
9103-4175	13-10	9103-4244	6-2	9103-4317	10-14
9103-4176	13-10	9103-4245	6-3	9103-4318	10-14
9103-4177	13-10	9103-4246	6-2, 6-3	9103-4319	10-14
9103-4178	13-10	9103-4247	6-4	9103-4320	10-14
9103-4179	13-10	9103-4248	6-4	9103-4321	10-14
9103-4180	13-10	9103-4249	6-4	9103-4322	10-14
9103-4181	13-10	9103-4250	6-4	9103-4323	10-14
9103-4182	13-10	9103-4251	6-4	9103-4324	10-14
9103-4183	13-10	9103-4252	6-4	9103-4326	6-1
9103-4184	13-10	9103-4253	6-4	9103-4327	6-1
9103-4185	13-10	9103-4254	6-4	9103-4328	6-13



Item	Part No.	Qty.	Description Of Part
1	9080-1303	1	FRONT AXLE CRADLE
2	9103-1096	2	BUSHING
3	9020-5891	2	SPACER
4	9103-1014	AR	SHIM
5	8867-1001	2	LUBE FITTING, STRAIGHT, 1/8
6	8852-1016	1	HEX LOCKNUT, 1-8 (stover)
7	9103-1243	1	FRAME PIN
8	8320-1031	1	HEX HD CAPSCREW
* 9	9002-8935	2	RETAINING RING
*10	9020-7352	1	SWAY CYLINDER ROD PIN
11	8320-1107	8	HEX HD CAPSCREW (lubricate & torque to 545-595 ft.lbs.)
12	9002-7475	8	WASHER
13	8852-1216	8	HEX LOCKNUT, 1-8

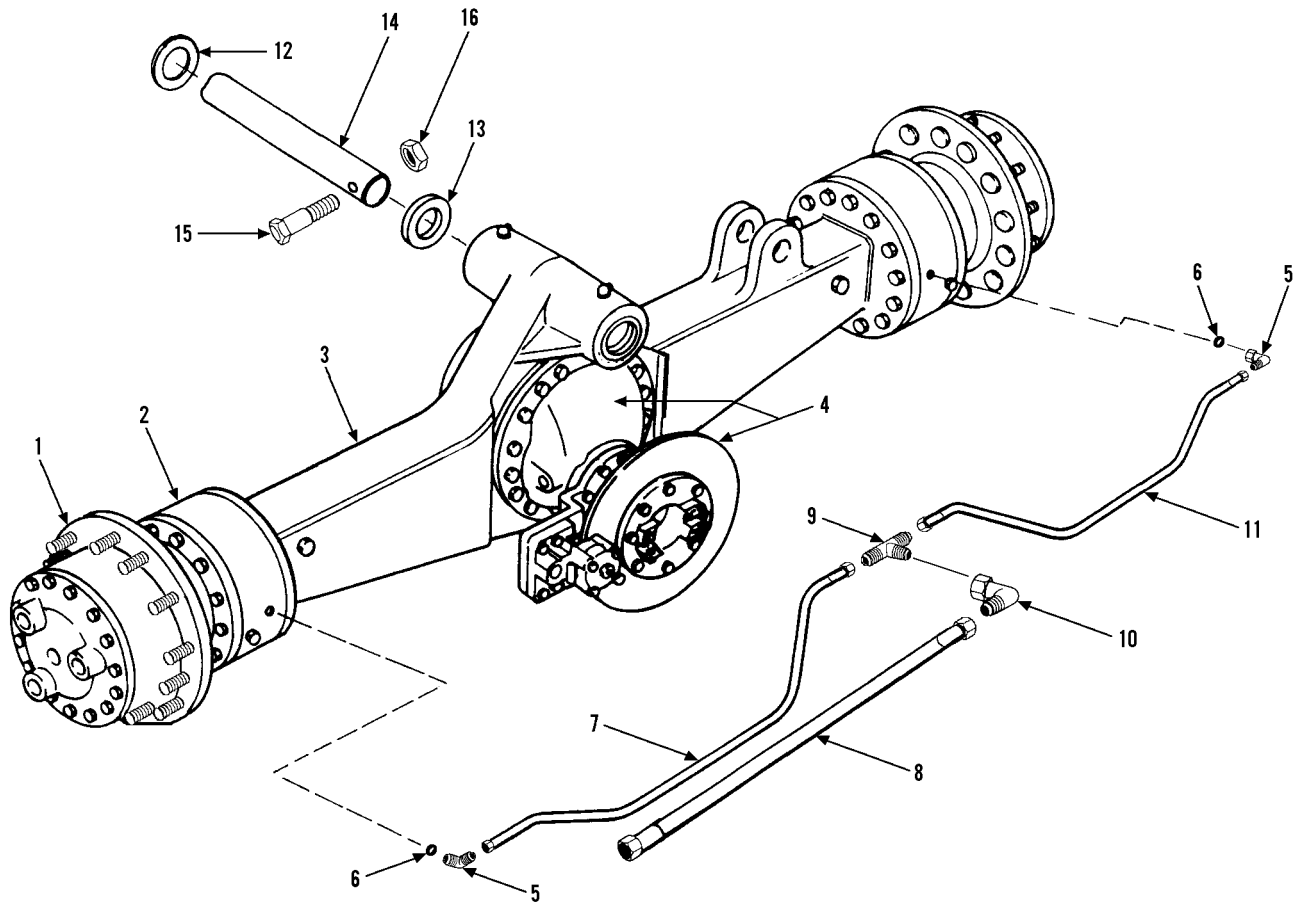
Item	Part No.	Qty.	Description Of Part	Item	Part No.	Qty.	Description Of Part
1	9103-6037	1	3RD BOOM SECTION	23	9020-6046	4	BUSHING
2	9020-6892	1	TILT CYLINDER BASE PIN	24	9020-7043	1	SPACER (if item 21 is not used)
3	8320-1044	1	HEX HD CAPSCREW, 5/8-11X4, GR8	25	9020-0253	AR	SHIM
	8852-1010	1	HEX NUT, 5/8-11		9020-3039	AR	SHIM
4	9040-3350	1	TUBE (auxiliary hose)		9020-3040	AR	SHIM
5	9040-3203	1	TUBE (tilt hose)	26	9103-5147	2	SHEAVE ASSY (includes sheave & bushing)
6	8850-1005	12	HEX NUT, 5/16-18		9103-1373	2	CABLE SHEAVE
	8856-1108	12	FLAT WASHER, 5/16		9103-1374	2	BUSHING
7	9103-3190	2	BEARING (top rear)	27	9020-6886	1	CABLE (includes pins)
8	9020-5497	4	SLOTTED SHIM	28	9103-6001	1	CABLE ANCHOR (6 hole)
	9103-1237	4	PUNCHED HOLE SHIM	29	8320-1003	1	HEX HD CAPSCREW, 5/8-11X1-3/4
	8820-1564	6	HEX HD CAPSCREW, 1/2-20X1, GR5	30	9104-1365	1	PIN (boom to male coupler)
	8856-1111	6	FLAT WASHER, 1/2	31	8820-1107	1	HEX HD CAPSCREW, 5/8-11X5, GR5
9	9103-3184	2	BEARING (lower rear)		8852-1310	1	HEX LOCKNUT, 5/8-11
10	9020-7030	4	SLOTTED SHIM	32	9060-2838	1	MALE COUPLER
	9103-1235	4	PUNCHED HOLE SHIM	33	9020-7046	1	TILT CYLINDER ROD PIN
	8820-1536	4	HEX HD CAPSCREW, 3/8-24X1-1/2, GR5	34	8820-1065	2	HEX HD CAPSCREW, 1/2-13X1, GR5
11	9080-1349	1	PUSH BEAM	35	9103-1136	2	BUSHING CABLE
12	9103-1445	1	PIN	36	9103-3187	2	BEARING
13	9002-1608	1	CLEVIS PIN		9103-1111	4	SLOTTED SHIM
	8863-1310	1	COTTER PIN, 3/32X1		9103-1233	4	PUNCHED HOLE SHIM
16	8867-1001	1	GREASE FITTING		8820-1533	2	HEX HD CAPSCREW, 3/8-24X7/8, GR5
17	9020-7215	1	ROLLER (not required after serial #8444459)		8820-1532	2	HEX HD CAPSCREW, 3/8-24X3/4, GR5
18	9020-7302	1	STUD		8856-1109	4	FLAT WASHER, 3/8
	8852-1305	2	HEX LOCKNUT, 5/16-18	37	9002-8965	2	NUT
19	9020-7710	1	PIN	38	8850-1116	2	HEAVY HEX JAM NUT, 1"-8
20	8820-1045	1	HEX HD CAPSCREW, 3/8-16X3-1/2, GR5	39	9020-6887	1	CABLE (includes pins)
	8850-1106	1	HEAVY HEX JAM NUT, 3/8-16	40	9103-6069	1	HOSE RETAINER
21	9104-3101	1	SHEAVE	41	8820-1033	4	HEX HD CAPSCREW, 3/8-16X3/4, GR5
22	9104-3100	1	SHEAVE		8856-1109	4	FLAT WASHER, 3/8
*22 ^A	9060-2830	1	SHEAVE (old sheave used with quantity of two 9020-6046 bushings)	42	9103-3186	2	BEARING (side)
*22 ^B	9104-3100	1	SHEAVE (plastic sheave, replaced old 9060-2830; no bushings required)	43	9020-5870	4	SLOTTED SHIM
					9103-1236	4	PUNCHED HOLE SHIM

GRADALL®
MATERIAL HANDLER
534B-9

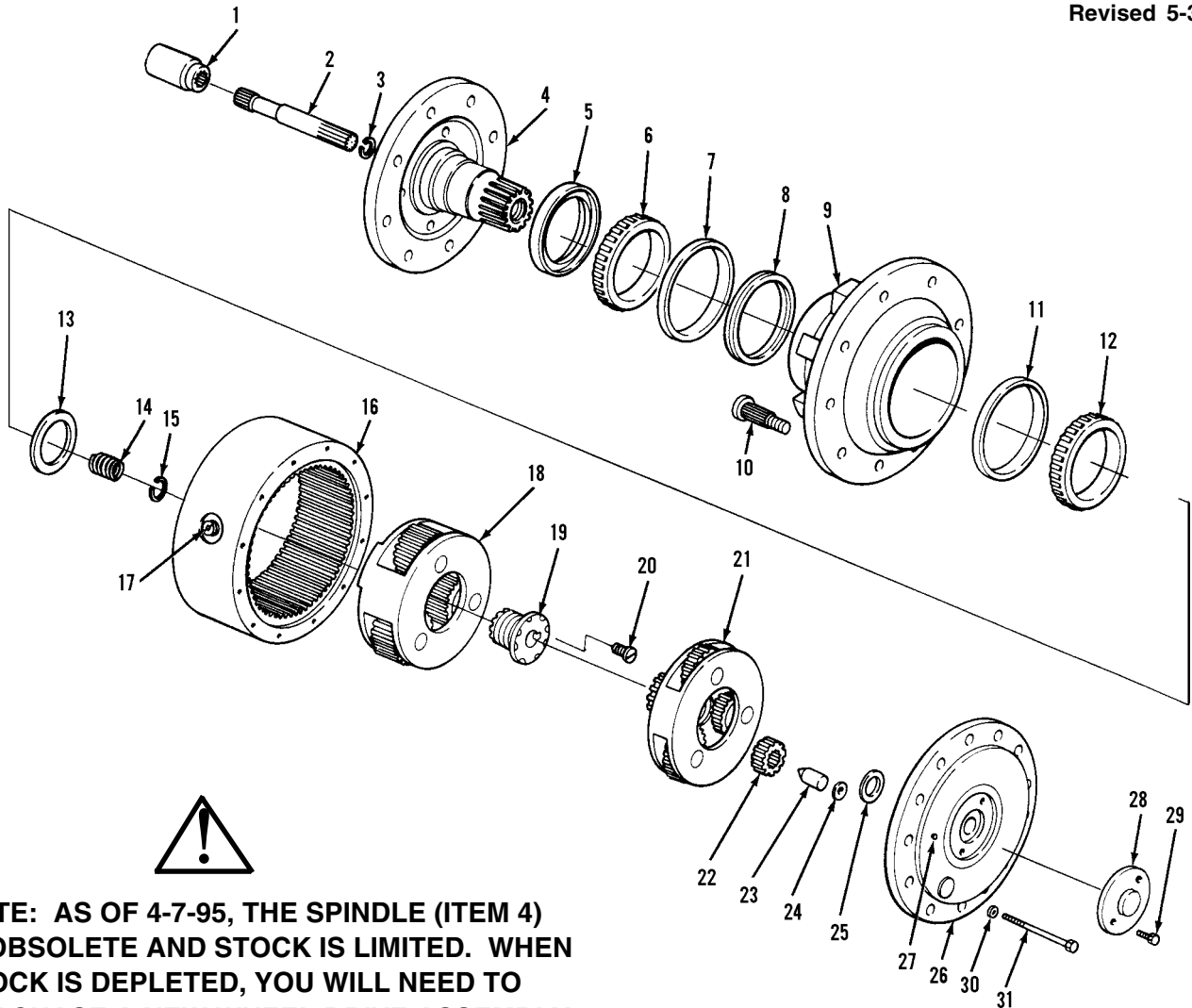
ENGINE & ATTACHING PARTS
Perkins Diesel Engine Mounting
Starting Serial No. 0144860S
Original Issue 10-90
Revised 1-10-99

Item	Part No.	Qty.	Description Of Part	Item	Part No.	Qty.	Description Of Part
1	9103-3053	1	MUFFLER	25	8820-1549	8	HEX HD CAPSCREW, 7/16-20X1, GR5
2	9103-3381	1	STACK CAP		8855-1012	8	LOCKWASHER, 7/16
3	2492-1332	1	CLAMP	26	9103-6009	2	MOTOR MOUNT
4	8820-1009	4	HEX HD CAPSCREW, 1/4-20X2, GR5	27	9020-5032	2	SHOCK MOUNT
	8856-1107	8	FLAT WASHER, 1/4	28	8852-1208	2	HEX LOCKNUT, 1/2-13
	8852-1304	4	HEX LOCKNUT, 1/4-20	29	9020-5031	2	SPECIAL WASHER
5	9103-1045	2	MUFFLER STRAP	30	8820-1072	2	HEX HD CAPSCREW, 1/2-13X2-3/4, GR5
6	8820-1037	2	HEX HD CAPSCREW, 3/8-16X1-1/2, GR5	31	9103-3323	1	STARTER MOTOR
7	8368-1481	2	WASHER		9103-3268	3	MOUNTING STUD
8	8368-3308	2	SHOCK MOUNT	32	8820-1066	2	HEX HD CAPSCREW, 1/2-13X3, GR5
9	8856-1109	2	FLAT WASHER, 3/8		8855-1013	2	LOCKWASHER, 1/2
10	8852-1306	3	HEX LOCKNUT, 3/8-16	33	9103-1041	1	MOUNTING PLATE
11	9103-6072	1	MUFFLER SUPPORT	34		Ref	PILOT PUMP (see page 10-15 for details)
12	8368-3175	1	CLAMP	35	9103-3258	1	PERKINS DIESEL ENGINE (see separate engine manual for parts information)
13	9103-6099	1	HEADER PIPE	36	9103-3133	2	NUT, M5X.08
14	9103-6012	1	EXHAUST MANIFOLD	37	9103-3134	1	NUT, M10X1.5
	8820-1534	3	HEX HD CAPSCREW, 3/8-24X1, GR5	38	9103-1152	1	HEAT SHIELD
	8855-1011	3	LOCKWASHER, 3/8	39	9103-3136	1	1/4" X 3" TUBE (Fuel Filter)
15	9103-1395	1	ALTERNATOR BRACKET	40	9103-3246	1	OIL PRESSURE SENDER (100 PSI) (not shown)
16	8820-1534	2	HEX HD CAPSCREW, 3/8-24X1, GR5	41	8850-1005	1	HEX NUT, 5/16-18
17	1200-1234	2	HARDENED WASHER, 3/8	42	8855-1010	1	LOCKWASHER, 5/16
18	8820-1045	1	HEX HD CAPSCREW, 3/8-16X3-1/2, GR5	43	8667-1164	2	SPACER
19	9103-3248	1	FAN BELT	44	9103-3256	1	FAN BLADE SPACER
20	9103-3074	1	ALTERNATOR FAN	45	8319-1019	1	HEX NUT, M6X1
21	9103-3234	1	ALTERNATOR	46	9020-7497	1	JUMPER WIRE
22	8319-1028	1	BOLT, M8X1.25, GR8	47	8319-1007	1	HEX HD CAPSCREW, M8X1.25, GR8
	8319-1011	1	LOCKWASHER, M8	48	8319-1011	1	LOCKWASHER, M8
	9002-7469	1	HARDENED WASHER	* 49	8820-1534	3	HEX HD CAPSCREW, 3/8-24X1, GR5
23	9103-1404	1	ALTERNATOR ADJUSTMENT STRAP	* 50	8855-1011	3	LOCKWASHER, 3/8
24	9103-3329	1	STUD				

Item	Part No.	Qty.	Description Of Part	Item	Part No.	Qty.	Description Of Part
1	8820-1046	9	HEX HD CAPSCREW, 3/8-16 X 3-3/4, GR5	29	7710-4085	15	LOCKWASHER
2	8855-1011	9	LOCKWASHER, 3/8	30	8820-1053	9	HEX HD CAPSCREW, 7/16-14 X 1-3/4, GR5
3	9103-4260	Ref	CONTROL VALVE ASSY (see page 6-9 for details)	31	7710-4086	6	HEX HD CAPSCREW
4	9103-4245	1	GASKET	32	9020-4806	2	OIL BAFFLE SEAL
5	7710-4284	2	DETENT BALL	33	9020-4807	1	OIL BAFFLE
6	7710-4285	2	DETENT SPRING	34	9020-4802	1	GASKET
7	7710-4112	1	PIPE PLUG	35	7710-4112	2	PIPE PLUG
8	7710-4096	1	AIR BREATHER	36	9020-4804	1	CLUTCH LUBE TUBE
9	9103-4246	1	CONVERTER HOUSING ASSY (includes items 10 through 14)	37	7710-4119	1	MAGNETIC DRAIN PLUG
10	9104-4050	1	LUBE BYPASS TUBE	38	7710-4057	1	O-RING
11	9104-4051	1	O-RING	39	9020-4809	1	SUCTION TUBE ASSY
12	9104-4052	1	TUBE CLIP	40	7710-4107	1	TUBE SLEEVE
13	7710-4102	1	HEX HD CAPSCREW	41	7710-4111	1	O-RING
14	7710-4103	1	LOCKWASHER	42	8855-1010	2	LOCKWASHER, 5/16
15	9020-4800	1	SCREEN ASSY	43	8820-1017	2	HEX HD CAPSCREW, 5/16-18 X 5/8, GR5
16	9020-4799	1	SCREEN GASKET	44	7710-4098	1	GASKET
17	9002-7267	2	PIPE PLUG	45	7710-4113	1	DOWEL PIN
18	7710-4116	1	PIPE PLUG	46	7710-4116	1	O-RING
19	7710-4086	16	HEX HD CAPSCREW	47	7710-4109	1	TUBE SLEEVE
20	7710-4085	16	LOCKWASHER	48	7710-4048	2	O-RING
21	7710-4116	1	PIPE PLUG	49	7710-4110	1	LOW SPEED CLUTCH PRESSURE TUBE
22	7710-4097	1	CONVERTER HOUSING SLEEVE	50	7710-4112	1	PIPE PLUG
23	9020-4823	1	DIPSTICK TUBE	51	7710-4118	1	PIPE PLUG
24	9020-4824	1	DIPSTICK	52	9020-4817	1	TRANSMISSION CASE ASSY (includes items 25, 32, 33, 36, 38, 39, 40, 42, 43, 47, 49)
25	7710-4109	1	TUBE SLEEVE	53	7710-4113	2	DOWEL PIN
26	7710-4111	1	O-RING				
27	7710-4116	1	COVER PIPE PLUG				
28	9020-4798	1	COVER & PLUG ASSY (includes item 27)				



Item	Part No.	Qty.	Description Of Part
	9103-5208	1	FRONT AXLE ASSY (includes items 1 through 11)
	9103-3359	1	FRONT AXLE ASSY (includes items 1 through 4)
1	Ref		WHEEL END ASSY (see page 6-14 for details)
2	Ref		WET DISC BRAKE ASSY (see page 6-18 for details)
3	Ref		HOUSING ASSY (see page 6-12 for details)
4	Ref		DIFFERENTIAL CARRIER ASSY & PARKING BRAKE (see page 6-13 for details)
5	8866-2064	2	ELBOW, 90 DEGREES (includes item 6)
6	8859-1204	2	O-RING
7	9103-3374	1	BRAKE LINE, L.H.
8	8471-7524	1	HOSE ASSY
9	8866-1305	1	UNION TEE, 3/8 TUBE
10	8866-2105	1	ELBOW, 90 DEGREES (swivel nut)
11	9103-3373	1	BRAKE LINE, R.H.
12	9103-1014	1	SHIMWASHER
13	9020-5891	1	SPACER
14	9108-1176	1	FRONT SWAY PIN
15	8320-1031	1	HEX HD CAPSCREW, 1-8 X 5, GR8
16	8852-1016	1	HEX LOCKNUT, 1-8



*** NOTE: AS OF 4-7-95, THE SPINDLE (ITEM 4) IS OBSOLETE AND STOCK IS LIMITED. WHEN STOCK IS DEPLETED, YOU WILL NEED TO PURCHASE A NEW WHEEL DRIVE ASSEMBLY, PART NUMBER 9103-3504.**

Item	Part No.	Qty.	Description Of Part
	9103-3382	2	REAR DRIVE HUB ASSY (includes all items)
	9104-4462	1	SEAL KIT (includes items 5, 8 & 20)
1	9104-4277	1	COUPLING
2	9104-4279	1	INPUT SHAFT
3	9104-4099	1	RETAINING RING
4	9104-4280	1	SPINDLE
5		1	OIL SEAL
6	9020-2501	1	BEARING CONE
7	9020-2500	1	BEARING CUP
8		1	BOOT SEAL
9	9104-4360	1	HUB
10	9104-4311	12	WHEEL BOLT
11	9106-4005	1	BEARING CUP
12	9106-4006	1	BEARING CONE
13	9104-4105	1	THRUSTWASHER
14	9104-4278	1	SPRING
15	9104-4276	1	RETAINING RING
16	9112-4015	1	RING GEAR
17	9104-4101	1	MAGNETIC PLUG
18	9112-4017	1	SECONDARY CARRIER (includes items 19 & 20)

Item	Part No.	Qty.	Description Of Part
* 19	9109-4003	1	LOCKNUT
* 20	9106-4010	1	LOCK SCREW
21	9112-4018	1	PRIMARY CARRIER
22	9112-4019	1	PRIMARY SUN GEAR
23	9104-4106	1	PLUNGER
24	9104-4107	1	O-RING
25	9106-4007	1	THRUSTWASHER
26	9104-4109	1	COVER
27	9104-4361	1	PIPE PLUG
28	9104-4112	1	DISENGAGE COVER
29	9104-4113	2	HEX HD BOLT
30	9112-4027	12	FLAT WASHER
31	9104-4111	12	HEX HDCAPSCREW, 3/8-16

NOTE: ONLY ITEMS WITH PART NUMBERS ARE AVAILABLE FOR SERVICE.

NOTE: QUANTITIES SHOWN ARE FOR ONE HUB ASSY ONLY.

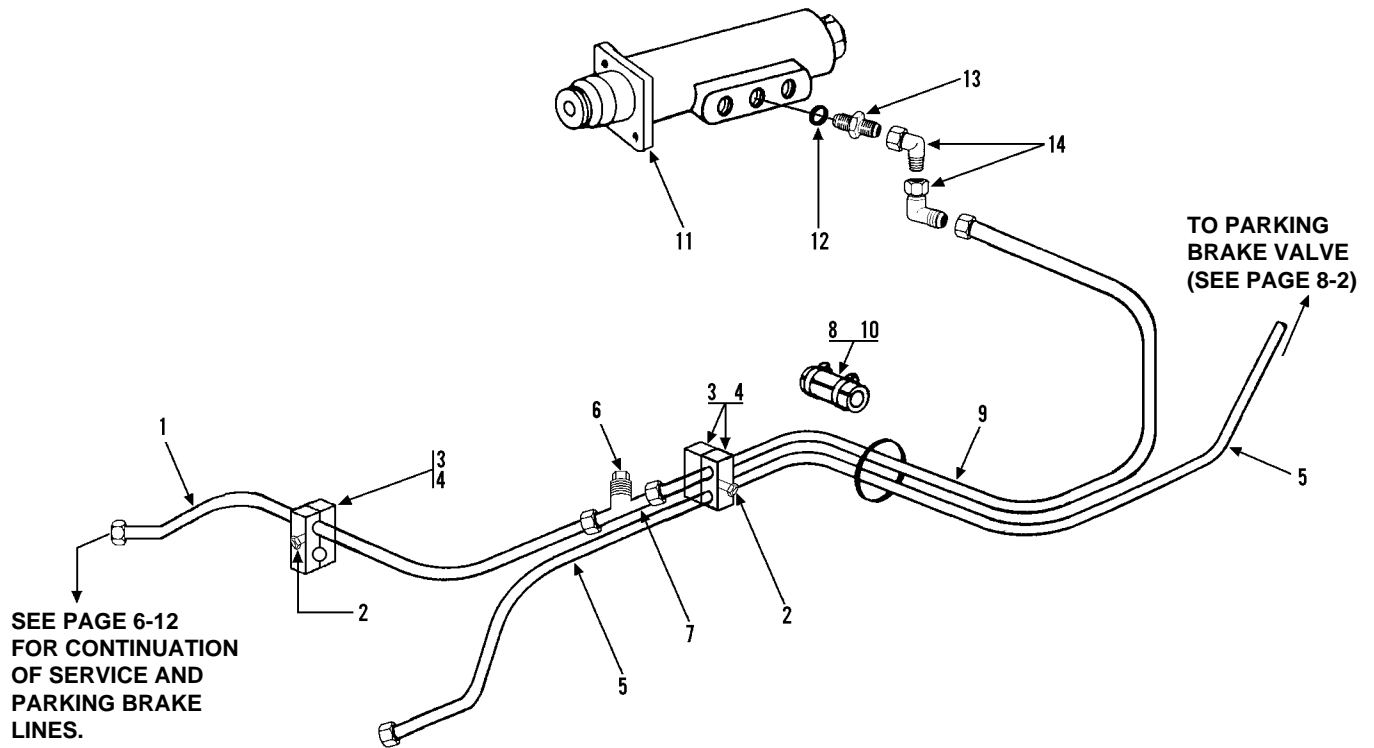
CLICK HERE TO **DOWNLOAD** THE COMPLETE MANUAL

- Thank you very much for reading the preview of the manual.
- You can download the complete manual from: www.heydownloads.com by clicking the link below

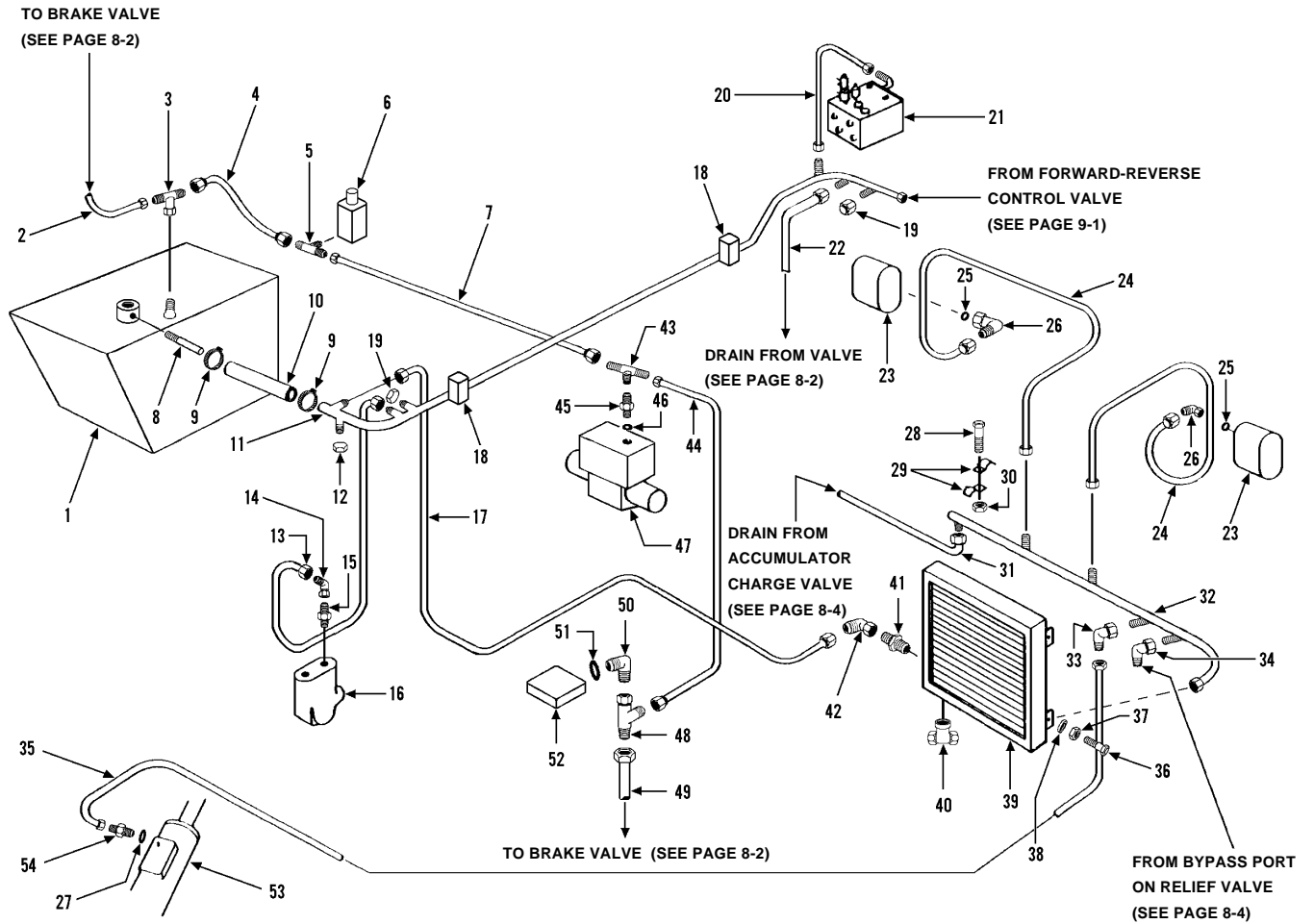


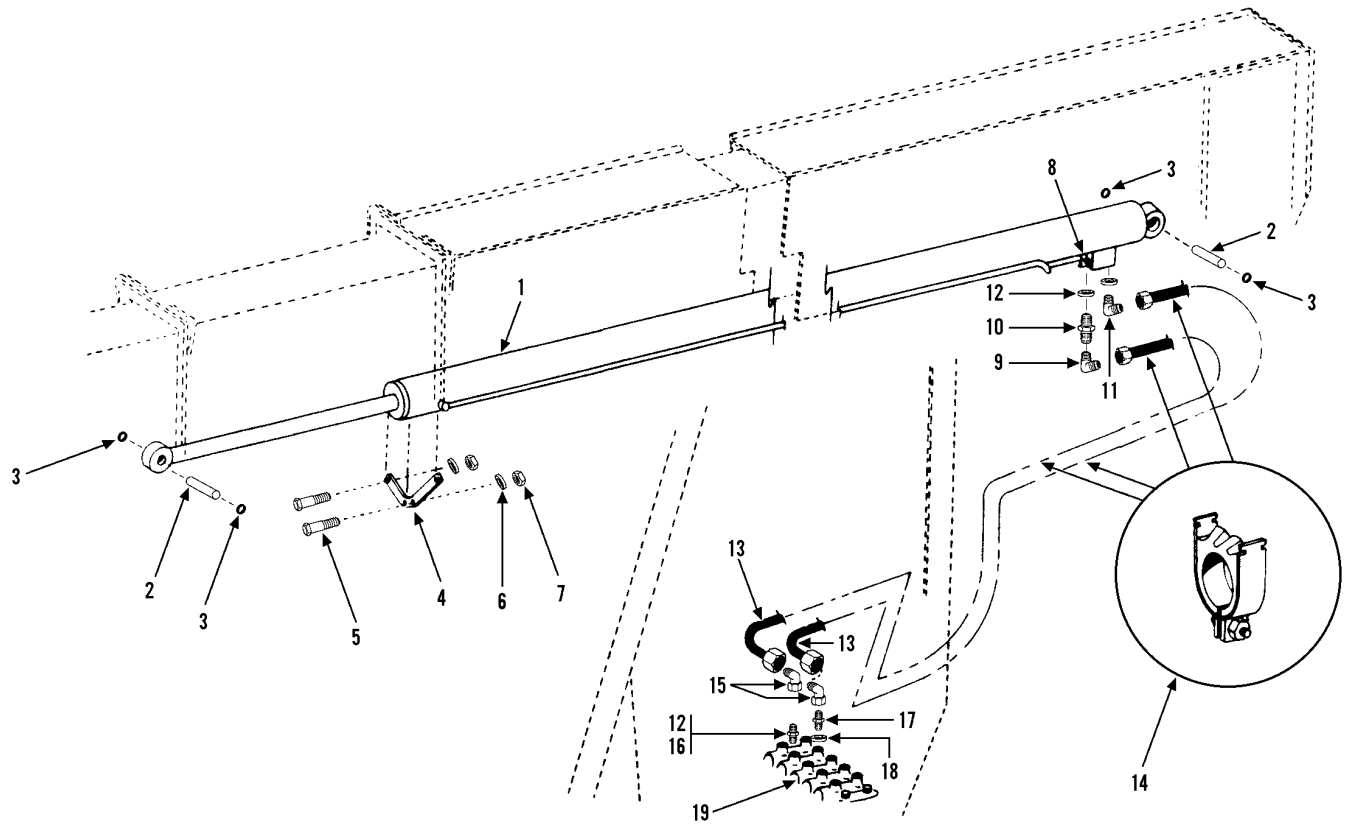
- Please note: If there is no response to CLICKING the link, please download this PDF first and then click on it.

CLICK HERE TO **DOWNLOAD** THE COMPLETE MANUAL

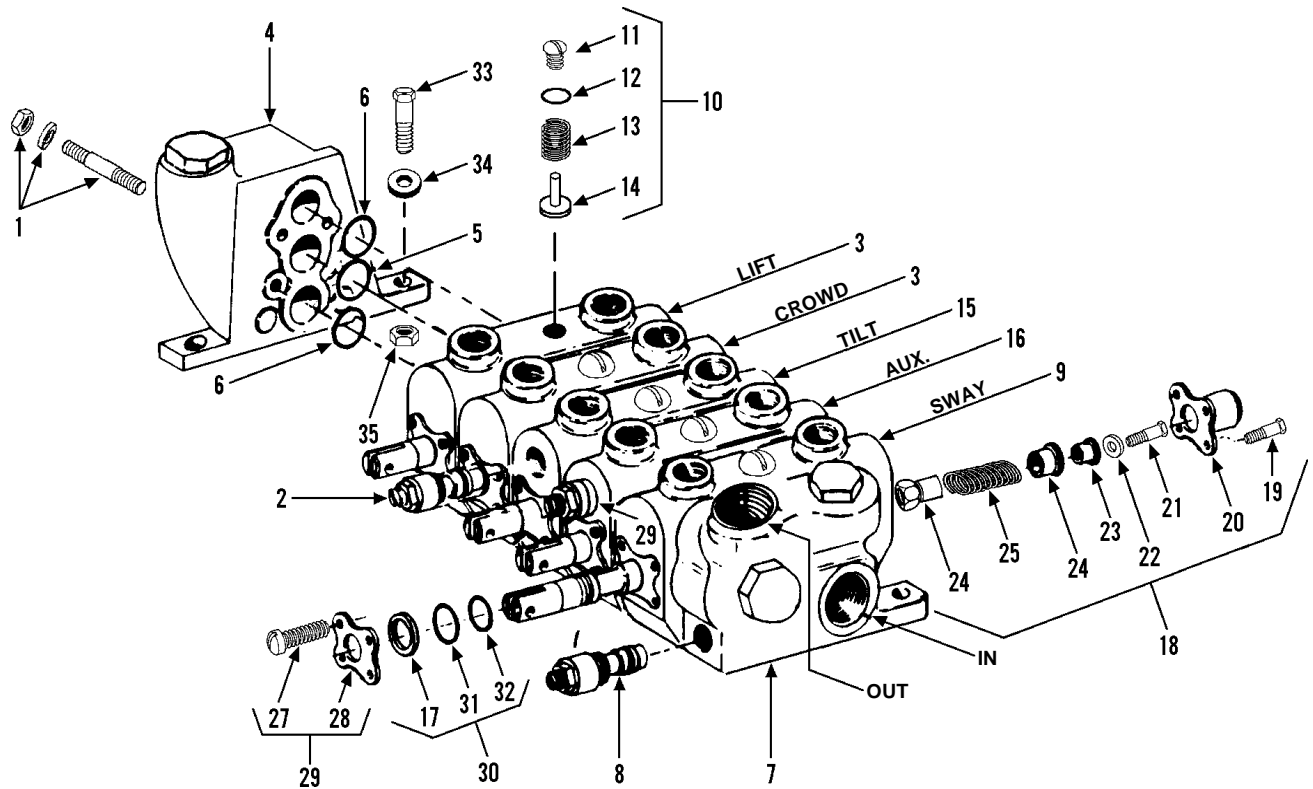


Item	Part No.	Qty.	Description Of Part
1	8471-7524	Ref	HOSE ASSY (see page 6-12 for details)
2	7713-3177	2	HEX HD CAPSCREW
3	7713-3140	2	COVER PLATE
4	7713-3139	2	CLAMP SET
5	8471-7987	1	HOSE ASSY
6	9103-3032	1	MINI-CHECK COUPLING
7	9104-3091	1	FEMALE BRANCH TEE
8	9104-1258	1	HOSE
9	8471-7523	1	HOSE ASSY
10	9002-7187	AR	NYLON HOSE TIE
11	9108-3154	Ref	BRAKE VALVE ASSY (see page 10-21 for details)
12	8859-1205	1	O-RING
13	8866-2018	1	CONNECTOR (includes item #12)
14	8866-2105	2	ELBOW, 90 DEGREES (swivel nut)

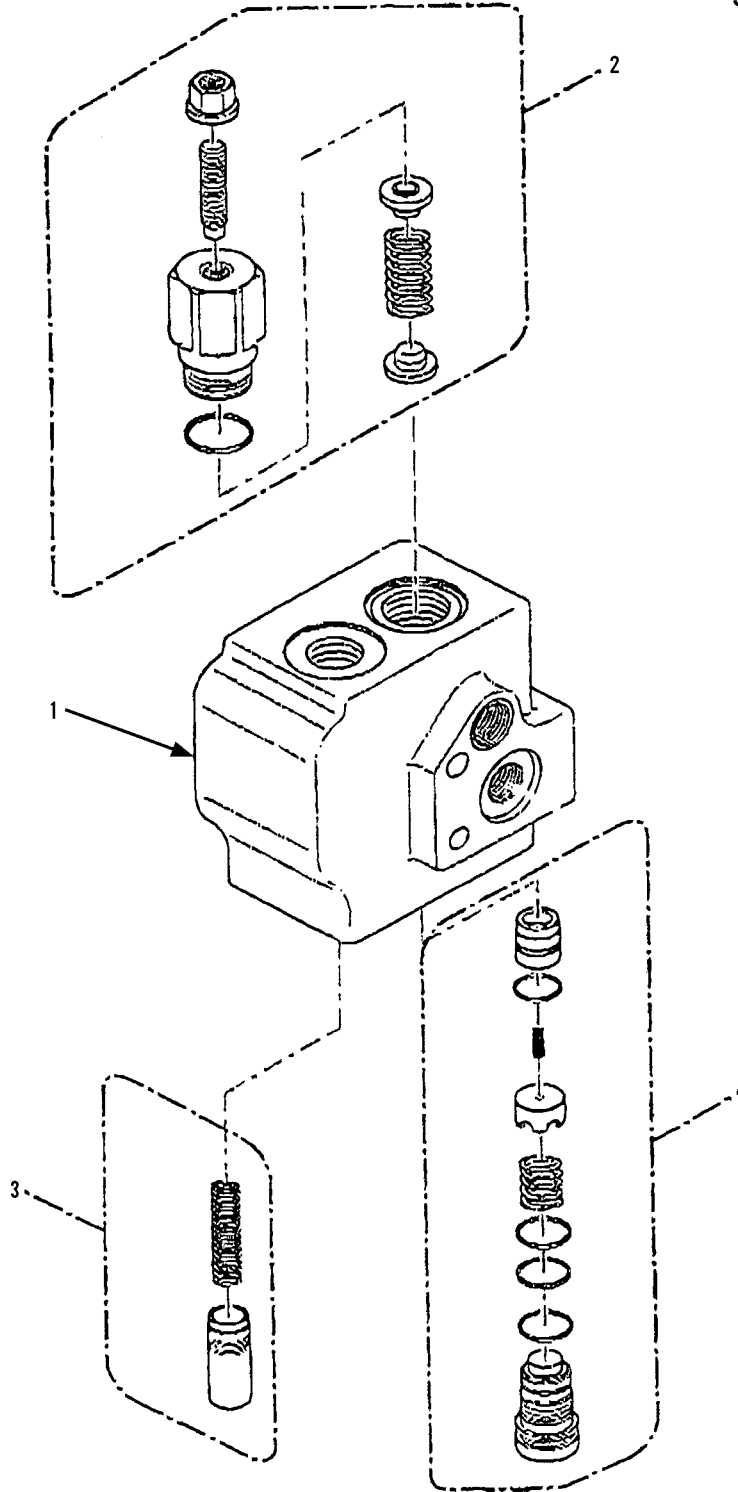




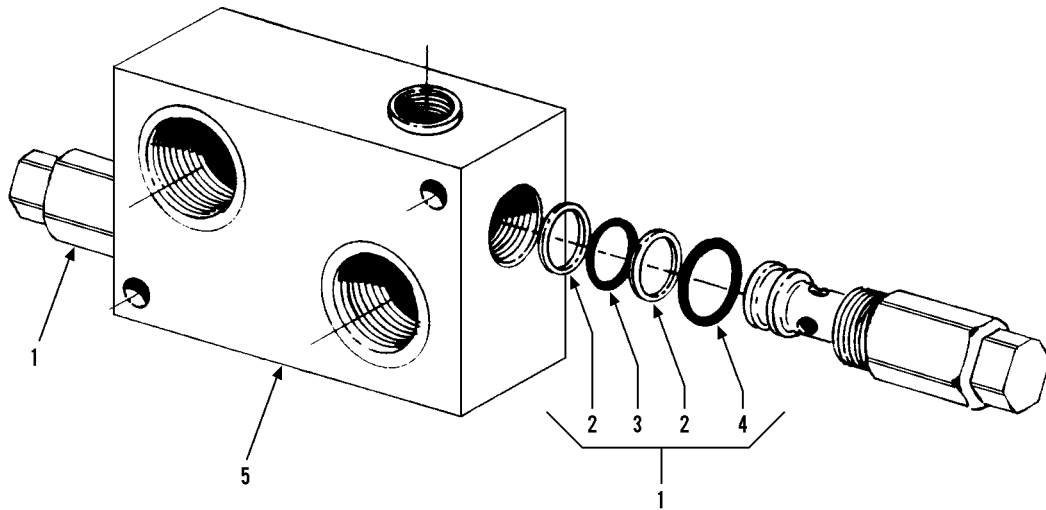
Item	Part No.	Qty.	Description Of Part
1		Ref	CROWD CYLINDER ASSY (see page 10-2 for details)
2	9020-7352	2	PIN
3	9002-8935	4	RETAINING RING
4	9040-3212	1	CROWD CYLINDER SUPPORT
5	8820-1008	2	HEX HD CAPSCREW, 1/4-20 X 1-3/4, GR5
6	8856-1107	2	FLAT WASHER, 1/4
7	8850-1004	2	HEX NUT, 1/4-20
8	9103-4308	1	COUNTERBALANCE VALVE (includes O-ring)
9	8866-2108	1	ELBOW, 90 DEGREES (swivel nut)
10	8866-2008	1	CONNECTOR (includes item #12)
11	8866-2067	1	ELBOW, 90 DEGREES (includes item #12)
12	8859-1207	3	O-RING
13	8471-7608	2	HOSE ASSY
14	9020-5792	4	HOSE CLAMP
15	8866-2108	2	ELBOW, 90 DEGREES (swivel nut)
16	8866-2038	1	CONNECTOR (includes item #12)
17	8866-2025	1	CONNECTOR (includes item #18)
18	8859-1209	1	O-RING
19		Ref	MAIN CONTROL VALVE ASSY (see page 10-7 for details)



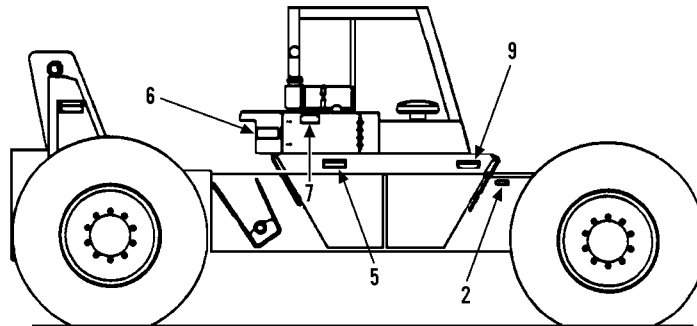
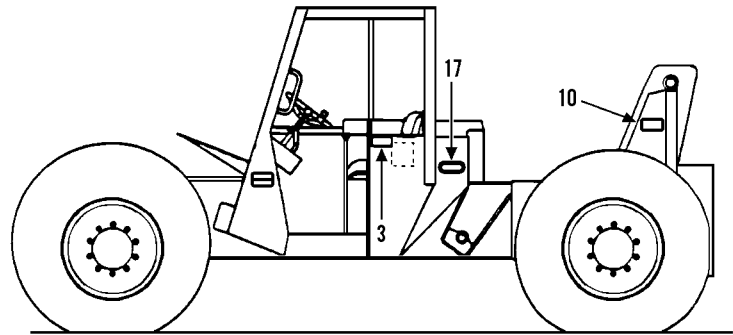
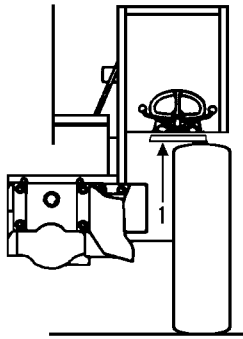
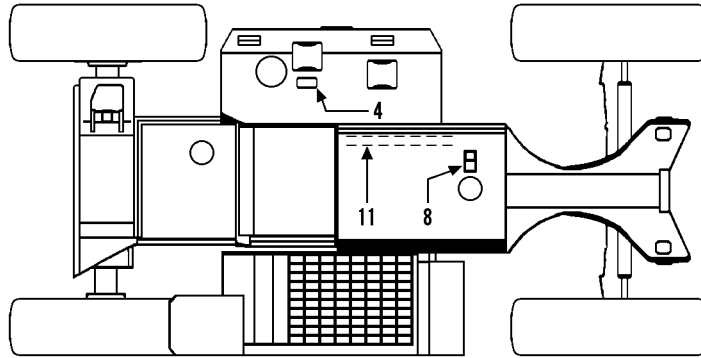
Item	Part No.	Qty.	Description Of Part	Item	Part No.	Qty.	Description Of Part
	9103-3296	1	CONTROL VALVE ASSY (includes all items)	19	8830-1548	4	FILLISTER HD MACHINE SCREW, 1/4-20 X 1
1	9103-4070	AR	STUD KIT	20	9020-6431	1	BONNET
2	9020-6415	1	PORT RELIEF	21	8821-1069	1	SOCKET HD CAPSCREW, 3/8-16 X 3/4, GR8
	9103-4237	AR	STUD KIT	22	8855-1011	1	LOCKWASHER, 3/8
3	9103-4102	2	VALVE SECTION (includes items 10 through 14)	23	9020-6430	1	SPOOL COLLAR
4	9103-4104	1	COVER PLATE ASSY (right end)	24	9020-6428	2	STOP COLLAR
5	9020-6422	1	O-RING	25	9020-6429	1	SPRING
6	9020-6423	2	O-RING	26	9020-6419	AR	RETAINER PLATE KIT (consists of items 27 & 28)
7	9104-4114	1	COVER PLATE ASSY (left end; includes item #8)	27		1	SCREW
8	9020-8136	1	MAIN RELIEF VALVE ASSY (3,000 PSI)	28		1	RETAINER PLATE
	9103-4236	AR	SEAL KIT	29	9103-4074	1	PORT RELIEF
9	9020-6421	1	VALVE SECTION (includes items 10 through 14)	30	9103-4159	AR	SPOOL SEAL KIT (consists of items 17, 31, 32)
10	9020-6413	AR	LOAD CHECK POPPET ASSY (includes items 11 through 14)	31		1	O-RING
11		1	LOAD CHECK PLUG	32		1	O-RING
12		1	O-RING	33	8820-1072	3	HEX HD CAPSCREW, 1/4-20 X 1-3/4, GR5
13		1	SPRING	34	8856-1107	3	FLAT WASHER, 1/4
14		1	POPPET	35	8850-1008	3	HEX NUT, 1/2-13
15	9020-6420	1	VALVE SECTION (with port relief; includes item #2)	36	9020-6417	AR	SECTION SEAL KIT (consists of items 5, 6, 12, 17, 31, 32)
16	9103-4072	1	VALVE SECTION (includes item #29)				NOTE: ONLY ITEMS WITH PART NUMBERS ARE AVAILABLE FOR SERVICE.
17	9020-6418	AR	SEAL PLATE				
18	9020-6427	AR	NEUTRAL POSITIONER (consists of items 19 through 25)				



Item	Part No.	Qty.	Description Of Part
1	9104-3296	1	ACCUMULATOR CHARGE VALVE
2	9104-4538	1	LG. SPRING REPAIR KIT
3	9104-4539	1	SPOOL & SM. SPRING REPAIR KIT
4	9104-4540	1	ELEMENT & SEAL KIT
			NOTE: ONLY ITEMS WITH PART NUMBERS ARE AVAILABLE FOR SERVICE.

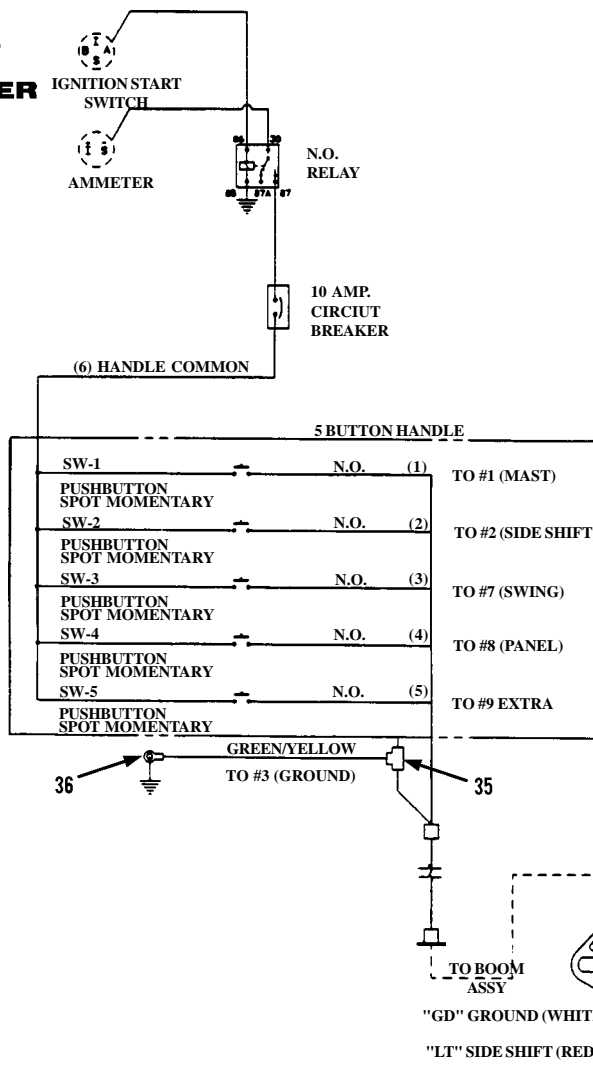


Item	Part No.	Qty.	Description Of Part
	9060-2706	1	CROSSOVER RELIEF VALVE (includes all items)
1	9020-3440	2	RELIEF CARTRIDGE (with seals)
2	9020-3437	4	BACKUP RING (2 per cartridge)
3	9020-3438	2	O-RING (1 per cartridge)
4	9020-3439	2	O-RING (1 per cartridge)
5		1	BODY
			NOTE: ONLY ITEMS WITH PART NUMBERS ARE AVAILABLE FOR SERVICE.



**NOTE: DECAL KIT 9103-5225 INCLUDES ALL
DECALS SHOWN ON PAGES 12-1 & 12-2.**

GRADALL®
MATERIAL HANDLER
534B-9

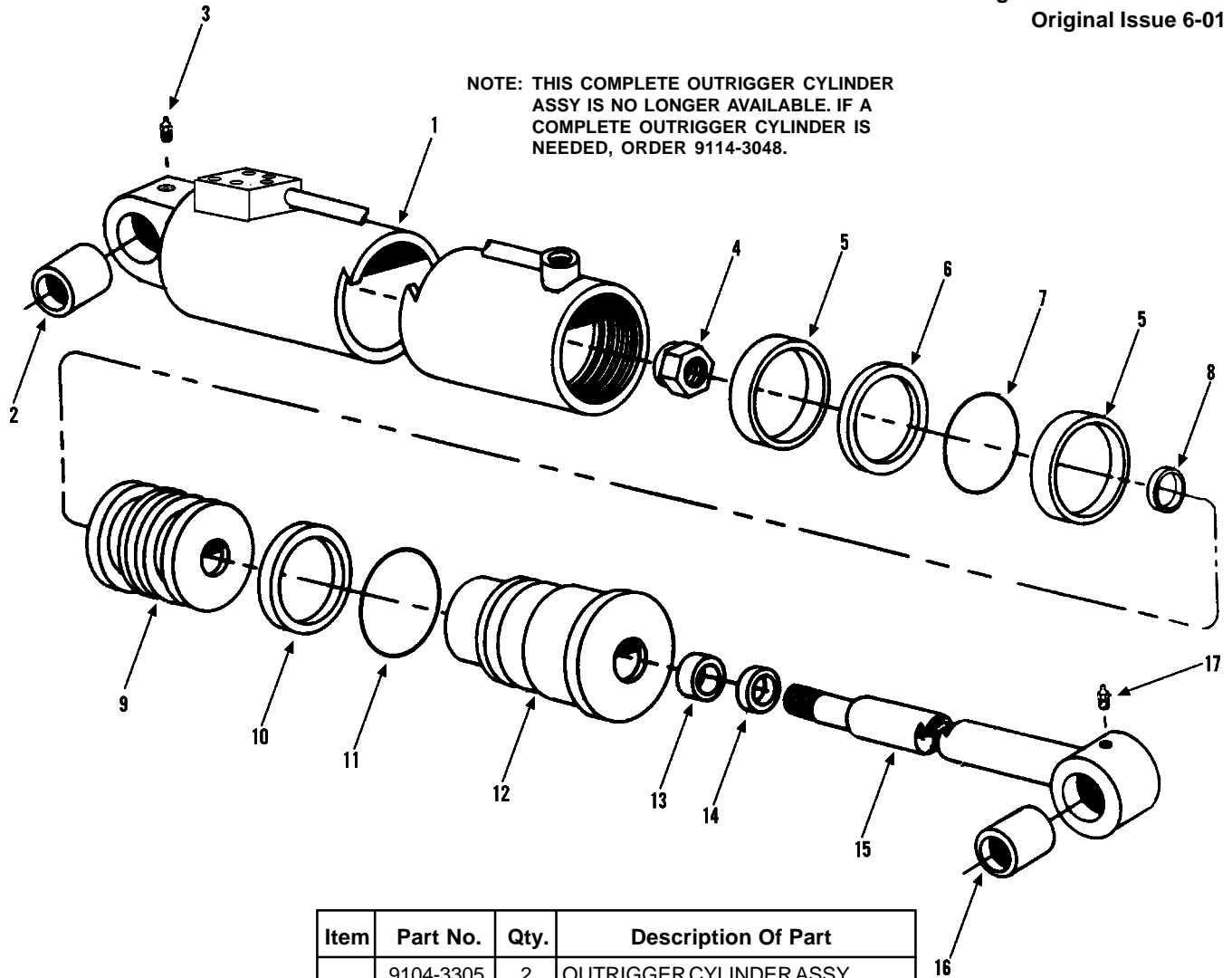


OPTIONAL EQUIPMENT
Auxiliary Controls Assembly
 Starting Serial No. 0144860S
 Original Issue 10-90
 Revised 7-92

Item	Part No.	Qty.	Description Of Part	Item	Part No.	Qty.	Description Of Part
	9103-5220	Ref	AUXILIARY CONTROLS ASSY (includes items 1 through 21, 23, 24, 25, 26, 38)	21	9103-1464	1	COVER PANEL
	9103-5221	Ref	AUXILIARY FIELD INSTALLATION (includes items 1 through 27 & item 40)	22	8832-1015	Ref	SELF-TAPPING SCREW, #6-32 X 1/2
	9103-5222	Ref	AUXILIARY ELECTRIC INSTALLATION (includes items 28 through 37, item 39 and items 41 through 46)	23	8866-2107	2	ELBOW, 90 DEGREES (swivel nut)
1	9103-6107	1	AUXILIARY HANDLE WELDMENT	24	8692-3006	1	ADAPTER, 3/4 X 5/8
2	9020-0290	4	BEARING	25	8866-2008	1	CONNECTOR (includes O-ring)
3	8867-1008	3	LUBE FITTING, STRAIGHT, 1/4-28		8859-1207	1	O-RING
4	9020-2361	1	LINKAGE ROD	26	8866-2022	1	CONNECTOR (includes O-ring)
5	8882-1004	3	ADJUSTABLE YOKE END		8859-1207	1	O-RING
6	9002-7987	3	SPRING CLEVIS	27	9103-3239	1	CONVERSION KIT
7	8850-1406	3	HEX JAM NUT, 3/8-24	28	9103-3387	1	5-BUTTON HANDLE
8	9020-5533	1	BELL CRANK	29	9103-3425	1	GROMMET
9	9104-6051	1	LINKAGE ROD	30	9002-8956	1	CONNECTOR BODY
10	9002-1552	1	CLEVIS PIN	31	9002-8958	6	TERMINAL
11	8863-1301	1	COTTER PIN, 1/16 X 1/2	32	9002-8978	1	CABLE CLAMP
12	9002-2043	2	HOSE ASSY	33	9040-3396	1	AUXILIARY WIRING HARNESS
13	9002-9938	2	90 DEGREE BULKHEAD ELBOW	34	9002-7187	4	TY-RAP
14	9000-7393	1	TUBE ASSY	35	9002-8968	1	CONNECTOR
15	9104-3196	1	TUBE ASSY	36	9103-3391	6	INSULATED RING TERMINAL
16	9103-1465	1	HANDLE INSERT	37	9103-3394	1	AUXILIARY CONTROL DECAL
17	9020-0774	1	HANDLE GRIP	38	9103-3417	1	AUXILIARY CONTROL DECAL
18	8850-1112	1	HEAVY HEX JAM NUT, 3/4-10	39	8203-3993	12"	LOOM, 5/16" I.D.
19	8856-1113	4	FLAT WASHER, 3/4	40	9103-3168	1	MAIN CONTROL VALVE
20	9002-8662	2	WAVE BEND WASHER	41	8688-3071	1	10 AMP CIRCUIT BREAKER
				42	7736-3191	1	CIRCUIT BREAKER BRACKET
				43	8832-1039	2	PAN HD SELF TAPPING SCREW, #10-32 X 1/2"
				44	7738-3410	1	RELAY
				45	8666-1147	AR	WIRE, BLACK 16 GAUGE
				46	7716-3102	4	INSULATED FEMALE SPADE

GRADALL®
MATERIAL HANDLER
534B-9

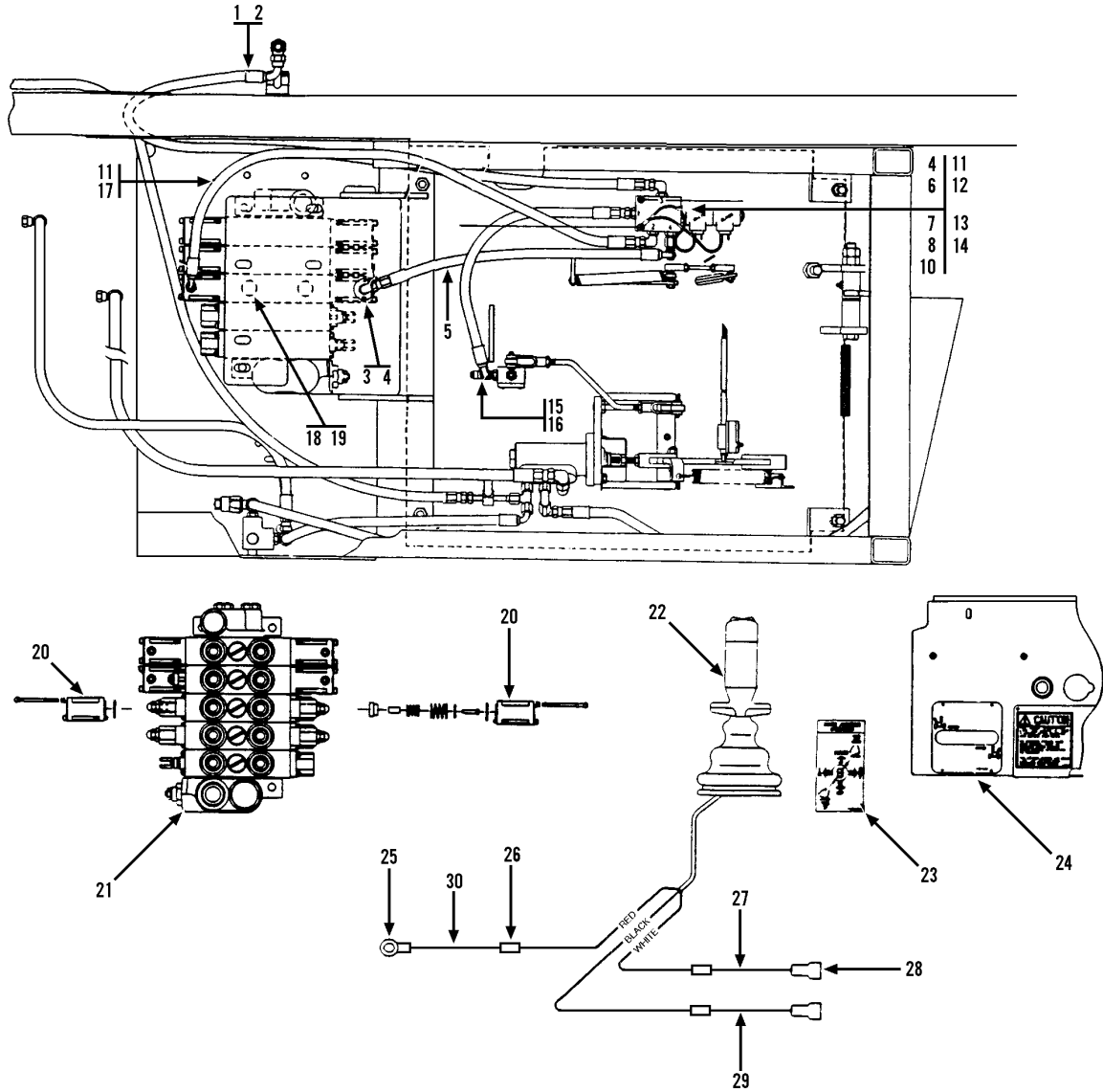
OPTIONAL EQUIPMENT
(9104-3305) Outrigger Cylinder
 Starting Serial No. 0244184S
 Original Issue 6-01



NOTE: THIS COMPLETE OUTRIGGER CYLINDER ASSY IS NO LONGER AVAILABLE. IF A COMPLETE OUTRIGGER CYLINDER IS NEEDED, ORDER 9114-3048.

Item	Part No.	Qty.	Description Of Part
	9104-3305	2	OUTRIGGER CYLINDER ASSY, (includes all items)
	9103-4278	1	SEAL KIT, (includes items 5, 6, 7, 8, 10, 11, 13, & 14)
1	9104-4316	1	TUBE ASSY
2	9104-4371	1	BUSHING
3	8867-1018	1	LUBE FITTING, 45 DEGREES, 1/8
4	9103-4280	1	LOCK NUT, (torque to 1100 ft.lbs.)
5		2	WEAR RING
6		1	SEAL
7		1	O-RING
8		1	O-RING
9	9103-4281	1	PISTON
10		1	BACK-UP RING
11		1	O-RING
12	9103-4282	1	GLAND
13		1	SEAL
14		1	WIPER
15	9104-4317	1	ROD ASSY
16	9104-4371	1	BUSHING
17	8867-1033	1	LUBE FITTING, STRAIGHT 1/4-28

NOTE: ONLY ITEMS WITH PART NUMBERS ARE AVAILABLE FOR SERVICE.



Item	Part No.	Qty.	Description Of Part
	9103-5266	Ref	TILT ON JOYSTICK (includes all items)
1	8866-1306	1	UNION TEE, 1/2 TUBE
2	8471-8323	1	HOSE ASSY
3	8866-2035	1	CONNECTOR (includes O-ring)
	8859-1204	1	O-RING
4	8866-2105	2	ELBOW, 90 DEGREES (swivel nut)
5	7713-3196	1	HOSE ASSY
6	9130-3038	1	FOUR-WAY SOLENOID VALVE
7	8820-1009	2	HEX HD CAPSCREW, 1/4-20 X 2, GR5
8	8856-1107	2	FLAT WASHER, 1/4
9	8855-1009	2	LOCKWASHER, 1/4
10	8850-1004	2	HEX NUT, 1/4-20
11	8866-2005	2	CONNECTOR (includes O-ring)
	8859-1204	2	O-RING
12	8866-2064	2	ELBOW, 90 DEGREES (includes O-ring)
	8859-1204	2	O-RING
13	9108-5071	1	ORIFICE FITTING
14	9020-7719	2	JUMPER WIRE
15	8866-2239	1	SWIVEL NUT RUN TEE, 3/8 TUBE
16	7713-3447	1	HOSE ASSY

Item	Part No.	Qty.	Description Of Part
17	8471-7956	1	HOSE ASSY
18	9103-3488	2	ORIFICE PLATE
19	9103-3487	2	CHECKVALVE PLATE
20	9103-3483	1	ACTUATOR ASSY KIT
21		Ref	MAIN CONTROL VALVE (see page 10-7 for details)
22		Ref	JOYSTICK ASSY (see page 10-26 for details)
23	9130-3041	1	BOOM CONTROL DECAL
24	9104-3431	1	SWAY CONTROL PLATE
25	8698-3188	1	EYELET, #10 X 16-14
26	8668-3480	3	BUTT CONNECTOR, 16-14
27		31"	14 GAUGE WIRE, WHITE
28	7716-3102	2	FEMALE BLADE, 16-14
29		31"	14 GAUGE WIRE, BLACK
30		62"	14 GAUGE WIRE, RED
			NOTE: ONLY ITEMS WITH PART NUMBERS ARE AVAILABLE FOR SERVICE.

CLICK HERE TO **DOWNLOAD** THE COMPLETE MANUAL

- Thank you very much for reading the preview of the manual.
- You can download the complete manual from: www.heydownloads.com by clicking the link below



- Please note: If there is no response to CLICKING the link, please download this PDF first and then click on it.

CLICK HERE TO **DOWNLOAD** THE COMPLETE MANUAL