



Illustrated Parts Manual

Model G6-42A

S/N 0190001 thru 0190457
& 0160000022 thru
0160048656

91474001

*Revised
April 4, 2014*



CLICK HERE TO **DOWNLOAD** THE COMPLETE MANUAL

- Thank you very much for reading the preview of the manual.
- You can download the complete manual from: www.heydownloads.com by clicking the link below



- Please note: If there is no response to CLICKING the link, please download this PDF first and then click on it.

CLICK HERE TO **DOWNLOAD** THE COMPLETE MANUAL

TABLE OF CONTENTS

FIGURE NO.	TITLE	PAGE NO.
SECTION 13 –		
RECOMMENDED SPARE PARTS		13-1
SECTION 14 – PART NUMBER INDEX		14-1



Figure 1-1 Frame Shrouding & Trim (Continued)

Item	Part Number	Qty.	Description	Rev.
87	91404437	13 ft	BULB SEAL	
88	7027772	1	ADHESIVE KIT, (includes 3 tubes & applicator), (enough to do exhaust screen kit)	
89	0791610	2	WHIZ-LOCK CAPSCREW, 0.375-16X1-1/4	
90	88201120	4	HEX HD CAPSCREW, 3/4-10X4-1/2, GR5	
91	88501012	4	HEX NUT, 3/4-10	
92	91143220	71 in	TRIM-LOCK	
93	91561200	1	ACCESS COVER, (S/N 0160004041 thru 0160015432)	
	1001104681	1	ACCESS COVER, (S/N 0160038331 thru 0160039215)	
94	1001104327	1	ACCESS PANEL, (S/N 0160038504 thru 0160039023)	
95	0641408	4	HEX HD CAPSCREW, 1/4-20X1, GR5	
96	4751400	4	WASHER, 1/4	
	1001096344	Ref	LH MIRROR INSTALLATION, (S/N 0160004041 thru 0160032316), (not available to order, see items 101 thru 111 for service)	B
	1001097149	Ref	LH MIRROR INSTALLATION, (S/N 0160032490 thru 0160040659), (not available to order, see items 102, 103, 108 & 109 for service)	B
101	1001096327	1	MIRROR BRACKET	
102	8866530	1	MIRROR MOUNT ARM ASSY	
103	8866514	1	MIRROR HEAD	
104	4420060	AR	DOUBLE SIDED TAPE	
105	1001096728	1	BOLT, 1/2-13	
106	4751800	1	WASHER, 1/2	
107	4761800	1	LOCKWASHER, 1/2	
108	8303799	2	HEX HD CAP SCREW, M6X1X14mm, GR8.8	
109	8307024	2	LOCKWASHER, M6	
110	88501008	1	HEX NUT, 1/2-13	
111	91403503	1	SPACER	
203	8270621	1	BACK-UP ALARM, (S/N 0160018150 thru 0160040659)	
208	8305624	2	ELASTIC LOCKNUT, 1/4-20, (S/N 0160018150 thru 0160040659)	
213	0641406	2	HEX HD CAPSCREW, 1/4-20X3/4, GR5, (S/N 0160018150 thru 0160040659)	
214	4711400	2	WASHER, 1/4, (S/N 0160018150 thru 0160040659)	
219	0100019	AR	LOCTITE® 271™	



Figure 1-2 Axle Mounting

Item	Part Number	Qty.	Description	Rev.
1		Ref	FRONT AXLE ASSY, (see Figure 5-20 for details)	
2	83201118	8	HEX HD CAPSCREW, 3/4-10X5-1/2, (Before S/N 0160040678), (torque to 340-365 lb-ft)	
	91403412	8	HEX HD CAPSCREW, 3/4-10X5, GR8, (S/N 0160040678 & After), (torque to 340-365 lb-ft)	
3	90027473	16	HARDENED FLAT WASHER, 3/4	
4	88501012	8	HEX NUT, 3/4-10	
5		Ref	REAR AXLE ASSY, (see Figure 5-30 for details)	

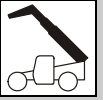


Figure 2-4 Bearing Pads, Spacers & Shims, (Second Boom Section)

Item	Part Number	Qty.	Description	Rev.
1		Ref	SECOND BOOM SECTION, (see Figure 2-3 for details)	
2	88201533	8	HEX HD CAPSCREW, 3/8-24X7/8, GR5, (Before S/N 0160037722) , (torque to 32-37 lb-ft)	
	0651606	AR	HEX HD CAPSCREW, 3/8-24X3/4, GR5, (S/N 0160037722 & After) , (torque to 32-37 lb-ft)	
	0651608	AR	HEX HD CAPSCREW, 3/8-24X1, GR5, (S/N 0160037722 & After) , (torque to 32-37 lb-ft)	
	0651607	AR	HEX HD CAPSCREW, 3/8-24X7/8, GR5, (S/N 0160037722 & After) , (torque to 32-37 lb-ft)	
3	90027470	20	HARDENED WASHER, 3/8	
4	91403532	2	WEAR PAD	
5	91401450	2	SPACER	
6	91401215	AR	SHIM	
	91401216	AR	SHIM	
7	91401197	1	MOUNT PLATE	
8	91401213	AR	SHIM, (Before S/N 0160037722)	
	91401212	AR	SHIM, (Before S/N 0160037722)	
	91403126	AR	SHIM, (S/N 0160037722 & After)	
	91403127	AR	SHIM, (S/N 0160037722 & After)	
9	91401223	4	SPACER	
10	91403530	6	WEAR PAD	
11	88201064	4	HEX HD CAPSCREW, 1/2-13X7/8, GR5, (Before S/N 0160037722)	
	0641807	4	HEX HD CAPSCREW, 1/2-13X7/8, GR5, (S/N 0160037722 & After)	
12	88561111	4	FLAT WASHER, 1/2, (Before S/N 0160037722)	
	4711800	4	FLAT WASHER, 1/2, (S/N 0160037722 & After)	
13	1001117655	2	WEAR PAD	
14	91401191	AR	SPACER	
	91401451	AR	SPACER	
15	91401453	AR	SHIM	
	91401454	AR	SHIM	
16	88201537	4	HEX HD CAPSCREW, 3/8-24X1-3/4, GR5, (Before S/N 0160037722) , (torque to 32-37 lb-ft)	
	0651614	AR	HEX HD CAPSCREW, 3/8-24X1-3/4, GR5, (S/N 0160037722 & After) , (torque to 32-37 lb-ft)	
	0651616	AR	HEX HD CAPSCREW, 3/8-24X2, GR5, (S/N 0160037722 & After) , (torque to 32-37 lb-ft)	
17	91401212	AR	SHIM, (Before S/N 0160037722)	
	91401213	AR	SHIM, (Before S/N 0160037722)	
	91471227	AR	SHIM, (S/N 0160037722 & After)	
	91471226	AR	SHIM, (S/N 0160037722 & After)	
18	91401223	2	SPACER	
19	91403531	2	WEAR PAD	
20	91401225	2	SPACER	
21	91401218	AR	SHIM, (Before S/N 0160037722)	
	91401219	AR	SHIM, (Before S/N 0160037722)	
	91471228	AR	SHIM, (S/N 0160037722 & After)	
	91471229	AR	SHIM, (S/N 0160037722 & After)	
22	90027471	8	HARDENED WASHER, 1/2	
23	91161222	2	HOLLOW HEX HD CAPSCREW, 1/2-20X1-1/2, (Before S/N 0160037722) , (torque to 45-50 lb-ft)	

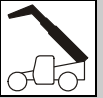


Figure 2-8 Manual Quick Switch Assembly

Item	Part Number	Qty.	Description	Rev.
	91405032	1	MANUAL QUICK SWITCH ASSY, (includes items 3, 4, 7 thru 11, 14 & 18)	F
1		Ref	THIRD BOOM SECTION, (see Figure 2-5 for details)	
2		Ref	TILT CYLINDER, (see Figure 9-3 for details)	
3	88671008	1	LUBE FITTING, STRAIGHT, 1/4-28	
4	3440832	1	ROLL PIN, 1/4X2	
5	91403020	1	HEAD PIN	
6	NSS	2	LUBE FITTING	
7	91403404	1	QUICK SWITCH PIN	
8	91403407	1	QUICK RELEASE PIN	
9	91403411	1	TETHER CABLE	
10	88301193	1	ROUND HD MACHINE SCREW, #10-32X1/2	
11	88561105	1	FLAT WASHER, #10	
12	88521012	1	HEX LOCKNUT, 3/4-10	
13	91403412	1	HEX HD CAPSCREW, 1/2-13X6	
14	91403060	1	QUICK SWITCH CASTING	
15	8310308	1	FLAT WASHER, 1/2	
16	88201067	1	HEX HD CAPSCREW, 1/2-13X1-1/2, GR5	
17	91403405	1	PIN WELDMENT	
18	88221276	1	SOCKET SET SCREW, (flat point), 1/2-13X1/2	

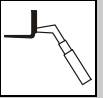


Figure 3-2 Buckets

Item	Part Number	Qty.	Description	Rev.
	91405054	1	60 IN BUCKET, 3/4 ³ YARD, (Before S/N 0160037722)	
	1001100822	1	72 IN BUCKET, 1.0 ³ YARD, (S/N 0160037722 & After)	
	91405055	1	74 IN BUCKET, 1-1/4 ³ YARD, (Before S/N 0160037722)	
	1001100823	1	96 IN BUCKET, 1.5 ³ YARD, (S/N 0160037722 & After)	
	91405071	1	102 IN BUCKET, 1-1/4 ³ YARD, (Before S/N 0160037722)	
	1001100824	1	102 IN BUCKET, 2.0 ³ YARD, (S/N 0160037722 & After)	

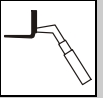


Figure 3-5 Truss Boom With Winch

Item	Part Number	Qty.	Description	Rev.
	91405081	1	10 FT TRUSS BOOM WITH WINCH, (includes items 1 & 3 thru 35)	0
	91405080	1	15 FT TRUSS BOOM WITH WINCH, (includes items 2 thru 35)	0
1	NSS	1	10 FT TRUSS BOOM WELDMENT	
2	NSS	1	15 FT TRUSS BOOM WELDMENT	
3		Ref	WINCH WITH MOTOR, (see Figures 12-26 & 12-27 for details)	
4	NSS	1	S/N PLATE	
6	90403056	1	SHEAVE	
7	2220385	1	SWIVEL NUT RUN TEE, 1/2 TUBE	
8	90402948	1	PIN	
9	88201073	1	HEX HD CAPSCREW, 1/2-13X3, GR5	
10	88501008	1	HEX NUT, 1/2-13	
11	88671001	1	LUBE FITTING, STRAIGHT, 1/8	
12	90207882	1	WIRE ROPE, 3/8 IA	
13	91403448	1	SWIVEL HOOK	
14	90026965	1	THIMBLE	
15	90028990	2	WIRE ROPE CLIP	
16	83201062	4	HEX HD CAPSCREW, 5/8-11X2-1/4	
17	88501010	4	HEX NUT, 5/8-11	
18	90027472	4	HARDENED WASHER, 5/8	
19	84717593	2	HOSE ASSY	
20	91403414	1	MALE QUICK DISCONNECT	
21	91403413	1	FEMALE QUICK DISCONNECT	
22	91413041	1	TRUSS BOOM PRESSURE REDUCER VALVE, (includes seal kit)	
	91414045	1	SEAL KIT	
23	88201024	2	HEX HD CAPSCREW, 5/16-18X2, GR5	
24	88501005	2	HEX NUT, 5/16-18	
25	88551010	2	LOCKWASHER, 5/16	
26	84719732	2	HOSE ASSY	
27	2220374	1	CONNECTOR, (includes item 33)	
28	2220596	2	ELBOW, 90 DEGREE, (includes item 34)	
29	2220726	2	ELBOW, 90 DEGREE	
30	2220499	1	ELBOW, 45 DEGREE, (includes item 33)	
33	88591206	2	O-RING	
34	88591205	4	O-RING	
35	2220373	2	CONNECTOR, (includes two of item 34)	
36	91043125	1	DUST PLUG	
37	91043126	1	DUST CAP	

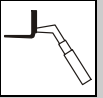


Figure 3-7 Sheet Material Handler

Item	Part Number	Qty.	Description	Rev.
	91405077	1	SHEET MATERIAL HANDLER ASSY, (includes all items)	E
1	NSS	1	CARRIAGE WELDMENT	
2	NSS	1	ATTACHMENT S/N PLATE	
4	90553012	2	SIDE DRYWALL GUARD	
5	88201105	4	HEX HD CAPSCREW, 5/8-11X4, GR5	
6	90200003	4	COLLAR	
7	88521310	4	HEX LOCKNUT, 5/8-11, (nylok)	
8	91401340	2	FORK PIN	
9	88241053	14	SOCKET FLAT HD CAPSCREW, 3/8-16X1-1/2	
10	88551011	8	LOCKWASHER, 3/8	
11	88501006	8	HEX NUT, 3/8-16	
12	90553013	2	BOTTOM DRYWALL GUARD	
13	91403366	2	DRYWALL FORK	

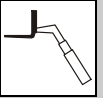


Figure 3-10 Personnel Platform Assy

Item	Part Number	Qty.	Description	Rev.
	91415025	1	PERSONNEL PLATFORM ASSY, (includes items 1 thru 22)	H
1	NSS	1	106 IN PERSONNEL PLATFORM, (includes items 101 thru 120)	
	3510809	1	96 IN PERSONNEL PLATFORM, (includes items 101 thru 120)	
2	91406156	1	ADAPTER SUPPORT	
3	91406069	1	LH SUPPORT BRACKET	
4	91401266	2	PIN	
5	91406070	1	RH SUPPORT BRACKET	
6	88631449	2	ROLL PIN, 1/8X1-1/2	
7	91043221	2	DETENT PIN	
9	88341022	4	DRIVE SCREW	
10	91033039	2	CHAIN CONNECTION	
11	91033038	24 in	CHAIN	
12	0682012	8	HEX HD CAPSCREW, 5/8-11X1-1/2	
13	4762000	8	LOCKWASHER, 5/8	
14	91403230	1	MANUAL HOLDER	
15	8310382	4	WHIZ-LOCK NUT, 1/4-20	
16	31200160	1	PERSONNEL WORK PLATFORM MANUAL	
17	1702773	1	JLG DECAL	
18	1706893	1	WARNING DECAL	
19	1706892	1	WARNING DECAL	
20	1704277	6	LANYARD DECAL	
21	1701509	1	MANUAL DECAL	
22	NSS	1	S/N PLATE	
101	4846265	1	GATE	
102	3539685	1	LATCH PLATE	
103	2940074	1	LATCH	
104	3911008	4	ROUND HD SCREW	
105	3311001	4	HEX NUT, #10-24	
106	4751000	4	WASHER, #10	
107	4761000	4	WASHER	
108	2600216	2	HINGE	
109	0641524	4	HEX HD CAPSCREW, 5/16-18X3	
110	2080063	16	NYLON LOCK NUT, 1/4-20	
111	2080064	14	NYLON LOCK NUT, 5/16-18	
112	3520072	5	CAP PLUG	
113	3573363	1	GUARD PLATE	
114	3641438	1	BENT RAIL	
115	3911428	16	ROUND HD SCREW, 1/4-20X1-3/4	
116	3911528	12	ROUND HD SCREW, 5/16-18X1-3/4	
117	4711400	16	WASHER, 1/4	
118	4711500	32	WASHER, 5/16	
119	4846528	1	BASKET END WELDMENT	
120	3311501	2	HEX NUT, 5/16-18	

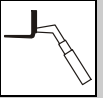


Figure 3-13 Forks

Item	Part Number	Qty.	Description	Rev.
	91403359	6	48 IN CUBING FORK, 2X2, 3,880 lbs, (Before S/N 0160037722)	B
	2340037	6	48 IN CUBING FORK, 2X2, 3,880 lbs	A
	91403364	2	48 IN PALLET FORK, 1-3/4X4, 6,100 lbs, (Before S/N 0160037722) , (100 Degree Swing Carriage With Side Shift, 91405070)	B
	2340045	2	48 IN PALLET FORK, 2.36X4, 10,950 lbs	A
	2340038	2	48 IN PALLET FORK, 2.36X5, 13,700 lbs	A
	91563141	2	48 IN PALLET FORK, 2-1/4X5, 13,700 lbs, (Before S/N 0160037722)	C
	91403366	2	48 IN DRYWALL CARRIAGE FORK, 1-3/4X4, 5,000 lbs, (Before S/N 0160037722) , (Drywall Carriage, 91405077 or 100 Degree Drywall Swing Carriage, 91405078)	B
	91513206	2	48 IN PALLET FORK, 2-1/4X4, 10,950 lbs (Before S/N 0160037722)	D
	91563142	2	60 IN PALLET FORK, 2-1/4X6, 16,300 lbs, (Before S/N 0160037722)	C
	91403580	2	60 IN PALLET FORK, 2X6, 11,300 lbs, (Before S/N 0160037722)	B
	2340046	2	60 IN DUAL TAPER FORK, 1-3/4X7, 10,800 lbs	A
	2340039	2	60 IN DUAL TAPER FORK, 2.36X6, 16,300 lbs	A
	1001092391	2	72 IN DUAL TAPER FORK, 2X6, 11,300 lbs	A
	1001137512	2	90 IN FORK EXTENSION, (not shown), (includes items 1 & 2)	A
1	70024306	1	PIN, (not shown)	
2	70024307	1	CLIP, (not shown)	
N1	Note	Ref	FORKS RATED LESS THAN THE ATTACHMENT OR MACHINE'S CAPACITY DECREASES CAPACITY OF THE ATTACHMENT OR MACHINE TO THAT OF THE FORKS. FORKS RATED MORE THAN THE ATTACHMENT OR MACHINE'S CAPACITY DO NOT INCREASE ATTACHMENT OR MACHINE'S CAPACITY.	
N2	Note	Ref	PLEASE CONSULT JLG PARTS DEPARTMENT TO DETERMINE THE CORRECT FORKS APPLICABLE TO YOUR SPECIFIC CARRIAGE ASSEMBLY & APPLICATION.	

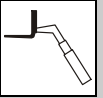


Figure 3-17 Dual Fork Positioning Carriage Assembly

Item	Part Number	Qty.	Description	Rev.
	7301295	1	50 IN DUAL FORK POSITIONING CARRIAGE ASSY, (includes all items)	D
	7301568	1	50 IN DUAL FORK POSITIONING CARRIAGE ASSY, (includes items 1 thru 32)	H
1	2717283	2	FORK POSITIONING CYLINDER	
	8036733	1	SEAL KIT	
2	2717160	2	HOSE ASSY	
3	2717161	2	HOSE ASSY	
4	2717162	2	HOSE ASSY	
5	90200003	2	LOCKING HUB	
6	90451058	1	FORK SHAFT	
7	7301569	1	50 IN CARRIAGE WELDMENT	
8	7301579	2	FORK ADAPTER WELDMENT	
9	8303634	2	HEX HD CAPSCREW, 5/8-11X4, GR5	
10	8303658	4	HEX HD CAPSCREW, 1/2-13X2, GR5	
11	8305643	2	HEX LOCKNUT, 5/8-11	
12	91043126	1	DUST CAP	
13	91043125	1	DUST PLUG	
14	91403413	1	FEMALE QUICK DISCONNECT, (includes items 15 thru 17)	
15	8640029	1	NOSE SEAL	
16	8640028	1	COUPLER BODY SEAL	
17	8640032	1	COUPLER BODY SEAL BACK-UP RING	
18	91403414	1	MALE QUICK DISCONNECT, (includes item 19)	
19	8640029	1	NOSE SEAL	
20	2130606	4	ELBOW, 90 DEGREE	
21	2130608	2	ELBOW, 90 DEGREE	
22	8310302	4	HEX LOCKNUT, 1/2-13	
23	10705034	2	HEX LOCKNUT	
24	4110473	1	HOSE ROUTE WARNING DECAL	
25	7139918	2	DISC ORIFICE	
26	8305624	2	HEX LOCKNUT, 1/4-20	
27	8310435	2	HEX HD CAPSCREW, 1/4-20X3-1/4, GR5	
28	8630003	2	O-RING	
29	4641502	1	VALVE ASSY, (includes items 30 thru 32)	
30	2110606	4	ADAPTER	
31	4641501	1	VALVE BODY	
32	2130606	2	CONNECTOR	
33	7301408	2	PALLET FORK, 60X100X1220mm	
34	NSS	1	S/N PLATE	

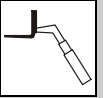


Figure 3-20 8 Ft Side Tilt Electric Mast (Continued)

Item	Part Number	Qty.	Description	Rev.
49	70022934	4	FITTING, 90 DEGREE	
50	70022948	2	LOCKWASHER, M8	
51	70022951	2	CAPSCREW, M8X60	
52	70022935	2	STRAIGHT THREAD ELBOW	
53	70022936	1	FLOW LIMITER	
54	70022937	1	FITTING, 45 DEGREE	
55	70022949	2	LOCKWASHER, M10	
56	70022950	2	HEX SOCKET CAPSCREW	
57	70022938	1	STRAIGHT FITTING, (not shown)	
58	70022939	1	STRAIGHT FITTING	
59	70022940	1	TEE FITTING	
60	91403414	1	MALE QUICK DISCONNECT COUPLING	
61	91403413	1	FEMALE QUICK DISCONNECT COUPLING	
62	91043125	1	DUST PLUG	
63	91043126	1	DUST CAP	
64	70022941	1	HARNESS	
65	70022942	1	HOSE ASSY, (not shown)	
66	70022943	1	HOSE ASSY	
67	70022944	1	HOSE ASSY	
68	70022945	1	HOSE ASSY	
69	70022946	1	HOSE ASSY	
70	70022947	1	HOSE ASSY	
71	70022972	3	WEAR PAD	
72	70022971	8	FLAT HD CAPSCREW	
73	70023001	2	GREASE FITTING	
74	70022975	1	BEARING	
75	70022973	1	PIVOT SHAFT	
76	70022974	2	BEVELED SPACER	
77	70022988	1	RETAINING RING	
78	70022976	1	RETAINER PLATE	
79	2716143	1	TILT CYLINDER	
80	70022977	1	PIN, 128.1mm	
81	70023016	4	SNAP RING, 1-1/4	
82	70022978	1	PIN, 128.1mm	
83	70023000	1	BULKHEAD UNION, (with locknut)	
84	70022999	1	BULKHEAD UNION ELBOW	
85	70022982	1	STRAIGHT THREAD ELBOW	
86	70022980	2	FORK PIN KEEPER	
87	70022949	4	LOCKWASHER, M10	
88	70022991	2	STRAIGHT THREAD ELBOW, 90 DEGREE	
89	70022998	4	CAPSCREW, M10X20	
90	70022966	1	GREASE FITTING	
91	70022979	2	HOSE ASSY	
92	70022990	1	FORK PIN	
93	70022965	1	SHEAVE	
94	70022997	1	LOCKWASHER, M12	
95	70022967	4	HOSE CLAMP	
96	70022962	1	BAR ASSY	
97	70023002	4	CAPSCREW, M6X25	



Figure 4-1 Engine Assembly, LH View - John Deere Engine (Continued)

Item	Part Number	Qty.	Description	Rev.



Figure 4-2 Engine Assembly, RH View - John Deere Engine (Continued)

Item	Part Number	Qty.	Description	Rev.



Figure 4-5 John Deere Engine

Item	Part Number	Qty.	Description	Rev.
	91473016	1	JOHN DEERE ENGINE, (includes all items)	C
	91404220	1	ENGINE CYLINDER HEAD GASKET	
	91404219	1	GASKET OVERHAUL KIT	
	91404221	1	BOLT, BELT TENSIONER	
	91404222	1	SCREW, BELT TENSIONER	
	91404223	1	SHEAVE, BELT TENSIONER	
	91404224	1	OIL COOLER	
	91404225	1	GASKET, OIL COOLER	
	91404226	1	GASKET, OIL COOLER	
	91404227	2	O-RING, OIL COOLER	
	91404228	2	O-RING, OIL COOLER	
	91404229	1	O-RING, WATER PUMP INLET	
	91404230	1	KIT, WATER PUMP INLET	
	70023425	1	SEAL, FRONT MAIN SEAL	
	91404232	1	GASKET, WATER PUMP	
	91404233	1	WATER PUMP	
	91404234	4	GASKET, EXHAUST MANIFOLD	
	91404235	1	PULLEY, FAN	
	91404236	1	SCREW, FAN PULLEY	
	91404237	1	SPACER, FAN PULLEY	
	91404238	1	SLEEVE, FAN PULLEY	
	91404239	1	BEARING HOUSING WITH BEARING	
	7026927	1	GASKET, THERMOSTAT	
	91404241	3	PLUG, OIL PAN	
	91404242	1	GASKET, OIL PAN	
	91404243	2	O-RING, OIL PAN	
	91404244	1	SEAL, INJECTOR	
	91404245	1	VALVE, INJECTOR	
	91404246	1	STEEL, INJECTOR	
	91404247	1	O-RING, INJECTOR	
	91404249	1	INJECTION NOZZLE	
	91474185	1	FLYWHEEL, WITH RING GEAR	
	91404251	1	SEAL, REAR MAIN	
	91404252	1	PULLEY, MAIN	
	91404253	2	GASKET, OIL FILLER	
	91404254	1	PACKING, VALVE COVER NUT	
	91404255	1	PACKING, FILLER CAP	
	91404256	4	PLUG, VALVE COVER	
	91404257	1	GASKET, VALVE COVER	
	91404258	1	FILLER CAP, VALVE COVER	
	91404259	4	O-RING, VALVE COVER	
	91404260	1	COOLANT, PRE-MIX (2.5 gal)	
	91404261	1	COOLANT CONDITIONER	
	91404262	1	FUEL TRANSFER PUMP	
	91404263	1	THERMOSTAT	
	91404264	1	THERMOSTAT COVER SEAL	
	91474629	1	ALTERNATOR BRACKET	
	91474630	1	ALTERNATOR SUPPORT	
	91474631	1	ALTERNATOR STRAP	



Figure 4-5 John Deere Engine (Continued)

Item	Part Number	Qty.	Description	Rev.



Figure 4-8 Fuel Tank & Lines

Item	Part Number	Qty.	Description	Rev.
	1001098934	Ref	FUEL TANK INSTALLATION, (S/N 0160040678 thru 0160045080), (not available to order, see items 1 thru 13 for service)	C
	1001130780	1	FUEL TANK INSTALLATION, (S/N 0160045081 & After), (includes items 3, 5, 6, 7, 10, 13 & 14)	B
1	1320022	1	BAND CLAMP, (Before S/N 0160045081)	
2	1320030	1	HOSE CLAMP, (Before S/N 0160045081)	
3	1671313	1	FUEL SENDER COVER	
4	2720058	122 in	FUEL LINE, 5/16, (Before S/N 0160045081)	
5		Ref	FUEL TANK ASSY, (Before S/N 0160045081), (see Figure 4-8 for details)	D
	1001134413	1	FUEL TANK, (S/N 0160045081 & After)	A
6	4923452	1	FUEL SENDER HARNESS	
7	88302192	4	ROUND HD SLOTTED MACHINE SCREW, #10-32X7/16	
8	1001091892	122 in	BULK HOSE, (Before S/N 0160045081)	
9	1001091893	1	BARBED ADAPTER, 90 DEGREE, (Before S/N 0160045081)	
10	1001148837	1	FUEL LEVEL SENDER	
12	1001133019	1	HOSE BARB ADAPTER, (Before S/N 0160045081)	
13	0100093	AR	LOCTITE® 30512™	
14	1001130776	2	HOSE BARB ADAPTER, (S/N 0160045081 & After)	
101	88711283	1	HEX SOCKET PIPE PLUG, 1/2	
215	4761600	3	LOCKWASHER, 3/8	
227	91401198	1	FUEL TANK HOLD DOWN	
239	4751600	3	WASHER, 3/8	
240	0641610	3	HEX HD CAPSCREW, 3/8-16X1-1/4, GR5	
266	90206195	12 in	TRIM-LOCK	
319	8410009	6	HOSE CLAMP, (S/N 0160045081 & After)	
327	1001102931	2	BOLT, M14	
328	1001102933	4	SEAL	
329	1001113511	2	BANJO ADAPTER, M14X3/8	
348	1001136897	249 in	HOSE, (S/N 0160045081 & After)	
401	1001093641	1	NON-LOCKING FUEL TANK CAP, (if equipped)	
402	1001102657	1	LOCKING FUEL TANK CAP, (includes items 451 thru 453), (if equipped)	
451	1001001422	1	FILLER NECK ADAPTER	
452	1001080707	1	CAP	
453	0100093	AR	LOCTITE® 30512™	
501		Ref	FUEL FILTER, (see Figure 4-7 for details)	



Figure 4-11 Radiator Assembly - Cummins Engine (Continued)

Item	Part Number	Qty.	Description	Rev.



Figure 4-14 Air Cleaner & Installation - Cummins Engine

Item	Part Number	Qty.	Description	Rev.
	1001110079	Ref	AIR CLEANER INSTALLATION, (S/N 0160040735 thru 0160045456 excluding 0160043800), (not available to order, see items 2 thru 5 for service)	D
	1001138961	Ref	AIR CLEANER INSTALLATION, (S/N 0160045464 & After including 0160043800), (not available to order, see items 2 thru 5, 507 thru 557 for service)	B
2	1001110055	1	BRACKET, (S/N 0160040735 thru 0160045456 excluding 0160043800)	
	1001138958	1	BRACKET, (S/N 0160045464 & After including 0160043800)	
3	1001116505	Ref	AIR CLEANER INSTALLATION, (not available to order, see items 101 thru 103 for service)	A
5	5200814	4	RIPP BOLT, 8X30mm	
101	1001109038	1	AIR CLEANER ASSY, 11 IN, (includes items 201 thru 204)	D
102	91563129	1	RESTRICTION INDICATOR	
103	86983648	1	ELBOW, 90 DEGREE	
201	70023195	1	COVER ASSY	
202	7026573	1	PRIMARY ELEMENT	
203	7026572	1	SAFETY ELEMENT	
204	8273291	1	VACUATOR VALVE	
321	90028631	1	HEAVY DUTY BAND CLAMP	
330	1001116418	1	T-BOLT CLAMP	
340	1001119967	1	AIR INTAKE PIPE	
420	1001111903	1	AIR FILTER INTAKE ADAPTER	
421	1001111904	1	FOAM SEAL	
422	91563134	1	BAND CLAMP	
507	0760610	1	HEX HD CAPSCREW, 6X20mm, GR8.8	
516	4811700	1	WASHER, 6mm	
557	1001122220	1	AIR FILTER SUPPORT, (S/N 0160040735 thru 0160045456 excluding 0160043800)	
	1001142943	1	AIR FILTER SUPPORT, (S/N 0160045464 & After including 0160043800)	



Figure 4-18 Dana Transmission Installation

Item	Part Number	Qty.	Description	Rev.
	1001133364	Ref	DANA TRANSMISSION INSTALLATION, (not available to order, see items 1 thru 15 for service)	C
1	0100011	AR	LOCTITE® 242™	
2	0711014	9	HEX HD CAPSCREW, M10X30, GR10.9	
3	0761010	8	HEX HD CAPSCREW, M10X1-1/2X20	
4		Ref	CONNECTOR, (includes o-ring), (see Figure 8-1 for details)	
6		Ref	CONNECTOR, (includes o-ring), (see Figure 8-1 for details)	
7	4812000	18	WASHER, 10mm	
8	8405007	1	GEAR CLAMP	
9		Ref	DANA TRANSMISSION, (see Figure 4-19 for details)	
10		Ref	DANA TRANSMISSION HARNESS, (see Figure 10-5 for details)	
11	1001138972	1	DRAIN HOSE	
12	1001143721	1	OIL DRAIN VALVE	
13	91563121	1	TRANSMISSION TEMPERATURE SWITCH	
14	91513234	1	SOCKET HD CAPSCREW, M10X1-1/2X30, GR 10.9, (torque to 53-58 lb-ft)	
15	0100020	AR	LOCTITE® 567™	

Before S/N 0160040678 &
 S/N 0160045464 & After
 including 0160043800

ENGINE & ATTACHING PARTS



Figure 4-22 Dana Transmission - Gear Group

Item	Part Number	Qty.	Description	Rev.
1	7028060	1	GEAR & BEARING ASSY, (includes items 2 & 3)	
2	91474230	2	BEARING	
3	91474231	1	SPACER	
4	91474232	1	GEAR & BEARING ASSY, (includes items 5 & 6)	
5	91474230	2	BEARING	
6	91474231	1	SPACER	
7	91474391	1	GEAR & BEARING ASSY, (includes items 8 & 9)	
8	91474387	2	BEARING	
9	91474388	1	SPACER	
10	91474389	1	THIRD CLUTCH GEAR & BEARING ASSY, (includes item 11)	
11	91474236	2	BEARING	
12	91474390	1	FIRST CLUTCH GEAR & BEARING, (includes item 13)	
13	91474230	2	BEARING	
14	91474239	1	SECOND CLUTCH GEAR & BEARING, (includes item 15)	
15	91474230	2	BEARING	
16	91474393	1	THIRD DRIVEN GEAR	
17	91474394	1	OUTPUT SHAFT GEAR	
18	91474395	1	REVERSE IDLER GEAR	
19	91474396	1	FIRST DRIVEN GEAR	



Figure 4-27 Dana Transmission - 3rd Shaft Group

Item	Part Number	Qty.	Description	Rev.
1	91474301	1	SHAFT DRUM & PLUG ASSY	
2	91474302	1	ROLLER BEARING	
3	91474303	1	BEARING & SEAL ASSY	
4	91474304	1	WASHER	
5	10868284	1	OIL DISTRIBUTOR SLEEVE	
6	91474306	1	SLEEVE RETAINING SCREW	
7	10837060	2	PISTON RING	
8	91474307	1	PISTON & SEAL ASSY, (includes items 9 & 10)	
9	91474288	1	OUTER SEAL	
10	91474289	1	INNER SEAL	
11	91474296	5	OUTER DISC	
12	91474297	5	INNER DISC	
13	91474308	1	END PLATE	
14	91474309	1	SNAP RING	
15	10868277	1	WEAR PLATE	
16	91474310	1	DISC SPRING ASSY	
17	91474294	1	SNAP RING	
18	91474295	1	SNAP RING	
19	91474311	2	BEARING	
20	91474312	4	THRUST WASHER	
21	91474313	3	SNAP RING	
22		Ref	BEARING, (three speed) , (see Figure 4-22 for details)	
		Ref	BEARING, (four speed) , (see Figure 4-22 for details)	
23		Ref	SPACER, (three speed) , (see Figure 4-22 for details)	
24		Ref	SPACER, (four speed) , (see Figure 4-22 for details)	

S/N 0190001 thru 0190457 &
 0160000022 thru 0160011034
 including 0160011878

ENGINE & ATTACHING PARTS



Figure 4-30 Dana Transmission - Electric Control Group

Item	Part Number	Qty.	Description	Rev.
1	91474325	5	SOLENOID ASSY, (includes items 2 thru 8 & 10)	
2	91474326	5	VALVE CARTRIDGE, (includes items 3 thru 6)	
3	8035081	5	O-RING	
4	8035082	5	O-RING	
5	10868329	5	O-RING	
6	10868330	8	O-RING	
7	91474331	8	O-RING	
8	91474332	10	SOLENOID COIL	
9	91474352	2	LOWER PIN	
10	91474334	5	RETAINER NUT	
11	10868323	1	PROTECTIVE COVER	
12	91474336	2	SCREW	
13	8035075	2	LOCKWASHER	
14	91474338	2	HOUSING	
15	91474339	2	O-RING	
16	91474340	2	INNER SPRING	
17	91474341	2	MIDDLE SPRING	
18	91474342	2	OUTER SPRING	
19	91474343	2	SLEEVE	
20	91474344	2	O-RING	
21	91474345	2	PIN	
22	91474346	2	SPOOL	
23	91474347	2	SPOOL	
24	91474348	2	SPRING	
25	91474349	2	SPRING RETAINER	
26	91474350	2	SPRING SPACER	
27	91474351	2	UPPER PIN	



Figure 4-34 ZF Transmission Assembly

Item	Part Number	Qty.	Description	Rev.
	4540020	1	ZF TRANSMISSION ASSY, (includes all items)	C
1		Ref	TORQUE CONVERTER & INPUT, (see Figure 4-35 for details)	
2		Ref	GEARBOX HOUSING, (see Figure 4-36 for details)	
3		Ref	FORWARD GEAR GROUP, (see Figure 4-37 for details)	
4		Ref	REVERSE GEAR GROUP, (see Figure 4-38 for details)	
5		Ref	1ST SHAFT GROUP, (see Figure 4-39 for details)	
6		Ref	2ND SHAFT GROUP, (see Figure 4-40 for details)	
7		Ref	3RD SHAFT GROUP, (see Figure 4-41 for details)	
8		Ref	4TH SHAFT GROUP, (see Figure 4-42 for details)	
9		Ref	POWER TAKE-OFF, (not shown), (see Figure 4-43 for details)	
10		Ref	CONTROL UNIT & PRESSURE REGULATOR, (see Figure 4-44 for details)	
11		Ref	GEARSHIFT SYSTEM, (see Figure 4-45 for details)	
12		Ref	OIL PUMP, FILTER & DIPSTICK, (see Figure 4-46 for details)	
13		Ref	TRANSFER BOX, (see Figure 4-47 for details)	
K1	7026797	1	SEAL KIT, (includes all seals required for rebuild)	



Figure 4-39 ZF Transmission - 1st Shaft Group

Item	Part Number	Qty.	Description	Rev.
1	7026761	2	PISTON RING	
2	1319608	1	ROLLER BEARING	
3	1319591	1	COUPLING	
4	8036575	1	PISTON	
5	1319595	5	CUP SPRING	
6	1319596	1	SHIM	
7	10731845	2	RETAINING RING	
8	7026758	12	FRICTION DISC	
9	7026759	12	STATIC DISC	
10	7026760	1	END SHIM	
11	1319600	AR	SNAP RING, 4.0	
	7029850	AR	SNAP RING, 3.75	
	1319601	AR	SNAP RING, 3.5	
	7029849	AR	SNAP RING, 3.25	
	1319602	AR	SNAP RING, 3.0	
	7029852	AR	SNAP RING, 2.75	
	1319603	AR	SNAP RING, 2.5	
	7029851	AR	SNAP RING, 2.25	
	1319604	AR	SNAP RING, 2.0	
12	1319606	2	ROLLER CAGE	
13	1319607	1	DISC CARRIER	
14	7029532	1	ROLLER BEARING	
15	7029533	1	INNER RING	



Figure 4-44 ZF Transmission - Control Unit & Pressure Regulator

Item	Part Number	Qty.	Description	Rev.
1	7026782	1	VALVE	
2		Ref	HOUSING, (see Figure 4-36 for details)	
3	8036529	3	SOLENOID VALVE	
4	NSS	4	CAPSCREW, M6X12, GR8.8	
5	NSS	4	BRACKET	
6	7026784	1	COMPRESSED SPRING	
7	7026783	1	PISTON	
8	7026776	1	GASKET	
9	7026777	1	PLATE	
10	7026780	46	HEX HD CAPSCREW	
11	7026779	1	INTERMEDIATE SHEET	
12	7026778	1	COMPRESSED SPRING	
13	10731761	1	BALL	
14		Ref	VALVE HOUSING, (see Figure 4-45 for details)	
15	10731756	16	WASHER	
16	7026781	16	HEX HD CAPSCREW, M8X60, GR10.9	
17	8036528	1	SOLENOID VALVE	

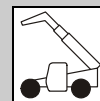


Figure 5-1 Front Axle Installation - Carraro

Item	Part Number	Qty.	Description	Rev.
	91475003	Ref	FRONT AXLE INSTALLATION, (not available to order, see items 1 thru 11 for service)	
1		Ref	FRONT AXLE, (see Figure 5-2 for details)	
2	84719649	2	HOSE ASSY	
3	91143051	2	BUSHING	
4	77101143	4	HEX HD CAPSCREW, 1-8X10, (Loctite® & torque to 545-595 lb-ft)	
5	90027475	4	FLAT WASHER	
6	91475044	1	SWAY LUG ASSY, (includes item 3)	
7	91471034	2	RETAINER PLATE	
8	80233141	4	CONNECTOR	
9	91473086	2	ELBOW, 90 DEGREE	
10	91473025	1	SERVICE BRAKE TUBE	
11	91473026	1	PARK BRAKE TUBE	

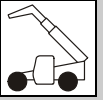


Figure 5-6 Front Differential - Carraro

Item	Part Number	Qty.	Description	Rev.
1	91474120	1	DIFFERENTIAL KIT, (includes items 2 & 3)	
2	91474121	3	THRUST WASHER	
3	91474122	2	SHAFT	
4	91474123	2	DIFFERENTIAL COUNTER DISC	
5	91474124	10	DIFFERENTIAL DISC	
6	91474125	8	DIFFERENTIAL DISC	
7	91474126	2	LOCKING PLATE	
8	8035180	2	BOLT, M6X1X10	
9	91474128	2	RING NUT	
10	91474129	2	BEARING	
11	91474130	12	BOLT, M10X1-1/2X75	
12	91474131	1	DIFFERENTIAL HOUSING	

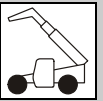


Figure 5-11 Rear Axle Installation - Carraro

Item	Part Number	Qty.	Description	Rev.
1	91475002	Ref	REAR AXLE ASSY, (not available to order, see items 1 thru 3 for service)	C
2	84719649	2	HOSE ASSY	
2		Ref	REAR AXLE, (see Figure 5-12 for details)	
3	91473086	2	ELBOW, 90 DEGREE	

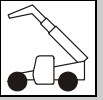


Figure 5-16 Rear Differential - Carraro

Item	Part Number	Qty.	Description	Rev.
1	91474175	1	DIFFERENTIAL KIT, (includes items 2 thru 4)	
2	91474122	2	SHAFT	
3	91474121	4	THRUST WASHER	
4	91474176	2	DIFFERENTIAL COUNTER DISC	
5	8035180	2	BOLT	
6	91474126	2	LOCKING PLATE	
7	91474128	2	RING NUT	
8	91474129	2	BEARING	
9	91474130	2	BOLT	
10	91474131	2	DIFFERENTIAL HOUSING	

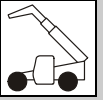


Figure 5-20 Front Axle Installation - Dana

Item	Part Number	Qty.	Description	Rev.
	1001097742	Ref	FRONT AXLE INSTALLATION, (DANA), (not available to order, see items 1 thru 13 for service)	D
1		Ref	FRONT AXLE, (see Figure 5-21 for details)	
2	91475074	1	SWAY LUG ASSY, (includes item 101)	B
3	91471213	2	RETAINING PLATE	
4	90027475	8	HARDENED WASHER	
5	0682676	4	HEX HD CAPSCREW, 1-8X9-1/2, GR8	
6	2170806	1	SWIVEL TEE-FITTING, (includes o-ring)	
7	2144605	3	STRAIGHT FITTING, (includes o-ring)	
8	2130808	2	ELBOW, 90 DEGREE, (includes o-ring)	
9	8770109	1	ELBOW, 90 DEGREE, (includes o-ring)	
10	2170706	1	TEE FITTING, (includes o-ring)	
11	1001097744	2	HOSE ASSY	
12	1001097745	2	HOSE ASSY	
13	1001110445	1	HOSE ASSY	
14	77323029	1	CLAMP	
15	77133137	1	COVER	
16	0641514	1	HEX HD CAPSCREW, 5/16-18X1-3/4, GR5	
17	77133136	1	CLAMP SET	
18	77133306	1	STACK BOLT	
101	91143051	2	BUSHING	

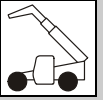


Figure 5-25 Front Differential - Dana

Item	Part Number	Qty.	Description	Rev.
1	91514134	2	CYLINDER BOLT	A
2	91474547	2	RING NUT	
3	91474548	2	ROLLER BEARING	
4	91514123	12	BOLT	
5		Ref	BEVEL GEAR, (see Figure 5-24 for details)	
6	8007755	1	CLUTCH DISC KIT	
7	8007751	1	DIFFERENTIAL CARRIER, (S/N 0160000847 thru 0160046271)	
	91474595	1	DIFFERENTIAL CARRIER, (S/N 0160046273 & After)	
8	91474554	4	DIFFERENTIAL PINION, (Before Axle S/N FITA723106)	
	7028709	4	DIFFERENTIAL PINION, (Axle S/N FITA723106 thru S/N FITA780810)	
	7029129	4	DIFFERENTIAL PINION, (Axle S/N FITA780810 & After)	
9	91474549	2	DIFFERENTIAL SIDE GEAR, (S/N 0160000847 thru 0160046271)	
	91474594	2	DIFFERENTIAL SIDE GEAR, (S/N 0160046273 & After)	
10	91474550	4	CIRCLIP	
11	91474551	4	CIRCLIP	
12	91474552	4	PIN, (Before Axle S/N FITA780810)	
	7029131	4	PIN, (Axle S/N FITA780810 & After)	
13	91474553	4	FRICITION WASHER	
14	91474591	4	CYLINDER BOLT	
K1	8007752	1	DIFFERENTIAL KIT, (Before Axle S/N FITA723106), (includes items 6 thru 13)	
K2	7028710	1	DIFFERENTIAL KIT, (Axle S/N FITA723106 & After), (includes items 6 thru 13)	
K3	91474596	1	DIFFERENTIAL KIT, (S/N 0160046273 & After), (includes items 6 thru 13)	

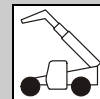


Figure 5-30 Rear Axle Assembly - Dana

Item	Part Number	Qty.	Description	Rev.
	91475076	Ref	REAR AXLE ASSY, (not available to order, see items 1 thru 6 for service)	E
1		Ref	REAR AXLE, (see Figure 5-31 for details)	
2	8770064	2	FITTING, M14X1-1/2	
3	84719846	1	HOSE ASSY, (S/N 0160000847 thru 0160037149)	
	1001103647	1	HOSE ASSY, (S/N 0160037150 & After)	
4	2220579	1	SWIVEL NUT BRANCH TEE, 3/8 TUBE	
5	2220596	2	ELBOW, 90 DEGREE, (includes item 7)	
6	84719936	2	HOSE ASSY	
7	88591205	2	O-RING	

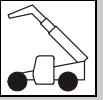


Figure 5-34 Rear Gear Components - Dana

Item	Part Number	Qty.	Description	Rev.
1	91474528	1	NUT	
2	91474529	1	O-RING	
3	91474530	1	FLANGE, (S/N 0160000847 thru 0160037722 including 0160037786)	
	70022797	1	FLANGE, (S/N 0160037749 & After excluding 0160037786)	
4	91474531	1	COVER PLATE	
5	91474532	1	SEAL	
6	91474533	1	RING NUT	
7	3968141	2	TAPER ROLLER BEARING	
8	91474535	1	SHIM	
	91474536	1	SHIM	
	91474537	1	SHIM	
	91474538	1	SHIM	
9	91474539	1	SPACER	
10	91474540	1	SHIM	
	91474541	1	SHIM	
	91474542	1	SHIM	
	91474543	1	SHIM	
11	91474592	1	BEVEL GEAR SET	

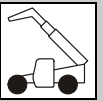


Figure 5-38 Rear Wheel Hub - Dana

Item	Part Number	Qty.	Description	Rev.
1	7028721	2	SEAL	A
2	91474576	4	BEARING	
3	80214120	20	WHEEL STUD	
4	7029737	2	WHEEL HUB	
6	91514181	2	O-RING	
7	91474579	2	CIRCLIP	
8	91474580	2	RING GEAR	
9	91474581	2	RING GEAR SUPPORT	
10	91474582	2	LOCKING PLATE	
11	91474583	20	STUD	
12	91474584	20	NUT	

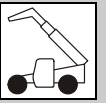


Figure 5-41 Tires & Rims (Continued)

Item	Part Number	Qty.	Description	Rev.



Figure 6-4 Cab Door Assembly

Item	Part Number	Qty.	Description	Rev.
1	91404292	1	HOLD OPEN PLATE	
2	91404294	1	LH SIDE PANEL FOAM	
3	91404300	1	RUBBER BUMPER	
4	80384218	1	DOOR STRAP	
5	91334031	1	HEX NUT, 5/16-18	
6	91404303	1	DOOR HOLD OPEN ASSY	
7	91404304	1	WASHER	
8	80384205	2	HEX BOLT, 0.375-16X4	
9	91404305	1	HEX BOLT, 0.375-16X5	
10	91404306	3	HEX NUT, 0.375-16	
11	91474481	1	LOWER DOOR ASSY, (includes items 13 thru 29, 8 ft of item 30, items 31, 32, 34 & 35)	
	70023193	1	LOWER DOOR WELDMENT, (includes hinges)	
12	91474482	1	UPPER DOOR ASSY, (includes 11 ft of item 30, item 33 & 36 thru 43)	
13	91404309	1	EXTERIOR RELEASE DOOR ROD	
14	91404310	1	INTERIOR RELEASE DOOR ROD	
15	91404311	1	PLASTIC DOOR COVER	
16	91404312	1	FOAM, 0.50, LOWER DOOR	
17	91404313	6	CTR. LOCKNUT, #10-24	
18	80384191	6	WHIZ-LOCK SCREW, #10-24X1/2	
19	91404314	2	FLAT HD SCREW, 1/4-20X1-1/4	
20	91404315	1	RH WINDOW RELEASE & LH DOOR LEVER	
21	80384192	1	HANDLE	
22	80384187	3	CLIP	
23	80384184	1	PADDLE LATCH	
24	80384186	1	CAM LATCH	
25	80264066	3	SCREW, M5X1X12	
26	80364088	2	INSERT NUT, 1/4-20	
27	91404316	1	DIE CAST GRAB HANDLE	
28	91404317	1	SCREW, #8-32X1.12	
29	91404318	1	NYLOCK NUT, #8-32	
30	80364001	19 ft	BULB SEAL, P-STEM	
31	80384189	4	HEX SCREW, 1/4-20X0-3/4	
32	91404319	1	LH SLAM LATCH	
33	91344018	AR	BLUE LOCTITE®	
34	91404320	1	SLAM LATCH STIFFENER	
35	91404321	1	LOWER DOOR DRIVE BAR WELDMENT	
36	91474492	1	DOOR, HOLD OPEN	
37		Ref	UPPER DOOR GLASS, (see Figure 6-5 for details)	
38	91404323	1	SLAM LATCH STRIKER	
39	91404324	2	HEX BOLT, 5/16-18X5/8	
40	91404302	AR	ACTIVATOR, SIKA	
41	91334032	2	FLAT WASHER, 0.313X3/4X0.06	
42	80364009	AR	SEALANT	
43	91344046	AR	SEALANT/ADHESIVE	
44		Ref	LH SIDE GLASS WINDOW, (see Figure 6-5 for details)	

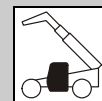


Figure 6-8 Instrument Panel

Item	Part Number	Qty.	Description	Rev.
	91473097	1	INSTRUMENT PANEL, (includes all items)	
2	91334038	1	CONNECTOR	
3	91474463	2	STRAIN RELIEF, 90 DEGREE	
4	91404331	1	CONNECTOR	
5	77363265	AR	RELAY	
6	90205688	1	HOUR METER	
7	91404329	1	PARK BRAKE SWITCH, (includes item 17)	
8	91404336	1	4 IN 1 GAUGE	
9	91404330	1	HORN SWITCH, (includes item 18)	
10	91033317	1	IGNITION SWITCH	
	77384578	1	KEY	
11	91474464	1	STEER SELECT SWITCH, (includes item 18)	
12	91503105	1	RECEPTACLE	
13	91404333	1	SMALL GAUGE BRACKET	
14	91404332	1	LARGE GAUGE BRACKET	
15	91404334	4	LAMP ASSY, (includes item 16)	
16	91404335	4	BULB	
17	91404350	1	ACTUATOR	
18	91404349	2	ACTUATOR	
19	77363268	AR	15 AMP FUSE	
20	77363267	AR	10 AMP FUSE	
K1	91474628	1	INSTRUMENT PANEL KIT, (includes clear lexan panel, black decal, round gauge cover & six screws)	



Figure 7-1 Tilt & Frame Level Joystick Installation

Item	Part Number	Qty.	Description	Rev.
	91475033	Ref	TILT & FRAME LEVEL JOYSTICK INSTALLATION, (if equipped), (not available to order, see items 1 thru 7 for service)	F
1		Ref	TILT & FRAME LEVEL JOYSTICK ASSY, (see Figure 7-2 for details)	
2	91473146	2	CONTROL CABLE	
3	91416013	1	RH CONTROL BRACKET	
4	88201006	4	HEX HD CAPSCREW, 1/4-20X1-1/4, GR5	
5	88561107	4	FLAT WASHER, 1/4	
6	91416017	2	WELD NUT PLATE WELDMENT	
7	88551009	4	LOCKWASHER, 1/4	
101	88201020	3	HEX HD CAPSCREW, 5/16-18X1, GR5	
103	4761500	3	LOCKWASHER, 5/16	



Figure 7-4 Steering Column & Attaching Parts

Item	Part Number	Qty.	Description	Rev.
	91515033	Ref	STEERING CONTROL ASSY, (not available to order, see items 11, 16, 17, 18, 20, 22, 23 & two of item 15 for service)	B
1	7026477	1	HORN CAP	
2	70020923	1	STEERING WHEEL NUT, (torque to 29-34 lb-ft)	
3	91475048	Ref	STEERING WHEEL ASSY, (not available to order, see items 4 & 5 for service)	B
4	91563208	1	STEERING WHEEL, (includes items 1 & 24)	F
5	91413016	1	SPINNER KNOB, (includes items 6 & 7)	
6	91414028	1	LOCKWASHER, 1/2	
7	91414029	1	HEX NUT, 1/2-13	
8	91473061	1	SHIFTER, 3 SPEED, (if equipped) , (includes items 9 & 10)	
	91473031	1	SHIFTER, 4 SPEED, (if equipped) , (includes items 9 & 10)	
9	83191059	2	SOCKET HD CAPSCREW, M5X0.8, (torque to 30-35 lb-ft)	
10	NSS	1	CLAMP SET	
11	91513125	1	STEERING COLUMN	
12		Ref	INSTRUMENT PANEL HARNESS, (see Figure 6-8 for details)	
13	86683122	2	TIE WRAP	
14	0641608	2	HEX HD CAPSCREW, 3/8-16X1, GR5	
15	88551011	4	LOCKWASHER, 3/8	
16	88201033	2	HEX HD CAPSCREW, 3/8-16X3/4, GR5	
17	91123126	1	STEERING CONTROL UNIT	
18	2220466	1	ELBOW, 90 DEGREE, (includes o-ring)	
20	2220373	4	CONNECTOR, (includes o-ring)	
22	14404043	AR	LOCTITE® 545™	
23	0100011	AR	LOCTITE® 242™	
24	7026478	1	SPINNER KNOB	
101	91471129	1	SHIFTER SPACER, (not used with 91513125 steering column), (S/N 0190001 thru 0160000872)	
K1	91144190	Ref	STEERING CONTROL UNIT SEAL KIT	

CLICK HERE TO **DOWNLOAD** THE COMPLETE MANUAL

- Thank you very much for reading the preview of the manual.
- You can download the complete manual from: www.heydownloads.com by clicking the link below



- Please note: If there is no response to CLICKING the link, please download this PDF first and then click on it.

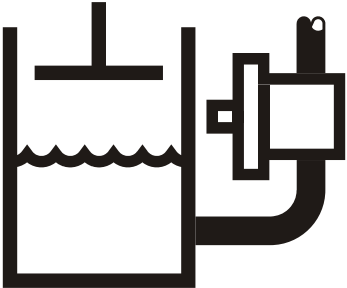
CLICK HERE TO **DOWNLOAD** THE COMPLETE MANUAL



Figure 7-5 Brake Pedal Installation

Item	Part Number	Qty.	Description	Rev.
	1001091173	Ref	BRAKE PEDAL INSTALLATION, (not available to order, see items 1 thru 19 for service)	F
1		Ref	POWER BRAKE ASSY, (see Figure 9-10 for details)	
2	1001091118	1	BRAKE PEDAL BRACKET	
3	1001090741	1	BRAKE PEDAL	
4	91476031	1	PIVOT PIN	
5	0641608	1	HEX HD CAPSCREW, 3/8-16X1, GR5	
6	4761600	1	LOCKWASHER, 3/8	
7	0701014	4	HEX HD CAPSCREW, 10X30mm, GR8.8	
8	4832000	4	SPRING LOCKWASHER, 10mm	
10	2221257	1	CONNECTOR	
11	8770258	1	CONNECTOR	
13	2172106	2	ELBOW, 90 DEGREE, (swivel nut)	
14	2221244	1	ADAPTER	
15	91513180	2	ACTUATOR	
16	91511145	1	TIE BAR	
17	2144605	1	CONNECTOR	
19	3020039	AR	MOLY PASTE	
117	2220619	1	ADAPTER	
201	0100011	AR	LOCTITE® 242™	
206	0641508	4	HEX HD CAPSCREW, 5/16-18X1, GR5	
223	4751500	4	WASHER, 5/16	
225	4761500	4	LOCKWASHER, 5/16	

SECTION 8 HYDRAULIC CIRCUITS



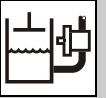


Figure 8-1 Priority Valve (Continued)

Item	Part Number	Qty.	Description	Rev.

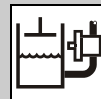


Figure 8-4 Service/Parking

Item	Part Number	Qty.	Description	Rev.
1		Ref	SERVICE BRAKE TUBE, (see Figure 5-1 for details)	
2		Ref	PARK BRAKE TUBE, (see Figure 5-1 for details)	
3	84719604	1	HOSE ASSY	
4	84719756	1	HOSE ASSY	
5	91473134	1	TUBE ASSY	
6	91473067	1	TUBE ASSY	
7	84719630	1	HOSE ASSY	
8	88662064	1	ELBOW, 90 DEGREE, (includes item 9)	
9	88591204	2	O-RING	
10	2220606	1	RUN TEE, (includes item 9)	
11	91143172	1	TEST COUPLING	
12		Ref	PRIORITY VALVE, (see Figure 9-11 for details)	
13	88662105	1	ELBOW, 90 DEGREE, (swivel nut)	

Figure 8-6 Lift Cylinder

Item	Part Number	Qty.	Description	Rev.
1		Ref	LIFT CYLINDER, (see Figure 9-1 for details)	
2	91413013	2	HYDRAULIC SWIVEL	
3	84719733	2	HOSE ASSY	
4	91473173	1	TUBE ASSY	
5	91473172	1	TUBE ASSY	
6		Ref	MAIN CONTROL VALVE, (see Figure 9-6 for details)	
7	2220947	2	CONNECTOR, (includes item 8)	
8	88591206	2	O-RING	
9	77133139	1	CLAMP SET	
10	77133140	1	COVER PLATE	
11	77133177	1	HEX HD CAPSCREW, 5/16-18X1-3/8	
12	88661102	2	MALE ELBOW, 90 DEGREE 1/8X3/16 TUBE	
13	84718545	2	HOSE ASSY	
14	86683122	AR	TIE WRAP	
15	88661002	2	MALE CONNECTOR, 1/8X3/16 TUBE	
16	88671001	2	LUBE FITTING, STRAIGHT 1/8	

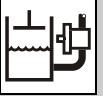


Figure 8-8 Tilt & Tilt Compensating Cylinder

Item	Part Number	Qty.	Description	Rev.
39	1001098361	1	HYDRAULIC TUBE ASSY	
44	1001102623	1	HYDRAULIC TUBE ASSY	
52		Ref	SPECIAL TUBE CLAMP, (see Figure 8-6 for details)	
104	1001112207	2	HOSE ASSY	
105	0903293	1	HOSE RETAINER	
106	88501006	2	HEX NUT, 3/8-16	
107	2171106	2	BULKHEAD UNION, 9/16-18X3/8, TUBE	
122	4761600	2	LOCKWASHER, 3/8	
173		Ref	TILT CYLINDER, (see Figure 9-3 for details)	
179	1001101617	2	HOSE ASSY	
180	2130610	2	ELBOW, 90 DEGREE	
181	2171206	2	BULKHEAD FITTING, 90 DEGREE	
185	2221253	2	FITTING, 90 DEGREE	
187	4711600	2	FLAT WASHER, 3/8	
189	0641607	2	HEX HD CAPSCREW, 3/8-16X7/8, GR5	
193	1001090364	1	HOSE BRACKET	
194	77133168	3	CLAMP SET	
195	77133140	3	COVER PLATE	
196	0641511	3	HEX HD CAPSCREW, 5/16-18X1-3/8, GR5	
197	91083216	2	CLAMP	
213	1001001332	2	TUBE ASSY	
307		Ref	COMPENSATING CYLINDER, (see Figure 9-4 for details)	
309	2130808	1	ELBOW, 90 DEGREE, (includes o-ring)	
310	2170208	1	ELBOW, 90 DEGREE, (swivel nut)	
318	1001101588	1	HOSE ASSY	
319	1001101589	1	HOSE ASSY	
320	1001101591	1	HOSE ASSY	
321	1001101592	1	HOSE ASSY	
402	2110810	2	ADAPTER, STRAIGHT, (includes o-ring)	
410		Ref	MAIN CONTROL VALVE, (see Figure 9-6 for details)	
519	91043147	2	SUPPORT CLAMP	
531		Ref	MAIN CONTROL VALVE, TILT ON JOYSTICK WITH AUX, (see Figure 9-16 for details)	
532	1001128535	1	HOSE ASSY	
533	1001128536	1	HOSE ASSY	
612	2170206	1	ELBOW, 90 DEGREE, (includes o-ring)	
613	2110606	1	STRAIGHT, (includes o-ring)	
712		Ref	HEX HD CAPSCREW, (see Figure 8-3 for details)	

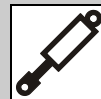


Figure 9-1 Lift Cylinder

Item	Part Number	Qty.	Description	Rev.
	91403009	1	LIFT CYLINDER, (includes all items except items 13 thru 17 & 27)	F
1	91144128	4	GREASE FITTING	
2	91404132	4	CAPSCREW, (torque to 10-12 lb-ft)	
3	91404152	4	LOCKWASHER	
4	91404138	1	VALVE BLOCK, (includes item 31)	
5	91404133	1	CASE ASSY	
6	91404137	1	BOLT PLATE	
7	Use Kit K1	2	WEAR RING	
8	91404136	1	SPLIT RING	
9	Use Kit K1	1	PISTON SEAL	
10	91404134	1	PISTON	
11	Use Kit K1	2	BACK-UP RING	
12	Use Kit K1	1	O-RING	
13	91403027	2	PIN	
14	91401189	2	KEEPER	
15	88561111	4	WASHER, 1/2	
16	88551013	4	LOCKWASHER, 1/2	
17	88211105	2	SOCKET HD CAPSCREW, 1/2-13X1, GR8	
18	91404139	1	SHAFT ASSY	
19	91124096	1	SET SCREW, (torque to 11 lb-ft)	
20	Use Kit K1	1	CANNED WIPER	
21	91404135	1	HEAD, (torque to 100 lb-ft)	
22	Use Kit K1	1	O-RING	
23	Use Kit K1	1	ROD SEAL	
24	Use Kit K1	1	WEAR RING	
25	Use Kit K1	1	STEP SEAL	
26	Use Kit K1	1	U-CUP	
27	88201065	2	HEX HD CAPSCREW, 1/2-13X1, GR5	
28	91404131	8	WASHER	
29	91404151	8	CAPSCREW, (see service note for torque specifications)	
30	91404288	4	BUSHING	
31	1001109225	1	VALVE, (torque to 44 lb-ft)	
	91404382	1	SEAL KIT	
K1	91404140	1	SEAL KIT, (includes items 7, 9, 11, 12, 20 & 22 thru 26)	

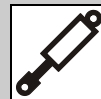


Figure 9-2 Extend/Retract Cylinder - Iowa

Item	Part Number	Qty.	Description	Rev.
	91403006	1	EXTEND/RETRACT CYLINDER, (includes items 1 thru 19)	G
1	91404112	1	CASE ASSY	
2	1001109225	1	VALVE, (torque to 40-45 lb-ft)	
	91404382	1	SEAL KIT	
3	91034267	1	LOCK NUT, (torque to 600-650 lb-ft)	
4	Use Kit K1	2	WEAR RING	
5	Use Kit K1	1	PISTON SEAL	
6	70020494	1	PISTON ASSY, (includes items 4, 5 & 7)	
7	Use Kit K1	1	O-RING	
8	91404113	1	SPACER	
9	91404114	1	SHAFT	
10	91404130	1	SET SCREW, (torque to 11 lb-ft)	
11	Use Kit K1	1	CANNED WIPER	
12	70020495	1	HEAD ASSY, (includes items 11 & 13 thru 18), (torque to 100 lb-ft)	
13	Use Kit K1	1	O-RING	
14	Use Kit K1	1	U-CUP	
15	Use Kit K1	1	STEP SEAL	
16	Use Kit K1	2	WEAR RING	
17	Use Kit K1	1	BACK-UP RING	
18	Use Kit K1	1	O-RING	
19	91409117	1	WEAR BAND	
20	88581149	2	RETAINING RING	
21	91403022	1	EXTEND/RETRACT CYLINDER PIN	
K1	70020432	1	SEAL KIT, (includes items 4, 5, 7, 11 & 13 thru 18)	



Figure 9-4 Compensating Cylinder

Item	Part Number	Qty.	Description	Rev.
	91403585	1	COMPENSATING CYLINDER, (includes all items except 20 thru 27)	
1	91404204	1	CASE ASSY	
2	91034267	1	LOCK NUT, (torque to 1250-1300 lb-ft)	
3	Use Kit K1	2	WEAR RING	
4	Use Kit K1	1	PISTON SEAL	
5	91404153	1	PISTON	
6	Use Kit K1	1	O-RING	
7	91404205	1	SHAFT ASSY	
8	91144128	1	GREASE FITTING	
9	91404203	2	GREASE FITTING	
10	91124096	1	SET SCREW	
11	Use Kit K1	1	CANNED WIPER	
12	91404154	1	HEAD, (torque to 200 lb-ft)	
13	Use Kit K1	1	O-RING	
14	Use Kit K1	1	U-CUP SEAL	
15	Use Kit K1	1	STEP SEAL	
16	Use Kit K1	1	WEAR RING	
17	Use Kit K1	1	U-CUP	
18	Use Kit K1	1	O-RING	
19	Use Kit K1	1	RETAINING RING	
20	91403026	1	PIN	
21	91401189	1	KEEPER	
22	88561111	2	WASHER, 1/2	
23	88551013	2	LOCKWASHER, 1/2	
24	88201065	2	HEX HD CAPSCREW, 1/2-13X1, GR5	
25	91473235	1	PIN	
26	4891800	1	HARD WASHER, 1/2	
27	0681810	1	HEX HD CAPSCREW, 1/2-13X1-1/4, GR8, (torque to 100-110 lb-ft)	
28	91404286	2	BUSHING, (manganese phosphate coating)	
29	91404287	1	BUSHING, (manganese phosphate coating)	
K1	91404206	1	SEAL KIT, (includes items 3, 4, 6, 11 & 13 thru 19)	



Figure 9-5 Frame Level Cylinder

Item	Part Number	Qty.	Description	Rev.
	91473231	1	SWAY CYLINDER, (includes items 1 thru 19)	A
1	Use Kit K1	1	O-RING	
2	Use Kit K1	1	O-RING	
3	Use Kit K1	1	SEAL	
4	Use Kit K1	1	SEAL	
5	Use Kit K1	1	SEAL	
6	Use Kit K1	1	SEAL	
7	Use Kit K1	1	WIPER	
8	Use Kit K1	2	WEAR RING	
9	Use Kit K1	2	WEAR RING	
11	7023500	2	O-RING	
12	7003226	1	LOCKNUT	
13	70021630	1	SELF-TAPPING SCREW	
14	7003242	3	LUBE FITTING	
15	70021634	3	BUSHING	
16	70021637	1	TUBE ASSY	
17	70021638	1	ROD ASSY	
18	70021635	1	PISTON	
19	70021636	1	HEAD	
105	91403226	1	CYLINDER PIN	
106	91403225	1	CYLINDER PIN	
107	90028935	4	RETAINING RING	
K1	70021633	1	SEAL KIT, (includes items 1 thru 9)	



Figure 9-7 Implement Pump

Item	Part Number	Qty.	Description	Rev.
	91473075	1	IMPLEMENT PUMP, (includes all items)	
1	77134079	1	SNAP RING	
2	83674124	1	SHAFT	
3	7000505	1	BEARING	
4	77384004	1	BEARING RETAINER	
5	77364005	1	RETAINING RING	
6	7000478	1	SEAL	
7	83674126	1	SHAFT END COVER ASSY	
8	91474182	2	SEAL	
9	91474038	2	BACK-UP SEAL	
10	83674096	2	THRUST PLATE	
11	91474180	1	GEAR SET	
12	91474184	2	O-RING	
13	83671037	4	DOWEL PIN	
14	91474179	1	GEAR HOUSING	
15	91474178	1	PORT END COVER ASSY	
16	77134044	4	WASHER	
17	91474181	4	CAPSCREW	
18	77134081	1	SEAL RETAINER	



Figure 9-9 Sway Cylinder Valve

Item	Part Number	Qty.	Description	Rev.
	91403180	1	SWAY CYLINDER VALVE, (includes all items)	E
1	91404216	2	VALVE CARTRIDGE	
2	91404215	2	O-RING	
3	91404217	1	PISTON	
4	91404218	1	VALVE BODY	



Figure 9-10 Brake Valve (Continued)

Item	Part Number	Qty.	Description	Rev.



Figure 9-11 Priority Valve

Item	Part Number	Qty.	Description	Rev.
	91473159	1	PRIORITY VALVE ASSY, (includes all items)	
1	91474022	1	VALVE BODY	
2	91474023	1	CHECK VALVE CARTRIDGE, (includes item 3)	
3	91474024	2	SEAL KIT	
4	91474484	1	COIL ASSY	
5	91474026	1	SOLENOID VALVE, (includes item 6)	
6	91474027	2	SEAL KIT	
7	91474028	12	EXPANDER PLUG	
8	91474485	2	PLUG	
9	91474486	1	ORIFICE PLUG	
10	91474487	1	SEQUENCE CARTRIDGE, (includes item 11), (New Style)	
	NSS	1	SEQUENCE CARTRIDGE, (includes item 11), (Old Style), (no longer available, use 91474487 for replacement)	
11	91474032	1	SEAL KIT	
12	91474033	1	RELIEF VALVE CARTRIDGE, (includes item 3)	
13	91474488	1	COMPENSATOR CARTRIDGE, (includes item 14), (New Style)	
	NSS	1	COMPENSATOR CARTRIDGE, (includes item 16), (Old Style), (no longer available, use 91474488 for replacement)	
14	91474489	1	SEAL KIT	
15	91474034	1	REDUCING VALVE CARTRIDGE, (includes item 6)	
16	91474030	1	SEAL KIT	

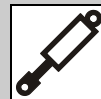


Figure 9-12 Steer Select Valve

Item	Part Number	Qty.	Description	Rev.
	1001001016	1	STEERING SELECT VALVE, (includes all items)	C
1	7029915	1	STEERING MANIFOLD	
2	7029916	1	COVER PLATE	
3	91474402	1	DIRECTIONAL CONTROL VALVE, (includes items 4 thru 6)	
4	91474407	2	COIL	
5	7029917	2	NUT	
6	7012773	1	SEAL KIT	
7	88662065	4	ADAPTER, 90 DEGREE, (includes o-ring)	
8	2220374	2	CONNECTOR, (includes o-ring)	



Figure 9-16 Main Control Valve, Tilt on Joystick With Aux (Continued)

Item	Part Number	Qty.	Description	Rev.



Figure 10-2 Engine Harness - John Deere Engine

Item	Part Number	Qty.	Description	Rev.
	91473101	1	ENGINE HARNESS, (includes all items)	H
1	91404337	1	PLUG CONNECTOR	
2	83481286	2	PANEL NUT	
3	83481285	2	PANEL LOCKWASHER	
4	91474467	2	STRAIN RELIEF	
5	91364010	1	PLUG CONNECTOR	
6	80963057	5	WEATHER PACK CONNECTOR	
7	80963068	5	FEMALE PIN TERMINAL	
8	91364009	5	CABLE SEALS	
9	80963058	1	WEATHER PACK CONNECTOR	
10	80963070	1	CAVITY PLUG	
11	91474468	2	CLIP & SEAL	
12	91474469	2	DELPHI CONTACT	
13	91363021	8	MOLDED DIODE	
14	80963059	1	WEATHER PACK CONNECTOR	
15	80963068	1	FEMALE PIN TERMINAL	
16	91364009	1	CABLE SEAL	
17	80963067	1	CABLE SEAL	
18	80963060	1	WEATHER PACK CONNECTOR	
19	80963069	1	MALE PIN TERMINAL	
20	91364009	1	CABLE SEALS	
21	83683254	1	3 CONTACT PLUG	
22	90026803	1	CONNECTOR	
23	91143340	1	SOCKET CONTACT, #8	
24	77363347	3	SOCKET CONTACT, #12	
25	77363229	14	SOCKET CONTACT, #16	
26	91143339	1	PIN CONTACT, #8	
27	77363345	3	PIN CONTACT, #12	
28	77363228	6	PIN CONTACT, #16	



Figure 10-2 Engine Harness - John Deere Engine

Item	Part Number	Qty.	Description	Rev.
	1001001516	1	ENGINE HARNESS, (includes all items)	B
1	91404337	1	PLUG CONNECTOR	
2	83481286	2	NUT	
3	83481285	2	LOCKWASHER	
4	91474467	2	STRAIN RELIEF	
5	80963057	2	CONNECTOR	
6	80963068	3	TERMINAL	
7	91364009	4	CABLE SEAL	
8	91363021	3	MOLDED DIODE	
9	7026425	1	PLUG CONNECTOR	
10	80604016	1	WEDGE	
11	1001117021	1	CONNECTOR	
12	4460746	1	TERMINAL	
13	4460459	1	CONNECTOR	
14	80963060	1	SHROUD	
15	80963069	1	TERMINAL	
16	83683254	1	3 CONTACT	
17	90026803	1	FEMALE TERMINAL	
18	91474468	2	CONNECTOR	
19	91474469	2	TERMINAL	
20	91364010	1	RECEPTACLE CONN	
21	80963067	1	CABLE SEAL, BLUE	
22	80963066	1	SEAL	
23	7029755	1	SECONDARY LOCK	

Figure 10-5 Transmission Harness

Item	Part Number	Qty.	Description	Rev.
	1001115528	1	TRANSMISSION HARNESS, (ZF), (includes all items)	A
1	4460970	1	FEMALE RECEPTACLE	
2	80363179	1	SECONDARY WEDGE LOCK	
3	4460955	6	CONNECTOR	
4	91363021	6	MOLDED DIODE	
5	1001117073	1	CONNECTOR	
6	70022741	1	WEDGE LOCK	



Figure 10-9 Cab Dash Harness

Item	Part Number	Qty.	Description	Rev.
	1001108841	1	CAB DASH HARNESS, (includes all items)	F
1	91504100	1	CONNECTOR	
	80604025	1	WEDGE LOCK	
2	4460465	3	TERMINAL	
3	4460466	4	PLUG	
4	4460539	1	CONNECTOR	
	91554019	1	WEDGE LOCK	
5	4460944	1	CONTACT	
6	4460945	1	CONNECTOR	
7	70022224	1	CONNECTOR	
	91554019	1	WEDGE LOCK	
8	4460419	3	TERMINAL	
9	4460500	1	CONNECTOR	
10	83481286	1	NUT	
11	83481285	1	WASHER	
12	4460970	1	FEMALE RECEPTACLE	
	80363179	1	WEDGE LOCK	
13	4460464	1	CONTACT	
14	4460933	1	CONNECTOR	
	80604016	1	WEDGE LOCK	
15	4460042	4	16 GA TERMINAL RING	

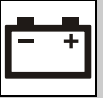


Figure 10-14 Cab Road Lights Harness

Item	Part Number	Qty.	Description	Rev.
	1001090509	1	CAB ROAD LIGHTS HARNESS, (if equipped), (includes all items)	C
1	4460851	1	CONNECTOR	
	80604025	1	WEDGE LOCK	
2	4461157	1	CONNECTOR	
3	4460475	2	TERMINAL	
4	8220081	1	SEAL	
5	1001117058	1	CONNECTOR	
6	4460419	2	TERMINAL	
7	1001117018	1	CONNECTOR, (includes 15 amp fuse)	
8	1001116733	2	TERMINAL	
9	7029771	1	COVER	
10	4460934	1	CONNECTOR	
	80604016	1	WEDGE LOCK	
11	1001117079	1	CONNECTOR	
12	1001118384	7	TERMINAL	
13	NSS	1	1/4 SPADE TERMINAL	
14	NSS	3	1/4 FEMALE TERMINAL	

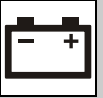
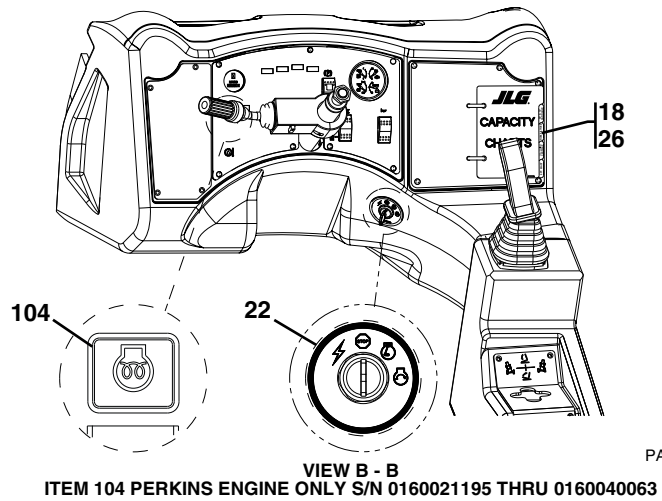
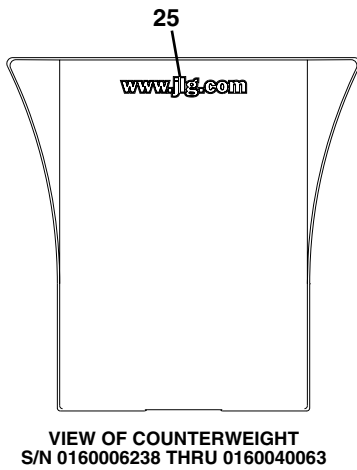
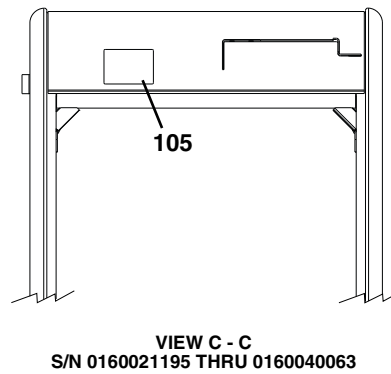
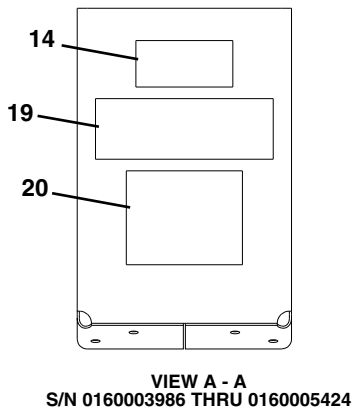
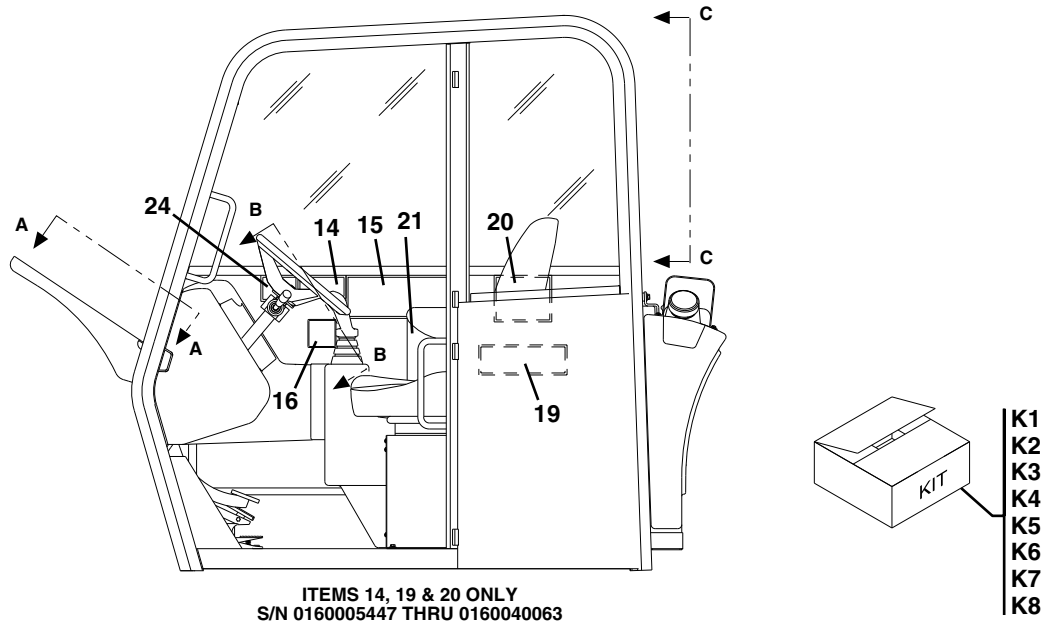


Figure 10-18 Chassis Harness (Continued)

Item	Part Number	Qty.	Description	Rev.



Figure 11-1 Cab & Frame Decals (Continued)



PAP18610



Figure 11-2 Boom Decals

Item	Part Number	Qty.	Description	Rev.
1		Ref	G6-42A DECAL, (no longer available, use decal kit on Figure 11-2, S/N 0160006238 & After for replacement)	
2		Ref	GRADALL DECAL - WHITE, (no longer available, use decal kit on Figure 11-2, S/N 0160006238 & After for replacement)	
3	90200445	1	PENDULUM	
4	90200688	1	BEARING	
5	90026491	1	SHOULDER BOLT, 1/4-20	
6	88561108	1	FLAT WASHER, 5/16	
7	80603037	5	WARNING DECAL	
8	91003031	1	BOOM ANGLE DECAL	
9	91143290	1	WARNING DECAL	
10	91143282	1	WARNING DECAL	
11	90553026	1	WARNING DECAL	
12	91553072	1	BOOM NUMBERS DECAL KIT	



Figure 12-2 Turbo Engine Assembly, LH View (Continued)

Item	Part Number	Qty.	Description	Rev.

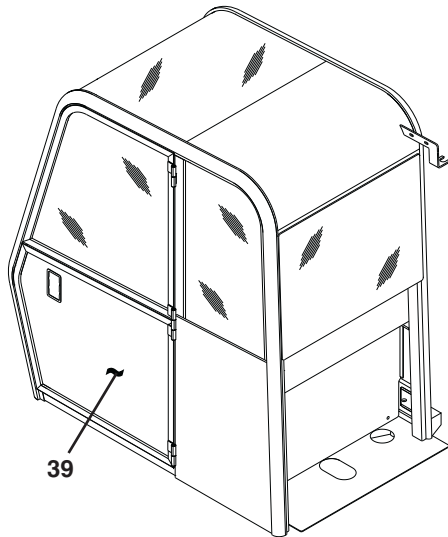


Figure 12-6 Turbo Air Cleaner & Installation

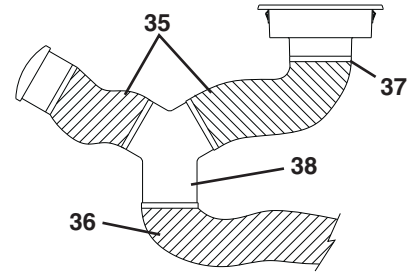
Item	Part Number	Qty.	Description	Rev.
	91475046	Ref	AIR CLEANER INSTALLATION, (not available to order, see items 1 thru 13 & 20 for service)	C
1	80274004	1	COVER ASSY	
2	80273011	1	AIR CLEANER MOUNT BAND	
3	91473100	1	AIR INLET HOOD, (includes clamp)	
4	88201018	2	HEX HD CAPSCREW, 5/16-18X3/4, GR5	
5	88551010	2	LOCKWASHER, 5/16	
6	91471181	1	CLAMP MOUNT BRACKET	
7	83671475	1	SERVICE INDICATOR	
8	91083129	1	ELBOW, 90 DEGREE	
9	91403101	1	AIR CLEANER, (includes items 1 & 10 thru 12)	
10	80273010	1	ELEMENT, (outer)	
11	80273042	1	ELEMENT, (inner)	
12	10733183	1	VACUATOR	
13	91163137	1	BAND CLAMP	
14	91473104	1	AIR INTAKE TUBE	
15	91471133	1	BRACKET	
16	88561004	2	FLAT WASHER, 3/8	
17	88551011	4	LOCKWASHER, 3/8	
18	88201033	4	HEX HD CAPSCREW, 3/8-16X3/4, GR5	
19	24921332	2	MUFFLER CLAMP	
20	77143006	2	WHIZ-LOCK NUT, 5/16-18	
21	91473103	1	AIR INTAKE TUBE	
22	91403244	1	STRAIGHT HUMP	
23	91163129	3	BAND CLAMP	
24	91083126	1	RUBBER ELBOW, 90 DEGREE	
25	91303049	1	HOSE CLAMP	
26	91163129	1	HEAVY DUTY CLAMP	



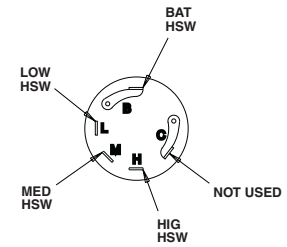
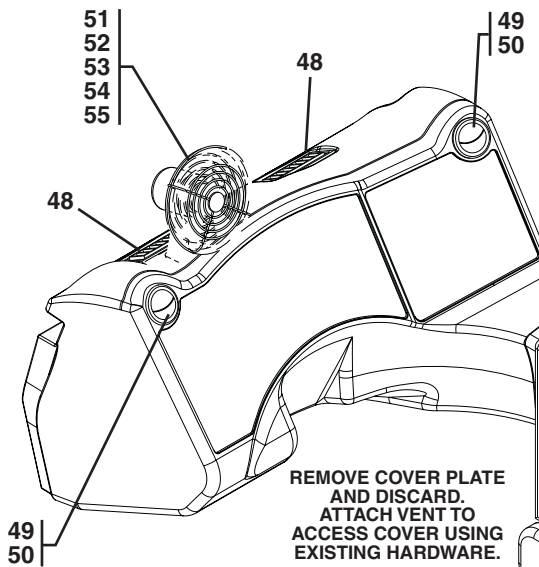
Figure 12-9 Open Cab Heater Components (Continued)



USE THIS CLAMP TO ATTACH VENT HOSE TO VENTS, PLENUM AND HEATER



ATTACH HOSES FROM 3-WAY CONNECTORS TO FRONT OPENING ON THE PLENUM.



HEATER FAN SWITCH HARNESS CONNECTIONS

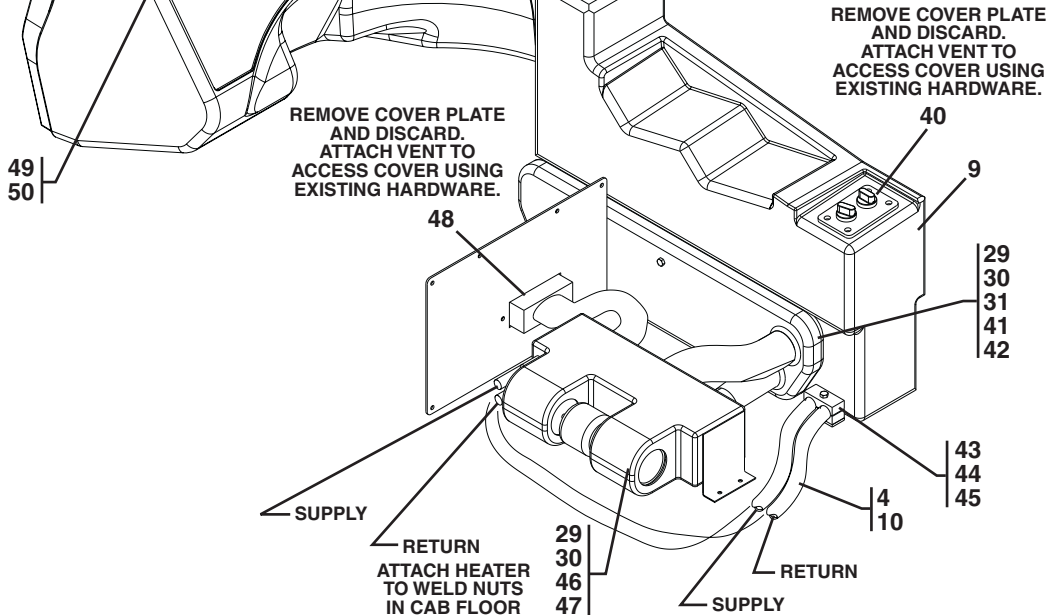




Figure 12-9 Open Cab Heater Components

Item	Part Number	Qty.	Description	Rev.
	1001130586	Ref	HEATER OPTION INSTALLATION, (Cummins), (not available to order, see items 1 thru 30 for service)	B
1	0630407	4	BUTTON HD CAPSCREW, 1/4-20X5/8	
2	0641518	1	HEX HD CAPSCREW, 5/16-18X2-1/4, GR5	
3		Ref	FLAT HD CAPSCREW, #6-32X0.62, (see Figure 6-8 for details)	
4		Ref	HEX NUT, #6-32, GR2, (see Figure 6-8 for details)	
5	4711400	4	WASHER, 1/4	
6	4761400	4	LOCKWASHER, 1/4	
7	77133137	1	TWIN CLAMP COVER PLATE	
8	77133279	1	CLAMP SET	
9		Ref	KNOB, (see Figure 6-8 for details)	
10	80383231	1	HEATER CONTROL VALVE	
11		Ref	BLOWER SWITCH, (see Figure 6-8 for details)	
12	86683193	6	HOSE CLAMP	
13	91413036	8	SELF-TAPPING SCREW, #6X1/2	
14		Ref	CAB OPTIONS HARNESS, (not shown), (see Figure 10-7 for details)	
15	1001090344	2.7 ft	NEOPRENE TAPE, 1/16X1/2	
16	1001100278	1	ROUND VENT	
17	1001100279	1	DEFROST VENT	
18	1001100282	1	BLOWER UNIT COVER	
19	1001101216	1	DEFROST BASE VENT	
20	1001101668	1	3-WAY CONDUIT	
21	1001101669	1	3 IN CONDUIT	
22	1001106849	1	RETURN AIR VENT	
23	1001114282	1	3 SPEED HEATER ASSY	
24	1001100446	0.9 ft	HOSE	
25	1001100447	1.4 ft	HOSE	
26	71492152	2.5 ft	HOSE	
27		Ref	POTENTIOMETER ASSY, (see Figure 6-8 for details)	
28		Ref	HEATER HOSE, (see Figure 12-10 for details)	
29	86883328	8	HOSE CLAMP	
30		Ref	TUBING CLIP, (see Figure 6-8 for details)	
101		Ref	OPEN CAB, (not shown), (see Figure 6-1 for details)	
144	88521004	4	LOCKNUT, 1/4-20	
148	90206195	24 in	TRIM-LOCK	
162	91413050	4	WASHER, 1/4	
164	91473163	1	HOSE GUARD	



Figure 12-13 Block Heater Installation - John Deere Engine

Item	Part Number	Qty.	Description	Rev.
1	80375012 80373088	Ref 1	BLOCK HEATER INSTALLATION, (not available to order, see item 1 for service) BLOCK HEATER	



Figure 12-16 Tilt on Joystick With RH Frame Level (Continued)

Item	Part Number	Qty.	Description	Rev.



Figure 12-19 Auxiliary Electrics Assembly (Continued)

Item	Part Number	Qty.	Description	Rev.



Figure 12-21 Beacon Light Package

Item	Part Number	Qty.	Description	Rev.
	91475059	1	BEACON LIGHT PACKAGE, (includes all items)	D
1	77363265	1	RELAY	
2	77363267	1	10 AMP FUSE	
3	77363269	1	30 AMP FUSE	
4	88201005	2	HEX HD CAPSCREW, 1/4-20X1-1/4, GR5	
5	88561002	2	FLAT WASHER, 1/4	
6	88551009	2	LOCKWASHER, 1/4	
7	88501004	2	HEX NUT, 1/4-20	
8	91343031	1	ROTATING BEACON, (includes item 22)	
9	91511206	1	BEACON BRACKET	
10	90027214	1	RUBBER GROMMET	
11	88301093	3	ROUND HD MACHINE SCREW, #10-24X3/4	
12	88551007	3	LOCKWASHER, #10	
13	88501612	3	HEX NUT, #10-24	
14	90029955	1	RUBBER GROMMET	
15	80963058	1	WEATHER PACK, (shroud)	
16	80963069	2	WEATHER PACK, (male pin terminal)	
17	80963065	2	WEATHER PACK, (cable seal)	
18	8096D097	1	ECONOMY WIRING DUCT, 79 IN	
19	91403304	1	TOGGLE SWITCH	
20	91413045	1	DECAL BEACON	
21	91413044	1	BEACON HARNESS	
22	91344053	1	BULB	



Figure 12-25 Swing Cylinder

Item	Part Number	Qty.	Description	Rev.
	91403322	1	SWING CYLINDER, (includes all items)	A
1	91144125	1	GREASE FITTING	
2	91034156	1	LOCKNUT	
3	Use Kit K1	2	WEAR RING	
4	Use Kit K1	1	PISTON SEAL	
5	91404370	1	PISTON	
6	Use Kit K1	1	O-RING	
7	91404371	1	CASE ASSY	
8	91404372	1	SHAFT ASSY	
9	91404373	1	HEAD	
10	Use Kit K1	1	O-RING	
11	Use Kit K1	1	BACK-UP RING	
12	Use Kit K1	1	STEP SEAL	
13	Use Kit K1	1	U-CUP	
14	Use Kit K1	1	O-RING	
15	Use Kit K1	1	WIPER	
16	91404380	1	SETSCREW	
17	91034157	1	BUSHING	
18	91144267	1	BUSHING	
K1	91404381	AR	SEAL KIT, (includes items 3, 4, 6 & 10 thru 15)	



Figure 12-29 Truss Boom Pressure Reducer Valve - 1360 PSI

Item	Part Number	Qty.	Description	Rev.
	91413040	1	TRUSS BOOM PRESSURE REDUCER VALVE, 1360 PSI, (if equipped), (includes all items)	
1	91414048	1	PRESSURE REDUCING CARTRIDGE	
2	91414047	1	CHECK CARTRIDGE	
3	Use Kit K1	1	O-RING	
4	Use Kit K1	1	O-RING	
5	Use Kit K1	1	O-RING	
K1	91414045	1	SEAL KIT, (includes items 3 thru 5)	

**Figure 12-34 Heavy Seat Replacement Kit**

Item	Part Number	Qty.	Description	Rev.
	2915167	1	HEAVY DUTY SEAT REPLACEMENT KIT, (includes all items)	B
1	0641608	4	HEX HD CAP SCREW, 3/8-16	
3	3311505	4	LOCK NUT, 5/16-18	
4	91406115	1	SEAT RISER WELDMENT	
5	4711500	4	PLAIN WASHER, 5/16	
6	91563158	1	SUSPENSION SEAT WITH 2 IN SEAT BELT	
7	4751600	4	WASHER, 3/8	
8	4761600	4	LOCKWASHER, 3/8	
9	91401415	1	ACCESS COVER PLATE	
10	91406113	1	ACCESS BEZEL COVER	



Figure 12-36 Road Lights Installation

Item	Part Number	Qty.	Description	Rev.
	1001090469	Ref	ROAD LIGHTS INSTALLATION, (ZF) , (if equipped) , (includes all items)	F
	1001104289	Ref	ROAD LIGHTS INSTALLATION, (DANA) , (if equipped) , (includes items 1 thru 32)	A
1	80630	2	CLAMP, 1/2, (ZF)	
	80630	4	CLAMP, 1/2, (DANA)	
2	0641818	2	HEX HD CAPSCREW, 1/2-13X2-1/4, GR5, (torque to 75 lb-ft)	
3	0641822	1	HEX HD CAPSCREW, 1/2-13X2-3/4, GR5, (torque to 80 lb-ft)	
4	3311001	27	HEX NUT, 10-24	
5	3311805	2	HEX LOCKNUT, 1/2-13	
6	3941506	2	TAP SCREW	
7	4461254	1	FASTON TERMINAL	
8	4711000	30	FLAT WASHER, #10	
9	4751800	7	FLAT WASHER, 1/2	
10	4761000	27	LOCKWASHER, #10	
11	8220050	1	CONNECT TERMINAL, MALE	
12	8223073	1	TURN SIGNAL SELECTOR	
13	10718991	2	REFLECTOR, RED	
14	10718992	4	REFLECTOR, YELLOW	
15	80983168	1	VARIABLE LOAD FLASHER	
16	88261010	27	SOCKET BUTTON HD CAPSCREW, #10-24X3/4	
17	91143117	1	STOPLIGHT SWITCH	
18	91511127	1	MOUNTING TAB	
19	1001090459	1	SWITCH	
20		Ref	FRAME ROAD LIGHTS HARNESS, (see Figure 10-13 for details)	
21		Ref	CAB ROAD LIGHTS HARNESS, (see Figure 10-14 for details)	
22	1001090510	1	ROAD LIGHTS HARNESS	
23	1001094264	1	FRONT ROAD LIGHTS BRACKET	
24	1001094390	1	RH FRONT ROAD LIGHTS, (torque to 50 lb-ft)	
	91503103	1	CONNECTOR	
	91504107	1	LOCK CONNECTOR	
25	1001094391	1	LH FRONT ROAD LIGHTS, (torque to 50 lb-ft)	
	91503103	1	CONNECTOR	
	91504107	1	LOCK CONNECTOR	
26	1001094392	1	RH TAIL LIGHT	
	91503103	1	CONNECTOR	
	91504107	1	LOCK CONNECTOR	
27	1001094393	1	LH TAIL LIGHT	
	91503103	1	CONNECTOR	
	91504107	1	LOCK CONNECTOR	
28	1001094523	1	TAIL LIGHT BRACKET	
29	1001094824	2	TAIL LIGHT COVER	
30	77363265	1	RELAY	
31	8229262	1	25A FUSE	
32	77363268	1	15A FUSE	
33	86621230	2	SUPPORT CLAMP	



Figure 12-39 Top Cab Glass Shield

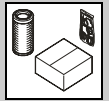
Item	Part Number	Qty.	Description	Rev.
	1001100879	Ref	TOP CAB GLASS SHIELD INSTALLATION, (not available to order, see items 1 thru 12 for service)	B
1	0641608	2	HEX HD CAPSCREW, 3/8-16X1	
2	3271601	2	HEX NUT, 3/8-16, GR8	
3	4071133	4	SHIM	
4	4711600	4	WASHER, 3/8	
5	4761600	2	LOCKWASHER, 3/8	
6	4761800	2	LOCKWASHER, 1/2	
7	14404173	AR	SILICONE SEALANT	
8	88501008	2	HEX NUT, 1/2-13	
9	91403503	2	SPACER	
10	1001096728	2	BOLT, 1/2-13 HOLLOW	
11	1001098344	1	SHIELD	
12		Ref	CAB WORK LIGHT HARNESS, (see Figure 10-6 for details)	



Figure 12-44 Fender Installation

Item	Part Number	Qty.	Description	Rev.
	91475103	1	FENDER INSTALLATION, (includes all items)	A
1	91473126	4	ROTOMOLD FENDER	
2	91476054	1	RH REAR FENDER MOUNT	
3	91476055	1	LH REAR FENDER MOUNT	
4	91516040	1	LH FRONT FENDER MOUNT	
5	91516042	1	RH FRONT FENDER MOUNT	
6	91514118	16	FENDER STUD, (torque to 94-104 lb-ft)	
7	91513266	16	HEX NUT, M12X1-1/4	
8	88551013	16	LOCKWASHER, 1/2	
9	88561003	24	FLAT WASHER, 5/16	
10	88561108	24	FLAT WASHER, 5/16	
11	88201030	16	HEX HD CAPSCREW, 5/16-18X3-1/2, GR5	
12	88201028	8	HEX HD CAPSCREW, 5/16-18X3-1/2, GR5	
13	88521205	24	LOCKNUT, 5/16-18	
14	3520176	8	PLUG, 1-1/4	

RECOMMENDED SPARE PARTS



The following list will service fleets of machines (built to current production per date on the front cover) with repair parts which can be installed in the field. Parts from the list should be replaced when inventory is depleted to keep service parts stock supplied. For further information, contact your JLG dealer or the JLG Industries Parts Department.

Part Number	Description	Qty./Machine
7028718	Wheel End Seal, (Axle S/N FITA733977 & After) , (see Section 5)	4
91514111	Wheel End Bushing, (see Section 5)	4
7028721	Wheel Hub Seal, (see Section 5)	2
91474035	Universal Joint Kit, (S/N 0190001 thru 0190457 & 016000022 thru 016000843) , (Carraro) , (see Figure 5-40)	4
91474035	Universal Joint Kit, (S/N 016000847 thru 0160020658) , (Dana) , (see Figure 5-40)	2
8036433	Universal Joint Kit, (S/N 0160020685 & After) , (Dana) , (see Figure 5-40)	4
HYDRAULIC SYSTEMS		
91403490	Boom Joystick Assy, (if equipped) , (see Figure 7-6)	1
91403491	Boom Joystick With Adjustable Tilt, (if equipped) , (see Figure 7-6)	1
91404010	Boom Joystick Handle Assy, (if equipped) , (see Figure 7-6)	1
91404325	Boom Joystick Handle With Wire & Connector, (if equipped) , (see Figure 7-6)	1
91404140	Lift Cylinder Seal Kit, (S/N 0190001 thru 0160010475) , (see Figure 9-1)	1
91414069	Lift Cylinder Seal Kit, (S/N 0160010497 thru 0160033619) , (see Figure 9-1)	1
70021758	Lift Cylinder Seal Kit, (S/N 0160033656 & After) , (see Figure 9-1)	1
70020432	Extend/Retract Cylinder Seal Kit, (S/N 0190001 thru 0190457 & 016000022 thru 0160033619) , (see Figure 9-2)	1
70021775	Extend/Retract Cylinder Seal Kit, (S/N 0160033656 & After) , (see Figure 9-2)	1
91404157	Tilt Cylinder Seal Kit, (S/N 0190001 thru 0190457 & 016000022 thru 0160033619) , (see Figure 9-3)	1
70021764	Tilt Cylinder Seal Kit, (S/N 0160033656 & After) , (see Figure 9-3)	1
91404206	Comp Cylinder Seal Kit, (S/N 0190001 thru 0160017476) , (see Figure 9-4)	1
7029821	Comp Cylinder Seal Kit, (S/N 0160017503 & After) , (see Figure 9-4)	1
91474004	Frame Level Cylinder Seal Kit, (S/N 0190001 thru 0190446) , (see Figure 9-5)	1
91404172	Frame Level Cylinder Seal Kit, (S/N 0190447 thru 0190457 & 016000022 thru 0160033619) , (see Figure 9-5)	1
70021633	Frame Level Cylinder Seal Kit, (S/N 0160033656 & After) , (see Figure 9-5)	1
1001093626	Hydraulic Filter Element, (Before S/N 0160040678) , (see Figure 9-8)	1
1001097732	Hydraulic Filter, (S/N 0160040678 & After) , (see Figure 9-8)	1
91083301	Tank Filter, (Before S/N 0160040678) , (see Figure 9-8)	1
91403575	Tank Filter, (Before S/N 0160040678) , (see Figure 9-8)	1
1340021	Breather, (see Figure 9-8)	1
7024441	Fluid Level Gauge, (Before S/N 0160040678) , (see Figure 9-8)	1
91563136	Fluid Level Gauge, (S/N 0160040678 & After) , (see Figure 9-8)	1
91404084	Bar Gauge, (Before S/N 0160040678) , (see Figure 9-8)	1
ELECTRICAL		
91143314	Water Temperature Sender, (Before S/N 0160040678) , (John Deere) , (see Figure 4-1)	1
1001001535	Water Temperature Sender, (S/N 0160021195 thru 0160040659) , (Perkins) , (see Figure 4-3)	1
91473115	Transmission Temp Switch, (S/N 0190001 thru 0160002053) , (see Figure 4-1)	1
91563121	Transmission Temp Switch, (S/N 0160003208 & After) , (see Figure 4-2)	1
24741047	Oil Press Switch, (Before S/N 0160040678) , (John Deere) , (see Figure 4-1)	1
91143315	Oil Press Sender, (Before S/N 0160040678) , (see Figure 4-1)	1
91403609	Fuel Level Sender, (Before S/N 0160020148) , (see Figure 4-8)	1
1001093388	Fuel Level Sender, (S/N 0160020148 & After) , (see Figure 4-8)	1

PART NUMBER INDEX



Part Number	Page	Part Number	Page	Part Number	Page	Part Number	Page
70024543	3-71		4-131	7027270	4-141	7029771	10-20, 10-47
70024544	3-71	7026759	4-121, 4-123, 4-125,	7027271	4-141	7029775	10-20
70024545	3-71		4-127, 4-129,	7027273	4-141	7029779	4-37
70024546	3-71		4-131	7027772	1-4, 1-9	7029782	4-37
70024547	9-95	7026760	4-121, 4-123, 4-125,	7027858	13-4	7029783	4-37
70024548	9-95		4-127, 4-129,	7028055	4-81	7029784	4-37
70024549	9-95		4-131	7028058	4-79	7029785	5-57
70024550	3-71	7026761	4-121, 4-123, 4-125,	7028060	4-85	7029786	5-81
70024551	3-71		4-127, 4-129,	7028063	4-89	7029788	5-57, 5-79
70024552	3-71		4-131	7028109	4-111	7029811	5-55, 5-77
70024553	3-71	7026762	4-123	7028110	4-77	7029821	9-27
70024554	3-71	7026763	4-127	7028403	5-11, 5-31	7029822	4-79
70024555	3-71	7026764	4-129	7028492	5-21, 5-39	7029833	9-49
7003226	9-15, 9-19, 9-33	7026765	4-129	7028654	4-37	7029834	5-15, 5-35
7003242	9-11, 9-19, 9-33	7026766	4-129	7028655	4-37	7029835	5-15, 5-35
7005365	9-15	7026769	4-129, 4-133, 4-141	7028663	4-37	7029836	5-15, 5-35
7010769	9-77	7026770	4-131	7028664	4-37	7029837	5-15, 5-35
7012773	9-83	7026771	4-133	7028666	4-37	7029849	4-121, 4-123, 4-125,
7022797	5-51	7026772	4-133	7028676	4-37		4-127, 4-129,
7023500	9-33	7026773	4-133	7028677	4-37		4-131
7024441	9-49	7026774	4-133	7028678	4-37	7029850	4-121, 4-123, 4-125,
7024574	9-89	7026775	4-133	7028680	4-37		4-127, 4-129,
7026408	10-20, 10-56	7026776	4-135	7028681	4-37		4-131
7026413	10-56	7026777	4-135	7028689	4-37	7029851	4-121, 4-123, 4-125,
7026414	10-39, 10-56	7026778	4-135	7028706	5-69		4-127, 4-129,
7026415	10-56	7026779	4-135	7028709	5-53		4-131
7026419	10-56	7026780	4-135	7028710	5-53	7029852	4-121, 4-123, 4-125,
7026425	10-17, 10-20	7026781	4-135	7028714	5-49, 5-71		4-127, 4-129,
7026429	10-31	7026782	4-135	7028715	5-49, 5-71		4-131
7026430	10-31	7026783	4-135	7028716	5-49, 5-71	7029860	6-5
7026431	10-31	7026784	4-135	7028718	5-55, 5-77	7029862	9-40, 9-91
7026437	6-24	7026785	4-137	7028721	5-59, 5-83	7029863	9-92
7026438	6-24	7026786	4-137	7028733	5-49, 5-71	7029864	9-92
7026439	10-39, 10-49	7026787	4-137	7029129	5-53	7029865	9-92
7026440	6-24	7026788	4-137	7029131	5-53	7029866	9-27
7026458	9-9	7026789	4-137	7029279	5-47, 5-69	7029868	9-27
7026477	7-13, 7-15	7026790	4-137	7029280	5-47	7029869	9-27
7026478	7-13, 7-15	7026791	4-139	7029281	5-47	7029870	9-27
7026481	7-11	7026792	4-139	7029282	5-47, 5-69	7029871	9-27
7026572	4-65	7026793	4-139	7029283	5-47, 5-69	7029872	9-27
7026573	4-65	7026794	4-139	7029284	5-49, 5-71	7029873	9-27
7026577	4-141	7026797	4-115	7029285	5-49, 5-71	7029874	9-27
7026578	4-141	7026798	6-13	7029286	5-61, 5-85	7029883	9-77
7026744	4-117	7026799	6-13	7029287	5-61, 5-85	7029884	9-77
7026745	4-117	7026900	6-13	7029417	4-139	7029885	9-77
7026746	4-117	7026901	6-13	7029431	5-61, 5-85	7029886	9-77
7026747	4-117	7026902	6-13	7029520	3-49, 3-51	7029887	9-77
7026748	4-117	7026904	6-13	7029521	3-51	7029892	6-21
7026749	4-117	7026905	6-13	7029527	5-49, 5-71	7029894	4-37
7026750	4-119	7026906	6-13	7029528	5-49, 5-71	7029895	4-37
7026751	4-119	7026909	10-45	7029529	5-49, 5-71	7029896	4-37
7026752	4-119	7026910	10-56	7029532	4-125, 4-127	7029912	1-8
7026753	4-119	7026918	4-29, 4-33	7029533	4-125, 4-127	7029915	9-83
7026754	4-119	7026920	4-29, 4-33	7029692	3-19, 3-53	7029916	9-83
7026755	4-119	7026921	4-33, 12-99	7029714	3-53	7029917	9-83
7026756	4-119	7026923	4-29, 4-33	7029736	5-61, 5-85	7057141	4-49, 4-51
7026757	4-121	7026927	4-25, 4-29, 4-33,	7029737	5-59, 5-83	7062922	3-25
7026758	4-121, 4-123, 4-125,		12-11	7029755	10-15, 10-17, 10-20	7075611	11-19
	4-127, 4-129,	7026991	12-56	7029760	9-27, 9-87	7110702	3-25

CLICK HERE TO **DOWNLOAD** THE COMPLETE MANUAL

- Thank you very much for reading the preview of the manual.
- You can download the complete manual from: www.heydownloads.com by clicking the link below



- Please note: If there is no response to CLICKING the link, please download this PDF first and then click on it.

CLICK HERE TO **DOWNLOAD** THE COMPLETE MANUAL