



# ***Illustrated Parts Manual***

## ***Models***

***G6-42A***

***G9-43A***

***G10-43A***

G6-42A  
SN 0160048658 to Present  
G9-43A & G10-43A  
S/N 0160048671 to Present  
excluding 0160048773

**31200727**

*Revised*  
October 28, 2014



CLICK HERE TO **DOWNLOAD** THE COMPLETE MANUAL

- Thank you very much for reading the preview of the manual.
- You can download the complete manual from: [www.heydownloads.com](http://www.heydownloads.com) by clicking the link below



- Please note: If there is no response to CLICKING the link, please download this PDF first and then click on it.

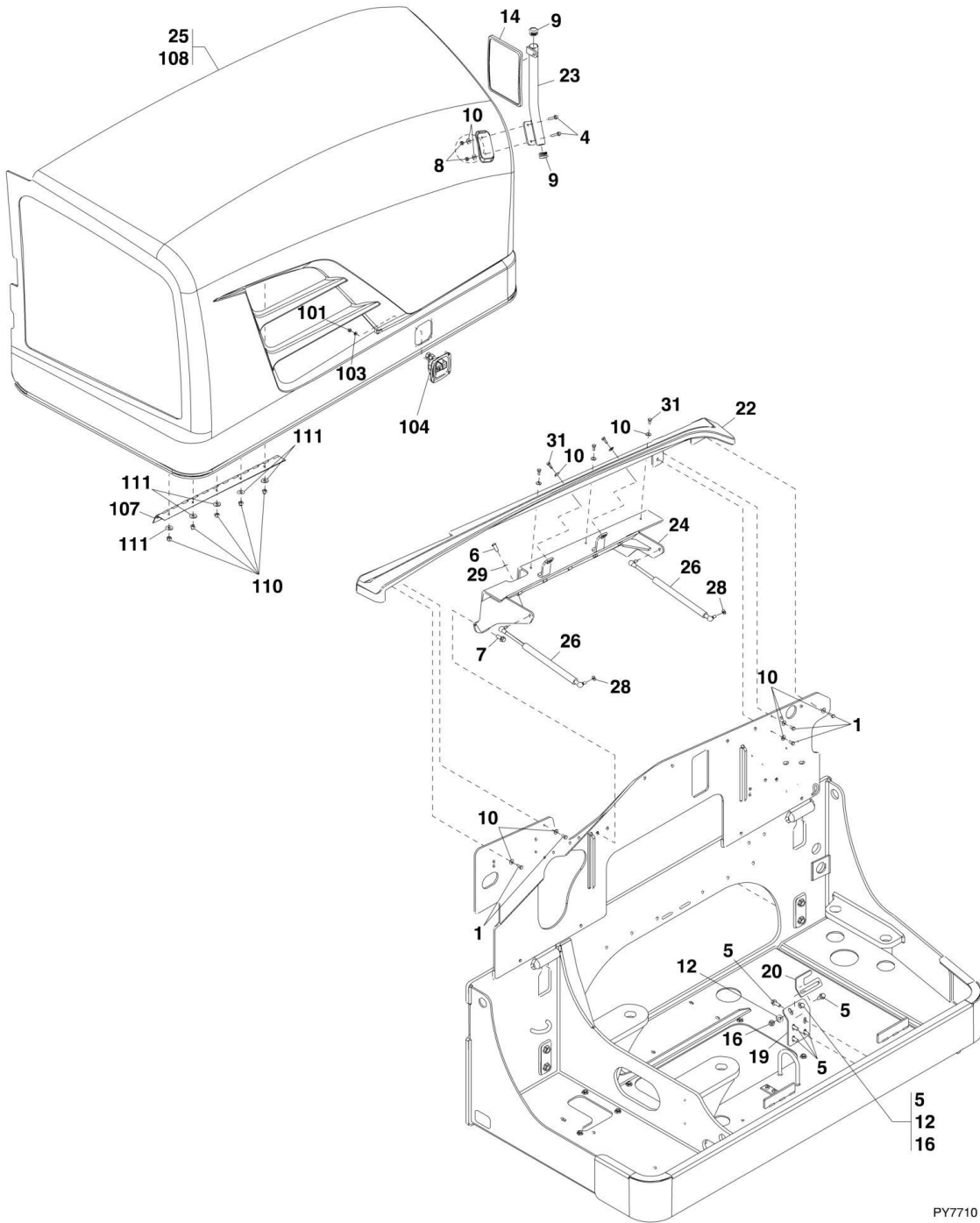
CLICK HERE TO **DOWNLOAD** THE COMPLETE MANUAL

# TABLE OF CONTENTS

FIGURE 8-5. STEER SELECT CIRCUIT .....	278
FIGURE 8-6. SERVICE BRAKE CIRCUIT G6-42A .....	280
FIGURE 8-7. SERVICE BRAKE CIRCUIT G9-43A & G10-43A.....	282
FIGURE 8-8. BOOM JOYSTICK CIRCUIT G6-42A.....	284
FIGURE 8-9. BOOM JOYSTICK CIRCUIT G9-43A & G10-43A .....	286
FIGURE 8-10. OUTRIGGER CONTROLLER .....	288
FIGURE 8-11. LIFT CYLINDER CIRCUIT .....	290
FIGURE 8-12. EXTEND/RETRACT CYLINDER CIRCUIT G6-42A.....	292
FIGURE 8-13. EXTEND/RETRACT CYLINDER CIRCUIT G9-43A & G10-43A .....	294
FIGURE 8-14. TILT CYLINDER AND COMPENSATING CYLINDER CIRCUIT G6-42A .....	296
FIGURE 8-15. TILT CYLINDER AND COMPENSATING CYLINDER CIRCUIT G9-43A & G10-43A.....	298
FIGURE 8-16. AUXILIARY HYDRAULIC CIRCUIT G6-42A.....	300
FIGURE 8-17. AUXILIARY HYDRAULIC CIRCUIT G9-43A & G10-43A .....	302
FIGURE 8-18. FRAME LEVEL CIRCUIT .....	304
FIGURE 8-19. OUTRIGGER CIRCUIT .....	306
SECTION 9 - HYDRAULIC COMPONENTS .....	309
FIGURE 9-1. LIFT CYLINDER G6-42A (Prior to SN 0160052707) .....	310
FIGURE 9-2. LIFT CYLINDER G6-42A (SN 0160052707 to Present).....	312
FIGURE 9-3. LIFT CYLINDER G9-43A & G10-43A.....	314
FIGURE 9-4. EXTEND/RETRACT CYLINDER G6-42A (Prior to SN 0160057307) .....	316
FIGURE 9-5. EXTEND/RETRACT CYLINDER G6-42A (SN 0160057307 to Present).....	318
FIGURE 9-6. EXTEND/RETRACT CYLINDER G9-43A & G10-43A.....	320
FIGURE 9-7. TILT CYLINDER G6-42A (Prior to SN 0160057406) .....	322
FIGURE 9-8. TILT CYLINDER G6-42A (SN 0160057406 to Present).....	324
FIGURE 9-9. TILT CYLINDER G9-43A & G10-43A.....	326
FIGURE 9-10. COMPENSATION CYLINDER G6-42A (Prior to SN 0160057586).....	328
FIGURE 9-11. COMPENSATION CYLINDER G6-42A (SN 0160057586 to Present) .....	330
FIGURE 9-12. COMPENSATION CYLINDER G9-43A & G10-43A.....	332
FIGURE 9-13. FRAME LEVEL CYLINDER G6-42A (Prior to SN 0160060495) .....	334
FIGURE 9-14. FRAME LEVEL CYLINDER G6-42A.....	336
FIGURE 9-15. FRAME LEVEL CYLINDER G9-43A & G10-43A .....	338
FIGURE 9-16. OUTRIGGER CYLINDER .....	340
FIGURE 9-17. SIDE TILT CARRIAGE CYLINDER.....	342
FIGURE 9-18. 50IN SIDE SHIFT CARRIAGE CYLINDER .....	344
FIGURE 9-19. 72IN, 90, SWING CARRIAGE CYLINDER.....	346
FIGURE 9-20. GRAPPLE BUCKET CYLINDER.....	348
FIGURE 9-21. MAIN CONTROL VALVE G6-42A.....	350
FIGURE 9-22. MAIN CONTROL VALVE G6-42A.....	354
FIGURE 9-23. MAIN CONTROL VALVE G9-43A.....	358
FIGURE 9-24. MAIN CONTROL VALVE G9-43A & G10-43A .....	360
FIGURE 9-25. HYDRAULIC PUMP G6-42A.....	362
FIGURE 9-26. HYDRAULIC PUMP G9-43A & G10-43A .....	364
FIGURE 9-27. HYDRAULIC TANK G6-42A .....	368
FIGURE 9-28. HYDRAULIC TANK G9-43A & G10-43A.....	370
FIGURE 9-29. STEER SELECT VALVE.....	372
FIGURE 9-30. BRAKE VALVE .....	374
FIGURE 9-31. PRIORITY VALVE.....	378
FIGURE 9-32. SOLENOID VALVE.....	380
FIGURE 9-33. HYDRAULIC VALVE.....	382
FIGURE 9-34. OUTRIGGER CONTROL VALVE .....	384
SECTION 10 - ELECTRICAL .....	387
FIGURE 10-1. ENGINE COMPARTMENT ELECTRICAL INSTALLATION .....	388
FIGURE 10-2. ARCTIC PACKAGE INSTALLATION .....	392
FIGURE 10-3. BOOM AND FRAME ELECTRICAL INSTALLATION G6-42A .....	396
FIGURE 10-4. BOOM AND FRAME ELECTRICAL INSTALLATION G9-43A & G10-43A.....	398
FIGURE 10-5. CAB ELECTRICAL INSTALLATION .....	400
FIGURE 10-6. CAB SWITCHES.....	402
FIGURE 10-7. WORK LIGHTS INSTALLATION.....	404
FIGURE 10-8. ROAD LIGHTS INSTALLATION .....	408
FIGURE 10-9. ENGINE HARNESS IF EQUIPPED FOR ULS .....	410
FIGURE 10-10. ENGINE HARNESS IF EQUIPPED FOR LS .....	412
FIGURE 10-11. TRANSMISSION HARNESS .....	414
FIGURE 10-12. FRAME HARNESS .....	416

# SECTION 1 - FRAME AND ATTACHING PARTS

G9-43A & G10-43A



PY7710

## SECTION 2 - BOOM

### FIGURE 2-1. BOOM INSTALLATION G9-43A & G10-43A

ITEM	PART NUMBER	QTY	DESCRIPTION	REV
	1001120418	Ref	BOOM INSTALLATION, (G6-42A), (not available to order, see items 1 thru 15 for service)	G
	1001103137	Ref	BOOM INSTALLATION, (G9-43A & G10-43A), (not available to order, see items 1 thru 15 & 129 thru 131 for service)	J
1		Ref	LIFT CYLINDER AND MOUNTING HARDWARE, (See HYDRAULIC COMPONENTS SECTION for Breakdown)	
3		Ref	COMPENSATION CYLINDER AND MOUNTING HARDWARE, (See HYDRAULIC COMPONENTS SECTION for Breakdown)	
13	91403025	1	PIN, (G6-42A)	
13	91513047	1	PIN, (G9-43A & G10-43A)	
14	88212288	1	SOCKET HD CAPSCREW, 3/4-10X6-1/2, (G6-42A)	
14	0682048	1	HEX HD CAPSCREW, 5/8-11X6, GR8, (G9-43A & G10-43A)	
15	88521010	1	HEX LOCKNUT, 5/8-11 (G6-42A)	
15	88521012	1	HEX LOCKNUT, 750-10 GR8 (G9-43A & G10-43A)	
129	2160002	4	GREASE FITTING, (G9-43A & G10-43A)	
130	88661002	4	STRAIGHT FITTING, (G9-43A & G10-43A)	
131	84719940	4	HOSE ASSY, (G9-43A & G10-43A)	
	1001099575	1	BOOM ASSEMBLY, (G6-42A), (includes items 201 thru 273)	J
	1001137538	1	BOOM ASSEMBLY, (G9-43A & G10-43A), (includes items 201 thru 273)	D
201		Ref	PUSH BEAM/EXTEND CHAIN, (See PUSH BEAM/EXTEND CHAIN for Breakdown)	
202		Ref	RETRACT CHAIN COMPONENTS, (not shown), (See RETRACT CHAINS for Breakdown)	
208		Ref	THIRD BOOM SECTION, (See THIRD BOOM SECTION for Breakdown)	
209		Ref	SECOND BOOM SECTION, (See SECOND BOOM SECTION for Breakdown)	
211		Ref	FIRST BOOM SECTION, (See FIRST BOOM SECTION for Breakdown)	
216	8307904	AR	SHIM	
217	8310093	AR	SHIM	
218	8307918	AR	SHIM	
243	2160001	2	GREASE FITTING	
273		Ref	TILT CYLINDER AND MOUNTING HARDWARE, (See HYDRAULIC COMPONENTS SECTION for Breakdown)	
414		Ref	ANGLE INDICATOR DECAL, (See DECALS SECTION for Breakdown)	
416	4711600	1	WASHER, 3/8	
417	8305645	1	HEX LOCKNUT, 3/8	
422	1001096404	1	SPACER	
423	1001098769	1	ANGLE INDICATOR	

## SECTION 2 - BOOM

### FIGURE 2-5. SECOND BOOM SECTION G9-43A & G10-43A

ITEM	PART NUMBER	QTY	DESCRIPTION	REV
11	91511100	4	SPACER	
12	90027471	8	WASHER, 1/2	
13	0651812	2	HEX HD CAPSCREW, 1/2-20X1-1/2, GR5, (torque to 76-86 lb-ft/103-117 Nm)	
16	0651607	AR	HEX HD CAPSCREW, 3/8-24X7/8, GR5, (torque to 32-37 lb-ft/43-50 Nm)	
17	0651808	AR	HEX HD CAPSCREW, 1/2-20X1, GR5, (torque to 76-86 lb-ft/103-117 Nm)	
18	91511101	AR	SHIM, 0.0598	
19	91511102	AR	SHIM, 0.0359	
22	1001117656	2	WEAR PAD	
25	0651807	AR	HEX HD CAPSCREW, 1/2-20X7/8, GR5, (torque to 76-86 lb-ft/103-117 Nm)	
26	0651810	AR	HEX HD CAPSCREW, 1/2-20X1-1/4, GR5, (torque to 76-86 lb-ft/103-117 Nm)	
27	0651606	AR	HEX HD CAPSCREW, 3/8-24X3/4, GR5, (torque to 32-37 lb-ft/43-50 Nm)	
28	0651605	AR	HEX HD CAPSCREW, 3/8-24X5/8, GR5, (torque to 32-37 lb-ft/43-50 Nm)	
29	90027470	16	WASHER, 3/8	
30	0651814	AR	HEX HD CAPSCREW, 1/2-20X1-3/4, GR5, (torque to 76-86 lb-ft/103-117 Nm)	
33	0651806	AR	HEX HD CAPSCREW, 1/2-20X3/4, GR5, (torque to 76-86 lb-ft/103-117 Nm)	
34	1001102967B	1	WELDMENT	
50	91511008	1	SUPPORT PLATE	
51	0641807	4	HEX HD CAPSCREW, 1/2-13X7/8, GR5	
52	4711800	4	WASHER, 1/2	
53	1001102973	1	SUPPORT PLATE	
54	91403530	6	WEAR PAD	
55	91401223	6	SPACER	
56	91471226	AR	SHIM, 0.0598	
57	91471227	AR	SHIM, 0.0359	
58	91403532	6	WEAR PAD	
62	91513074	2	WEAR PAD	
63	91511094	4	SPACER	
64	91361049	AR	SHIM, 0.0598	
65	91511096	AR	SHIM, 0.0359	
66	0651614	AR	HEX HD CAPSCREW, 3/8-24X1-3/4, GR5, (torque to 32-37 lb-ft/43-50 Nm)	
67	0651612	AR	HEX HD CAPSCREW, 3/8-24X1-1/2, GR5, (torque to 32-37 lb-ft/43-50 Nm)	
68	0641806	4	HEX HD CAPSCREW, 1/2-12X3/4, GR5	
69	0651616	AR	HEX HD CAPSCREW, 3/8-24X2, GR5, (torque to 32-37 lb-ft/43-50 Nm)	
113	0651608	AR	HEX HD CAPSCREW, 3/8-24X1, GR5, (torque to 32-37 lb-ft/43-50 Nm)	
122	91401224	2	SPACER	
123	91401215	AR	SHIM, 0.0598	
124	91401216	AR	SHIM, 0.0359	
201	0100011	AR	LOCTITE 242	

FIGURE 2-9. RETRACT CHAINS

ITEM	PART NUMBER	QTY	DESCRIPTION	REV
34	91403519	1	ROLLER ASSY, (G6-42A), (includes items 101 thru 103)	B
34	91513242	1	ROLLER ASSY, (G9-43A & G10-43A), (includes items 101 thru 103)	B
35	0274669	Ref	CHAIN INSTALLATION, (G6-42A), (not available to order, see items 201 thru 205 for service)	C
35	0274672	Ref	CHAIN INSTALLATION, (G9-43A & G10-43A), (not available to order, see items 201 thru 205 for service)	C
38	91413127	1	PIN, (G6-42A)	
38	91513177	1	PIN, (G9-43A & G10-43A)	
39	88681344	2	RETAINING RING, (G6-42A)	
39	88581112	2	RETAINING RING, (G9-43A & G10-43A)	
48	4711800	4	WASHER, 1/2, (G6-42A)	
48	90027472	4	WASHER, 5/8, (G9-43A & G10-43A)	
76	91413138	8	WASHER, 5/8, (G6-42A)	
76	91513199	14	WASHER, 3/4, (G9-43A & G10-43A)	
77	88501310	1	HEX NUT, 5/8-18, GR5, (G6-42A)	
77	88501312	1	HEX NUT, 3/8-16, GR5, (G9-43A & G10-43A)	
78	88501410	1	HEX NUT, 5/8-18, GR5, (G6-42A)	
78	88501412	1	HEX NUT, 3/8-16, GR5, (G9-43A & G10-43A)	
82	0641810	4	HEX HD CAPSCREW, 1/2-13X1-1/4, GR5, (G6-42A)	
82	0641812	4	HEX HD CAPSCREW, 5/8-11X1-1/2, GR5, (G9-43A & G10-43A)	
83	91401193	1	ANCHOR PLATE, (G6-42A)	
83	91511049	1	ANCHOR PLATE, (G9-43A & G10-43A)	
101	91409518	2	SEAL, (G6-42A)	
101	91403053	2	SEAL, (G9-43A & G10-43A)	
102	91403052	1	BUSHING, (G6-42A)	
102	91513011	1	BUSHING, (G9-43A & G10-43A)	
103	91403518	1	ROLLER, (G6-42A)	
103	91513241	1	ROLLER, (G9-43A & G10-43A)	
201	91403433	1	CHAIN, (G6-42A)	
201	91513035	1	CHAIN, (G9-43A & G10-43A)	
202	1360291	1	CLEVIS, (G6-42A)	
202	1360294	1	CLEVIS, (G9-43A & G10-43A)	
203	91413127	1	PIN, (G6-42A)	
203	91513177	1	PIN, (G9-43A & G10-43A)	
204	88681344	2	SNAP RING, (G6-42A)	
204	88581112	2	SNAP RING, (G9-43A & G10-43A)	
205	8522012	AR	ANTI-SEIZE LUBE	
301		Ref	THIRD BOOM SECTION, (See THIRD BOOM SECTION for Breakdown)	
302		Ref	EXTEND CHAIN, (See PUSH BEAM/EXTEND CHAIN for Breakdown)	

## SECTION 3 - ATTACHMENTS

**FIGURE 3-2. TILT CARRIAGE (G6-42A SN 0160052010 to Present; G9-43A SN 0160051085 to Present;  
G10-43A SN 0160052011 to Present)**

ITEM	PART NUMBER	QTY	DESCRIPTION	REV
	1001146084	1	50 IN TILT CARRIAGE, (includes items 1 thru 10)	A
	1001146086	1	60 IN TILT CARRIAGE, (includes items 1 thru10)	A
	1001146088	1	72 IN TILT CARRIAGE, (includes items 1 thru 10)	A
1	0642032	2	HEX HD CAPSCREW, 5/8-11X4, GR5	
2	N.S.S.	1	TILT CARRIAGE	
3	3300240	2	LOCKNUT, 5/8-11	
4	3423275	1	50 IN FORK PIN	
4	3423242	1	60 IN FORK PIN	
4	3423276	1	72 IN FORK PIN	
5	90200003	2	COLLAR	
6	N.S.S.	1	S/N PLATE	
7	1001146159	1	SLEEVE	
8	1001146160	1	SHACKLE	
9	1001151561	1	DANGER SWING LOADS DECAL	
10	0100063	AR	LOCTITE 609, (apply to item 7)	

## SECTION 3 - ATTACHMENTS

**FIGURE 3-7. SHEET MATERIAL HANDLER**

ITEM	PART NUMBER	QTY	DESCRIPTION	REV
	1001100227	1	SHEET MATERIAL HANDLER ASSY, (includes all items)	A
1	7112642	2	BACKREST EXTENSION	
2	8303626	4	HEX HD CAPSCREW, 1/2-13X1-1/2 GR5	
3	8305012	4	HEX NUT, 1/2-13	
4	8307007	4	LOCKWASHER, 1/2	
5	1001093377	2	HITCH PIN	
6	1001101115	1	RH FORK SUPPORT ASSY, (includes items 101 thru 107)	A
7	1001101116	1	LH FORK SUPPORT ASSY, (includes items 101 thru 107)	B
101	7114941	1	LOCK BAR	
102	8303626	1	HEX HD CAPSCREW, 1/2-13X1-1/2, GR5	
103	8305644	1	HEX LOCKNUT, 1/2-13	
104	8307007	1	LOCKWASHER, 1/2	
105	8307112	1	WASHER, 1/2	
106	1001100228	1	RH FORK SUPPORT, (not shown)	
106	1001100229	1	LH FORK SUPPORT, (shown)	
107	N.S.S.	1	SN PLATE	

## SECTION 3 - ATTACHMENTS

### FIGURE 3-12. BUCKETS

ITEM	PART NUMBER	QTY	DESCRIPTION	REV
1	1001100822	1	72IN BUCKET, 1.0 YD <sup>3</sup> , (includes item 2)	B
1	1001100823	1	96IN BUCKET, 1.5 YD <sup>3</sup> , (includes item 2)	B
1	1001100824	1	102IN BUCKET, 2.0 YD <sup>3</sup> , (includes item 2)	B
2	N.S.S.	1	SN PLATE	

## SECTION 3 - ATTACHMENTS

ITEM	PART NUMBER	QTY	DESCRIPTION	REV
50	70022937	1	FITTING, 45	
51	70022949	2	LOCKWASHER, M10	
52	70022950	2	HEX SOCKET CAPSCREW	
53	70022942	1	HOSE ASSY	
54	70022952	1	HOSE ASSY	
55	91403414	1	MALE QUICK DISCONNECT COUPLING	
56	91043126	1	DUST CAP	
58	70022939	1	STRAIGHT FITTING, #6	
59	91403413	1	FEMALE QUICK DISCONNECT COUPLING	
60	91043125	1	DUST PLUG	
61	70022935	1	STRAIGHT THREAD ELBOW	
62	70022946	1	HOSE ASSY	
63	70022949	4	LOCKWASHER, M10	
64	70022980	2	FORK PIN KEEPER	
65	70022998	4	CAPSCREW, M10X20	
66	70022990	1	FORK PIN	
101	N.S.S.	1	SN PLATE	
K1	70023925	1	DECAL KIT, (includes items 1 thru 6)	
K2	70023005	1	MAIN LIFT CYLINDER SEAL KIT, (includes items 8, 9, 13, 14, 16, 17, 19, 21 & 23 thru 25)	
K3	70023006	1	CHECK VALVE KIT, (includes items 18 thru 21 & 23)	
K4	70023007	1	SHIM KIT	
K5	70023015	1	MAST COMMON PARTS KIT, (includes items 27 thru 41)	

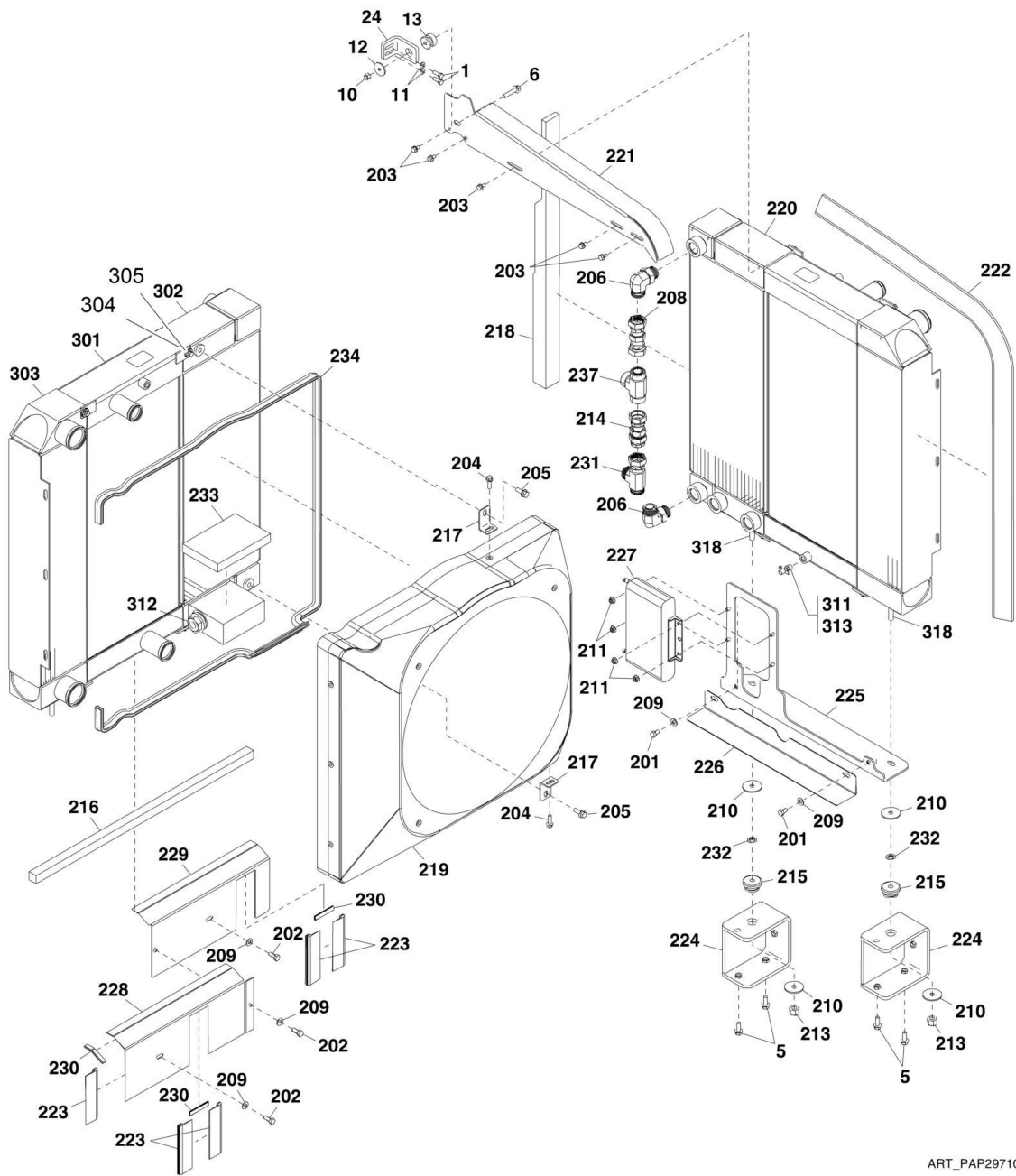
## SECTION 4 - ENGINE AND ATTACHING PARTS

**FIGURE 4-2. ENGINE INSTALLATION IF EQUIPPED FOR LS**

ITEM	PART NUMBER	QTY	DESCRIPTION	REV
	1001138613	Ref	ENGINE INSTALLATION, (if equipped for LS), (not available to order, see items 2 thru 45 for service)	C
2	0682036	4	HEX HD CAPSCREW, 5/8-11X4-1/2, GR8	
3	0701014	8	HEX HD CAPSCREW, M10X30, GR8.8	
4	0701617	6	HEX HD CAPSCREW, M16X45, GR8.8	
5	0711014	12	HEX HD CAPSCREW, M10X30, GR10.9	
6	0761010	5	HEX HD CAPSCREW, M10X20, GR8.8	
7	0761210	2	HEX HD CAPSCREW, M12X20, GR8.8	
11	2131210	2	ADAPTER, 90, (includes o-ring)	
12	2200233	1	DRAIN PLUG	
14	2220444	1	TEE FITTING	
15	2220806	1	STRAIGHT FITTING	
16	3272005	4	HEX LOCKNUT, 5/8-11, GR8	
17		Ref	TRANSMISSION, (See DRIVE TRAIN SECTION for Breakdown)	
19	4812000	20	WASHER, 10mm	
20	4812100	2	WASHER, 12mm	
21	4812300	6	WASHER, 16mm	
23	7300435	4	REBOUND WASHER	
24	8307107	4	WASHER, 3/8	
25	8405007	1	GEAR CLAMP, 1-1/4	
28	91563091	1	CONNECTOR, (includes o-ring)	
29	1001097053	1	OIL DRAIN VALVE	
30	1001109536	1	DRAIN HOSE	
31	1001121309	4	MOUNT	
32	1001121883	1	TRANSMISSION MOUNTING BRACKET	
33	1001129578	1	LH FRONT ENGINE BRACKET	
34	1001129579	1	RH FRONT ENGINE BRACKET	
37		Ref	ENGINE, (See ENGINE for Breakdown)	
38	1001135602	1	ELECTRICAL DIAGNOSTIC BRACKET	
41	1001138615	1	SUCTION FAN	
45	91563121	1	OIL TEMPERATURE SWITCH	

# SECTION 4 - ENGINE AND ATTACHING PARTS

IF EQUIPPED FOR ULS



ART\_PAP29710-B

## SECTION 4 - ENGINE AND ATTACHING PARTS

**FIGURE 4-10. AIR CLEANER INSTALLATION IF EQUIPPED FOR LS**

ITEM	PART NUMBER	QTY	DESCRIPTION	REV
	1001138706	Ref	AIR CLEANER INSTALLATION, (if equipped for LS), (not available to order, see items 1 thru 13 for service)	A
1	0641606	2	HEX HD CAPSCREW, 3/8-16X3/4, GR5	
2	0811510	2	SCREW, 5/16-18X1-1/4	
3	0811606	2	FLANGE SCREW, 3/8-16X3/4	
4	4711600	2	WASHER, 3/8	
5	8310420	2	FLANGE NUT, 5/16-18	
6	8405305	4	T-BOLT CLAMP, 3.38 ID	
7	10719267	2	HOSE CLAMP	
8	1001120393	1	AIR CLEANER SUPPORT BRACKET	
9	1001121278	1	AIR CLEANER, (includes items 101 thru 107)	E
10	1001129514	1	HUMP HOSE	
11	1001138718	1	AIR INTAKE HOSE	
12	1001138720	1	AIR INTAKE PIPE	
13	1001138749	1	AIR FILTER PIPE	
101	70023531	1	RESTRICTION INDICATOR	
102	70023532	1	RAIN CAP	
103	70023533	1	ELBOW	
104	N.S.S.	1	COVER AND BODY ASSY	
105	70023534	1	MOUNTING BAND	
106	70023535	1	PRIMARY ELEMENT	
107	70023536	1	SECONDARY ELEMENT	

## SECTION 5 - DRIVE TRAIN

**FIGURE 5-2. DRIVE TRAIN COMPONENTS G9-43A & G10-43A**

ITEM	PART NUMBER	QTY	DESCRIPTION	REV
	1001131776	Ref	DRIVETRAIN INSTALLATION, (G9-43A & G10-43A), (not available to order, see items 1 thru 18 for service)	B
1	0682444	16	HEX HD CAPSCREW, 7/8-9X5-1/2	
2	77383118	16	HARDENED WASHER, 7/8	
6	90206198	3.5 in	PVC VINYL EDGE TRIM, 3/16, (not shown)	
7	90206203	91 in	PVC VINYL EDGE TRIM, 1/2, (not shown)	
8	91403193	40	WHEEL NUT, M22X1.5, (torque to 350-400 lb-ft/474-542 Nm)	
13		Ref	FRAME LEVEL CYLINDER AND MOUNTING HARDWARE, (See HYDRAULIC COMPONENTS SECTION for Breakdown)	
14	1001097463	1	FRONT AXLE ASSY, (includes items 201 thru 209)	E
15	1001097464	1	REAR AXLE ASSY, (includes items 301 thru 305)	E
16	1001106573	1	FRONT DRIVE SHAFT	
17	1001106574	1	REAR DRIVE SHAFT	
18	8880218-OM	4	KIT, STRAP, DANA 1480, (includes items 601 & 602)	
101	8036433	4	UNIVERSAL JOINT KIT	
201		Ref	FRONT AXLE, (See FRONT AXLE for Breakdown)	
202	91515022	1	SWAY PIVOT ASSY	
203	91511105	2	RETAINER PLATE	
204	2170806	2	TEE FITTING, (includes o-ring)	
205	1001097466	2	HOSE ASSY	
206	2144605	4	STRAIGHT FITTING, (includes o-ring)	
207	77101143	4	HEX HD CAPSCREW	
208	90027475	7	WASHER	
209	2110808	2	STRAIGHT FITTING, (includes o-ring)	
301		Ref	REAR AXLE, (See REAR AXLE for Breakdown)	
302	2110808	2	STRAIGHT FITTING, (includes o-ring)	
303	2144605	2	STRAIGHT FITTING, (includes o-ring)	
304	2170806	1	TEE FITTING, (includes o-ring)	
305	1001097466	1	HOSE ASSY	
401		Ref	TRANSMISSION, (See ZF TRANSMISSION for Breakdown)	
501		Ref	WHEEL ASSY, (See WHEEL ASSEMBLY for Breakdown)	
601	8880216-OM	8	STRAP	
602	8880217-OM	16	STRAP BOLT, 0.375-24X0.75, GR9	

## SECTION 5 - DRIVE TRAIN

**FIGURE 5-7. DIFFERENTIAL G9-43A & G10-43A**

ITEM	PART NUMBER	QTY	DESCRIPTION	REV
1	80204043	1	NUT	
2	91514130	1	COVERPLATE	
3	80204048	1	TAPER ROLLER BEARINGS	
4	80204049	AR	SHIM	
4	80204050	AR	SHIM	
4	80204051	AR	SHIM	
4	80204052	AR	SHIM	
5	91514191	1	BEVEL GEAR SET	
6	80204035	1	TAPER ROLLER BEARING	
7	70023494	1	RING KIT	
8	70022140	1	SPACER	
9	N.S.S.	1	SEAL	
10	91514131	1	FLANGE	
11	80204044	1	O-RING	
12	80204033	2	TAPER ROLLER BEARING	
13	91514133	2	RING NUT	
14	91514134	2	BOLT	
15	91514123	16	BOLT	
16	70024004	1	DIFFERENTIAL CARRIER	
17	N.S.S.	2	DISC	
18	70023496	2	CLUTCH DISC	
19	N.S.S.	2	DISC	
20	91514141	2	DIFFERENTIAL SIDE GEAR	
21	70023491	4	FRICTION WASHER	
22	80204025	4	DIFFERENTIAL PINION	
23	70023490	2	DIFFERENTIAL SHAFT	
24	91514143	15	BOLT	
25	N.S.S.	4	DISC	
K1	70024005	1	DIFFERENTIAL KIT, (includes items 16 thru 25)	

## SECTION 5 - DRIVE TRAIN

### FIGURE 5-10. BRAKES G6-42A

ITEM	PART NUMBER	QTY	DESCRIPTION	REV
1	7028734	1	SPACER	
2	91474559	4	SPRING	
3	91474560	2	PISTON	
4	91474561	2	O-RING	
5	91514167	4	O-RING	
6	91514153	4	BACKUP RING	
7	7028735	2	COVER	
8	91474562	2	O-RING	
9	91474563	2	BACKUP RING	
10	91474564	2	PISTON	
11	91474565	2	INTERMEDIATE BRAKE DISC	
12	91514159	6	SPRING	
13	91514160	6	ADJUSTING BOLT	
14	91474568	8	DISC	
15	91474569	8	INTERMEDIATE BRAKE DISC	
16	91474570	2	SPACER	
17	70024213	4	BOLT	
18	7029788	6	ADJUSTING BOLT	
19	91514165	6	SPRING	
20	80204060	4	NUT	
21	80204108	4	LOCKWASHER	
22	80204281	4	BLEEDING BOLT	
23	80204117	4	PLUG	
24	91474571	AR	SHIM	
24	91474572	AR	SHIM	
24	91474573	AR	SHIM	
25	91514154	4	PLUG	

## SECTION 5 - DRIVE TRAIN

### FIGURE 5-15. DIFFERENTIAL G6-42A

ITEM	PART NUMBER	QTY	DESCRIPTION	REV
1	91474528	1	NUT	
2	70022797	1	FLANGE	
4	91474591	1	SEAL	
5	91474591	4	BOLT	
6	91474550	4	CIRCLIP	
7	91474529	1	O-RING	
8	91474533	1	RING NUT	
9	91474539	1	SPACER	
10	91474535	AR	SHIM	
10	91474536	AR	SHIM	
10	91474537	AR	SHIM	
10	91474538	AR	SHIM	
10	N.S.S.	AR	SHIM	
10	N.S.S.	AR	SHIM	
11	91474540	AR	SHIM	
11	91474541	AR	SHIM	
11	91474542	AR	SHIM	
11	91474543	AR	SHIM	
12	3968141	2	TAPER ROLLER BEARING	
13	91474544	1	BEVEL GEAR SET	
14	91514134	2	BOLT	
15	91474548	2	TAPER ROLLER BEARING	
17	91474549	2	DIFFERENTIAL SIDE GEAR	
18	7029129	4	DIFFERENTIAL PINION	
19	7029131	4	PIN	
20	91474551	4	CIRCLIP	
21	91474553	4	FRICTION WASHER	
23	91514123	12	BOLT	
24	91474547	2	RING NUT	
27	8007751	1	DIFFERENTIAL CARRIER	
29	8007755	2	DISC KIT	
K1	7028710	1	DIFFERENTIAL KIT, (includes items 6, 17 thru 21 & 27)	



## SECTION 5 - DRIVE TRAIN

**FIGURE 5-23. ZF TRANSMISSION - GEARBOX HOUSING**

ITEM	PART NUMBER	QTY	DESCRIPTION	REV
1	7026751	1	PIPE	
2	1319585	11	HEX HD CAPSCREW, M8X16, GR8.8	
3	8036847	8	O-RING	
4	7026750	1	PIPE	
5	7026752	1	PIPE	
6	1319670	7	PLUG	
7	80304327	7	O-RING	
8	N.S.S.	1	ORIFICE	
9	N.S.S.	1	HOUSING	
10	1319590	1	BRACKET	
11	N.S.S.	6	HEX HD CAPSCREW, M10X50, GR8.8	
12	N.S.S.	1	PLUG	
13	1319571	4	PIN	
14	80304394	31	HEX HD CAPSCREW, M10X30, GR8.8	
15	1319646	5	HEX HD CAPSCREW	
16	7026756	1	SCREEN SHEET	
17	7026755	1	SCREEN SHEET	
18	N.S.S.	3	CAPSCREW, M8X12, GR8.8	
19	7026753	1	SUCTION TUBE	
20	1319581	2	O-RING	
21	7026754	1	PIPE	
22	N.S.S.	1	HOUSING	
23	N.S.S.	2	O-RING	
24	N.S.S.	1	HOUSING	
25	N.S.S.	6	CAPSCREW, M10X30, GR8.8	
26	10731744	1	BREATHER	
27	N.S.S.	4	GROOVED STUD, 3X5	
28	N.S.S.	1	TYPE PLATE	
29	1319641	1	SHAFT SEAL	

## SECTION 5 - DRIVE TRAIN

**FIGURE 5-28. ZF TRANSMISSION - 3RD SHAFT GROUP**

ITEM	PART NUMBER	QTY	DESCRIPTION	REV
1	7026768	1	ROLLER BEARING	
2	7026767	1	ROLLER BEARING	
3	1319619	1	DISC CARRIER	
4	1319600	AR	SNAP RING, 4.0	
4	7029850	AR	SNAP RING, 3.75	
4	1319601	AR	SNAP RING, 3.5	
4	7029849	AR	SNAP RING, 3.25	
4	1319602	AR	SNAP RING, 3.0	
4	7029852	AR	SNAP RING, 2.75	
4	1319603	AR	SNAP RING, 2.5	
4	7029851	AR	SNAP RING, 2.25	
4	1319604	AR	SNAP RING, 2.0	
5	7026760	1	END SHIM	
6	7026758	8	FRICTION DISC	
7	7026759	8	STATIC DISC	
8	80304227	2	RETAINING RING	
9	7026766	1	WASHER	
10	7026765	7	CUP SPRING	
11	8036575	1	PISTON	
12	7026764	1	COUPLING	
13	7026769	1	ROLLER BEARING	
14	7026761	2	PISTON BEARING	

## SECTION 5 - DRIVE TRAIN

**FIGURE 5-33. ZF TRANSMISSION - OIL PUMP, FILTER AND DIPSTICK**

ITEM	PART NUMBER	QTY	DESCRIPTION	REV
1	1319670	2	PLUG, M10X1	
2	80304327	2	O-RING	
3	7026794	1	HEX HD CAPSCREW, M10X50, GR8.8	
4	80304394	1	HEX HD CAPSCREW, M10X30, GR8.8	
5	7026793	4	CAPSCREW, M12X80, GR10.9	
6	7026791	1	PUMP	
6	7029417	1	O-RING, (located between two halves of oil pump)	
7	7026792	3	O-RING	
8	1319719	1	O-RING	
9	1319726	1	FILTER	
10	8841322	1	DIPSTICK	
11	1001095744	1	DIPSTICK TUBE	
12	1319585	2	CAPSCREW, M8X16, GR8.8	
13	1319581	1	O-RING	
14	80933113	1	O-RING	
15	8036250	1	O-RING, (located between oil pump and transmission)	
K1	1001095738	1	OIL LEVEL GAUGE KIT, (includes items 10 & 11)	

**SECTION 6 - CAB**

FIGURE 6-3. CAB DOOR

ITEM	PART NUMBER	QTY	DESCRIPTION	REV
1	91474481	1	LOWER DOOR ASSY, (includes items 101 thru 124)	
2	91474482	1	UPPER DOOR ASSY, (includes items 201 thru 206)	
101	8035461	2	FLAT HD SCREW, 1/4-20X1-1/4	
102	91404316	1	GRAB HANDLE	
103	80264066	3	SCREW, M6X1X12	
104	91404311	1	PLASTIC DOOR COVER	
105	80384191	6	WHIZ-LOCK SCREW, #10-24X0.5	
106	80384192	1	INSIDE HANDLE	
107	91404315	1	RH WINDOW AND LH DOOR RELEASE LEVER	
108	91404317	1	SOCKET HD CAPSCREW, #8-32X1.12	
109	91404318	1	NYLOCK NUT, #8-32	
110	91404313	6	LOCKNUT, #10-24	
111	91404320	1	SLAM LATCH STIFFENER	
112	91404319	1	LH SLAM LATCH	
113	8866334	2	RIVNUT, 1/4-20	
114	91404321	1	LOWER DOOR DRIVE BAR WELDMENT	
115	80384189	4	HEX SCREW, 1/4-20X3/4	
116	1001081241	1	DOOR HANDLE, (includes item 123)	
117	80364001	8 ft	BULB SEAL	
118	80364079	1	RH CAM LATCH	
119	91404309	1	EXTERIOR RELEASE DOOR ROD	
120	80384187	3	ROD END RETAINER CLIP	
121	91404310	1	INTERIOR RELEASE DOOR ROD	
122	91404312	1	FOAM, LOWER DOOR	
123	80964051	1	DOOR KEY	
124	70023193	1	LOWER DOOR WELDMENT, (includes hinges)	
201	80364001	11 ft	BULB SEAL	
202	91404324	2	HEX BOLT, 5/16-18X5/8	
203	91334032	2	WASHER	
204	91404323	1	SLAM LATCH	
205	91474492	1	MALE DOOR HOLD-OPEN	
206	91404322	1	UPPER DOOR GLASS	
301	80364009	AR	URETHANE SEALANT	
302	91404302	AR	ACTIVATOR	

CLICK HERE TO **DOWNLOAD** THE COMPLETE MANUAL

- Thank you very much for reading the preview of the manual.
- You can download the complete manual from: [www.heydownloads.com](http://www.heydownloads.com) by clicking the link below



- Please note: If there is no response to CLICKING the link, please download this PDF first and then click on it.

CLICK HERE TO **DOWNLOAD** THE COMPLETE MANUAL

FIGURE 6-8. HEATER INSTALLATION

ITEM	PART NUMBER	QTY	DESCRIPTION	REV
	1001131977	Ref	HEATER INSTALLATION, (enclosed cab), (if equipped for ULS), (not available to order, see items 1 thru 96 for service)	G
	1001139634	Ref	HEATER INSTALLATION, (enclosed cab), (if equipped for LS), (not available to order, see items 3 thru 81 & 83 thru 98 for service)	F
1	8430048	1	ADAPTER, (if equipped for ULS)	
3	0641405	4	HEX HD CAPSCREW, 1/4-20X5/8	
9	0641518	1	HEX HD CAPSCREW, 5/16-18X2-1/4, GR5	
12		Ref	SOCKET HD CAPSCREW, #6-32X0.62, (See ELECTRICAL SECTION for Breakdown)	
16		Ref	HEX NUT, #6-32X0.62, (See ELECTRICAL SECTION for Breakdown)	
20	4711400	4	WASHER, 1/4	
28	77133137	1	COVER PLATE	
29	77133279	1	CLAMP SET	
31		Ref	KNOB, (See ELECTRICAL SECTION for Breakdown)	
32		Ref	POTENTIOMETER ASSY, (See ELECTRICAL SECTION for Breakdown)	
33	80383231	1	HEATER CONTROL VALVE	
38		Ref	BLOWER SWITCH, (See ELECTRICAL SECTION for Breakdown)	
39	82033995	102 in	HOSE, (if equipped for ULS)	
39	82033995	168 in	HOSE, (if equipped for LS)	
40	82033997	132 in	WASHER FLUID HOSE, (not shown)	
42	86683193	8	HOSE CLAMP	
43	86883328	13	HOSE CLAMP	
46		Ref	CLIP, (See ELECTRICAL SECTION for Breakdown)	
61	91413036	12	SCREW, #6X1/2	
69		Ref	ENCLOSED CAB OPTION HARNESS, (not shown), (See ELECTRICAL SECTION for Breakdown)	
77	1001100278	3	AIR CONDITIONING VENT	
78	1001100279	3	DEFROST VENT	
81	1001100446	74 in	VENT HOSE, (if equipped for ULS)	
81	1001100446	67 in	VENT HOSE, (if equipped for LS)	
82	1001135035	1	ADAPTER, 90, (if equipped for ULS)	
83	1001101216	3	DEFROST BASE VENT	
85	1001101668	2	CONDUIT	
86	1001101669	2	CONDUIT	
89		Ref	RETURN AIR VENT, (See CAB INSTALLATION for Breakdown)	
96	1001100447	122 in	HOSE, (if equipped for ULS)	
96	1001100447	148 in	HOSE, (if equipped for LS)	
97	2220806	2	STRAIGHT FITTING, (if equipped for LS)	
98	84231107	3	HOSE CLAMP, (if equipped for ULS)	
	84231107	1	HOSE CLAMP, (if equipped for LS)	
101	1001100282	1	BLOWER UNIT COVER	
102	1001114282	1	3 SPEED HEATER ASSY	
103	82033995	64 in	HOSE	
201		Ref	SEAT RISER PANEL, (See CAB INSTALLATION for Breakdown)	
202		Ref	SCREW, #6X1/2, (See CAB INSTALLATION for Breakdown)	

## SECTION 7 - CONTROLS

**FIGURE 7-2. ACCELERATOR**

ITEM	PART NUMBER	QTY	DESCRIPTION	REV
1	91561192	1	BRACKET	
2	0641508	2	HEX HD CAPSCREW, 5/16-18X1, GR5, (torque to 17 lb-ft/23 Nm)	
3	4711500	2	WASHER, 5/16	
4	0641408	2	HEX HD CAPSCREW, 1/4-20X1, GR5, (torque to 96 lb-ft/130 Nm)	
5	4711400	2	WASHER, 1/4	
6		Ref	ENGINE HARNESS, (See ELECTRICAL SECTION for Breakdown)	
10	1001090003	1	PEDAL, (includes items 11 thru 16)	C
11	7029908	1	SENSOR KIT, (includes screws)	
12	N.S.S.	1	BRACKET	
13	70023325	1	PEDAL KIT, (includes items 14 & 16)	
14	N.S.S.	1	PEDAL SPRING	
15	7026481	1	PEDAL ARM	
16	N.S.S.	1	PEDAL PIN	
17	0100011	AR	LOCTITE 242	

## SECTION 7 - CONTROLS

**FIGURE 7-7. TILT AND FRAME LEVEL JOYSTICK INSTALLATION**

ITEM	PART NUMBER	QTY	DESCRIPTION	REV
	91475033	Ref	TILT AND FRAME LEVEL JOYSTICK INSTALLATION, (G6-42A & G9-43A), (if equipped), (not available to order, see items 1 thru 7 for service)	F
1		Ref	TILT AND FRAME LEVEL JOYSTICK ASSY, (See TILT AND FRAME LEVEL JOYSTICK ASSEMBLY for Breakdown)	
2	91473146	2	CONTROL CABLE	
3	91416013	1	RH CONTROL BRACKET	
4	88201006	4	HEX HD CAPSCREW, 1/4-20X1-1/4, GR5	
5	88561107	4	FLAT WASHER, 1/4	
6	91416017	2	WELD NUT PLATE WELDMENT	
7	88551009	4	LOCKWASHER, 1/4	
102	0641508	3	HEX HD CAPSCREW, 5/16-18X1, GR5	
111	4761500	3	WASHER, 5/16	

## SECTION 7 - CONTROLS

**FIGURE 7-12. ELECTRIC AUXILIARY HYDRAULIC JOYSTICK**

ITEM	PART NUMBER	QTY	DESCRIPTION	REV
	1001106508	1	ELECTRIC AUXILIARY HYDRAULIC JOYSTICK, (G9-43A), (if equipped), (includes items 1 thru 5)	A
1	4461217	1	CONNECTOR	
1	70020823	1	WEDGE LOCK	
2	4460917	5	TERMINAL	
3	4460518	1	PLUG	
4	N.S.S.	2	PAN HD CAPSCREW, M5X12	
5	N.S.S.	2	PLASTIC WASHER, #10	
	1001131806	1	ELECTRIC AUXILIARY HYDRAULIC JOYSTICK, (G10-43A), (includes items 101 thru 105)	A
101	4461217	1	CONNECTOR	
101	70020823	1	WEDGE LOCK	
102	4460917	5	TERMINAL	
103	4460518	1	PLUG	
104	N.S.S.	2	PAN HD CAPSCREW, M5X12	
105	N.S.S.	2	PLASTIC WASHER, #10	

## SECTION 8 - HYDRAULIC CIRCUITS

**FIGURE 8-2. SUPPLY CIRCUIT G9-43A & G10-43A**

ITEM	PART NUMBER	QTY	DESCRIPTION	REV
2	0641412	2	HEX HD CAPSCREW, 1/4-20X1-1/2, GR5	
13	2110606	1	ADAPTER, CONNECTOR, (includes o-ring)	
22	2172116	1	ADAPTER, 90, (includes o-ring)	
39	77133052	2	COVER PLATE	
40	77133073	2	CLAMP	
45	90028720	2	HEAVY DUTY BAND CLAMP, (torque to 45-50 lb-in/5.08-5.64 Nm)	
57		Ref	HYDRAULIC TANK, (See HYDRAULIC COMPONENTS SECTION for Breakdown)	
59	1001125119	1	HOSE ASSY	
60	1001125128	1	HOSE ASSY	
67	1001130213	1	HOSE ASSY	
70	1001132162	1	SUCTION HOSE	
72	1001132579	1	HOSE ASSY	
75		Ref	PRESSURE REDUCING VALVE, (See DUMP CIRCUIT for Breakdown)	
76	1001148109	1	HYDRAULIC PRESSURE PIPE	
86	90206203	57 in	TRIM-LOK	
88	8750044	2	RAIL NUT, M6	
89	0700617	2	HEX HD CAPSCREW, M6X45, GR8.8	
110	1001137208	1	HOSE ASSY	
112	1001105622	1	HOSE ASSY	
113	1001105627	1	HOSE ASSY	
114	1001105631	1	HOSE ASSY	
115	1001149242	1	HOSE ASSY	
203		Ref	STEERING CONTROL VALVE, (See CONTROLS SECTION for Breakdown)	
301		Ref	BRAKE VALVE, (See CONTROLS SECTION for Breakdown)	
414		Ref	BOOM JOYSTICK, (See CONTROLS SECTION for Breakdown)	
502	0641812	4	HEX HD CAPSCREW, 1/2-13X1-1/2, GR5	
503	0701215	4	HEX HD CAPSCREW, M12X35, GR8.8	
504	2110604	1	ADAPTER, CONNECTOR, (includes o-ring)	
506	3790228	1	O-RING	
507	3931648	4	SOCKET HD CAPSCREW, 3/8-16X3, (torque to 35 lb-ft/47.45 Nm)	
509	4761800	4	LOCKWASHER, 1/2	
510	4891800	4	WASHER, 1/2	
511	8546407	2	FLANGE HALF	
512	8630019	1	O-RING	
513	91083106	1	O-RING	
514		Ref	HYDRAULIC PUMP, (See HYDRAULIC COMPONENTS SECTION for Breakdown)	
515	1001107814	1	ADAPTER, 45	
517		Ref	HYDRAULIC MANIFOLD, (See HYDRAULIC COMPONENTS SECTION for Breakdown)	
520	1001116005	1	HOSE ASSY	
601		Ref	RADIATOR ASSY, (See ENGINE AND ATTACHING PARTS SECTION for Breakdown)	
701	2130606	1	ADAPTER, 90, (includes o-ring)	
702	2150606	2	ADAPTER, 45, (includes o-ring)	
703	2150608	1	ADAPTER, 45, (includes o-ring)	
704	2151616	1	ADAPTER, 45, (includes o-ring)	
706	2170706	1	ADAPTER, RUN TEE, (includes o-ring)	



## SECTION 8 - HYDRAULIC CIRCUITS

### FIGURE 8-9. BOOM JOYSTICK CIRCUIT G9-43A & G10-43A

ITEM	PART NUMBER	QTY	DESCRIPTION	REV
1	0641408	4	HEX HD CAPSCREW, 1/4-20X1, GR5	
3	2110406	4	ADAPTER, CONNECTOR, (includes o-ring)	
4	2110606	2	ADAPTER, CONNECTOR, (includes o-ring)	
5	4751400	4	WASHER, 1/4	
6	4761400	4	LOCKWASHER, 1/4	
14		Ref	BOOM JOYSTICK, (See CONTROLS SECTION for Breakdown)	
106	1001135966	1	HOSE ASSY	
107	1001135967	1	HOSE ASSY	
108	1001135968	1	HOSE ASSY	
109	1001135969	1	HOSE ASSY	
114		Ref	HOSE ASSY, (See SUPPLY CIRCUIT for Breakdown)	
117		Ref	HOSE ASSY, (See DUMP CIRCUIT for Breakdown)	
201		Ref	MAIN CONTROL VALVE, (See HYDRAULIC COMPONENTS SECTION for Breakdown)	
214	2130406	4	ADAPTER, 90, (includes o-ring), (G9-43A, not equipped with tilt on joystick), (G10-43A)	
214	2130606	4	ADAPTER, 90, (includes o-ring), (G9-43A, if equipped with tilt On joystick)	
301	2170506	2	ADAPTER, RUN TEE, (includes o-ring)	
306	1001132395	1	HOSE ASSY	
312	1001136439	2	HOSE ASSY	
320	1001132394	1	HOSE ASSY	
329		Ref	HOSE ASSY, (See AUXILIARY HYDRAULIC CIRCUIT for Breakdown)	
330	1001132417	1	HOSE ASSY	
402	2170706	2	ADAPTER, RUN TEE, (includes o-ring)	
418	1001152168	2	HOSE ASSY	

## SECTION 8 - HYDRAULIC CIRCUITS

**FIGURE 8-14. TILT CYLINDER AND COMPENSATING CYLINDER CIRCUIT G6-42A**

ITEM	PART NUMBER	QTY	DESCRIPTION	REV
4	1001112207	1	TWIN LINE HOSE ASSY	A
5	0903293	1	HOSE RETAINER	
6	88501006	2	HEX NUT, 3/8-16	
7	2171106	2	BULKHEAD UNION, 3/8	
22	4761600	2	LOCKWASHER, 3/8	
37	91405085	1	HOSE RETAINER ASSY, (includes items 501 thru 504)	
44	0641829	1	HEX HD CAPSCREW, 1/2-13X3-5/8, GR5	
45	4761800	1	SPRING LOCKWASHER, 1/2	
50	4751800	1	WASHER, 1/2	
64	3580347	1	HOSE SHEAVE PULLY	
73		Ref	TILT CYLINDER, (See HYDRAULIC COMPONENTS SECTION for Breakdown)	
79	1001101617	2	HOSE ASSY	
80	2130610	2	ELBOW, 90, (includes o-ring)	
81	2171206	2	BULKHEAD FITTING, 90	
85	2221253	2	FITTING, 90	
87	4711600	2	FLAT WASHER, 3/8	
89	0641607	4	HEX HD CAPSCREW, 3/8-16X7/8, GR5	
93	1001090364	1	HOSE BRACKET	
94	77133168	3	CLAMP SET	
95	77133140	3	COVER PLATE	
96	0641511	3	HEX HD CAPSCREW, 0.312-18X1.375, GR5	
97	91083216	2	CLAMP ASSY	
113	1001001332	1	TUBE ASSY	
207		Ref	COMPENSATION CYLINDER, (See HYDRAULIC COMPONENTS SECTION for Breakdown)	
209	2130808	1	ELBOW, 90	
210	2170208	1	ELBOW, 90	
218	1001101588	1	HOSE ASSY	
219	1001101589	1	HOSE ASSY	
220	1001101591	1	HOSE ASSY	
221	1001101592	1	HOSE ASSY	
349	1001098361	1	TUBE ASSY	
354	1001102623	1	TUBE ASSY	
358		Ref	TUBE CLAMP, (See LIFT CYLINDER CIRCUIT for Breakdown)	
404	2110810	2	ADAPTER, CONNECTOR, (includes o-ring)	
413		Ref	MAIN CONTROL VALVE, (See HYDRAULIC COMPONENTS SECTION for Breakdown)	
501	91401435	1	HOSE RETAINER	
502	91403499	1	PAD	
503	88241023	4	FLAT HD CAPSCREW, #10-24X5/8	
504	88501612	4	HEX NUT, #10-24	

## SECTION 8 - HYDRAULIC CIRCUITS

### FIGURE 8-19. OUTRIGGER CIRCUIT

ITEM	PART NUMBER	QTY	DESCRIPTION	REV
9	0641511	4	HEX HD CAPSCREW, 5/16-18X1-3/8, GR5	
24	2170816	1	ADAPTER, BRANCH TEE, (includes o-ring)	
25	2171116	2	FITTING, BULKHEAD UNION	
38	4761600	8	LOCKWASHER, 3/8	
53	77133140	4	COVER PLATE	
54	77133168	4	CLAMP SET	
56	88501006	4	HEX NUT, 3/8-16	
63	1001105751	1	HYDRAULIC PIPE	
64	1001105752	1	HYDRAULIC PIPE	
65	1001105753	1	HYDRAULIC PIPE	
66	1001105755	1	HYDRAULIC PIPE	
67	1001105756	1	HYDRAULIC PIPE	
68	1001105757	1	HYDRAULIC PIPE	
69	1001105758	1	HYDRAULIC PIPE	
70	1001108288	1	HYDRAULIC PIPE	
78	1001122395	1	HYDRAULIC PIPE	
91		Ref	OUTRIGGER CONTROL VALVE ASSY, (See HYDRAULIC COMPONENTS SECTION for Breakdown)	
92		Ref	OUTRIGGER MAIN CONTROL VALVE ASSY, (See HYDRAULIC COMPONENTS SECTION for Breakdown)	
97	1001132704	1	HOSE ASSY	
106	1001137203	4	CARRIAGE BOLT, 3/8-16X1-3/4	
114		Ref	OUTRIGGER CYLINDER, (See HYDRAULIC COMPONENTS SECTION for Breakdown)	
115	1001110738	4	HOSE ASSY	
211	2111616	1	ADAPTER, STRAIGHT, (includes o-ring)	
301	2110810	2	ADAPTER, STRAIGHT, (includes o-ring)	
302	2111612	2	ADAPTER, STRAIGHT, (includes o-ring)	
303	2130404	2	ADAPTER, 90, (includes o-ring)	
305	2130810	1	ADAPTER, STRAIGHT, (includes o-ring)	
306	2220240	3	ADAPTER, PLUG	
476		Ref	HYDRAULIC PRESSURE PIPE, (See SUPPLY CIRCUIT for Breakdown)	

## SECTION 9 - HYDRAULIC COMPONENTS

**FIGURE 9-4. EXTEND/RETRACT CYLINDER G6-42A (Prior to SN 0160057307)**

ITEM	PART NUMBER	QTY	DESCRIPTION	REV
	91473230	NLA	EXTEND/RETRACT CYLINDER, (no longer available, use items 1 thru 23 for service)	C
1	Kit K1	1	O-RING	
2	Kit K1	1	O-RING	
3	Kit K1	1	BACK-UP RING	
4	Kit K1	1	O-RING	
5	Kit K1	1	SEAL	
6	Kit K1	1	SEAL	
7	Kit K1	1	WIPER	
8	Kit K1	1	SEAL	
9	Kit K1	2	WEAR RING	
10	Kit K1	2	WEAR RING	
12	7003226	1	LOCKNUT	
13	70021774	2	SET SCREW	
15	7005365	3	PORT PLUG	
16	1001109225	1	COUNTERBALANCE VALVE	
17	70021772	1	WEAR PAD	
18	70021771	1	TUBE ASSY	
19	70021770	1	ROD	
20	70021769	1	HEAD	
21	70021768	1	PISTON	
22	70021767	1	COLLAR	
23	70021766	1	SPACER	
105	91403022	1	EXTEND/RETRACT CYLINDER PIN	
106	88581149	2	RETAINING RING	
136	14403323	AR	NEVER SEEZE LUBE	
K1	70021775	1	SEAL KIT, (includes items 1 thru 10)	

## SECTION 9 - HYDRAULIC COMPONENTS

**FIGURE 9-9. TILT CYLINDER G9-43A & G10-43A**

ITEM	PART NUMBER	QTY	DESCRIPTION	REV
	91513275		TILT CYLINDER, (G9-43A & G10-43A), (includes items 1 thru 23)	B
1	1001109225	1	RELIEF VALVE, (torque to 44 lb-ft/60 Nm)	
1	91404382	1	SEAL KIT	
2	70022063	1	BARREL ASSY, (includes item 19)	
3	10727280	1	LOCKNUT, (torque to 1550-1810 lb-ft/2101-2454 Nm)	
4	70022065	1	PISTON ASSY, (includes items 5 thru 8)	
5	N.S.S.	1	PISTON	
6	Kit K1	1	PISTON SEAL	
7	Kit K1	2	WEAR RING	
8	Kit K1	1	O-RING	
9	7029760	1	CAPSCREW	
10	70022056	1	ROD BEARING ASSY, (includes items 11 thru 17)	
11	N.S.S.	1	ROD BEARING	
12	Kit K1	1	PISTON SEAL	
13	Kit K1	1	ROD SEAL	
14	Kit K1	1	BUFFER SEAL	
15	N.S.S.	1	WIPER	
16	Kit K1	2	WEAR RING	
17	Kit K1	1	O-RING	
18	91404080	3	GREASE FITTING	
19	7029871	2	BUSHING, (manganese phosphate coating)	
20	70022066	1	PLUG, (torque to 10-15 lb-ft/14-20 Nm)	
21	70022064	1	ROD ASSY	
22	7029872	1	BUSHING, (manganese phosphate coating)	
23	70022067	1	PLUG, (torque to 10-15 lb-ft/14-20 Nm)	
72	1001115739	1	CYLINDER PIN	
73	88581149	2	RETAINING RING	
K1	91514281	1	SEAL KIT, (includes items 6 thru 8, 12 thru 14, 16 & 17)	

## SECTION 9 - HYDRAULIC COMPONENTS

**FIGURE 9-14. FRAME LEVEL CYLINDER G6-42A**

ITEM	PART NUMBER	QTY	DESCRIPTION	REV
	1001140444	1	FRAME LEVEL CYLINDER, (G6-42A), (includes items 1 thru 19)	A
1	Kit K1 AND K3	1	BACK-UP RING	
2	Kit K1 AND K3	1	BUFFER RING	
3	Kit K1 AND K3	1	BUSHING	
4	Kit K2	3	BUSHING	
5	Kit K1 AND K3	1	O-RING	
6	Kit K1	1	O-RING	
7	Kit K4	1	PISTON	
8	Kit K1 AND K4	1	PISTON SEAL	
9	Kit K3	1	RETAINER	
10	Kit K2	1	ROD	
11	Kit K2	1	ROD END	
12	Kit K1 AND K3	1	ROD SEAL	
13	Kit K4	1	SET SCREW	
14	70025936	1	BARREL	
15	Kit K1 AND K4	2	WEAR RING	
16	Kit K1 AND K3	1	WIPER	
K1	70025937	1	SERVICE KIT	
K2	70025938	1	ROD ASSY KIT	
K3	70025939	1	RETAINER SUB ASSY KIT	
K4	70025940	1	PISTON SUB ASSY KIT	

## SECTION 9 - HYDRAULIC COMPONENTS

**FIGURE 9-19. 72IN, 90, SWING CARRIAGE CYLINDER**

ITEM	PART NUMBER	QTY	DESCRIPTION	REV
	1001103182	2	72IN 90 SWING CARRIAGE CYLINDER, (includes items 1 thru 22), (included item quantities are per single cylinder)	B
1	70022044	1	TUBE ASSY	
2	8035863	1	PISTON	
3	8035862	1	HEAD GLAND	
4	70022045	1	ROD ASSY	
5	70022046	1	BEARING, (not shown)	
6	8035536	2	SET SCREW, 5/16-18X1/2	
7	70020428	1	RELIEF VALVE, (pre-set to 2000psi)	
7	7024574	1	SEAL KIT	
8	8033786	1	COUNTER BALANCE VALVE, (pre-set to 3000psi)	
8	8205655	1	SEAL KIT	
9	70021812	1	TAMPERPROOF CAP	
11	Kit K1	1	O-RING	
12	Kit K1	1	O-RING	
13	Kit K1	1	O-RING	
14	Kit K1	1	SQUARE RING	
15	Kit K1	1	BACK-UP RING	
16	Kit K1	1	SEAL	
17	Kit K1	1	PISTON SEAL	
18	Kit K1	1	ROD WIPER	
19	Kit K1	2	WEAR BAND	
20	Kit K1	1	WEAR BAND	
21	Kit K1	2	INSERT	
22	Kit K1	2	INSERT	
101	7110722	2	CYLINDER PIN, (base end)	
102	7110712	2	CYLINDER PIN, (rod end)	
103	8303634	2	HEX HD CAPSCREW, 5/8-11X4, GR5	
104	8305643	2	HEX NUT, 5/8-11	
K1	2915023	1	SEAL KIT, (includes items 11 thru 22)	







**SECTION 10 - ELECTRICAL**

## SECTION 10 - ELECTRICAL

**FIGURE 10-3. BOOM AND FRAME ELECTRICAL INSTALLATION G6-42A**

ITEM	PART NUMBER	QTY	DESCRIPTION	REV
	1001101743	Ref	BOOM AUXILIARY ELECTRICAL INSTALLATION, (G6-42A), (if equipped with Manual Quick Switch), (not available to order, see items 1 thru 21 for service)	B
	1001001068	Ref	BOOM AUXILIARY ELECTRICAL INSTALLATION, (G6-42A), (if equipped with Hydraulic Quick Switch), (not available to order, see items 1, 9 thru 11, 17 thru 20 & 102 thru 120 for service)	F
1	1001128320	1	AUX FRAME HARNESS, (includes items 201 & 202)	
2	8584003	9	NYLON TIE	
9	91403520	1	TUBE	
10	91403522	Ref	AUXILIARY ELECTRICAL HARNESS, (includes items 301 thru 303)	
11	0641607	1	HEX HD CAPSCREW, 3/8-16X7/8, GR5	
12	4751600	1	WASHER, 3/8	
13	90207661	1	6 CONTACT SWITCH	
14	1001099812	1	CONNECTOR COVER	
15	4711400	2	FLAT WASHER, 1/4	
16	0641408	2	HEX HD CAPSCREW, 1/4-20X1, GR5	
17	77133497	3	CLAMP	
18	77133498	3	COVER PLATE	
19	77133209	6	HEX HD CAPSCREW, 1/4-20X1 3/8	
20	4711600	2	FLAT WASHER, 3/8	
21	0641808	2	HEX HD CAPSCREW, 3/8-16X1, GR5	
102		Ref	HYDRAULIC QUICK SWITCH SWITCH, (See CAB SWITCHES for Breakdown)	
117	1001090006	Ref	QUICK SWITCH HARNESS, (includes item 401)	
118	77133139	1	CLAMP	
119	77133140	1	COVER PLATE	
120	77133177	1	HEX HD CAPSCREW, 0.313-18X1 3/8	
201	77363232	1	CONNECTOR	
201	4460464	5	TERMINAL	
201	4460466	1	PLUG	
202	77363233	1	CONNECTOR	
202	4460465	5	TERMINAL	
202	4460466	1	PLUG	
301	77363233	1	CONNECTOR	
302	91143107	1	STRAIN RELIEF	
303	77363229	5	SOCKET CONTACT	
401	4460891	1	CONNECTOR	
401	80604018	1	SECONDARY LOCK WEDGE	
508	91143357	1	HORN, (not shown)	



## SECTION 10 - ELECTRICAL

### FIGURE 10-12. FRAME HARNESS

ITEM	PART NUMBER	QTY	DESCRIPTION	REV
	1001133354	1	FRAME HARNESS, (includes all items)	F

## SECTION 10 - ELECTRICAL

### FIGURE 10-17. INSTRUMENT PANEL HARNESS

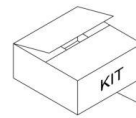
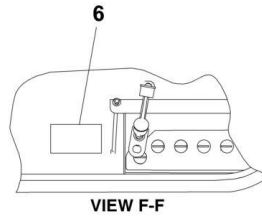
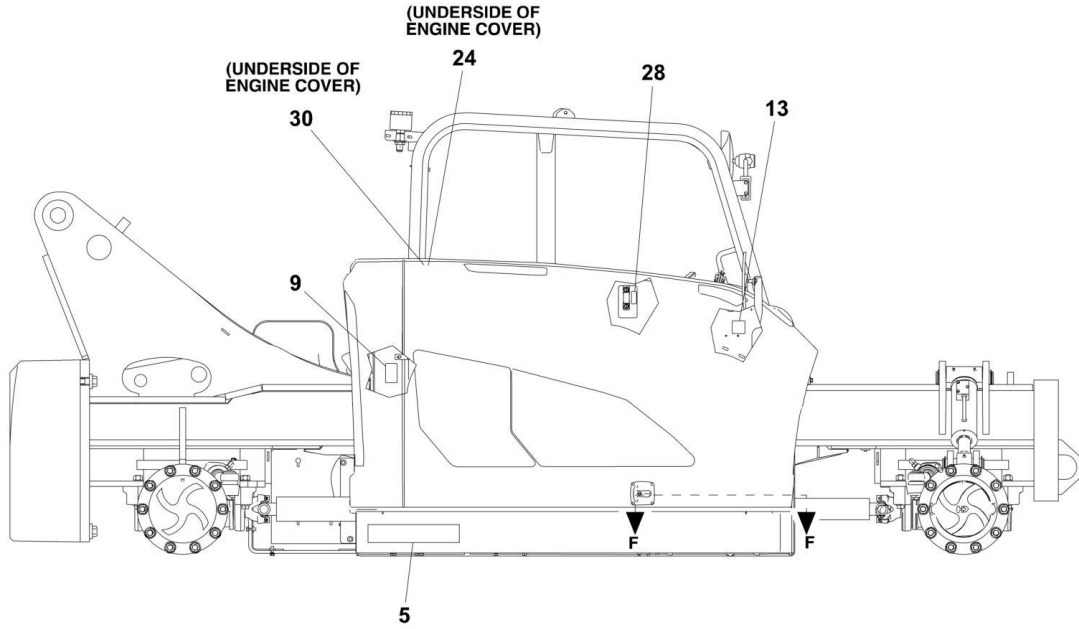
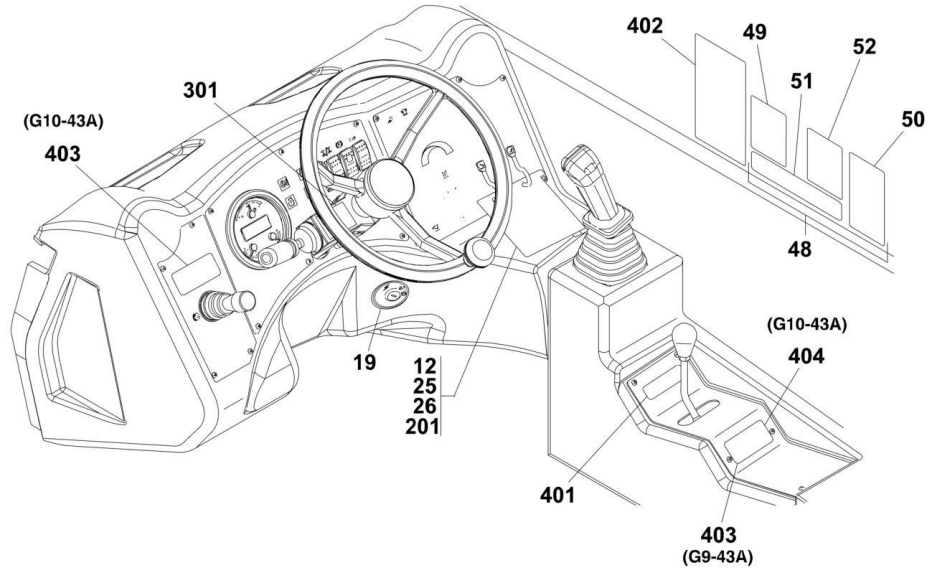
ITEM	PART NUMBER	QTY	DESCRIPTION	REV
	1001102815	1	INSTRUMENT PANEL HARNESS, (includes all items)	C
1	91503105	1	8 PIN RECEPTACLE	
2	91503106	1	WEDGE LOCK	
3	77363228	7	TERMINAL	
4	4460466	1	PLUG	
5	N.S.S.	1	CONNECTOR	
6	70022691	1	WEDGE LOCK	
7	4460944	3	CONTACT	
8	N.S.S.	1	CONNECTOR	
9	N.S.S.	1	DOUBLE LOCK PLATE	
10	N.S.S.	1	SOCKET	
11	N.S.S.	1	WIRE SEAL	
12	N.S.S.	1	PLUG	
13	7026437	4	BULB BASE	
14	7026438	8	TERMINAL	
15	80484088	4	BULB	
16	1001116816	1	DIODE	
17	4460465	3	TERMINAL	
18	80604021	1	WEDGE LOCK	
19	4460884	1	CONNECTOR	
20	4460466	1	PLUG	

## SECTION 10 - ELECTRICAL

### FIGURE 10-22. A/C HARNESS

ITEM	PART NUMBER	QTY	DESCRIPTION	REV
	91563247	1	A/C HARNESS, (includes items 1 thru 5)	D
1	80963058	2	SHROUD	
2	80963069	3	TERMINAL	
3	80963067	2	CABLE SEAL	
4	80963056	1	CONNECTOR	
5	80963065	1	CABLE SEAL, GREEN	

# SECTION 11 - DECALS



- K1
- K2
- K3
- K4
- K5
- K6
- K7

PAP26590

## SECTION 12 - RECOMMENDED SPARE PARTS

ITEM	PART NUMBER	QTY	DESCRIPTION	REV
	91403087	1	Bearing Pad, Push Beam, (G6-42A)	
	1001102974	1	Bearing Pad, Push Beam, (G9-43A & G10-43A)	
	1001105441	1	Quick Switch Lock Pin	
	2940074	1	Latch	
	88671027	4	Grease Fitting, (G6-42A)	
		Ref	<b>ENGINE</b>	
	70022846	1	Primary Fuel Filter, (if equipped for ULS)	
	70023812	1	Secondary Fuel Filter, (if equipped for ULS)	
	70024278	1	Oil Filter, (if equipped for ULS)	
	8036204	1	Oil Filter, (if equipped for LS)	
	70024177	1	Primary Air Filter, (if equipped for ULS)	
	70023535	1	Primary Air Filter, (if equipped for LS)	
	70024176	1	Safety Element, (if equipped for ULS)	
	70023536	1	Secondary Element, (if equipped for LS)	
	1001093641	1	Fuel Tank Cap, Non-Locking	
	1001102657	1	Fuel Tank Cap, Locking	
	1001129824	1	Fan, (if equipped for ULS)	
	1001138615	1	Fan, (if equipped for LS)	
	70024274	1	Fan Belt, (if equipped for ULS)	
	70024285	1	Fan Belt, (if equipped for LS)	
	70021854	1	Dipstick	
		Ref	<b>DRIVE TRAIN</b>	
	91563226	1	FNR Shifter	
	70023325	1	Accelerator Pedal Kit	
	7029908	1	Accelerator Sensor Kit	
	7028718	4	Wheel End Seal	
	91514111	4	Wheel End Bushing	
	7028721	2	Wheel Hub Seal, (G6-42A)	
	7029300	2	Wheel Hub Seal, (G9-43A & G10-43A)	
	8036433	4	Universal Joint Kit	
		Ref	<b>HYDRAULIC SYSTEM</b>	
	91403490	1	Boom Joystick Assy, (G6-42A), (if equipped)	
	91403491	1	Boom Joystick Assy With Tilt, (G6-42A), (if equipped)	
	91404010	1	Boom Joystick Handle Assy, (G6-42A), (if equipped)	
	91404325	1	Boom Joystick Handle With Wire and Connector, (G6-42A), (if equipped)	
	1001130050	1	Boom Joystick, (G9-43A), (if equipped)	
	1001130045	1	Boom Joystick With Tilt, (G9-43A, if equipped), (G10-43A)	
	70022061	1	Lift Cylinder Seal Kit, (G9-43A & G10-43A)	
	70021775	1	Extend/Retract Cylinder Seal Kit, (G6-42A)	
	70022858	1	Extend/Retract Cylinder Seal Kit, (G9-43A & G10-43A)	
	70021764	1	Tilt Cylinder Seal Kit, (G6-42A)	
	91514281	1	Tilt Cylinder Seal Kit, (G9-43A & G10-43A)	
	7029821	1	Compensation Cylinder Seal Kit, (G6-42A)	
	70024012	1	Compensation Cylinder Seal Kit, (G9-43A & G10-43A)	
	70021633	1	Frame Level Cylinder Seal Kit, (G6-42A)	
	70022864	1	Frame Level Cylinder Seal Kit, (G9-43A & G10-43A)	
	70023899	2	Outrigger Cylinder Seal Kit, (G10-43A)	
	70024152	1	Tank Filter Kit	
	1340021	1	Breather	
	70024153	1	Sight Gauge	
	70022041	1	Side Tilt Carriage Cylinder Seal Kit	

CLICK HERE TO **DOWNLOAD** THE COMPLETE MANUAL

- Thank you very much for reading the preview of the manual.
- You can download the complete manual from: [www.heydownloads.com](http://www.heydownloads.com) by clicking the link below



- Please note: If there is no response to CLICKING the link, please download this PDF first and then click on it.

CLICK HERE TO **DOWNLOAD** THE COMPLETE MANUAL