



# Illustrated Parts Manual

*Model*

**520AJ**

P/N  
**3121666**

*November 16, 2018 - Rev P*

CE  
**AS/NZS**



An Oshkosh Corporation Company

CLICK HERE TO **DOWNLOAD** THE COMPLETE MANUAL

- Thank you very much for reading the preview of the manual.
- You can download the complete manual from: [www.heydownloads.com](http://www.heydownloads.com) by clicking the link below



- Please note: If there is no response to CLICKING the link, please download this PDF first and then click on it.

CLICK HERE TO **DOWNLOAD** THE COMPLETE MANUAL

**SECTION 1 - FRAME**

# SECTION 1 - FRAME

## FIGURE 1-5. DRIVE HUB AND BRAKE ASSEMBLY - REAR

ITEM	PART NUMBER	QTY	DESCRIPTION	REV
	2780267	Ref	DRIVE HUB AND BRAKE ASSEMBLY - REAR	I
1	See Note	1	Spindle/Housing Assembly (Note: Purchase Individual Components)	
1A	7017059	1	Spindle	
1B	7001998	1	Seal	
1C	7010429	1	Cone, Bearing (Includes Item 1D)	
1D	7010429	1	Cup, Bearing (Includes Item 1C)	
1E	7000257	1	Cup, Bearing	
1F	7000258	1	Cone, Bearing	
1G	7007601	1	Housing/Ring Gear	
1H	7000232	1	Washer, Thrust	
1I	7000229	1	Ring, Retaining	
1N	7007640	9	Stud, Wheel	
2	7000246	1	Gear, Internal	
3	7024712	1	Carrier Assembly	
3A	See Note	1	Carrier (Note: Use p/n 7024712)	
3B	See Note	6	Ring, Retaining (Note: Use p/n 7024712)	
3C	See Note	AR	Bearing, Needle (Note: Use p/n 7024712)	
3D	See Note	3	Washer, Thrust (Note: Use p/n 7024712)	
3E	See Note	3	Shaft, Planet (Note: Use p/n 7024712)	
3F	See Note	3	Gear, Planet (Note: Use p/n 7024712)	
3G	See Note	3	Rollpin (Note: Not Available for Purchase)	
4	7000248	1	Ring Gear	
5	7000230	1	O-Ring	
5A	7017070	1	O-Ring	
6	70001349	1	Cover assembly Kit	
6A	See Note	1	Spacer, Thrust (Note: Use p/n 70001349)	
6B	See Note	1	Plate, Cover (Note: Use p/n 70001349)	
6C	See Note	1	O-Ring (Note: Use p/n 70001349)	
6D	See Note	1	Rod, Disconnect (Note: Use p/n 70001349)	
6E	See Note	1	Cap, Disengage (Note: Use p/n 70001349)	
6F	See Note	2	Bolt (Note: Use p/n 70001349)	
6G	See Note	1	Plug, Pipe (Note: Use p/n 70001349)	
6I	See Note	4	Rivet (Note: Not Available for Purchase)	
6J	See Note	1	Plate, ID (Note: Not Available for Purchase)	
7		Ref	Input Shaft Assembly	
7A	7024714	1	Shaft	
7B	7000261	1	Ring, Retaining	
7C	7000262	1	Spring	
7D	7000263	2	Spacer, Thrust	
8	7024713	1	Gear, Sun	
11	7000253	1	Washer, Thrust	
12	7017067	12	Bolt	
13	7017080	4	Pin, Dowell	
14	7000206	1	Coupling	
15	7024715	1	Spacer, Input	
16	7024716	1	Spacer, Input	
17	7024182	1	Brake Assembly (See Items 101-123 for Breakdown)	
27	7024705	1	O-Ring	
28	7024717	2	Rod, Threaded	

## SECTION 1 - FRAME

**FIGURE 1-9. TIRE AND WHEEL INSTALLATION - 33/1550 X 16.5 FOAM FILLED**

ITEM	PART NUMBER	QTY	DESCRIPTION	REV
	1001169075	Ref	TIRE AND WHEEL INSTALLATION - 33/1550 X 16.5 FOAM-FILLED (AVAILABLE ON ALL SPECS)	A
		Ref	Note: Assemblies may require ballast/foam filling to manufacturer's specifications prior to installing on a machine. Refer to Operation and Safety or Service and Maintenance Manuals. Purchase individual tire and/or rim only if able to foam fill tire and wheel assembly, otherwise, purchase complete assembly.	
1	0258011	2	Tire and Wheel Assembly (RH Side)	I
1	0258012	2	Tire and Wheel Assembly (LH Side)	I
101	4520217	4	Tire, 33/1550 x 16.5	
102	8786514	4	Valve, Stem	
103	4860179	4	Rim, Wheel	

**SECTION 1 - FRAME**

**FIGURE 1-14. FRAME COVERS INSTALLATION**

<b>ITEM</b>	<b>PART NUMBER</b>	<b>QTY</b>	<b>DESCRIPTION</b>	<b>REV</b>
	1001162105	Ref	FRAME COVERS INSTALLATION	B
1	0100011	AR	Compound, Locking	
2	5251012	6	Bolt, M10 x 25mm	
3	1001180916	4	Nut	
4	1001162107	1	Front Cover Plate, Top	
5	1001165968	1	Top Cover Plate, Flow Divider	

**SECTION 2 - TURNTABLE**

**FIGURE 2-2. MAIN VALVE ASSEMBLY**

ITEM	PART NUMBER	QTY	DESCRIPTION	REV
	1001162534	Ref	MAIN VALVE ASSEMBLY	F
1	70005069	1	Cartridge, Solenoid Less Coil (Main Dump)	
1	7022399	1	Seal Kit - 70005069 Valve	
1	70003977	1	Nut, Coil	
2	70005217	1	Cartridge, Solenoid Less Coil (Steer)	
2	70005071	1	Seal Kit - 70005217 Valve	
2	7022390	1	Nut, Coil	
3	70005094	1	Cartridge, Solenoid Less Coil (Main Lift Up)	
3	7023936	1	Seal Kit - 70005094 Valve	
3	7022390	1	Nut, Coil	
4	70005076	1	Cartridge, Solenoid Less Coil (Tower Lift Up)	
4	7022399	1	Seal Kit - 70005076 Valve	
4	7022390	1	Nut, Coil	
5	70005095	1	Cartridge, Solenoid Less Coil (Flow Control)	
5	7022399	1	Seal Kit - 70005095 Valve	
5	70003977	1	Nut, Coil	
6	70005096	1	Cartridge, Solenoid Less Coil (Swing)	
6	70005071	1	Seal Kit - 70005096 Valve	
7	70005097	1	Cartridge, Solenoid Less Coil	
7	70005082	2	Seal Kit - 70005097 Valve	
9	70005098	1	Cartridge, Relief Valve	
9	7023936	1	Seal Kit - 70005098 Valve	
10	70005080	1	Cartridge, Relief Valve	
10	7022399	1	Seal Kit - 70005080 Valve	
12	70005218	1	Cartridge, Valve	
12	70005082	1	Seal Kit - 70005218 Valve	
13	70005084	1	Cartridge, Valve	
13	70005085	1	Seal Kit - 70005084 Valve	
14	70005099	2	Cartridge, Valve	
14	70005087	2	Seal Kit - 70005099 Valve	
15	70005088	2	Cartridge, Valve	
15	7023900	2	Seal Kit - 70005088 Valve	
16	70005100	1	Cartridge, Check Valve	
16	7022399	1	Seal Kit - 70005100 Valve	
17	70005089	1	Cartridge, Check Valve	
17	7023936	1	Seal Kit - 70005089 Valve	
18	70005090	5	Cartridge, Check Valve	
18	70005092	5	Seal Kit - 70005092 Valve	
19	70002974	1	Disc, Check Valve	
24	91164059	7	Plug	
25	91164079	4	Plug	
26	91164057	2	Plug	
27	70005219	2	Coil	
28	70002386	3	Coil	
29	70003788	3	Coil	

**SECTION 2 - TURNTABLE**

**FIGURE 2-7. TURNTABLE COVERS INSTALLATION**

<b>ITEM</b>	<b>PART NUMBER</b>	<b>QTY</b>	<b>DESCRIPTION</b>	<b>REV</b>
	1001219129	Ref	TURNTABLE COVERS INSTALLATION	A
1	0100011	AR	Compound, Locking	
2	5250812	1	Bolt M8 x 25	
3	5260800	2	Nut M8	
4	1001119228	2	Nut M8	
5	1001218533	1	Cover	
6	1001218535	1	Plate, Mounting	
7	1001218537	1	Cover	
8	4060806	2 ft/0.6m	Shield, Flex	

## SECTION 2 - TURNTABLE

**FIGURE 2-12. GROUND CONTROL ASSEMBLY - AUSTRALIAN SPEC**

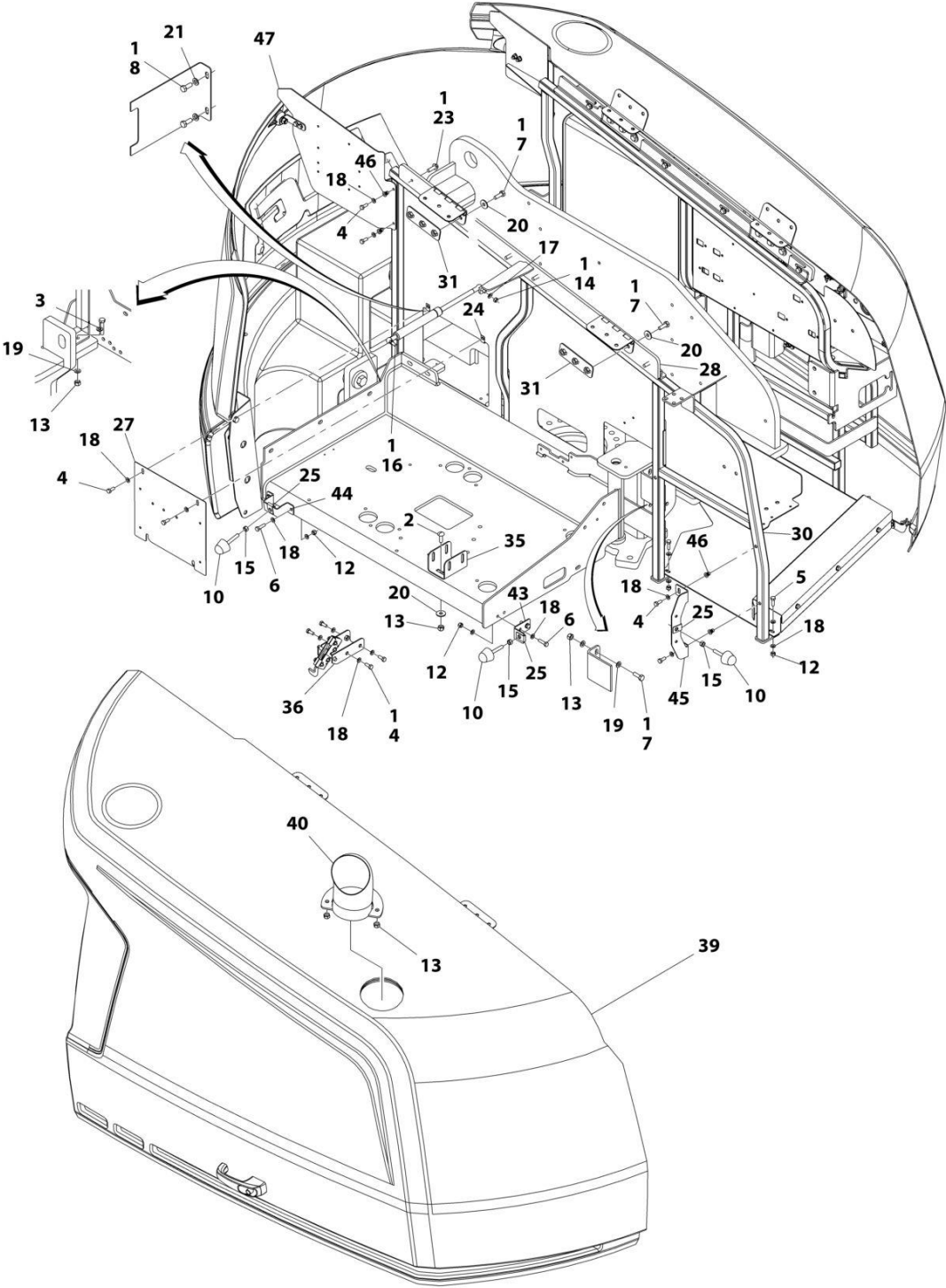
ITEM	PART NUMBER	QTY	DESCRIPTION	REV
	1001169895	Ref	GROUND CONTROL ASSEMBLY - AUSTRALIAN SPEC	E
2	1670829	1	Bezel, Front	
4	3300408	2	Nut	
5	3911018	2	Screw #10 x 1-1/8	
6	4060906	1	Guard, Switch	
7	4360328	8	Switch, Toggle	
8	4360475	1	Switch, Emergency	
8	7020175	1	Cap	
8	7020176	1	Block, Contact	
9	4360476	1	Block, Contact	
12	1001146220	1	Display, Light	
13	1001169896	1	Panel, Ground Control	
14	1001169897	1	Decal - Ground Control	
15	1001170838	1	PC Board, LED Light	
16	1001171482	1	Gauge, Display	
17	1001173529	1	Decal - Light Display	
18	3910804	3	Screw M8 x 1/4	
19	4360469	1	Switch, Key	
19	2860030	1	Key, Replacement	
20	1001151393	1	Shim .063	
21	0100011	AR	Compound, Locking	
22	0760812	2	Bolt M8 x 25	
23	4811900	2	Washer M8	
24	5250810	1	Bolt M8 x 20	
25	5260800	1	Nut M8	
26	1001118274	2	Nut M8	

## SECTION 2 - TURNTABLE

**FIGURE 2-16. BEACON LIGHT INSTALLATION - BLUE (Prior to SN E300007543)**

ITEM	PART NUMBER	QTY	DESCRIPTION	REV
	1001193216	Ref	BEACON LIGHT INSTALLATION - BLUE	G
1	0760614	2	Bolt M6 x 30	
2	3290505	AR	Nut M5	
3	3290605	4	Nut M6	
4	4010514	AR	Screw M5 x 30	
5	4811602	AR	Washer M5	
6	4811700	4	Washer M6	
7	1001100433	1	Mount, Module	
8	1001142683	1	Decal - Control	
9	1001142736	1	Beacon Harness (Not Shown - See ELECTRICAL SECTION for Breakdown)	
11	1001193061	NLA	Light, Beacon (Use p/n 1001210696 & 1001200910) <b>(Prior to SN E300003262)</b>	
11	1001200910	1	Light, Beacon <b>(SN 1300007286 through 1300007383, SN E300003262 through E300007542)</b>	
11	4460897	1	Receptacle, Female - 2 Position	
11	4460943	2	Pin, Male	
12	1001196458	1	Beacon Extension Harness (Not Shown - See ELECTRICAL SECTION for Breakdown) <b>(Prior to SN E300003882)</b>	
13	3311005	AR	Nut #10	
14	3911010	AR	Screw #10 x 5/8	
15	4711000	AR	Washer #10	
16	2540020	1	Grommet <b>(SN 1300007286 through 1300007383, SN E300003610 through E300007542)</b>	
17	4240032	3	Tie-Strap	
18	4460488	3	Terminal, Mounting	

SECTION 2 - TURNTABLE



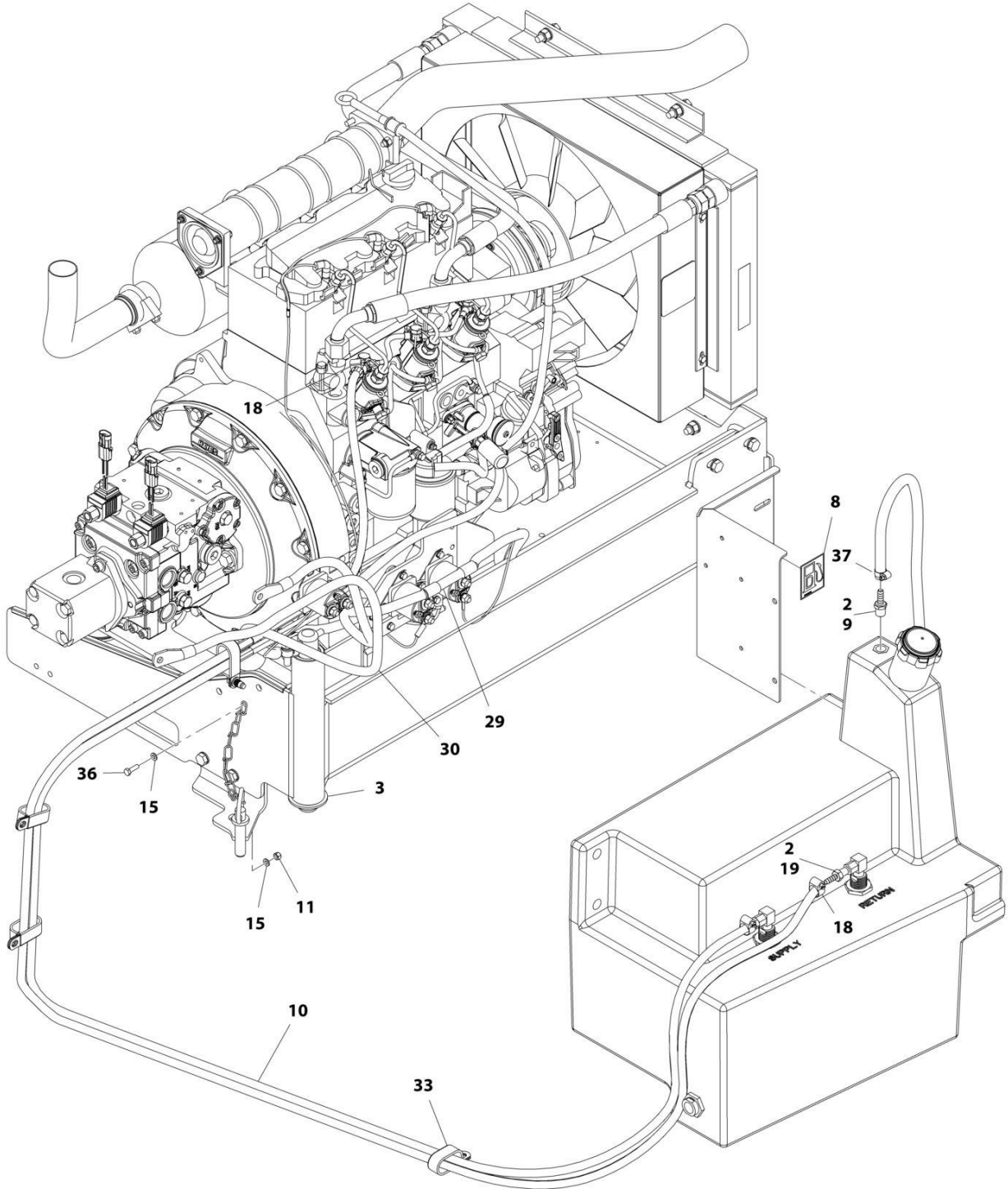
ART\_1001202450\_20F2

**SECTION 2 - TURNTABLE**

**FIGURE 2-24. HOOD ASSEMBLY - TANK SIDE (SN E300006377 to Present)**

<b>ITEM</b>	<b>PART NUMBER</b>	<b>QTY</b>	<b>DESCRIPTION</b>	<b>REV</b>
	1001241296	Ref	HOOD ASSEMBLY - TANK SIDE	A
1	0100011	AR	Compound, Locking	
2	0641410	4	Bolt 1/4 x 1-1/4	
3	0760610	2	Bolt M6 x 20	
4	0760615	1	Bolt M6 x 35	
5	2560187	1	Handle	
6	2940173	1	Latch	
7	3290601	1	Nut M6	
8	3291005	12	Nut M10	
9	4711400	4	Washer 1/4	
10	4811700	2	Washer M6	
11	1001139384	2	Hinge	
13	1001170475	1	Bracket	
14	4812000	3	Washer M10	
15	1001203322	1	Support	

# SECTION 3 - ENGINE



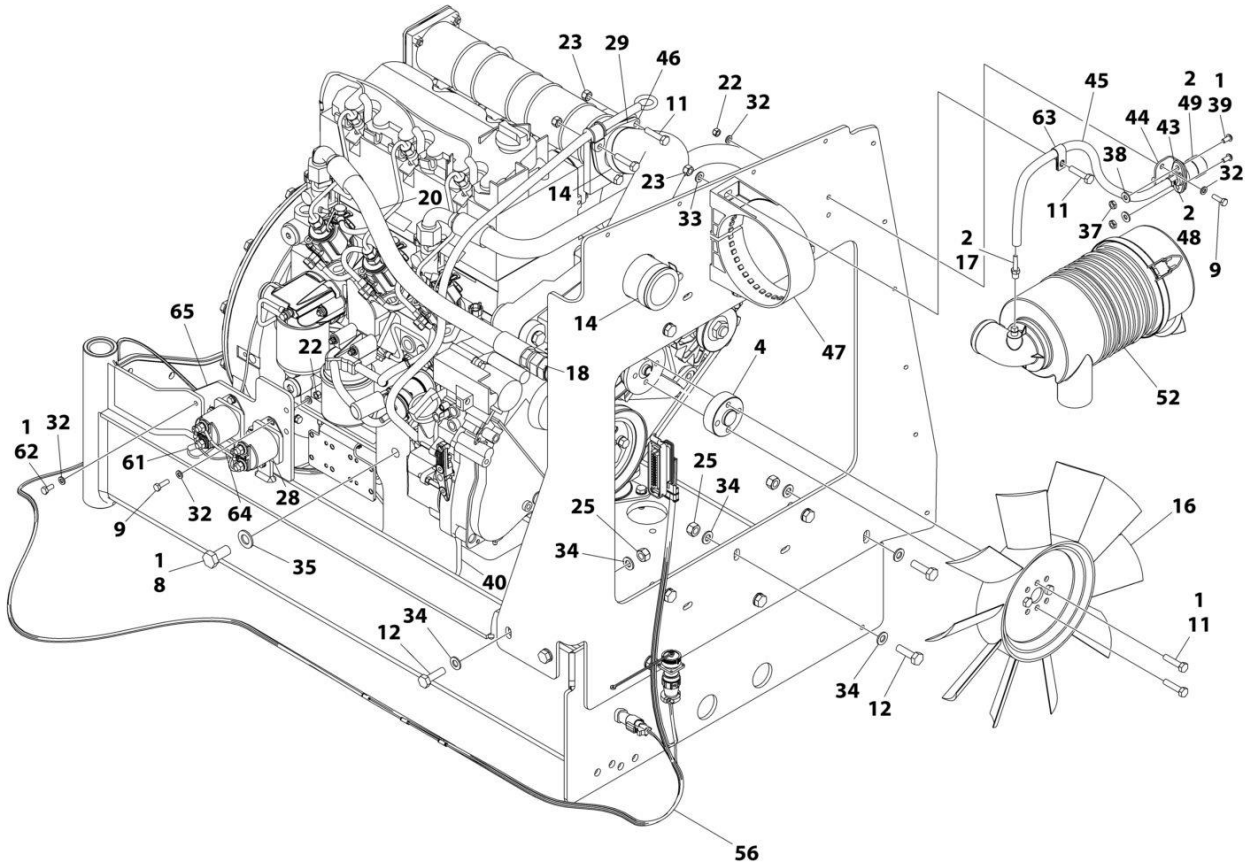
ART\_1001166305\_20F3

## SECTION 3 - ENGINE

**FIGURE 3-4. ENGINE COMPONENTS - DEUTZ D2.3L3**

ITEM	PART NUMBER	QTY	DESCRIPTION	REV
	1001170693	Ref	ENGINE COMPONENTS - DEUTZ D2.3L3	C
1	70001002	1	Tube, Dipstick	
1	7020403	1	Seal, Tube	
1	7020026	1	Dipstick	
2	70001654	1	Clamp	
2	70001655	1	Bolt	
3	70003475	1	Thermostat	
3	7020460	1	Spring	
4		Ref	Seal and Gasket Options (Not Shown):	
4	70002718	1	Seal, Rear Main	
4	7020430	1	Gasket, Valve Cover	
4	70003479	1	Gasket, Head - 1 Notch	
4	70003480	1	Gasket, Head - 2 Notch	
4	70003481	1	Gasket, Head - 3 Notch	
5	70025088	1	Plug	
6	70025667	1	Plug	
7	70025123	22	Bolt, Torx (Oil Pan Bolts) (Not Shown)	
8	7020492	1	Seal	
8	70025084	1	Plug	
9	70001870	1	Flywheel	
9	7024579	1	Ring Gear (Part of Flywheel)	
9	70025139	8	Bolt	
10	7020465	1	Cap, Oil Fill	
11	70000800	1	Timing Belt/Idler Kit (Includes Timing Belt, Tensioner and Tensioner Bolt) (Not Shown)	
12	70001850	1	Pump, Lubricating	
12	7020468	1	Seal, Pump to Engine Block (Not Shown)	
13	7016331	1	Filter, Oil	
14	70003472	1	Bracket, Oil Filter (Includes Plug with Seal, Temperature Sensor, Control Valve and Compression Spring)	
14	7027236	1	Sender, Temperature	
14	70025082	1	Seal, Plug	
14	70025091	1	Plug	
14	70003473	1	Gasket, Bracket to Engine Block (Not Shown)	
15	70001181	1	Valve	
15	70025091	1	Plug	
15	70025082	1	Seal, Plug	
16	70004268	2	Connector, Radiator Neck	
16	70004269	2	Seal, Radiator Neck to Engine Block	
17	70000912	3	Pump, Fuel Injector - A Spec	
17	70000913	3	Pump, Fuel Injector - B Spec	
17	70000914	3	Pump, Fuel Injector - C Spec	
17	70000915	3	Pump, Fuel Injector - D Spec	
17	70003464	3	O-Ring, Pump to Engine Block	
18	7020023	1	Filter, Fuel	
18	70003463	1	Filter, Fuel - RME Resistant	
18	70001423	1	Bracket, Fuel Filter	
19	70000916	1	Pump Fuel Supply	
19	70000917	1	O-Seal Between Fuel Pump and Engine Block	
19	70000918	1	Sealing Ring Between Hand Pump and Supply Pump	

# SECTION 3 - ENGINE



ART\_1001235462\_C\_2OF2

## SECTION 3 - ENGINE

**FIGURE 3-10. GEAR PUMP ASSEMBLY (Prior to SN E300004772)**

ITEM	PART NUMBER	QTY	DESCRIPTION	REV
	3600242	Ref	GEAR PUMP ASSEMBLY (Prior to SN E300004772)	
1	7010105	2	Bearing/Bushing	
2	See Note	NSS	Housing (Note: Not Available - Purchase Complete Assembly)	
3	See Note	NSS	Flange (Note: Not Available - Purchase Complete Assembly)	
4	7010103	1	Cover	
5	7012987	1	Gear, Drive	
6	7012988	1	Gear, Idler	
7	7007489	2	Ring, Anti-Extrusion	
8	7007489	2	Seal	
9	See Note	4	Bolt (Note: Not Available for Purchase)	
10	7010104	1	Ring, Retaining	
11	See Note	4	Pin, Dowel (Note: Not Available for Purchase)	
12	7007489	2	Seal, O-Ring	
13	7007489	1	Seal, Shaft	
51	7007489	1	Seal Kit (Includes Items 7, 8, 12 & 13)	

## SECTION 3 - ENGINE

### FIGURE 3-14. ENGINE BAFFLE INSTALLATION

ITEM	PART NUMBER	QTY	DESCRIPTION	REV
	1001172265	Ref	ENGINE BAFFLE INSTALLATION	B
1	0760610	17	Bolt, M6 X 20mm	
2	0760812	2	Bolt, M8 X 25mm	
3	3290605	17	Nut, Lock M6 X 1	
4	3290805	2	Nut, Lock M8 X 1.25	
5	4811702	1	Washer, M6	
6	1001167164	8	Plate, Support	
7	1001170663	1	Bracket	
8	1001170664	1	Seal	
9	1001172264	1	Seal	

**SECTION 4 - BOOM**

## SECTION 4 - BOOM

### FIGURE 4-5. TOWER BOOM ASSEMBLY

ITEM	PART NUMBER	QTY	DESCRIPTION	REV
	1001180006	Ref	TOWER BOOM ASSEMBLY	B
1	0100011	AR	Compound, Locking	
2	0701015	2	Bolt, M10 x 35mm	
3	0701027	1	Bolt, M10 x 100mm	
4	0701616	2	Bolt, M16 x 40mm	
5	0761212	4	Bolt, M12 x 25mm	
6	0761227	2	Bolt, M12 x 100mm	
7	0761615	5	Bolt, M16 x 35mm	
8	0762016	1	Bolt, M20 x 40mm	
9	0940048	1	Bumper	
10	0961948	2	Bearing	
11	3291005	1	Nut, Lock M10 x 1.5	
12	3291205	2	Nut, Lock M12 x 1.75	
13	3841203	2	Keeper, Pin	
14	3841258	7	Keeper, Pin	
15	3841287	1	Keeper, Pin	
16	4812000	4	Washer, M10	
17	4812100	4	Washer, M12	
18	1001160859	1	Link, Lower Tower Boom	
19	1001160872	1	Link, Upper Tower Boom	
20	1001166096	1	Link, Timing	
21	1001166853	1	Upright, Lower	
22	1001169240	2	Pin	
23	1001169241	1	Pin	
24	1001169242	2	Pin	
25	1001169249	2	Pin	
26	1001169295	1	Pin	
27	1001169296	1	Pin	
28	1001169297	2	Pin	
29	1001169298	2	Pin	
30	1001169299	2	Bearing	
31	1001169300	2	Bearing	
32	1001169301	2	Bearing	
33	1001169302	14	Bearing	
34	1001174065	1	Upright, Upper	
35	1001178133	1	Tower Boom (Lower)	
36	1001178135	1	Tower, Boom (Upper)	
37	1001180056	1	Pad, Wear	
38	1001227993	1	Tower Boom Kit (Not Shown – Includes Items 18, 19, 35 & 36)	

## SECTION 4 - BOOM

**FIGURE 4-9. PLATFORM SUPPORT INSTALLATION - WITH 4 CELL LSS (SN 1300007286 through 1300007383, SN E300002782 to Present)**

ITEM	PART NUMBER	QTY	DESCRIPTION	REV
	1001197036	Ref	PLATFORM SUPPORT INSTALLATION - WITH 4 CELL LSS (SN 1300007286 through 1300007383, SN E300002782 to Present)	F
1	0100011	AR	Compound, Locking	
2	0100048	AR	Silicon, Compound (Not Shown)	
3	0641405	6	Bolt 1/4 x 5/8	
4	0641407	1	Bolt 1/4 x 7/8	
5	0641416	3	Bolt 1/4 x 2	
6	0641822	8	Bolt 1/2 x 2-3/4	
7	0642024	4	Bolt 5/8 x 3	
8	0642684	1	Bolt 1/8 x 10-1/2	
9	0681608	8	Bolt 3/8 x 1	
10	0902919	2	Bracket, LH	
11	0902920	2	Bracket, RH	
12	0962450	4	Bushing, Spacer	
13	1271538	2	Channel, Load Cell Wire	
14	1320136	6	Clamp, Cable	
15	1320224	2	Clamp, Cable	
16	1600387	1	Controller, Load Sense	
17	2420202	4	Gauge	
18	2540038	1	Grommet	
20	3272605	1	Nut 1	
21	3311405	10	Nut 1/4	
22	3311805	8	Nut 1/2	
23	3312005	4	Nut 5/8	
24	3900283	4	Screw 3/8 x 3/4	
25	4061054	2	Shield	
26	4240033	AR	Tie-Strap (Not Shown)	
27	4711400	13	Washer 1/4	
28	4711600	4	Washer 3/8	
29	4751400	1	Washer 1/4	
30	4846573	1	Weldment	
31	4891600	8	Washer 3/8	
32	4891800	8	Washer 1/2	
33	4892000	4	Washer 5/8	
34	4892600	1	Washer 1	
35	1001113483	1	Bracket	
36	1001120371	1	LSS Harness (Not Shown - See ELECTRICAL SECTION for Breakdown)	
37	4460428	1	Connector, Strain Relief (Not Shown)	
38	1001216630	2	Decal - Tie Down/No Lift	

**SECTION 5 - PLATFORM**

## SECTION 5 - PLATFORM

**FIGURE 5-5. PLATFORM ASSEMBLY - 30IN X 4FT (76CM X 1.22M) - WITH DROP BAR**

ITEM	PART NUMBER	QTY	DESCRIPTION	REV
	1001188318	Ref	PLATFORM ASSEMBLY - 30IN X 4FT (76CM X 1.22M) - WITH DROP BAR	B
	See Note	Ref	Note: Platform and Mesh must be ordered separately for Platforms with Mesh. See SPECIAL OPTIONS SECTION for Mesh Installations.	
	See Note	Ref	Note: Replacement Decals Must be Ordered Separately - See DECALS SECTION.	
1	0100011	AR	Compound, Locking	
2	0641418	2	Bolt, 1/4-20 x 2-1/4	
3	0961845	2	Bushing	
4	3290606	2	Nut, M6 x 1	
5	3300151	2	Nut, Acorn 1/4-20	
6	4010618	2	Screw, M6 x 50mm	
7	4711400	4	Washer, 1/4	
8	4811700	2	Washer, M6	
9	1001138494	1	Bar, Drop	
10	1001138514	1	Rail (Top)	
11	1001140429	1	Decal - Drop Bar	
12	1001145781	4	Cap, Plug	
13	See Note	1	Platform, Weldment (Note: Not Available - Purchase Platform Assembly)	

CLICK HERE TO **DOWNLOAD** THE COMPLETE MANUAL

- Thank you very much for reading the preview of the manual.
- You can download the complete manual from: [www.heydownloads.com](http://www.heydownloads.com) by clicking the link below



- Please note: If there is no response to CLICKING the link, please download this PDF first and then click on it.

CLICK HERE TO **DOWNLOAD** THE COMPLETE MANUAL

## SECTION 5 - PLATFORM

**FIGURE 5-10. CONSOLE BOX INSTALLATION - WITH SKYGUARD (SN E3000007543 to Present)**

ITEM	PART NUMBER	QTY	DESCRIPTION	REV
	1001242842	Ref	CONSOLE BOX INSTALLATION - 450AJ WITH SKYGUARD	A
1	0641406	4	Bolt 1/4 x 3/4	
2	0641408	3	Bolt 1/4 x 1	
3	0641610	4	Bolt 3/8 x 1-1/4	
4	3311405	7	Nut Lock 1/4	
5	3311605	4	Nut Lock 3/8	
6	3380434	1	Panel, Decal Mount	
7	4751600	8	Washer 3/8	
8	4740362	7	Washer 1/4	
9	4751400	4	Washer 1/4	
10	1001164728	1	Harness, Platform Valve (Not Shown - See ELECTRICAL SECTION for Breakdown)	
11	1001242847	1	Platform Console Box Assembly (See PLATFORM CONSOLE BOX ASSEMBLY - WITH SKYGUARD for Breakdown)	

## SECTION 5 - PLATFORM

**FIGURE 5-13. PLATFORM CONSOLE BOX ASSEMBLY - WITH SKYGUARD (Prior to SN E300003610)**

ITEM	PART NUMBER	QTY	DESCRIPTION	REV
	1001195444	Ref	PLATFORM CONSOLE BOX ASSEMBLY - WITH SKYGUARD <b>(Prior to SN E300003610)</b>	E
1	0100009	AR	Sealant	
2	0100048	AR	Grease, Dielectric	
3	0100081	AR	Adhesive	
4	0140011	1	Alarm	
5	0641405	4	Bolt, 1/4-20 x 5/8	
6	0641414	4	Bolt, 1/4-20 x 1-3/4	
7	1001172760	4	Bracket	
8	1670829	1	Bezel	
9	1702565	1	Decal - Drive and Steer	
10	1702566	1	Decal - Lift and Swing	
11	1702567	1	Decal - Function Speed	
12	1704260	1	Decal - EMS	
13	2560136	1	Handle, Knob	
14	3300353	4	Nut, Tinnerman	
15	3300408	2	Nut, Lock	
18	3520054	4	Plug	
19	3790012	8	O-Ring	
20	3911018	2	Screw, 10-24 x 1-1/8	
21	4240099	AR	Tie-Strap (Not Shown)	
22	4360387	2	Switch, Pushbutton	
23	4360407	1	Switch, Potentiometer	
24	4360475	1	Switch, Emergency	
24	7020175	1	Cap, Red	
24	7020176	1	Contact Block	
25	4360476	1	Block, Contact	
26	4460234	4	Terminal	
27	4460428	2	Connector, Strain Relief	
28	4460470	1	Nut, Terminal	
29	4460471	1	Washer, Lock	
30	4751400	8	Washer, 1/4	
31	1001110434	1	Plug	
32	1001117174	1	Footswitch Assembly (See FOOTSWITCH ASSEMBLY for Breakdown)	
33	1001118412	1	Controller, Module (Note: Re-calibration Required when Replaced)	
34	1001146220	1	Housing, Display Light	
35	1001155044	8	Nut, Special 15/32-32	
36	1001155045	6	Switch, Toggle	
37	1001159256	1	Switch, Toggle	
38	1001161709	1	Switch, Toggle	
39	1001164353	1	Harness, Platform Console Box (See ELECTRICAL SECTION for Breakdown)	
40	1001164728	1	Harness, Platform Valve (See ELECTRICAL SECTION for Breakdown) <b>(Prior to SN E300003015)</b>	
41	1001166538	NLA	Controller Assembly (Drive and Steer) (Use p/n 1001212415) (See CONTROLLER ASSEMBLY (DRIVE AND STEER) for Breakdown)	
42	1001166539	NLA	Controller Assembly (Lift and Swing) (See CONTROLLER ASSEMBLY (LIFT AND SWING) for Breakdown) (Note: Use p/n 1001129555 as Replacement)	
43	1001170446	1	Decal - Platform Display	



## SECTION 5 - PLATFORM

### FIGURE 5-19. TRAY ASSEMBLY

ITEM	PART NUMBER	QTY	DESCRIPTION	REV
	1580012	Ref	TRAY ASSEMBLY	C
1	See Note	1	Tray, Storage - Center (Note: Purchase p/n 1580012)	
2	0641406	2	Bolt, 1/4-20 x 3/4	
3	4751400	2	Washer, 1/4	
4	4761400	2	Washer, Locking, 1/4	

## SECTION 5 - PLATFORM

### FIGURE 5-24. CROSS RAIL INSTALLATION

ITEM	PART NUMBER	QTY	DESCRIPTION	REV
	1001182138	Ref	CROSS RAIL INSTALLATION	A
1	0100071	AR	Compound, Locking	
2	0641414	2	Bolt 1/4 X 1-3/4	
3	3300430	2	Nut 1/4	
4	3520182	2	Plug	
5	4711400	2	Washer 1/4	
6	4751400	4	Washer 1/4	
7	1001191708	1	Bar	

**SECTION 6 - CYLINDER**

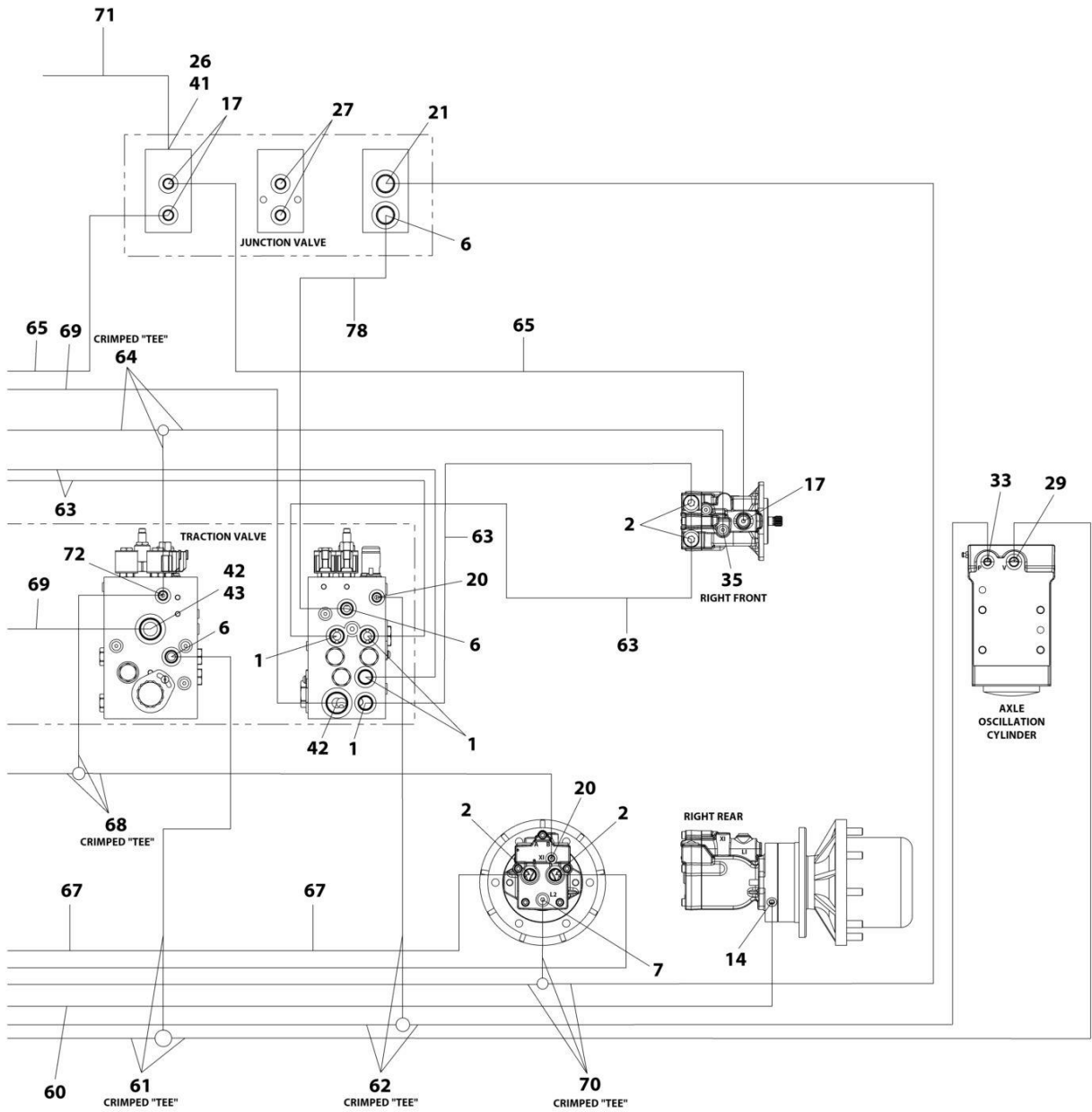
## SECTION 6 - CYLINDER

**FIGURE 6-5. LIFT CYLINDER ASSEMBLY - MAIN BOOM (SN 1300007286 through 1300007383, SN E300004512 to Present)**

ITEM	PART NUMBER	QTY	DESCRIPTION	REV
	1001217681	Ref	LIFT CYLINDER ASSEMBLY - MAIN BOOM (SN E300004512 to Present, SN 1300007286 through 1300007383)	B
2	70004969	1	Seal Kit - 1001217681 Cylinder	
3	See Note	NSS	Barrel (Note: Not Available for Purchase)	
4	70004967	1	Rod Assembly (Includes Item 2)	
5	2180736	1	Orifice	
6	2220883	3	Plug #4	
7	4641390	1	Cartridge, Check Valve	
7	7017496	1	Seal Kit - 4641390 Valve	
8	See Note	NSS	Plug (Note: Not Available for Purchase)	
9	1001164709	1	Cartridge, Solenoid Valve (Includes Coil)	
9	7012967	1	Cartridge, Solenoid Valve Less Coil	
9	7012998	1	Seal Kit - 1001164709 & 7017467 Valves	
9	70002386	1	Coil	
10	1001206625	1	Cartridge, Compensator Valve	
10	70006104	1	Cartridge, Solenoid Valve Less Coil	
10	70006105	1	Seal Kit - 70006104 Valve	
10	70003788	1	Coil	
10	7022390	1	Coil Nut	
11	0961948	4	Bushing	

**SECTION 7 - HYDRAULIC**

# SECTION 7 - HYDRAULIC



ART\_1001207356\_4OF4

## SECTION 8 - ELECTRICAL

**FIGURE 8-3. AC BOX AT PLATFORM INSTALLATION - 110V IEC YELLOW (CE SPEC) (Prior to SN E300003512)**

ITEM	PART NUMBER	QTY	DESCRIPTION	REV
	0275681	Ref	AC BOX AT PLATFORM INSTALLATION - 110V IEC YELLOW (CE SPEC) <b>(Prior to SN E300003512)</b>	B
		Ref	Note: For Machines equipped with 4000W Generator, see SPECIAL OPTIONS SECTION.	
1	0275216	1	Receptacle Box Kit (See RECEPTACLE BOX KIT - 110V IEC YELLOW (CE SPEC) for Breakdown)	
2	0641407	4	Bolt, 1/4 x 7/8	
3	0641416	2	Bolt, 1/4 x 2	
4	0700408	2	Bolt, M4 x 16	
5	0903484	1	Bracket	
6	0903612	1	Bracket	
7	1705325	2	Decal - 120V - 50 Hz	
8	2902549	1	Breaker Box Kit - CE Spec (See BREAKER BOX KIT - CE SPEC for Breakdown)	
9	3290405	2	Nut M4	
10	3311405	6	Nut 1/4	
11	4460968	1	Connector, Strain Relief	
12	4711400	8	Washer 1/4	
13	4751400	4	Washer 1/4	
14	4811400	4	Washer M4	
15	4460709	1	Plug, Male	
16	4460710	1	Receptacle, Female	

## SECTION 8 - ELECTRICAL

**FIGURE 8-8. AC BOX AT PLATFORM INSTALLATION - 220V CEE7 SIDE GROUND WITH 70MM X 70MM BOX (CE SPEC) (Prior to SN E300002764)**

ITEM	PART NUMBER	QTY	DESCRIPTION	REV
	0275684	Ref	AC BOX AT PLATFORM INSTALLATION - 220V CEE7 SIDE GROUND WITH 70MM X 70MM BOX (CE SPEC) <b>(Prior to SN E300002764)</b>	B
		Ref	Note: For Machines equipped with 4000W Generator, see SPECIAL OPTIONS SECTION.	
1	0275219	1	Receptacle Box Kit (See RECEPTACLE BOX KIT- 220V CEE7 SIDE GROUND WITH 70MM X 70MM BOX (CE SPEC) for Breakdown)	
2	0641407	4	Bolt, 1/4 x 7/8	
3	0641416	2	Bolt, 1/4 x 2	
4	0700408	2	Bolt, M4 x 16	
5	0903484	1	Bracket	
6	0903612	1	Bracket	
7	2902549	1	Breaker Box Kit - CE Spec (See BREAKER BOX KIT - CE SPEC for Breakdown)	
8	3252507	2	Decal - Voltage	
9	3290405	2	Nut M4	
10	3311405	6	Nut 1/4	
11	4460968	1	Connector, Strain Relief	
12	4711400	8	Washer 1/4	
13	4751400	4	Washer 1/4	
14	4811400	4	Washer M4	
15	4460709	1	Plug, Male	
16	4460710	1	Receptacle, Female	

## SECTION 8 - ELECTRICAL

**FIGURE 8-13. AC BOX AT PLATFORM INSTALLATION - 220V CEE7 SIDE GROUND WITH 2IN X 4IN BOX (CE SPEC) (SN E300002764 through E300003511)**

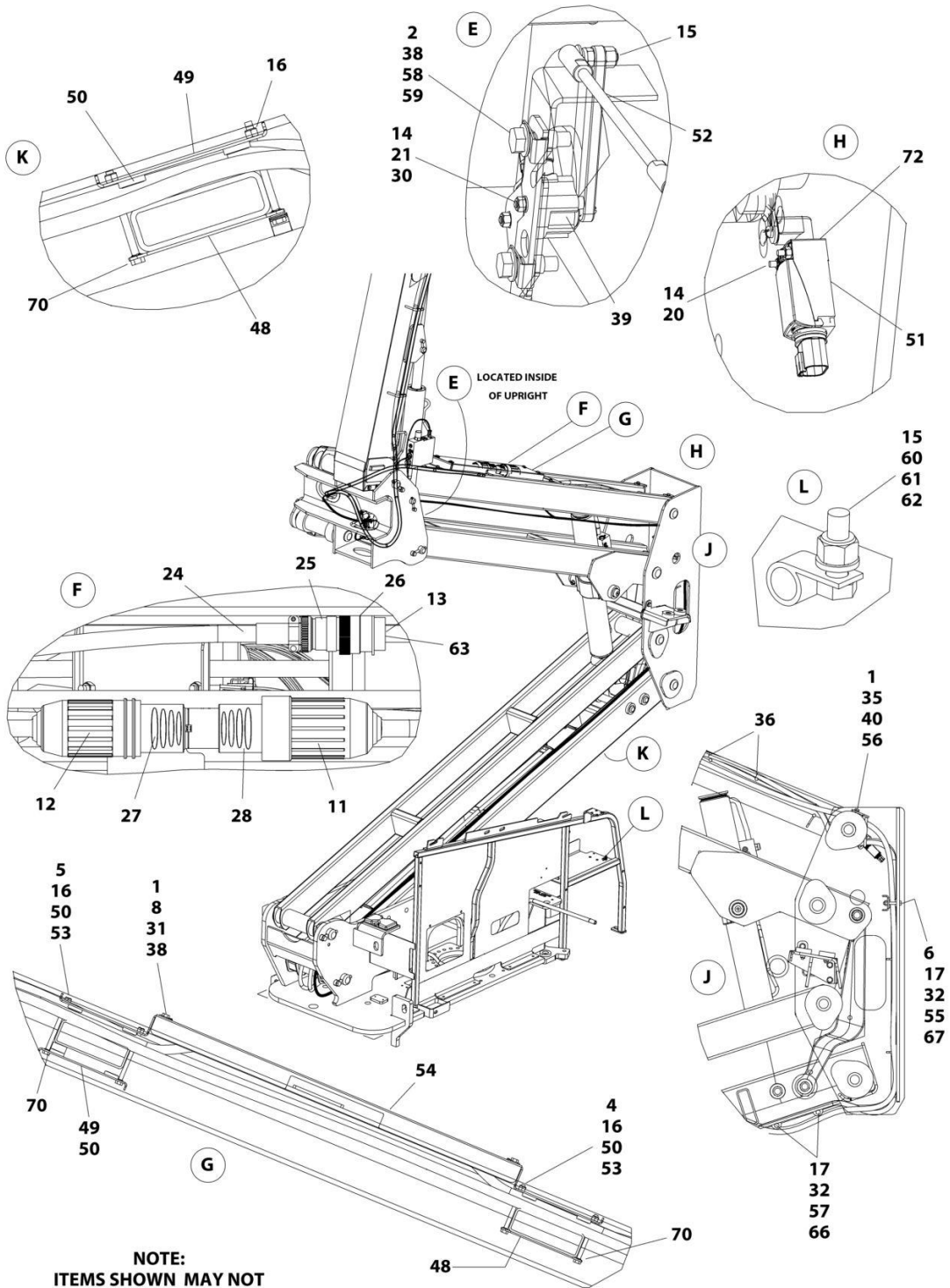
ITEM	PART NUMBER	QTY	DESCRIPTION	REV
	1001162451	Ref	AC BOX AT PLATFORM INSTALLATION - 220V CEE7 SIDE GROUND WITH 2IN X 4IN BOX (CE SPEC) <b>(SN E300002764 through E300003511)</b>	B
		Ref	Note: For Machines equipped with 4000W Generator, see SPECIAL OPTIONS SECTION.	
1	0275453	1	Receptacle Box Kit (See RECEPTACLE BOX KIT- 220V CEE7 SIDE GROUND WITH 2IN X 4IN BOX (CE SPEC) for Breakdown)	
2	0641407	4	Bolt, 1/4 x 7/8	
3	0641416	2	Bolt, 1/4 x 2	
4	0700408	4	Bolt, M4 x 16	
5	0903484	1	Bracket	
6	1001162445	1	Bracket	
7	1001152485	1	Breaker Box Kit - CE Spec (See BREAKER BOX KIT WITH THREE BREAKERS - CE SPEC for Breakdown)	
8	3252507	2	Decal - Voltage	
9	3290405	4	Nut M4	
10	3311405	6	Nut 1/4	
11	4460968	1	Connector, Strain Relief	
11	4460662	1	Connector, Strain Relief	
12	4711400	8	Washer 1/4	
13	4751400	4	Washer 1/4	
14	4811400	8	Washer M4	
15	4460709	1	Plug, Male	
16	4460710	1	Receptacle, Female	

## SECTION 8 - ELECTRICAL

**FIGURE 8-18. AC CABLE INSTALLATION – WITH TWO BREAKERS (CE SPECS) (SN 1300007286 through 1300007383, SN E300003512 to Present)**

ITEM	PART NUMBER	QTY	DESCRIPTION	REV
	1001167312	Ref	AC CABLE INSTALLATION – WITH TWO BREAKERS (CE SPECS) (SN 1300007286 through 1300007383, SN E300003512 to Present)	F
3	2902549	1	Breaker Box Kit - CE Spec (See BREAKER BOX KIT WITH TWO BREAKERS - CE SPEC for Breakdown)	
4	3290405	2	Nut M4	
4	3290605	2	Nut M6	
6	4010405	2	Screw M4 x 10	
6	0760614	2	Screw M6 x 30	
8	1001091102	2	Washer M4	
8	4811700	4	Washer M6	
9	1001174158	1	Bracket	
10	2080040	2	Fastener, Huck	

# SECTION 8 - ELECTRICAL



**NOTE:**  
 ITEMS SHOWN MAY NOT  
 BE REQUIRED FOR ALL SPECS.  
 REFER TO PARTS LIST  
 FOR USAGE.

ART\_1001179778\_20F2

## SECTION 8 - ELECTRICAL

**FIGURE 8-27. BOOM HARNESS - TOWER BOOM AC CABLE**

ITEM	PART NUMBER	QTY	DESCRIPTION	REV
	1001174749	Ref	BOOM HARNESS - TOWER BOOM AC CABLE	C
1	1001120205	1	Connector, Female	
2	1060461	28 ft/8.5m	Electrical Cable, 12/3	

## SECTION 8 - ELECTRICAL

**FIGURE 8-32. ENGINE HARNESS - DEUTZ D2.3L3**

ITEM	PART NUMBER	QTY	DESCRIPTION	REV
	1001167111	Ref	ENGINE HARNESS - DEUTZ D2.3L3	B
1	4461052	1	Connector - 25 Position	
1	4461005	7	Terminal	
1	4461008	18	Plug, Terminal	
2	2902443	1	Receptacle Kit	
2	4461071	8	Socket, Female	
2	4461072	1	Receptacle with Flange - 8 Position	
2	4461073	1	Cap, Dust	
2	4461074	1	Shell, Black	
3	4460313	3	Terminal, Ring	
4	4460930	1	Plug, Male - 8 Position	
4	4460465	2	Socket, Female	
4	4460466	6	Seal, Terminal	
5	4461095	1	Plug, Male - 3 Position	
5	4460465	3	Socket, Female	
6	4460894	1	Plug, Male - 6 Position	
6	4460465	6	Socket, Female	

## SECTION 8 - ELECTRICAL

### FIGURE 8-37. PLATFORM INTERFACE HARNESS

ITEM	PART NUMBER	QTY	DESCRIPTION	REV
	1001225580	Ref	INTERFACE HARNESS - WITH 1 CELL LSS	D
1	4460899	1	Connector	
2	4460464	4	Terminal	
3	4460466	2	Plug	
4	1001186432	2	Connector	
5	1001116720	4	Terminal	
6	1001118388	4	Terminal	
7	4460884	1	Connector	
8	4460465	4	Terminal	

## SECTION 8 - ELECTRICAL

**FIGURE 8-42. RECEPTACLE BOX KIT - 220V CEE7 POST GROUND 70MMX70MM (CE SPEC)**

ITEM	PART NUMBER	QTY	DESCRIPTION	REV
	0275218	Ref	RECEPTACLE BOX KIT - 220V CEE7 POST GROUND 70MMX70MM (CE SPEC)	B
1	1001141967	1	Box, Switch	
2	1001141968	1	Receptacle	
3	4461202	1	Plug, Male	
4	1001141971	1	Plug and Socket Kit (Includes Items 1-3 and Female Plug p/n 4461206)	

## SECTION 8 - ELECTRICAL

### FIGURE 8-47. SKYEYE EMITTER HARNESS

ITEM	PART NUMBER	QTY	DESCRIPTION	REV
	1001237864	Ref	SKYEYE EMITTER HARNESS	A
2	2820247	AR	Tubing, Heat Shrink	
3	4460910	1	Connector - 3 Position	
3	1001119620	3	Pin, Male	
6	1001227996	1	Grommet	
7	1001237862	1	Cable, M8 Female Cordset	

## SECTION 8 - ELECTRICAL

### FIGURE 8-51. VALVE HARNESS - MAIN VALVE

ITEM	PART NUMBER	QTY	DESCRIPTION	REV
	1001164736	Ref	VALVE HARNESS - MAIN VALVE	E
1	4460539	1	Plug, Male - 3 Position	
1	4460465	3	Socket, Female	
2	4460899	1	Receptacle, Female - 6 Position	
2	4460464	5	Pin, Male	
2	4460466	1	Plug, Terminal	
3	4460872	1	Connector - 13 Position	
3	4460871	9	Socket, Female	
3	4460905	4	Plug, Terminal	
4	4460891	9	Plug, Male - 2 Position	
4	4460465	18	Socket, Female	
5	4460875	1	Connector - 35 Position	
5	4460871	25	Socket, Female	
5	4460905	10	Plug, Terminal	
6	4460424	1	Plug, Male - 2 Position	
6	4460268	2	Socket, Female	
7	4460754	1	Connector - 14 Position	
7	4460465	13	Socket, Female	
7	4460466	1	Plug, Terminal	

**SECTION 9 - DECAL**

**FIGURE 9-3. DECAL INSTALLATION - OPTIONS**

ITEM	PART NUMBER	QTY	DESCRIPTION	REV
	1001169157	Ref	DECAL INSTALLATION - REFERENCE CHART	N
	1001166193	Ref	DECAL INSTALLATION - OPTIONS	
120	1001188883	1	Warning Strip Installation (Not Shown)	
120	4420051	21.5 ft /6.6m	Tape, Safety	
173	1001173076	Ref	Decal - Model Designation (Not Shown)	C
173A	1001172800	2	Decal - 520AJ	
173B	1001195746	2	Decal - Max Tire Load	
205	See Note	1	Nameplate - Serial Number (Note: Not Available for Purchase)	
215	1001166085	Ref	Decal Installation - JLG Logo (Not Shown)	C
215A	1702774	1	Decal - JLG Lift	
215B	1702773	1	Decal - JLG	
215C	1702860	1	Decal - JLG Lift	
226	1706098	1	Decal - Warning Explosion/Fire (Not Shown)	
262A	1001141300	1	Decal - SkyGuard Override	
262B	1001141302	1	Decal - SkyGuard/Soft Touch Override	
274	1001214029	1	Decal - EAC Installation (CIS and Russia Specs)	
274A	1001173703	1	Decal - EAC	

## SECTION 11 - SPECIAL OPTIONS

ITEM	PART NUMBER	QTY	DESCRIPTION	REV
			ANSI Export, CSA and CE Specs)	
		Ref	ClearSky Telematics (Factory Installed)	
	1001175029	Ref	ClearSky (Telematics) Installation (Factory Installed) (Australian Spec) Note: Refer to Manual Supplement p/n 3128499 for available replacement parts. <b>(Prior to SN E300004911)</b>	
	1001175027	Ref	ClearSky (Telematics) Installation (Factory Installed) (Brazil & New Zealand Specs) Note: Refer to Manual Supplement p/n 3128499 for available replacement parts. <b>(Prior to SN E300004911)</b>	
	1001228960	Ref	ClearSky (Telematics) Installation (Factory Installed) Canbus Connection (CE Specs) <b>(SN 1300007286 through 1300007383, SN E300004912 to Present)</b>	
	1001246433	Ref	ClearSky (Telematics) Installation (Factory Installed) Canbus Connection (Australian Specs)	
	1001233237	Ref	ClearSky (Telematics) Installation (Factory Installed) 3-Wire Connection (CE Specs) <b>(SN 1300007286 through 1300007383, SN E300004912 to Present)</b>	
	1001174767	Ref	Cold Weather Package - Deutz D2.3L3 Engines	
	1001204481	Ref	Combined Filter Kit – Deutz D2.3L3 Engine (Air/Engine Oil/Fuel/Hydraulic/Air)	
	0272031	Ref	Container/Transport Wheels Installation - 33/1550 x 16.5 Tires	
	1001196012	Ref	Cylinder Bellows Installation	
	1001127096	Ref	Decal - ClearSky	
	1001200131	Ref	Decal - Quick Start Reference (Loxam Rental) (Danish Spec)	
	1001200129	Ref	Decal - Quick Start Reference (Loxam Rental) (Dutch Spec)	
	1001181145	Ref	Decal - Quick Start Reference (Loxam Rental) (English Spec)	
	1001200128	Ref	Decal - Quick Start Reference (Loxam Rental) (French Spec)	
	1001200130	Ref	Decal - Quick Start Reference (Loxam Rental) (German Spec)	
	1001200134	Ref	Decal - Quick Start Reference (Loxam Rental) (Norwegian Spec)	
	1001200133	Ref	Decal - Quick Start Reference (Loxam Rental) (Spanish Spec)	
	1001200132	Ref	Decal - Quick Start Reference (Loxam Rental) (Swedish Spec)	
	1001188883	Ref	Decal - Warning Stripes	
	1001148902	Ref	Electrical Connector Kit - Amp/Tyco Electrical Connectors	
	1001148903	Ref	Electrical Connector Kit - Deutsch DT Electrical Connectors	
	1001148904	Ref	Electrical Connector Kit - Deutsch HD Electrical Connectors	
	1001148905	Ref	Electrical Connector Kit - Packard Electrical Connectors	
	1001148906	Ref	Electrical Connector Kit - Various Electrical Connectors	
	1001246867	Ref	Enhanced Detection System (EDS) Level 1 (2-Bar) Installation Kit	
	1001246860	Ref	Enhanced Detection System (EDS) Level 2 (3-Bar) Installation Kit	
	1001243331	Ref	Fan Guard Installation	
		Ref	Filter Kits:	
	1001225794	Ref	Combined Filter Kit (Hydraulic/Air and Fuel/Engine Oil) (Deutz D2.3L3 Engine Only)	
	1001202749	Ref	Fuel Cap Cover (Black)	
	1001220003	Ref	Ground Control and UGM Covers Kit	
		Ref	Hydraulic Fluids	
	2300014	Ref	Mobil 424	
	2300016	Ref	Mobil DTE 10 EXCEL 32	
	2300019	Ref	Quintolubric (Fire Resistant)	
	2300027	Ref	Mobil 224H Bio	
	2300029	Ref	Mobil EAL ISO 46 Bio	
	1001169831	Ref	Hostile Environment Package (Includes Cylinder Bellows, Platform Console Cover & Boom Wiper)	
	1001172001	Ref	Lights Installation - Headlights & Taillights	

CLICK HERE TO **DOWNLOAD** THE COMPLETE MANUAL

- Thank you very much for reading the preview of the manual.
- You can download the complete manual from: [www.heydownloads.com](http://www.heydownloads.com) by clicking the link below



- Please note: If there is no response to CLICKING the link, please download this PDF first and then click on it.

CLICK HERE TO **DOWNLOAD** THE COMPLETE MANUAL