



ILLUSTRATED PARTS

Models 40HT

3120244

July 31, 1990



AUSTRALIAN OFFICE

JLG INDUSTRIES, INC.
P.O. Box 5119
11 Bolwarra Road
Port Macquarie, Australia
Telephone: 065 811111
Fax: 065 810122

EUROPEAN OFFICE

JLG INDUSTRIES (EUROPE)
Kilmartin Place,
Tannochside Park
Uddingston, Scotland, G71 5PH
Telephone: 01698 811005
Main Fax: 01698 811055
Parts Fax: 01698 811455

CORPORATE OFFICE

JLG INDUSTRIES, INC.
1 JLG Drive
McConnellsburg, PA.
17233-9533
USA
Telephone: (717) 485-5161
Fax: (717) 485-6417

CLICK HERE TO **DOWNLOAD** THE COMPLETE MANUAL

- Thank you very much for reading the preview of the manual.
- You can download the complete manual from: www.heydownloads.com by clicking the link below



- Please note: If there is no response to CLICKING the link, please download this PDF first and then click on it.

CLICK HERE TO **DOWNLOAD** THE COMPLETE MANUAL

SECTION 2 — ILLUSTRATED PARTS LIST

FIGURE & INDEX NO.	PART NUMBER	ITEMS & DESCRIPTION	QTY.	
2-1		BOOM, TURNTABLE AND HORIZONTAL CUTOUT SWITCH INSTALLATIONS	Ref.	
	0236200	BOOM INSTALLATION (2 SECTION) (GAS AND DIESEL)	Ref.	O
	0237594	BOOM INSTALLATION (2 SECTION) (ELECTRIC)	Ref.	B
	0236530	BOOM INSTALLATION (3 SECTION)	Ref.	H
-1	0800379	Boom Assembly (2 Section) (See Figure 2-2 For Breakdown)	1	
	0800400	Boom Assembly (3 Section) (See Figure 2-4 For Breakdown)	1	
-2	3420643	Pin, Boom Pivot (Attaching Parts)	1	
-3	1120198	Cap, Boom Pivot	2	
-4	0681812	Bolt, 1/2"-13NC x 1 1/2" (Grade 8)	4	
-5	4740171	Washer, Hardened	4	
-6	3952020	Setscrew 5/8"-11NC x 2 1/2"	2	
-7	3312002	Nut, Jam 5/8"-11NC	2	
	0100019	Loctite	A/R	
-8	4840596	Boom Pivot Weldment (Attaching Parts)	2	
-9	0681612	Bolt 3/8"-16NC x 1 1/2" (Grade 8)	6	
-10	4740185	Washer, Hardened	6	
-11	0440084	Bearing	2	
-12	2160006	Fitting, Grease	2	
-13	1680365	Lift Cylinder Assembly (See Figure 2-7 For Breakdown) (Attaching Parts)	1	
-14	3420656	Pin, Lift Cylinder (Upper)	1	
-15	3760104	Ring, Retaining	2	
-16	3951812	Bolt, Socket Head 1/2"-13NC x 1 1/2"	1	
-17	3311802	Nut, Jam 1/2"-13NC	1	
-18	3421083	Pin, Lift Cylinder (Lower)	1	
-19	0630399	Bolt, Special	1	
-20	4751600	Flatwasher 3/8"	1	
-21	4761600	Lockwasher 3/8"	1	
-22	3311605	Locknut 3/8"-16NC	1	
-23	1681519	Master Cylinder Assembly (See Figure 2-8 For Breakdown)	1	
	1681547	Master Cylinder Assembly (See Figure 2-8 For Breakdown)	1	
	1681580	Master Cylinder Assembly (See Figure 2-8 For Breakdown)	1	
		Note: Refer to Number Stamped on Barrel For Identification.		
		(Attaching Parts)		
-24	0233449	Pin, Master Cylinder (Upper - Design A)	1	
-25	0236548	Pin, Master Cylinder (Upper - Design B)	1	
-26	3311501	Nut 5/16"-18NC (Design B Only)	1	
-27	4761500	Lockwasher 5/16" (Design B Only)	1	
-28	4751500	Flatwasher 5/16" (Design B Only)	1	
	4300038	Stud (Welded On Part) (Design B Only)	1	
-29	0651608	Bolt 3/8"-24NF x 1"	1	
-30	4761600	Lockwasher 3/8"	1	
-31	4740006	Flatwasher, Special	1	
	0100019	Loctite	A/R	
-32	3420531	Pin, Master Cylinder (Lower - Design A)	1	
-33	3450609	Pin, Cotter (Design A)	2	
-34	4740040	Flatwasher, Special (Design A)	2	

SECTION 2 — ILLUSTRATED PARTS LIST

FIGURE & INDEX NO.	PART NUMBER	ITEMS & DESCRIPTION	QTY.	
2-3	1681510	TELESCOPE CYLINDER ASSEMBLY (2 SECTION BOOM)	Ref.	I
	1681583	TELESCOPE CYLINDER ASSEMBLY (2 SECTION BOOM)	Ref.	C
		Note: Refer to Number Stamped on Barrel for Identification.		
-1	1680717	Barrel Assembly	1	
-2	3900141	Screw, Set Nylon	2	
-3	3300198	Nut	1	
-4	Kit	T-Seal	1	
-5	Kit	Ring, Guidelock (1681510 Cylinder)	2	
-6	3480092	Piston (1681510 Cylinder)	1	
-7	Kit	Seal, Piston (1681510 Cylinder)	2	
-8	Kit	T-Seal (1681583 Cylinder)	1	
-9	Kit	Band, Wear (1681583 Cylinder)	2	
-10	3480054	Piston (1681583 Cylinder)	1	
-11	1440220	Collar	1	
-12	3951603	Setscrew 3/8"-16NC x 3/8"	2	
-13	Kit	O-Ring	1	
-14	Kit	Ring, Wear	1	
-15	1681283	Head, Cylinder	1	
-16	Kit	Seal, Rod	1	
-17	Kit	Seal, Rod Wiper	1	
-18	1120108	End Cap Head	1	
-19	1681306	Cylinder Rod	1	
-20	0641628	Bolt 3/3"-16NC x 3 1/2"	2	
-21	4751600	Flatwasher 3/8"	4	
-22	3311605	Locknut 3/8"-16NC	2	
-23	0560563	Block, Cylinder Support	1	
-24	2200102	Plug, Pipe	1	
-25	4740056	Washer, High Collar	2	
-26	3931628	Screw, Socket Head 3/8"-16NC x 1 3/4"	2	
-27	4640414	Valve, Counterbalance	1	
-28	2200201	Plug, Bleeder (1681583 Cylinder)	1	
-29	2220238	Plug, O-Ring	2	
-30	2220372	Fitting, Straight	1	
-31	2751150	Hose	1	
-32	2220343	Fitting, Straight	1	
-33	1320037	Clamp	2	
	4280018	Strip, Rubber	A/R	
	2900347	Seal Kit - 1681510 Cylinder (Includes Items 4,5,7,13,14,16 and 17)		
	2900350	Seal Kit - 1681583 Cylinder (Includes Items 4,8,9,13,14,16 and 17)		

SECTION 2 — ILLUSTRATED PARTS LIST

FIGURE & INDEX NO.	PART NUMBER	ITEMS & DESCRIPTION	QTY.
2-6		SLAVE CYLINDER ASSEMBLY (CONTINUED)	Ref.
-12	1681635	Head (1681548 Cylinder)	1
	1680892	Head (1681722 and 1681518 Cylinders)	1
-13	Kit	Wiper, Rod	1
-14	1120179	Head, Retainer	1
-15	1681331	Rod Assembly	1
-16	2160001	Fitting	1
-17	4640269	Valve (1681518 Cylinder)	1
	4640495	Valve (1681548 Cylinder)	2
	4640509	Valve (1681722 Cylinder)	2
-18	2200213	Fitting (1681548 Cylinder)	2
	2200202	Plug (1681722 Cylinder)	2
	0100011	Loctite	A/R
	0100020	Sealant, Pipe	A/R
-19	0960097	Bushing	1
	2901119	Kit, Seal - 1681518 Cylinder (Includes Items 3,4,6 8,9,10,11 and 13)	1
	2900381	Kit Seal - 1681722 and 1681548 Cylinders (Includes Items 3,4,6,8,9,10,11 and 13)	1
	0460058	Bellows (Optional - Not Shown)	1

SECTION 2 — ILLUSTRATED PARTS LIST

FIGURE & INDEX NO.	PART NUMBER	ITEMS & DESCRIPTION	QTY.
2-10	0235306	BOOM WIPERS INSTALLATION (3 SECTION BOOM) (CONTINUED)	Ref.
-37	4300031	Stud (Welded On Part)	8
-38	4761400	Lockwasher 1/4"	8
-39	3311401	Nut 1/4"-20NC	8
-40	0540056	----- Blade, Wiper	2
-41	4280212	(Attaching Parts)	2
-42	0641407	Strip, Wear Retainer	2
-43	4751400	Bolt 1/4"-20NC x 7/8"	10
-44	3311401	Flatwasher 1/4"	10
-44	3311401	Nut 1/4"-20NC	10
-45	2660019	----- Holder, Boom Wiper (Bottom Mid-Section)	1
-45	2660019	(Attaching Parts)	1
-46	4300031	Stud (Welded On Part)	3
-46	4761400	Lockwasher 1/4"	3
-47	3311401	Nut 1/4"-20NC	3
-48	0540052	----- Blade, Wiper	1
-48	0540052	(Attaching Parts)	1
-49	4280208	Strip, Wiper Retainer	1
-50	0641407	Bolt 1/4"-20NC x 7/8"	5
-51	4751400	Flatwasher 1/4"	5
-52	3311401	Nut 1/4"-20NC	5
-52	3311401	-----	5

SECTION 2 — ILLUSTRATED PARTS LIST

FIGURE & INDEX NO.	PART NUMBER	ITEMS & DESCRIPTION	QTY.
		PLATFORM CONTROL BOX ASSEMBLIES (CONTINUED)	Ref.
2-13			
-53	4360071	Switch, Lights	1
	4060087	Shield	1
	3251019	Nameplate, Lights	1

-54	4360114	Switch, Horn	1
	3250995	Nameplate, Horn	1

-55	2960006	Lens, Capacity Indicator, Cable Type	1
	3507501	Plate, Cover (Without Capacity Indicator) (Attaching Parts)	1
-56	3900127	Screw Special	4
	4771000	Starwasher #10	4
	3300180	Nut, Retainer	4
	3960251	Gasket (With Capacity Indicator)	1
	3960254	Gasket (Without Capacity Indicator)	1

-57	4360077	Switch, Telescope	1
	4060087	Shield	1
	3250592	Nameplate, Telescope	1

-58	4360077	Switch, Rotate	1
	4060087	Shield	1
	3251022	Nameplate, Rotate	1

-59	4360114	Switch, Glow Plug	1
	3251025	Nameplate, Glow Plug	1

-60	4360016	Switch, Start Push Button	1
	3250996	Nameplate, Start	1

-61	4360114	Switch, Choke	1
	3251026	Nameplate, Choke	1

-62	1600041	Controller, P.Q. - Drive (Attaching Parts)	1
	0640803	Bolt #8-32NC x 3/8"	4
	4760800	Lockwasher #8	4
	7003703	Gasket	1

-63	4360077	Switch, Steer	1
	4060087	Shield	1
	3250591	Nameplate, Steer	1
-64	2920015	Light, Red, Tilt Indicator	1
	2920029	Bulb, 12 V.D.C.	1
	3251250	Nameplate, Tilt Indicator	1

-65	4360071	Switch, Drive, Motor	1
	4060087	Shield	1
	3251244	Nameplate, Drive Motor	1

-66	4360071	Switch, Drive Speed	1
	4060087	Shield	1
	3251024	Nameplate, Drive Speed	1

-67	4360071	Switch, Engine Speed	1
	4060087	Shield	1
	3251023	Nameplate, Drive Speed	1

	2900453	Nameplate, Kit	1

SECTION 2 — ILLUSTRATED PARTS LIST

FIGURE & INDEX NO.	PART NUMBER	ITEMS & DESCRIPTION	QTY.
2-15		PLATFORM CONTROL BOX ASSEMBLY - OEM CONTROLLERS (CONTINUED)	Ref.
-29	3900111	Bolt	1
	0100011	Loctite	A/R
	1700502	Nameplate	1
	1700503	Nameplate	1
	4561774	Spacer, Tube	1
	0440042	Bearing, Ball	2
	2420057	Gauge, Indicator	1
-30	4160058	Spring, Torsion	1
-31	1060168	Cable	1
-32	4220044	Cable Stop	2
-33	4460052	Connector	1
-34	3300047	Nut	1
-35	4460051	Connector	1
-36	3300048	Nut	1
-37	4460071	Connector	1
-38	3300048	Nut	1
-39	4460263	Terminal Strip (Attaching Parts)	1
	0721008	Screw, #10-24NC x 1/2"	2
	4761000	Lockwasher #10	2
	3311001	Nut #10-24NC	2
-40	0860038	Box, Switch (Attaching Parts)	1
-41	3911008	Screw, #10-24NC x 1/2"	4
-42	4761000	Lockwasher #10	4
-43	4060092	Shield, Weatherproof	1
	4460190	Terminal, Receptacle (Not Shown)	1
-44	4460049	Connector	1
-45	0960407	Bushing, Reducer	1
-46	4320002	Stud	4
-47	3311505	Locknut 5/16"-18NC	8
-48	4751500	Flatwasher 5/16"	8
-49	3251548	Decal, Caution (Standard) (LH Side of Box - Shown)	1
-50	3251549	Decal, Danger (Standard) (RH Side of Box - Shown) (Attaching Parts)	1
-51	3311405	Locknut 1/4"-20NC	4
-52	4751400	Flatwasher 1/4"	8
	3251775	Decal, Caution/Danger (Standard) (Located in Front of Box - Not Shown)	1
	3251671	Decal, Caution/Danger (CSA) (Located in Front of Box - Not Shown) (Attaching Parts)	1
	3820001	Rivet	6
	2920024	Light, Panel (Optional - Not Shown)	2
	0236834	CAPACITY INDICATOR INSTALLATION	Ref.
-53	3580092	Pulley	1
-54	1670340	Cover, Pulley	1

SECTION 2 — ILLUSTRATED PARTS LIST

FIGURE & INDEX NO.	PART NUMBER	ITEMS & DESCRIPTION	QTY.
2-17		GROUND CONTROL BOX INSTALLATION (VICKERS VALVES) (CONTINUED)	Ref.
-65	2420035	Gauge, Oil Pressure (Gas)	1
	2420030	Gauge, Oil Pressure (Diesel)	1
	2220574	Fitting (Deutz) - (Not Shown)	1
	2220295	Fitting, Coupling (Deutz) - (Not Shown)	1
	0100020	Loctite (Diesel)	A/R
-66	2420019	Gauge, Water Temperature (Gas)	1
-67	2420009	Gauge, Hourmeter	1
-68	0901192	Bracket, Manual Descent (Electric machines Only) (Attaching Parts)	1
-69	0641608	Bolt 3/8"-16NC x 1"	2
-70	4761600	Lockwasher 3/8"	2
-71	3311601	Nut 3/8"-16NC	2
-72	4640005	Valve, Needle	3
	2900062	Kit, Panel Mounting	3
-73	4841978	Bracket, Box Mounting (Electric Machines Only) (Attaching Parts)	1
-74	0641609	Bolt 3/8"-16NC x 1 1/8"	4
-75	4751600	Flatwasher 3/8"	4
-76	4761600	Lockwasher 3/8"	4
-77	3311601	Nut 3/8"-16NC	4
-78	2920024	Light, Panel (Optional)	1

SECTION 2 — ILLUSTRATED PARTS LIST

FIGURE & INDEX NO.	PART NUMBER	ITEMS & DESCRIPTION	QTY.
2-21	7002364	PROPORTIONAL CONTROL VALVE ASSEMBLY INLET (DUMP) SECTION	Ref.
	7002385	Plug Assembly	1
-1	7004848	Plug	1
-2	Kit	O-Ring	1
-3	7002384	Screw, Socket Set	1
-4	7002377	Spring Compression, Helical	1
-5	7002376	Spring Compression, Helical	1
-6	7002371	Poppet	1
	7004850	Seat Assembly	1
-7	7004851	Seat	1
-8	Kit	O-Ring	1
-9	7002324	Plug	4
-10	7002326	Orifice, 0.040	1
-11	7002375	Orifice, 0.062	1
	7002386	Plug Assembly	1
-12	7004853	Plug	1
-13	Kit	O-Ring	1
-14	7000417	Coil, 12 Volt DC	1
	7004854	Solenoid Assembly	1
-15	7004837	Screw, Slotted, Pan Head	4
-16	7002338	Plate	1
-17	7004824	Sleeve	1
-18	7004835	Sleeve	1
-19	7004836	Case	1
-20	7002334	Spring	1
-21	7004855	Guide, Tube Assembly	1
	7004838	Tube	1
	7004839	Plunger	1
	7004856	Pin and Guide Assembly	1
	7002340	Guide	1
	Kit	Packing, Preformed, O-Ring	1
	7004857	Pin and Quad Ring Assembly	1
	7004841	Pin	1
	Kit	Quad Ring	1
	7004858	Cone and O-Ring Assembly	1
	7004822	Cone	1
	Kit	Packing, Preformed, O-Ring	1
	Kit	Packing, Preformed, O-Ring	1
-22	7002327	Nameplate	1
-23	Kit	O-Ring	1
-24	7002374	Screw, Socket Recessed	2
-25	7002319	Pin	1
-26	7002229	Ball	1
	7002330	Seat Assembly	1
-27	7004823	Seat, Ball	1
-28	Kit	O-Ring	1
	7004860	End Cap Assembly	1
-29	7004861	Cap	1
-30	7002223	Plug	1
-31	Kit	O-Ring	1
-32	7002373	Spacer	1
-33	7002379	Spring	1
	7004863	Stem Assembly	1
-34	7004864	Stem	1
-35	Kit	O-Ring	1
-36	Kit	Glyd Ring	1

SECTION 2 — ILLUSTRATED PARTS LIST

FIGURE & INDEX NO.	PART NUMBER	ITEMS & DESCRIPTION	QTY.
2-23	4640247	CONTROL VALVE ASSEMBLY - 4 SECTION RACINE BANG-BANG (CONTINUED)	Ref.
	4640246	CONTROL VALVE ASSEMBLY - 3 SECTION RACINE BANG-BANG (CONTINUED)	Ref.
-39	7002315	Steer Section - Complete	1
-40	7004859	Solenoid Assembly	2
-41	7002274	Washer	1
-42	7002348	Spring	1
-43	7002305	Guide Tube Assembly	1
-44	7002345	Cone, Female	1
	Kit	O-Ring	1
	Kit	O-Ring	1
-45	7002346	Pin, Push	1
-46	7002344	Plunger	1
-47	7000470	Tube, Guide	1
-48	7002341	Pin, Actuator	1
	Kit	Ring, Quad	1
-49	7002340	Guide, External Push Pin	1
	Kit	O-Ring	1
-50	7002333	Sleeve, Inner Flux	1
-51	7002334	Spring	1
-52	7002336	Sleeve, Outer Flux	1
-53	7000418	Coil	1
-54	7002335	Case, Solenoid	1
-55	7002338	Plate, End	1
	7002327	Nameplate	1
-56	7002339	Screw	4
-57	7000468	Relief Valve Block Assembly	1
-58	7002355	Spring	2
-59	7000116	Rivet	2
-60	7002350	Plug	2
	Kit	O-Ring	2
-61	7000113	Screw, Adjusting	2
-62	Kit	Seal, Thread	2
-63	7000114	Nut	2
	7000414	Seal Kit - Working Section	4
	7000413	Seal Kit - Dump Section	1
	7000439	Seal Kit - Relief Valve Block (Telescope and Steer)	2
	7000440	Seal Kit - Relief Valve Block (Level)	1

CLICK HERE TO **DOWNLOAD** THE COMPLETE MANUAL

- Thank you very much for reading the preview of the manual.
- You can download the complete manual from: www.heydownloads.com by clicking the link below



- Please note: If there is no response to CLICKING the link, please download this PDF first and then click on it.

CLICK HERE TO **DOWNLOAD** THE COMPLETE MANUAL

SECTION 2 — ILLUSTRATED PARTS LIST

FIGURE & INDEX NO.	PART NUMBER	ITEMS & DESCRIPTION	QTY.	
2—26		ENGINE COMPONENTS, ASSEMBLIES AND INSTALLATIONS - WISCONSIN VH4D GAS	Ref.	
	0236178	ENGINE ASSEMBLY AND INSTALLATION - STANDARD GAS (RACINE VALVES)	Ref.	N
	0237895	ENGINE ASSEMBLY AND INSTALLATION - STANDARD GAS (VICKERS VALVES)	Ref.	E
	0236182	ENGINE ASSEMBLY AND INSTALLATION - VAPOR WITHDRAWAL DUAL FUEL - RACINE VALVES)	Ref.	L
	0237899	ENGINE ASSEMBLY AND INSTALLATION - VAPOR WITHDRAWAL DUAL FUEL (VICKERS VALVES)	Ref.	F
	0238307	ENGINE ASSEMBLY AND INSTALLATION - VAPOR WITHDRAWAL DUAL FUEL (VICKERS VALVES WITH PISTON PUMP)	Ref.	C
	0236671	ENGINE ASSEMBLY AND INSTALLATION - LIQUID WITHDRAWAL DUAL FUEL (RACINE VALVES)	Ref.	C
	0237901	ENGINE ASSEMBLY AND INSTALLATION - LIQUID WITHDRAWAL DUAL FUEL (VICKERS VALVES)	Ref.	E
	0236184	ENGINE ASSEMBLY AND INSTALLATION - LP GAS (RACINE VALVES)	Ref.	I
	0237897	ENGINE ASSEMBLY AND INSTALLATION - LP GAS (VICKERS VALVES)	Ref.	E
—1	2000024	Engine, Wisconsin VH4D (Standard and Dual Fuel)	1	
	2000043	Engine, Wisconsin VH4D (LP) (Attaching Parts)	1	
—2	4841899	Channel	2	
—3	0641820	Bolt 1/2"-13NC x 2 1/2"	4	
	0641822	Bolt 1/2"-13NC x 2 3/4"	4	
—4	4751800	Flatwasher 1/2"	8	
—5	3311805	Locknut 1/2"-13NC	8	
—6	0900047	Bracket, Ammeter (When Equipped) (Attaching Parts)	1	
—7	0641406	Bolt 1/4"-20NC x 3/4"	2	
—8	4761400	Lockwasher 1/4"	2	
—9	4751400	Flatwasher 1/4"	2	
	2420006	Ammeter (Supplied With Engine)	1	
—10	1700820	Decal - Terminal Strip (Vickers Machines Only)	1	
—11	4460277	Strip, Terminal (Vickers Machines Only) (Attaching Parts)	1	
	3910812	Screw, Round Head #8-32NC x 3/4"	2	
	4770800	Starwasher #8	2	
	3300233	Nut, Special	2	
—12	1670414	Cover	1	
	0140001	Horn (Location May Vary) (Attaching Parts)	1	
	4751400	Flatwasher 1/4"	4	
	4761400	Lockwasher 1/4"	4	
	3311401	Nut 1/4"-20NC	4	
—13	4360067	Switch, Vacuum (When Equipped)	1	
—14	4060558	Heat Shield (Attaching Parts)	1	
	3941406	Screw, Self-Tapper 1/4"-20NC x 3/4"	1	
	0641406	Bolt 1/4"-20NC x 3/4"	1	

SECTION 2 — ILLUSTRATED PARTS LIST

FIGURE & INDEX NO.	PART NUMBER	ITEMS & DESCRIPTION	QTY.	
2-28	0236329	110 VOLT GENERATOR INSTALLATION -WISCONSIN (RACINE VALVES)	Ref.	E
	0238893	110 VOLT GENERATOR INSTALLATION -WISCONSIN (VICKERS VALVES)	Ref.	B
-1	2460011	Generator (Attaching Parts)	1	
-2	0641508	Bolt 5/16"-18NC x 1"	1	
-3	4751500	Flatwasher 5/16"	1	
-4	0641512	Bolt 5/16"-18NC x 1 1/2"	2	
-5	4761500	Lockwasher 5/16"	2	
-6	3311501	Nut 5/16"-18NC	2	
-7	0901037	Adjusting Bracket (Attaching Parts)	1	
-8	0641510	Bolt 5/16"-18NC x 1 1/4"	1	
-9	4761500	Lockwasher 5/16"	1	
-10	3311501	Nut 5/16"-18NC	1	
-11	3580072	Pulley	1	
	1440217	Collar (Not Shown)	1	
	2860012	Key, Woodruff (Not Shown)	1	
	0100011	Loctite #242	A/R	
-12	3580077	Pulley (Attaching Parts)	1	
-13	0641412	Bolt 1/4"-20NC x 1 1/2"	2	
-14	4771400	Starwasher 1/4"	2	
-15	0480035	V-Belt	1	
-16	1660089	Coupling	1	
-17	0235776	Bracket	1	
-18	0235777	Bracket (Attaching Parts)	1	
-19	0641410	Bolt 1/4"-20NC x 1 1/4"	3	
-20	4751400	Flatwasher 1/4"	3	
-21	3311401	Nut 1/4"-20NC	3	
-22	4761400	Lockwasher 1/4"	3	
-23	0641612	Bolt 3/8"-16NC x 1 1/2" (Not Shown)	2	
-24	4761600	Lockwasher 3/8"	2	
-24	3311601	Nut 3/8"-16NC	2	
-25		Box, Electrical (Supplid With Engine) (Attaching Parts)	1	
	4300062	Stud (Welded On Part)	2	
	4751400	Flatwasher 1/4"	4	
	4761400	Lockwasher 1/4"	2	
	3311401	Nut 1/4"-20NC	2	
-26	3251476	Nameplate	1	
-27	4460023	Connector	1	
-28	4460134	Connector	1	
	1060012	Cable, Control	1	
-29	4460071	Connector	1	
	3300048	Locknut, Conduit	1	
	0960238	Bushing	1	

SECTION 2 — ILLUSTRATED PARTS LIST

FIGURE & INDEX NO.	PART NUMBER	ITEMS & DESCRIPTION	QTY.
2-30	0236418	110 VOLT GENERATOR INSTALLATION - (DEUTZ)	Ref.
-1	2460011	Generator (Attaching Parts)	1
-2	0641508	Bolt 5/16"-18NC x 1"	2
	4761500	Lockwasher 5/16"	2
	3311501	Nut 5/16"-18NC	2
-3	4340442	Support, Generator (Attaching Parts)	1
-4	0630365	Bolt, Metric 12MMx 65MM (Grade 8.8)	1
	4740117	Lockwasher 12MM	1
-5	4340444	Support Adjuster, Generator (Attaching Parts)	1
-6	0641540	Bolt 5/16" - 18NC x 5"	1
	4761500	Lockwasher 5/16"	1
	3311501	Nut 5/16"-18NC	1
-7	0641508	Bolt 5/16"-18NC x 1"	1
	4751500	Flatwasher 5/16"	1
	4761500	Lockwasher 5/16"	1
-8	3580100	Pulley, Generator	1
	2860012	Key, Woodruff	1
-9	3580101	Pulley (Attaching Parts)	1
-10	0630190	Bolt, Metric 8MM	8
	4740118	Lockwasher 8MM	8
-11	0480038	Belt Box, Electrical (Supplied with Engine) (Attaching Parts)	1
	3910808	Screw #8-32NC x 1/2"	2
	4751000	Flatwasher #8	4
	4760800	Lockwasher #8	2
	3310801	Nut #8-32NC	2
-12	3251476	Nameplate	1
-13	4460023	Connector	1
-14	4460134	Connector	1
	1060012	Cable, Control	1
-15	4460071	Connector	1
	3300048	Locknut, Conduit	1
	0960238	Bushing	1
	3740049	Relay (Located in Ground Control Box)	2

SECTION 2 — ILLUSTRATED PARTS LIST

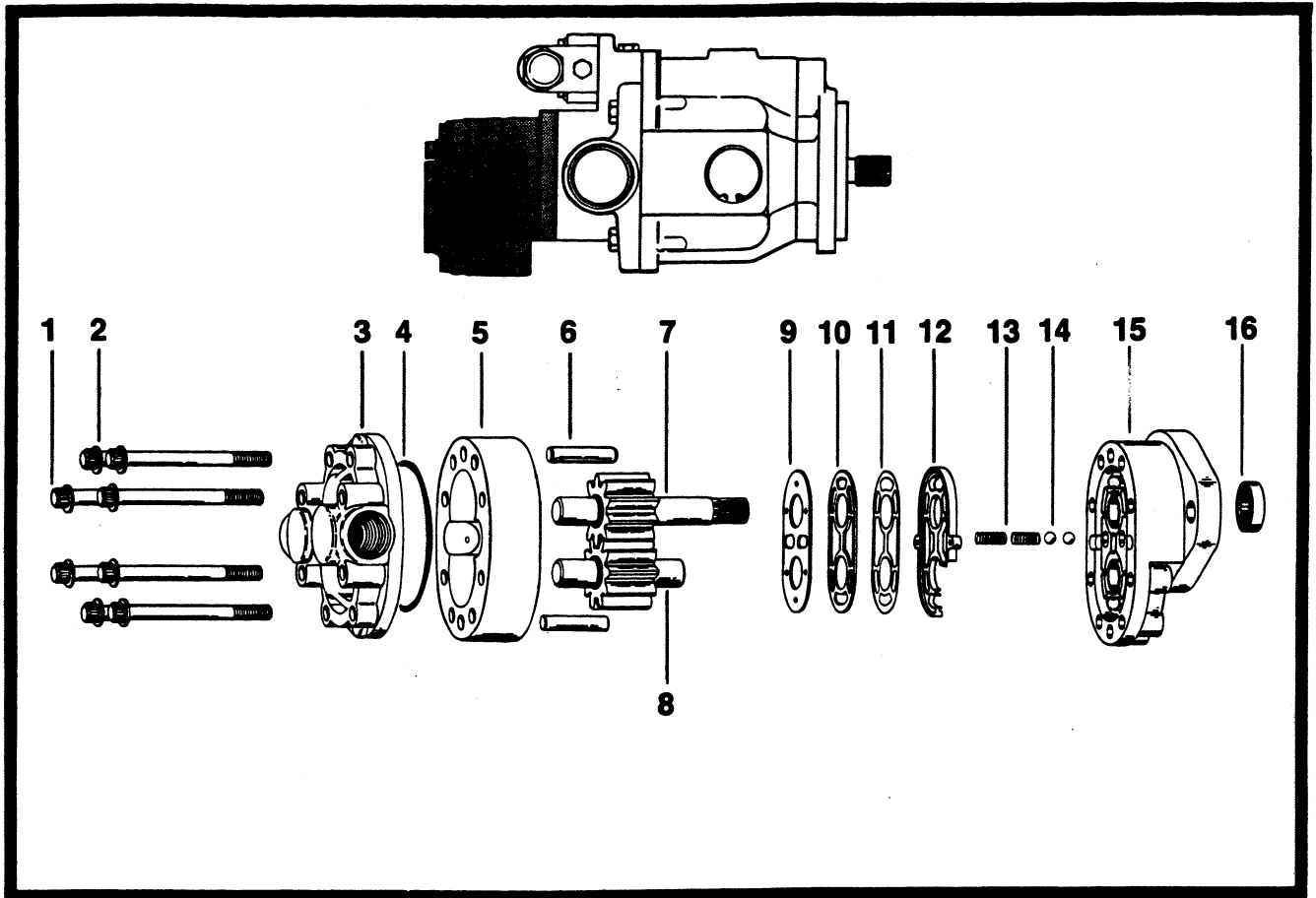


Figure 2-34. Tandem Pump Assembly (Gear Pump Section).

FIGURE & INDEX NO.	PART NUMBER	ITEMS & DESCRIPTION	QTY.
2-34	3600126	TANDEM PUMP ASSEMBLY	Ref.
	7007873	Gear Pump Section	1
-1	7007840	Bolt	4
-2	7007841	Bolt	4
-3	7004996	Back Plate Assembly	1
-4	Kit	O-Ring	1
-5	7007855	Body Assembly (Includes Item 6)	1
-6		Pin, Dowel	2
-7	7007853	Drive Gear Assembly	1
-8	7007854	Idler Gear Assembly	1
-9	Kit	Diaphragm	1
-10	Kit	Gasket, Back-Up	1
-11	Kit	Gasket, Protector	1
-12	Kit	Seal, Diaphragm	1
-13	Kit	Spring	2
-14	Kit	Ball, Steel	2
-15	7007561	Front Plate Assembly	1
-16	Kit	Seal Shaft	1
	2900626	Kit, Seal and Repair (Includes Items 4,9,10,11,12,13,14 and 16)	1

SECTION 2 — ILLUSTRATED PARTS LIST

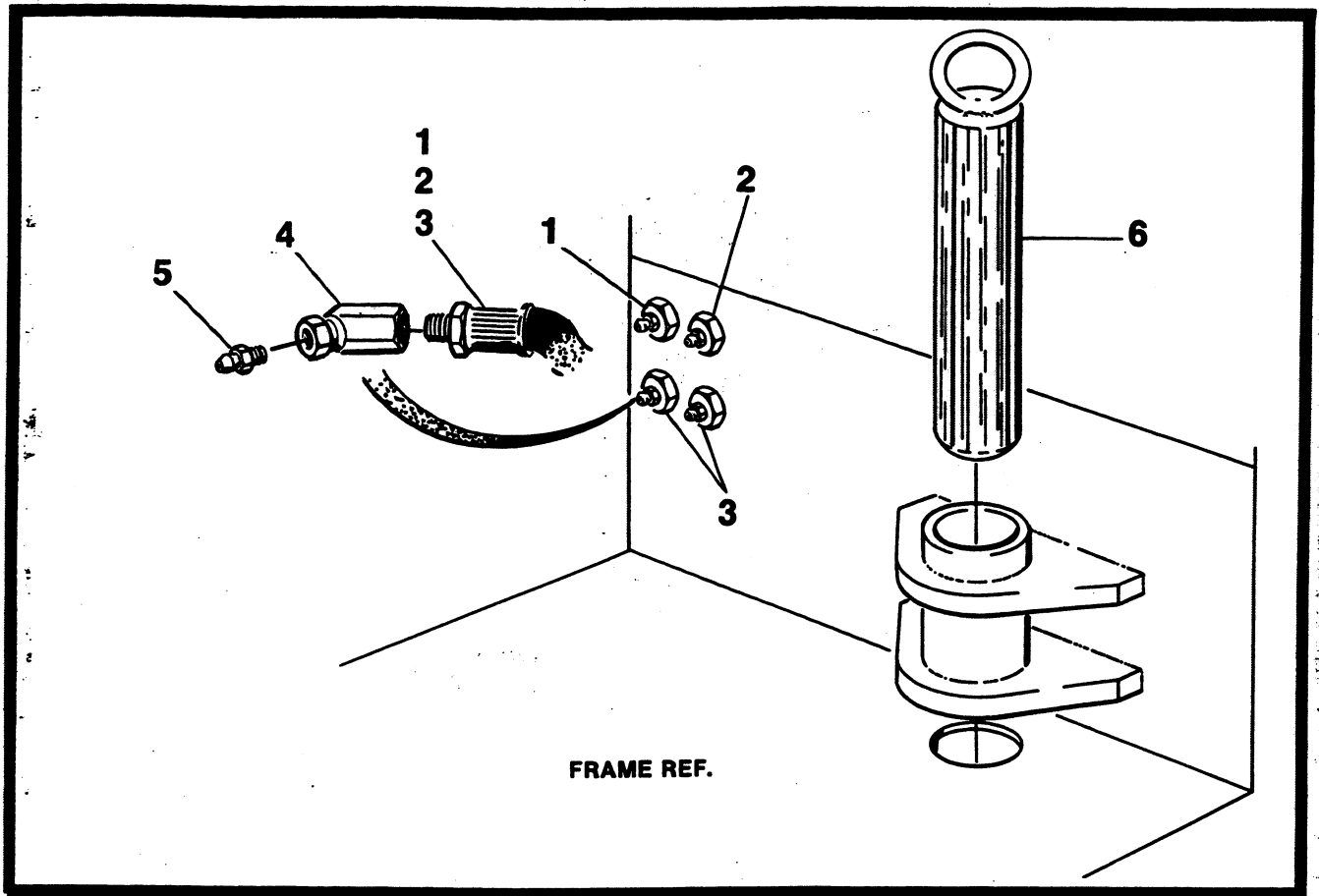


Figure 2-37. Remote Lubrication and Turntable Locking Pin Installation.

FIGURE & INDEX NO.	PART NUMBER	ITEMS & DESCRIPTION	QTY.	
2-37		REMOTE LUBRICATION AND TURNTABLE LOCKING PIN INSTALLATION	Ref.	
	0236214	LIFT CYLINDER, BEARING AND MASTER CYLINDER LUBE	Ref.	D
-1	2751032	Hose	1	
	2220063	Fitting (Not Shown)	1	
-2	2750807	Hose	1	
-3	2751095	Hose	2	
-4	2220124	Fitting	4	
-5	2160002	Fitting, Grease	4	
	0237195	LOCK PIN INSTALLATION - TURNTABLE	Ref.	-
-6	3421086	Pin (Fall 1985 to Present)	1	
	4841973	Pin (1983 to Fall 1985)	1	

SECTION 2 — ILLUSTRATED PARTS LIST

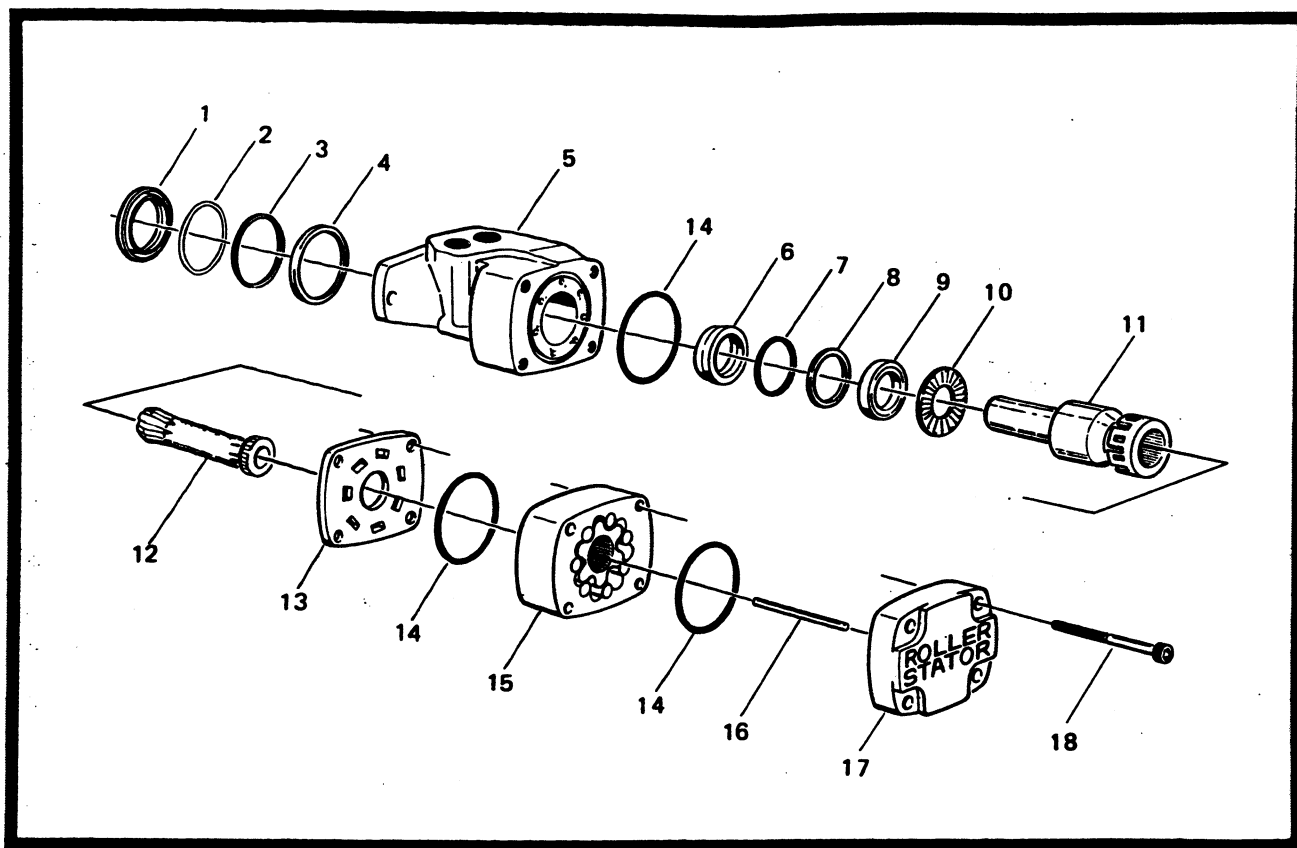


Figure 2-42. Swing Motor Assembly.

FIGURE & INDEX NO.	PART NUMBER	ITEMS & DESCRIPTION	QTY.
2-42	3160094	SWING MOTOR ASSEMBLY	Ref.
-1	Kit	Seal, Dust	1
-2	Kit	Ring, Wire	1
-3	Kit	Shim	1
-4	Kit	Seal	1
-5	7005818	Housing	1
-6	Kit	Carrier, Seal	1
-7	Kit	Shim	1
-8	Kit	Back-up, Leather	1
-9	Kit	Seal, Shaft	1
-10	7005809	Bearing, Thrust	1
-11	7005810	Shaft	1
-12	7005811	Link, Drive	1
-13	7005812	Plate, Wear	1
-14	Kit	Seal	3
-15	7005823	Stator, Roller	1
-16	7005820	Pin, Dowel	1
-17	7005816	Cover, End	1
-18	7005821	Bolt	4
	2900477	Seal Kit (Consists of Items 1,2,3,4,6,7,8,9 and 14)	1

C

SECTION 2 — ILLUSTRATED PARTS LIST

FIGURE & INDEX NO.	PART NUMBER	ITEMS & DESCRIPTION	QTY.	
2-46		FRAME, STEERING AND DRIVE COMPONENTS INSTALLATIONS (SINGLE ACTING CYLINDER)	Ref.	
-1	2360240	FRAME WELDMENT	Ref.	C
	0236468	STEERING INSTALLATION	Ref.	F
-2	3840864	Tie-Rod (LH/RH Threads on Opposite Ends) (May 1986 to Present)	1	
	3840764	Tie-Rod (RH Threads on Both Ends) (1984 to April 1986) (Attaching Parts)	1	
-3	3300023	Nut 1 1/4"-12NF (RH Threads)	2/1	
	3300229	Nut 1 1/4"-12NF (LH Threads)	1	
-4	0560605	End, Tie-Rod (RH Threads)	2/1	
	0560714	End, Tie-Rod (LH Threads)	1	
-5	3312602	Nut, Jam 1"-8NC	2	
-6	0440091	Washer, Thrust	2	
-7	0642628	Bolt 1"-8NC x 3 1/2"	2	
-8	2160002	Fitting, Grease	5	
-9	1681533	Steer Cylinder Assembly (2 1/2" Bore) (See Figure 2-47 For Breakdown)	1	
	1681562	Steer Cylinder Assembly (3" Bore) (See Figure 2-47 For Breakdown) (Attaching Parts)	1	
-10	3431622	Pin, Clevis	1	
-11	4752600	Flatwasher 1"	1	
-12	3450606	Pin, Cotter	1	
-13	3300175	Locknut, Special	1	
-14	0440091	Washer, Thrust	1	
-15	4130160	Spindle - RH (1 1/2" Dia. King Pin)	1	
	4130142	Spindle - RH (1 1/4" Dia. King Pin)	1	
-16	4130161	Spindle - LH (1 1/2" Dia. King Pin)	1	
	4130143	Spindle - LH (1 1/4" Dia. King Pin) (Attaching Parts)	1	
-17	3421243	King Pin (1 1/2" Dia.)	1	
	3421127	King Pin (1 1/4" Dia.)	1	
-18	0440183	Washer, Thrust (1 1/2" I.D.)	1	
	0440162	Washer, Thrust (1 1/4" I.D.)	1	
-19	3300208	Nut, Slotted 1 1/2"-12NF	1	
	3313003	Nut, Slotted 1 1/4"-7NC	1	
-20	3451012	Pin, Cotter 5/16" x 3"	1	
	3450608	Pin, Cotter 3/16" x 2"	1	
-21	0960523	Bushing, Bronze (1 1/2" Dia.)	4	
	0960839	Bushing, Bronze (1 1/4" Dia.)	4	
-22	2780091	Hub Assembly (Attaching Parts)	2	
-23	3960098	Seal, Hub	1	
-24	0440019	Cone, Bearing	2	
-25	0440018	Cup, Bearing	2	
-26	4740016	Washer, Hardened	1	
-27	3300208	Nut, Slotted 1 1/2"-12NF	1	
-28	3450810	Pin, Cotter	1	

SECTION 2 — ILLUSTRATED PARTS LIST

FIGURE & INDEX NO.	PART NUMBER	ITEMS & DESCRIPTION	QTY.
2-49	0920072	DRIVE BRAKE ASSEMBLY (HOUSING LENGTH - 3 3/4")	Ref. D
-1	7003047	Housing	1
-2	Kit	Gasket	1
-3	7003049	Bearing	1
-4	Kit	Seal, Oil	1
-5	7003051	Retainer, Spring	1
-6	7003052	Spring, Compression	12
-7	7003070	Shaft, Splined	1
-8	7000717	Pin, Torque	2
-9	7003054	Disc, Primary	1
-10	7003006	Spring, Separator	6
-11	7003055	Disc, Rotating	3
-12	7003056	Disc, Stationary	3
-13	7003057	Piston	1
-14	Kit	Ring, Backup	1
-15	Kit	O-Ring	1
-16	Kit	Ring, Backup	1
-17	Kit	O-Ring	1
-18	7000760	Bearing	1
-19	2000796	Screw, Bleeder	1
-20	7003071	Plate, Power	1
-21	7003007	Screw	4
-22	7003059	Valve, Pressure	1
-23	7000728	Plug	1
-24	Kit	Gasket	2
	2900662	Kit, Seal (Includes Items 2,4,14,15,16,17 and 24)	1

SECTION 2 — ILLUSTRATED PARTS LIST

FIGURE & INDEX NO.	PART NUMBER	ITEMS & DESCRIPTION	QTY.	
2—54		PLACARDS AND DECALS INSTALLATIONS MODEL 40HT	Ref.	
	0236274	PLACARDS AND DECALS INSTALLATIONS (GAS)	Ref.	J
	0236276	PLACARDS AND DECALS INSTALLATIONS (DIESEL)	Ref.	J
	0236277	PLACARDS AND DECALS INSTALLATIONS (L.P. GAS)	Ref.	J
	0236278	PLACARDS AND DECALS INSTALLATIONS (DUAL FUEL)	Ref.	J
	0237593	PLACARDS AND DECALS INSTALLATIONS (ELECTRIC)	Ref.	B
—1	1700423	Decal - FWD (Brown)	4	
	1700977	Decal - FWD (Cream)	4	
—2	1700568	Decal - Arrow (Brown)	4	
	1700978	Decal - Arrow (Cream)	4	
—3	3251549	Nameplate - Danger (Attaching Parts)	1	
	3311401	Nut 1/4"-20NC	2	
	4761400	Lockwasher 1/4"	2	
—4	3251548	Nameplate - Caution (Gas, Diesel LP Dual Fuel) Nameplate - Caution (Electric) (Attaching Parts)	1 1	
	3311401	Nut 1/4"-20NC	2	
	4761400	Lockwasher 1/4"	2	
—5	1700157	Decal - Manual	1	
	0860520	Box, Manual Storage (Attaching Parts)	1	
	3311405	Locknut 1/4"-20NC	4	
	4751400	Flatwasher 1/4"	4	
	1060279	Cable, Lanyard (Attaching Parts)	1	
	0641408	Bolt 1/4"-20NC x 1"	1	
	3311405	Locknut 1/4"-20NC	1	
—6	1700476	Decal - No Hands	2	
—7	1700477	Decal - Attach Belt	1	
—8	3251766	Nameplate - Footswitch	1	
	3820001	Rivet	4	
—9	1700640	Decal - Danger	2	
—10	1700430	Decal - Gas-Gasoline-Petrol	1	
	1700428	Decal - Diesel Fuel	1	
—11	1700419	Decal - Hydraulic Fluid	1	
—12	1700585	Decal - Danger (Location May Vary)	3	
—13	1700584	Decal - Patent	1	
—14	1700643	Decal - Caution (Location May Vary)	1	
—15	1700431	Decal - Brown and Orange Stripe	A/R	
—16	1700422	Decal - JLG Lift (Shown) (Used 1983 - Fall 1989)	1	
	1700981	Decal - JLG (Not Shown) (Fall 1989 to Present)	1	
—17	1700427	Decal - Company Logo (Shown) (1983 - Fall 1989)	1	
	3251813	Decal USA (Not Shown) (Fall 1989 to Present)	1	
—18	1700377	Decal - Lift Here (Brown)	4	
	1700975	Decal - Lift Here (Cream)	4	
	1700575	Decal - Tie Down Lug (Brown)	4	
	1700976	Decal - Tie Down Lug (Cream)	4	
—19	1700557	Decal - 40HT	2	
—20	1700593	Decal - Inspection	1	
—21	3251569	Nameplate - Operator Handbook (Location May Vary)	1	

SECTION 2 — ILLUSTRATED PARTS LIST

FIGURE & INDEX NO.	PART NUMBER	ITEMS & DESCRIPTION	QTY.	
2—59	2790881	HYDRAULIC DIAGRAM - PUMP (RACINE VALVES WITHOUT STEERING WHEEL)	Ref.	H
—1	2220009	Fitting	1	
—2	1320012	Clamp	8	
—3	2720077	Hose	1	
—4	2720076	Hose	1	
—5	2220592	Fitting	2	
—6	2180651	Fitting, Modified	1	
—7	2750759	Hose	1	
—8	4640197	Valve, Check	1	
—9	Not Used			
—10	Not Used			
—11	2220347	Fitting	1	
—12	2220407	Fitting, 90°	1	
	2220345	Fitting, Straight	2	
—13	2220057	Fitting	1	
—14	2220473	Fitting	2	
—15	2220466	Fitting	1	
—16	2220366	Fitting	3	
—17	2220375	Fitting	1	
—18	Not Used			
—19	2220670	Fitting	2	
—20	2220252	Fitting	2	
—21	4640009	Valve, Check	2	
—22	2220679	Fitting	2	
—23	2750998	Hose	1	
—24	2220619	Fitting	1	
—25	2220618	Fitting	2	
—26	2751013	Hose	1	
—27	2750771	Hose	1	
—28	2220596	Fitting	2	
—29	2220373	Fitting	1	
—30	2220602	Fitting	1	
—31	2750774	Hose	1	
—32	2751327	Hose	1	
—33	2750762	Hose (Both Ends Straight)	1	
	2751478	Hose (90° End - Straight End)	1	
—34	2750929	Hose (24" Length)	2	
	2750968	Hose (18" Length)	1	
—35	2220451	Fitting	1	
—36	2180516	Fitting	1	
—37	2751489	Hose (Both Ends Straight)	1	
	2751466	Hose (90° End - Straight)	1	
—38	2220261	Fitting	3	
—39	2220428	Fitting	2	
—40	2220429	Fitting	2	
—41	2180357	Fitting	1	
	2220386	Fitting, 90°	1	
—42	2220373	Fitting	1	
—43	2220577	Fitting	2	
—44	2220609	Fitting	1	
—45	2220635	Fitting	1	
—46	2751002	Hose (15" Length)	2	
	2750911	Hose (12" Length)	1	
—47	2220507	Fitting	1	
—48	2180217	Fitting	1	
—49	2220250	Fitting	2	
—50	2220414	Fitting	2	
—51	2751018	Hose (15" Length)	2	
	2750902	Hose (12" Length)	1	

SECTION 2 — ILLUSTRATED PARTS LIST

FIGURE & INDEX NO.	PART NUMBER	ITEMS & DESCRIPTION	QTY.
2-62	2791227	HYDRAULIC DIAGRAM - PUMP (VICKERS VALVES WITH STEERING WHEEL)	Ref.
-1	2220009	Fitting, Straight	1
-2	1320012	Clamp, Hose	8
-3	2720077	Hose, Suction	1
-4	2720076	Hose, Suction	1
-5	2220592	Fitting, 90°	2
-6	2750122	Hose	1
-7	Not Used		
-8	Not Used		
-9	2220374	Fitting, Straight	1
-10	2220239	Fitting, Plug	1
-11	2750889	Hose	2
-12	2220346	Fitting	1
-13	2220114	Fitting, Straight	1
-14	2220473	Fitting, 90°	1
-15	2220466	Fitting, 90°	1
-16	2220366	Fitting, 90°	2
-17	2220375	Fitting, Straight	1
-18	2220344	Fitting, Straight	2
-19	2220670	Fitting, Straight	1
-20	2220252	Fitting, Nipple	2
-21	4640009	Valve, Check	1
-22	2220679	Fitting, Tee	2
-23	2750998	Hose	1
-24	2220619	Fitting, Reducer	1
-25	2220618	Fitting, Reducer	2
-26	2750905	Hose	1
-27	2750771	Hose	1
-28	2220596	Fitting, 90°	2
-29	2220474	Fitting, 90°	1
-30	2220602	Fitting, Tee	1
-31	2750774	Hose	1
-32	2751350	Hose	1
-33	2750974	Hose	2
-34	2750968	Hose	2
-35	2220695	Fitting, Tee	1
-36	2220282	Fitting, Reducer	1
-37	2751466	Hose	1
-38	2220261	Fitting, Nipple	1
-39	2220428	Fitting, Disconnect	2
-40	2220429	Cap, Disconnect	2
-41	2220659	Fitting, 90°	1
-42	2220373	Fitting, Straight	5
-43	2220347	Fitting, Straight	1
-44	2220682	Fitting, Tee	1
-45	2220435	Fitting, Straight	1
-46	Not Used		
-47	2220438	Fitting, Reducer	1
-48	2180217	Orifice	1
-49	2220250	Fitting, Reducer	1
-50	2220414	Fitting, Straight	2
-51	2751018	Hose	1
-52	4640197	Valve, Check	1
-53	2220345	Fitting, Straight	3
-54	2220493	Fitting, 90°	1
-55	2750759	Hose	1

CLICK HERE TO **DOWNLOAD** THE COMPLETE MANUAL

- Thank you very much for reading the preview of the manual.
- You can download the complete manual from: www.heydownloads.com by clicking the link below



- Please note: If there is no response to CLICKING the link, please download this PDF first and then click on it.

CLICK HERE TO **DOWNLOAD** THE COMPLETE MANUAL