



# Illustrated Parts Manual

## *Model 340AJ*

*SN 0300200802  
TO SN 0300272222  
EXCLUDING SN 0300272191  
TO SN 0300272192*

**P/N  
3121739**

**April 3, 2020 - Rev M**

**ANSI**

**CE**



**AS/NZS**



An Oshkosh Corporation Company

CLICK HERE TO **DOWNLOAD** THE COMPLETE MANUAL

- Thank you very much for reading the preview of the manual.
- You can download the complete manual from: [www.heydownloads.com](http://www.heydownloads.com) by clicking the link below



- Please note: If there is no response to CLICKING the link, please download this PDF first and then click on it.

CLICK HERE TO **DOWNLOAD** THE COMPLETE MANUAL

# TABLE OF CONTENTS

FIGURE 8-69. SKYEYE INTERMEDIATE HARNESS .....	540
FIGURE 8-70. SKYEYE RECEIVER HARNESS .....	542
FIGURE 8-71. SKYLINE HARNESS.....	544
FIGURE 8-72. STROBE LIGHT CONTROL (BLUE STROBE LIGHT) .....	546
FIGURE 8-73. STROBE LIGHT EXTENSION HARNESS (BLUE STROBE LIGHT ONLY) .....	548
FIGURE 8-74. VALVE HARNESS .....	550
FIGURE 8-75. BATTERY DISCONNECT SWITCH.....	552
SECTION 9 - DECALS .....	555
FIGURE 9-1. DECALS INSTALLATION - ANSI AND ANSI EXPORT SPECS (ENGLISH) .....	556
FIGURE 9-2. DECALS INSTALLATION - AUSTRALIAN SPEC (ENGLISH) .....	558
FIGURE 9-3. DECALS INSTALLATION - BRAZIL SPEC (PORTUGUESE/SPANISH) .....	560
FIGURE 9-4. DECALS INSTALLATION - CE SPECS (ENGLISH) .....	562
FIGURE 9-5. DECALS INSTALLATION - CHINESE SPEC (CHINESE/ENGLISH) .....	564
FIGURE 9-6. DECALS INSTALLATION - CSA SPEC (FRENCH/ENGLISH) .....	566
FIGURE 9-7. DECALS INSTALLATION - JAPANESE SPEC (JAPANESE) .....	568
FIGURE 9-8. DECALS INSTALLATION - KOREAN SPEC (KOREAN/ENGLISH) .....	570
FIGURE 9-9. DECALS INSTALLATION - LATIN AMERICA SPEC (SPANISH/ENGLISH) .....	572
FIGURE 9-10. OPTIONAL DECALS INSTALLATION.....	574
SECTION 10 - RECOMMENDED SERVICE PARTS STOCK.....	577
FIGURE 10-1. RECOMMED SERVICE PARTS STOCK .....	578
SECTION 11 - SPECIAL OPTIONS .....	581
FIGURE 11-1. SPECIAL OPTIONS.....	582
PART NUMBER INDEX .....	587

# SECTION 1 - FRAME

## FIGURE 1-4. FLOW DIVIDER VALVE ASSEMBLY

ITEM	PART NUMBER	QTY	DESCRIPTION	REV
	1001118029	Ref	FLOW DIVIDER VALVE ASSEMBLY	D
1	7012941	3	Valve, Solenoid Cartridge (Without Coil) (Traction, Brake and Secondary Oscillating)	
1	7010543	3	Seal Kit - 7012941 Cartridge	
2	70002955	1	Valve, Solenoid Cartridge (Without Coil) (Primary Oscillating)	
2	7012953	1	Seal Kit - 70002955 Cartridge	
3	70002956	2	Valve, Solenoid Cartridge	
3	70002957	2	Seal Kit - 70002956 Cartridge	
4	70002958	1	Valve, Flow Divider Cartridge	
4	70002959	1	Seal Kit - 70002958 Cartridge	
5	70002960	1	Valve, Flow Divider Cartridge	
5	70002978	1	Seal Kit - 70002960 Cartridge	
6	70002961	4	Valve, Check Cartridge	
6	7017496	4	Seal Kit - 70002961 Check Cartridge	
7	70002962	1	Lock Kit	
8	70000781	2	Lock Kit	
9	70002386	2	Coil	
10	70002963	2	Coil	
11	See Note	2	Orifice .031 (Note: Not Available for Purchase)	
12	See Note	1	Orifice .025 (Note: Not Available for Purchase)	
13	See Note	1	Orifice .040 (Note: Not Available for Purchase)	
14	70002063	1	Orifice .062	
15	7024844	4	Plug	
16	7017406	5	Plug	

## SECTION 1 - FRAME

**FIGURE 1-8. TIRE AND WHEEL INSTALLATION - 7X18 SOLID CUSHION**

ITEM	PART NUMBER	QTY	DESCRIPTION	REV
	1001118641	Ref	TIRE AND WHEEL INSTALLATION - 7X18 SOLID	C
		Ref	Note: Due to critical stability weights, only replace tire and wheel assemblies with like components.	
1	3300106	36	Lugnut (9 per Wheel)	
2	1001118649	2	Tire and Wheel Assembly - 7 x 18 Solid Right Side (Note: No Serviceable Parts - Replace Complete Sets per Axle)	
3	1001121678	2	Tire and Wheel Assembly - 7 x 18 Solid Left Side (Note: No Serviceable Parts - Replace Complete Sets per Axle)	

## SECTION 1 - FRAME

**FIGURE 1-13. TIRE AND WHEEL INSTALLATION - 9X20 PNEUMATIC WITH TIRE SEALANT**

ITEM	PART NUMBER	QTY	DESCRIPTION	REV
	1001120027	Ref	TIRE AND WHEEL INSTALLATION - 9X20 PNEUMATIC WITH TIRE SEALANT	B
		Ref	Note: Due to critical stability weights, only replace tire and wheel assemblies with like components.	
1	3300106	36	Lugnut (9 per Wheel)	
2	2902203	1	Decal Kit - Required on Tires with Sealant (Includes qty 5 Decals and qty 4 Green Valve Stem Caps)	
2A	1120552	1	Cap, Valve Stem (Green) (Tires with Sealant Only)	
3	1001118647	2	Tire and Wheel Assembly - 9 x 20 Pneumatic Right Side	B
4	1001118648	2	Tire and Wheel Assembly - 9 x 20 Pneumatic Left Side	B
101	1706846	4	Decal - 75PSI	
102	4520605	4	Tire - IN265/50D20	
103	4640113	4	Valve, Air	
104	1001117129	4	Rim for 20 x 9 (Use with IN265/50D20 Tires)	

# SECTION 1 - FRAME

## FIGURE 1-18. FRAME SHIELDS INSTALLATION

ITEM	PART NUMBER	QTY	DESCRIPTION	REV
	1001115781	Ref	FRAME SHIELDS INSTALLATION	C
2	5250810	6	Bolt M8 x 20	
3	1001118274	4	Nut, Clip M8	
4	1001118915	2	Cover, Frame (Side)	
5	1001118916	1	Cover, Frame (Top)	
6	0100011	AR	Compound, Locking	

## SECTION 2 - TURNTABLE

**FIGURE 2-4. SWING DRIVE INSTALLATION (JING WEI)**

ITEM	PART NUMBER	QTY	DESCRIPTION	REV
	1001153364	Ref	SWING DRIVE INSTALLATION (JING WEI)	C
1	0100019	AR	Compound, Locking	
2	0711426	16	Bolt M14 x 90 Grade 10.9	
3	0711432	19	Bolt M14 x 150 Grade 10.9	
4	3931832	2	Capscrew 1/2-13 x 2	
5	4740171	2	Washer 1/2	
6	5241400	2	Washer M14	
7	1001107781	1	Swing Motor Assembly (See SWING MOTOR ASSEMBLY for Breakdown)	
8	1001153015	1	Swing Bearing and Rotation Box Assembly (See SWING BEARING ASSEMBLY for Breakdown)	
9	1001118961	1	Hose, Remote Grease Line (Includes Grease Fitting)	
10	2220124	1	Fitting, Swivel Adapter	

## SECTION 2 - TURNTABLE

### FIGURE 2-9. HYDRAULIC TANK ASSEMBLY

ITEM	PART NUMBER	QTY	DESCRIPTION	REV
	1001116339	Ref	HYDRAULIC TANK ASSEMBLY	F
1	70002112	1	Plug, Magnetic	
2	70002812	1	Hydraulic Breather/Filter Kit	
2A	70002839	1	Gasket	
3	See Note	NSS	Cover (Note: Use p/n 1001116339)	
4	See Note	NSS	Bolt (Note: Not Available - Purchase Locally)	
5	70002838	1	Cap, Fill	
6	70002840	1	Decal - Filter Replacement	
7	7024441	1	Gauge, Sight	

## SECTION 2 - TURNTABLE

**FIGURE 2-14. LP TANK ASSEMBLY (GAS MACHINES ONLY)**

ITEM	PART NUMBER	QTY	DESCRIPTION	REV
	1001118975	Ref	LP TANK ASSEMBLY (GAS MACHINES ONLY)	C
1	0760814	4	Bolt M8 x 30	
2	1320220	1	LP Tank Clamp Kit	
3	2180387	1	Fitting, LP	
4	2180389	1	Fitting, Relief Valve	
5	2180504	1	Fitting, Elbow	
6	2220290	1	Fitting, Adapter	
7	2720175	1	Hose	
8	4811900	4	Washer M8	
9	1001118274	4	Nut, Retainer	
10	1701543	1	Decal - LP	
100	1001196242	1	Bracket Kit for Shorter Tank (Not Shown - Includes Bracket & Hardware Only)	

## SECTION 2 - TURNTABLE

**FIGURE 2-19. STROBE LIGHT INSTALLATION (BLUE) (OPTIONAL) (SN 0300200802 through 0300217809)**

ITEM	PART NUMBER	QTY	DESCRIPTION	REV
	1001191346	Ref	STROBE LIGHT INSTALLATION (BLUE) (OPTIONAL) (SN <b>0300200802 through 0300217809</b> )	B
1	0700615	2	Bolt M6 x 35	
2	3290607	2	Nut M6	
3	3311005	3	Nut #10	
4	3911012	3	Screw #10 x 3/4	
5	4711000	3	Washer #10	
6	4811700	4	Washer M6	
7	1001142683	1	Module, Beacon Control	
8	1001142736	1	Strobe Light Control Harness (Not Shown - See ELECTRICAL SECTION for Breakdown)	
9	1001143431	NLA	Light, Strobe (Use p/n 1001210696 and p/n 1001200910)	
10	1001159027	1	Strobe Light Harness (Not Shown - See ELECTRICAL SECTION for Breakdown)	

## SECTION 2 - TURNTABLE

**FIGURE 2-24. STROBE LIGHT INSTALLATION (RED) (OPTIONAL) (SN 0300257079 through 0300272222)**

ITEM	PART NUMBER	QTY	DESCRIPTION	REV
	1001242850	Ref	BEACON LIGHT INSTALLATION - RED	A
1	0700615	2	Bolt M6 x 35	
2	3290607	2	Nut M6	
3	3292001	1	Nut M20	
4	3900085	2	Screw #10 x 1/2	
5	4240032	3	Tie-Strap	
6	4460488	3	Base, Mounting	
7	4751000	2	Washer #10	
8	4811700	4	Washer M6	
9	1001142683	1	Module, Beacon Control	
10	1001207004	1	Light, Strobe	
10	7028909	1	Connector - 2 Position	
10	4460943	2	Pin, Male	
11	1001207227	1	Mount	
12	1001142736	1	Strobe Light Control Harness (Not Shown - See Separate Breakdown in ELECTRICAL SECTION)	

## SECTION 2 - TURNTABLE

### FIGURE 2-29. KEY SWITCH INSTALLATION

ITEM	PART NUMBER	QTY	DESCRIPTION	REV
	1001119399	Ref	KEY SWITCH INSTALLATION (ALL SPECS EXCEPT CE SPEC)	C
1	3910804	6	Screw 8-32 x 1/4	
2	1001151393	1	Shim	
3	4360469	1	Switch, Key	
3A	2860030	1	Key, Replacement	

## SECTION 2 - TURNTABLE

**FIGURE 2-33. KUBOTA ENGINE HOOD COMPONENTS (WITHOUT ARCTIC PACKAGE)**

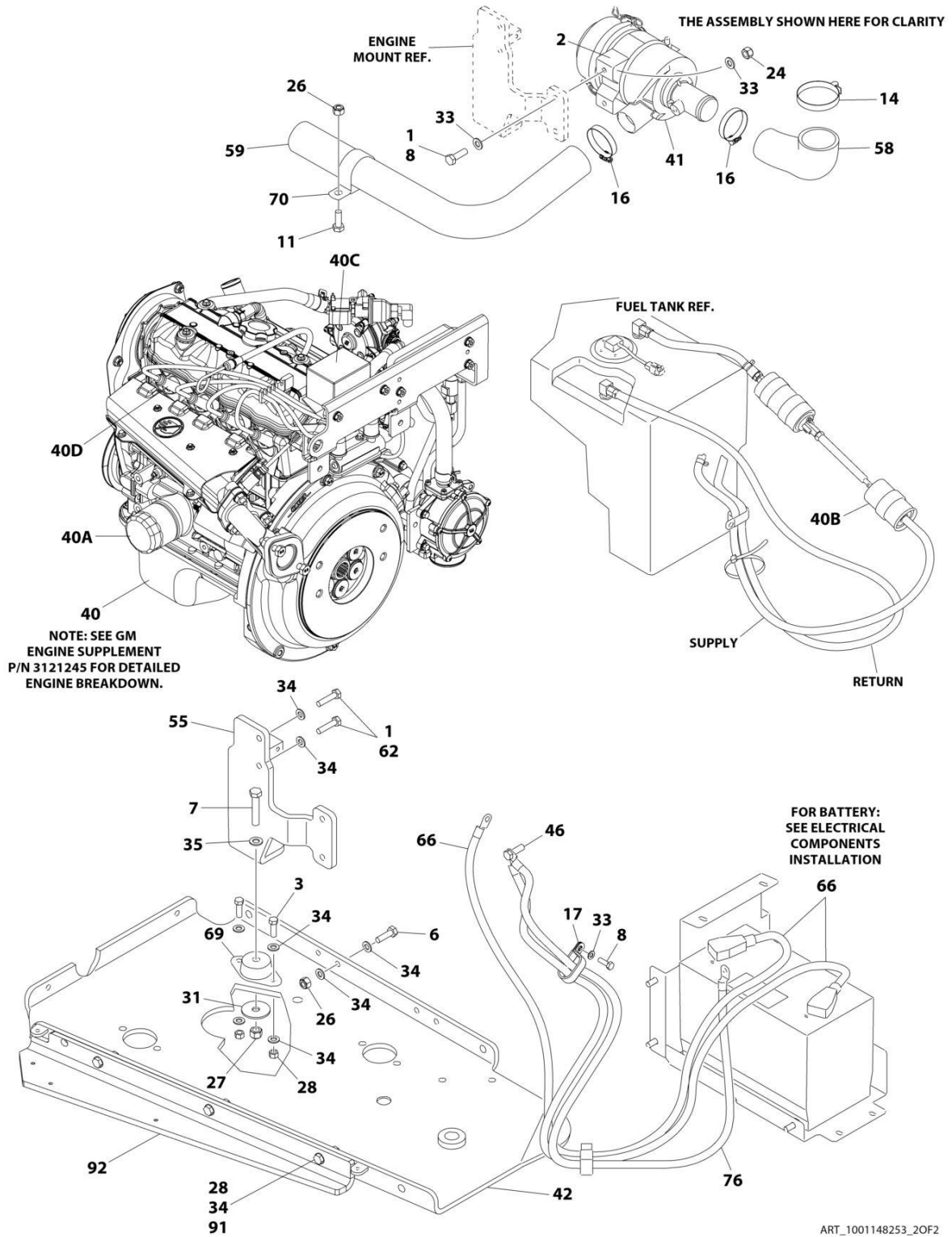
ITEM	PART NUMBER	QTY	DESCRIPTION	REV
	1001161433	Ref	KUBOTA ENGINE HOOD COMPONENTS (WITHOUT ARCTIC PACKAGE)	F
34	2080040	10	Blind Fastener	
35	1001137451	1	Panel, Engine Hood	
36	1001137452	1	Panel, Engine Hood Mount	

## SECTION 2 - TURNTABLE

**FIGURE 2-38. GM ENGINE HOOD COMPONENTS (WITH ARCTIC PACKAGE)**

ITEM	PART NUMBER	QTY	DESCRIPTION	REV
	1001148256	Ref	GM ENGINE HOOD COMPONENTS (WITH ARCTIC PACKAGE)	G
6	0760612	10	Bolt M6 x 25	
12	2080040	7	Fastener, Huck	
16	3290605	10	Nut M6	
20	4740362	10	Washer, Fender	
21	4811700	10	Washer M6	
39	1001137337	1	Vent	
41	1001137369	1	Plate	
42	1001137397	1	Shield, Rubber	
43	1001137401	1	Shield, Rubber	
44	1001137402	1	Shield, Rubber	

# SECTION 3 - ENGINE



ART\_1001148253\_2OF2





## SECTION 3 - ENGINE

**FIGURE 3-12. KUBOTA ENGINE WITH 4000W GENERATOR AND PUMP SUB-ASSEMBLY (SN 0300200802 through 0300253888)**

ITEM	PART NUMBER	QTY	DESCRIPTION	REV
	1001147469	Ref	KUBOTA ENGINE WITH 4000W GENERATOR AND PUMP SUB-ASSEMBLY	C
1	0641813	2	Bolt 1/2 x 1-5/8	
2	4891600	2	Washer 3/8	
3	4891800	2	Washer 1/2	
4	83191040	2	Capscrew M10 x 30	
5	1001117028	1	Axial Pump Assembly (See AXIAL PUMP ASSEMBLY for Breakdown)	
6	1001117029	1	Gear Pump Assembly (See GEAR PUMP ASSEMBLY for Breakdown)	
7	1001147468	NLA	Kubota Engine Assembly with 4000W Generator (Use p/n 1001238002) (See KUBOTA ENGINE ASSEMBLY WITH 4000W GENERATOR for Breakdown)	
8	3790152	1	O-Ring	
9	0100011	AR	Compound, Locking	

## SECTION 3 - ENGINE

ITEM	PART NUMBER	QTY	DESCRIPTION	REV
46	1001118529	1	Hose, Lower Radiator	
47	1001118530	1	Hose, Upper Radiator	
48	1001118531	1	Radiator	
48	70002899	1	Cap, Radiator	
49	1001118532	1	Mount, Radiator	
50	1001118538	1	Fan	
51	1001118539	1	Spacer, Fan	
52	1001118540	1	Bracket, Coolant Overflow Tank	
53	1001118542	1	Plate, LH Front Engine	
54	1001118543	1	Plate, RH Front Engine	
55	1001118579	1	Actuator, Kubota Governor	
55	7023134	1	Gasket, Mounting	
56	1001118580	1	Sensor, Speed	
57	1001118582	1	Actuator, Kubota Throttle	
58	1001118594	1	Battery Cable Kit	
58	4461231	1	Battery Terminal and Red Cover Only (No Cable)	
58	4461232	1	Battery Terminal and Black Cover Only (No Cable)	
59	1001118638	1	Harness, Engine (Not Shown - See Separate Breakdown in ELECTRICAL SECTION)	
60	1001118675	1	Flywheel Housing/Coupling Kit	
60	See Note	NSS	Coupling Assembly (Note: Use p/n 1001118675)	
60	See Note	NSS	Housing (Note: Use p/n 1001118675)	
60	See Note	NSS	Bolt Kit (Note: Use p/n 1001118675)	
61	1001118746	8	Bolt M10 x 25	
62	1001118878	4	Bolt M6 x 55	
63	1001118881	1	Clevis, Actuator	
64	1001118925	1	End, Rod with Bearing	
65	1001119698	1	Gusset, Radiator	
66	1001120087	1	Pad, Wear	
67	1001120090	3	Shim	
68	1001120307	4	Mount, Motor	
69	1001120450	1	Cable, Ground	
70	1001121531	1	Insulation, Muffler	
71	1001123018	1	Plate, Seal Support	
72	1001128214	1	Bracket, Air Filter	
73	1001128888	1	Spacer	
74	1001147365	1	Seal, Radiator Hood	
75	1001147642	1	Plate, Seal Support	
76	1001147643	1	Plate, Seal Support	
77	1001149379	1	Bracket	
78		Ref	Muffler Options:	
78	1001118547	NLA	Standard (Use p/n 1001151187)	
78	1001120007	NLA	Catalytic (Use p/n 1001151188)	
79	1001170981	1	Indicator, Air Intake Restriction	
80	1001237999	1	Kubota Engine Components (See Separate Breakdown in this Section)	

## SECTION 3 - ENGINE

**FIGURE 3-18. KUBOTA ENGINE COMPONENTS (SN 0300200802 through 0300253888)**

ITEM	PART NUMBER	QTY	DESCRIPTION	REV
	1001157966	Ref	KUBOTA ENGINE COMPONENTS	B
1	7017954	22	Bolt, Oil Pan (Not Shown)	
2	7023154	1	Plug, Drain (Not Shown)	
3	70002315	1	Gasket, Oil Pan (Not Shown)	
4	7017911	14	Bolt, Cylinder Head (Not Shown)	
5	7023156	1	Gasket, Gear Case (Not Shown)	
6	7023157	1	Seal, Oil (Not Shown)	
7	7023132	1	Gasket, Valve Cover	
8	70003060	1	Breather, Comp Valve	
9	70003061	1	Cover, Breather	
10	7017934	4	Screw, Pan Head	
11	70002316	1	Pipe, Water Return (Not Shown)	
12	70002317	1	Tube, Breather (Not Shown)	
13	70002318	1	Plug, Oil Fill	
14	70004311	1	O-Ring, Oil Fill Plug	
15	70004395	1	Filter, Oil	
16	7023160	1	Dipstick	
17	70003062	1	Tube, Dipstick	
18	70001934	1	Flywheel Assembly	
19	70001140	1	Gear, Ring	
20	70001935	6	Bolt, Flywheel	
21	7025479	NLA	Solenoid, Stop (Use p/n 1001118579)	
22	7017945	1	Joint, Eye (Not Shown)	
23	7023162	1	Tube, Fuel Assembly (Not Shown)	
24	7023163	1	Tube, Fuel (Not Shown)	
25	7023164	1	Pump, Fuel Injection	
26	70002319	1	Shim .175mm	
27	70002320	1	Shim .200mm	
28	70002321	1	Shim .250mm	
29	70002322	1	Shim .300mm	
30	70002323	1	Shim .350mm	
31	7023136	1	Spring, Governor (Not Shown)	
32	7023165	1	Gasket, Governor (Not Shown)	
33	70004396	1	Plate Assembly, Control (Not Shown)	
34	70004397	6	Gasket, Speed Control Plate (Not Shown)	
35	70004399	3	Nozzle Holder Kit	
35	7023167	3	Gasket, Glow Plug	
35	7023168	3	Seal	
37	70004398	3	Plug, Glow (Not Shown)	
37	70004544	3	Cord, Glow Plug (Not Shown)	
38	70004399	1	Kit, Nozzle Holder	
39	7023139	1	Fuel Pump Assembly	
40	70004400	1	Gasket, Fuel Pump	
41	7023141	1	V-Belt	
42	7017955	1	Alternator	
43	7023144	1	Starter	
44	7017901	1	Switch, Oil	
45	70003064	1	Sensor, Water Temperature	
46	70003063	1	Seal, Water Temperature Sensor	
47	7023145	1	Gasket, Water Flange	





## SECTION 3 - ENGINE

**FIGURE 3-26. 3500W GENERATOR INSTALLATION - GM ENGINE MACHINES 220V/60HZ  
GENERATOR (ANSI EXPORT, CHINA AND CSA SPECS)**

ITEM	PART NUMBER	QTY	DESCRIPTION	REV
	1001121721	Ref	3500W GENERATOR INSTALLATION - GM ENGINE MACHINES 220V/60HZ GENERATOR (ANSI EXPORT, CHINA AND CSA SPECS)	D
1	0100011	AR	Compound, Locking	
2	0641506	1	Bolt 5/16-18 x 3/4	
3	0701012	1	Bolt M10 x 25	
4	0701018	2	Bolt M10 x 50	
5	0701219	2	Bolt M12 x 55	
6	0760505	5	Bolt M5 x 10	
7	0760612	2	Bolt M6 x 25	
8	2820031	AR	Heat Shrink	
9	3251102	1	Nameplate - Generator	
10	3290505	2	Nut M5	
11	3290605	2	Nut M6	
12	3291005	1	Nut M10	
13	3291205	2	Nut M12	
14	4060802	1	Guard, Switch	
15	4360336	1	Switch, Toggle	
16	4740397	1	Washer	
17	4811702	4	Washer M6	
18	4812000	2	Washer M10	
19	4812102	2	Washer M12	
20	4891500	1	Washer 5/16	
21	4922641	1	Harness, On/Off Switch	
22	1001119551	1	Mount, Generator	
23	1001119553	1	Arm, Adjustment	
24	1001119554	1	Support, Arm	
25	1001119588	1	Generator and Voltage Regulator Assembly	C
25A	1001100321	1	Generator	
25A	70000123	1	Armature with Slip Rings	
25A	7020109	4	Holder, Brush	
25A	7020108	4	Brush	
25A	7012513	4	Cap, Brush Holder	
25A	7012514	1	Fan	
25A	7020190	2	Bearing	
25A	7020110	1	End Bell, Front	
25A	7020111	1	End Bell, Rear	
25A	70003069	1	Cord, Power	
25A	70003068	1	Pulley	
25A	7027887	1	Key, Woodruff	
25B	70002238	1	Regulator, Voltage	
26	1001119634	1	Control Box Assembly	B
26	70000126	1	Circuit Breaker	
26	7020192	1	Voltmeter	
26	70000124	1	Receptacle, Double	
26	70000125	1	Receptacle, Single Twist Lock	
26	2920162	1	Lamp	
26	70002237	1	Diode	
26	3520028	1	Plug, Hole	



## SECTION 4 - BOOM

**FIGURE 4-1. BOOM AND CYLINDERS INSTALLATION - WITHOUT ARCTIC PACKAGE**

ITEM	PART NUMBER	QTY	DESCRIPTION	REV
	1001115766	Ref	BOOM AND CYLINDERS INSTALLATION - WITHOUT ARCTIC PACKAGE	D
1	0100011	AR	Compound, Locking	
2	0761011	1	Bolt M10 x 22	
3	0761012	1	Bolt M10 x 25	
4	0761014	2	Bolt M10 x 30	
5	0761015	2	Bolt M10 x 35	
6	0761212	2	Bolt M12 x 25	
7	0761215	2	Bolt M12 x 35	
8	3291005	3	Nut M10	
9	3291205	1	Nut M12	
10	3422576	2	Pin	
11	3422582	1	Pin	
12	3422709	1	Pin	
13	3422790	1	Pin	
14	3422792	1	Pin	
15	3422814	1	Pin	
16	3841143	4	Keeper, Pin	
17	3841203	4	Keeper, Pin	
18	4812000	4	Washer M10	
19	5251010	3	Bolt M10 x 20	
20	1001120976	1	Master Cylinder Assembly (See CYLINDER SECTION for Breakdown)	
21	1001125235	1	Rest, Boom	
22	1001109528	1	Pin	
23	1001112607	2	Pad, Boom Rest	
24	1001115672	1	Tower Boom Assembly (See TOWER BOOM ASSEMBLY for Breakdown)	
25	1001117375	1	Level Cylinder Assembly - Platform (Slave) (See CYLINDER SECTION for Breakdown) <b>(SN 0300200802 through 0300238046)</b>	
25	1001225990	1	Level Cylinder Assembly - Platform (Slave) (See CYLINDER SECTION for Breakdown) <b>(SN 0300238046 through 0300272222, Except SN 0300272191 through 0300272192)</b>	
26	1001117640	1	Lift Cylinder Assembly - Main Boom (See CYLINDER SECTION for Breakdown)	
27	1001117884	1	Jib Assembly (See JIB ASSEMBLY - WITHOUT ARCTIC PACKAGE for Breakdown)	
28	1001117885	1	Main Boom Assembly (See MAIN BOOM ASSEMBLY for Breakdown)	

## SECTION 4 - BOOM

### FIGURE 4-6. JIB ASSEMBLY - WITH ARCTIC PACKAGE

ITEM	PART NUMBER	QTY	DESCRIPTION	REV
	1001119370	Ref	JIB ASSEMBLY - WITH ARCTIC PACKAGE	C
1	1001119369	1	Platform Rotator Assembly (See PLATFORM ROTATOR ASSEMBLY - WITH ARCTIC PACKAGE for Breakdown)	
2	0700818	2	Bolt M8 x 50	
3	0701018	4	Bolt M10 x 50	
4	0701020	2	Bolt M10 x 60	
5	0961951	2	Bushing	
6	0962292	2	Bushing	
7	3290805	4	Nut M8	
8	3291005	6	Nut M10	
9	3340860	4	Pad, Rubber	
10	3422791	2	Pin	
11	3572551	2	Channel, Hose Carrier	
12	4811902	6	Washer M8	
13	1001116550	2	Pin	
14	1001123004	1	Lift Cylinder Assembly - Jib (See CYLINDER SECTION for Breakdown)	
15	1001118394	1	Pivot, Jib	
16	1001118482	1	Link, Jib (Top)	
17	1001118516	2	Link, Jib (Bottom) (SN 0300200802 through 0300215034)	
17	1001094670	2	Link, Jib (Bottom) (SN 0300215035 through 0300272222, Except SN 0300272191 through 0300272192)	

## SECTION 4 - BOOM

**FIGURE 4-11. PLATFORM SUPPORT INSTALLATION - WITH 1 CELL LSS**

ITEM	PART NUMBER	QTY	DESCRIPTION	REV
	1001217227	Ref	PLATFORM SUPPORT INSTALLATION - WITH 1 CELL LSS	E
1	0100011	AR	Compound, Locking	
2	0681608	6	Bolt 3/8 x 1	
4	0761014	4	Bolt M10 x 30	
5	0761015	8	Bolt M10 x 35 (SN 0300200802 through 0300239703)	
5	0761215	8	Bolt M12 x 35 (SN 0300239703 through 0300272222, Except SN 0300272191 through 0300272192)	
6	3291001	4	Nut M10	
7	3291005	AR	Nut M10	
8	3291201	3	Nut M12	
9	3841143	4	Keeper, Pin	
12	4812000	AR	Washer M10	
13	4812100	5	Washer M12	
14	4891600	6	Washer 3/8	
15	5251008	2	Bolt M10 x 16	
16	5251016	2	Bolt M10 x 40	
18	1001098828	2	Bolt M12 x 70 Grade 10.9	
20	1001172663	1	Gauge, Load Sensing	
21	1001188622	1	Screw	
22	1001188844	1	Bolt M12 x 35	
23	1001190985	1	Pad, Wear	
24	1001200491	1	Pad, Wear	
25	1001216630	2	Decal - Tie Down/No Lift	
26	1001217228	1	Platform Support	
27	1001217242	2	Pin	
28	1001217243	2	Pin	
29	1001217244	2	Link	
30	1001217250	1	Plate (SN 0300200802 through 0300235537)	
31	1001217253	8	Bearing, Thrust	
32	1001217254	4	Bearing, Thrust	
33	1001217267	1	Support	
34	0760610	AR	Bolt M6 x 20	
35	1320136	1	Clamp	
36	3290605	1	Nut M6	
37	4811700	2	Washer M6 (SN 0300200802 through 0300235537)	
38	4060804	14.4 in/ 36.5cm	Shield	
39	4060805	15.9 in/ 40.5 cm	Shield	
40	4811702	3	Washer M6 (SN 0300235538 through 0300272222, Except SN 0300272191 through 0300272192)	
41	1001228627	1	Cover (SN 0300235538 through 0300272222, Except SN 0300272191 through 0300272192)	
42	3291205	AR	Nut M12 (SN 0300239703 through 0300272222, Except SN 0300272191 through 0300272192)	
43	5241200	AR	Washer M12 (SN 0300239703 through 0300272222, Except SN 0300272191 through 0300272192)	
44	0760606	AR	Bolt M6 x 12 (SN 0300239703 through 0300272222, Except SN 0300272191 through 0300272192)	

**SECTION 5 - PLATFORM**

# SECTION 5 - PLATFORM

**FIGURE 5-5. PLATFORM ASSEMBLY - 30IN X 3FT (76CM X .91M) - DROP BAR ENTRY**

ITEM	PART NUMBER	QTY	DESCRIPTION	REV
	1001228215	Ref	PLATFORM ASSEMBLY	A
	See Note	Ref	Note: Platform and Mesh must be ordered separately for Platforms with Mesh. See SPECIAL OPTIONS SECTION for Mesh Installations.	
	See Note	Ref	Note: Replacement Decals Must be Ordered Separately - See DECAL SECTION.	
1	0100011	AR	Compound, Locking	
2	0641418	2	Bolt 1/4 x 2-1/4	
3	0961845	2	Bushing	
4	3300151	2	Nut 1/4	
5	3520072	6	Cap, Plug	
6	3520198	2	Cap, Plug	
7	4711400	4	Washer 1/4	
8	1001140429	1	Decal - Drop Bar	
9	1001226872	1	Bar, Drop	
10	See Note	NSS	Platform (Note: Not Available - Purchase Platform Assembly)	

## SECTION 5 - PLATFORM

**FIGURE 5-10. CONSOLE AND FOOTSWITCH INSTALLATION WITH 1 CELL LSS - DIESEL MACHINES WITH SKYGUARD (SN 0300257079 through 0300272222)**

ITEM	PART NUMBER	QTY	DESCRIPTION	REV
	1001242838	Ref	CONSOLE AND FOOTSWITCH INSTALLATION WITH 1 CELL LSS - DIESEL MACHINES WITH SKYGUARD	A
1	0760610	4	Bolt M6 x 20	
2	0760614	3	Bolt M6 x 30	
3	0761015	4	Bolt M10 x 35	
4	3290405	2	Nut M4	
5	3290605	7	Nut M6	
6	3291005	4	Nut M10	
7	3380434	1	Panel, Pedestal	
8	4461012	1	Receptacle, 12V	
9	4740362	7	Washer 1/4	
10	4751400	4	Washer 1/4	
11	4811400	1	Washer M4	
12	4812000	8	Washer M10	
13	1001097244	2	Capscrew M4 x 12	
14	1001242844	1	Console Box Assembly with 1 CELL LSS	
14A	1001117174	1	Footswitch Assembly	B
14A	1001117172	1	Footswitch Less Cable	
14A	70002902	1	Block, Contact	
14A	70002903	1	Gasket	
14A	70002905	1	Cover	
14A	70002904	1	Bolt Replacement Kit	
14A	1060918	7.5 ft/ 2.3m	Cable, Electrical - 18/3	
14A	4460071	1	Connector, Strain Relief	
14A	4460226	2	Socket, Female	
14A	4460464	1	Pin, Male	

CLICK HERE TO **DOWNLOAD** THE COMPLETE MANUAL

- Thank you very much for reading the preview of the manual.
- You can download the complete manual from: [www.heydownloads.com](http://www.heydownloads.com) by clicking the link below



- Please note: If there is no response to CLICKING the link, please download this PDF first and then click on it.

CLICK HERE TO **DOWNLOAD** THE COMPLETE MANUAL

## SECTION 5 - PLATFORM

**FIGURE 5-15. CONSOLE ASSEMBLY - WITHOUT SKYGUARD (SN 0300200802 through 0300219869)**

ITEM	PART NUMBER	QTY	DESCRIPTION	REV
	1001166667	Ref	CONSOLE ASSEMBLY - WITHOUT SKYGUARD (SN 0300200802 through 0300219869)	C
1	0100009	AR	Sealant	
2	0100048	AR	Grease, Dielectric	
3	0100081	AR	Adhesive	
4	0140011	1	Alarm	
5	0641404	4	Bolt 1/4-20 x 1/2	
6	0700617	4	Bolt M6 x 45	
7	0861441	1	Box, Console (See Items 103-106 for Breakdown)	
8	1671176	1	Bezel	
9	1702565	1	Decal - Drive and Steer	
10	1702566	1	Decal - Lift and Swing	
11	1702567	1	Decal - Function Speed	
12	1702676	1	Decal - Horn	
13	1704260	1	Decal - EMS	
14	2560136	1	Handle, Knob	
15	2920154	1	Panel, LED	
16	3311005	2	Nut #10-24	
17	3520028	3	Plug, Hole	
18	3790012	8	O-Ring	
19	3911018	2	Bolt #10-24 x 1-1/8	
20	4360387	1	Switch, Pushbutton	
21	4360407	1	Controller, Speed	
21	4460224	1	Receptacle, Female - 6 Position	
21	4460226	1	Socket, Female	
21	See Note	NSS	Gasket "Top Hat" (Included with Switch) (Note: Not Available - Purchase Complete Controller)	
21	70003784	1	Seal	
22	4360475	1	Switch, Emergency Stop	
22	7020175	1	Cap, Red	
22A	7020176	1	Contact Block	
23	4360476	1	Block, Contact	
24	4460234	3	Base, Mounting	
25	4460428	2	Connector, Strain Relief	
26	4460466	7	Seal, Plug	
27	4460470	1	Nut	
28	4460471	1	Washer	
29	4460488	1	Base, Mounting	
30	4460708	1	Receptacle, Female - 15 Position	
31	4460933	1	Plug, Male - 12 Position	
32	4740397	8	Washer	
33	4751400	8	Washer 1/4	
34	8305919	4	Retainer M6	
35	1001107952	1	Decal - Display	
36	1001110434	1	Plug, Hole	
37	1001117174	1	Footswitch Assembly (Not Shown - See CONSOLE AND FOOTSWITCH INSTALLATION for Breakdown)	
38	1001118412	1	Module, Platform (Note: Re-calibration Required when Replaced)	
39	1001118415	1	Platform Console Harness Assembly (Not Shown - See ELECTRICAL SECTION for Breakdown)	



## SECTION 5 - PLATFORM

**FIGURE 5-20. CONSOLE ASSEMBLY WITH 1 CELL LSS - WITH SKYGUARD (SN 0300257079 through 030027222)**

ITEM	PART NUMBER	QTY	DESCRIPTION	REV
	1001242844	Ref	CONSOLE ASSEMBLY WITH 1 CELL LSS - WITH SKYGUARD	C
1	0100009	AR	Sealant	
2	0100048	AR	Grease, Dielectric	
3	0100035	1	Compound, Locking	
4	0140011	1	Alarm	
5	0641404	4	Bolt 1/4 x 1/2	
6	0700617	4	Bolt M6 x 45	
7	1671176	1	Bezel	
8	1702565	1	Decal - Drive and Steer	
9	1702566	1	Decal - Lift and Swing	
10	1702567	1	Decal - Function Speed	
11	1702676	1	Decal - Horn	
12	1704260	1	Decal - EMS	
13	2560136	1	Handle, Knob	
14	2920028	1	Light, Indicator	
15	2920029	1	Bulb, Light	
16	2920154	1	Panel, LED	
17	3311005	2	Nut #10-24	
18	3520028	4	Plug, Hole	
19	3520054	1	Plug	
20	3790012	8	O-Ring	
21	3900349	8	Capscrew M2.5 x 8	
22	3911018	2	Screw #10 x 1-1/8	
23	4240032	AR	Tie-Strap (Not Shown)	
24	4360387	2	Switch, Push Button	
25	4360407	1	Controller, Speed	
25	4460224	1	Receptacle, Female - 6 Position	
25	4460226	1	Socket, Female	
25	See Note	NSS	Gasket "Top Hat" (Included with Switch) (Note: Not Available - Purchase Complete Controller)	
25	70003784	1	Seal	
26	4360475	1	Switch, Emergency Stop	
26	7020175	1	Cap, Red	
26A	7020176	1	Contact Block	
27	4360476	1	Block, Contact	
28	4460234	3	Base, Mounting	
29	4460428	2	Connector, Strain Relief	
30	4460466	7	Seal, Plug	
31	4460470	1	Nut	
32	4460471	1	Washer	
33	4460488	2	Base, Mounting	
34	4460708	1	Receptacle, Female - 15 Position	
35	4460933	1	Plug, Male - 12 Position	
36	4740397	8	Washer	
37	4751400	8	Washer 1/4	
38	8305919	4	Retainer M6	
39	1001107952	1	Decal - Display	
40	1001117174	1	Footswitch Assembly (Not Shown - See Separate Breakdown in this Section)	

**SECTION 5 - PLATFORM**

**FIGURE 5-23. WORKLIGHTS INSTALLATION (OPTIONAL)**

ITEM	PART NUMBER	QTY	DESCRIPTION	REV
	1001120466	Ref	WORKLIGHTS INSTALLATION (OPTIONAL)	A
1	2080040	4	Fastener, Huck	
2	3311005	8	Nut #10-24	
3	3931010	8	Capscrew #10-24 x 5/8	
4	4460428	1	Connector, Strain Relief	
5	4751000	8	Washer #10	
6	1001120474	2	Worklight Assembly	
7	1001120476	2	Plate, Mounting	
8	1001120484	1	Harness, Worklight	
9	4240099	AR	Tie-Strap	
10	4460464	4	Pin, Male Deutsch 16Ga	
11	4460932	1	Receptacle, Female - 4 Position	

**SECTION 5 - PLATFORM**

**FIGURE 5-28. CROSS RAIL INSTALLATION**

ITEM	PART NUMBER	QTY	DESCRIPTION	REV
	1001182138	Ref	CROSS RAIL INSTALLATION	A
1	0100071	AR	Compound, Locking	
2	0641414	2	Bolt 1/4 x 1-3/4	
3	3300430	2	Nut 1/4	
4	3520182	2	Plug	
5	4711400	2	Washer 1/4	
6	4751400	4	Washer 1/4	
7	1001191708	1	Bar	

## SECTION 6 - CYLINDER

**FIGURE 6-3. LEVEL (PLATFORM SLAVE) CYLINDER ASSEMBLY (SN 0300238046 through 0300272222)**

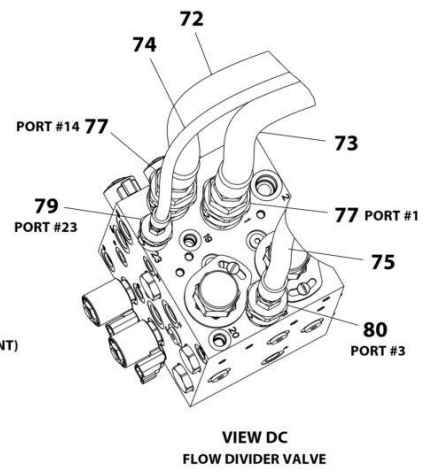
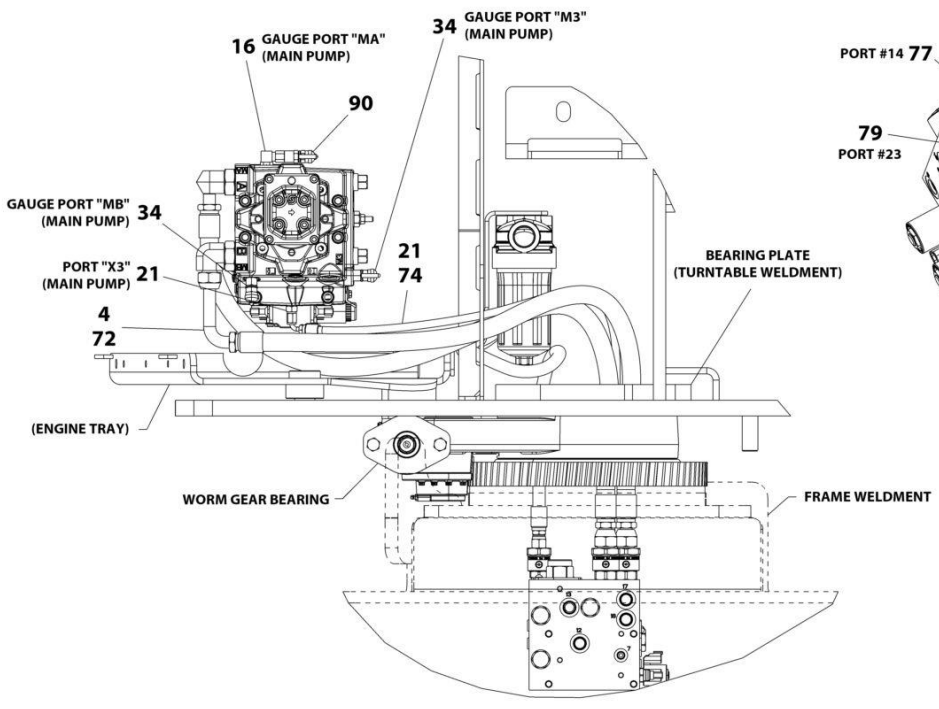
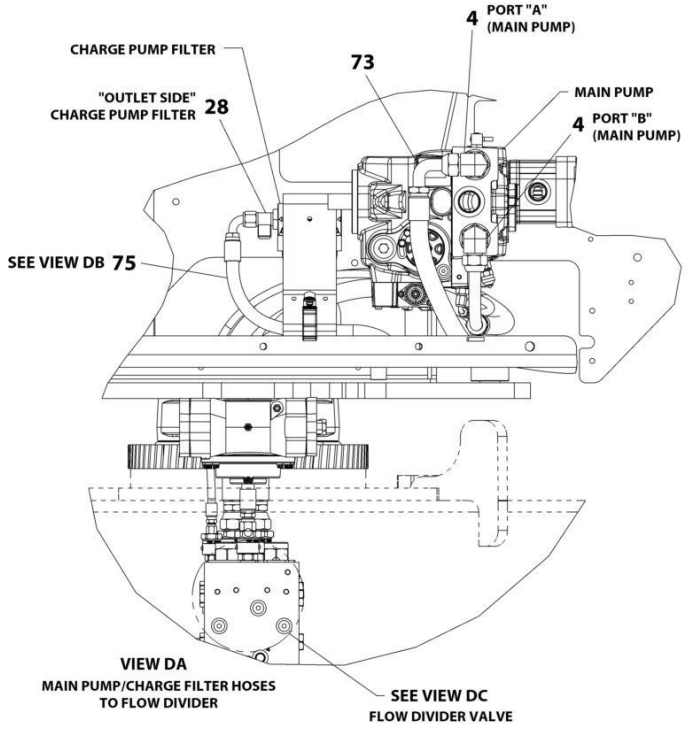
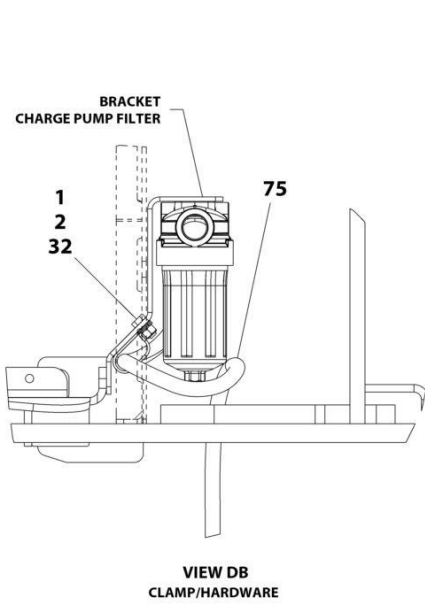
ITEM	PART NUMBER	QTY	DESCRIPTION	REV
	1001225990	Ref	LEVEL (PLATFORM SLAVE) CYLINDER ASSEMBLY	A
1	70003131	1	Barrel	
2	70003132	1	Rod	
3	70003085	1	Head	
4	See Note	NSS	Wiper (Note: Use Item 28)	
5	70002366	1	Ring, Retaining	
6	See Note	NSS	Seal, Rod (Note: Use Item 28)	
7	See Note	NSS	Ring, Back-up (Note: Use Item 28)	
8	70005695	1	Bearing	
9	See Note	NSS	O-Ring (Note: Use Item 28)	
10	See Note	NSS	Ring, Back-up (Note: Use Item 28)	
11	See Note	NSS	O-Ring (Note: Use Item 28)	
12	70003133	1	Piston	
13	See Note	NSS	Seal, Piston (Note: Use Item 28)	
14	See Note	NSS	Ring, Wear (Note: Use Item 28)	
15	See Note	NSS	Ring, Wear (Note: Use Item 28)	
16	70002335	1	Nut	
17	0961951	4	Bushing, Garmax	
18	70002413	1	Cartridge, Valve	
18	2900770	1	Seal Kit - 70002413 Valve	
19	1001168210	1	Cartridge, Valve	
19	2900770	1	Seal Kit - 1001168210 Valve	
20	2220883	4	Plug	
21	See Note	NSS	O-Ring (Note: Not Available - Purchase Locally)	
22	70005973	1	Valve Seat	
23	70005974	1	O-Ring	
24	70006353	1	Steel Ball	
28	70003134	1	Seal Kit (Includes Items 4, 6, 7, 9, 10, 11, 13, 14 & 15)	
100		Ref	REPAIR TOOLS (NOT SHOWN)	
100	70003089	1	Press, Wiper	
100	70003090	1	Press, Bushing (Use with Rod Bearing)	
100	70003091	1	Tool, Bushing Removal (Use with Rod Bearing)	
100	70003092	1	Tool, Head Seal Protection	
100	70003081	1	Tool, Piston Seal Protection	
100	70003093	1	Press, Bushing (Use with Pin Mounting Bushings)	
100	70003094	1	Tool, Bushing Removal (Use with Pin Mounting Bushings)	

## SECTION 6 - CYLINDER

### FIGURE 6-8. STEER CYLINDER ASSEMBLY

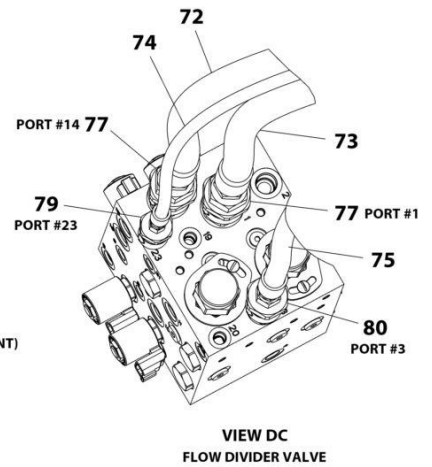
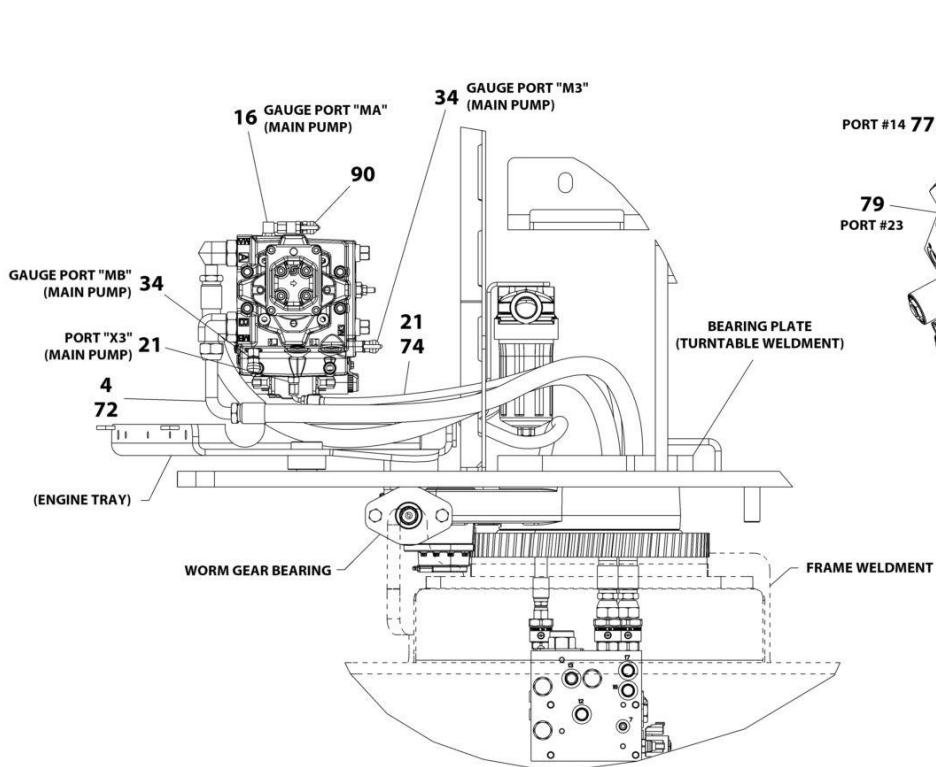
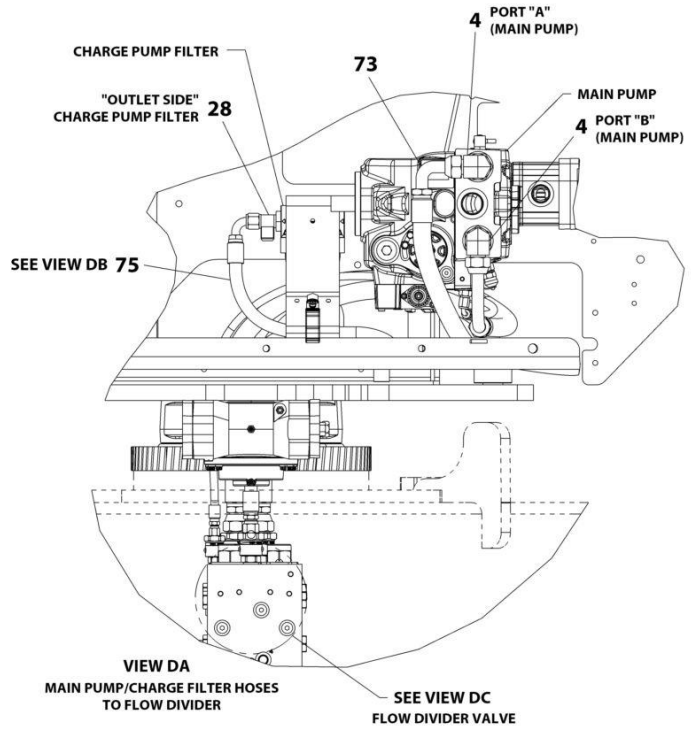
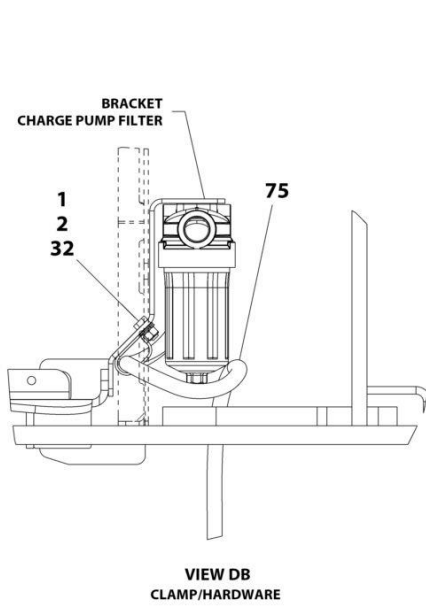
ITEM	PART NUMBER	QTY	DESCRIPTION	REV
	1001116788	Ref	STEER CYLINDER ASSEMBLY	C
1	70003095	1	Barrel	
2	70003096	1	Rod	
3	70003098	2	Head	
4	See Note	NSS	Wiper (Note: Use Item 15)	
5	See Note	NSS	Seal, Rod (Note: Use Item 15)	
6	70002337	2	Bearing	
7	See Note	NSS	O-Ring (Note: Use Item 15)	
8	See Note	NSS	Ring, Back-up (Note: Use Item 15)	
9	See Note	NSS	O-Ring (Note: Use Item 15)	
10	70003097	1	Piston	
11	See Note	NSS	Seal, Piston (Note: Use Item 15)	
12	See Note	NSS	Ring, Wear (Note: Use Item 15)	
13	70002380	4	Bushing, Garmax	
15	70003099	1	Seal Kit (Includes Items 4, 5, 7, 8, 9, 11 & 12)	
100		Ref	REPAIR TOOLS (NOT SHOWN)	
100	70003077	1	Press, Wiper	
100	70003078	1	Press, Bushing (Use with Rod Bearing)	
100	70003079	1	Tool, Bushing Removal (Use with Rod Bearing)	
100	70003080	1	Tool, Head Seal Protection	
100	70003100	1	Tool, Piston Seal Protection	
100	70003101	1	Press, Bushing (Use with Pin Mounting Bushings)	
100	70003102	1	Tool, Bushing Removal (Use with Pin Mounting Bushings)	

# SECTION 7 - HYDRAULIC



ART\_1001115785\_60F8

# SECTION 7 - HYDRAULIC



ART\_1001120430\_60F8

## SECTION 8 - ELECTRICAL

**FIGURE 8-2. AC BOX AT PLATFORM INSTALLATION - LOCALLY SUPPLIED COMPONENTS (ANSI EXPORT, AUSTRALIAN AND CHINA SPECS)**

ITEM	PART NUMBER	QTY	DESCRIPTION	REV
	1001119870	Ref	AC BOX AT PLATFORM INSTALLATION - LOCALLY SUPPLIED COMPONENTS (ANSI EXPORT, AUSTRALIAN AND CHINA SPECS)	A
1	3251243	1	Decal - 120V-60Hz	

## SECTION 8 - ELECTRICAL

**FIGURE 8-7. AC BOX AT PLATFORM INSTALLATION - 220V (CSA SPEC)**

ITEM	PART NUMBER	QTY	DESCRIPTION	REV
	1001119871	Ref	AC BOX AT PLATFORM INSTALLATION - 220V (CSA SPEC)	A
1	0860038	1	Box, Switch	
2	3252507	2	Decal - 220V-50/60Hz	
3	3960422	1	Gasket	
4	4060092	1	Shield, Weather	
5	4460071	1	Connector, Strain Relief	
6	4460125	1	Receptacle	
7	4460233	1	Plug, Male	
8	4460315	3	Terminal, Spade	

## SECTION 8 - ELECTRICAL

**FIGURE 8-12. AC BOX AT PLATFORM INSTALLATION - 220V CEE7 POST GROUND 2 X 4 BOX WITHOUT 4000W GENERATOR (CE SPEC)**

ITEM	PART NUMBER	QTY	DESCRIPTION	REV
	1001119872	Ref	AC BOX AT PLATFORM INSTALLATION - 220V CEE7 POST GROUND 2 X 4 BOX WITHOUT 4000W GENERATOR (CE SPEC)	C
1	0275452	1	Receptacle Box Kit (See RECEPTACLE BOX KIT - 220V CEE7 POST GROUND 2 X 4 BOX (CE SPEC) for Breakdown)	
2	0700408	4	Bolt M4 x 16	
3	0700618	2	Bolt M6 x 50	
4	0760610	2	Bolt M6 x 20	
5	1001193018	1	Bracket	
6	1320043	1	Clamp	
7	2902549	1	Breaker Box Kit (See BREAKER BOX KIT (CE SPEC) for Breakdown)	
8	3252507	2	Decal - 220V-50/60Hz	
9	3290405	4	Nut M4	
10	3290605	4	Nut M6	
11	4460968	1	Connector, Strain Relief (SN 0300200802 through 0200222942)	
11	4460662	1	Connector, Strain Relief (SN 0300222943 through 0300272222, Except SN 0300272191 through 0300272192)	
12	4811400	8	Washer M4	
13	4811700	8	Washer M6	

## SECTION 8 - ELECTRICAL

**FIGURE 8-17. AC BOX AT PLATFORM INSTALLATION - 220V AFSINT 107 KEYED GROUND WITH 4000W GENERATOR (CE SPECS)**

ITEM	PART NUMBER	QTY	DESCRIPTION	REV
	1001194200	Ref	AC BOX AT PLATFORM INSTALLATION - 220V AFSINT 107 KEYED GROUND WITH 4000W GENERATOR (CE SPECS)	B
1	0100020	AR	Sealant, Pipe	
2	0641416	2	Bolt 1/4 x 2	
3	0700408	4	Bolt M4 x 16	
4	0861731	1	Box, Switch	
5	3251242	1	Decal - 240V-50Hz	
6	3290405	4	Nut M4	
7	3311405	2	Nut 1/4	
8	4460662	1	Connector, Strain Relief	
9	4461246	1	Receptacle	
10	4711400	4	Washer 1/4	
11	4811400	8	Washer M4	
12	1001193018	1	Bracket, AC Receptacle	
13	1001205958	3	Terminal (Not Shown)	

## SECTION 8 - ELECTRICAL

**FIGURE 8-22. AC POWER TO PLATFORM CABLE - TOWER BOOM (WITHOUT ARCTIC PACKAGE)  
(50HZ)**

ITEM	PART NUMBER	QTY	DESCRIPTION	REV
	1001119139	Ref	AC POWER TO PLATFORM CABLE - TOWER BOOM (WITHOUT ARCTIC PACKAGE) (50Hz)	B
1	1001120205	1	Connector, Female	
2	4923505	1	Cable, 14/3	



## SECTION 8 - ELECTRICAL

**FIGURE 8-29. BOOM CABLES AND CLAMPS INSTALLATION - 4000W, 50HZ - WITH ARCTIC PACKAGE**

ITEM	PART NUMBER	QTY	DESCRIPTION	REV
	1001154291	Ref	BOOM CABLES AND CLAMPS INSTALLATION - 4000W, 50HZ - WITH ARCTIC PACKAGE	B
1	0100011	AR	Compound, Locking	
2	0100081	AR	Adhesive	
3	0760621	4	Bolt M6 x 65	
4	0700820	2	Bolt M8 x 60	
5	0700829	4	Bolt M8 x 120	
7	0761012	1	Bolt M10 x 25	
8	1320130	1	Clamp	
9	1670899	2	Cover, Switch	
10	3290405	6	Nut M4	
11	3290605	4	Nut M6	
12	3290805	6	Nut M8	
13	3291005	2	Nut M10	
14	3340939	4	Pad, Rubber	
15	0761014	1	Bolt M10 x 30	
16	4031510	2	Capscrew M4 x 30	
17	4031512	4	Capscrew M4 x 40	
18	4060808	1.8 ft /55cm	Flex-Trim	
19	4240156	1	Strap, Cinch	
20	4240018	AR	Tie-Strap	
21	4460865	1	Connector - 19 Position	
22	4460866	1	Connector - 19 Position	
23	4811400	2	Washer M4	
24	4811900	8	Washer M8	
25	4812000	4	Washer M10	
26	5260800	6	Nut M8 Class 10	
27	5281920	6	Capscrew, Cup Point M8 x 80	
28	1320263	1	Clamp	
29	1001106757	2	Plate, Clamp	
30	1001107152	1	Plate, Shield	
31	1001116433	2	Guard, Hose	
32	1001118274	6	Nut M8	
33	1001118292	1	Harness, Tower Boom (See BOOM HARNESS - LIMIT SWITCHES AND UPRIGHT VALVE for Breakdown)	
34	1001118592	2	Plate, Hose Clamp	
35	1001118593	2	Plate, Hose Clamp	
36	1001119953	1	Harness Assembly - Main Boom (See GROUND TO PLATFORM CABLE - MAIN BOOM (WITH ARCTIC PACKAGE) for Breakdown)	
37	1001119954	1	Harness Assembly - Tower Boom (See GROUND TO PLATFORM CABLE - TOWER BOOM (WITH ARCTIC PACKAGE) for Breakdown)	
38	1001119956	1	Cable, AC Tower Boom (See AC POWER TO PLATFORM CABLE - TOWER BOOM (WITH ARCTIC PACKAGE) (50Hz) for Breakdown)	
39	1001119955	1	Cable, AC Main Boom (See AC POWER TO PLATFORM CABLE - MAIN BOOM (WITH ARCTIC PACKAGE) (50Hz) for Breakdown)	
40	1001119195	2	Plate, Hose Clamp	
41	1001119197	4	Clamp, Hose	



## SECTION 8 - ELECTRICAL

### FIGURE 8-36. CHASSIS HARNESS ASSEMBLY

ITEM	PART NUMBER	QTY	DESCRIPTION	REV
	1001188093	Ref	CHASSIS HARNESS ASSEMBLY	D
1	4460873	1	Connector - 35 Position	
1	4460871	19	Socket, Female	
1	4460905	16	Seal, Plug	
2	4460878	1	Connector - 4 Position	
2	4460887	6	Terminal	
3	4460761	1	Connector - 4 Position	
3	4460227	4	Pin, Male	
4	4460871	1	Socket, Female	
5	1001116812	3	Plug, Male - 3 Position	
5	4460944	9	Socket, Female	
5	4460945	1	Receptacle, 3 Way	
6	4461157	1	Receptacle, Female - 2 Position	
6	4460979	1	Pin, Male	
6	1001116727	1	Seal, Plug	
7	4460894	1	Connector - 6 Position	
7	4460465	2	Socket, Female	
7	4460466	4	Plug, Terminal	
7	4460892	1	Connector - 6 Position Bussbar	
7	1001121172	1	Mount, Terminal	
8	4460836	1	Connector - 12 Position	
8	4460465	3	Socket, Female	
8	4460466	7	Plug, Terminal	
8	4460837	1	Connector	
8	1001121172	1	Mount, Terminal	
9	4460874	1	Connector - 35 Position	
9	4460871	21	Socket, Female	
9	4460905	14	Seal, Plug	
10	4460932	1	Receptacle, Female - 4 Position	
10	4460464	3	Pin, Female	
10	4460466	1	Plug, Terminal	
11	1001116811	1	Receptacle, Female - 4 Position	
11	4460508	3	Pin, Male	
11	4460466	1	Plug, Terminal	
12	4460884	2	Plug, Male - 4 Position	
12	4460465	6	Socket, Female	
12	4460466	2	Plug, Terminal	
13	1001117025	1	Relay and Connector Assembly	
13	1001116734	2	Terminal	
13	1001116732	2	Terminal	
14	4460930	1	Plug, Male - 8 Position	
14	4460465	2	Socket, Female	
14	4460466	6	Plug, Terminal	
15	4460891	4	Connector - 2 Position	
15	4460465	8	Socket, Female	
16	4460866	1	Connector - 19 Position	
16	4460943	3	Pin, Male	
16	4460464	6	Pin, Male	
16	4460508	4	Pin, Male	
16	4460466	6	Plug, Terminal	

## SECTION 8 - ELECTRICAL

**FIGURE 8-40. GENERATOR TO AC PLUG HARNESS - 2800W GENERATOR 220/50HZ (ANSI EXPORT, AUSTRALIAN, CE AND CHINA SPECS)**

ITEM	PART NUMBER	QTY	DESCRIPTION	REV
	1001119925	Ref	GENERATOR TO AC PLUG HARNESS - 2800W GENERATOR 220/50HZ (ANSI EXPORT, AUSTRALIAN, CE AND CHINA SPECS)	A
1	1320043	1	Clamp	
2	1001119922	1	Harness, Generator to AC Plug	B
3	4460709	1	Plug, Male	
4	4923505	7 ft/2.13m	Cable, 14/3	

## SECTION 8 - ELECTRICAL

**FIGURE 8-45. GENERATOR TO AC PLUG HARNESS - 3500W GENERATOR 220/60HZ (ANSI EXPORT, CHINA AND CSA SPECS)**

ITEM	PART NUMBER	QTY	DESCRIPTION	REV
	1001119926	Ref	GENERATOR TO AC PLUG HARNESS - 3500W GENERATOR 220/60HZ (ANSI EXPORT, CHINA AND CSA SPECS)	A
1	4460709	1	Plug, Male	
2	1001119920	1	Harness, Generator to AC Plug	A
3	4460709	1	Plug, Male	
4	4460710	1	Plug, Female	
5	4923505	6.8 ft/ 2.06m	Cable, 14/3	

## SECTION 8 - ELECTRICAL

**FIGURE 8-50. GROUND TO PLATFORM CABLE - TOWER BOOM (WITH ARCTIC PACKAGE)**

ITEM	PART NUMBER	QTY	DESCRIPTION	REV
	1001119954	Ref	GROUND TO PLATFORM CABLE - TOWER BOOM (WITH ARCTIC PACKAGE)	C
2	4460865	1	Connector - 19 Position	
3	4460473	1	Clamp, Cable	
4	4460465	11	Socket, Female	
5	4460509	4	Socket, Female	
6	4460466	4	Plug, Terminal	
7	2820118	AR	Heat Shrink	
8	4460464	11	Pin, Male	
9	4460508	4	Pin, Male	
10	1001226400	1	Heat Shrink	

## SECTION 8 - ELECTRICAL

### FIGURE 8-55. LIMIT SWITCH HARNESS

ITEM	PART NUMBER	QTY	DESCRIPTION	REV
	1001119176	Ref	LIMIT SWITCH HARNESS	E
2	4460464	4	Pin, Male Deutsch 16Ga	
4	1001119170	1	Switch, Limit	
5	2820030	AR	Heat Shrink	
6	1001129407	1	Receptacle, Female - 4 Position	

## SECTION 8 - ELECTRICAL

**FIGURE 8-59. PLATFORM BOX HARNESS ASSEMBLY WITHOUT LSS OR WITH 4 CELL LSS - WITH SKYGUARD**

ITEM	PART NUMBER	QTY	DESCRIPTION	REV
	1001186891	Ref	PLATFORM BOX HARNESS ASSEMBLY WITH SKYGUARD	C
5	4460866	1	Connector - 19 Position	
6	4460874	1	Connector - 35 Position (Natural)	
7	4460875	1	Connector - 35 Position (Gray)	
8	4460873	1	Connector - 35 Position (Black)	
9	4460871	66	Socket, Female	
10	4460464	14	Pin, Male	
11	4460879	1	Connector - 2 Position	
12	4460887	2	Terminal	
13	4460213	2	Terminal	
14	4460260	4	Connector - 1 Position	
15	4460259	4	Terminal	
16	4460418	9	Connector - 6 Position	
17	4460419	25	Terminal	
18	4460226	15	Socket, Female	
19	4460888	4	Terminal, Fork	
20	4460225	5	Connector - 6 Position	
21	4460227	5	Pin, Male	
22	2820118	AR	Heat Shrink	
23	2820019	AR	Heat Shrink	
24	4460508	2	Pin, Male	
25	4460970	1	Connector - 12 Position	
26	4460943	6	Pin, Male	
27	4460933	1	Connector - 12 Position	
28	4460466	12	Plug, Terminal	
29	4460944	9	Socket, Female	
30	4460761	1	Connector - 4 Position	
31	4460227	4	Pin, Male	
32	1001119020	1	Connector - 12 Position Bussbar	
33	4460434	1	Connector - 15 Position	
34	4460227	4	Pin, Male	
35	4460905	39	Plug, Terminal	
41	4460884	1	Plug, Male - 4 Position	
42	4460944	6	Socket, Female	
43	1001116720	4	Terminal	
44	1001118388	4	Terminal	
45	4460536	1	Receptacle, Female - 3 Position	
46	4460539	1	Plug, Male - 3 Position	
47	4460943	2	Pin, Male	
49	4460932	1	Receptacle, Female - 4 Position	
50	4460016	2	Terminal	
51	1001186431	2	Relay	
52	1001186432	2	Holder, Relay	

## SECTION 8 - ELECTRICAL

**FIGURE 8-64. RECEPTACLE BOX KIT - 220V CEE7 SIDE GROUND 70MM X 70MM BOX (CE SPEC)**

ITEM	PART NUMBER	QTY	DESCRIPTION	REV
	0275219	Ref	RECEPTACLE BOX KIT - 220V CEE7 SIDE GROUND 70MM X 70MM BOX (CE SPEC)	B
1	1001141967	1	Box, Switch	
2	1001141969	1	Receptacle	
3	4461205	1	Plug, Male	
4	1001141970	1	Plug and Socket Kit (Includes Items 1-3 and Female Plug p/n 4461206)	

## SECTION 8 - ELECTRICAL

### FIGURE 8-69. SKYEYE INTERMEDIATE HARNESS

ITEM	PART NUMBER	QTY	DESCRIPTION	REV
	1001237865	Ref	SKYEYE INTERMEDIATE HARNESS	A
1	4460899	1	Connector - 6 Position	
1	4460943	4	Pin, Male	
1	4460466	2	Plug, Terminal	
2	4461077	2	Connector - 4 Position	
2	1001119619	8	Socket, Female	
3	4460911	1	Connector - 3 Position	
3	1001119619	3	Socket, Female	
4	1001187681	1	Connector - 2 Position	
4	4460941	1	Pin, Male	
4	4460466	1	Plug, Terminal	

# SECTION 8 - ELECTRICAL

## FIGURE 8-74. VALVE HARNESS

ITEM	PART NUMBER	QTY	DESCRIPTION	REV
	1001118293	Ref	VALVE HARNESS	G
1	4460891	13	Plug, Male - 2 Position	
1	4460465	26	Socket, Female	
2	4460933	1	Plug, Male - 12 Position	
2	4460465	9	Socket, Female	
2	4460466	3	Plug, Terminal	
3	4460539	1	Connector - 3 Position	
3	4460465	3	Socket, Female	
4	4460931	1	Connector - 8 Position	
4	4460464	4	Pin, Male	
4	4460466	4	Plug, Terminal	
5	4460875	1	Connector - 35 Position	
5	4460871	24	Socket, Female	
5	4460905	11	Plug, Terminal	
6	4460872	1	Connector - 14 Position	
6	4460871	7	Socket, Female	
6	4460905	6	Plug, Terminal	
7	4460891	1	Plug, Male - 2 Position (SN 0300223169 through 0300272222, Except SN 0300272191 through 0300272192)	
7	4460465	2	Socket, Female (SN 0300223169 through 0300272222, Except SN 0300272191 through 0300272192)	

## SECTION 9 - DECALS

**FIGURE 9-3. DECALS INSTALLATION - BRAZIL SPEC (PORTUGUESE/SPANISH)**

ITEM	PART NUMBER	QTY	DESCRIPTION	REV
	1001119738	Ref	DECALS INSTALLATION - BRAZIL SPEC (PORTUGUESE/SPANISH)	G
1	0760610	4	Bolt M6 x 20	
2	4811700	8	Washer M6	
3	3290605	4	Nut M6	
4	0860520	1	Box, Manual Storage	
6	1701500	4	Decal - Lift	
7	1701499	4	Decal - No Tie-Down/No Lift	
8	1701504	1	Decal - Hydraulic Oil	
9	1701509	1	Decal - Manual	
10	1001113170	1	Decal - Crushing	
11	1703952	4	Decal - Crushing	
12	1705903	2	Decal - Crushing	
13	1701642	2	Decal - Arrow	
14	1702300	8	Decal - Tie-Down	
15	See Note	1	Decal - Bar Code (Note: Not Available for Purchase)	
20	1704277	2	Decal - Lanyard Attach	
21	1704412	1	Decal - Hydraulic Oil	
23	1703928	1	Decal - Warning	
24	1705349	1	Decal - Warning Inspection	
25	1703985	1	Decal - Footswitch	
26	1703940	5	Decal - Electrocution	
27	1001121920	2	Decal - Warning Maximum Capacity	
28	1001121923	1	Decal - Warning Maximum Capacity	
31	2080057	2	Fastener	
33	1001119576	1	Decal - Lift Diagram	
34	1001119578	2	Decal - 340AJ	
35	1001119580	4	Decal - Tire Load	
37	1704002	2	Decal - No Hands	
38	1001113680	1	Decal - Drive/Steer Instructions	
43	1001120009	1	Decal - Legend	
44	1001120010	1	Decal - Legend	
45	1001120282	1	Decal - No Pipe Racks	
46	1001119981	1	Decal - Manual Turntable Rotate	
47	1701529	2	Decal - Arrow	
48	1001127549	1	Decal - Manual Descent	
49	1001127588	1	Decal - Manual Descent	
50	1001224052	1	Decal - Yearly Inspection (SN 0300233756 through 0300272222, Except SN 0300272191 through 0300272192)	

## SECTION 9 - DECALS

**FIGURE 9-8. DECALS INSTALLATION - KOREAN SPEC (KOREAN/ENGLISH)**

ITEM	PART NUMBER	QTY	DESCRIPTION	REV
	1001119735	Ref	DECALS INSTALLATION - KOREAN SPEC (KOREAN/ENGLISH)	G
1	0760610	4	Bolt M6 x 20	
2	4811700	8	Washer M6	
3	3290605	4	Nut M6	
4	0860520	1	Box, Manual Storage	
6	1701500	4	Decal - Lift	
7	1701499	4	Decal - No Tie-Down/No Lift	
8	1701504	1	Decal - Hydraulic Oil	
9	1701509	1	Decal - Manual	
10	1001113509	1	Decal - Crushing	
11	1703951	4	Decal - Crushing	
12	1703945	2	Decal - Crushing	
13	1701642	2	Decal - Arrow	
14	1702300	8	Decal - Tie-Down	
15	See Note	1	Decal - Bar Code (Note: Not Available for Purchase)	
20	1704277	2	Decal - Lanyard Attach	
21	1704412	1	Decal - Hydraulic Oil	
23	1703927	1	Decal - Warning/Danger	
24	1705345	1	Decal - Warning Inspection	
25	1703981	1	Decal - Footswitch	
26	1703939	5	Decal - Danger Electrocuton	
27	1001121918	2	Decal - Warning Maximum Capacity	
28	1001121921	1	Decal - Warning Maximum Capacity	
31	2080057	2	Fastener	
33	1001119576	1	Decal - Lift Diagram	
34	1001119578	2	Decal - 340AJ	
35	1001119580	4	Decal - Tire Load	
37	1705969	2	Decal - No Hands	
38	1705427	1	Decal - Drive/Steer Instructions	
43	1001120009	1	Decal - Legend	
44	1001120010	1	Decal - Legend	
45	1001120280	1	Decal - No Pipe Racks	
46	1001119981	1	Decal - Manual Turntable Rotate	
47	1701529	2	Decal - Arrow	
48	1001127549	1	Decal - Manual Descent	
49	1001127588	1	Decal - Manual Descent	
50	1001224048	1	Decal - Yearly Inspection (SN 0300233756 through 0300272222, Except SN 0300272191 through 0300272192)	

**SECTION 11 - SPECIAL OPTIONS**

## SECTION 11 - SPECIAL OPTIONS

1001121720 .....205	1001136232 .....472, 509, 516	1001147470 .....123, 156	1001161432 .....152, 160, 167
1001121721 .....221	1001136244 .....265, 269	1001147471 .....127, 164	1001161433 .....121, 152
1001121801 .....557	1001137005 .....585	1001147590 .....114	1001161434 .....125, 160
1001121803 .....567	1001137326 .....143, 147	1001147642 .....143, 147, 177, 181, 184, 189	1001161709 .....302, 306, 310, 314, 318, 322
1001121805 .....573	1001137327 .....143, 147	1001147643 .....143, 147, 177, 181, 184, 189	1001166538 .....302, 306, 310, 314, 318, 322, 329
1001121808 .....569	1001137336 .....143, 147	1001148253 .....139, 142	1001166539 .....302, 306, 310, 314, 318, 322, 325
1001121810 .....565	1001137337 .....129, 131	1001148254 .....135, 137, 139	1001166667 .....285, 293, 301
1001121814 .....557	1001137367 .....135, 137	1001148255 .....129, 135	1001168210 .....351
1001121816 .....567	1001137369 .....129, 131	1001148256 .....131, 137	1001169768 .....388
1001121818 .....573	1001137371 .....143, 147	1001148660 .....233	1001169769 .....388
1001121821 .....569	1001137397 .....129, 131	1001148663 .....237	1001169770 .....388
1001121823 .....565	1001137398 .....143, 147	1001148902 .....583	1001169771 .....388
1001121918 .....571	1001137399 .....143, 147	1001148903 .....583	1001170981 .....177, 181, 185, 189
1001121920 .....561	1001137400 .....143, 147	1001148904 .....583	1001172045 .....584
1001121921 .....571	1001137401 .....129, 131	1001148905 .....583	1001172663 .....261
1001121923 .....561	1001137402 .....129, 131	1001148906 .....583	1001172760 .....302, 306, 310, 314, 318, 322
1001121966 .....375, 385	1001137451 .....117, 121, 123, 125, 127	1001148971 .....582	1001173703 .....575
1001122527 .....245, 357	1001137452 .....121, 123, 125, 127	1001148975 .....143, 147	1001174486 .....135, 137
1001123004 .....249, 251, 353	1001137673 .....333, 335	1001149144 .....105, 302, 310	1001176372 .....584
1001123018 .....143, 147, 177, 181, 185, 189	1001138005 .....583	1001149147 .....105	1001176469 .....109
1001125108 .....375, 385	1001138494 .....277, 279	1001149379 .....177, 181, 185, 189	1001176938 .....160, 164
1001125118 .....206, 210, 214, 218, 222, 226, 230	1001138514 .....277, 279	1001149565 .....584	1001177156 .....135, 137
1001125235 .....241, 243	1001138752 .....79	1001149752 .....584	1001182138 .....341
1001125249 .....375, 385	1001138829 .....79	1001150619 .....233	1001182689 .....109
1001125283 .....79	1001139654 .....575	1001151393 .....111	1001185080 .....582
1001125291 .....83, 85	1001139843 .....79	1001151649 .....583	1001185281 .....310, 314, 318, 322
1001126009 .....545	1001140315 .....584	1001152457 .....238	1001186375 .....277
1001127091 .....582	1001140318 .....584	1001152458 .....234	1001186377 .....279
1001127115 .....55	1001140429 .....277, 279, 281	1001152544 .....583	1001186386 .....275
1001127549 .....557, 559, 561, 563, 565, 567, 569, 571, 573	1001140524 .....440, 444, 448, 452, 456, 460, 465	1001153015 .....61, 65	1001186387 .....273
1001127588 .....557, 559, 561, 563, 565, 567, 569, 571, 573	1001140525 .....302, 306, 310, 314, 318, 322, 467	1001153364 .....61	1001186431 .....318, 335, 521, 579
1001127703 .....375, 385	1001141300 .....575	1001153814 .....237	1001186432 .....507, 521, 545
1001127705 .....375, 385	1001141710 .....83, 85	1001154291 .....451	1001186517 .....333, 335
1001128214 .....176, 181, 184, 189	1001141967 .....529, 531	1001154292 .....447	1001186578 .....583
1001128781 .....67, 69	1001141968 .....529	1001155044 .....302, 306, 310, 314, 318, 322	1001186891 .....310, 314, 521
1001128782 .....67, 69	1001141969 .....531	1001155045 .....302, 306, 310, 314, 318, 322	1001187356 .....584
1001128798 .....73	1001141970 .....531	1001155381 .....455	1001187508 .....333
1001128799 .....75, 77	1001141971 .....529	1001155382 .....459	1001187674 .....337
1001128801 .....135, 137	1001142683 .....91, 93, 95, 97, 99, 101, 579	1001156351 .....452	1001187681 .....541
1001128888 .....177, 181, 185, 189	1001142736 .....91, 93, 95, 97, 99, 101, 547	1001156352 .....452	1001188036 .....85, 109
1001128931 .....135, 137	1001143431 .....91	1001156819 .....135, 137	1001188057 .....109
1001128936 .....135, 137	1001144433 .....310, 314, 318, 335	1001156823 .....135, 137	1001188093 .....85, 471
1001129043 .....75, 77	1001144629 .....273, 275	1001157310 .....437, 455, 459	1001188094 .....85, 505
1001129255 .....135, 137	1001145804 .....285	1001157311 .....435, 455, 459	1001188322 .....425
1001129256 .....135, 137	1001145805 .....293, 302	1001157915 .....234, 238	1001188446 .....578
1001129407 .....511	1001146824 .....114	1001157916 .....234, 238, 479	1001188622 .....261
1001129555 .....578	1001147141 .....233	1001157918 .....583	1001188844 .....261
1001130492 .....563	1001147233 .....233, 237	1001157966 .....176, 184, 191	1001188889 .....333
1001130588 .....393	1001147234 .....233, 237	1001159027 .....91, 93, 97, 99, 549	1001190017 .....310
1001131168 .....302, 306, 310, 314, 318, 322	1001147365 .....143, 147, 177, 181, 185, 189	1001159256 .....302, 306, 310, 314, 318, 322	1001190079 .....287
1001131269 .....557, 567	1001147431 .....233, 237	1001159301 .....152, 156	1001190080 .....295
1001131968 .....435, 437	1001147436 .....237	1001160531 .....65	1001190081 .....287, 295, 309
1001132732 .....582	1001147440 .....117	1001161431 .....167, 176	1001190775 .....143, 147, 583
1001133067 .....583	1001147441 .....114, 117		1001190985 .....261
1001133070 .....583	1001147468 .....171, 184		
1001136231 .....472, 516	1001147469 .....156, 164, 171		

CLICK HERE TO **DOWNLOAD** THE COMPLETE MANUAL

- Thank you very much for reading the preview of the manual.
- You can download the complete manual from: [www.heydownloads.com](http://www.heydownloads.com) by clicking the link below



- Please note: If there is no response to CLICKING the link, please download this PDF first and then click on it.

CLICK HERE TO **DOWNLOAD** THE COMPLETE MANUAL