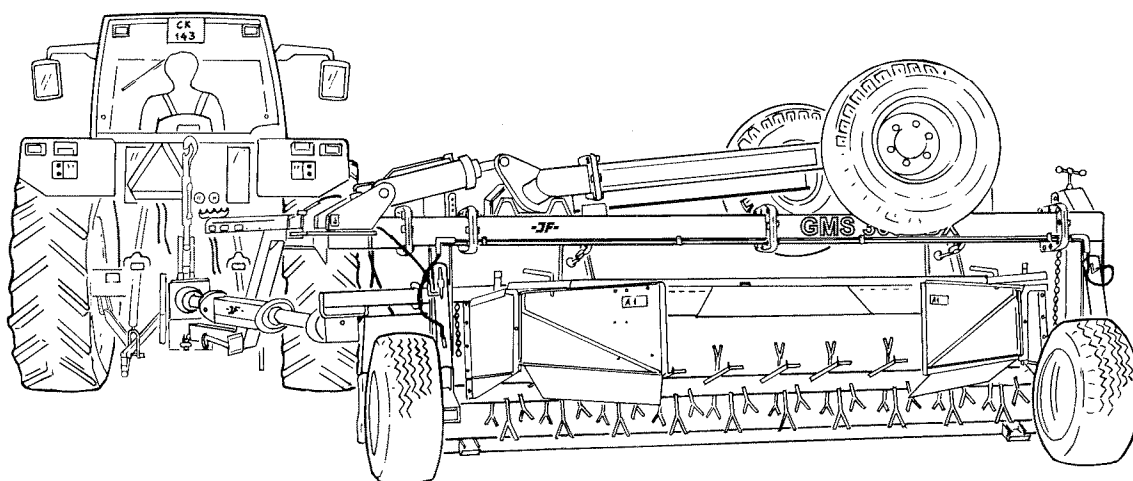


JF**GMS 3600 DX****Skiveslåmaskine / Scheibenmäher
Disc Mover / Faucheuse à Disques****Reservedelskatalog / Ersatzteilkatalog
Spare Parts Book / Catalogue de pièces****4**

Gyldig fra:

Gültig ab: **1997 03 15**

Valid from:

Valable á partir de:

Fabrikationsnr.:

Machinen Nr.: **1001**

Serial No.:

No. de serie:

Udgave:

Ausgabe: **1999 10 01**

Edition:

Edition:

4**Notér fabrikationsnummeret på Deres maskine på omslagets inderside.****Notieren Sie die Fabrikationsnummer Ihrer Maschine auf der Innerseite des Umschlages.****Please note the serial number of Your machine at the inside of the cover.****Veillez noter le numero de Votre machine sur la face interne de la couverture.**

CLICK HERE TO **DOWNLOAD** THE COMPLETE MANUAL

- Thank you very much for reading the preview of the manual.
- You can download the complete manual from: www.heydownloads.com by clicking the link below



- Please note: If there is no response to CLICKING the link, please download this PDF first and then click on it.

CLICK HERE TO **DOWNLOAD** THE COMPLETE MANUAL

FIGURNØGLE - FIGURSCHLÜSSEL - FIGURE KEY - LISTE DE FIGURES

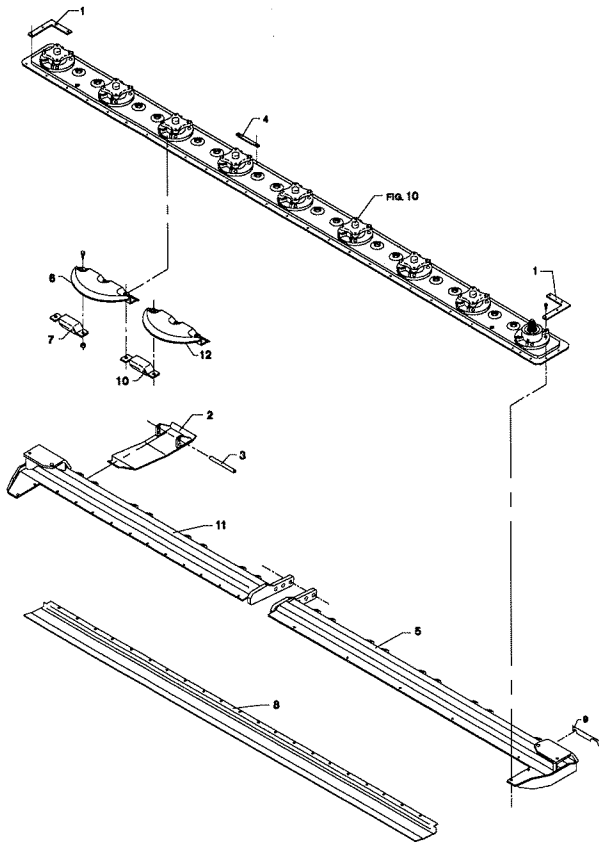


Fig. 08.0

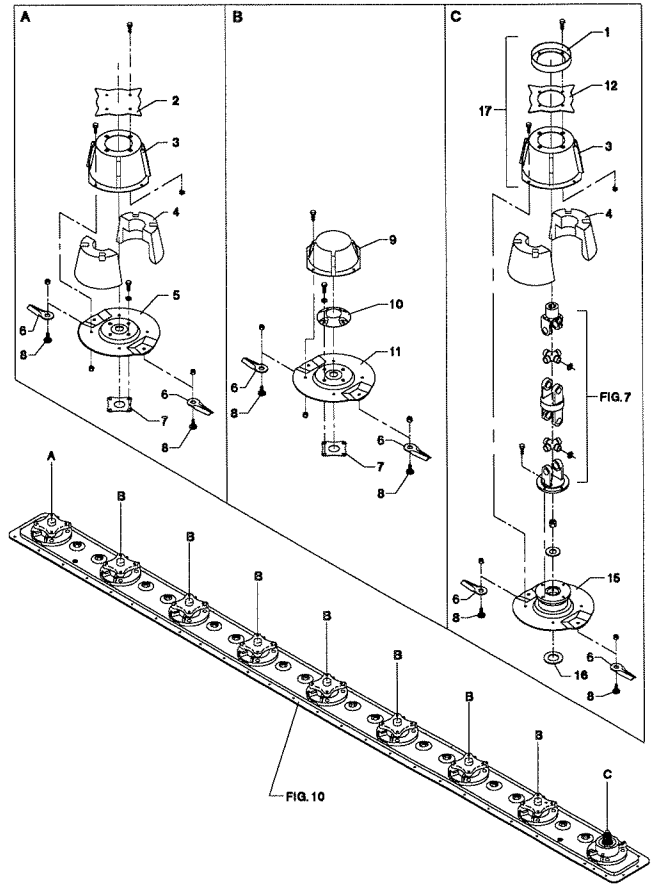
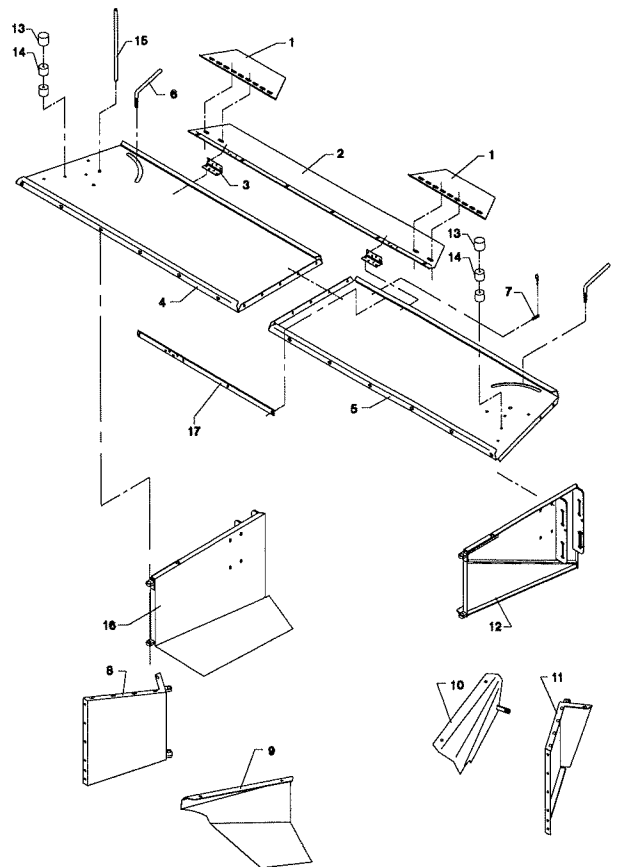
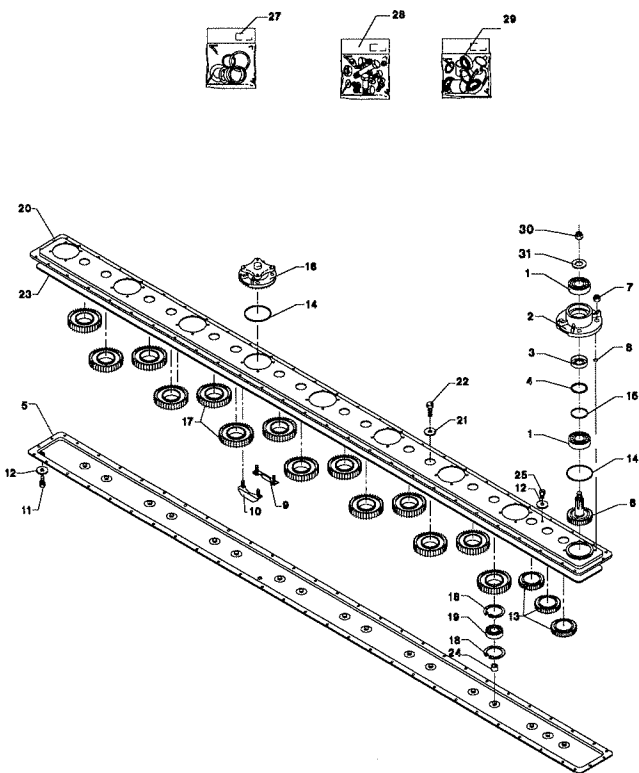


Fig. 09.0

Fig. 10.0

Fig. 11.0



| POS. | VARENUMMER | ANTAL | BENÆVNELSE | BEZEICHNUNG | DESIGNATION | | |
|-------|------------|-------|---|-------------|-------------------------------|-------------------------------------|-------------|
| 43. | 2228-258X | 1 | LASKE LASCHE | | FISH PLATE | 1214-6226 1220-6321 1241-5502 | 4 4 4 |
| 44. | 2083-894X | 1 | TAP ZAPFEN | | DOWEL | 1251-6401 | 2 |
| 45. | 1317-0302 | 2 | STIK F/LYNKOBLING ANSCHLUSS F/SCHNELLKUPPLUNG | | CONNECTION F/QUICK-CLUTCH | | |
| 46. | 1393-0140 | 2 | BESKYTTELSESHÆTTE SCHUTZKAPPE | | PROTECTION CAP | | |
| 47. | 1317-0715 | 2 | O-RING O-RING >=0000001001 <=0000001015 | | O-RING | | |
| 47. 1 | 1311-8539 | 2 | TÆTNINGSRING 21,5-28,6-2,5 DICHTUNGSRING 21,5-28,6-2,5 >=1560100316 | | TIGHTENING RING 21,5-28,6-2,5 | | |
| 48. | 1311-2304 | 2 | BRYSTNIPPEL 1/2-3/8'' NIPPEL 1/2-3/8'' | | NIPPLE 1/2-3/8'' | | |
| 49. | 1317-0401 | 2 | HYDRAULIKSLANGE L=5000 HYDRAULIKSCHLAUCH L=5000 | | HYDRAULIC HOSE L=5000 | | |
| 50. | 1311-2604 | 2 | NIPPEL 3/8"-3/8" NIPPEL 3/8"-3/8" | | NIPPLE 3/8"-3/8" | | |
| 51. | 1311-1410 | 1 | NIPPEL NIPPEL | | NIPPLE | | |
| 52. | 1317-0203 | 2 | KOBBERPAKNING 14-17 KUPFER DICHTUNG 14-17 | | COPPER GASKET 14-17 | | |
| 53. | 1317-0535 | 1 | KONTRAVENTIL KONTRAVENTIL | | NON-RETURN VALVE | | |
| 54. | 1311-1411 | 1 | RØRFORSKRUNING ROHRVERSCHRÄBUNG | | PIPE COUPLING | | |
| 55. | 2229-516X | 1 | RØR ROHR | | TUBE | | |
| 56. | 1311-8534 | 1 | FORSKRUNING GA-10 3/8' VERSCHRÄBUNG GA-10 3/8' | | SCREWED CONNECTION GA-10 3/8' | | |
| 57. | 1317-0532 | 1 | REGULERINGSVENTIL REGULIERUNGSVENTIL | | REGULATING VALVE | | |
| 58. | 1311-8583 | 2 | NIPPEL NIPPEL | | NIPPLE | | |
| 59. | 2010-394X | 1 | DYSE DUESE | | NOZZLE | | |
| 60. | 2086-443X | 1 | SKÆRMHOLDER SCHUTZ HALTER | | GUARD HOLDER | 1213-3224 1220-3321 1241-2502 | 2 2 2 |
| 61. | 2229-634X | 1 | TRÆKLASKE, VENSTRE ZUGGLASCHE, LINKE | | COUPLING PLATE, LEFT | 1214-6226 1220-6122 | 1 1 |
| 62. | 2225-092X | 1 | TAP ZAPFEN | | DOWEL | 1254-4201 | 2 |
| 63. | 3225-087X | 2 | HOLDEKÆDE HALTEKETTE | | SUPPORT CHAIN | | |
| 64. | 2279-153X | 2 | SPÆNDESTYKKE SPANNSTUECK | | TIGHTENING PIECE | | |
| 65. | 3086-883X | 1 | STOP STOPP >=0000001010 <=0000001015 | | STOP | | |

| POS. | VARENUMMER | ANTAL | BENÆVNELSE | BEZEICHNUNG | DESIGNATION | | |
|-------|------------|-------|---|-------------|-------------------------------|-------------------------------------|-------------|
| 1. | 1317-0302 | 2 | STIK F/LYNKOBLING ANSCHLUSS F/SCHNELLKUPPLUNG | | CONNECTION F/QUICK-CLUTCH | | |
| 2. | 1317-0715 | 2 | O-RING O-RING >=0000001001 <=0000001015 | | O-RING | | |
| 2. 1 | 1311-8539 | 2 | TÆTNINGSRING 21,5-28,6-2,5 DICHTUNGSRING 21,5-28,6-2,5 >=1560100316 | | TIGHTENING RING 21,5-28,6-2,5 | | |
| 3. | 1393-0139 | 2 | BESKYTTELSESHÆTTE SCHUTZKAPPE | | PROTECTION CAP | | |
| 4. | 1311-2304 | 2 | BRYSTNIPPEL 1/2-3/8'' NIPPEL 1/2-3/8'' | | NIPPLE 1/2-3/8'' | | |
| 5. | 1317-0402 | 2 | HYDRAULIKSLANGE L=5600 HYDRAULIKSCHLAUCH L=5600 | | HYDRAULIC HOSE L=5600 | | |
| 6. | 1311-8534 | 3 | FORSKRUNING GA-10 3/8' VERSCHRAUBUNG GA-10 3/8' | | SCREWED CONNECTION GA-10 3/8' | | |
| 7. | 2010-394X | 1 | DYSE DUESE | | NOZZLE | | |
| 8. | 1317-0536 | 1 | KONTRAVENTIL KONTRAVENTIL | | NON-RETURN VALVE | | |
| 9. | 1311-8569 | 2 | REDUKTIONSFORSKRUNING 15/10-L VERSCHRAUBUNG 15/10-L | | SCREWED CONNECTION 15/10-L | | |
| 10. | 1317-0406 | 1 | HYDRAULIKSLANGE L=2700 HYDRAULIKSCHLAUCH L=2700 | | HYDRAULIC HOSE L=2700 | | |
| 11. | 1311-8565 | 2 | VINKELFORSKRUNING 15-L WINKELVERSCHRAUBUNG 15-L | | ANGLE COUPLING 15-L | | |
| 12. | 1311-8566 | 1 | NIPPEL NIPPEL | | NIPPLE | | |
| 13. | 1311-8583 | 1 | NIPPEL NIPPEL | | NIPPLE | | |
| 14. | 1311-8567 | 1 | KUGLEHANE KUGELHAHN | | BALL TAP | 1219-0332 1220-1323 | 2 2 |
| 15. | 2086-665X | 1 | HÅNDTAG HANDGRIFF | | HANDLE | | |
| 16. | 1399-0185 | 1 | KUGLEHÅNDTAG HANDGRIFF | | HANDLE | 1213-2222 1241-1202 | 1 2 |
| 17. | 2086-855X | 1 | SKINNE SCHIENE >=0000001001 <=0000001015 | | RAIL | 1215-3226 1220-3321 1241-2502 | 2 2 2 |
| 17. 1 | 2086-947X | 1 | SKINNE SCHIENE >=1560100316 | | RAIL | 1215-3226 1220-3321 1241-2502 | 2 2 2 |
| 18. | 2086-575X | 1 | RØR ROHR | | TUBE | | |
| 19. | 1311-8525 | 1 | VINKELFORSKRUNING 3/8'-VA 10LM WINKELVERSCHRAUB. 3/8'-VA 10LM | | ANGLE COUPLING 3/8'-VA 10LM | | |
| 20. | 2086-854X | 1 | CYLINDER ZYLINDER | | CYLINDER | | |
| 21. | 1317-9323 | 1 | STEMPEL KOLBEN | | PISTON | | |
| 22. | 1317-9327 | 1 | RØR ROHRE | | TUBE | | |
| 23. | 1317-9325 | 1 | STYREBØSNING FUEHRUNGSBUCHSE | | GUIDING BUSH | | |

| POS. | VARENUMMER | ANTAL | BENÆVNELSE | BEZEICHNUNG | DESIGNATION | | |
|-------|------------|-------|---|-------------|-------------------------|---|------------------------|
| 25. 1 | 3088-426X | 1 | TRYKPLADE, VENSTRE DRUCKPLSTTE, LINKE >=1560100316 | | COMPRESSIONPLATE, LEFT | 1215-5522 1220-5321 1241-4503 | 2 2 2 |
| 27. | 2228-332X | 1 | AFSTIVNING STUETZE | | SUPPORT | 1213-3222 1220-3321 1241-2502 | 2 2 4 |
| 28. | 1339-5502 | 1 | FILTRING 55-71-6 FILZRING 55-71-6 | | FELT RING 55-71-6 | | |
| 29. | 2320-271X | 8 | TILHOLDER HALTER | | HOLDER | | |
| 31. | 3086-608X | 1 | TRYKPLADE DRUCKPLATTE >=0000001001 <=0000001015 | | COMPRESSION PLATE | 1215-5522 1220-5321 1241-4503 | 1 1 1 |
| 31. 1 | 3088-428X | 1 | TRYKPLADE, HØJRE DRUCKPLSTTE, RECHTE >=1560100316 | | COMPRESSIONPLATE, RIGHT | 1215-5522 1220-5321 1241-4503 | 1 1 1 |
| 32. | 2086-622X | 1 | BÆRING TRAEGER | | CARRIER | 1213-3322 1220-3321 1241-2502 | 2 2 4 |
| 33. | 2086-814X | 2 | HOLDER HALTER | | HOLDER | 1214-3120 1220-3321 1241-2502 | 4 4 8 |
| 34. | 2086-688X | 2 | FINGER, HØJRE FINGER, RECHTE | | FINGER. RIGHT | 1214-4126 1220-4323 | 1 1 |
| 35. | 2086-687X | 4 | FINGER, VENSTRE FINGER, LINKE | | FINGER, LEFT | | |
| 36. | 2088-446X | 1 | LUKKEPLADE, VENSTRE VERSCHLIESSPLATTE, LINKE >=1560100316 | | LOCKING PLATE, LEFT | 1213-3224 1215-3226 1220-3321 1220-3922 1241-2502 | 9 9 9 9 18 |
| 37. | 2088-445X | 1 | LUKKEPLADE, HØJRE VERSCHLIESSPLATTE, RECHTE >=1560100316 | | LOCKING PLATE, RIGHT | 1213-3224 1215-3226 1220-3321 1220-3922 1241-2502 | 8 8 8 8 16 |
| 38. | 2088-497X | 1 | FORSTÆRKNING VERSTAERKERUNG >=1560100316 | | REINFORCEMENT | | |

| POS. | VARENUMMER | ANTAL | BENÆVNELSE | BEZEICHNUNG | DESIGNATION | | |
|-------|------------|-------|---|-------------|---------------------|--|--------------------------------------|
| 1. | 2086-843X | 1 | SKÆRM SCHUTZ >=0000001001 <=0000001015 | | GUARD | 1213-3222 1220-3321 1241-2502 | 9 9 18 |
| 1. 1 | 2088-448X | 1 | SKÆRM, VENSTRE SCHUTZ, LINKE >=1560100316 | | GUARD, LEFT | 1213-3224 1241-2502 | 1 1 |
| 2. | 2086-844X | 1 | ENDEPLADE ENDPLATTE >=0000001001 <=0000001015 | | END PLATE | 1213-3224 1220-3321 1241-2502 | 6 6 6 |
| 2. 1 | 2088-450X | 1 | SKÆRM, HØJRE SCHUTZ, RECHTE >=1560100316 | | GUARD, RIGHT | 1213-3224 1220-3321 1241-2502 | 5 5 10 |
| 3. | 3226-164X | 1 | SKÆRM SCHUTZ >=0000001001 <=0000001015 | | GUARD | 1213-3224 1213-4224 1214-4424 1220-3321 1220-3922 1220-4321 1241-2502 1241-3403 | 1 1 2 1 1 3 2 6 |
| 3. 1 | 3088-404X | 1 | SKÆRM SCHUTZ >=1560100316 | | GUARD | 1213-3224 1213-4224 1214-4424 1220-3321 1220-4321 1241-2502 1241-3403 | 1 1 2 1 3 2 6 |
| 4. | 2229-199X | 2 | MØTRIK MUTTER >=0000001001 <=0000001015 | | NUT | 1213-4222 1241-3502 | 2 2 |
| 5. | 1338-0126 | 1 | PASFEDER 12-8-60 FEDERKEIL 12-8-60 | | FLAT KEY 12-8-60 | | |
| 6. | 2086-633X | 1 | REMSKIVE 4-SPB 143 RIEMENSCHLEIBE 4-SPB 143 | | PULLEY 4-SPB 143 | 1219-0604 | 2 |
| 7. | 1361-9804 | 4 | KILEREM SPB 1785 LP KEILRIEMEN SPB 1785 LP | | V-BELT SPB 1785 LP | | |
| 8. | 2086-849X | 1 | SKÆRM SCHUTZ | | GUARD | 1219-0300 | 1 |
| 9. | 2228-780X | 1 | STØTTEPLADE STUTZPLATTE >=0000001001 <=0000001015 | | SUPPORT PLATE | 1213-4327 1213-5322 1220-4321 1241-3403 1241-4502 | 2 2 2 4 2 |
| 9. 1 | 2088-406X | 1 | STØTTEPLADE, VENSTRE STUTZBLECH, LINKE >=1560100316 | | SUPPORT PLATE, LEFT | 1213-4327 1213-5322 1220-4321 1241-3403 1241-4502 | 2 2 2 4 2 |
| 11. | 2228-770X | 1 | BØJLESTYR BUGELSTEUERUNG >=0000001001 <=0000001015 | | HOOP STEERING | 1213-3224 1220-3321 1241-2502 | 3 3 6 |
| 12. | 3228-778X | 1 | KONSOL KONSOLE >=0000001001 <=0000001015 | | BRACKET | 1213-4327 1220-4321 1241-3403 | 2 2 2 |
| 12. 1 | 3088-410X | 1 | PLADE, VENSTRE BLECH, LINKE >=1560100316 | | PLATE, LEFT | 1213-4327 1220-3926 1220-4321 1241-3403 | 2 1 2 2 |

| POS. | VARENUMMER | ANTAL | BENÆVNELSE | BEZEICHNUNG | DESIGNATION |
|------|------------|-------|---|-------------|-------------------------|
| . | 1380-0129 | | KNIVBJÆLKE 9-SKIVER SCHNITTBALKEN 9-SCHEIBEN | | CUTTER BAR 9-DISC |
| 1. | 2085-630X | 2 | KUGLELEJE KUGLELAGER | | BALL BEARING |
| 2. | 2085-643X | 1 | LEJEHUS LAGERGEHAEUSE | | BEARING HOUSING |
| 3. | 2085-632X | 1 | AFSTANDSRING DISTANZRING | | DISTANCE RING |
| 4. | 2085-633X | 1 | TÆTNINGSRING DICHTUNGSRING | | TIGHTENING RING |
| 5. | 2085-682X | 1 | BJÆLKEHALVDEL, UNDERSTE BALKENHAELFTE, UNTERE | | HALF OF BEAM, LOWER |
| 6. | 2085-635X | 1 | DRIVHJUL ANTRIEBSRAD | | DRIVING WHEEL |
| 7. | 1220-4321 | 36 | NYLOC MØTRIK M12 NYLOC MUTTER M12 | | NYLOC NUT M12 |
| 8. | 2085-621X | 36 | O-RING O-RING | | O-RING |
| 9. | 2085-619X | 9 | KONSOL KONSOLE | | BRACKET |
| 10. | 2085-618X | 9 | KONSOL KONSOLE | | BRACKET |
| 11. | 2085-637X | 1 | UDLUFTNINGSSKRUE ENTLUFTUNGSVENTIL | | AIR-ESCAPE VALVE |
| 12. | 1317-0208 | 3 | KOBBERPAKNING 17-22-1,5 KUPFERDICHTUNG 17-22-1,5 | | COPPER GASKET 17-22-1,5 |
| 13. | 2085-629X | 3 | MELLEMHJUL Z-29 ZWISCHENRAD Z-29 | | INTERMEDIATE WHEEL Z-29 |
| 14. | 2085-641X | 9 | O-RING O-RING | | O-RING |
| 15. | 2085-634X | 1 | O-RING O-RING | | O-RING |
| 16. | 2085-642X | 8 | LEJEHUS LAGERGEHAEUSE | | BEARING HOUSING |
| 17. | 2085-628X | 14 | MELLEMHJUL Z-38 ZWISCHENRAD Z-38 | | INTERMEDIATE WHEEL Z-38 |
| 18. | 2085-189X | 34 | LÅSERING ANI 75NO3 SICHERUNGSRING 75NO3 | | SNAP RING ANI 75NO3 |
| 19. | 2085-627X | 17 | KUGLELEJE KUGELLAGER | | BALL BEADING |
| 20. | 2085-683X | 1 | BJÆLEHALVDEL, ØVERSTE BALKENHAELFTE, OBERE | | HALF OF BEAM, UPPER |
| 21. | 2085-624X | 17 | SKIVE SCHEIBE | | WASHER |
| 22. | 2085-625X | 17 | SKRUE SCHRAUBE | | SCREW |
| 23. | 2085-684X | 1 | O-RING O-RING | | O-RING |
| 24. | 2085-626X | 17 | BØSNING, NYLON BUCHSE, NYLON | | BUSH, NYLON |

| POS. | VARENUMMER | ANTAL | BENÆVNELSE | BEZEICHNUNG | DESIGNATION |
|------|------------|-------|---|-------------|------------------------|
| . | 3228-779X | | GEAR GETRIEBE | | GEAR |
| 1. | 1315-9285 | 2 | OLIETÆTNINGSRING OELDICHTUNGSRING | | OIL TIGHTENING RING |
| 2. | 1255-7102 | 2 | LÅSERING 80 MM INDVENDIG SICHERUNGSRING 80 MM INNEN | | SNAP RING 80 MM INNER |
| 3. | 1213-3224 | 8 | STÅLSÆTSKRUE M10-25 STAHLSECHSKANTSCHRAUBE M10-25 | | STEEL SET SCREW M10-25 |
| 4. | 1315-9226 | 2 | MELLEMLÆG ZWISCHENLAGE | | SHIM |
| 5. | 1331-9994 | 2 | RULLELEJE KONISK 30208A ROLLENLAGER 30208A | | ROLLER BEARING 30208A |
| 6. | 1315-9245 | 4 | PROP ROHRVERSCHLUSS | | PLUG |
| 7. | 1338-0102 | 1 | PASFEDER 12-8-28 FEDERKEIL 12-8-28 | | FLAT KEY 12-8-28 |
| 8. | 1315-9167 | 1 | PROP ROHRVERSCHLUSS | | PLUG |
| 9. | 1315-9331 | 1 | DÆKSEL DECKEL | | COVER |
| 10. | 1315-9332 | 1 | HUS HAUS | | CASING |
| 11. | 1315-9333 | 1 | AKSEL WELLE | | SHAFT |
| 12. | 1331-3106 | 1 | KUGLELEJE 6208 KUGELLAGER 6208 | | BALL BEARING 6208 |
| 13. | 1315-9109 | 2 | AFSTANDSRING, SÆT DISTANZRING, SATZ | | DISTANCE RING, SET |
| 14. | 1315-9131 | 1 | RULLELEJE ROLLENLAGER | | ROLLER BEARING |
| 15. | 1213-4224 | 4 | STÅLSÆTSKRUE M12-25 STAHLSECHSKANTSCHRAUBE M12-25 | | STEEL SET SCREW M12-25 |
| 16. | 1332-4801 | 1 | OLIETÆTNINGSRING M 40-80-10 DICHTUNGSRING M 40-80-10 | | OIL SEAL M 40-80-10 |
| 17. | 1315-9334 | 1 | SPIDSHJUL Z=12 ANTRIEBSKEGELRAD Z=12 | | PINION Z=12 |
| 18. | 1255-4201 | 1 | LÅSERING 40 MM UDVENDIG SICHERUNGSRING 40 MM AUSSEN | | SNAP RING 40 MM OUTER |
| 19. | 1315-9336 | 1 | DÆKSEL DECKEL | | COVER |
| 20. | 1315-9337 | 8 | SKIVE SCHEIBE | | WASHER |
| 21. | 1315-9338 | 1 | DÆKSEL DECKEL | | COVER |
| 22. | 1315-9339 | 1 | GEAR GEAR | | GEAR |

| POS. | VARENUMMER | ANTAL | BENÆVNELSE | BEZEICHNUNG | DESIGNATION |
|------|------------|-------|--|-------------|------------------------|
| . | 3228-549X | | VINKELTRÆK SAMLET WINKELGETRIEBE GESAMMELT | | BEVEL GEAR ASSEMBLED |
| 1. | 1315-9500 | 2 | GEARHUS GEHÆUSE | | HOUSING |
| 2. | 1315-9501 | 1 | YDERSTE NAV AUSSER NABE | | OUTER HUB |
| 3. | 1315-9502 | 1 | INDERSTE NAV INNERE NABE | | INNER HUB |
| 4. | 1315-9503 | 2 | AKSEL WELLE | | SHAFT |
| 5. | 1315-9504 | 1 | MELLEMAKSEL WELLE | | SHAFT |
| 6. | 1315-9505 | 2 | TANDHJULSÆT ZAHNRADSATZ | | SPROCKET WHEELSET |
| 7. | 1315-9506 | 2 | AFSTANDSSTYKKE Distanzstueck | | DISTANCE PIECE |
| 8. | 1315-9507 | 2 | AFSTANDSRING 0,19 Distanzring 0,19 | | DISTANCE RING 0.19 |
| 9. | 1315-9508 | 2 | AFSTANDSRING 0,25 Distanzring 0,25 | | DISTANCE RING 0.25 |
| 10. | 1315-9509 | 2 | AFSTANDSRING 0,35 Distanzring 0,35 | | DISTANCE RING 0.35 |
| 11. | 1331-9909 | 2 | RULLELEJE ROLLENLAGER | | ROLLER BEARING |
| 12. | 1331-9910 | 2 | RULLELEJE ROLLENLAGER | | ROLLER BEARING |
| 13. | 1331-9994 | 2 | RULLELEJE KONISK 30208A ROLLENLAGER 30208A | | ROLLER BEARING 30208A |
| 14. | 1331-9911 | 1 | RULLELEJE ROLLENLAGER | | ROLLER BEARING |
| 15. | 1331-9912 | 1 | RULLELEJE ROLLENLAGER | | ROLLER BEARING |
| 16. | 1332-3602 | 2 | OLIETÆTNINGSRING 35-72-10 DICHTUNGSRING 35-72-10 | | OIL SEAL 35-72-10 |
| 17. | 1332-4801 | 1 | OLIETÆTNINGSRING M 40-80-10 DICHTUNGSRING M 40-80-10 | | OIL SEAL M 40-80-10 |
| 18. | 1332-4401 | 1 | OLIETÆTNINGSRING M40-52-7 DICHTUNGSRING M40-52-7 | | OIL SEAL M40-52-7 |
| 19. | 1255-6101 | 4 | LÅSERING 72 MM INDVENDIG SICHERUNGSRING 72 MM INNEN | | SNAP RING 72 MM INNER |
| 20. | 1255-8102 | 1 | LÅSERING 100 MM INDVENDIG SICHERUNGSRING 100 MM INNEN | | SNAP RING 100 MM INNER |
| 21. | 1255-7102 | 1 | LÅSERING 80 MM INDVENDIG SICHERUNGSRING 80 MM INNEN | | SNAP RING 80 MM INNER |
| 23. | 1315-9516 | 4 | PASSKIVE 62-72-0,25 SCHEIBE 62-72-0,25 | | WASHER 62-72-0.25 |
| 24. | 1315-9517 | 4 | PASSKIVE 62-72-0,3 SCHEIBE 62-72-0,3 | | WASHER 62-72-0.3 |
| 25. | 1315-9518 | 4 | PASSKIVE 62-72-0,5 SCHEIBE 62-72-0,5 | | WASHER 62-72-0.5 |
| 26. | 1241-9405 | 4 | PASSKIVE 45 72-2 SCHEIBE 56 72-2 | | WASHER 56 72-2 |

CLICK HERE TO **DOWNLOAD** THE COMPLETE MANUAL

- Thank you very much for reading the preview of the manual.
- You can download the complete manual from: www.heydownloads.com by clicking the link below



- Please note: If there is no response to CLICKING the link, please download this PDF first and then click on it.

CLICK HERE TO **DOWNLOAD** THE COMPLETE MANUAL