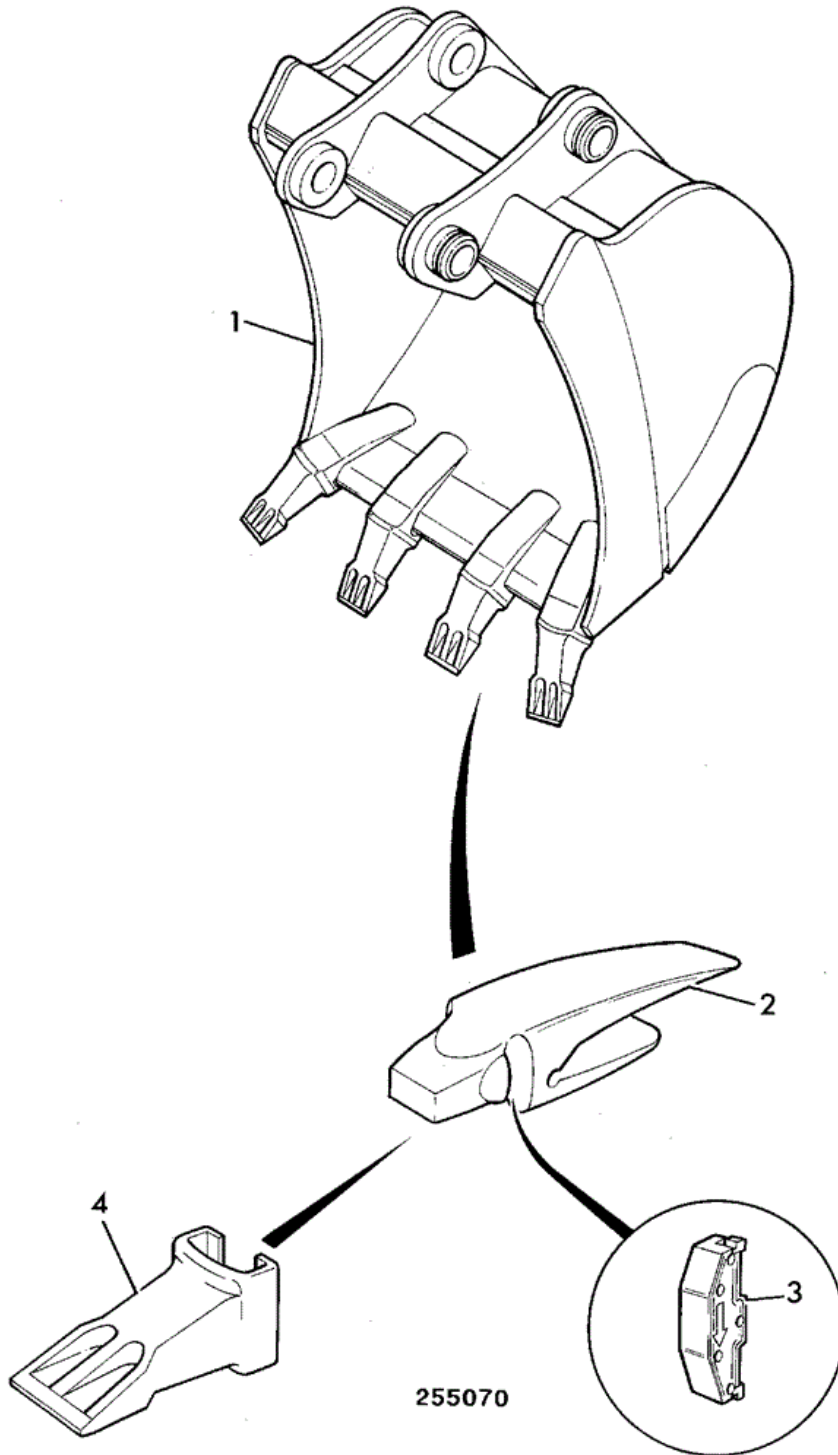




# 9802/5730 A2-1-1 BUCKET 500MM WIDE 0.235 CUBIC METRES



Item	Part #	Change No	Description	Usage Code	QTY
1	981/00400		Bucket GP 500mm wide		1

CLICK HERE TO **DOWNLOAD** THE COMPLETE MANUAL

- Thank you very much for reading the preview of the manual.
- You can download the complete manual from: [www.heydownloads.com](http://www.heydownloads.com) by clicking the link below

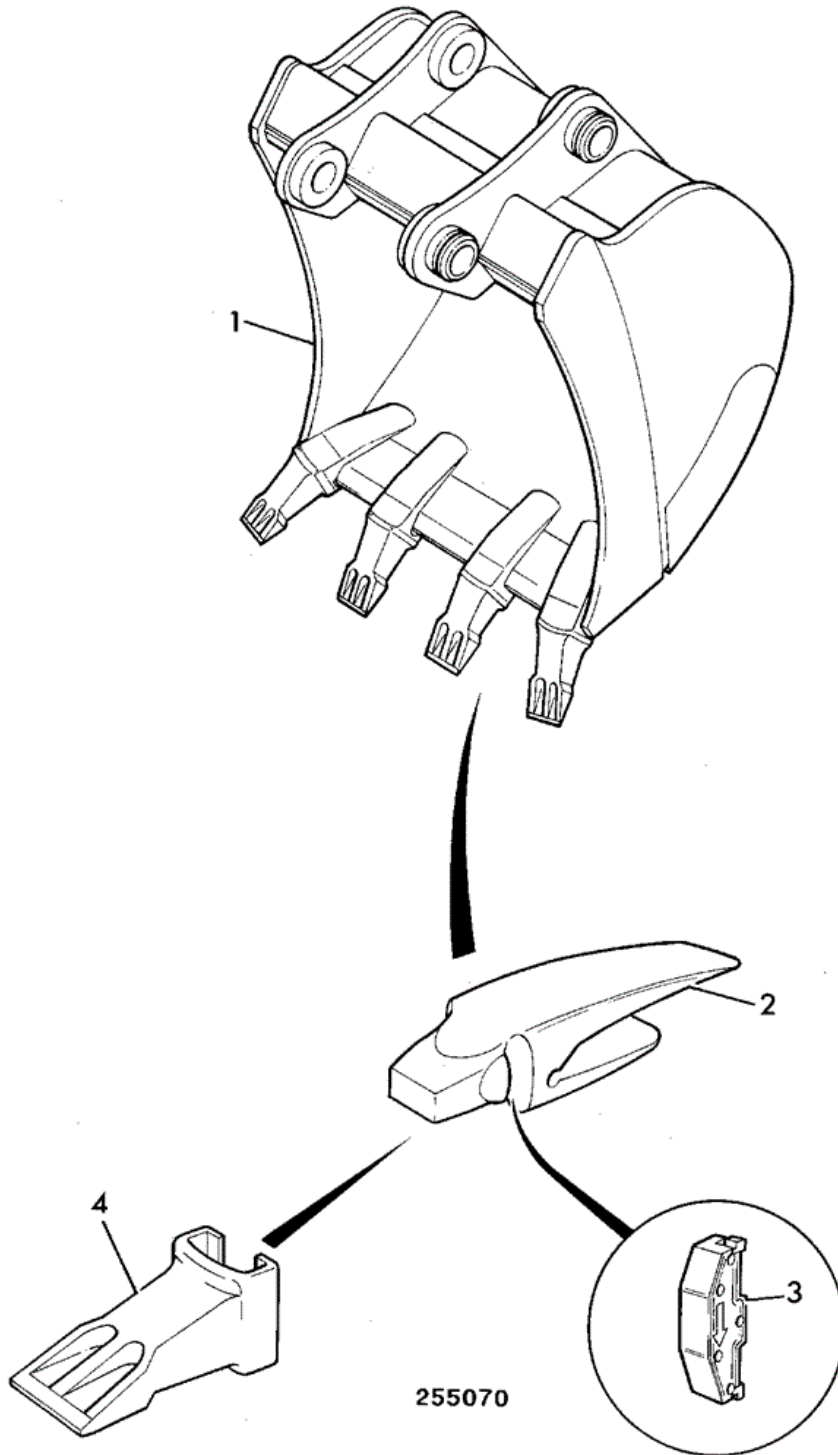


- Please note: If there is no response to CLICKING the link, please download this PDF first and then click on it.

CLICK HERE TO **DOWNLOAD** THE COMPLETE MANUAL



# 9802/5730 A2-1-6 BUCKET 900MM WIDE 0.550 CUBIC METRES

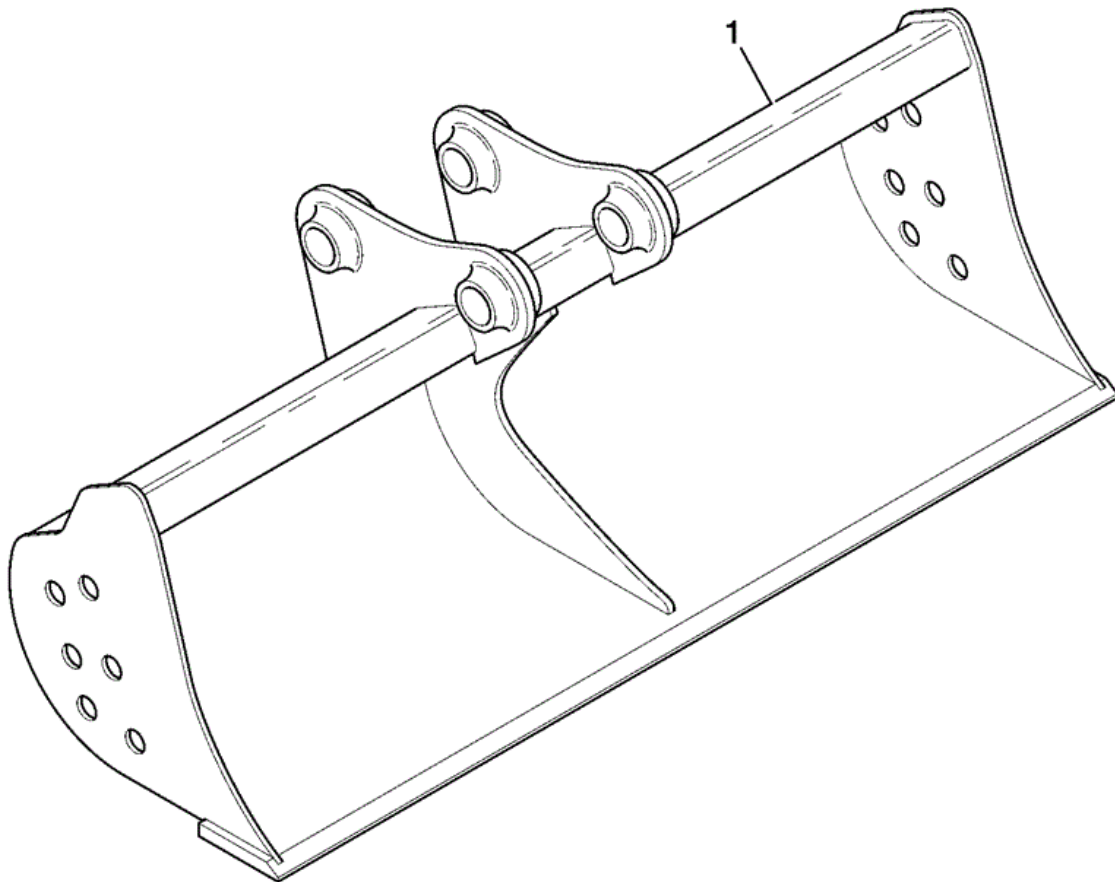


Item	Part #	Change No	Description	Usage Code	QTY
1	981/00405		Bucket GP 900mm wide		1



# 9802/5730 A2-3-2 BUCKET GRADING/DITCHING 1524MM.

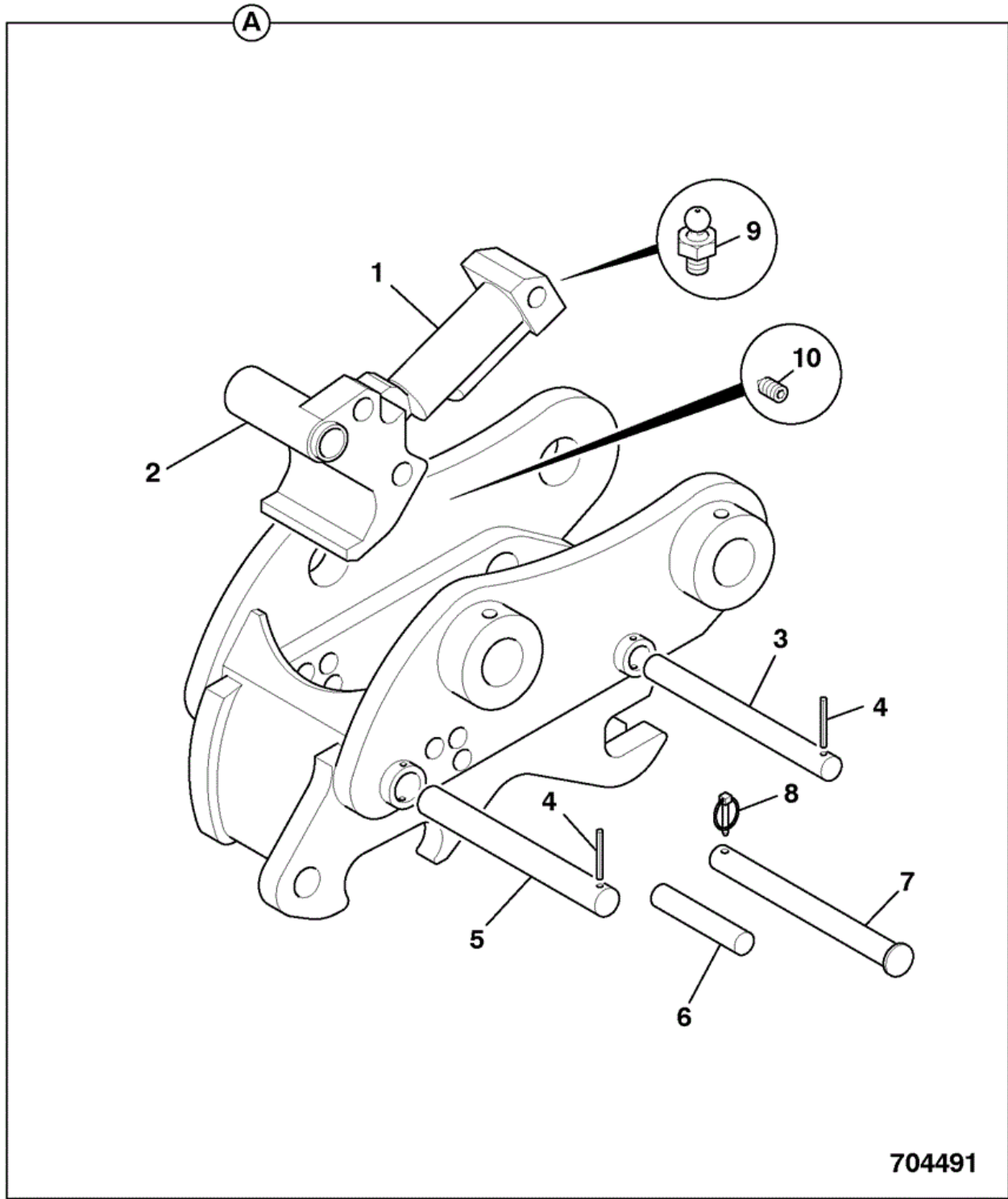
WIDE



708500

Item	Part #	Change No	Description	Usage Code	QTY
1	980/86140		Bucket grading, 1524mm. 60"		1

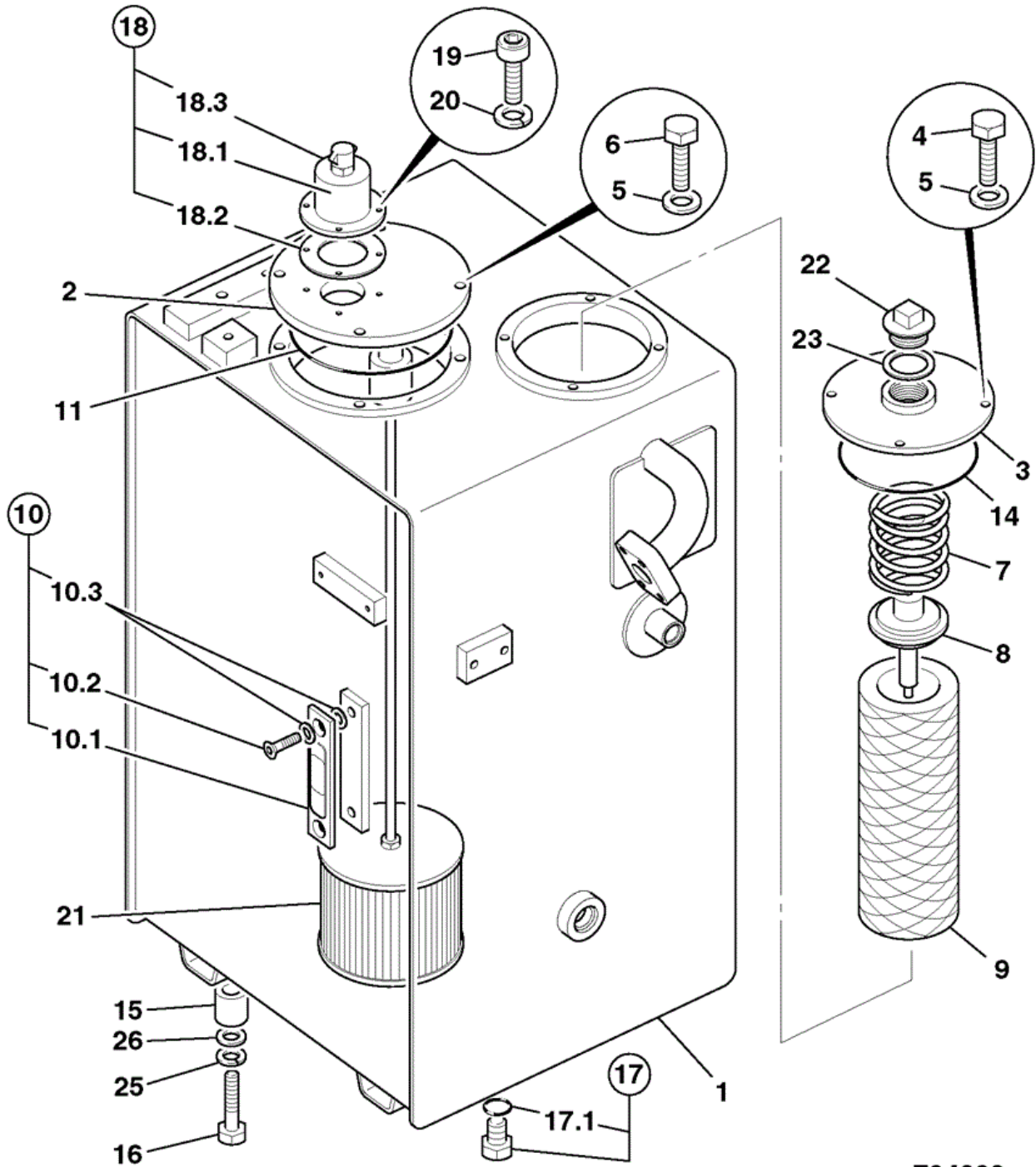
**JCB** 9802/5730 A3-2-10 QUICKHITCH, M.P.G. HYDRAULIC MILLER



704491

Item	Part #	Change No	Description	Usage Code	QTY
A	980/89260		Quickhitch MPG JS130		1

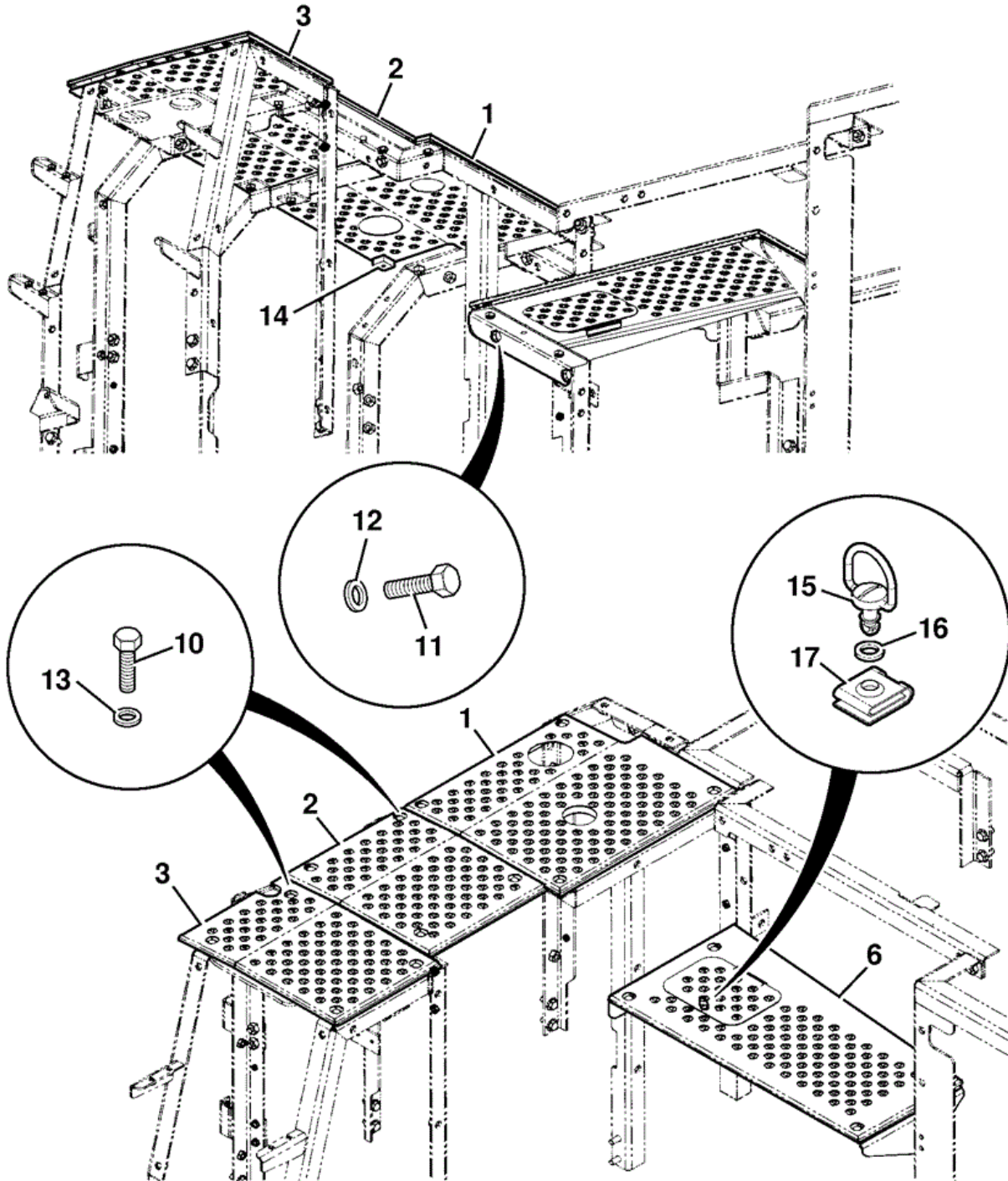
**JCB** 9802/5730 B1-3-1 TANK, HYDRAULIC



734030

Item	Part #	Change No	Description	Usage Code	QTY
1	215/11981		Tank hydraulic ABI		1
2	:KNJ1822		Cover sump		1

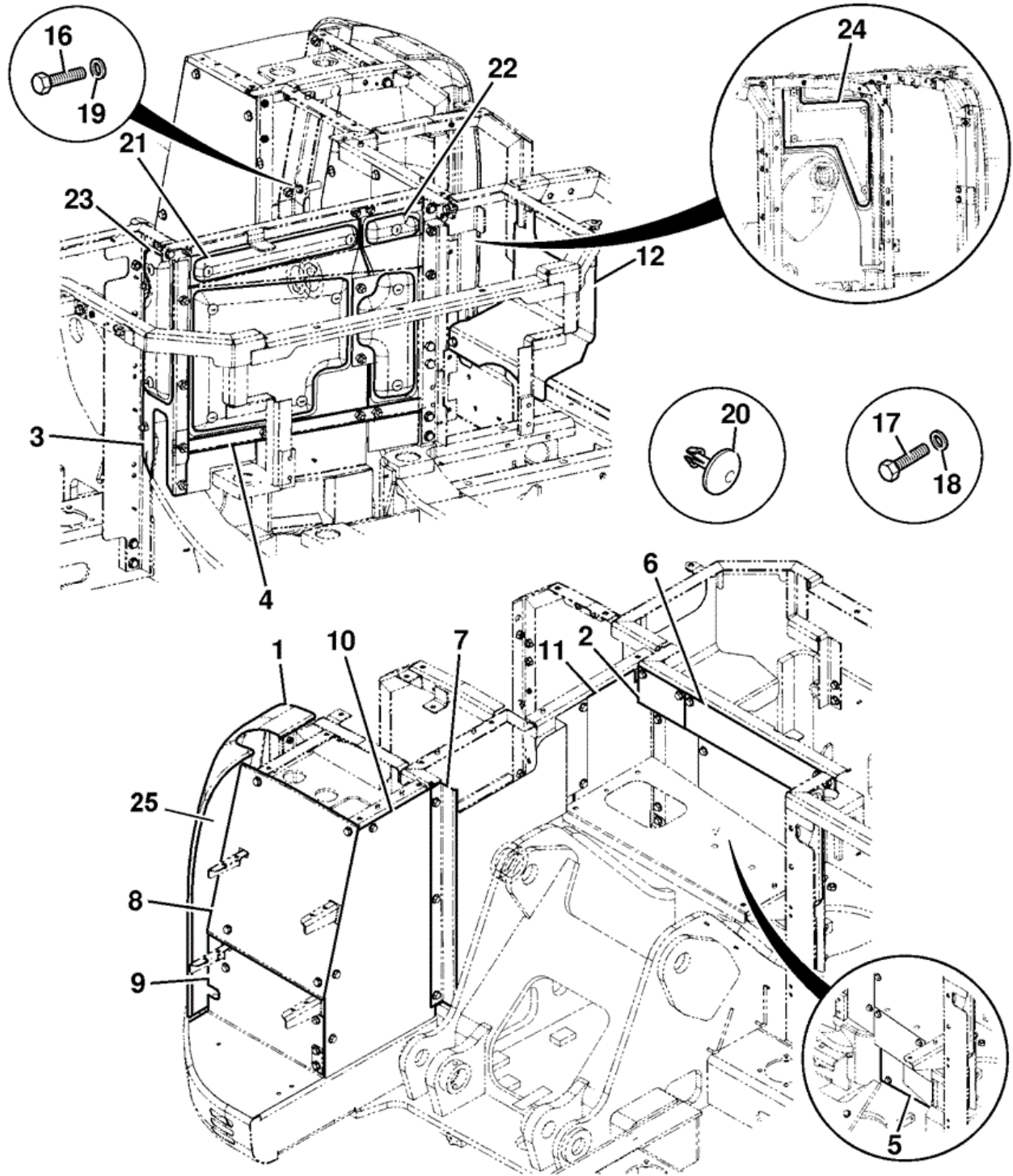
**JCB** 9802/5730 B1-5-15 TREAD PLATES



726781

Item	Part #	Change No	Description	Usage Code	QTY
1	335/06524		Plate tread		1
2	335/06525		Plate tread		1

**JCB** 9802/5730 B1-5-40 COWLINGS ENGINE BULKHEAD



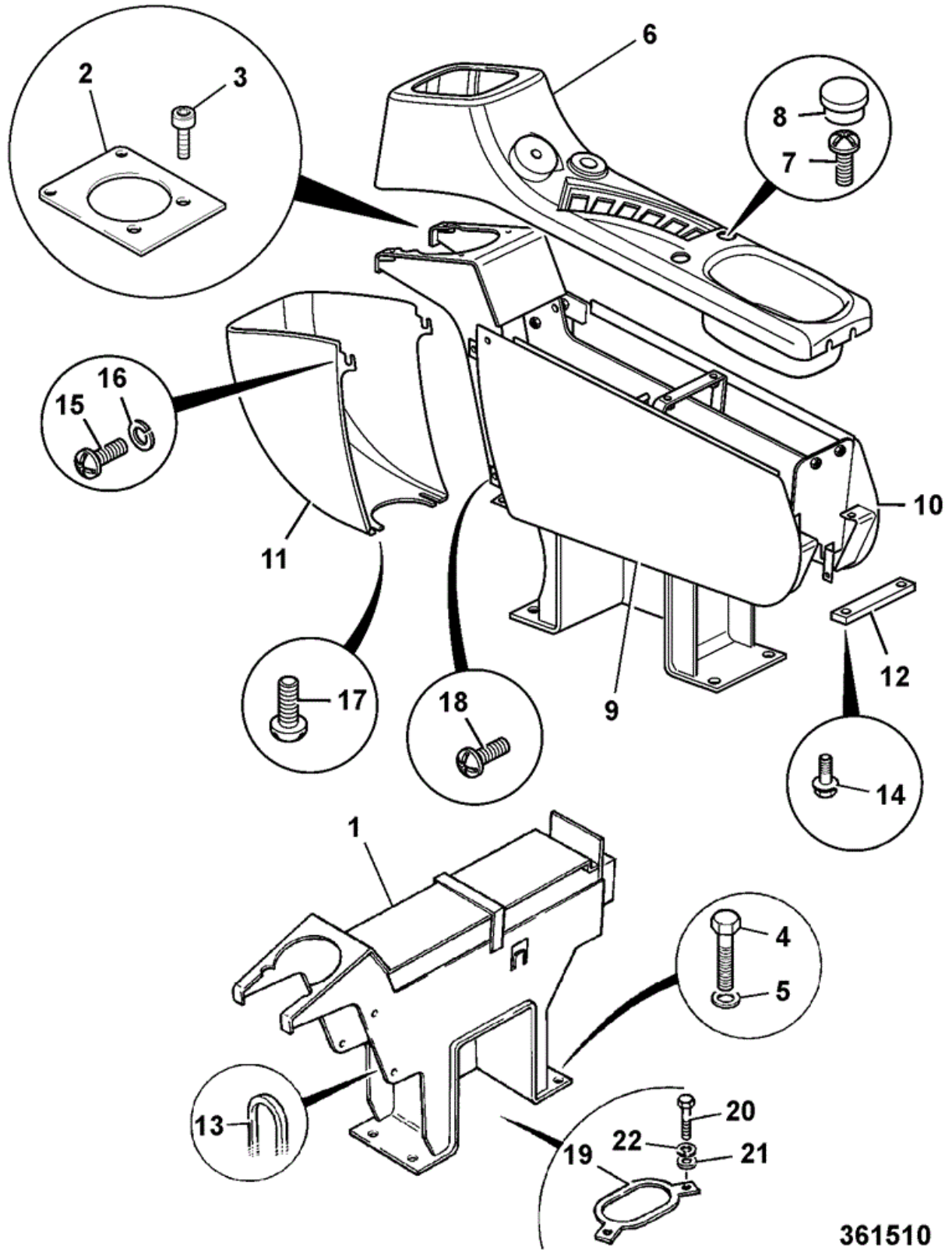
726821

Item	Part #	Change No	Description	Usage Code	QTY
1	335/06020		Cover front pressing right hand		1
2	335/06899		Panel rear right hand side		2

50	1316/0408Z		Screw M10x30		4
51	1316/3418Z		Bolt		2
52	1420/0008Z		Washer (M10)		24
53	1371/0303Z		Nut		4
54	335/09076		Handle grab		1

2	1316/3514		Bolt hex. head	4
3	1316/3516		Bolt	2
4	826/01649		Bolt Dome Head Tuf-lock	1
5	JHP0042		Washer M12	8
6	1371/0401		Nut	2

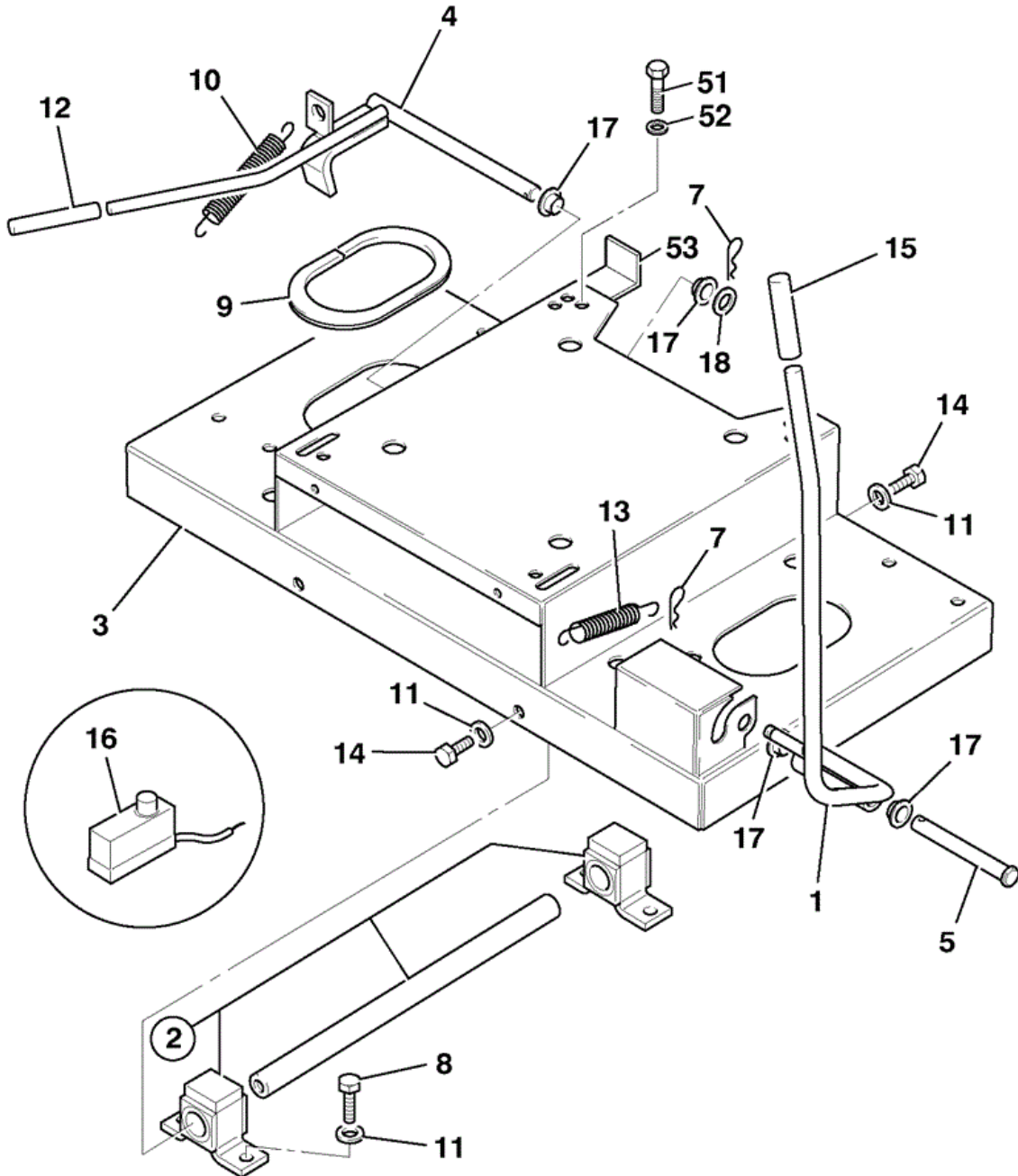
3	::40/212003	Superseded	Kit foam, back	1
3	::40/202804		Kit-back foam	1
4	::40/910630		Kit-seat cover	1
5	::6900/0020		Kit seat foam	1
6	****		None serviced part	1
7	:6900/0021		Kit cable adjustment	1
8	:6900/0022		Kit-spring height riser	1
9	:40/910502		Kit armrest LH & RH & fixings	1
10	:6900/0024		Damper assembly	1
11	:40/213001		Kit-suspension assembly	1
12	:40/910631		Adjuster black handle	1
13	:40/205614		Kit knob/weight adjuster	1
14	:40/205613		Kit-upstop/bumpstop	1
15	:6900/0027		Handle assembly, grey	1
16	:6900/0028		Kit height riser	1
17	:6900/0029		Kit-suspension cover	1
18	:40/205617		Kit bearing	1
19	40/910607		Headrest	1
20	40/910394		Kit 24v heater	1
24	259/27700		Belt seat lap, assembly	1
31	1391/3305Z		Capscrew	4
32	1420/0007Z		Washer (M8)	4
33	1370/0203Z		Nut Nut M8	4
51	1391/3307Z		Capscrew M8x25mm	1
52	1420/0007Z		Washer (M8)	1
53	331/21990		Bracket Seatstop	1
54	701/60031		Panel Switch 24V	1
55	701/58852		Decal heated seat white lens	1



361510

Item	Part #	Change No	Description	Usage Code	QTY
1	335/01348		Stand console right side <i>Standard build</i>		1
1	335/06958		Stand console, right hand Dozer option <i>Dozer option</i>		1
2	331/18592		Plate Mounting Control Valve		1
3	KHR0737		Screw Pan Head		4

**JCB** 9802/5730 B2-10-1 FLOOR COMPONENTS SEAT SLIDE LEVER ISOLATOR



331282

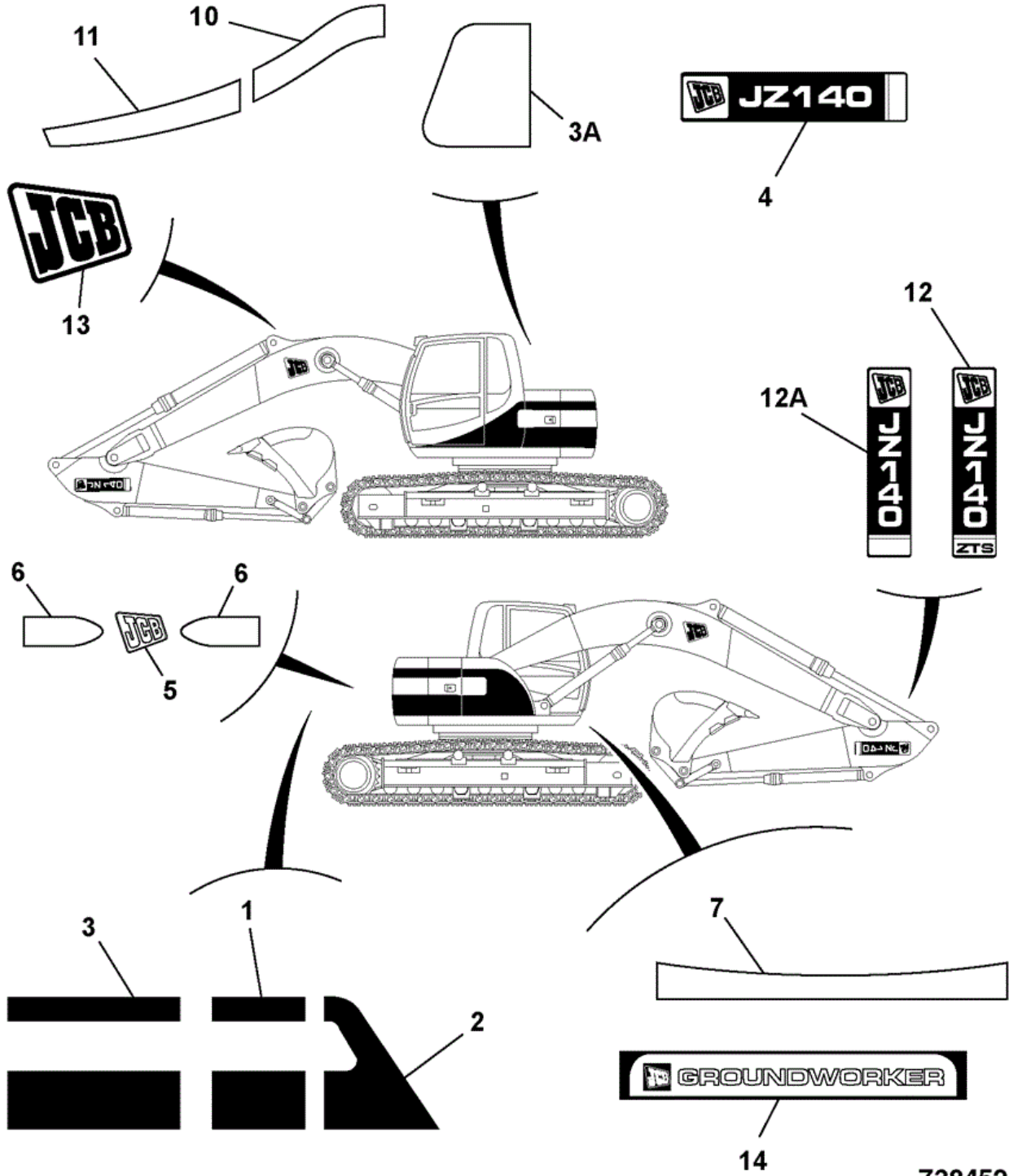
Item	Part #	Change No	Description	Usage Code	QTY
1	JHN0210		Lever lock		1

3	:331/62813	Bracket Front Retainer	1
4	:331/43255	Guard front deflector	1
5	:331/43256	Guard rear	1
6	:331/43257	Guard door	1
7	:331/43258	Guard quarter	1
8	:331/43259	Guard boom side front hinged	1
9	:331/43260	Guard boom side rear hinged	1
10	:331/43261	Handle plastic boom side guard	1
11	:331/43262	Bracket plastic front lower lock	1
12	:331/43263	Channel front panel	1
13	:331/43264	Channel front	1
14	:331/43265	Channel right hand side hinging	1
15	:331/43266	Channel left hand side hinging	1
16	:331/43267	Bar right hand side roof	1
17	:331/43268	Bar left hand side roof	1
18	:331/43269	Template drill guard	1
19	:331/43270	Rack roof storage	1
20	:331/43271	Kit-fixing parts, vandal guard	1
21	:331/44932	Lock assembly, snap	1
22	:331/44934	Key snap lock	1

27	UJF0045		Connector <i>For dipper greasing</i>	2
28	KMV0932		Hose nylon <i>For dipper ram greasing</i>	1
29	6009/3723Z		Bolt <i>For item 16</i>	2
30	BLP1188		Adapter <i>Item 28 to dipper ram</i>	1
31	998/10856		Kit-pin & bush JS130 Arm to boom <i>Pivot pin kit Boom/Dipper</i>	1
31A	:811/90376		Pin Pivot Boom Base	1
31B	831/10304		Bush	2
32	998/10857		Kit-pin & bush JS130 Boom to frame <i>Boom to mainframe</i>	1
32A	:811/90468		Pin pivot	1
32B	:831/10305		Bush	2

1	JG0NV412		Link bucket		1
1	JNV1404		Link bucket <i>Max lift</i>		1
1	JG0NV413		Link bucket with bushes <i>Max lift</i>		1
2	:JNV0020	Superseded	Link bow shackle <i>1 tonne, part of JNV1400</i>		1
2	:918/66900		Shackle bow SWL 1 ton, 7/8" dia shaft		1
2	:JNV0025		Link bow shackle <i>7.6 tonne, part of JNV1404</i>		1
3	JNV1580		Bush steel		2
4	JNV1580		Bush steel		2
5	KHV0098		Seal Dust		4
6	JHP0037		Nipple Grease Straight		4
7	JNV1402		Link arm, left hand		1
8	JNV1403		Link arm, right hand		1
9	KHV0114		O Ring		2
10	KHV0111		O Ring		2
11	JNV0087		Pin pivot		1
12	JNV0088		Pin pivot		1
13	KNV0464		Pin special		2
14	KAV0743		Ring		2
15	BHV1034		Shim - OD120 ID66 1.2mm Thick		2
16	BHV1034		Shim - OD120 ID66 1.2mm Thick		2
17	KNV0484		Pin attachment		1
18	KNV0485		Pin attachment		1
19	6009/3724Z		Bolt		1
20	6009/3724Z		Bolt		1
21	172R016VZ	Superseded	Nut high strength, M16		4
21	173R016VZ		Nut		4
22	KHV0098		Seal Dust		2
23	JNP0042		Decal SWL 1000kg		2

**JCB** 9802/5730 B5-1-1 DECALS, MACHINE

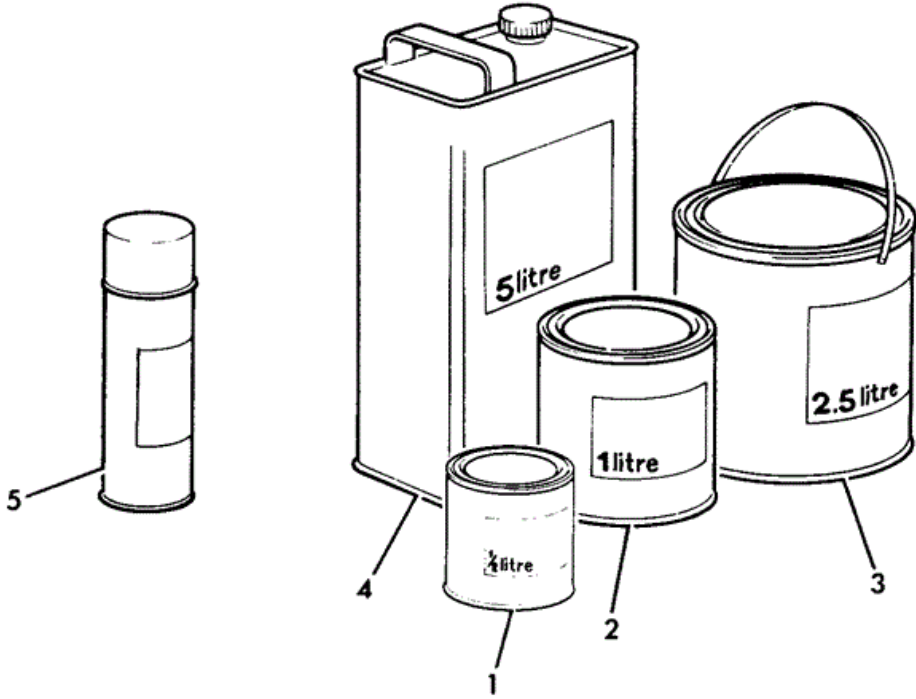


738452

Item	Part #	Change No	Description	Usage Code	QTY
1	817/19410		Decal battery bay		1
2	817/19409		Decal fuel tank		1



# 9802/5730 B5-5-1 PAINT



154940

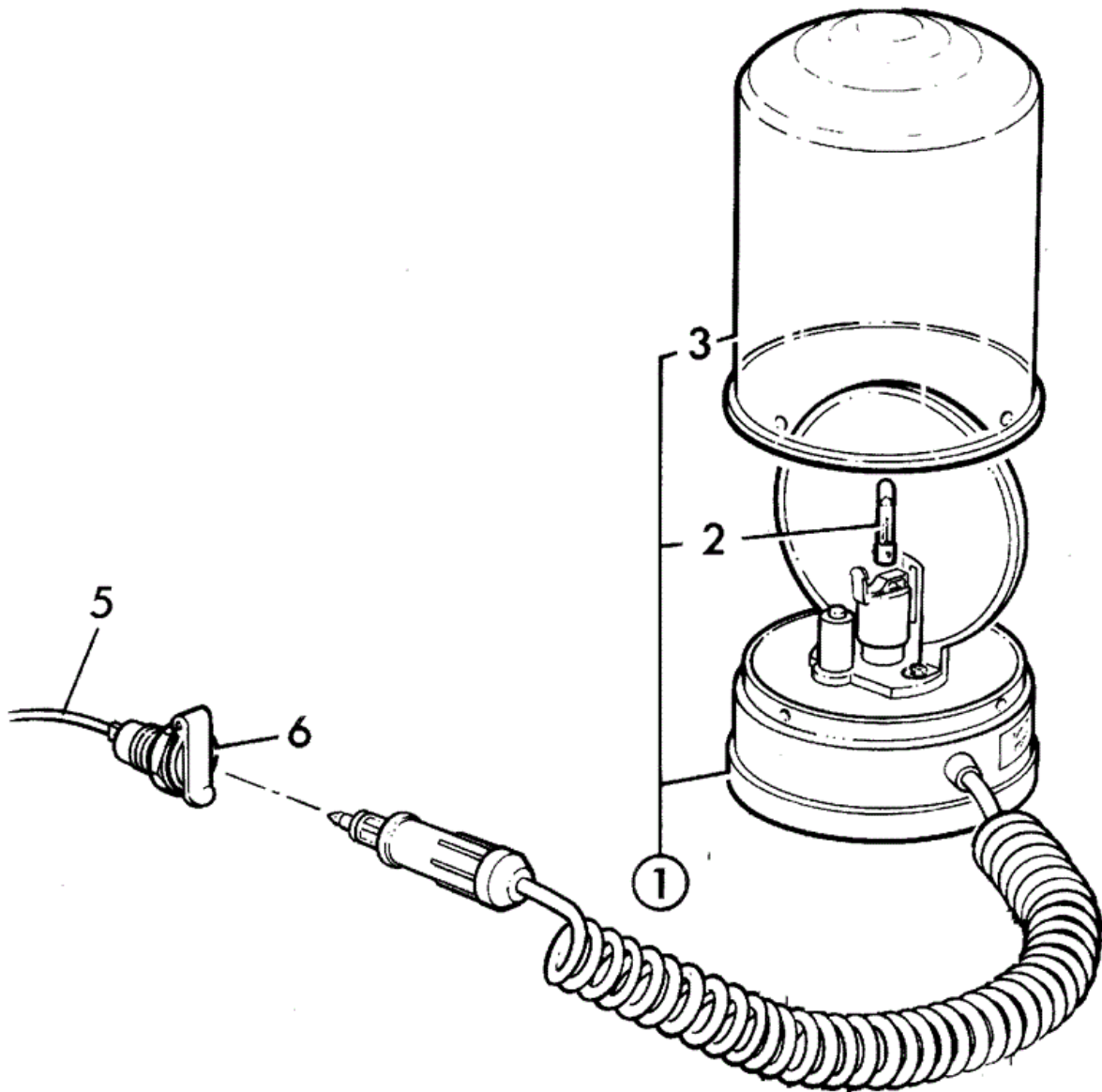
3	KHR0611		Screw pan head	4
4	1316/0305D		Screw M8 X 20	4
5	1316/0405D		Screw M10 x 20	1
6	1316/9403D		Bolt M4 X 16	4
7	1420/0004D		Washer plain M4	4
8	1420/0007D		Washer (M8)	4
9	6063/0008Z		Washer starlock	1
10	242/00290		Tie Panel Fixing Cable	4
11	331/17400		Bracket Earth Harness	1
12	6012/0198Z		Screw pan head	1
13	701/58826		Actuator Switch Front Worklights	1
14	701/58853		Cap decal, boom priority	1
15	701/58855		Decal mute, radio <i>Radio use with item 17</i>	1
16	701/58906		Cover decal, cab interior	1
17	701/60000		Switch 12V	1
18	701/60030		Switch 24V	1
19	701/60031		Panel Switch 24V	1
20	701/60041		Switch 24V	1
21	701/80214		Switch Redundancy locking	1
22	JHR0174		Relay 24 volt	1
23	717/12900		Lighter cigarette 12 volt	1
24	717/20154		Convertor volt 24 volts to 12 volts	1
25	721/11637		Harness fascia	1
26	721/11636		Harness cab JZ140	1
26-1	:704/50030		Diode	8
27	701/80369		Switch panel, fascia	1
28	728/19700	Superseded	Unit EMS monitor	1
28	728/80074	>01.01.06	Unit EMS monitor Auto models	1
29	728/25000	Superseded	Unit electronic control	1
29	728/80071	Superseded	Unit ECU1 Mk3 Programmed unit	1
29	728/29900		Unit ECU1 MK3	1
31	1391/3407D		Capscrew M10 x 25mm	3
32	1420/0008D		Washer (M10)	3
33	331/36328		Harness cab radio & interior lights <i>Radio and cab lights only</i>	1
34	6900/0564		Aerial	1
35	2410/1209		Grommet	2
36	1316/0103D		Screw	1

3	335/07083		Bracket	1
4	32/925669		Elbow	1
5	701/80310		Switch Push Button	1
6	JAH0011		Clip mounting	2
7	834/10901		Hose refuelling 3500mm long	1
8	834/10904		Hose refuelling 2000mm long	1
9	1316/0507D		Setscrew M12 x 25 grade 10.9	2
10	1316/0405D		Screw M10 x 20	2
11	1315/0105Z		Setscrew M5 x 20	2
12	1420/0009D		Washer (M12)	2
13	1420/0008D		Washer (M10)	6
14	1425/0005Z		Washer Spring (M5)	2
16	331/44613		Plate	1
17	JNN0047		Strip edging	1
18	JNN0048		Strip edging	1
19	2201/0007		Clip Wormdrive	4
22	335/10650		Bracket pump mounting JZ140	1
23	721/12095		Harness fuel pump	1
24	KMR0242		Clip	1
25	1316/0407D		Screw	2
26	1316/0410D		Bolt M10 x 40mm	2

2	:1812293820		Bolt		3
3	****		T.B.A		1
4	:1812700010		Regulator assembly		1
5	:1812190560		Rectifier assembly		1
6	:1812293890		Terminal		1
7	:5812291920		Bolt		1
8	:1812290420		Bush insulating		1
9	:1812230050		Fan alternator		1
10	:714/27202		Pulley alternator		1
11	721/11372		Harness alternator lead		1

A	332/J3373		Heater unit assembly <i>See C3-5-11</i>	1
1	:1		Link Shipping	44
2	:30/925898		Grommet	1
3	:30/925900		Screw	6
4	:1		Link Shipping	2
5	:30/925906		Washer shoulder 6.2 I/D	1
6	:1		Link Shipping	1
7	:1		Link Shipping	2
8	30/926000		Coil heater	1
9	****		None serviced part	1
10	:1		Link Shipping	2
11	:1		Link Shipping	2
12	:1		Link Shipping	1
13	:1		Link Shipping	1
14	:30/926004		Seal flap	1
15	:1		Link Shipping	1
16	1		Link Shipping	1
17	:1		Link Shipping	1
18	:1		Link Shipping	1
19	:30/926005		Actuator 12v	1
20	:30/926177		Unit PW module	1
21	:1		Link Shipping	6
22	:1		Link Shipping	1
23	:1		Link Shipping	1
24	:1		Link Shipping	1
25	:30/926006		Filter recirculating	1
26	:30/926020		Filter fresh air	2
27	:30/926021		Seal filter cover	1
28	:30/926022		Harness heater unit	1
29	:1		Link Shipping	2
30	:1		Link Shipping	2
31	:1		Link Shipping	1

**JCB** 9802/5730 C3-9-1 LIGHT, BEACON HAZARD WARNING  
AMBER



**141593**

53	:332/D9723	Plate TXV blanking	2
54	:332/D9735	Screw no.10 truss head no.8-15x.280	12
55	:332/D9736	Screw no.8-15x7/16	1
56	:332/D9737	Actuator	2

2-1	:714/40289	Motor lower wiper	1
2-2	:714/40290	Arm lower wiper	1
2-3	:714/40291	Blade lower wiper	1
3	1430/0303Z	Screw	2
4	1420/0008Z	Washer (M10)	2
4A	1316/0407Z	Bolt High Strength	2
5	331/32190	Plate wiper mounting	1
6	701/60041	Switch 24V	1
7	701/58915	Cover switch, lower wiper	1
8	331/43487	Adapter plastic tee	1
9	KHR1178	Adapter fir tree <i>Not required. Remove from m/c</i>	1
10	KHR1179	Sleeve	1
11	1430/0303Z	Screw	2

3	1420/0006D		Washer (M6)	2
4	627/10446		Hose 1/4 290 ST-90	1
5	KNJ1846		Hose 1/4"BSP ST-90 x 500mm	1
6	MPJ2142		Hose 04 BSP LP x 650mm	1
7	KHJ0348		Adapter elbow	2
8	KHJ0341		Elbow 1/4 x 1/4	3
9	1604/0002	Superseded	Adapter	1
9	1604/2051		Adaptor	1
10	JHP0204		Washer back up	2
11	1406/0011		Washer Bonded (1/4")	2

4	627/10440		Hose	1
5	627/10439		Hose	2
7	335/07467		Pipe traction line	1
8	335/07468		Pipe traction line	1
9	335/07469		Pipe traction line	1
10	335/06781		Pipe traction line	1
11	331/40566		Bracket pipe	2
12	JRJ0126		Clamp	2
13	JLJ0054		Adapter 3/4	4
14	JHJ0080		Adapter	2
15	KNJ0605		Adapter Hose	2
18	1316/3516D		Bolt M12 x 70	2
19	1371/0403D		Nut	2
20	1316/0407D		Screw	4
21	1420/0008D		Washer (M10)	4

2A	:UBJ0158		O Ring		1
3	624/80025		Hose <i>Port P1 &amp; P2</i>		4
5	KHJ0341		Elbow 1/4 x 1/4 <i>Port PS</i>		2
5A	:LBQ0112		O Ring		1
6	KTJ0909		Hose <i>Port PS</i>		2
8	KNA0362		Hose <i>Port T1</i>		2
9	KNJ0604		Adaptor <i>Port T1</i>		2
9A	:LBQ0182		O Ring		1
10	KNA0358		Cushion Rubber		2
11	KNA0588		Cushion Rubber 395mm		2
12	KAR0017		Tie Harness Retainer		8
14	816/90780		Adapter <i>Rotary coupling ports 1&amp;2</i>		2
15	JLJ0128		Adapter 3/4 x M22 <i>Rotary coupling ports 3a, 3b, 4a &amp; 4b</i>		4
16	816/90274		Cap blanking 3/4"BSP Female <i>Rotary coupling ports 3a &amp; 4a</i>		2
17	816/15113		Adapter M16-3/8" BSP <i>Rotary coupling ports 5, 6 &amp; 9</i>		3
18	816/00437		Adapter 'T'		1
19	816/90044		Cap blanking 3/8"BSP Female <i>Rotary coupling ports 5 to 8</i>		4
20	JLJ0074		Adapter <i>Rotary coupling ports 7 &amp; 8</i>		2
21	816/90295		Adapter <i>Rotary coupling ports 10a 10b &amp; 10c</i>		3
22	816/90467		Cap Blanking 1/2"BSP Female <i>Rotary coupling port 10c</i>		1
23	816/40016		Adapter ,90 Deg. <i>Rotary coupling ports 10a &amp; 10b</i>		2

4-1	627/10023		Hose 08BSP HP x 2500mm <i>Soleniod valve to fan inlet</i>	1
4-2	627/10445		Hose <i>Motor outlet to Oil cooler return line</i>	1
4-3	KRJ3579		Hose 1/4" BSP ST-90 2000mm <i>Motor drain to cab manifold port T8</i>	1
4-4	627/10022		Hose <i>Pump port A4 to Solenion port P.</i>	1
4-5	JRJ0175		Hose hydraulic <i>Soleniod valve to return pipe</i>	1
5	816/90270		Adaptor tee 1/2"BSPF x 1/2"BSPM x 1/2"BSPM	1
6	1620/2055		Adaptor 39.5mm Long. M/M 1/2"BSP x 7/8"SAE	4
7	KHJ0343		Adapter Elbow 1/2 x 1/2	2
8	816/40016		Adapter ,90 Deg.	1
9	816/90618		Adaptor elbow 1/4	1
10	25/222397	<M1137072	Valve proportion solenoid Fan drive	1
10	25/222697		Valve solenoid proportional	1
12	JSR0049		Tube corrugated	1
13	1316/3212D		Bolt	2
14	1420/0006D		Washer (M6)	2

3	331/41709		Clamp	1
3	331/41708		Clamp inner	2
3	331/49032		Clamp outer	1
4	335/07031		Pipe bucket ram head side	1
5	335/07032		Pipe bucket ram rod side	1
6	335/07034		Pipe dipper arm ram rod side	1
7	335/07033		Pipe dipper arm ram head side	1
8	335/08656		Bracket valve	1
9	331/41704	Superseded	Bracket pipe support	1
9	335/07818		Bracket pipe support	1
10	JNV1036		Clamp pipe	1
11	JRJ0126		Clamp	1
12	816/13231		Adapter	1
13	KNJ0604		Adaptor	1
14	KNJ0605		Adapter Hose	1
15	KNJ0605		Adapter Hose	1
16	627/10372		Hose 10BSP x 2120mm	1
17	627/10370		Hose	1
18	627/10369		Hose	1
19	627/10371		Hose	1
20	1316/0407D		Screw	3
21	1420/0008D		Washer (M10)	7
22	826/11085		Bolt	4
24	1316/3514D		Bolt M12 x 60	2
25	1370/0303D		Nut Self Lock M10	2
26	1420/0009D		Washer (M12)	2
27	1391/3309D		Capscrew M8 X 35	2
28	1391/3319D		Capscrew M8 x 90mm	2

2	JNV0996		Pin pivot		1
3	JNV0997		Pin pivot		1
4	JNV1210		Clamp split flange, half		2
6	JNV1526		Hose hydraulic 1/2" ST/90 x 600mm		1
7	JNV1573		Hose hydraulic 1/2" 90/90 x 600mm		1
8	KSV0477		Shim plate 1.2mm thick		2
9	KSV0478		Shim plate 1.2mm thick		2
10	1391/3307D		Capscrew M8X25		4
12	1371/0701D		Nut Plain M20		4
13	2409/0201		O Ring		1
14	1316/3827D		Bolt M20 x 170		1
15	1316/3828D		Bolt M20 x 180 Lg		1
16	830/12273		Pipe position ram feed		1
17	830/12274		Pipe position ram return		1
18	JRJ0259		Clamp pipe		5
19	1316/3513D		Bolt		5
20	823/00394		Washer M12		5
21	4101/0500		Fluid Locking Loctite 262		0
22	****		Fluid Locking		0

B	****		'See Remark' <i>Dipper ram HBCV, see E4-2-10</i>	1
1	KNJ0759		Adapter	1
2	612/80040		Hose	1
3	331/48596		Bracket HBCV bulkhead	1
4	1316/3714D		Bolt M16 x 60mm	2
5	JHP0045		Washer	2
6	816/10023	Superseded	Adapter bulkhead	1
6	816/90057		Adaptor bulkhead M/M	1
7	JRJ0381		Hose nylon	1
8	KHJ0342		Elbow 3/8 x 3/8	1
9	KAR0016	Superseded	Tie Cable	11
9	826/01144		Tie Cable 200mm	11
10	KAR0017	Superseded	Tie Harness Retainer	12
10	270/00106		Tie Cable 385mm	12
11	KNJ1128		Hose nylon	2

			<i>See Note 1</i>	
0	980/89837		Kit Hammer/Aux. Auto AMS mainframe & boom LH <i>Alternative to 980/89836</i> <i>See Note 2</i>	1
1	:JLJ0064		Plug	1
2	:JHJ0119		Adapter	1
3-1	:627/10406		Hose	1
3-2	:627/10403		Hose	1
3-3	:627/10404		Hose	1
3-4	:627/10405		Hose - 3/4 2210 ST-ST	1
3-5	:627/10018		Hose	1
3-6	:627/10449		Hose	1
4	:BRJ0180		Adapter	2
4-1	::LBQ0292		O Ring	1
5	:331/44589		Manifold hammer	1
5A	:25/222216		Valve hammer auxiliary changeover <i>Circuit Breaker / auxiliary</i>	1
6	:JHP0042		Washer M12	6
7	:1316/0507D		Setscrew M12 x 25 grade 10.9	6
8	:KHJ0352		Elbow	1
8-1	::LBQ0292		O Ring	1
9	:KHJ0345		Elbow Adaptor Male	3
9-1	::LBQ0292		O Ring	1
10	:32/925602		Filter return	1
10A	::6900/0056		Element filter	1
11	:331/40627		Plate filter mounting	1
12	:1316/0307D		Screw	4
13	:1420/0007D		Washer (M8)	4
14	:1371/0401D		Nut M12	2
15	:KNJ0605		Adapter Hose	1
15-1	::LBQ0112		O Ring	1
17	:JNV0083		Adapter	1
19	:816/90712		Adapter	1

*Note 1: Rockbreaker installation, mainframe & boom kit, Left side feed line.*

*Note 2: See fitting instructions 9814/0476 for full component listing and diagrams.*

CLICK HERE TO **DOWNLOAD** THE COMPLETE MANUAL

- Thank you very much for reading the preview of the manual.
- You can download the complete manual from: [www.heydownloads.com](http://www.heydownloads.com) by clicking the link below



- Please note: If there is no response to CLICKING the link, please download this PDF first and then click on it.

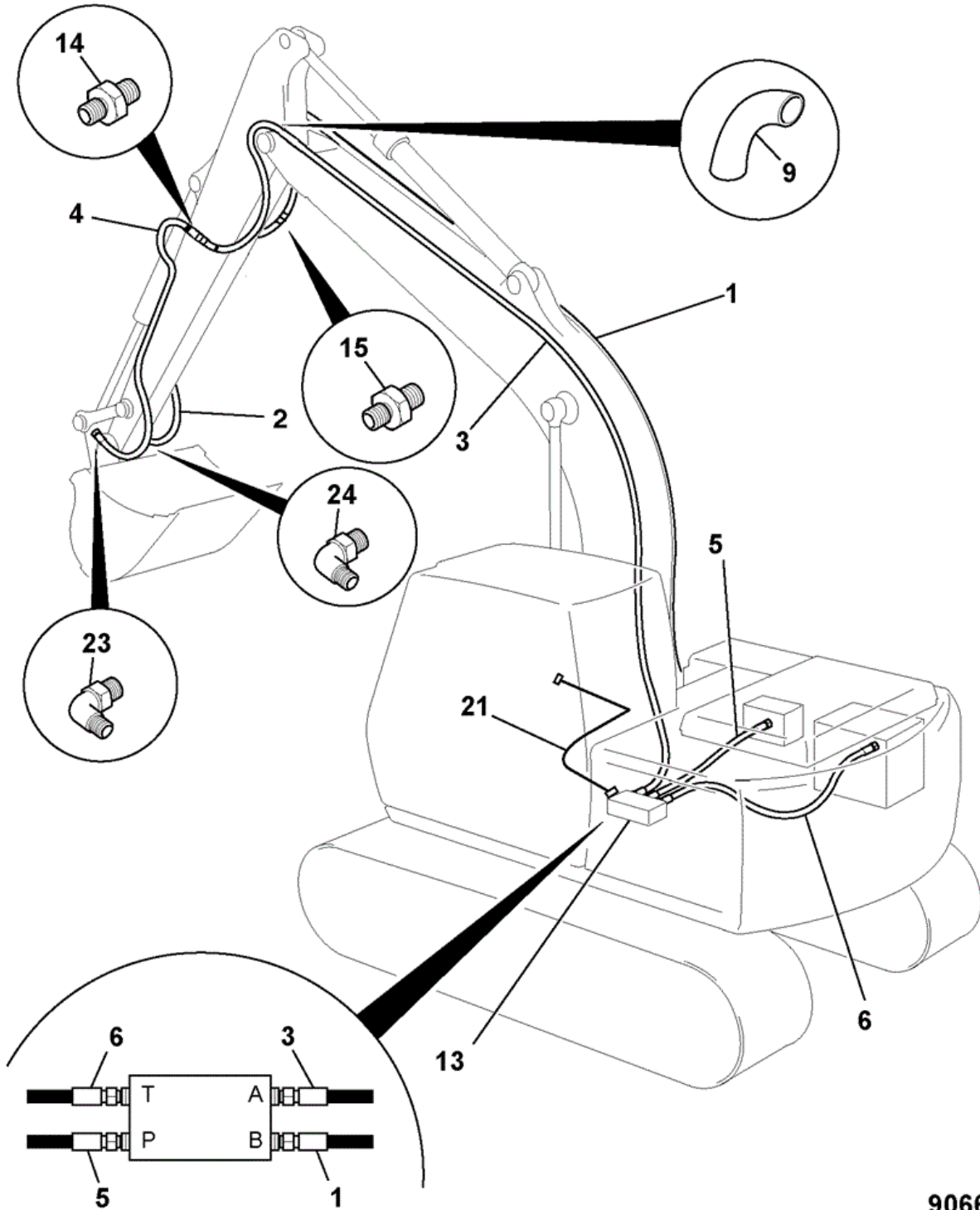
CLICK HERE TO **DOWNLOAD** THE COMPLETE MANUAL

2	335/06545		Pipe hammer return	1
3	627/10392		Hose	1
4	JNV1152		Pipe 2407mm Return	1
6	627/10391		Hose	1
7	335/06544		Pipe hammer feed	1
9	JRJ0349		Clamp pipe	4
10	1316/3516D		Bolt M12 x 70	4
10A	1316/3514D		Bolt M12 x 60	4
11	KRV0548		Clamp	4
12	823/00394		Washer M12	9
13	KBJ1595		Clamp pipe	1

2	JNV1458		Hose		1
3	830/12086		Pipe		1
5	JNV1499		Pipe grab left hand upper boom		1
6	JNV1525		Hose		2
7	830/12093		Pipe		1
8	830/12094		Pipe		1
9	JNV1500		Pipe grab right hand upper boom		1
10	830/12137		Pipe hammer return TAB upper boom		1
11	JNV1459		Hose		1
12	830/12087		Pipe		1
14	JNV1468		Clamp 1/2" x 3/4"		4
15	823/00394		Washer M12		12
16	1316/3514D		Bolt M12 x 60		6
17	1316/3512D		Bolt M12X50		2
18	JNV1502		Clamp top		2
19	JNV1503		Clamp base		2
20	JNV1469		Clamp 1/2" x 1"		4
21	1316/3516D		Bolt M12 x 70		4
22	821/10299		Clamp pipe		1
23	JNV1036		Clamp pipe		1

2-1	:721/11852		Switch & harness assembly	1
3	721/11758		Harness arm limiter JS160	1
4	335/07569		Cover sensor JS Arm limiter	1
5	829/31047		Spacer	2
6	627/10199	<M	Hose 3/82BSP ST-90 x 950mm	1
6	KHJ1039		Hose nylon	1
7	KTJ1627		Hose 1000mm	1
8	25/221009		Valve solenoid	1
9	1316/3213D		Bolt BOLT M6 x 55lg grade	2
10	KNJ0759	<M	Adapter	4
10	KNJ0759		Adapter	3
11	KHJ0342		Elbow 3/8 x 3/8	1
12	1315/3313D		Bolt M8 x 55mm	3
13	1420/0007D		Washer (M8)	5
14	701/80244		Switch proximity lift arm reset	1
15	716/10700		Plug single diode 2 way	1
16	JHR0174		Relay 24 volt	1
17	701/80493		Switch rocker 24V c/w lock	1
18	KAR0016	Superseded	Tie Cable	10
18	826/01144		Tie Cable 200mm	10
20	1316/0303D		Screw M8 x 16mm	2
21	1420/0006D		Washer (M6)	2
22	331/45936		Bracket solenoid valve	1
23	701/80306	>M	Switch parkbrake, locking 24V	1
24	335/09421	>M	Bracket relay	1
25	826/11010		Screw socket button head M5 x 12	1
26	1370/0001D		Nut (M5)	1

**JCB** 9802/5730 E1-60-6 QUICKHITCH INSTALLATION KIT

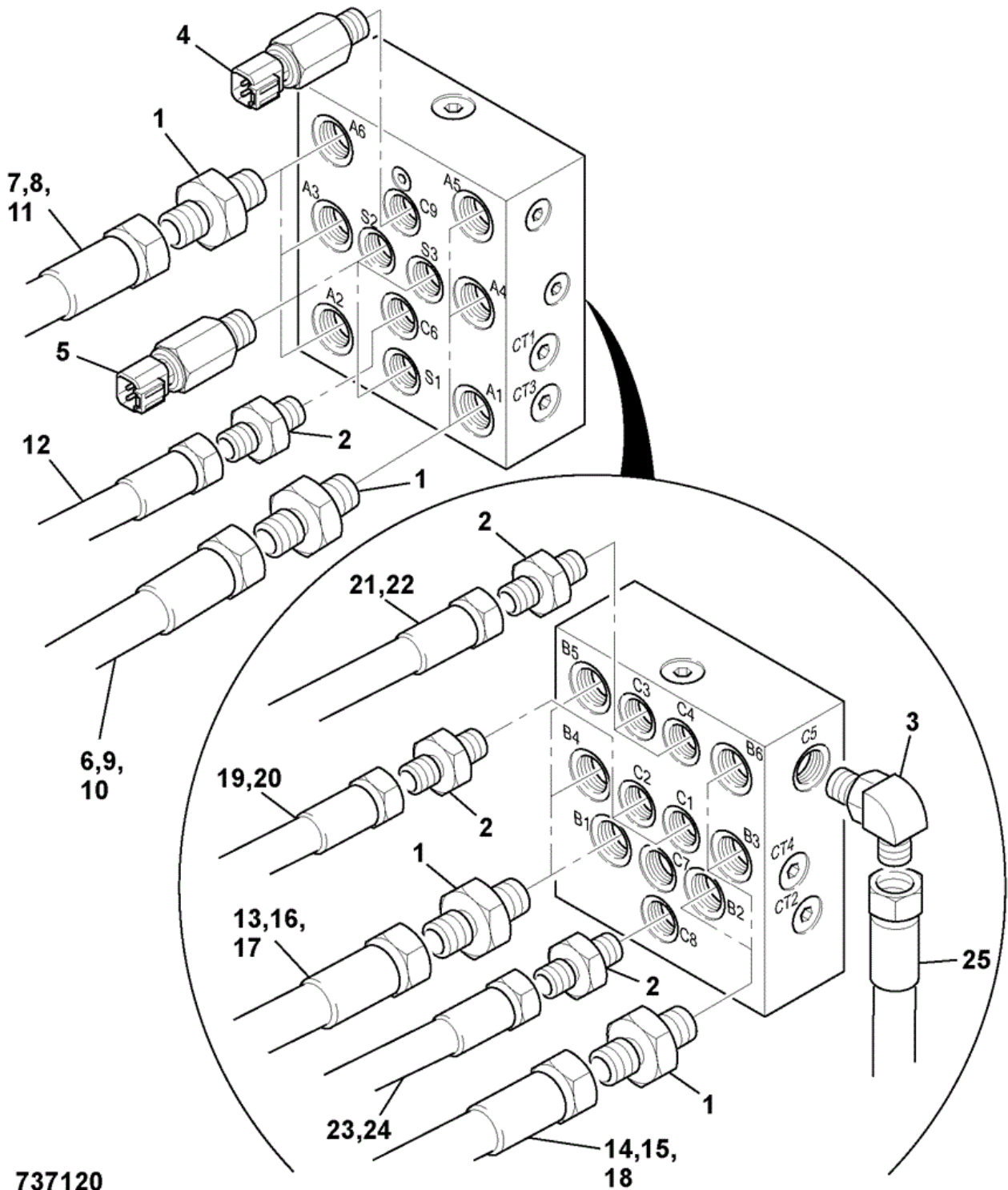


906661

Item	Part #	Change No	Description	Usage Code	QTY
A	980/A4720		Hydraulic Installation Kit <i>See Note 1</i>		1
1	:331/69488		Hose Blue 11000mm		1



## 9802/5730 E1-66-1 CIRCUIT, VALVE SHUTTLE



737120

Item	Part #	Change No	Description	Usage Code	QTY
1	KNJ0759		Adapter <i>Port A1, A2, A3, A4, A5, A6 &amp; B1</i>		7
2	KNJ0758		Adapter		2

26	627/10061		Hose <i>Arm 2. Port Pa9 to shuttle valve port C3</i>		1
27	JLV1634		Hose <i>Arm 2. Port Pb9 to shuttle valve port C4</i>		1
27	****		'See Remark' <i>Hammer merged option</i>		1
28	816/10023	Superseded	Adapter bulkhead <i>Fitted between items 22-22A &amp; 23-23A</i>		2
28	816/90057		Adaptor bulkhead M/M		2
29	JRJ0373		Bracket bulkhead adapter		1
30	1316/0301D		Screw		2

2	:828/10220		Seal O ring	1
3	:826/10908		Screw socket head shoulder	4
4	****		None serviced part	1
4-1	****		None serviced part	1
4-2	****		None serviced part	1
4-3	****		None serviced part	1
4-4	****		None serviced part	1
5	:828/10236		Seal ring	1
6	:20/950681	Superseded	Spring	1
6	****		None serviced part	1
7	:20/950684	Superseded	Poppet	1
7	****		None serviced part	1
7-1	::20/950682	Superseded	Seat spring	1
7-1	****		None serviced part	1
8	:828/10212		Seal O ring	1
9	:20/950679	Superseded	Nut	1
9	****		None serviced part	1
10	:20/950680		Screw adjusting	1
11	:826/10691		Screw skt head shouldered cap	2
12	:826/10692		Screw skt head shouldered cap	2
13	:20/950673	Superseded	Ring snap	1
13	****		None serviced part	1
14	****		None serviced part	1
15	:LLM0028		Plug	1
16	:LBQ0112		O Ring	1

2	1316/0709Z		Screw		4
3	JHP0043		Washer M16		4

B	****		<i>See E3-1-10</i>		1
1	****		None serviced part		1
32	:25/221690		Plug assembly		1
57	:25/221774		Poppet		1
58	:25/221775		Spring		1
59	:25/222349		O Ring		1
60	:25/221700		Seal O-ring		4
61	:25/222350		Valve Section assembly outlet		1
63	:1		Link Shipping		1
71	:25/222359		Rod Tie		2
72	:25/222360		Nut		2
73	:25/222361		Rod Tie		2
74	:25/222362		Nut		2
77	:25/222363		Valve Section assembly		1
77	****		Valve slice + bolt & seals TAB Build <i>TAB Section</i>		1

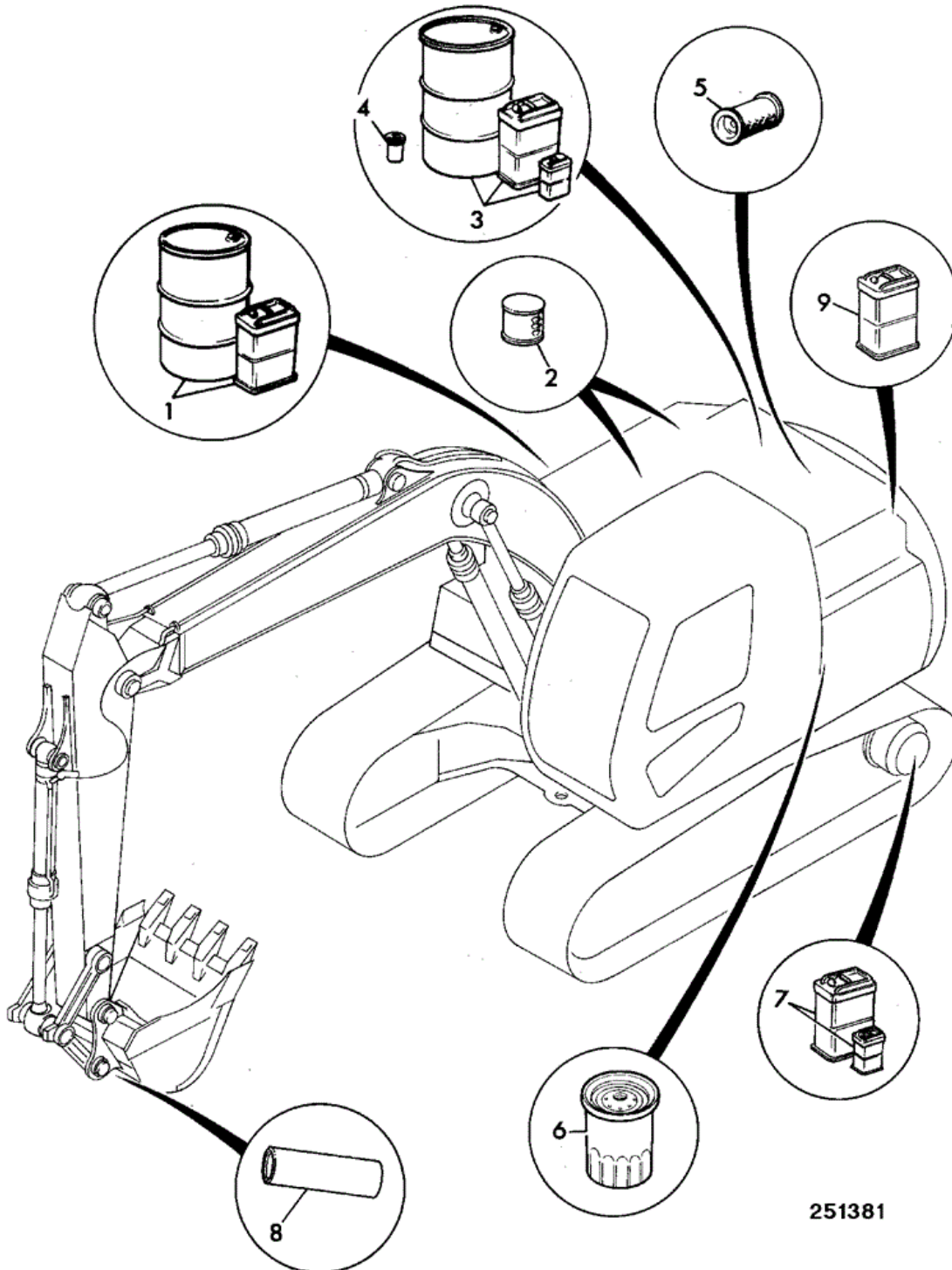
B	****		'See Remark' <i>See E3-1-10</i>	1
1	****		None serviced part	1
12	:25/222320		O Ring	20
13	:25/222322		Cap	9
14	:25/222323		Cap	1
15	:25/222324		Cap	1
16	:25/222325		Valve Poppet	8
17	:25/221678		Spring	9
18	:25/221686		Seal O-ring	11
19	:25/221685		Plug	9
21	:25/222328		Plug assembly	4
22	:25/222329		Plug	1
26	:25/222332		Valve poppet	1
32	:25/221690		Plug assembly	4
33	:25/222337		Sleeve	1
34	:25/222338		Valve poppet	1
35	:25/222339		Spring	1
36	:25/222340		Valve poppet	1
37	:25/222341		Spring	1
38	:25/221689		Seal O-ring	1
39	:25/222342		Flange	1
41	****		None serviced part	1
42	:25/221767		O Ring seal	2
43	:25/221635		Seat spring	4
44	:25/221765		Spring	2
45	:25/221766		End spool	2
46	:25/222343		Cap	1
47	:25/222344		Cap	1
48	****		None serviced part	1
56	:25/221790		Plug orifice	1
63-1	:25/222352		Valve relief 24.5 bar	4
63-2	:25/222353		Valve relief 29.4 bar	1
63-3	:25/222354		Valve relief 36.4 bar	9
65	:25/222355		Capscrew	40
66	:25/222356		Capscrew	4
68	:25/222358		Capscrew	2
69	:25/221692		Plug assembly	3
70	:25/221693		Plug assembly	2
88	:25/222366		O Ring	2
89	:25/221804		Plug assy.	2

2	****		None serviced part <i>Travel</i>	2
3	****		None serviced part <i>Option</i>	1
4	****		None serviced part <i>Swing</i>	1
5	****		None serviced part <i>Boom 2</i>	1
6	:25/222750		Spool Dipper arm 1 <i>Arm 1</i>	1
7	****		None serviced part <i>Arm 2</i>	1
8	****		None serviced part <i>Boom 1</i>	1
9	****		None serviced part <i>Bucket</i>	1
10	****		None serviced part <i>Travel</i>	1
11	:25/222321		Cap	9
12	:25/222320		O Ring	20
15	:25/222324		Cap	1
55	:25/222348		Valve relief	2
63	:25/222352		Valve relief 24.5 bar	4
63	:25/222353		Valve relief 29.4 bar	1
63	:25/222354		Valve relief 36.4 bar	9
65	:25/222355		Capscrew	40
88	:25/222366		O Ring	2
89	:25/221804		Plug assy.	2

3	:332/D7866		Valve cartridge		8
3A	::332/F0075		Kit-seal valve stem		1
4	:332/D6317		Coil		8
5	:332/D7867		Valve		1
6	:JHJ0050		Accumulator		1



## 9802/5730 E3-15-1 LUBRICANTS & FILTERS



Item	Part #	Change No	Description	Usage Code	QTY
1	4002/0801		Fluid hydraulic, JCB HP46 5 litre		1
1	4002/0802		Fluid hydraulic 46 25 litre		1

A	JRJ0344		Valve directional control <i>Weedcutter</i>	1
1	25/221169		Plate sub assembly	1
2	:25/103701		Coil solenoid valve	2
3	:35/100801		Kit-seal solenoid valve	1

2	JNV0919		Pipe assembly		1
3	JNV0922		Pipe assembly		1
4	JNV1572		Bracket <i>Pipe support</i>		1
5	JNV1571		Clamp <i>To item 4</i>		1
6	JNV1036		Clamp pipe <i>Secures items 2 &amp; 3</i>		2
7	1316/3410D		Bolt <i>Secures item 6</i>		2
8	1420/0008D		Washer (M10) <i>For item 7</i>		2
9	1371/0301D		Nut High Strength <i>For item 7</i>		2
10	1316/3515D		Bolt <i>Secures item 6</i>		1
11	1420/0009D		Washer (M12) <i>For item 10</i>		1
12	1371/0401D		Nut M12 <i>For item 10</i>		1
13	1391/3307D		Capscrew M8X25 <i>For items 2 &amp; 3 to ram</i>		8
14	2401/0201		O Ring <i>For items 2 &amp; 3</i>		2

3	JNV1030		<i>Secures item 4 to ram</i>	1
4	JNV1034		Bracket pipe <i>For item 2 to ram</i>	1
5	KRV0548		Clamp <i>Item 2 to item 4</i>	1
6	1316/3510D		Bolt M12x40 grade 10.9 <i>Secures item 5</i>	1
7	1420/0009D		Washer (M12) <i>For item 6</i>	1
8	1316/3509D		Bolt M12 x 35mm <i>Secures item 3 to 4</i>	2
9	1420/0008D		Washer (M10) <i>For item 8</i>	2
10	1370/0301D		Nut (M10) <i>For item 8</i>	1
11	1391/3409D		Capscrew M10x35mm <i>Item 2 to ram</i>	4
12	2407/0205		O Ring <i>Item 2 to ram</i>	1

1-1	::2411/8609		Seal wiper 65mm rod	1
1-2	::2411/0509		Seal gland 65mm rod	1
1-3	::2302/0316		O Ring 110mm ID x 5.0mm	1
1-4	::808/00336		Bearing 65X70X40	1
2	:590/40588		Rod Piston, WA	1
3	:595/27709		Head Piston	1
3-1	::2302/0307		O Ring	1
4	:826/01159		Dowel	1
5	:2411/7921		Ring Wear 120 x 115 x 14.8	2
6	:2411/1141		Seal Piston	1
7A	:563/70081		Cylinder WA	1
7B	:563/70082		Cylinder WA	1
10	:808/00325		Bush	1
12	:1450/0001		Nipple Grease, Straight 1/8 BSP	2
15	:808/00324		Bush	1
25	:25/937100		Cartridge check valve	1
26	:G8/10	Superseded	Plug 1/4"BSP	1
26	:892/00055A		Plug	1
27	:1406/0011		Washer Bonded (1/4")	1
50	:991/00115		Kit-seal 65mm rod x 120mm cyl	1

2	JNV0999		Pipe assembly	1
3	830/12227		Pipe assembly right hand boom ram	1
4	JNV1067		Bracket <i>Secures pipes to ram</i>	1
5	JNV1082		Clamp pipe <i>For item 4</i>	1
6	JNV1571		Clamp <i>Secures pipes</i>	2
7	1316/3410D		Bolt <i>Secures items 4 &amp; 5</i>	2
8	1425/0008D		Washer Spring M10 <i>For item 7</i>	2
9	1370/0301D		Nut (M10) <i>For item 7</i>	2
10	1316/3514D		Bolt M12 x 60 <i>Secures item 6</i>	1
11	1425/0009D		Washer M12 spring <i>For item 10</i>	1
12	1370/0401D		Nut (M12) <i>For item 10</i>	1
13	1391/3308D		Capscrew M8 x 30mm <i>Secures pipes &amp; blanking plate</i>	12
14	2400/0201		O Ring	4
15	1620/0002	Superseded	Adapter <i>For item 19</i>	3
15	1620/2051		Adaptor 1/4"BSP x 9/16"SAE	3
16	:2401/0506		O Ring	1
17	JNV1002		Flange SAE 1/2"	1
18	1391/3310D		Capscrew M8 x 40mm <i>Item 19 to ram</i>	4
19	25/221977		Valve (Seal kit 334/E3340)	1
19A	:904/20339		Kit-seal	1

Item	Part #	Change No	Description	Usage Code	QTY
0	JNV1078		Ram assembly position		1
1	:6900/0958		Cylinder tube assembly		1
1-2	::6900/0959		Bush pin		1
1-3	::6900/0960		Seal wiper		2
2	:6900/0961		Piston rod assembly		1
2-2	::6900/0962		Bush pin		1
2-3	::6900/0848		Seal wiper		2
3	:6900/0963		Cylinder head		1
4	:6900/0705		Ring guide		1
5	:6900/0706		Ring snap		1
6	:6900/0707		Seal rod buffer		1
7	:6900/0708		Seal rod o ring and back up		1
9	:6900/0709		Wiper		1
10	:6900/0964		O Ring		1
11	:6900/0965		Ring back up		1
12	:6900/0738		Screw		12
14	:6900/0966		Piston		1
15	:6900/0967		Seal piston assembly		1
17	:6900/0968		Ring guide		2
18	:6900/0969		Ring guide		2
19	:6900/0970		Shim		1
20	:6900/0971		Nut		1
21	:6900/0747	Superseded	Screw set		1
21	:NLA		No Longer Available		1
22	:6900/0748	Superseded	Ball steel		1
22	:NLA		No Longer Available		1
23	:6900/0723		Nipple grease		1
23A	:6900/0753		Nipple grease		1
24	:6900/0972		Seal kit <i>Includes items 4,6,7,9,10,11,15,17,18 and 19.</i>		1
25	:6900/0973		Kit repair cylinder tube <i>Repair kit for item 1.</i>		1
26	:6900/0974		Kit repair piston rod <i>Repair kit for item 2.</i>		1
27	:6900/0975		Kit repair cylinder head <i>Includes items 3,4 and 5.</i>		1
28	:6900/0976		Kit repair nut <i>Includes items 20,21 and 22.</i>		1



**9802/5730 F4-2-10 GEARBOX, TRACK JZ140 HEAVY DUTY**  
**BUID**

---

Item	Part #	Change No	Description	Usage Code	QTY
1	JNB0077		Pipe assembly grease line		1
2	JNB0078		Pipe assembly grease line		1
3	KMJ0985		Adapter elbow		2
4	JHP0037		Nipple Grease Straight		3
5	KMJ0964		Connector		2
6	KRR0173		Clamp PVC coated		1
7	1425/0006Z		Washer Spring (M6)		2
8	1316/0201Z		Screw		2
9	KRR0170		Clamp PVC coated		1
10	JRB0055		Plate block <i>Welded to frame</i>		1

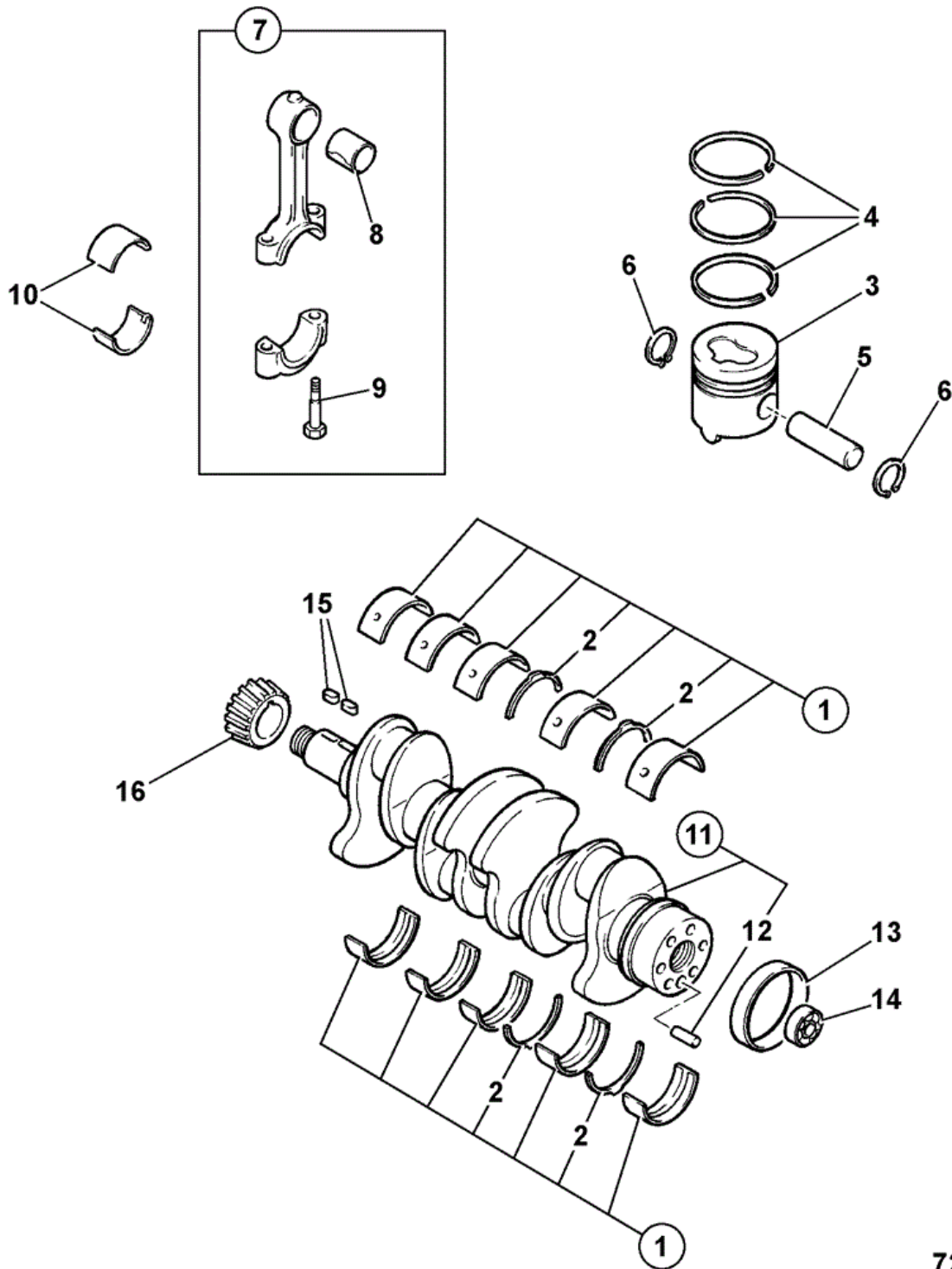
1-2	::JNA0230		Bush		2
1-3	:JNA0227		Kit-seal		2
1-4	:JNA0231		Hub		2
1-5	:JNA0232		O Ring		2
1-6	:JNA0235		Ring snap		2
1-7	:JNA0229		Shaft idler		1
1-8	:JRA0226		Plug		1
1-9	:JRA0227		O Ring		1

1-4	:M00160		Plate thrust		1
1-6	:M00161		Capscrew		2
1-7	:M00122		O Ring		1
1-8	:M00120		Cover		1
1-9	:M00099		Plug		1
1-11	:M00123		Bolt		4
1-12	:JNA0105		Seal oil floating		1
1-13	:M00119		Bracket		1
2	JHA0005		Shim		2
3	JHP0044		Washer		4
4	1316/3812Z		Bolt		4
5	4101/0500	Superseded	Fluid Locking Loctite 262		0
5	4101/0552		Loctite threadlock 200ml		0

1	****		<i>For chain components see J1-5-1</i>	2
2	331/46970		Plate track grouser, 500mm drilled for R. pad	88
2	331/46971		Plate track grouser, 600mm drilled for R. pad	88
3	JNA0085	Superseded	Bolt track plate	352
3	826/01066		Bolt track plate 5/8"	352
4	JNA0086	Superseded	Nut track plate	352
4	826/01067		Nut track plate 5/8"	352
5	331/46967		Pad rubber track, 500mm wide	88
5	331/46969		Track rubber 600 mm wide pad bolt on	88

2	:JNA0223		Wheel Track Idler Assembly		1
3	:JNA0224		Yoke Spring and Fork Assembly		1

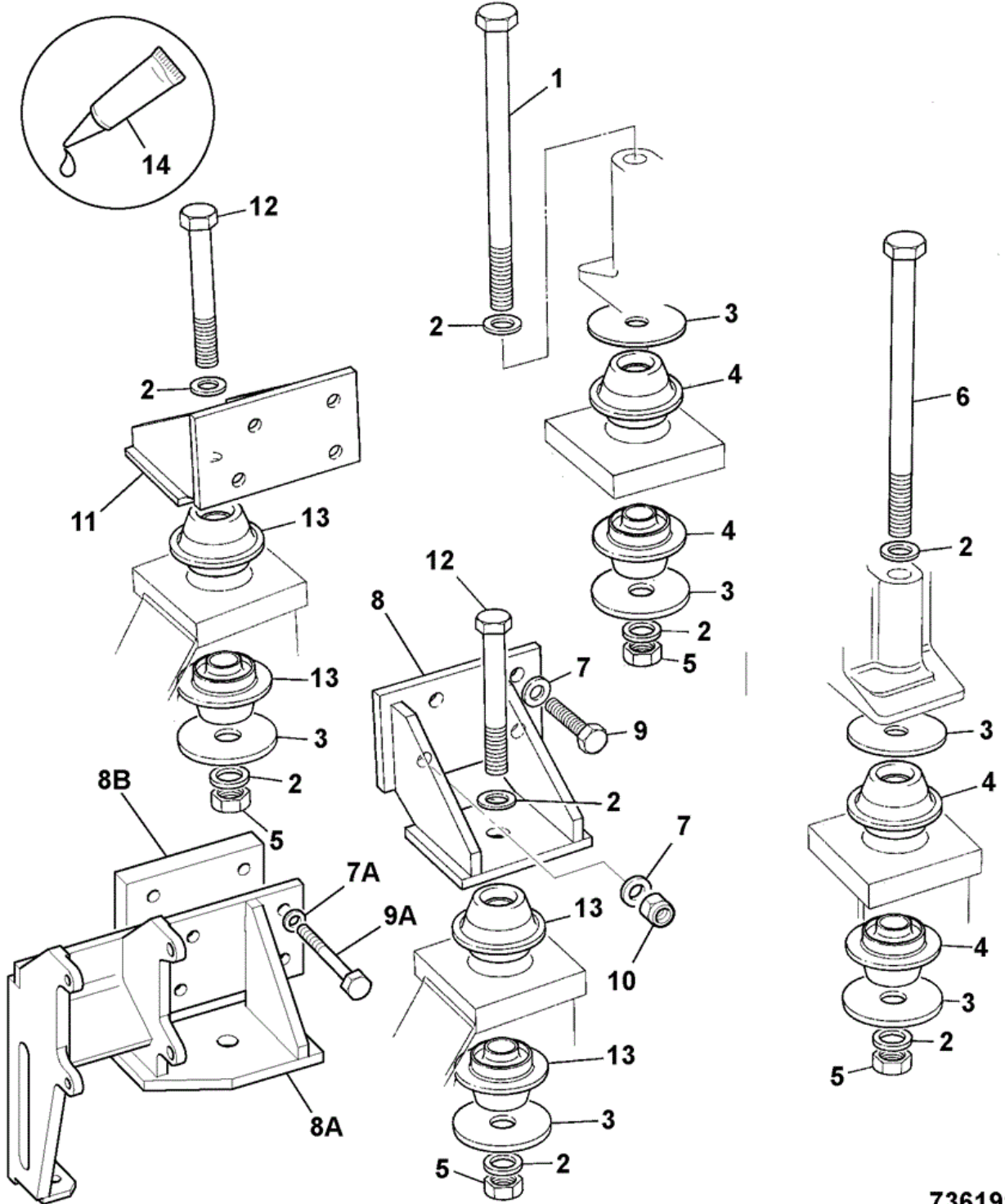
**JCB** 9802/5730 R1-4-1 CRANKSHAFT, BEARINGS PISTONS & CON-RODS



722441

Item	Part #	Change No	Description	Usage Code	QTY
1	02/800792		Kit-main bearing Standard		1

**JCB** 9802/5730 R1-8-1 ENGINE MOUNTINGS

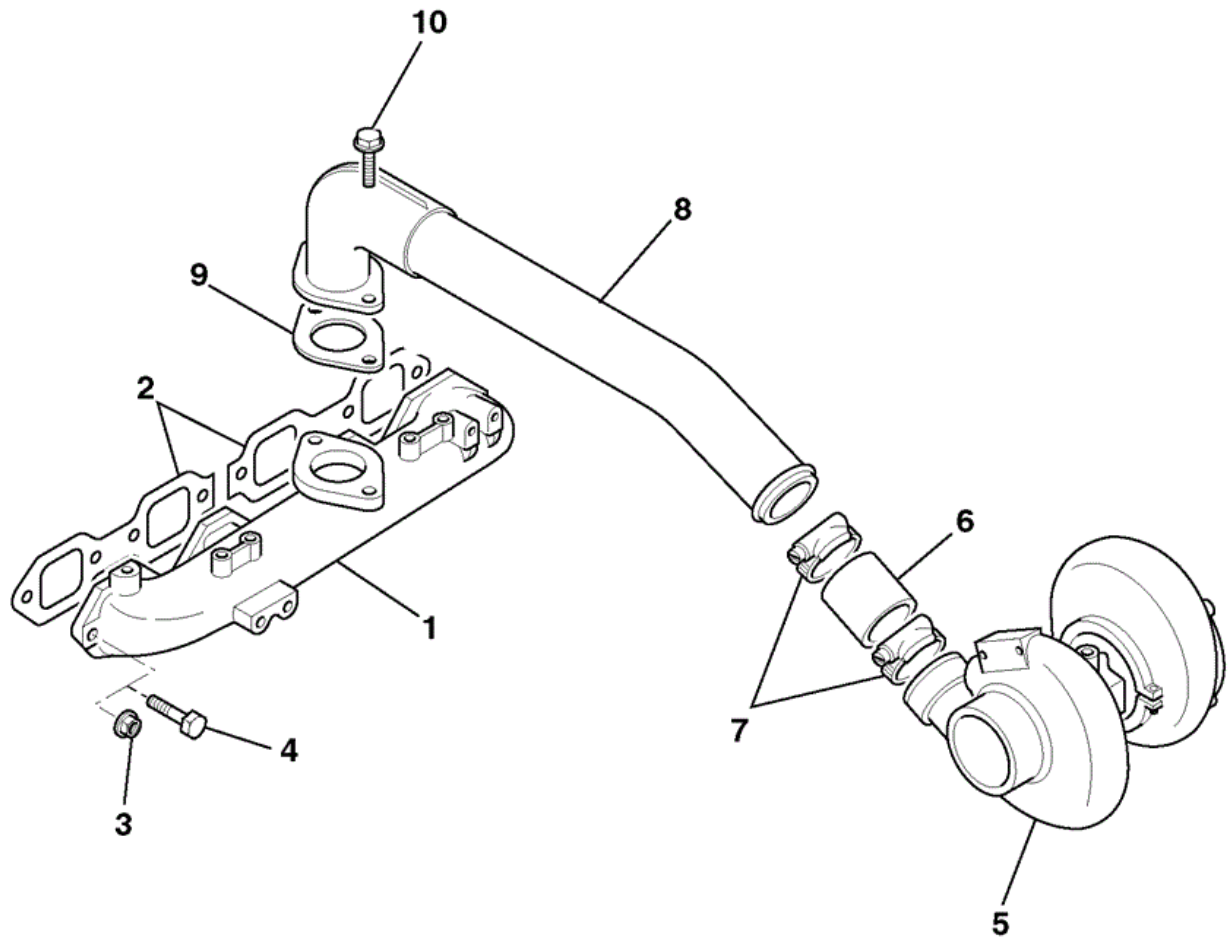


736191

Item	Part #	Change No	Description	Usage Code	QTY
1	1316/3726D		Bolt		1
2	JHP0043		Washer M16		8



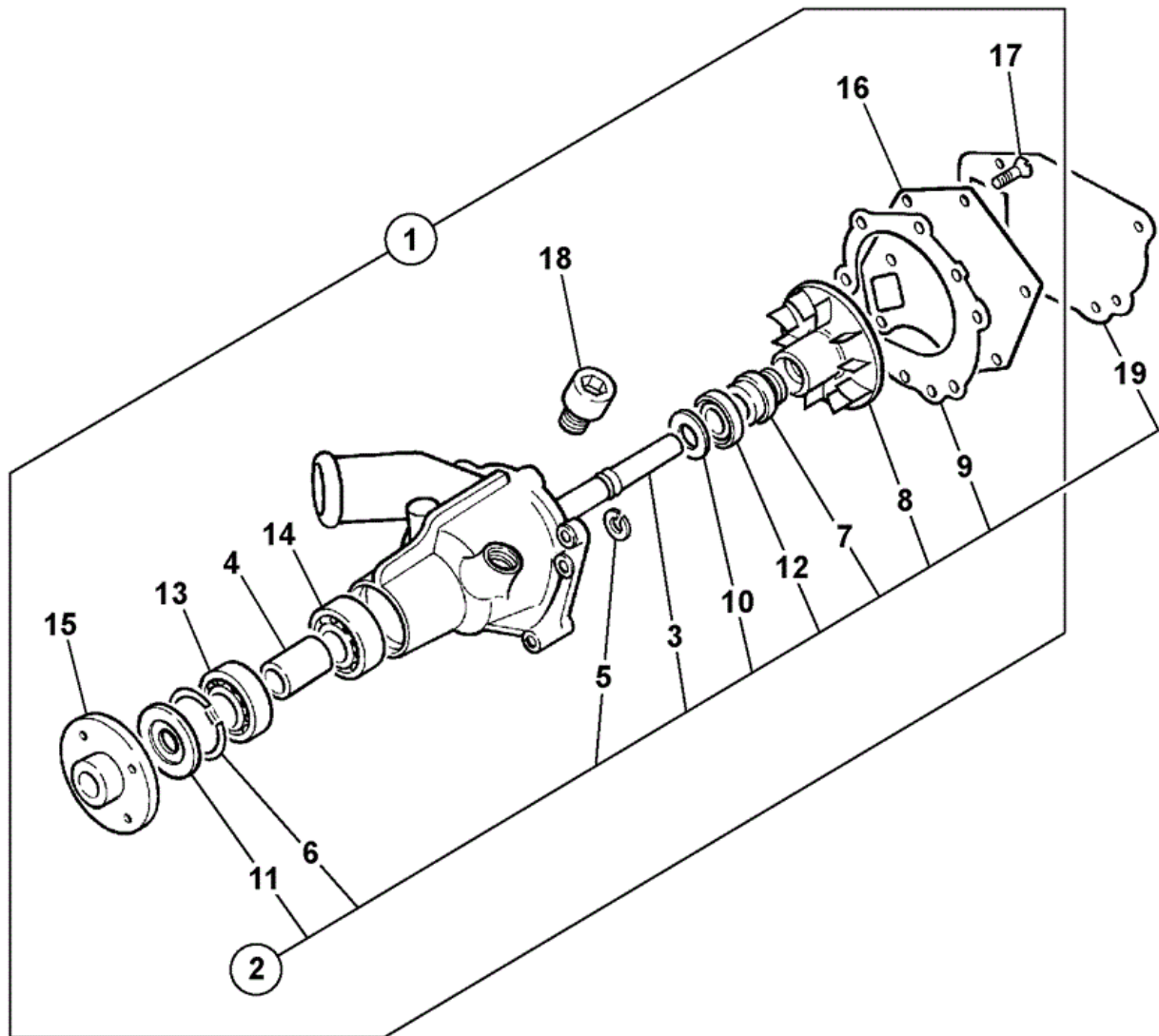
## 9802/5730 R3-1-1 MANIFOLD, INDUCTION



722180

Item	Part #	Change No	Description	Usage Code	QTY
1	02/801650		Manifold induction		1
2	02/800957		Gasket inlet manifold		2

**JCB** 9802/5730 R4-1-1 PUMP, WATER

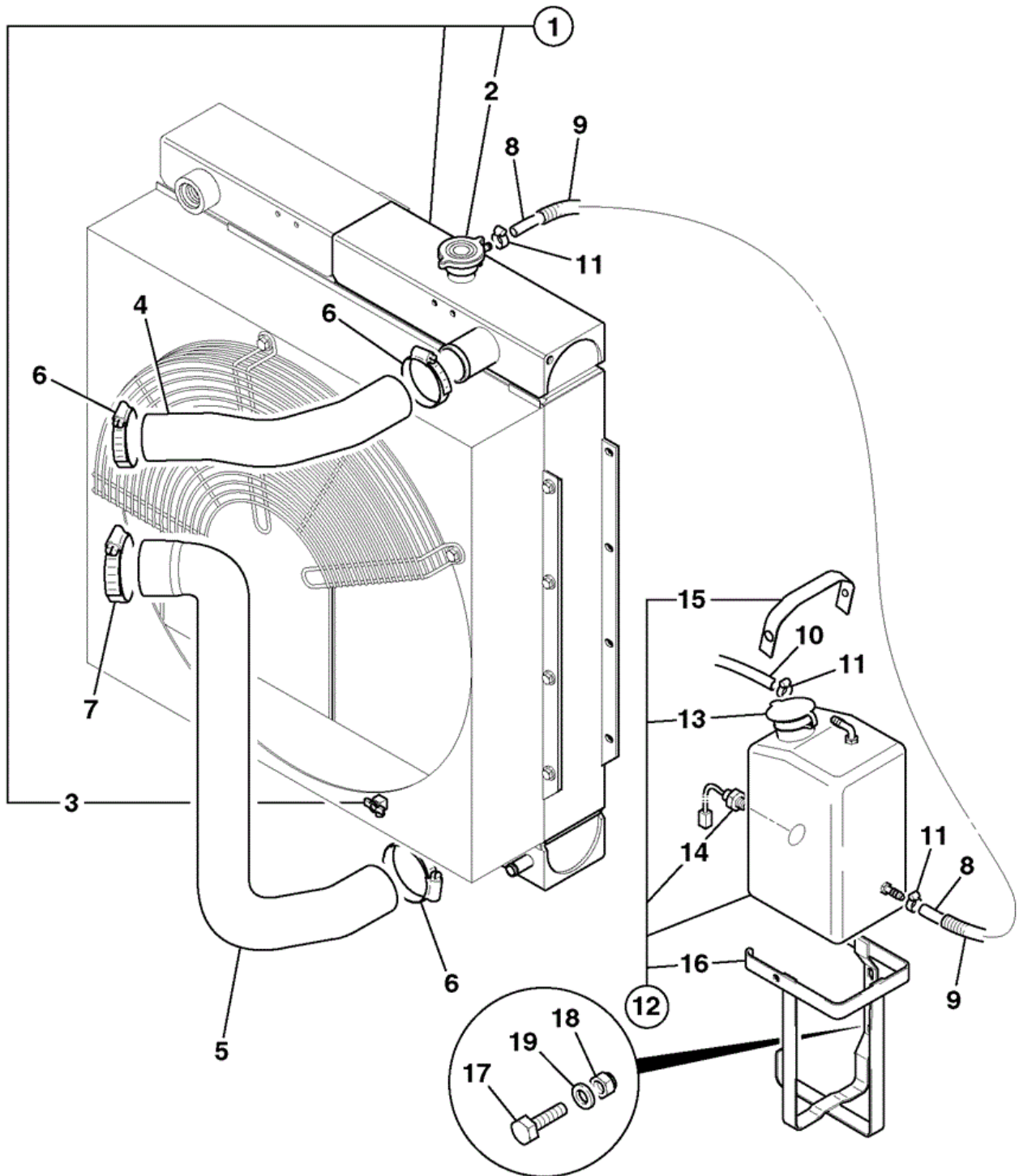


**722390**

Item	Part #	Change No	Description	Usage Code	QTY
1	02/801380		Pump water		1
2	:02/800781		Kit-repair water pump		1



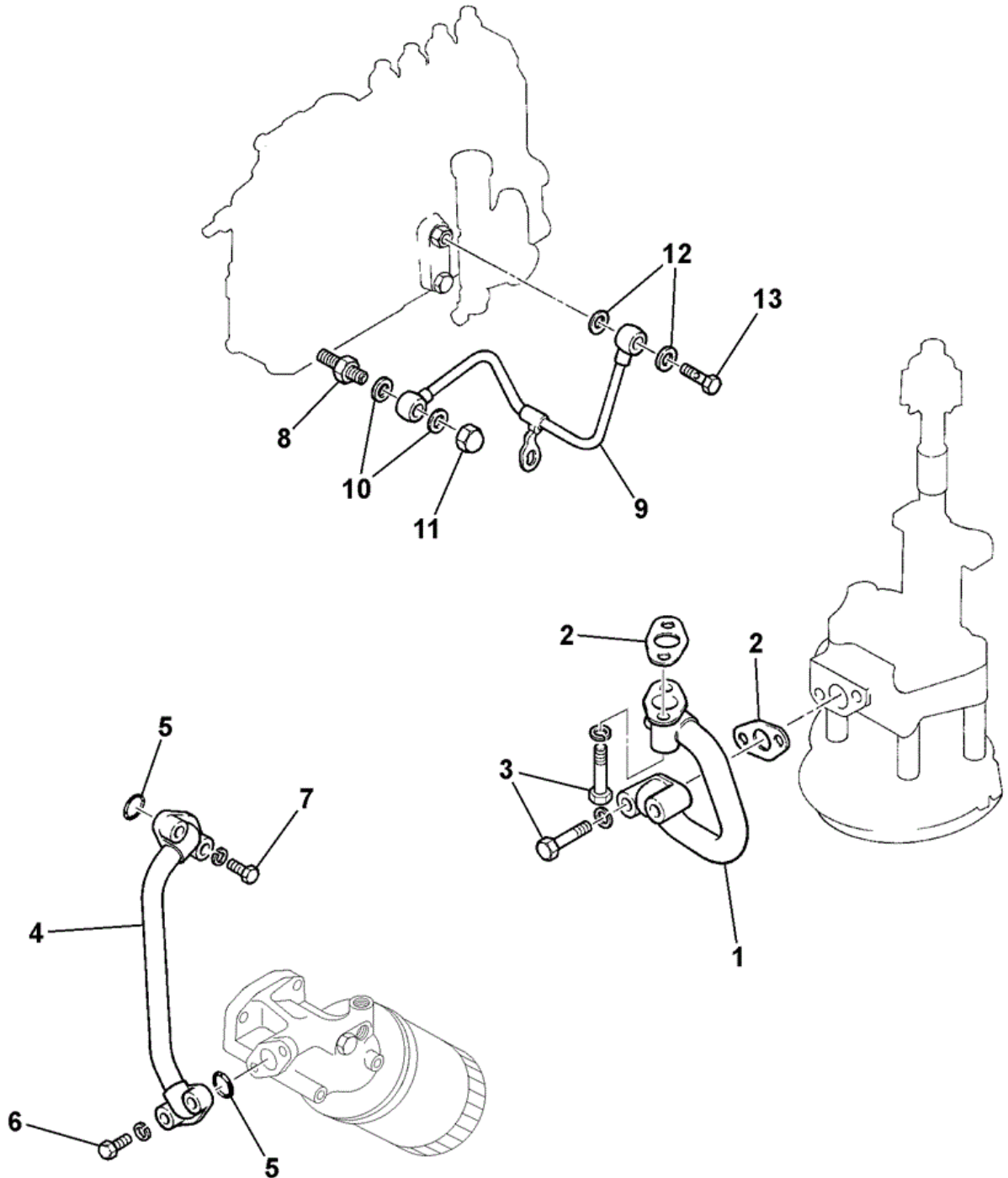
## 9802/5730 R4-5-1 RADIATOR HOSES & FITTINGS



738660

Item	Part #	Change No	Description	Usage Code	QTY
1	30/926349		Radiator assembly		1
2	:30/926179		Cap radiator filler		1

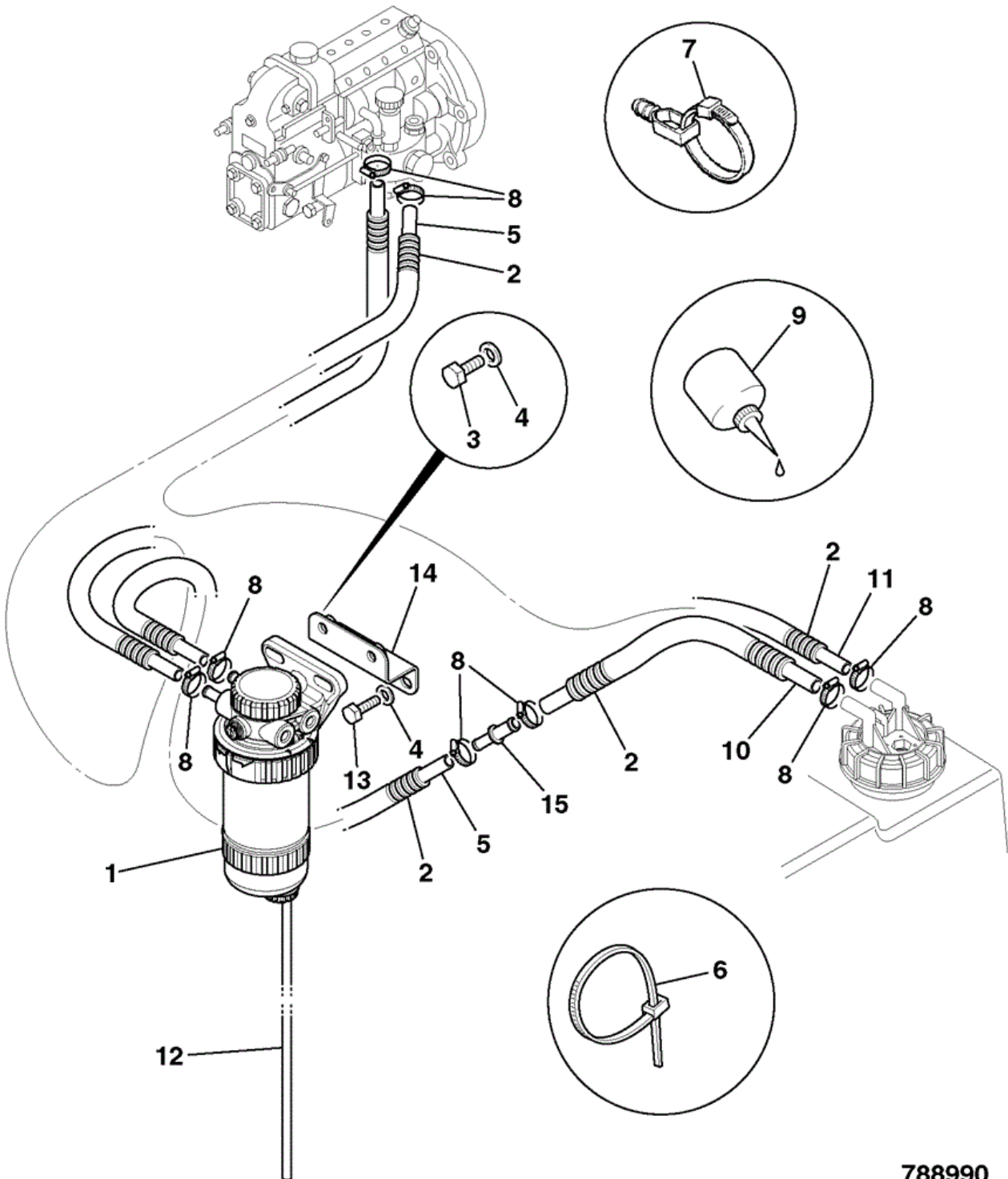
**JCB** 9802/5730 R5-6-1 PIPES, OIL



**722370**

Item	Part #	Change No	Description	Usage Code	QTY
1	02/800368		Pipe assembly		1
2	9099211880		Gasket		2

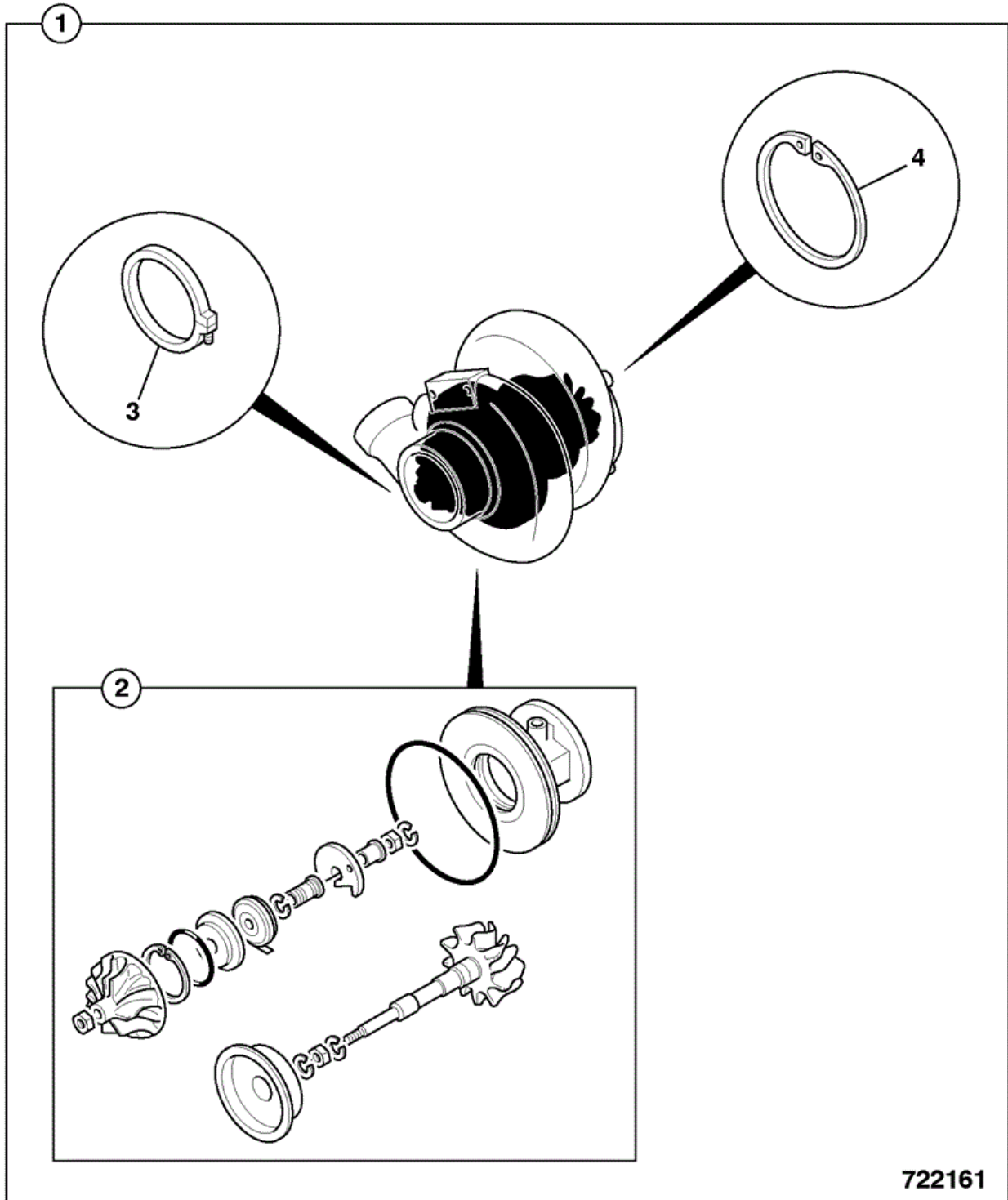
**JCB** 9802/5730 R6-4-2 FUEL SYSTEM



788990

Item	Part #	Change No	Description	Usage Code	QTY
1	32/925757		Filter fuel sediment assembly		1
2	JSH0001		Tube corrugated		1

**JCB** 9802/5730 R7-1-1 TURBOCHARGER



Item	Part #	Change No	Description	Usage Code	QTY
1	02/801604		Turbocharger		1
2	:02/801614		Housing centre assembly		1

CLICK HERE TO **DOWNLOAD** THE COMPLETE MANUAL

- Thank you very much for reading the preview of the manual.
- You can download the complete manual from: [www.heydownloads.com](http://www.heydownloads.com) by clicking the link below



- Please note: If there is no response to CLICKING the link, please download this PDF first and then click on it.

CLICK HERE TO **DOWNLOAD** THE COMPLETE MANUAL