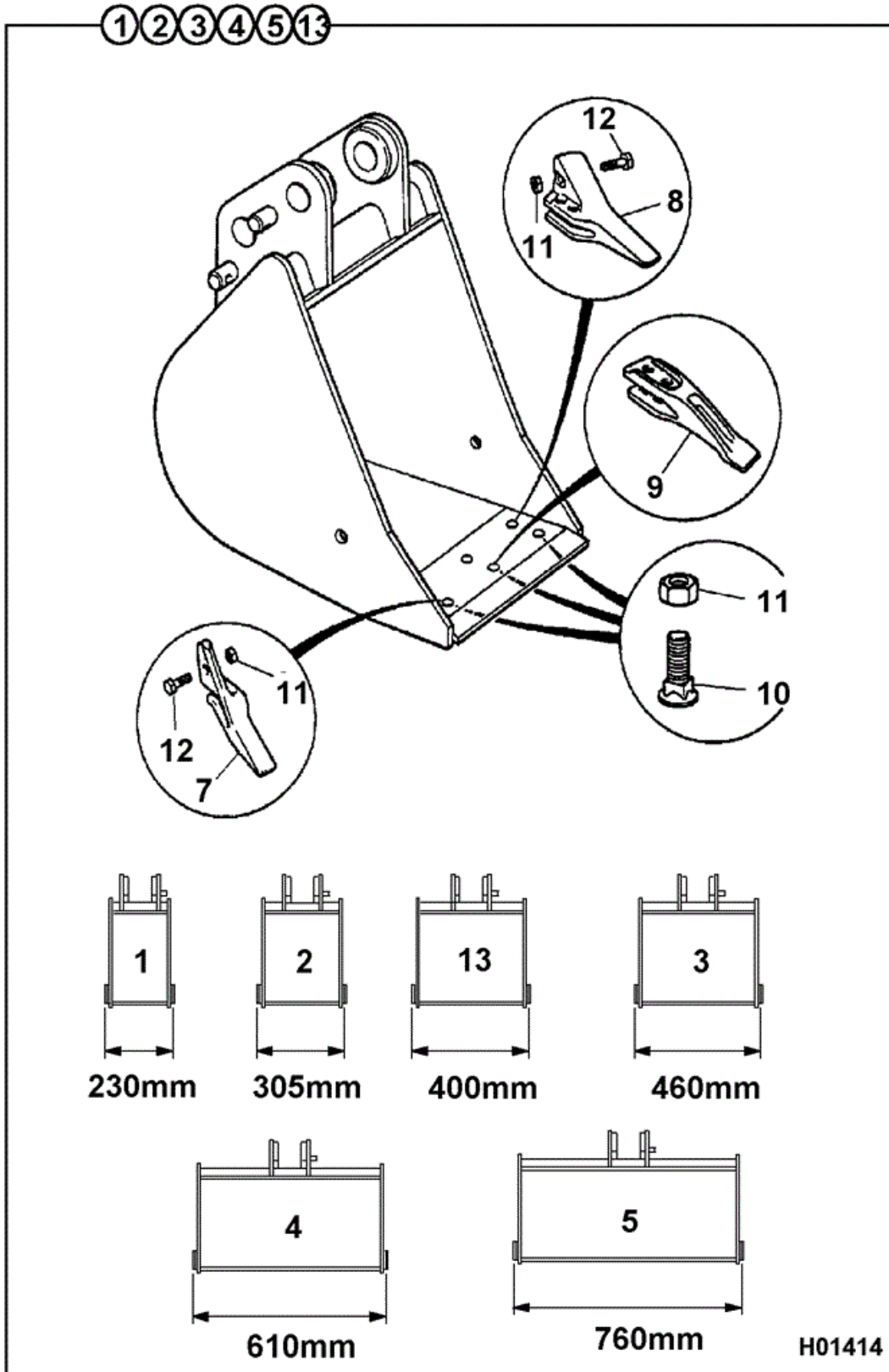




9802/5404 A2-1-1 BUCKET GENERAL PURPOSE



CLICK HERE TO **DOWNLOAD** THE COMPLETE MANUAL

- Thank you very much for reading the preview of the manual.
- You can download the complete manual from: www.heydownloads.com by clicking the link below



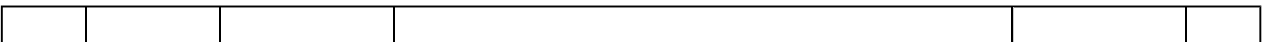
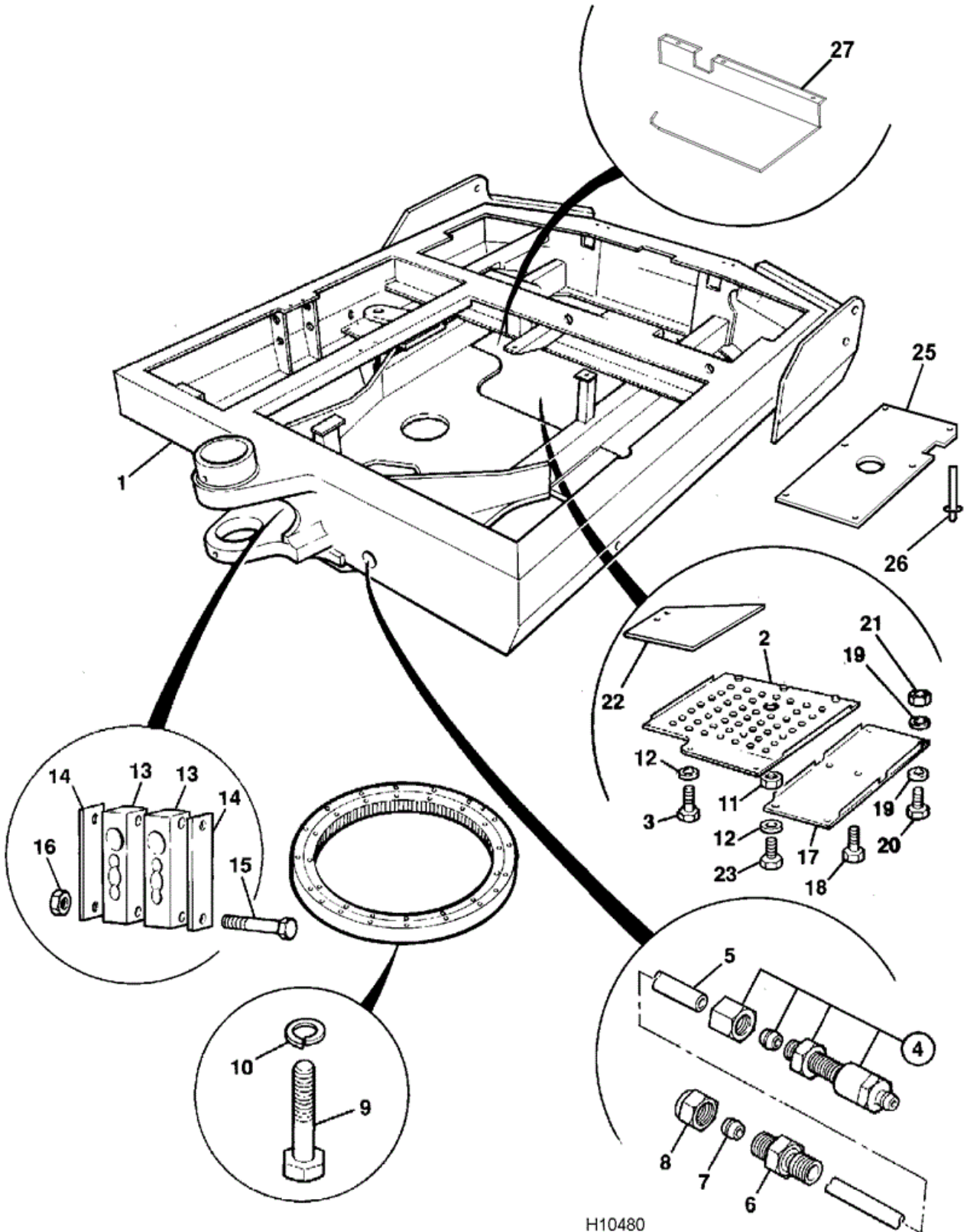
- Please note: If there is no response to CLICKING the link, please download this PDF first and then click on it.

CLICK HERE TO **DOWNLOAD** THE COMPLETE MANUAL

3	:983/00546	Shim	0
4	:983/00547	Tooth	1
5	:983/00548	Breaker	1
6	:983/00549	Shaft	1
7	:983/00550	Plate spacer	2
8	:983/00551	Bush	1
9	:983/00552	Washer	1
10	:983/00553	Washer lock	1
11	:983/00554	Nut axle	1
12	:983/00555	Shaft	1
13	:983/00556	Bar	1
14	:983/00079	Capscrew	2
15	:983/00557	Bush	1
16	:983/00558	Cap	1
17	:983/00559	Capscrew M12 x 25	8
18	:903/04643	Nipple grease	2
19	:983/00560	Capscrew M8 x 35	0
20	:983/00561	Washer lock	0
21	:983/00562	Ring slew	1
22	:983/00563	Plate	1
23	:983/00079	Capscrew	4
24	:983/00564	End body	1
25	:983/00565	Stop slew	1
26	:983/00566	O Ring	1
27	:903/05156	Capscrew	4
28	:983/00568	Body	1
29	:983/00569	Guide spring	1
30	:983/00570	Spring	1
31	:983/00571	Cover	1
32	:983/00572	Plate wear	1
33	:983/00573	Capscrew M6 x 15	1
34	:983/00559	Capscrew M12 x 25	4
35	:983/00575	Washer spring	4
36	:983/00576	Ram hydraulic cylinder Cutter crusher	1
37	:983/00577	Casing	1
38	:983/00578	Capscrew M10 x 16	4
39	:983/00579	Washer spring	4
40	:983/00580	Hose	2
41	:983/00581	Elbow	1
42	:983/00582	Body	1
43	:983/00583	Spool	1
44	:983/00584	Wiper	1
45	:983/00585	Cover	1
46	:983/00586	Capscrew M6 x 16	6
47	:983/00587	Seal	1
48	:983/00595	Bearing ball	1
49	:983/00588	Ring retaining	1
50	:983/00589	O Ring	3
51	:983/00590	Ring supporting	4
52	:983/00591	Elbow	1
53	:983/00592	Seal	1

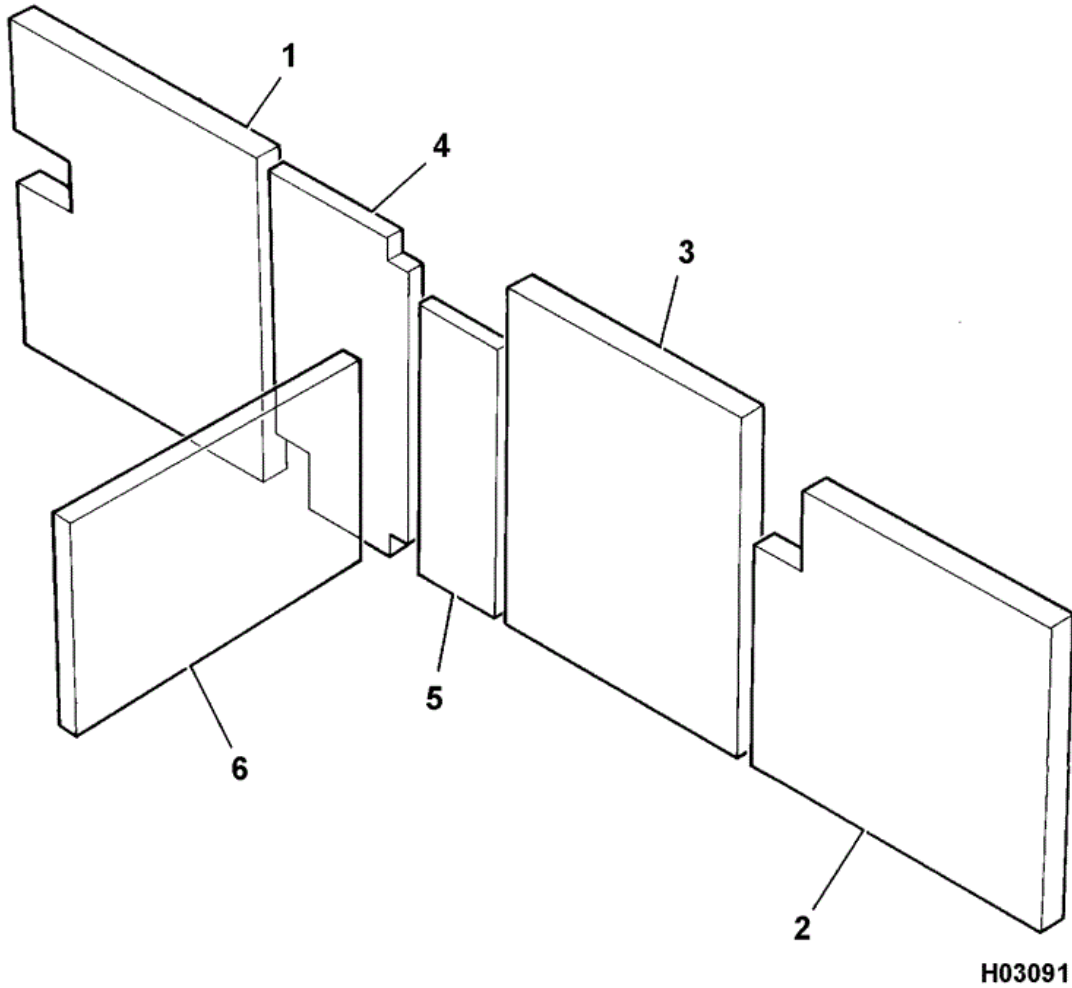


9802/5404 B1-1-2 MAINFRAME & PROTECTION PLATES





9802/5404 B1-5-2 SOUNDPROOFING BULKHEAD



Item	Part #	Change No	Description	Usage Code	QTY
1	232/07303		Panel soundproofing		0
2	232/07304		Panel soundproofing		0
3	232/07305		Panel soundproofing		0

Item	Part #	Change No	Description	Usage Code	QTY
1	232/26100		Canopy		0
2	232/26001		Strip		0
3	232/26002		Panel roof		0
4	231/24134		Nut Rivet		0
5	1315/0308Z		Setscrew M8 x 30		0
6	1425/0007Z		Washer Washer		0
7	823/00344		Washer nylon		0
8	1315/0401Z		Bolt M10 x 10		0
9	232/24800		Bolt mounting		0
10	232/25400		Bolt mounting		0
11	208/00204		Bush rubber mounting		0
12	232/25101		Washer special		0
13	1370/0603Z		Nut lock M16		0
14	1315/0405Z		Setscrew M10 x 20 mm		0
15	823/00416Z		Washer spring		0
16	826/01293		Screw Countersunk Head		0
17	1370/0303Z		Nut lock M10		0

Item	Part #	Change No	Description	Usage Code	QTY
1	232/25300		Window assembly upper front, opening		0
2	:232/25302		Window		0
3	:232/25303		Bracket mounting L.H.		0
4	:232/25304		Bracket mounting R.H.		0
5	:232/25305		Pin		0
6	:232/25306		Washer retaining		0
7	:232/25307		Spring		0
8	:232/25308		Shaft		0
9	:232/25309		Pin roll		0
10	:232/25310		Bracket support		0
11	:232/25311		Pin hollow		0
12	:232/25312		Washer		0
13	:232/25313		Nut		0
14	:232/25314		Cap dust		0
16	:232/25317		Roller		0
17	:232/25318		Stop metalastik, rear		0
18	:232/25319		Screw		0
19	:232/25312		Washer		0
20	:232/25321		Rail guide left hand		0
21	:232/25322		Rail guide right hand		0
22	:232/25323		Stop		0
23	:232/25324		Screw		0
24	:232/25325		Stop metalastik, front		0
25	:232/25326		Washer		0
26	:232/25327		Nut		0
27	1315/0305Z		Setscrew M8 x 20		0
28	1425/0007Z		Washer Washer		0
29	1420/0007Z		Washer (M8)		0
30	231/24134		Nut Rivet		0
31	232/24012		Plate wiper		0
32	232/24013		Spacer wiper		0
33	1315/0203Z		Setscrew		0
34	1425/0006Z		Washer Spring (M6)		0
35	PP/5130	Superseded	Insert nut		0
35	826/00686		Insert nut		1

Item	Part #	Change No	Description	Usage Code	QTY
1	40/212000		Seat assembly <i>Cloth</i>		1
1	40/212200		Seat assembly <i>Vinyl</i>		1
2	:40/212001		Seat assembly, upper <i>Cloth</i>		1
2	:40/212201	Superseded	Seat assembly, upper <i>Vinyl</i>		1
2	:40/212901		Seat assembly, upper <i>N.L.A USE KIT 40/910579</i>		1
3	::40/202901	Superseded	Kit-seat back cover grey fabric <i>Cloth</i>		1
3	N.L.A		No longer available <i>N.L.A USE KIT 40/910579</i>		1
3	::40/212202		Kit-cover backrest vinyl <i>Vinyl</i>		1
4	::40/212003		Kit foam, back		1
5	::40/202902	Superseded	Kit-seat cover Grey fabric <i>Cloth</i>		1
5	N.L.A		No longer available <i>N.L.A USE KIT 40/910595</i>		1
5	::40/212203		Kit-cover seat <i>Vinyl</i>		1
6	::40/212005		Kit foam, seat		1
7	::40/202805		Kit-seat frame		1
8	:40/212007		Kit-spring height adjuster		1
9	****		None serviced part		1
9A	:40/212108		Knob height adjuster		1
10	:40/212009		Adjuster height		1
11	:40/212010		Pedestal		1
12	:40/212011		Kit fore & aft adjuster		1

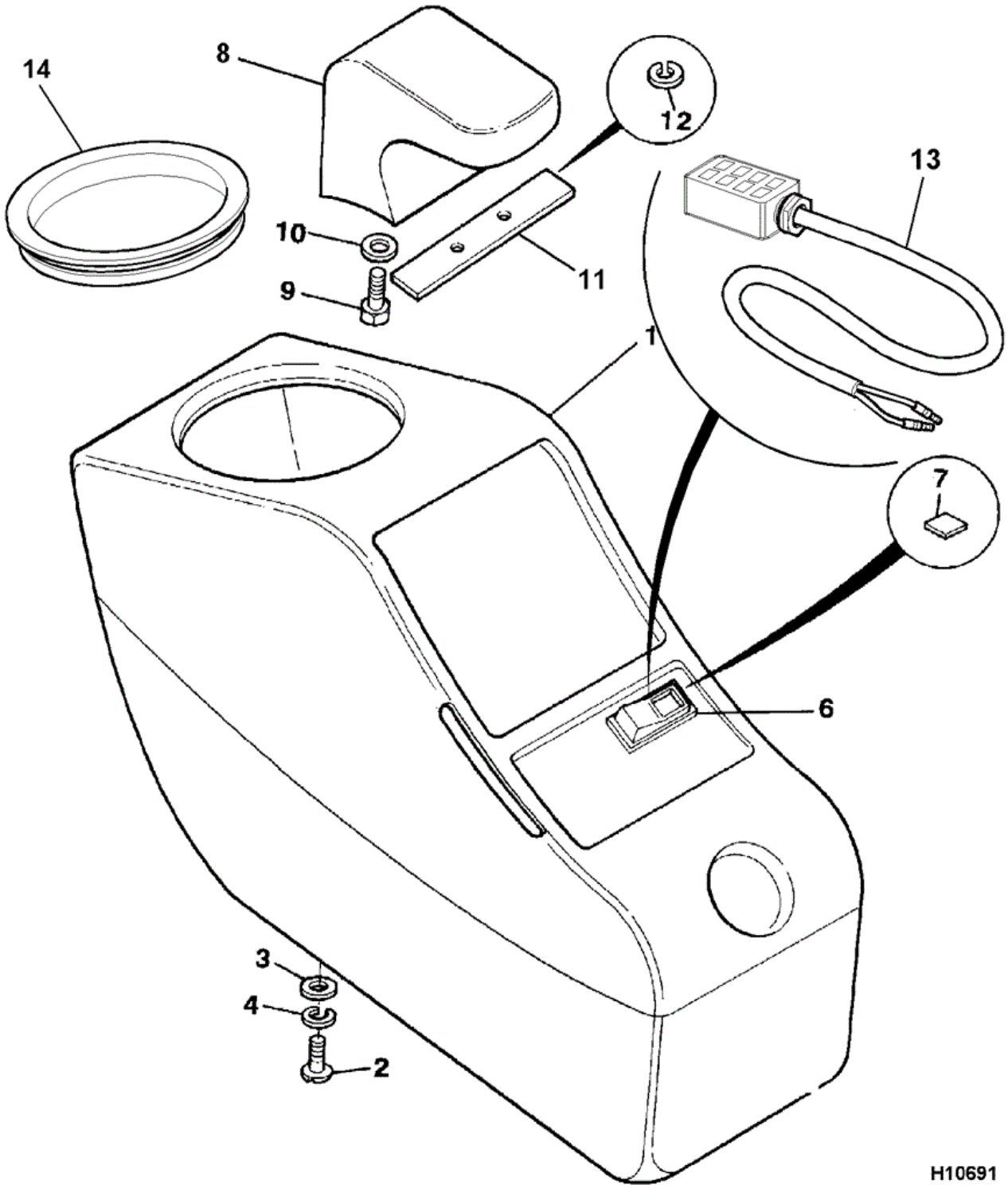
15	1316/3819Z		802.7		1
15	1316/3820Z	>M666857	Bolt M20 x 100, 803		1
15	1316/3820Z	>M734113	Bolt 804		1
15	1316/3820Z		Bolt 802.7		1
16	1371/0703Z		Nut self lock M20		0
17	231/80700		Stop kingpost		0
18	1315/3212Z		Bolt M6 x 50 M6 x 50		0
19	1315/0508Z		Setscrew M12 X 30		0
20	823/00417		Washer spring M12		0
21	1315/0405Z		Setscrew M10 x 20 mm M10 x 20		0
22	1370/0303Z		Nut lock M10 M10		0
23	823/00416Z		Washer spring M10		0
24	1391/3420Z		Capscrew M10 x 100		0
25	1315/3411Z		Bolt M10 x 45mm M10 x 45		0
26	1420/0008Z		Washer (M10) M10		0
27	1370/0303Z		Nut lock M10		2

6	817/03060		Label WARNING enter/exit <i>Portuguese</i>	1
6	817/04393		Label WARNING, entry/exit <i>Italian</i>	1
6	817/03061		Label WARNING enter/exit <i>Danish</i>	1
6	817/04345		Label WARNING enter/exit <i>Swedish</i>	1
6	817/04394		Label WARNING, entry/exit <i>Norwegian</i>	1
7	817/02310		Label WARNING <i>English</i>	1
7	817/02394		Label WARNING <i>German</i>	1
7	817/02395		Label WARNING <i>French</i>	1
7	817/02396		Label WARNING <i>Dutch</i>	1
7	817/02397		Label WARNING <i>Spanish</i>	1
7	817/02398	Superseded	Label WARNING <i>Swedish</i>	1
7	817/04342		Label warning <i>Swedish</i>	1
7	817/02412		Label WARNING <i>Italian</i>	1
7	817/02432		Label WARNING <i>Danish</i>	1
7	817/02433		Label WARNING <i>Norwegian</i>	1
7	817/02523		Label WARNING <i>Greek</i>	1
7	817/02526		Label WARNING <i>Finnish</i>	1
8	817/01932		Label WARNING <i>English (Metal Plate)</i>	1
8	817/01933		Label WARNING <i>Danish</i>	1
8	817/01934		Label WARNING <i>Dutch</i>	1
8	817/01935		Label WARNING <i>Finnish</i>	1
8	817/01936		Label WARNING <i>French</i>	1
8	817/01937		Label WARNING <i>German</i>	1
8	817/01938		Label WARNING <i>Greek</i>	1
8	817/01939		Label WARNING <i>Italian</i>	1
8	817/01940		Label WARNING <i>Portuguese</i>	1
8	817/01941		Label WARNING <i>Spanish</i>	1
8	817/01942	Superseded	Label WARNING <i>Swedish</i>	1
8	817/04343		Label WARNING <i>Swedish</i>	1
8	817/02525		Label WARNING	1

Item	Part #	Change No	Description	Usage Code	QTY
1	915/10600		Kit Tool		0
2	:825/00034		Spanner D.O.E. 24 x 26mm A/F <i>D.O.E. 24 X 26mm A/F</i>		0
3	:825/00006		Spanner D.O.E. 1" x 1.1/8" A/F <i>D.O.E. 1in. X 1 1/8in. A/F</i>		0
4	:825/00029		Spanner D.O.E. 13 x 17mm A/F <i>D.O.E. 13 X 17mm A/F</i>		0
5	:825/99947		Tool offset handle 1/2" square drive <i>Offset handle, 1/2in. sq. drive</i>		0
6	:825/00314		Socket <i>28mm</i>		0
7	:825/00511		Key allen <i>10mm</i>		0
8	:825/99808		Screwdriver		0
9	:915/10601		Bag tool		0
10	915/07300		Gun grease		0
11	:915/07301		Connector flexible		0
12	:915/07302		Seal		0
13	4003/1212		Grease JCB special MPL <i>400gm cartridge</i>		0



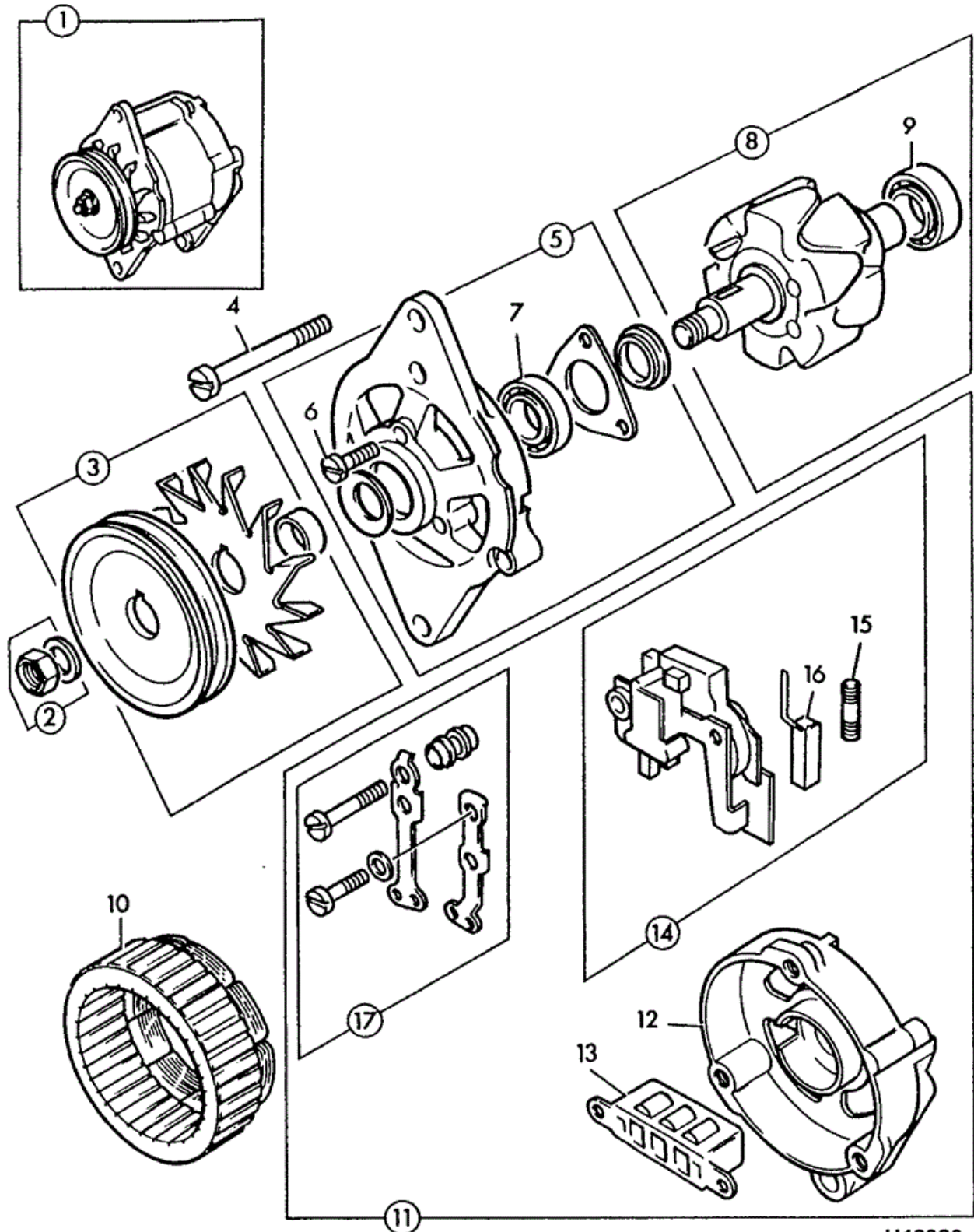
9802/5404 C1-1-2 INSTRUMENT ELECTRICS



H10691

Item	Part #	Change No	Description	Usage Code	QTY
1	233/09101	<M666890	Cover pod, LH <i>803 - Use with 233/09500</i>		1
1	233/09101	<M734122	Cover pod, LH		1

JCB 9802/5404 C2-3-1 ALTERNATOR



H12380

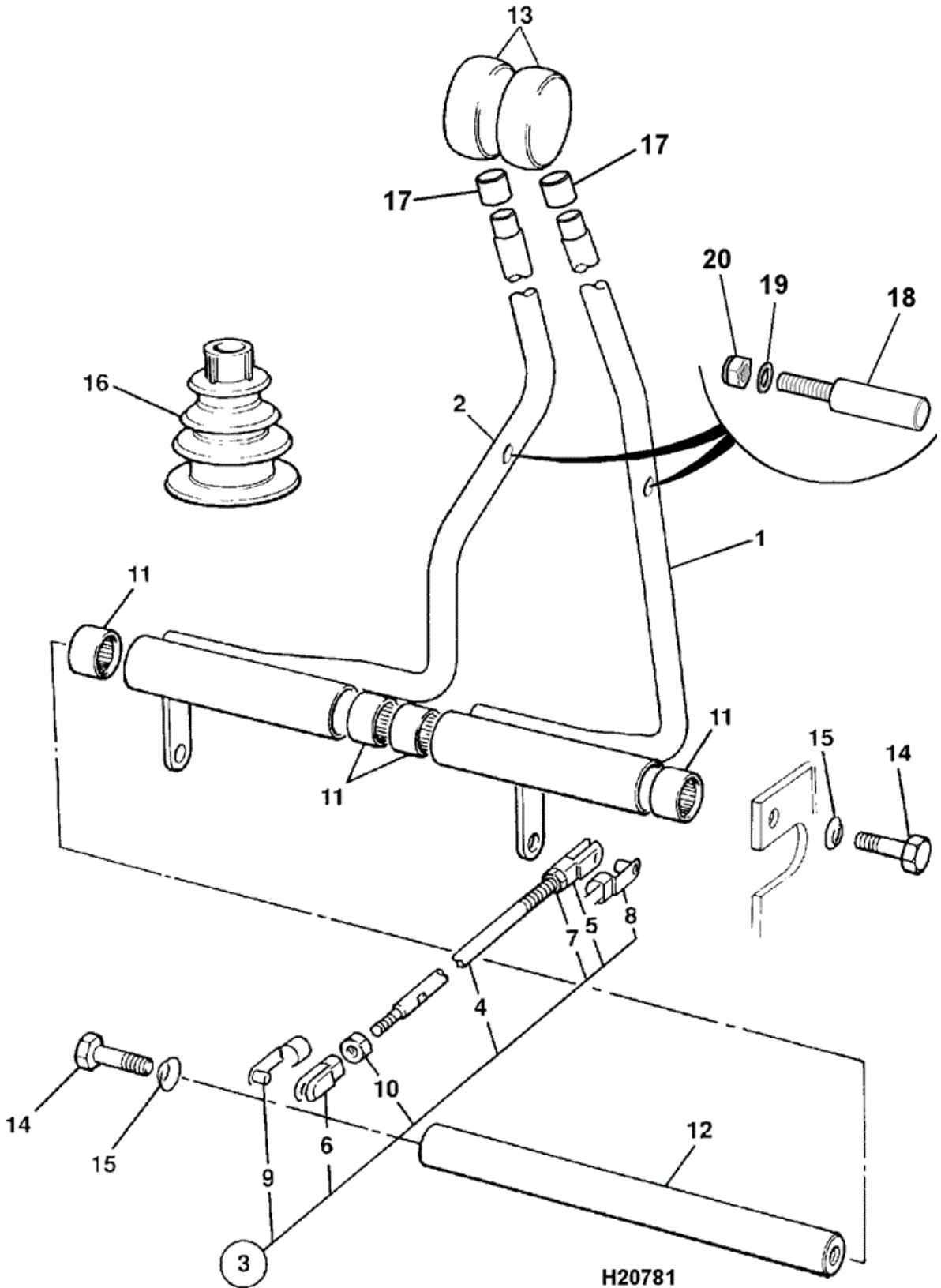
Item	Part #	Change No	Description	Usage Code	QTY
------	--------	-----------	-------------	------------	-----

4	:826/01050		Screw	2
5	:826/00461		Nut M4	2
6	:1425/0004		Washer spring	2
7	:719/66300		Harness autostop	1

4	232/24014		Washer wiper		1
5	714/09500		Cover		1
6	1414/0009Z		Washer (4BA)		1
7	233/24010		Cap		1



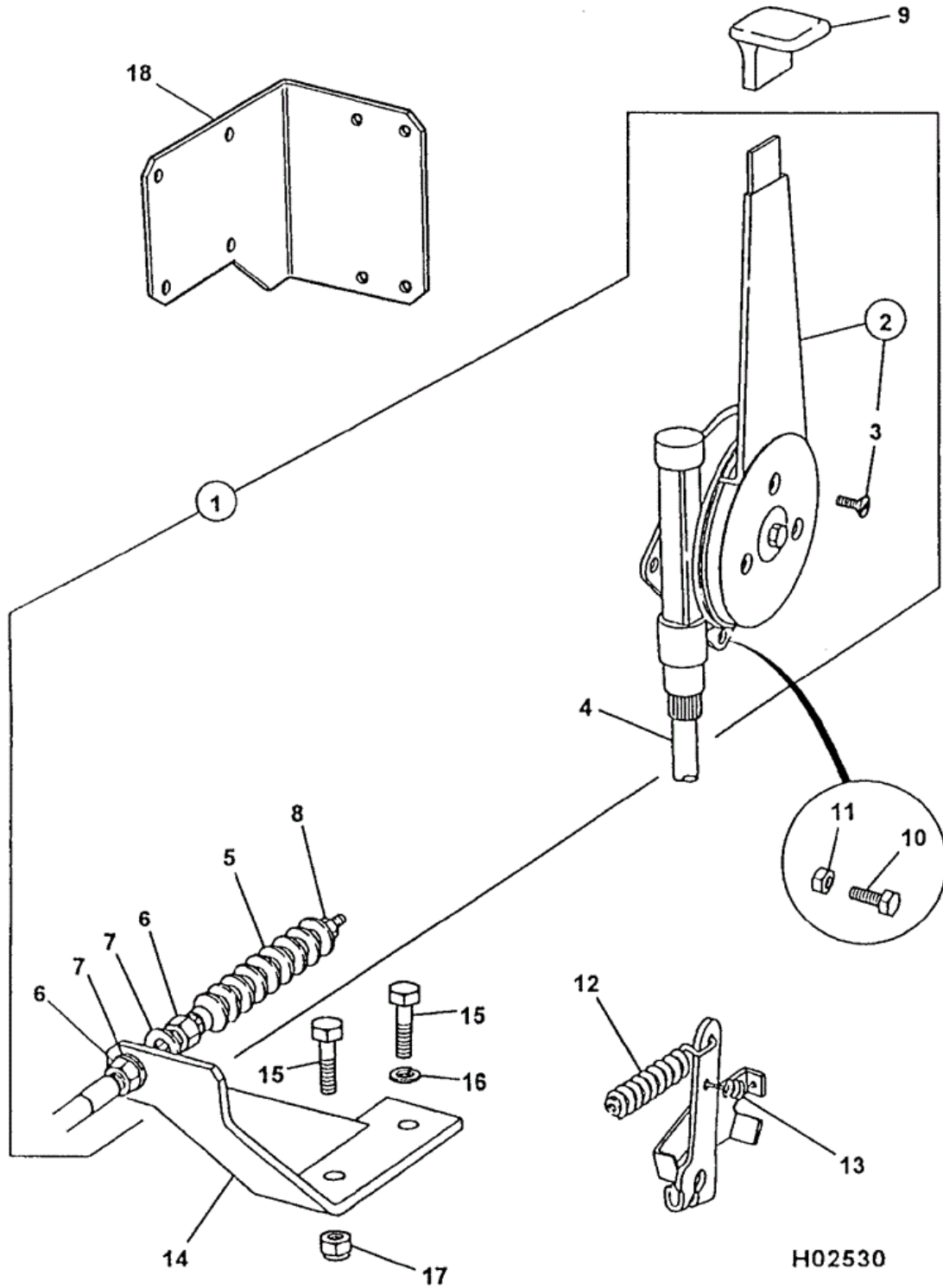
9802/5404 D1-1-1 CONTROLS, TRACK



H20781



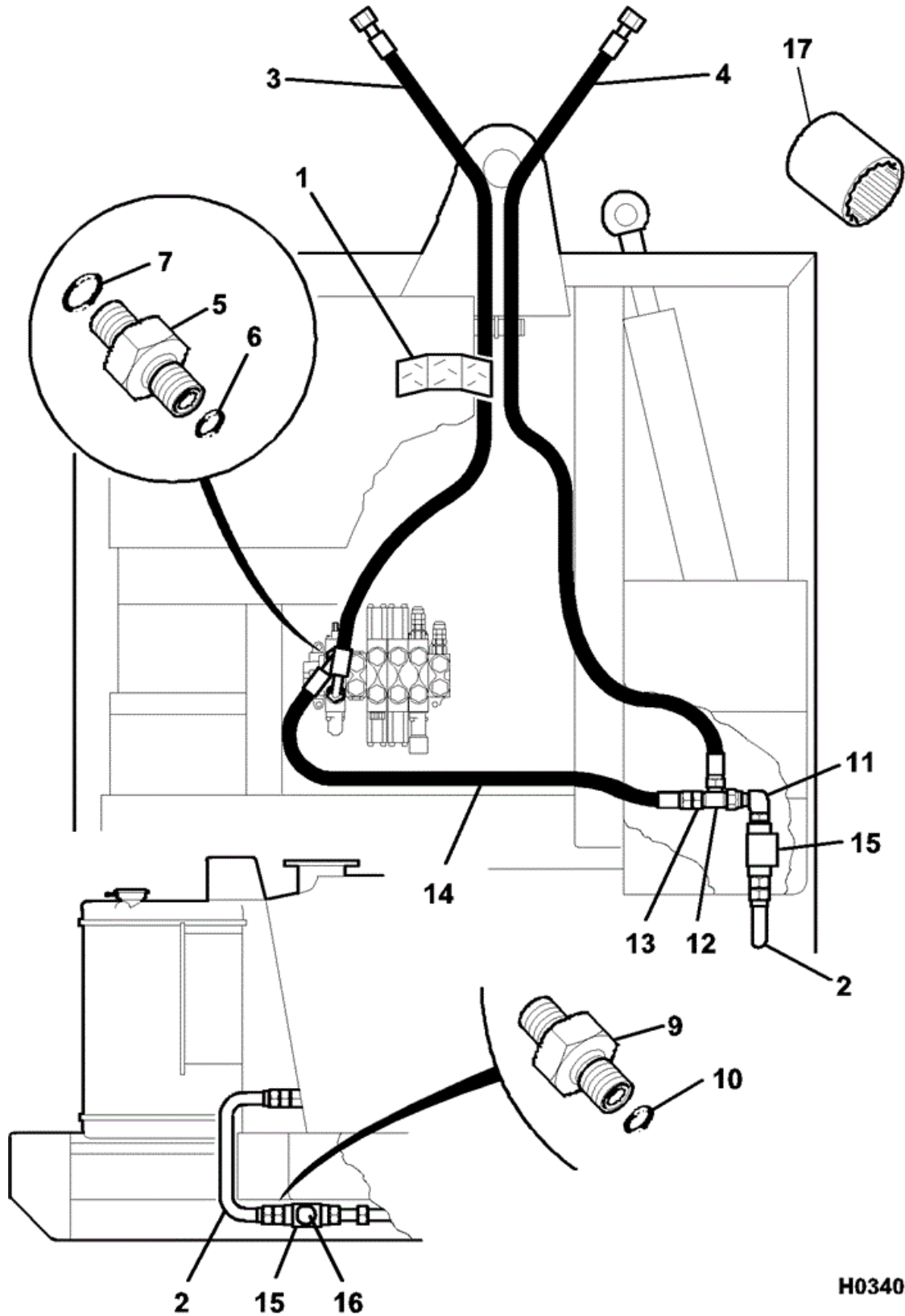
9802/5404 D2-1-1 CONTROL, THROTTLE



Item	Part #	Change No	Description	Usage Code	QTY
1	910/42800	<M666742	Cable throttle assembly L=2030mm <i>803 canopy machine</i>		0
1	910/42800	<M666788	Cable throttle assembly L=2030mm		1

37	2201/0005		Clip Worm Drive 14/27mm		4
38	****		'See Remark' <i>4 spool valve block, see E3-1-6</i>		1
39	743/23400		Hose <i>Maint. valve to 4 spool</i>		1
40	629/95041		Hose 1/4in. lp <i>Accumulator</i>		1
41	****		'See Remark' <i>Accumulator, see E3-14-1</i>		1
42	648/02404		Hose 3/4in. LP <i>Pump to pipe</i>		1
43	2201/0006		Clip Jubilee, 17/32mm		2
44	759/00700		Hose 1/4in. LP <i>Motor drain</i>		1
45	2201/0002		Clip jubilee		1
46	232/80500		Adapter tee		1

2	751/30100		Hose <i>803/804</i>	0
2	759/000100		Hose pilot and drain <i>802.7</i>	1
3	744/20700	Superseded	Hose	0
3	744/21100		Hose <i>803/804, track motor - Joint</i>	4
3	744/21300		Hose <i>802.7, track motor to Joint</i>	1
4	****		'See Remark' <i>Motor, track. See F4-2-1</i>	0
5	742/22100		Hose <i>Dozer ram - Joint</i>	0
6	****		'See Remark' <i>Ram, dozer. See E4-2-1</i>	0



H03402

Item	Part #	Change No	Description	Usage Code	QTY
1	****		'See Remark' <i>Pedal, kit aux. See D1-8-1</i>		0
2	232/33000		Pipe aux. tank		0
3	744/20900		Hose feed		0
4	774/20100		Hose return		0
			Adapter straight thread		

CLICK HERE TO **DOWNLOAD** THE COMPLETE MANUAL

- Thank you very much for reading the preview of the manual.
- You can download the complete manual from: www.heydownloads.com by clicking the link below



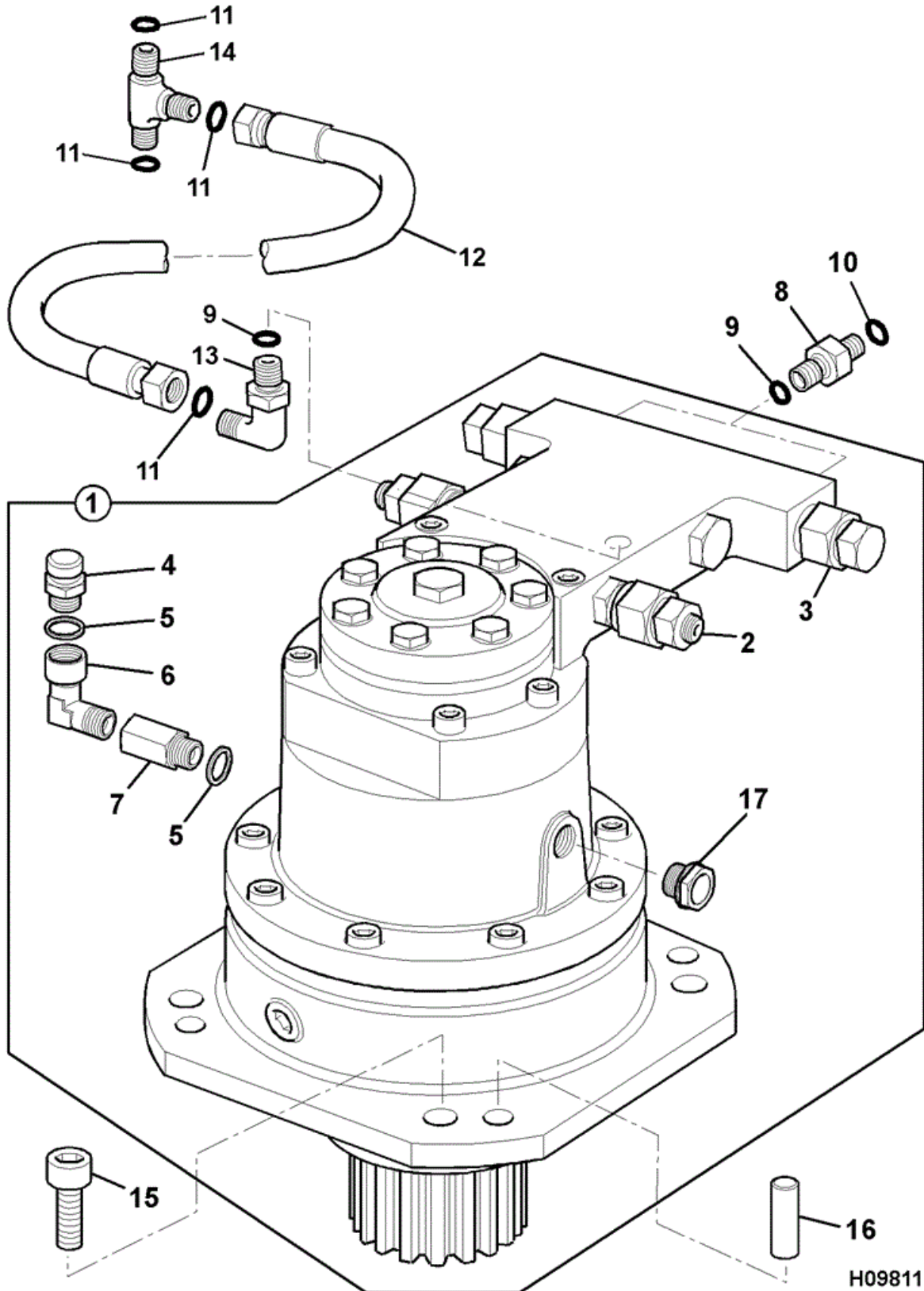
- Please note: If there is no response to CLICKING the link, please download this PDF first and then click on it.

CLICK HERE TO **DOWNLOAD** THE COMPLETE MANUAL

			<i>1in. ORFS</i>	
7	264/12501		Clamp split flange	0
8	1315/0409		Bolt M10 x 35 <i>M10 x 35</i>	0
9	823/00416		Washer spring <i>M10</i>	0
10	232/69902		Plate adaptor	1
11	826/01399		Screw countersunk <i>M10 x 20</i>	0
12	1315/0507		Setscrew <i>M12 x 25</i>	0
13	823/00417		Washer spring <i>M12</i>	0
14	232/54100	>M734251	Adapter filter <i>7/8in. SAE x 1in. ORFS</i>	1
15	816/17048		Adapter	1
16	2401/0608		O Ring	1

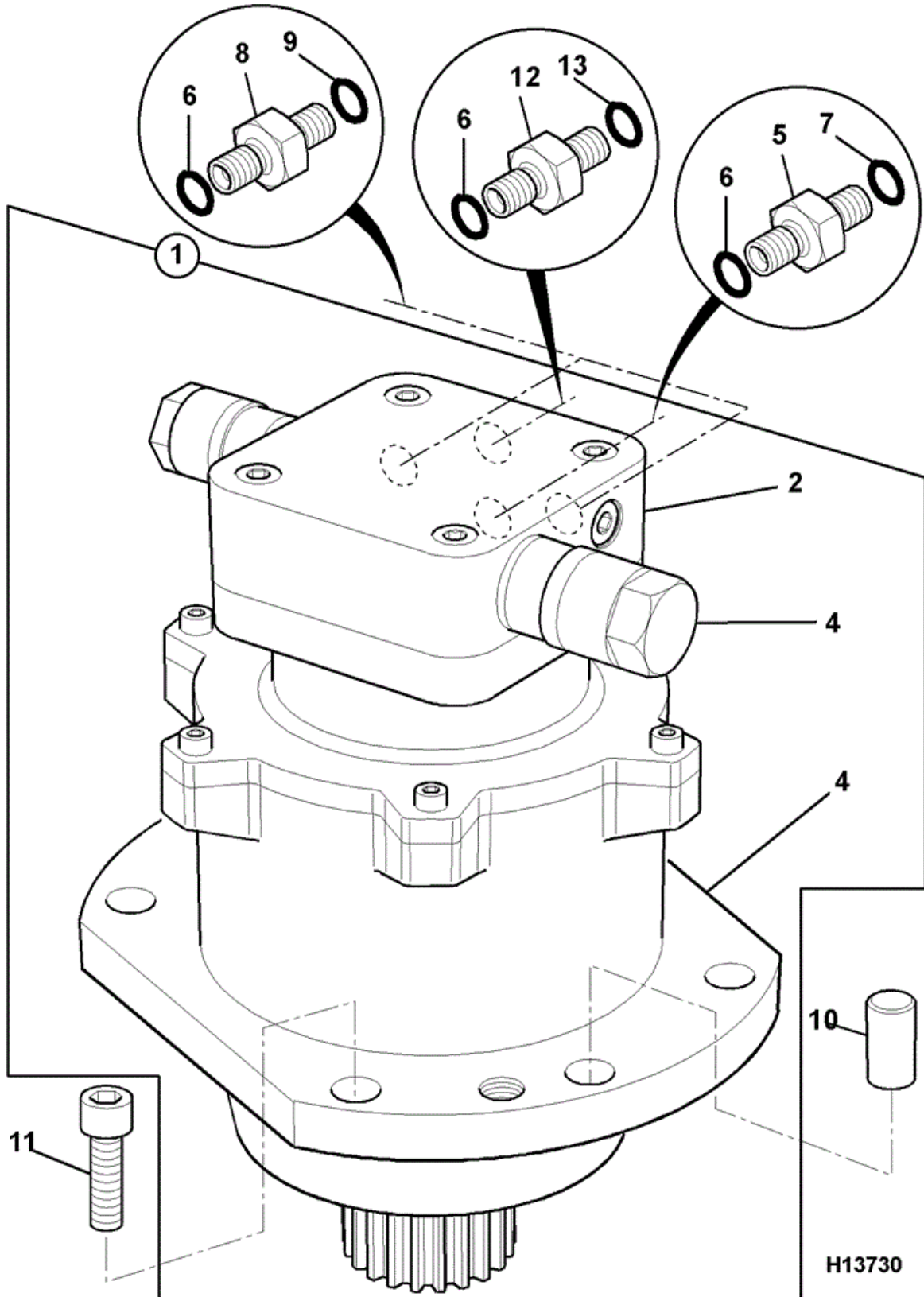


9802/5404 E2-3-4 MOTOR, SLEW ASSEMBLY



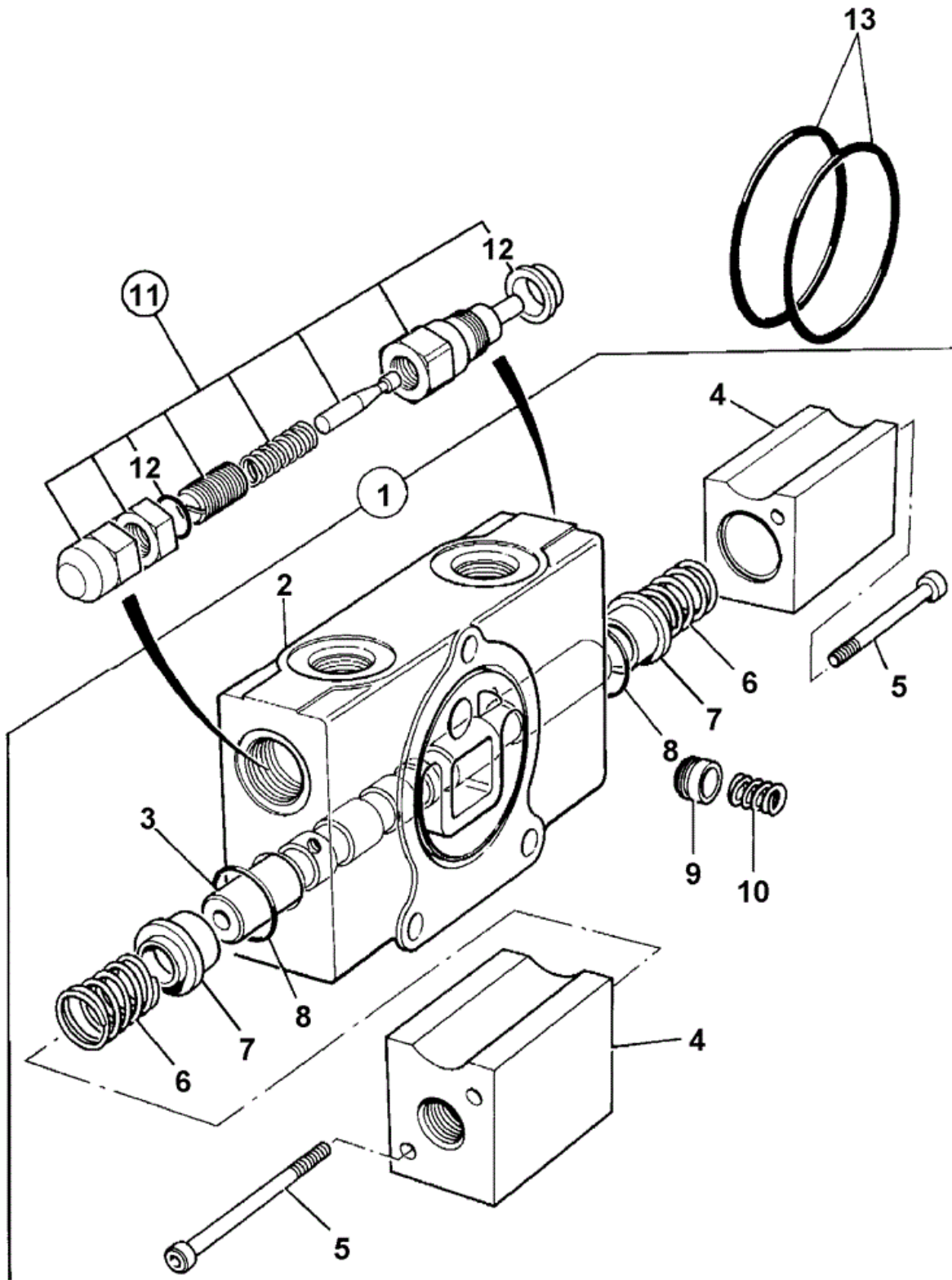


9802/5404 E2-5-2 MOTOR, SLEW ASSEMBLY





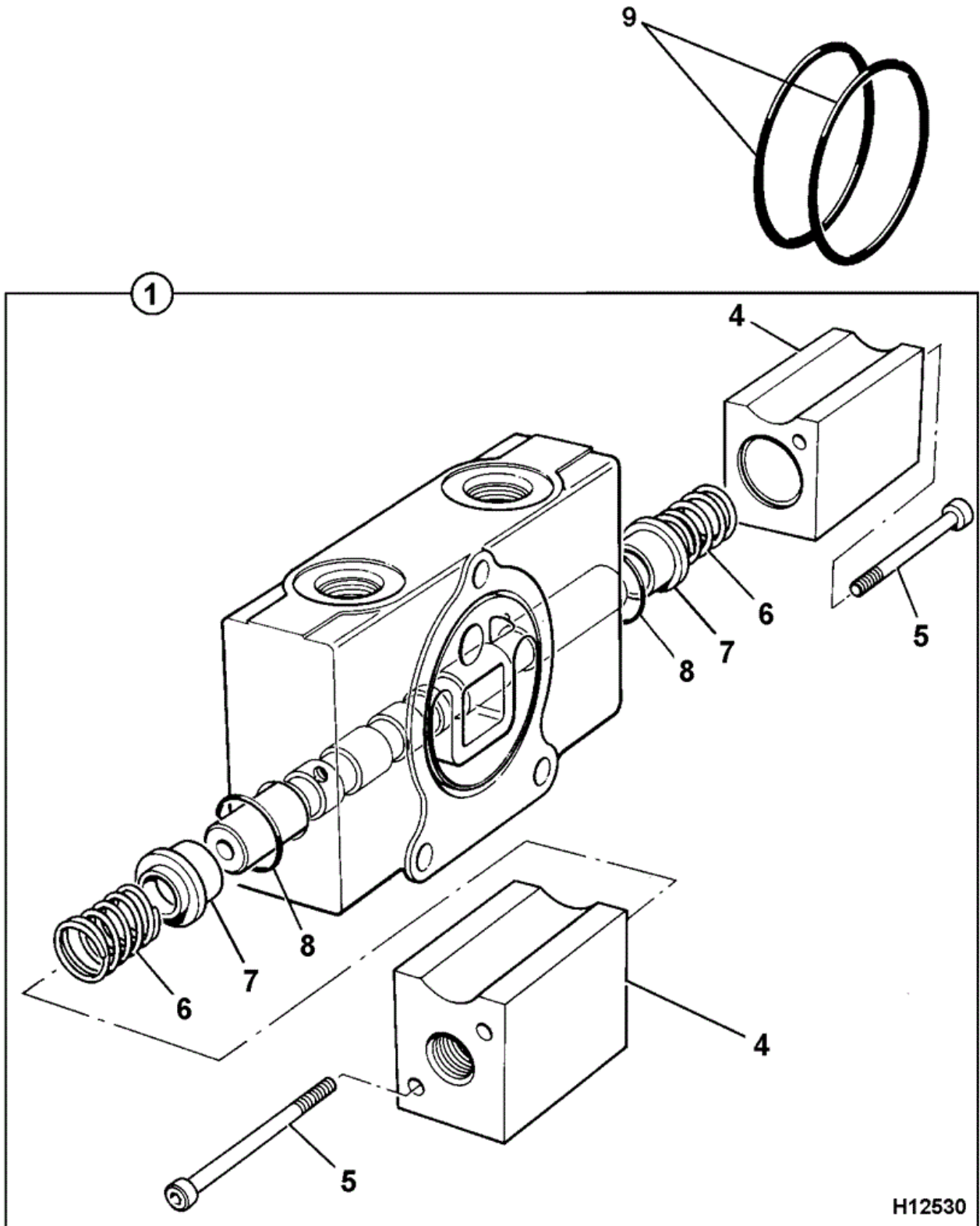
9802/5404 E3-2-2 VALVE SECTION - BOOM & DIPPER



H12500



9802/5404 E3-3-3 VALVE SECTION, SLEW



Item	Part #	Change No	Description	Usage Code	QTY

2	:25/102501		Handle assembly <i>With horn button</i>	0
3	::25/103302	Superseded	Cap push button	0
3	::25/102502		Cap push button	1
4	::25/102503		Switch micro	0
5	:25/102504		Boot rubber	0
6	:25/102505		Flange assembly	0
6A	:25/102302		Flange & joint assy	1
7	:25/102506		Plunger assembly Incl.plunger seals	0
7A	:25/102508		Spring capsule	1
7B	:25/102509		Spring	1
8	:N.S.P.		None serviced part <i>Body</i>	0
8A	:25/103303		Cam	1
8B	:25/103304		Retainer boot	1
8C	25/103306		Kit capscrew <i>3 long & 4 short</i>	1
9	:25/102507		Kit-seal servo controller excl.plunger seals <i>Servo hand controller</i>	0
10	232/05900	Superseded	Valve check	0
10	232/38300		Valve check	0
11	2401/0505		O Ring	0
12	816/27008		Adapter	0
13	2401/0603		O Ring	0
14	816/17043		Adapter straight thread	0
15	2401/0505		O Ring <i>9/16in. - 18UNF</i>	0
16	2401/0603		O Ring <i>9/16in. - 18ORFS</i>	0
17	PP/1991	Superseded	Screw button head	0
17	826/01674		Screw button head	1
18	1370/0103Z		Nut Self Lock M6	0
19	1420/0006Z		Washer (M6)	0
20	823/00198		Washer Nylon	0

Item	Part #	Change No	Description	Usage Code	QTY
1	45/910000	Superseded	Joint rotary assy.		0
1	NLA		No Longer Available <i>Rotary joint assembly See page E3-10-3</i>		1
2	:45/910001	Superseded	Shell rotary joint		0
2	NLA		No Longer Available <i>Shell, rotary joint See page E3-10-3</i>		1
3	:45/910002	Superseded	Core rotary joint		0
3	NLA		No Longer Available <i>Core, rotary joint See page E3-10-3</i>		1
4	:45/910003	Superseded	Ring		0
4	:45/908503		Ring		2
5	:45/910004	Superseded	Circlip		0
5	:45/908504		Circlip		1
6	:45/910010		Kit-seal <i>Core seals</i>		1
8	816/17046		Adapter straight thread <i>7/8in. - 13/16in.ORFS</i>		0
9	816/17043		Adapter straight thread <i>9/16in. - 9/16in.ORFS</i>		0
10	816/41008		Elbow 90deg. male <i>9/16in. - 11/16in.ORFS</i>		0
11	816/11006	<M667150	Adapter straight thread <i>7/16in. - 9/16in.ORFS</i>		0
11	816/17106	>M667151	Adapter <i>7/16in x 9/16in ORFS</i>		1
12	2401/0507		O Ring <i>7/8in.SAE</i>		0
13	2401/0505		O Ring <i>9/16in.SAE</i>		0
14	2401/0503		O Ring <i>7/16in.SAE</i>		0
15	2401/0605		O Ring <i>11/16in.ORFS</i>		0
16	2401/0603		O Ring <i>9/16in.ORFS</i>		0
17	816/17012		Adapter straight thread <i>7/8in. - 1in.ORFS</i>		0
18	2401/0607		O Ring <i>1in.ORFS</i>		0
19	2401/0606		O Ring <i>13/16in.ORFS</i>		0
20	816/17005		Adapter straight thread <i>9/16in. - 11/16in.ORFS</i>		0
21	1315/0410Z		Setscrew Screw		0
22	823/00416		Washer spring <i>M10</i>		0
23	1370/0301		Nut <i>M10</i>		0
24	231/63001		Stop joint		0
25	1315/0407		Setscrew (M10 x 25)		0
26	823/00416		Washer spring		0

3	:25/964802	Superseded	Coil		2
3	:25/964902		Coil 12V		2
4	25/964803		Kit-seal		2
5	816/17043		Adapter straight thread <i>9/16in.UNF x 9/16in.ORFS</i>		8
6	816/51014		Adapter tee, swivel nut <i>9/16in.ORFS</i>		2
7	2401/0505		O Ring <i>9/16in.UNF</i>		8
8	2401/0603		O Ring <i>9/16in.ORFS</i>		12
9	1315/3315Z		Bolt Star Drive M8 x 65mm		2
10	1370/0203Z		Nut Nut M8		2
11	1420/0007Z		Washer (M8)		2

			<i>For Service Parts, See frame E4-1-2</i>	
1	576/60038		Ram assembly <i>For Service Parts, See frame E4-1-3</i>	1
2	:232/08501		Cylinder	0
3	::232/08502	Superseded	Bush	0
3	::232/51201		Bush	1
4	:N.L.A		No longer available <i>Use 232/56900, see E4-1-2</i>	0
5	::232/08502	Superseded	Bush	0
5	::232/08502		Bush	1
6	:1450/0001		Nipple Grease, Straight 1/8 BSP	0
7	:232/08505		Head piston	0
8	:232/08506		Screw set	0
9	:232/08507		Bearing gland	0
10	:232/08508		Bush	0
11	****		'See Remark' <i>NSP. Part of Item 9.</i>	0
12	:232/08510		Ring outer	0
13	:232/08511		Ring Retaining	0
14	:232/08512		Kit-seal ram	0
15	232/11308		Spacer	0

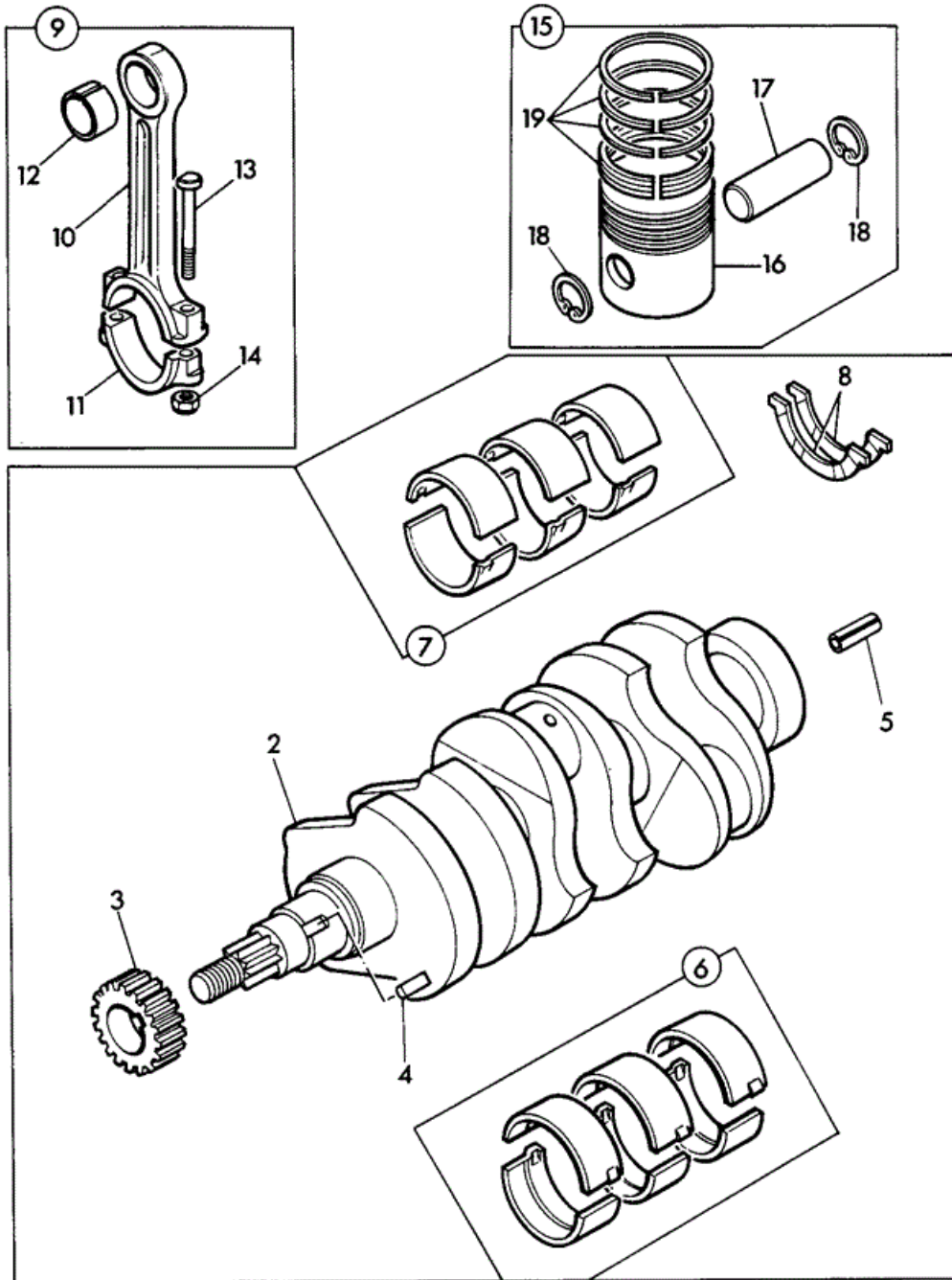
Item	Part #	Change No	Description	Usage Code	QTY
1	557/60024	Superseded	Ram assembly		1
1	557/60076		Ram dozer		1
2	:557/70024		Cylinder		1
3	:590/40277		Rod piston		1
4	:831/10002		Bush		2
5	:1450/0001		Nipple Grease, Straight 1/8 BSP		1
6	:1450/1007		Nipple Grease		1
7	:594/00083		Cap end		1
8	:2411/9005		Bush		1
9	:2411/0605		Seal gland 45mm rod		1
10	:2411/8605		Seal wiper 45mm rod		1
11	:2302/0310		O Ring		1
12	:595/10079		Piston head		1
13	:2302/0156		O Ring		1
14	:826/01297		Dowel tapped		1
15	:2411/7918		Ring Wear		2
16	:2411/1135		Seal piston		1
17	991/00165		Kit-seal		1
18	2401/0605		O Ring		2
19	231/20003		Plate protection		1
20	1315/0405Z		Setscrew M10 x 20 mm		2
21	823/00416		Washer spring		2

1	:20/905810		Casing output	0
2	:20/905811		Shaft output	0
3	:20/905812		Circlip <i>External</i>	0
4	:20/905813		Circlip <i>Internal</i>	0
5	:20/905816		Bearing	0
6	:20/905817		Shim	0
7	:20/905818		Plug	1
8	****		None serviced part <i>See item 11</i>	0
9	****		None serviced part <i>See item 11</i>	1
10	:20/905821		Pad <i>See item 11</i>	0
11	:20/905822	Superseded	Gear assembly planet carrier	0
11	:20/905865		Gear train, assembly <i>Includes items 8, 9, 10 & 12</i>	1
12	:20/905823		Ring seal <i>See item 11</i>	0
13	:20/905824		Coupling	0
14	:20/905825		Case input	0
17	:20/905828		Pin	2
20	1391/3312Z		Capscrew M8 x 50mm	8
24	:20/905835		Plug magnetic	0
26	:20/905838		Kit seal	0

Item	Part #	Change No	Description	Usage Code	QTY
1	232/31400	Superseded	Undercarriage <i>803</i>		1
1	232/15400	<M666915	Undercarriage <i>803</i>		1
1	232/30000	<M765027	Undercarriage <i>803</i>		1
1	232/79400	>M765028	Undercarriage <i>803</i>		1
1	232/31800	<M734153	Undercarriage <i>804</i>		0
1	232/13900	<M TBA	Undercarriage <i>804</i>		1
1	232/80000	>M TBA	Undercarriage <i>804</i>		1
2	232/23500		Gear slew ring <i>803</i> <i>See Note 1</i>		0
2	232/21300		Gear slew ring <i>804</i>		0
4	1316/3516Z	Superseded	Bolt <i>803, M12 x 70</i>		0
4	1316/3515Z		Bolt <i>803, M12 x 65, see Note 1</i>		16
4	1316/3616Z		Bolt <i>804, M14 x 70</i>		0
5	823/00394		Washer M12 <i>803, see Note 1</i>		0
5	823/00540		Washer special <i>804, M14</i>		0
6	826/01290		Dowel		0
7	1316/3514Z		Bolt <i>803, M12 x 60</i>		0
7	1316/3614Z		Bolt <i>804</i>		16
8	232/14302		Cover track box		0
9	1315/0405Z		Setscrew M10 x 20 mm <i>M10 x 20</i>		16
10	823/00416		Washer spring <i>M10</i>		22
11	232/14303		Plate base cover		0
12	232/14304		Cover track tension		0
13	1315/0301Z		Screw Hexagon M8 X 12mm		0
14	823/00415Z		Washer spring <i>M8</i>		0
15	232/14305		Cover		0
16	1315/0301Z		Screw Hexagon M8 X 12mm		0
17	823/00415		Washer spring		0
18	835/00067		Plug		0
19	1315/3509Z		Bolt M12x35 Grade 8.8 <i>M12 x 35</i>		0
20	823/00417		Washer spring <i>M12</i>		0
21	828/00229		Grommet		0

Note 1: 803 m/c's M66678-780,816-821,876-881 & M765139-178 fitted with 804 slew ring & fixings.

			<i>803 and 804</i>	
1	331/32806	>01/03/03	Roller assembly (Center flange - no groove)	8
2	:232/54050		Shaft	1
3	:232/54051		Seal	2
4	:232/54052		Clip shaft	2
5	:232/54053		Bush roller	2
6	:232/54055		Seal	4
7	:232/54056		Bracket support, outer	1
8	:232/54057		Bracket support, inner	1
9	:232/54058	Superseded	Roller	1
9	331/34075		Roller Shell	1
11	1315/3709Z		Screw set (Bolt M16 x 35) <i>M16 x 35</i>	2
12	823/00409		Washer M16	2

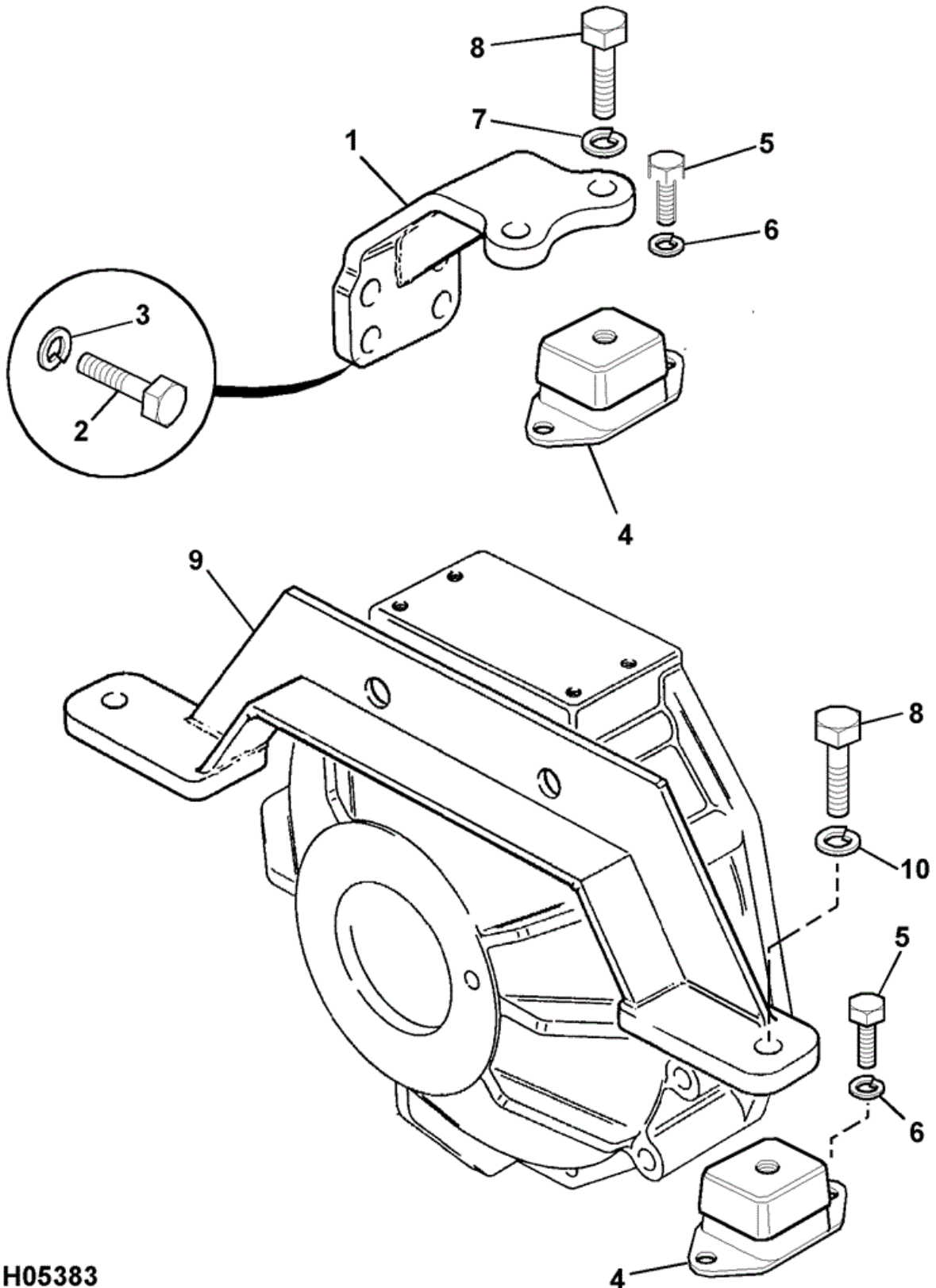


118611

Item	Part #	Change No	Description	Usage Code	QTY
1	02/630715		Crankshaft assembly		1
3	:02/630716		Gear		1
4	:02/630042		Key		1
5	:02/630043		Pin		1
6	:02/630717		Kit-bearing main standard		1



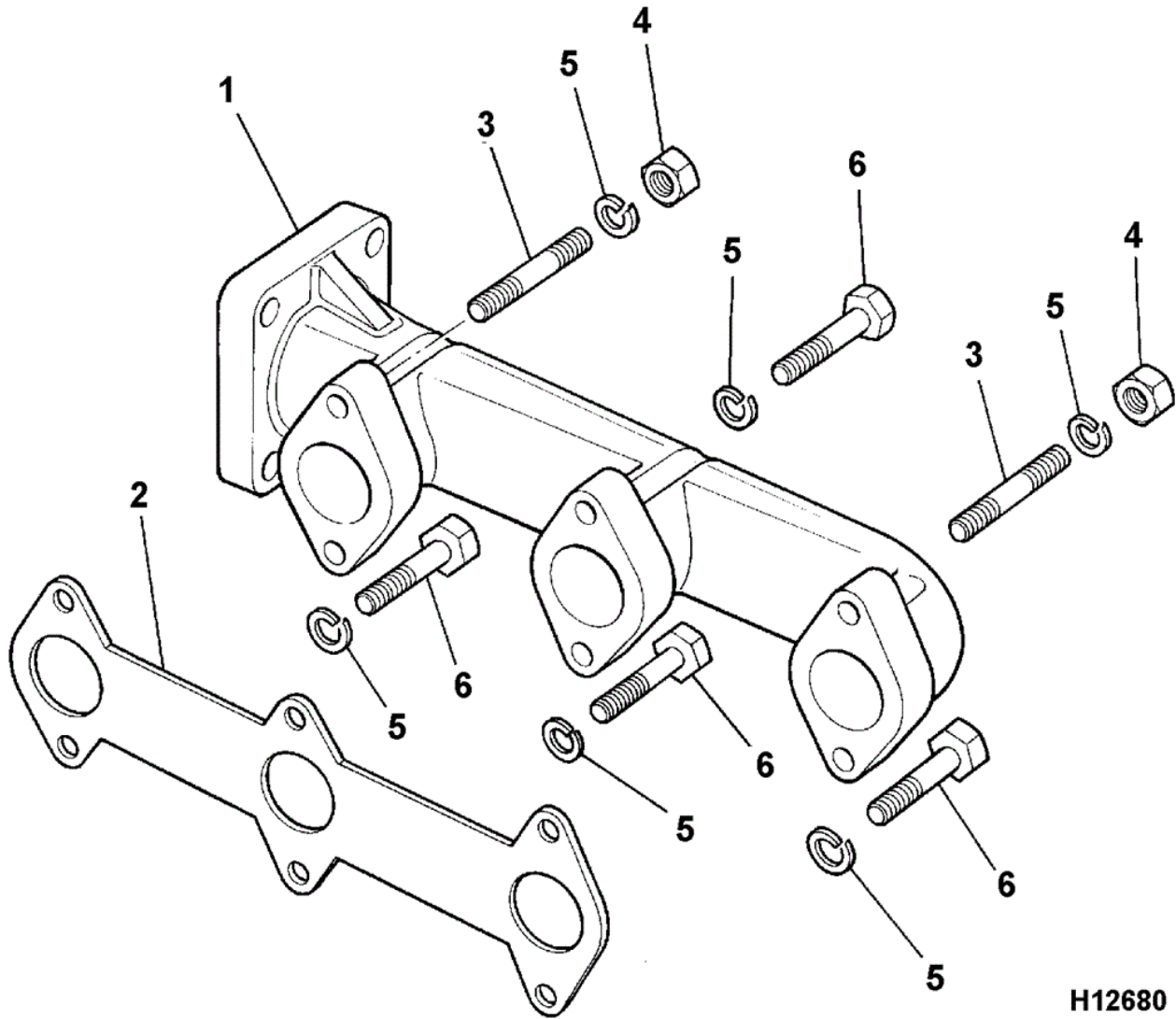
9802/5404 L1-8-1 ENGINE MOUNTINGS



H05383



9802/5404 L3-2-1 MANIFOLD, EXHAUST



H12680

Item	Part #	Change No	Description	Usage Code	QTY
1	232/40009		Manifold exhaust		1
2	813/00393		Gasket		1
3	02/630185		Stud		2
4	1370/0101Z		Nut (M6)		2
5	823/00414Z		Washer spring		6
6	1315/0207Z		Screw M6x25		4

9	02/632137	>M743163	<i>804 canopy m/c's, see T.I. 95</i>		1
10	232/98191	>M743163	Adapter temp. switch <i>804 canopy m/c's, see T.I. 95</i>		1

Item	Part #	Change No	Description	Usage Code	QTY
1	232/42600		Radiator /Oil Cooler assy. <i>802.7 & 803</i>		0
1	232/49800		Radiator & oil cooler assy. <i>804</i>		0
2	:30/204600	Superseded	Radiator		0
2	30/919100		Radiator		1
3	::30/903301		Cap radiator filler		1
3	::30/204601	>M743163	Cap filler/pressure <i>13 p.s.i.</i>		1
4	::30/903302		Plug drain & washer		0
5	::30/903304		Tube overflow		0
6	:30/204700		Cooler oil <i>803</i>		0
6	:30/303200		Cooler oil <i>804</i>		1
6	:30/205400	>M743163	Cooler oil <i>804, see TI 95</i> <i>See Note 1</i>		1
6	:30/205400		Cooler oil <i>802.7</i>		1
7	834/00536	Superseded	Hose upper <i>See TI 132 (JDS TechWeb Search - JCB Bulletin Number 8/132)</i>		0
7	834/00788		Hose top		1
7	834/00788		Hose top <i>804 tropical option only</i>		1
8	834/00537		Hose bottom		0
9	2201/0009		Clip Jubilee		0
10	30/204609		Kit-bracket oil cooler		2
11	30/204602		Screw hex. head <i>802.7 & 803</i>		2
11	1315/3230		Screw hex. head <i>M6 x 200, 804</i>		2
12	30/204603		Bolt		2
13	30/204604		Washer plain		6
14	30/204605		Washer spring		2
15	30/204606		Nut		2
16	232/98161		Spacer <i>804</i>		2
17	232/98220	>M743163	Tube adaptor <i>804, see T.I.95</i>		1
18	02/632137	>M743163	Sender temperature <i>804, see T.I.95</i>		1
19	718/56001	>M743163	Wire sender <i>804, see T.I.95</i>		1
20	718/56008		Wire earth <i>804, hot climate</i>		1
21	1370/0103Z		Nut Self Lock M6 <i>804 hot climate</i>		1
22	1420/0006Z		Washer (M6) <i>804 hot climate</i>		1
23	121/77603		Tie Cable 300mm		3

Note 1: Fitted also to M734066-M734069,M734076,M734089-M734092,M734094 & M734097

Item	Part #	Change No	Description	Usage Code	QTY
1	02/630800		Pump oil idler gear		1
2	:02/630207		Spring		1
3	02/630789		Rotor		1
4	02/630214		Cover		1
5	02/630215		Shim oversize - 0.10mm		0
5	02/630216		Shim oversize - 0.15mm		0
5	02/630217		Shim oversize - 0.20mm		0
5	02/630218		Shim oversize - 0.50mm		0
6	02/630219		Spring		1
7	02/630220		Collar		1
8	02/630221		Circlip		1
9	02/630222		Washer thrust		1
10	02/630223		Valve oil pressure relief		1
11	02/630224		O Ring		1
12	02/630788		Kit-repair oil pump <i>Contains items 3 & 4</i>		1

3	816/60085		Olive 1/4"		2
4	1315/0408		Bolt		2
5	823/00416		Washer spring		2
6	649/32000		Hose <i>Sedimenter to pump</i>		1
7	231/40014		Clip snapper		1
8	649/15700		Hose <i>Lift pump to filter</i>		1
14	649/15600		Hose <i>Filter - injector</i>		1
18	649/46400		Hose <i>Injectors to tank</i>		1
20	2401/0107		O Ring		6
21	204/07006		Tie Cable		5
22	2201/0001		Clip Worm Drive 8/16mm		1
23	231/40016		Elbow		1
24	236/15901		Nut		2
26	****		'See Remark' <i>Filter, fuel See page L6-4-1</i>		1
27	****		'See Remark' <i>Fuel sedimenter assembly See page L6-6-1</i>		1
28	****		'See Remark' <i>Pump, fuel lift See page L6-5-1</i>		1

CLICK HERE TO **DOWNLOAD** THE COMPLETE MANUAL

- Thank you very much for reading the preview of the manual.
- You can download the complete manual from: www.heydownloads.com by clicking the link below



- Please note: If there is no response to CLICKING the link, please download this PDF first and then click on it.

CLICK HERE TO **DOWNLOAD** THE COMPLETE MANUAL