



JAGUAR
Parts
Catalogue

Jaguar
2.9 & 3.6 Litre
Saloons

RTC9893CB
January 1989

Whilst every effort is made to ensure the accuracy of the particulars contained in this Manual the Manufacturing Companies will not, in any circumstances, be held liable for any inaccuracies or the consequences thereof.

© Jaguar Cars Ltd 1989

All rights reserved. No part of this publication may be reproduced, stored in a retrieval system or transmitted in any form, whether by electronic, mechanical, photocopying, recording or other means without the permission of Jaguar Cars Limited.



Replacement parts that are not of genuine Jaguar supply cannot be relied upon to be of correct specification, material, and workmanship and therefore Jaguar cannot be expected to extend Warranty to vehicles which have been fitted with parts not supplied by them.

Jaguar reserves the right to make changes or improvements in the construction or specification of their products at any time.

IN ORDER TO ENSURE PROMPT AND CORRECT EXECUTION OF YOUR ORDERS IT IS ESSENTIAL TO QUOTE:-

1. The relative Unit Number, together with prefixes, suffixes and specification reference where applicable.
eg. Axle, Body, Vehicle Identification, Engine, Gearbox Numbers etc.
2. The Part Number and description (prefix and suffix letters to Part Numbers must always be quoted).
3. Always state the colour of carpets, painted items, trim items etc., using the colour code from the Vehicle Identification number (VIN) plate and the colour combination key to identify the colour name.
4. The quantity required bearing in mind that the quantities shown are those used in the application actually illustrated. Sometimes only minimum packaged quantities are available. These packs may well contain more parts than are required for a single job; for details of packaged quantities, see the Service Parts List.

THE LISTING OR ILLUSTRATING OF AN ITEM DOES NOT GUARANTEE ITS AVAILABILITY

CLICK HERE TO **DOWNLOAD** THE COMPLETE MANUAL

- Thank you very much for reading the preview of the manual.
- You can download the complete manual from: www.heydownloads.com by clicking the link below



- Please note: If there is no response to CLICKING the link, please download this PDF first and then click on it.

CLICK HERE TO **DOWNLOAD** THE COMPLETE MANUAL

Illus	Part Number	123456 Description	Quantity	Change Point	Remarks
		CONSUMABLE ITEMS.			
	JLM 9755	Alloy Wheel Cleaner Kit.....	1		
	JLM 9829	Hide Food-11 oz Jar.....	1		
	JLM 9830	Aerial Cleaner.....	1		
	JLM 9885	Cassette Cleaner.....	1		
	JLM 9867	Shampoo-300 ml.....	1		
	JLM 9868	Polish-300 ml.....	1		
	JLM 9869	Leather Cleaner-300 ml.....	1		
	JLM 9871	Glass Cleaner-300 ml.....	1		
	JLM 9872	Chrome Polish-300 ml.....	1		
	JLM 9876	Chamois Leather.....	1		
	JLM 9877	Polishing Cloth.....	1		
	JLM 9878	Sponge.....	1		
	JLM 9874	Windscreen Washer Fluid-500 ml.....	1		
	JLM 9882	Windscreen Washer Fluid-sachet.....	1		
	JLM 9879	Anti-Mist Wipe.....	1		
	JLM 9880	Ice Scraper.....	1		
	JLM 9875	De Icer.....	1		

ILLUSTRATION NOT USED

3 J 04

These items can be found in the Jaguar XJ6 Accessories Brochure

ND

MASTER INDEX		GROUP INDEX		PAINT REPAIR TIMES	
ENGINE.....	1.C	ACCESSORIES.....	J06	REPAIR OPERATION TIMES.....	J12
FLYWHEEL AND CLUTCH.....	1.F	AUXILIARY LIGHTING.....	J07	SERVICE MANUAL.....	J10
GEARBOX AND PROPSHAFT.....	1.G	CHILD SAFETY.....	J06	SERVICE RECORD & WARRANTY.....	J11
AXLES, SUSPENSION, DRIVE SHAFTS, WHEELS.....	1.J	IN CAR ENTERTAINMENT.....	J07	VEHICLE MAINTENANCE SHEETS.....	J11
STEERING.....	1.K	MATS AND CARPETS.....	J06	WARRANTY CODES.....	J11
BRAKES AND BRAKE CONTROLS.....	1.L	NUMBER PLATES.....	J06	PAINT.....	J08
FUEL, EXHAUST AND EMISSION SYSTEMS.....	1.M	ROAD WHEELS.....	J07	TOOL KIT.....	J02
COOLING, HEATING AND AIR CONDITIONING.....	2.C	ROOFRACK.....	J06		
ELECTRICAL, WASHERS-WIPERS, INSTRUMENTS.....	2.E	SAFETY EQUIPMENT.....	J07		
CHASSIS, SUBFRAMES, BODY SHELL, FITTINGS.....	2.J	TOWING EQUIPMENT.....	J06		
FASCIA, TRIM, SEATS AND FIXINGS.....	3.C	CAR JACK & WHEEL BRACE.....	J03		
ACCESSORIES AND PAINT.....	3.J	CONSUMABLE ITEMS.....	J04		
NUMERICAL INDEX.....	3.K	JAGUAR DIAGNOSTIC SYSTEM-CONSUMABLES.....	J13		
		MUD FLAPS.....	J09		
		DRIVERS HANDBOOK.....	J10		
		FORCOURT DATA CARD.....	J11		
		JDS USER GUIDE.....	J12		
		MAINTENANCE GUIDE.....	J10		
		MAINTENANCE HANDBOOK.....	J12		
		P.D.I FORMS.....	J11		

JAGUAR 2.9 AND 3.6 LITRE SALOONS

J14
fiche 3

ACCESSORIES AND PAINT

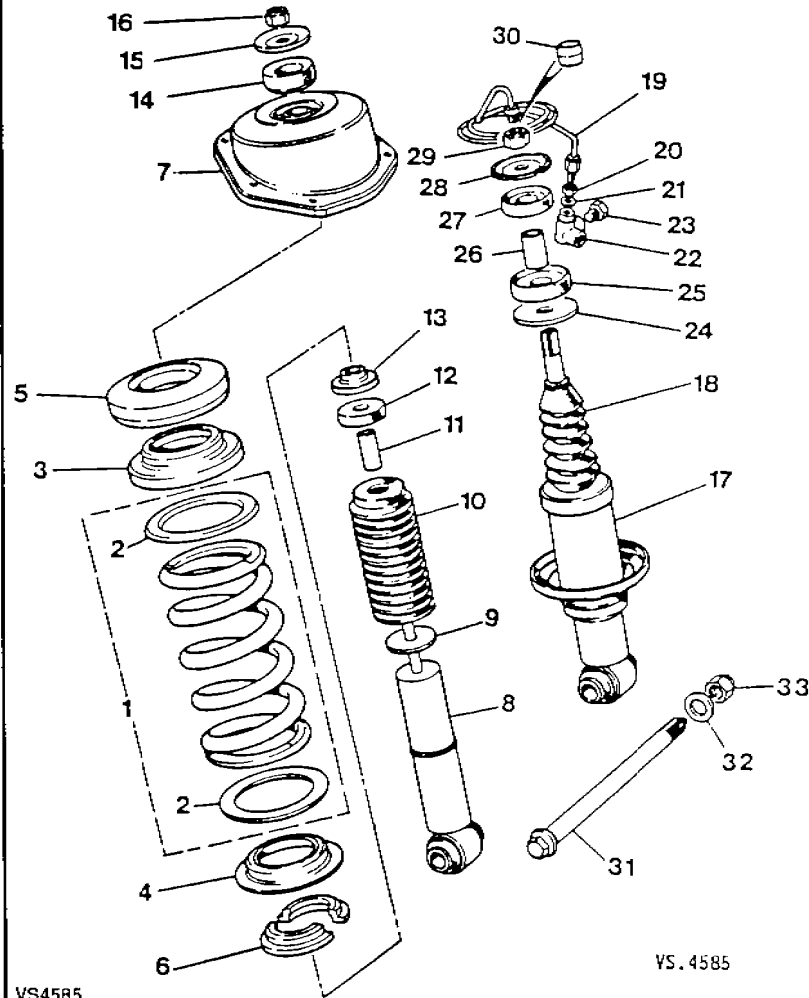
Illus	Part Number	123456 Description	Quantity	Change Point	Remarks
JAGUAR DIAGNOSTIC SYSTEM-CONSUMABLES					
	JDS 1023	ADAPTOR KIT-BLACK			
	JDS 1023 1	No 1 Adaptor.....	1		
	JDS 1023 2	No 2 Adaptor.....	1		
	JDS 1023 3	No 3 Adaptor.....	1		
	JDS 1023 4	No 4 Adaptor.....	1		
	JDS 1023 5	No 5 Adaptor.....	1		
	JDS 1023 6	No 6 Adaptor.....	1		
	JDS 1023 7	No 7 Adaptor.....	1		
	JDS 1023 8	No 8 Adaptor.....	1		
	JDS 1023 9	No 9 Adaptor.....	1		
	JDS 1023 10	No 10 Adaptor.....	1		
	JDS 1023 11	No 11 Adaptor.....	1		
	JDS 1023 12	No 12 Adaptor.....	1		
	JDS 1023 13	No 13 Adaptor.....	1		
	JDS 1023 14	No 14 Adaptor.....	1		
	JDS 1023 15	No 15 Adaptor.....	1		
	JDS 1023 16	No 16 Adaptor.....	1		
	JDS 1023 17	No 17 Adaptor.....	1		
	JDS 1023 18	No 18 Adaptor.....	1		
	JDS 1023 19	No 19 Adaptor.....	1		
	JDS 1023 20	No 20 Adaptor.....	1		
	JDS 1023 21	No 21 Adaptor.....	1		
	JDS 1023 22	No 22 Adaptor.....	1		
	JDS 1023 23	No 23 Adaptor.....	1		

ILLUSTRATION NOT USED

3 J 14

ND

MASTER INDEX		GROUP INDEX		PAINT REPAIR TIMES	
ENGINE.....	1.C	ACCESSORIES.....	J06	REPAIR OPERATION TIMES.....	J12
FLYWHEEL AND CLUTCH.....	1.F	AUXILIARY LIGHTING.....	J07	SERVICE MANUAL.....	J10
GEARBOX AND PROPSHAFT.....	1.G	CHILD SAFETY.....	J06	SERVICE RECORD & WARRANTY.....	J11
AXLES, SUSPENSION, DRIVE SHAFTS, WHEELS.....	1.I	IN CAR ENTERTAINMENT.....	J07	VEHICLE MAINTENANCE SHEETS.....	J11
STEERING.....	1.K	MATS AND CARPETS.....	J06	WARRANTY CODES.....	J11
BRAKES AND BRAKE CONTROLS.....	1.L	NUMBER PLATES.....	J06	PAINT.....	J08
FUEL, EXHAUST AND EMISSION SYSTEMS.....	1.M	ROAD WHEELS.....	J07	TOOL KIT.....	J02
COOLING, HEATING AND AIR CONDITIONING.....	2.C	ROOFRACK.....	J06		
ELECTRICAL, WASHERS-WIPERS, INSTRUMENTS.....	2.E	SAFETY EQUIPMENT.....	J07		
CHASSIS, SUBFRAMES, BODY SHELL, FITTINGS.....	2.J	TOWING EQUIPMENT.....	J06		
FASCIA, TRIM, SEATS AND FIXINGS.....	3.C	CAR JACK & WHEEL BRACE.....	J03		
ACCESSORIES AND PAINT.....	3.J	CONSUMABLE ITEMS.....	J04		
NUMERICAL INDEX.....	3.K	JAGUAR DIAGNOSTIC SYSTEM-CONSUMABLES.....	J13		
		MUD FLAPS.....	J09		
		DRIVERS HANDBOOK.....	J10		
		FORCOURT DATA CARD.....	J11		
		JDS USER GUIDE.....	J12		
		MAINTENANCE GUIDE.....	J10		
		MAINTENANCE HANDBOOK.....	J12		
		P.D.I FORMS.....	J11		



Illus	Part Number	123456 Description	Quantity	Change Point	Remarks
REAR SPRING AND DAMPER-continued.					
17	CBC 4214	Strut assembly.....	2	Up to (V)527356	Self levelling
	CBC 5961	Strut assembly.....	2	From (V)527357	
18	CAC 9680	Gaiter-strut.....	2		
	CAC 8730	Pipe assembly RH.....	1		
	CAC 8731	Pipe assembly LH.....	1		
20	C 41712	Nut.....	2		
21	WF 110001 J	Shakeproof washer.....	2		
22	CBC 4622	3 way connector.....	2		
23	CAC 8293	Bleed screw.....	2		
	CBC 4177	Dust cover.....	1		
24	CAC 9678	Lower washer.....	2		
25	CAC 9494 65	Lower isolator.....	2		
26	CAC 9679	Spacer tube.....	2		
27	CAC 9493 50	Upper isolator.....	2		
28	CAC 9492	Dished washer.....	2		
29	CAC 9496	Nut.....	2		
30	CAC 9955 5	Olive.....	2	Up to (V)527356	Spring and strut/damper to body
	CBC 7281 5	Olive.....	2	From (V)527357	
31	CAC 5833	Damper bolt.....	2		
32	WA 116101 J	Washer.....	2		
33	NY 116041 J	Nut-locking.....	2		
	GL 108251 PJ	Setscrew.....	8		
	FW 105 E	Plain washer.....	8		

E14.02AW1/9/88

VS. 4585

VS4585

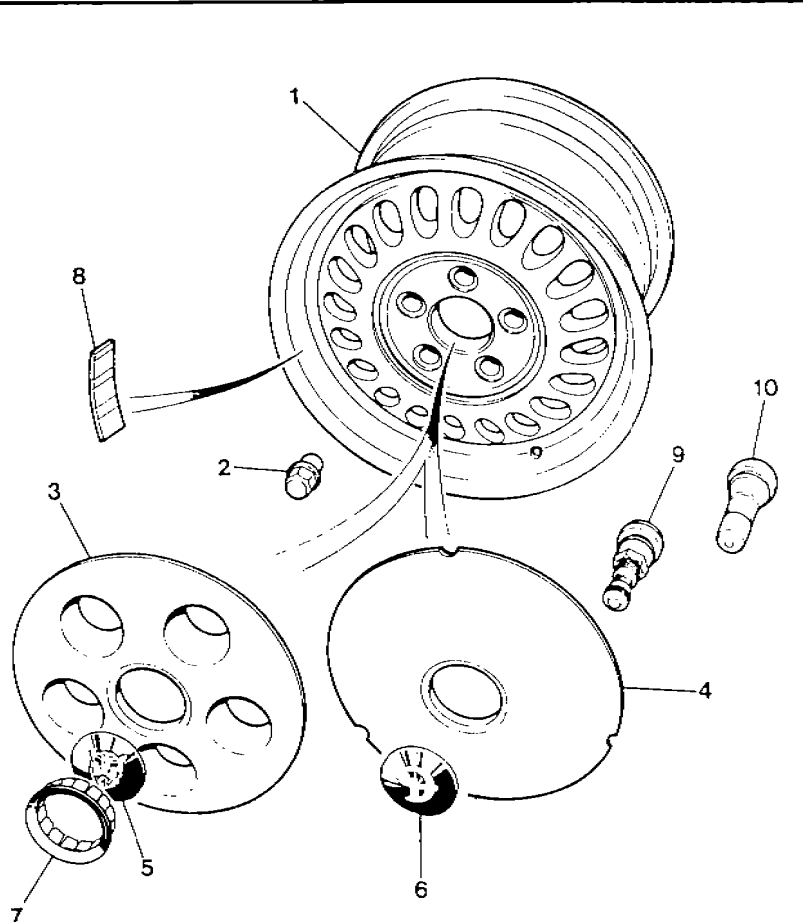
11 10

MASTER INDEX

ENGINE.....	1.C
FLYWHEEL AND CLUTCH.....	1.F
GEARBOX AND PROPSHAFT.....	1.G
AXLES, SUSPENSION, DRIVE SHAFTS, WHEELS.....	1.I
STEERING.....	1.K
BRAKES AND BRAKE CONTROLS.....	1.L
FUEL, EXHAUST AND EMISSION SYSTEMS.....	1.M
COOLING, HEATING AND AIR CONDITIONING.....	2.C
ELECTRICAL, WASHERS-WIPERS, INSTRUMENTS.....	2.E
CHASSIS, SUBFRAMES, BODY SHELL, FITTINGS.....	2.J
FASCIA, TRIM, SEATS AND FIXINGS.....	3.C
ACCESSORIES AND PAINT.....	3.J
NUMERICAL INDEX.....	3.K

GROUP INDEX

ANTI ROLL BAR AND LOWER FULCRUM TIE.....	103
DIFF MOUNTING AND SWING ARM.....	108
DIFFERENTIAL UNIT.....	114
FRONT CROSSBEAM ASSEMBLY.....	102
FRONT HUBS-VERTICAL LINK AND STUB AXLE.....	106
FRONT ROAD SPRING AND DAMPER.....	105
HALF SHAFT ASSEMBLY.....	113
REAR FRAME(CARRIER).....	107
REAR HUB CARRIER AND HUB ASSEMBLY.....	112
REAR SPRING AND DAMPER.....	109
ROAD WHEEL-ALLOY.....	J03
ROAD WHEELS-PRESS SPOKE.....	J02
SUSPENSION PIPES.....	111
UPPER AND LOWER WISHBONES.....	104



Illus	Part Number	123456 Description	Quantity	Change Point	Remarks
ROAD WHEEL-ALLOY.					
1	CBC 4691	Alloy road wheel.....	5] Optional Jag Sid Daimler USA VDP 360 USA/CDN
	CAC 9650	Alloy road wheel.....	5	Up to VIN513544	
	CBC 4688	Alloy road wheel.....	5	VIN 513545	USA VDP 360 USA/CDN
2	CAC 4547 2	Wheel nut-Jaguar.....	20		
	CAC 7367 1	Wheel nut-Daim(Sov,VDP,N/America).....	20		
3	CAC 6438	Hub cap-Jaguar.....	4		Wheelnut holes Plain
4	CAC 6439 1	Hub Cap-Daim(Sov,VDP,N/America).....	4		
5	CAC 6502	Badge-Jag,Sov(VDP,N/America).....	4		
6	CBC 4515	Badge-Daimler.....	4		
7	CAC 6442	Retainer-badge-Jaguar.....	4		
	CAC 5073	Retainer-badge-Daimler.....	4		
8	CBC 4059	Balance weight strip.....	A/R		15gram to 80grams Alternative
	CBC 5497	Balance weight strip.....	A/R		
9	CAC 4123	Valve.....	5		Alternative See notes
	CAC 7218	Valve.....	5		Alternative See notes
10	CBC 5005	Valve-snap in rubber.....	5		Alloy CBC 4691 USA/CDN
	CBC 4692	Road wheel & tyre assy (Dunlop).....	5		
	CBC 4693	Road wheel & tyre assy (Michelin).....	5		
	CBC 4689	Road wheel & tyre assy (Pirelli).....	5		

VS4598/B

Tyre valve CBC 5005 is specified for wheel CBC 4688 USA VDP 360.

1J 03

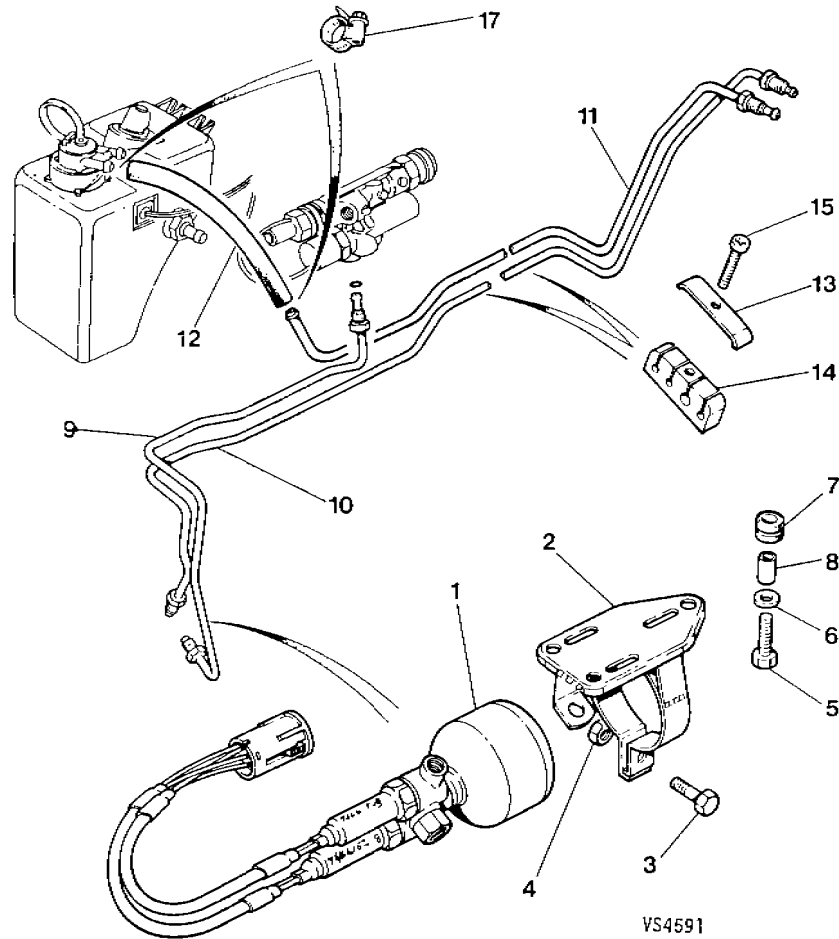
VS4598B

MASTER INDEX

ENGINE.....	1.C
FLYWHEEL AND CLUTCH.....	1.F
GEARBOX AND PROPSHAFT.....	1.G
AXLES, SUSPENSION, DRIVE SHAFTS, WHEELS.....	1.I
STEERING.....	1.K
BRAKES AND BRAKE CONTROLS.....	1.L
FUEL, EXHAUST AND EMISSION SYSTEMS.....	1.M
COOLING, HEATING AND AIR CONDITIONING.....	2.C
ELECTRICAL, WASHERS-WIPERS, INSTRUMENTS.....	2.E
CHASSIS, SUBFRAMES, BODY SHELL, FITTINGS.....	2.J
FASCIA, TRIM, SEATS AND FIXINGS.....	3.C
ACCESSORIES AND PAINT.....	3.J
NUMERICAL INDEX.....	3.K

GROUP INDEX

ANTI ROLL BAR AND LOWER FULCRUM TIE.....	103
DIFF MOUNTING AND SWING ARM.....	108
DIFFERENTIAL UNIT.....	114
FRONT CROSSBEAM ASSEMBLY.....	102
FRONT HUBS-VERTICAL LINK AND STUB AXLE.....	106
FRONT ROAD SPRING AND DAMPER.....	105
HALF SHAFT ASSEMBLY.....	113
REAR FRAME(CARRIER).....	107
REAR HUB CARRIER AND HUB ASSEMBLY.....	112
REAR SPRING AND DAMPER.....	109
ROAD WHEEL-ALLOY.....	J03
ROAD WHEELS-PRESS SPOKE.....	J02
SUSPENSION PIPES.....	111
UPPER AND LOWER WISHBONES.....	104



illus	Part Number	123456 Description	Quantity	Change Point	Remarks
ACCUMULATOR AND PIPES					
1	CBC 1779	Accumulator manifold assy.....	1		
2	CAC 9996	Mounting bracket.....	1		
3	SH 108250 J	Setscrew.....	1		Mntg brkt to body
4	NY 108041 J	Nut.....	1		
5	AGU 2209 J	Bolt.....	3		
6	WJ 106001 J	Plain washer.....	3		
7	CAC 9596	Grommet-mounting.....	3		
8	CAC 1825	Spacer.....	3		
9	CAC 9528	Hydraulic pipe-Acc to solenoid.....	1		
10	CAC 9525	Hydraulic pipe-Acc to booster.....	1		RHD
	CAC 9526	Hydraulic pipe-Acc to booster.....	1		LHD
11	CAC 9527	Hydraulic pipe-booster to hose.....	1		RHD
	CBC 2686	Hydraulic pipe-booster to hose.....	1		LHD
12	CAC 7517 3	Hose-booster pipe to reservoir.....	1		
	CBC 6314 1	Hose-booster pipe to reservoir.....	1		
13	CAC 9457	Clip retainer.....	2		
14	CAC 9456	Pipe clip.....	2		
15	AGU 2071 J	Screw.....	2		
16	AGU 1501 J	Lokut nut.....	2		
	SH 106181 J	Setscrew.....	1		LHD
	WA 106001 J	Plain washer.....	1		LHD
17	EAC 3215 1	Hose clip.....	4		
	CAC 8772	Hose clip.....	4		
	JLM 1562	Switch-accumulator, charging.....	1		
	JLM 1563	Switch-accumulator, low pressure warning.....	1		

G10AW25/8/88

11 06

VS 4591

MASTER INDEX

ENGINE	1.C
FLYWHEEL AND CLUTCH	1.F
GEARBOX AND PROPSHAFT	1.G
AXLES, SUSPENSION, DRIVE SHAFTS, WHEELS	1.I
STEERING	1.K
BRAKES AND BRAKE CONTROLS	1.L
FUEL, EXHAUST AND EMISSION SYSTEMS	1.M
COOLING, HEATING AND AIR CONDITIONING	2.C
ELECTRICAL, WASHERS-WIPERS, INSTRUMENTS	2.E
CHASSIS, SUBFRAMES, BODY SHELL, FITTINGS	2.J
FASCIA, TRIM, SEATS AND FIXINGS	3.C
ACCESSORIES AND PAINT	3.J
NUMERICAL INDEX	3.K

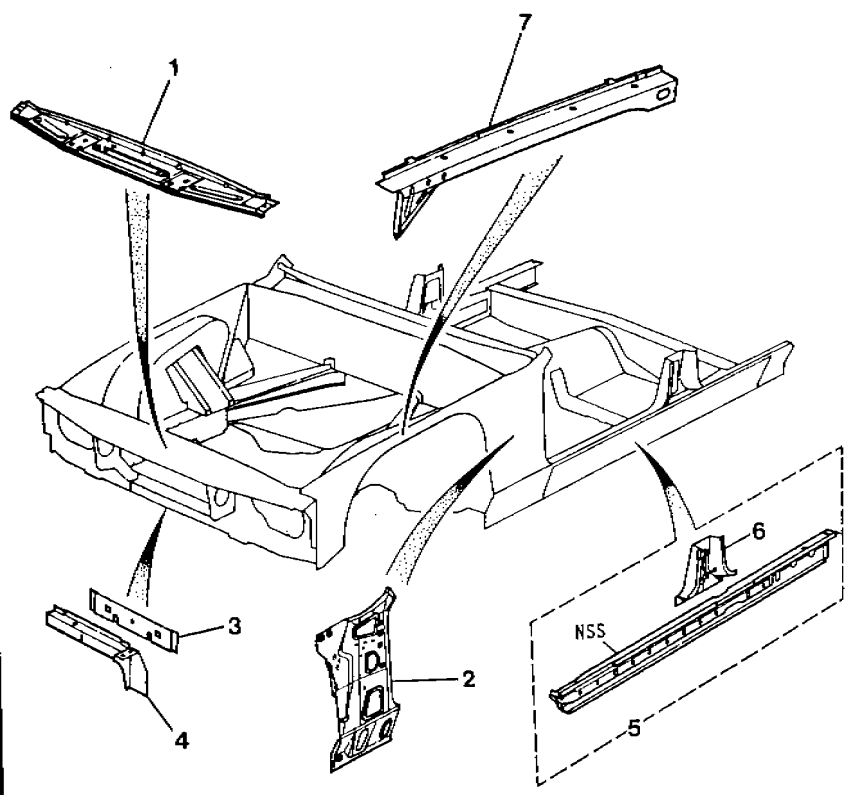
GROUP INDEX

ACCUMULATOR AND PIPES	L06
BRAKE BOOSTER & PEDAL HSG.	L04
BRAKE PIPES NON-A.B.S	L09
BRAKE PIPES-A.B.S	L10
BRAKE PIPES-REAR	L11
FLUID RESERVOIR & HOSES	L07
MODULATOR UNIT	L08
FRONT BRAKE DISC AND CALIPER	L02
LINED PAD KIT (AXLE SET)	L02
HANDBRAKE ASSY	L12
MASTER CYLINDER AND POWER SERVO	L05
REAR CALIPER AND DISCS	L03
BRAKE PADS-AXLE SET	L03
LINED SHOES-AXLE SET	L03

illus Part Number 123456 Description Quantity Change Point Remarks

BODYSHELL-continued.
VALANCE AND INNER SIDE PANELS

1	CAP 75	Panel-bonnet hinge platform.....	1		
2	CAP 698	Dash side assy-RH.....	1		
	CAP 699	Dash side assy-LH.....	1		
3	CAP 131	Closing panel.....	1		
4	CAP 792	Crossmember.....	1		
5	CAP 530	Inner sill assembly-RH.....	1		
	CAP 531	Inner sill assembly-LH.....	1		
	BAC 4304	Sealing plug - sill.....	A/R		
6	CAP 66	Lower B-C post-inner-RH.....	1		
	CAP 67	Lower B-C post-inner-LH.....	1		
7	CAP 716	Reinforcement-valance-RH.....	1		
	CAP 717	Reinforcement-valance-LH.....	1		



VS4361

2 J 04

VS 4361

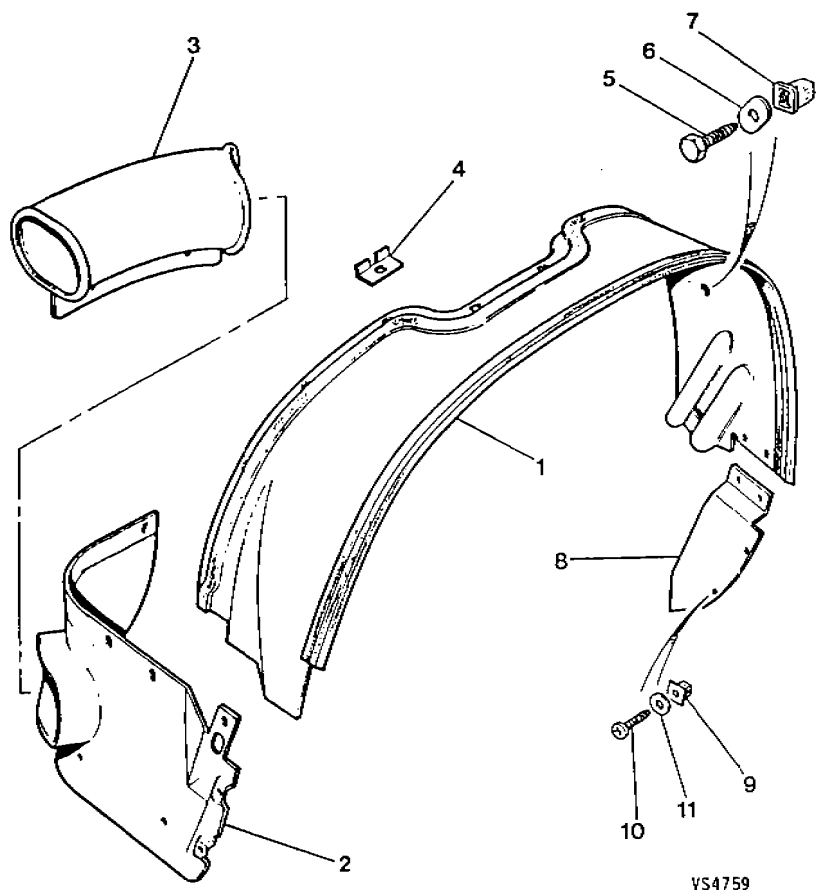
MASTER INDEX

ENGINE.....	1.C
FLYWHEEL AND CLUTCH.....	1.F
GEARBOX AND PROPSHAFT.....	1.G
AXLES, SUSPENSION, DRIVE SHAFTS, WHEELS.....	1.I
STEERING.....	1.K
BRAKES AND BRAKE CONTROLS.....	1.L
FUEL, EXHAUST AND EMISSION SYSTEMS.....	1.M
COOLING, HEATING AND AIR CONDITIONING.....	2.C
ELECTRICAL, WASHERS-WIPERS, INSTRUMENTS.....	2.E
CHASSIS, SUBFRAMES, BODYSHELL, FITTINGS.....	2.J
FASCIA, TRIM, SEATS AND FIXINGS.....	3.C
ACCESSORIES AND PAINT.....	3.J
NUMERICAL INDEX.....	3.K

GROUP INDEX

BACKLIGHT & FINISHERS.....	L04
BODYSHELL.....	J02
CRUSH TUBE ASSEMBLY.....	J03
VALANCE AND INNER SIDE PANELS.....	J04
BONNET CATCH AND STRIKER.....	K11
BONNET, WINGS, DOORS AND BOOT LID.....	J12
DOOR HANDLES AND REMOTE CONTROLS.....	J13
DOOR HINGES.....	J13
DOOR LOCKS-FRONT AND REAR.....	L13
DOOR REGULATORS.....	L14
DRIP MOULDINGS & FINISHERS.....	K13
ENSEMBLE DE COTE DE CAISSE.....	J05
ENSEMBLE DE COTE DE CAISSE.....	J06
BODYSIDE PANELS.....	J07
REAR DECKING PANEL.....	J09
REAR END UNDERFRAME.....	J10
REAR WING-INNER AND OUTER.....	J11
ROOF ASSEMBLY AND WINDSHIELD.....	J08
FRONT DOOR GLASS & FRAME.....	L06
FRONT SPOILER.....	J16

FRT BUMPER-WITHOUT EA STRUT.....	K02
FRT BUMPERS-WITH EA STRUT.....	K04
GEARBOX COVERS.....	L15
RADIATOR GRILLE.....	J17
REAR BUMPER WITHOUT EA STRUT.....	K06
REAR BUMPER WITH EA STRUT.....	K08
REAR DOOR GLASS, FRAMES & SEALS.....	L08
REAR VIEW MIRRORS.....	K16
SEALS AND BONNET LINER.....	K10
SIDE AND COACHLINES.....	K14
SIXTH LIGHT.....	L10
SLIDING ROOF.....	L18
TREAD PLATES.....	L16
TRUNK FIN. & WING MOTIFS.....	K12
TRUNK LID LOCK ASSEMBLY.....	L17
WHEEL ARCH LINER & BAFFLES-FRONT.....	J14
WINDSCREEN & FINISHERS.....	L02



Illus	Part Number	123456	Description	Quantity	Change Point	Remarks
WHEEL ARCH LINER & BAFFLES-FRONT.						
LINER-WHEELARCH						
	BCC 2710		RH.....	NLA		Use BDC 7044
	BDC 7044		RH.....	1		
	BCC 2711		LH.....	NLA		Use BDC 7045
	BDC 7045		LH.....	1		
BAFFLE-WHEELARCH						
	BBC 2960		RH.....	NLA		Use BDC 7046
	BDC 7046		RH.....	1		
	BBC 2961		LH.....	NLA		Use BDC 7047
	BDC 7047		LH.....	1		
	BBC 4938		Duct brake cooling-RH.....	1		
	BBC 4939		Duct brake cooling-LH.....	1		
3	BCC 2446		Plate location wheelarch.....	4		
4	AZ 614065 J		Screw self tapping.....	24		
5	BD 542 12		Washer.....	24		
6	BD 48970		Nut captive.....	24		
7	BBC 4540		Extension frt wheelarch-RH.....	1		
8	BBC 4541		Extension frt wheelarch-LH.....	1		
9	CZH 0619 J		Nut-captive.....	8		
10	AB 606055 J		Screw.....	8		
11	WA 105005 J		Washer plain.....	8		

2 J 14

VS4759

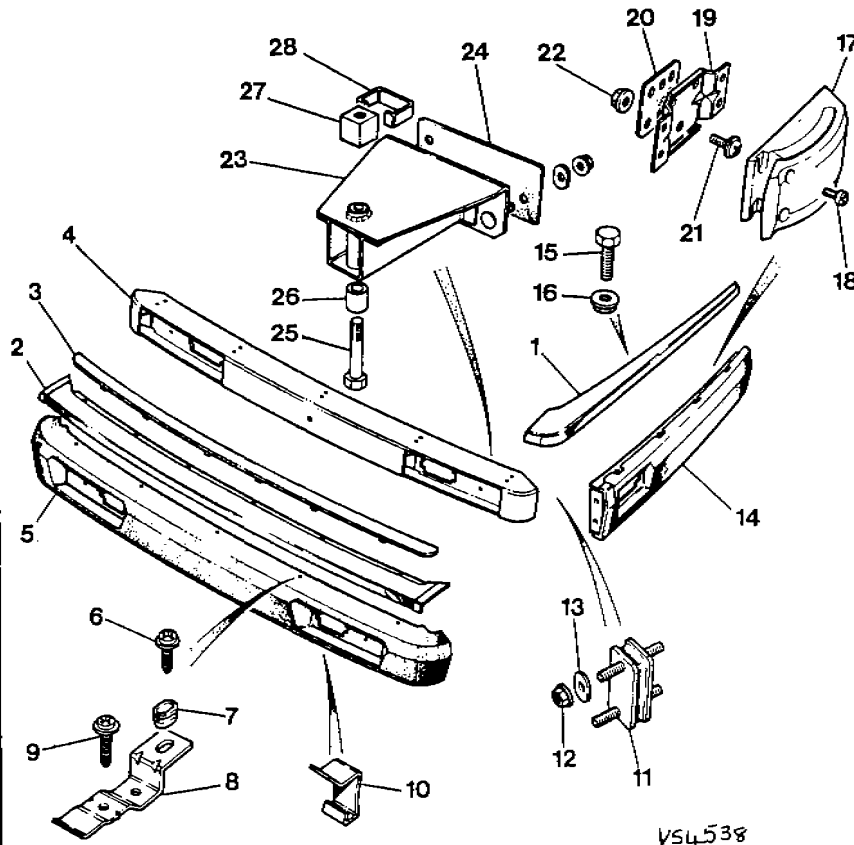
MASTER INDEX

ENGINE.....	1.C
FLYWHEEL AND CLUTCH.....	1.F
GEARBOX AND PROPSHAFT.....	1.G
AXLES, SUSPENSION, DRIVE SHAFTS, WHEELS.....	1.I
STEERING.....	1.K
BRAKES AND BRAKE CONTROLS.....	1.L
FUEL, EXHAUST AND EMISSION SYSTEMS.....	1.M
COOLING, HEATING AND AIR CONDITIONING.....	2.C
ELECTRICAL, WASHERS-WIPERS, INSTRUMENTS.....	2.E
CHASSIS, SUBFRAMES, BODYSHELL, FITTINGS.....	2.J
FASCIA, TRIM, SEATS AND FIXINGS.....	3.C
ACCESSORIES AND PAINT.....	3.J
NUMERICAL INDEX.....	3.K

GROUP INDEX

BACKLIGHT & FINISHERS.....	L04
BODYSHELL.....	J02
CRUSH TUBE ASSEMBLY.....	J03
VALANCE AND INNER SIDE PANELS.....	J04
BONNET CATCH AND STRIKER.....	K11
BONNET, WINGS, DOORS AND BOOT LID.....	J12
DOOR HANDLES AND REMOTE CONTROLS.....	L11
DOOR HINGES.....	J13
DOOR LOCKS-FRONT AND REAR.....	L13
DOOR REGULATORS.....	L14
DRIP MOULDINGS & FINISHERS.....	K13
ENSEMBLE DE COTE DE CAISSE.....	J05
ENSEMBLE DE COTE DE CAISSE.....	J06
BODYSIDE PANELS.....	J07
REAR DECKING PANEL.....	J09
REAR END UNDERFRAME.....	J10
REAR WING-INNER AND OUTER.....	J11
ROOF ASSEMBLY AND WINDSHIELD.....	J08
FRONT DOOR GLASS & FRAME.....	L06
FRONT SPOILER.....	J16

FRT BUMPER-WITHOUT EA STRUT.....	K02
FRT BUMPERS-WITH EA STRUT.....	K04
GEARBOX COVERS.....	L15
RADIATOR GRILLE.....	J17
REAR BUMPER WITHOUT EA STRUT.....	K06
REAR BUMPER-WITH EA STRUT.....	K08
REAR DOOR GLASS, FRAMES & SEALS.....	L08
REAR VIEW MIRRORS.....	K16
SEALS AND BONNET LINER.....	K10
SIDE AND COACHLINES.....	K14
SIXTH LIGHT.....	L10
SLIDING ROOF.....	L18
TREAD PLATES.....	L16
TRUNK FIN. & WING MOTIFS.....	K12
TRUNK LID LOCK ASSEMBLY.....	L17
WHEEL ARCH LINER & BAFFLES-FRONT.....	J14
WINDSCREEN & FINISHERS.....	L02



Ilus	Part Number
17	BBC 7088
18	AGU 1966
19	BCC 5388
	BDC 4774
	BCC 5389
	BDC 4775
20	BAC 6484
21	AGU 2020
22	FN 108041 J
23	BCC 5396
	BDC 4772
24	BCC 5399
25	BAC 6543
26	BAC 6544
27	BAC 5643
28	BBC 4199
	AGU 2371

123456	Description	Quantity	Change Point	Remarks
REAR BUMPER-WITHOUT E.A. STRUT-continued				
	Guide Block-Side Bumper Beams.....	2		
	Screw-Guide Block to Mtg Brkt.....	8		
	Bracket-Guide Block Mounting.....	NLA		Use BDC 4774
	Bracket-Guide Block Mounting.....	2		
	Location Plate-Guide Block to Brkt.....	NLA		Use BDC 4775
	Location Plate-Guide Block to Brkt.....	2		
	Gasket-Bracket to Body.....	2		
	Screw-Bracket to Body.....	6		
	Nut-Bracket to Body.....	6		
	Bracket-Bumper Beam Mounting.....	NLA		Use BDC 4772
	Bracket-Bumper Beam Mounting.....	2		
	Gasket-Bracket to Body.....	2		
	Bolt-Bumper Beam to Bracket.....	2		
	Spacer-Bumper Beam to Bracket.....	2		
	Nut-Bumper Beam to Bracket.....	2		
	Clip-Nut (Beam to Bracket).....	2		
	Screw-Location Plate to Guide Block Mounting Bracket.....	4		

2K 07

VS4538

VS4538

MASTER INDEX

ENGINE.....	1.C
FLYWHEEL AND CLUTCH.....	1.F
GEARBOX AND PROPSHAFT.....	1.G
AXLES, SUSPENSION, DRIVE SHAFTS, WHEELS.....	1.J
STEERING.....	1.K
BRAKES AND BRAKE CONTROLS.....	1.L
FUEL, EXHAUST AND EMISSION SYSTEMS.....	1.M
COOLING, HEATING AND AIR CONDITIONING.....	2.C
ELECTRICAL, WASHERS-WIPERS, INSTRUMENTS.....	2.E
CHASSIS, SUBFRAMES, BODYSHELL, FITTINGS.....	2.J
FASCIA, TRIM, SEATS AND FIXINGS.....	3.C
ACCESSORIES AND PAINT.....	3.J
NUMERICAL INDEX.....	3.K

GROUP INDEX

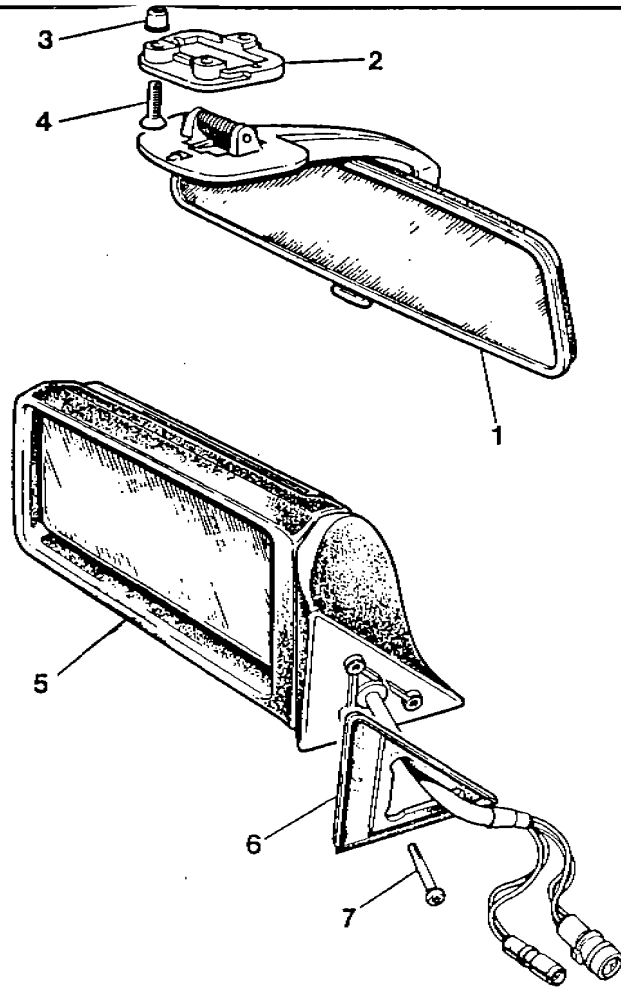
BACKLIGHT & FINISHERS.....	L04
BODYSHELL.....	J02
CRUSH TUBE ASSEMBLY.....	J03
VALANCE AND INNER SIDE PANELS.....	J04
BONNET CATCH AND STRIKER.....	K11
BONNET, WINGS, DOORS AND BOOT LID.....	J12
DOOR HANDLES AND REMOTE CONTROLS.....	L11
DOOR HINGES.....	J13
DOOR LOCKS-FRONT AND REAR.....	L13
DOOR REGULATORS.....	L14
DRIP MOULDINGS & FINISHERS.....	K13
ENSEMBLE DE COTE DE CAISSE.....	J05
ENSEMBLE DE COTE DE CAISSE.....	J06
BODYSIDE PANELS.....	J07
REAR DECKING PANEL.....	J09
REAR END UNDERFRAME.....	J10
REAR WING-INNER AND OUTER.....	J11
ROOF ASSEMBLY AND WINDSHIELD.....	J08
FRONT DOOR GLASS & FRAME.....	L06
FRONT SPOILER.....	J16

FRT BUMPER-WITHOUT EA STRUT.....	K02
FRT BUMPERS-WITH EA STRUT.....	K04
GEARBOX COVERS.....	L15
RADIATOR GRILLE.....	J17
REAR BUMPER-WITHOUT EA STRUT.....	K06
REAR BUMPER-WITH EA STRUT.....	K08
REAR DOOR GLASS, FRAMES & SEALS.....	L08
REAR VIEW MIRRORS.....	K16
SEALS AND BONNET LINER.....	K10
SIDE AND COACHLINES.....	K14
SIXTH LIGHT.....	L10
SLIDING ROOF.....	L18
TREAD PLATES.....	L16
TRUNK FIN. & WING MOTIFS.....	K12
TRUNK LID LOCK ASSEMBLY.....	L17
WHEEL ARCH LINER & BAFFLES-FRONT.....	J14
WINDSCREEN & FINISHERS.....	L02

JAGUAR 2.9 AND 3.6 LITRE SALOONS

K17
fiche 2

CHASSIS, SUBFRAMES, BODY SHELL, FITTINGS



Illus	Part Number	123456	Description	Quantity	Change Point	Remarks
REAR VIEW MIRRORS						
MIRROR EXTERNAL - LHD EXCEPT USA/CANADA/SWEDEN						
	5	BCC 4218	RH.....	NLA		Use BDC 3836
		BDC 3836	RH.....	NLA		Use BDC 3840
		BCC 4219	LH.....	NLA		Use BDC 3837
		BDC 3837	LH.....	NLA		Use BDC 3841
		BBC 8514	RH-Heated.....	NLA		Use BCC 4222
		BCC 4222	RH-Heated.....	NLA		Use BDC 3840
		BDC 3840	RH-Heated.....	1		
		BBC 8516	LH-Heated.....	NLA		Use BCC 4223
		BCC 4223	LH-Heated.....	NLA		Use BDC 3841
		BDC 3841	LH-Heated.....	1		
MIRROR EXTERNAL-LHD USA/CDN						
		BBC 8514	RH-Heated.....	NLA		Use BDC 3838
		BDC 3838	RH-Heated.....	1		
		BCC 4221	LH-Heated.....	NLA		Use BDC 3839
		BDC 3839	LH-Heated.....	1		
MIRROR EXTERNAL-SWEDEN ONLY						
		BDC 4886	RH-Heated.....	1		
		BDC 4887	LH-Heated.....	1		
	6	BAC 6836	Gasket RH.....	1		
		BAC 6837	Gasket LH.....	1		
FIXINGS SCREWS-MIRROR TO FRAME						
	7	BD 48956	Screw (pan head).....	3		
	7	AGU 2050	Screw (plastic thread).....	3		
MIRROR GLASS-REPLACEMENT						
		JLM 1429	Glass-flat non-heated.....	2		
		JLM 1430	Glass-convex-non heated.....	2		R1400 Radius AUS/NZ RHD USA/CDN
		JLM 1577	Glass-Flat Heated.....	2		R1400 Curve ROW RHD not AUS/NZ ROW LHD not USA/CDN
		JLM 1578	Glass-Curved Heated.....	2		R1000 Radius JAP R1400 Radius USA/CDN only
		JLM 1579	Glass-Curved Heated.....	2		
		JLM 1580	Glass-Curved Heated.....	2		

2K 17

VS4677

VS4677

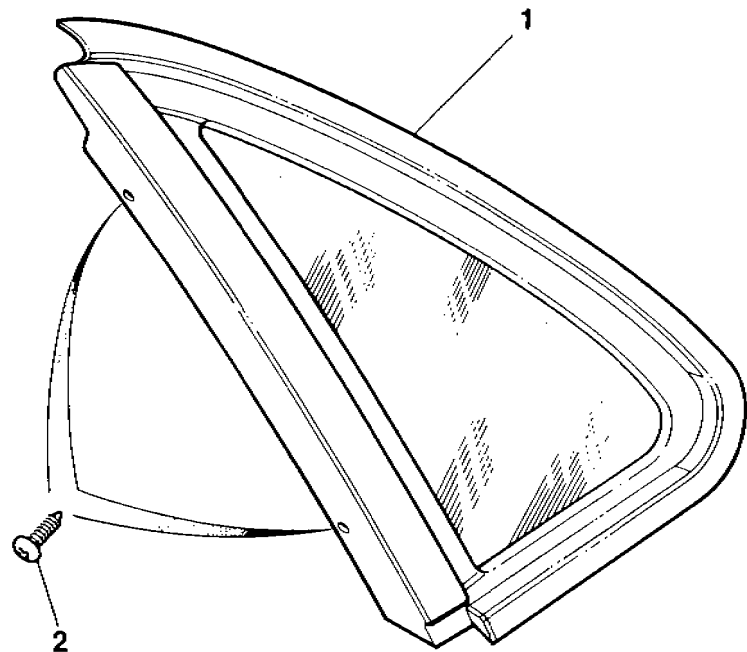
MASTER INDEX

ENGINE.....	1.C
FLYWHEEL AND CLUTCH.....	1.F
GEARBOX AND PROPSHAFT.....	1.G
AXLES, SUSPENSION, DRIVE SHAFTS, WHEELS.....	1.I
STEERING.....	1.K
BRAKES AND BRAKE CONTROLS.....	1.L
FUEL, EXHAUST AND EMISSION SYSTEMS.....	1.M
COOLING, HEATING AND AIR CONDITIONING.....	2.C
ELECTRICAL, WASHERS-WIPERS, INSTRUMENTS.....	2.E
CHASSIS, SUBFRAMES, BODY SHELL, FITTINGS.....	2.J
FASCIA, TRIM, SEATS AND FIXINGS.....	3.C
ACCESSORIES AND PAINT.....	3.J
NUMERICAL INDEX.....	3.K

GROUP INDEX

BACKLIGHT & FINISHERS.....	L04
BODY SHELL.....	J02
CRUSH TUBE ASSEMBLY.....	J03
VALANCE AND INNER SIDE PANELS.....	J04
BONNET CATCH AND STRIKER.....	K11
BONNET, WINGS, DOORS AND BOOT LID.....	J12
DOOR HANDLES AND REMOTE CONTROLS.....	L11
DOOR HINGES.....	J13
DOOR LOCKS-FRONT AND REAR.....	L13
DOOR REGULATORS.....	L14
DRIP MOULDINGS & FINISHERS.....	K13
ENSEMBLE DE COTE DE CAISSE.....	J05
ENSEMBLE DE COTE DE CAISSE.....	J06
BODYSIDE PANELS.....	J07
REAR DECKING PANEL.....	J09
REAR END UNDERFRAME.....	J10
REAR WING-INNER AND OUTER.....	J11
ROOF ASSEMBLY AND WINDSHIELD.....	J08
FRONT DOOR GLASS & FRAME.....	L06
FRONT SPOILER.....	J16

FRT BUMPER-WITHOUT EA STRUT.....	K02
FRT BUMPERS-WITH EA STRUT.....	K04
GEARBOX COVERS.....	L15
RADIATOR GRILLE.....	J17
REAR BUMPER WITHOUT EA STRUT.....	K06
REAR BUMPER-WITH EA STRUT.....	K08
REAR DOOR GLASS, FRAMES & SEALS.....	L08
REAR VIEW MIRRORS.....	K16
SEALS AND BONNET LINER.....	K10
SIDE AND COACHLINES.....	K14
SIXTH LIGHT.....	L10
SLIDING ROOF.....	L18
TREAD PLATES.....	L16
TRUNK FIN. & WING MOTIFS.....	K12
TRUNK LID LOCK ASSEMBLY.....	L17
WHEEL ARCH LINER & BAFFLES-FRONT.....	J14
WINDSCREEN & FINISHERS.....	L02



Illus	Part Number	Description	Quantity	Change Point	Remarks
		SIXTH LIGHT			
		SIXTH LIGHT ASSY-MILD STEEL- BLACK FINISH			
	BCC 4866	RH-secursiv.....	NLA		Use BDC 5060 Alternatives Use BDC 5058
	BDC 5060	RH-secursiv.....	1		
	BCC 4870	RH-triplex.....	NLA		
	BDC 5058	RH-Triplex.....	1		
1	BCC 4867	LH-secursiv.....	NLA		Use BDC 5061 Alternatives Use BDC 5059
	BDC 5061	LH-secursiv.....	1		
1	BCC 4871	LH-triplex.....	NLA		
	BDC 5059	LH-triplex.....	1		
		SIXTH LIGHT ASSY-STAINLESS STEEL			
	BCC 4868	RH-secursiv.....	NLA		Use BDC 5326 Alternatives Use BDC 5324
	BDC 5326	RH-secursiv.....	1		
	BCC 4872	RH-triplex.....	NLA		
	BDC 5324	RH-triplex.....	1		
1	BCC 4869	LH-secursiv.....	NLA		Use BDC 5327 Alternatives Use BDC 5325
	BDC 5327	LH-secursiv.....	1		
1	BCC 4873	LH-triplex.....	NLA		
	BDC 5325	LH-triplex.....	1		
2	BD 48973	S.T. screw no.8 x 10mm.....	2		
	JLM 1671	Betaseal sealant kit.....	1		
	JLM 1582	Cartridge-sealant(150cc).....	A/R		
	BCC 7496	Sealing strip-sixth-light (4.5m length).....	A/R		

L58.04RG20/7/88

21 10

VS4761

VS4761

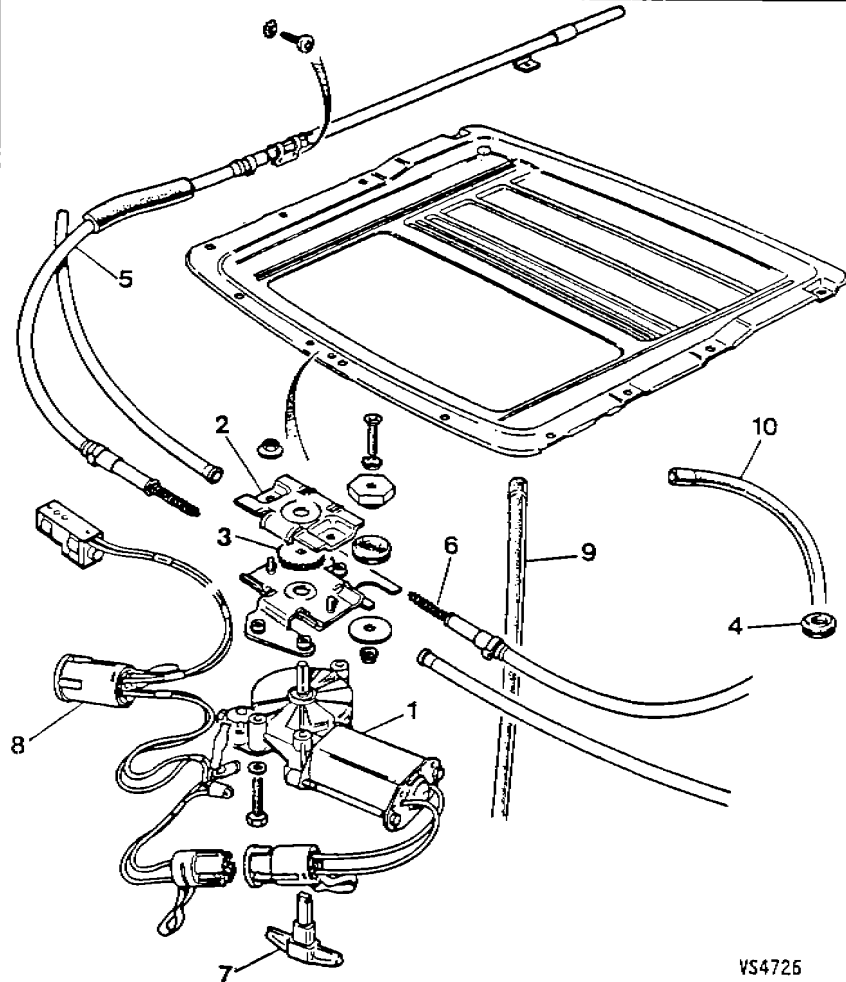
MASTER INDEX

ENGINE.....	1.C
FLYWHEEL AND CLUTCH.....	1.F
GEARBOX AND PROPSHAFT.....	1.G
AXLES, SUSPENSION, DRIVE SHAFTS, WHEELS.....	1.J
STEERING.....	1.K
BRAKES AND BRAKE CONTROLS.....	1.L
FUEL, EXHAUST AND EMISSION SYSTEMS.....	1.M
COOLING, HEATING AND AIR CONDITIONING.....	2.C
ELECTRICAL, WASHERS-WIPERS, INSTRUMENTS.....	2.E
CHASSIS, SUBFRAMES, BODYSHELL, FITTINGS.....	2.J
FASCIA, TRIM, SEATS AND FIXINGS.....	3.C
ACCESSORIES AND PAINT.....	3.J
NUMERICAL INDEX.....	3.K

GROUP INDEX

BACKLIGHT & FINISHERS.....	L04
BODYSHELL.....	J02
CRUSH TUBE ASSEMBLY.....	J03
VALANCE AND INNER SIDE PANELS.....	J04
BONNET CATCH AND STRIKER.....	K11
BONNET, WINGS, DOORS AND BOOT LID.....	J12
DOOR HANDLES AND REMOTE CONTROLS.....	L11
DOOR HINGES.....	J13
DOOR LOCKS-FRONT AND REAR.....	L13
DOOR REGULATORS.....	L14
DRIP MOULDINGS & FINISHERS.....	K13
ENSEMBLE DE COTE DE CAISSE.....	J05
ENSEMBLE DE COTE DE CAISSE.....	J06
BODYSIDE PANELS.....	J07
REAR DECKING PANEL.....	J09
REAR END UNDERFRAME.....	J10
REAR WING-INNER AND OUTER.....	J11
ROOF ASSEMBLY AND WINDSHIELD.....	J08
FRONT DOOR GLASS & FRAME.....	L06
FRONT SPOILER.....	J16

FRT BUMPER-WITHOUT EA STRUT.....	K02
FRT BUMPERS-WITH EA STRUT.....	K04
GEARBOX COVERS.....	L15
RADIATOR GRILLE.....	J17
REAR BUMPER WITHOUT EA STRUT.....	K06
REAR BUMPER-WITH EA STRUT.....	K08
REAR DOOR GLASS, FRAMES & SEALS.....	L08
REAR VIEW MIRRORS.....	K16
SEALS AND BONNET LINER.....	K10
SIDE AND COACHLINES.....	K14
SIXTH LIGHT.....	L10
SLIDING ROOF.....	L18
TREAD PLATES.....	L16
TRUNK FIN. & WING MOTIFS.....	K12
TRUNK LID LOCK ASSEMBLY.....	L17
WHEEL ARCH LINER & BAFFLES-FRONT.....	J14
WINDSCREEN & FINISHERS.....	L02



Illus	Part Number	123456	Description	Quantity	Change Point	Remarks
			SLIDING ROOF-continued			
1	BBC 6499		Motor-sliding roof.....	NLA		Use JLM 1268
1	JLM 1268		Motor-Sliding Roof.....	1		
2	JLM 1269		Bracket-sliding roof motor.....	1		
3	JLM 1270		Gear-drive mechanism.....	1		
4	BAC 5300		Grommet-drain tube-rear.....	4		
5	BBC 6484		Drive cable assy-RH.....	1		
6	BBC 6485		Drive cable assy-LH.....	1		
7	BBC 5251		Key-manual override.....	1		
8	JLM 1267		Harness-comprising limiter-switch (first opening position).....	1		
9	BBC 3950		Drain tube-frt u/tray.....	1		
10	BBC 5604		Drain tube-rr u/tray.....	1		
	BBC 1555		Drain tube-frt-lower.....	NLA		Use BCC 9481
	BCC 9481		Drain Tube-frt-lower.....	1		
	C 46294		Tie-drain tubes.....	4		
	BDC 5969		Foam Sleeve-Drive Cable.....	1		

VS4726

VS4726

MASTER INDEX

ENGINE.....	1.C
FLYWHEEL AND CLUTCH.....	1.F
GEARBOX AND PROPSHAFT.....	1.G
AXLES, SUSPENSION, DRIVE SHAFTS, WHEELS.....	1.I
STEERING.....	1.K
BRAKES AND BRAKE CONTROLS.....	1.L
FUEL, EXHAUST AND EMISSION SYSTEMS.....	1.M
COOLING, HEATING AND AIR CONDITIONING.....	2.C
ELECTRICAL, WASHERS, WIPERS, INSTRUMENTS.....	2.E
CHASSIS, SUBFRAMES, BODY SHELL, FITTINGS.....	2.J
FASCIA, TRIM, SEATS AND FIXINGS.....	3.C
ACCESSORIES AND PAINT.....	3.J
NUMERICAL INDEX.....	3.K

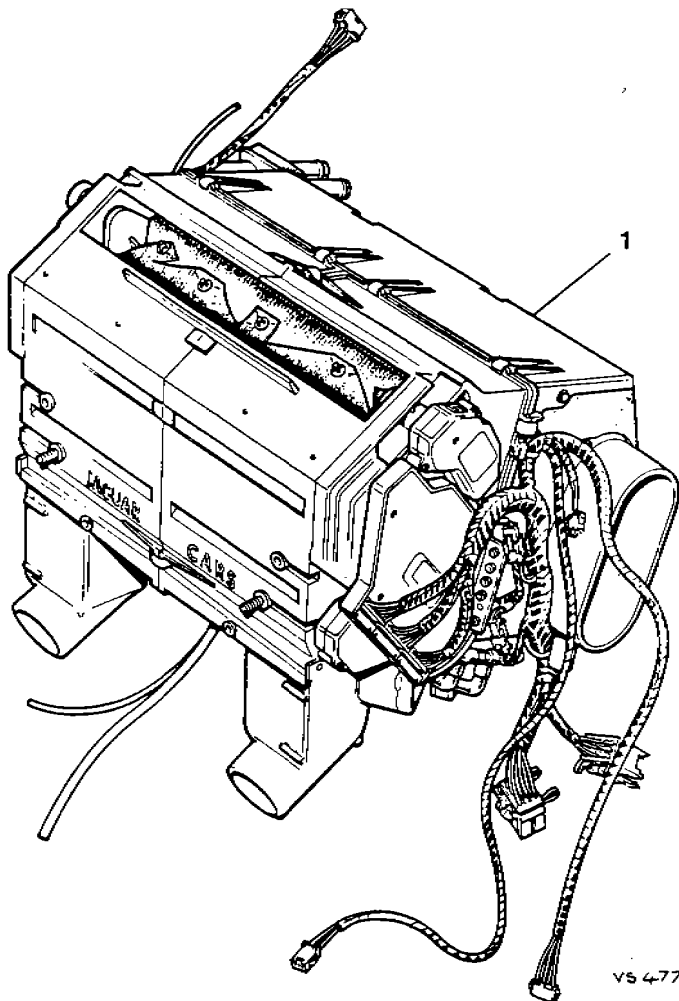
GROUP INDEX

BACKLIGHT & FINISHERS.....	L04
BODY SHELL.....	J02
CRUSH TUBE ASSEMBLY.....	J03
VALANCE AND INNER SIDE PANELS.....	J04
BONNET CATCH AND STRIKER.....	K11
BONNET, WINGS, DOORS AND BOOT LID.....	J12
DOOR HANDLES AND REMOTE CONTROLS.....	L11
DOOR HINGES.....	J13
DOOR LOCKS-FRONT AND REAR.....	L13
DOOR REGULATORS.....	L14
DRIP MOULDINGS & FINISHERS.....	K13
ENSEMBLE DE COTE DE CAISSE.....	J05
ENSEMBLE DE COTE DE CAISSE.....	J06
BODYSIDE PANELS.....	J07
REAR DECKING PANEL.....	J09
REAR END UNDERFRAME.....	J10
REAR WING-INNER AND OUTER.....	J11
ROOF ASSEMBLY AND WINDSHIELD.....	J08
FRONT DOOR GLASS & FRAME.....	L06
FRONT SPOILER.....	J16

FRT BUMPER-WITHOUT EA STRUT.....	K02
FRT BUMPERS-WITH EA STRUT.....	K04
GEARBOX COVERS.....	L15
RADIATOR GRILLE.....	J17
REAR BUMPER WITHOUT EA STRUT.....	K06
REAR BUMPER WITH EA STRUT.....	K08
REAR DOOR GLASS, FRAMES & SEALS.....	L08
REAR VIEW MIRRORS.....	K16
SEALS AND BONNET LINER.....	K10
SIDE AND COACHLINES.....	K14
SIXTH LIGHT.....	L10
SLIDING ROOF.....	L18
TREAD PLATES.....	L16
TRUNK FIN. & WING MOTIFS.....	K12
TRUNK LID LOCK ASSEMBLY.....	L17
WHEEL ARCH LINER & BAFFLES-FRONT.....	J14
WINDSCREEN & FINISHERS.....	L02

illus	Part Number	123456 Description	Quantity	Change Point	Remarks
		HEATER ASSEMBLY.			
1	CBC 2897	Heater assembly.....	1	Up to 1988 MY	Non Air Con
	CBC 5425	Heater assembly.....	1	From 1989 MY	
	JLM 1172	Heater harness.....	1		

J14DC19/7/88



VS4779

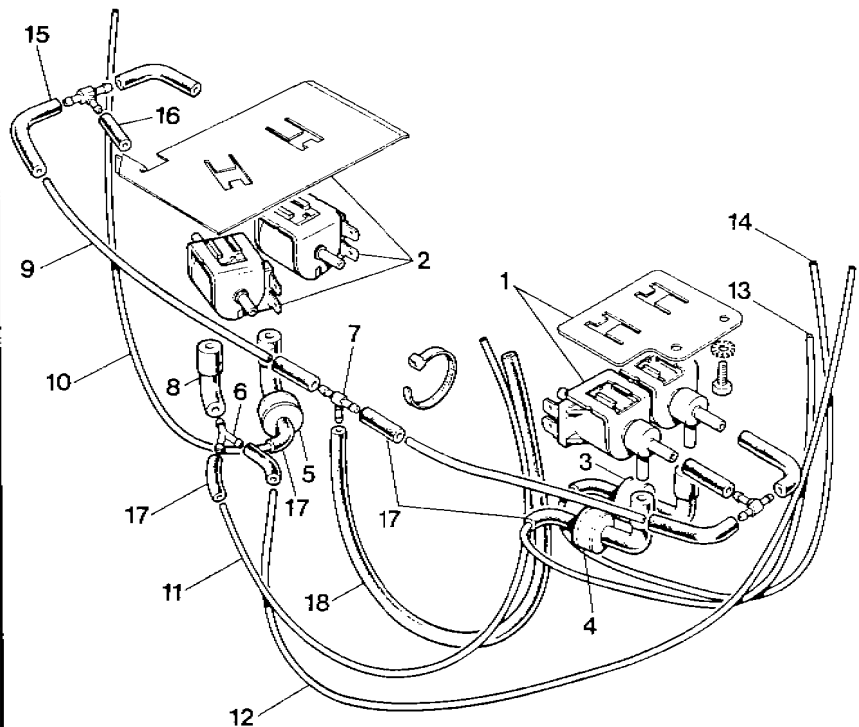
VS 4779

MASTER INDEX

ENGINE	1.C
FLYWHEEL AND CLUTCH	1.F
GEARBOX AND PROPSHAFT	1.G
AXLES, SUSPENSION, DRIVE SHAFTS, WHEELS	1.J
STEERING	1.K
BRAKES AND BRAKE CONTROLS	1.L
FUEL, EXHAUST AND EMISSION SYSTEMS	1.M
COOLING, HEATING AND AIR CONDITIONING	2.C
ELECTRICAL, WASHERS-WIPERS, INSTRUMENTS	2.E
CHASSIS, SUBFRAMES, BODY SHELL, FITTINGS	2.J
FASCIA, TRIM, SEATS AND FIXINGS	3.C
ACCESSORIES AND PAINT	3.J
NUMERICAL INDEX	3.K

GROUP INDEX

A/C BLOWER MOTORS	D02
AIR COND ASSEMBLY	C15
ELECTRONIC CONTROL UNIT	C17
EVAPORATOR ASSY	C18
AIR CONDITIONING COMPRESSOR	D07
ATMOSPHERIC RECOVERY BOTTLE	C05
CONDENSER AND DRIER	D04
CONSOLE CONTROL PANEL	C09
FAN AND DRIVE UNIT	C07
HEADER TANK ASSEMBLY	C04
HEATER ASSEMBLY	C10
ELECTRONIC CONTROL UNIT	C11
HEATER MATRIX	C12
HEATER BLOWER MOTORS	C13
HEATER VAC HOSES	C14
HEATER VALVE HOSES	C08
RADIATOR AND HOSES	C02
RADIATOR FAN COWL	C06
VACUUM HOSES AIR CON	D03
VACUUM TANKS & HOSES	D06



Illus	Part Number	123456	Description	Quantity	Change Point	Remarks
VACUUM HOSES AIR CON						
1	JLM 1125		Vacuum solenoid assy RH.....	1		
2	JLM 1126		Vacuum solenoid assy LH.....	1		
3	JLM 751		Restrictor red.....	1		
4	JLM 750		Restrictor blue.....	1		
5	JLM 749		Restrictor white.....	1		
6	JLM 1237		Vacuum 'Y' connector.....	1		
7	JLM 1236		Vacuum 'T' connector.....	3		
8	JLM 1238		Vacuum elbow.....	4		
VACUUM PIPE						
9	JLM 1231		White.....	1		
10	JLM 1234		Blue.....	1		
11	JLM 1235		Red.....	1		
12	JLM 1303		Yellow.....	1		
13	JLM 1232		Green.....	1		
14	JLM 1233		Black.....	1		
15	JLM 1357		Vacuum elbow.....	4		
16	JLM 1358		Rubber connection.....	2		
17	JLM 1133		Vacuum hose.....	7		
18	JLM 1127		Vacuum hose.....	1		

VS4545

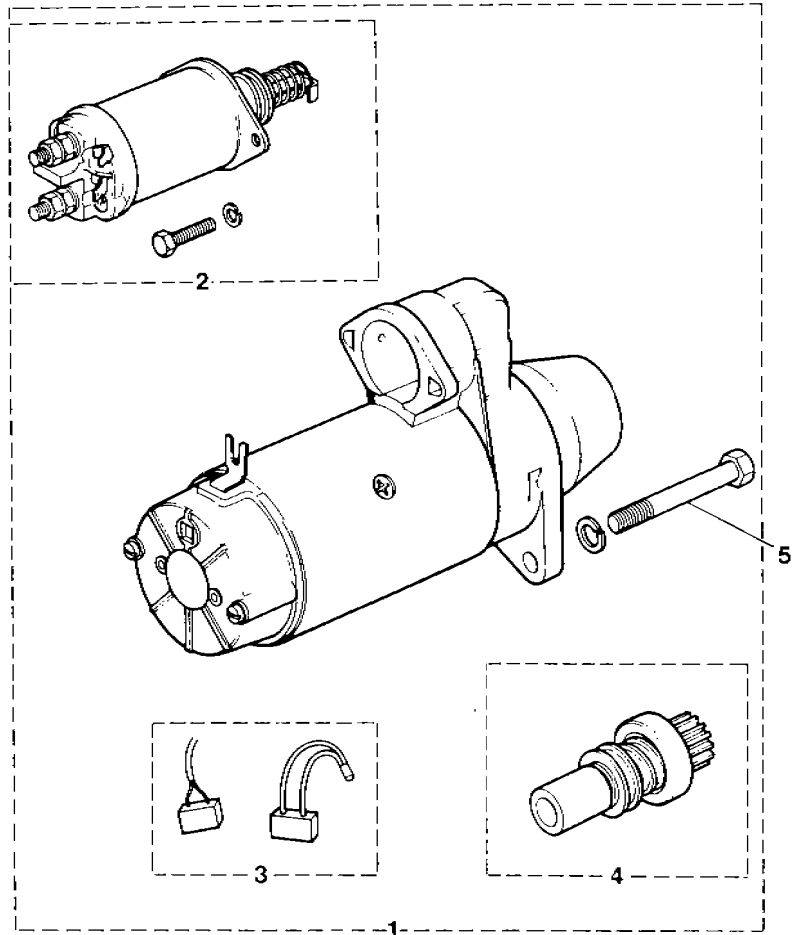
VS4545

MASTER INDEX

ENGINE.....	1.C
FLYWHEEL AND CLUTCH.....	1.F
GEARBOX AND PROPSHAFT.....	1.G
AXLES, SUSPENSION, DRIVE SHAFTS, WHEELS.....	1.I
STEERING.....	1.K
BRAKES AND BRAKE CONTROLS.....	1.L
FUEL, EXHAUST AND EMISSION SYSTEMS.....	1.M
COOLING, HEATING AND AIR CONDITIONING.....	2.C
ELECTRICAL, WASHERS-WIPERS, INSTRUMENTS.....	2.E
CHASSIS, SUBFRAMES, BODY SHELL, FITTINGS.....	2.J
FASCIA, TRIM, SEATS AND FIXINGS.....	3.C
ACCESSORIES AND PAINT.....	3.J
NUMERICAL INDEX.....	3.K

GROUP INDEX

A/C BLOWER MOTORS.....	D02
AIR COND ASSEMBLY.....	C15
ELECTRONIC CONTROL UNIT.....	C17
EVAPORATOR ASSY.....	C18
AIR CONDITIONING COMPRESSOR.....	D07
ATMOSPHERIC RECOVERY BOTTLE.....	C05
CONDENSER AND DRIER.....	D04
CONSOLE CONTROL PANEL.....	C09
FAN AND DRIVE UNIT.....	C07
HEADER TANK ASSEMBLY.....	C04
HEATER ASSEMBLY.....	C10
ELECTRONIC CONTROL UNIT.....	C11
HEATER MATRIX.....	C12
HEATER BLOWER MOTORS.....	C13
HEATER VAC HOSES.....	C14
HEATER VALVE HOSES.....	C08
RADIATOR AND HOSES.....	C02
RADIATOR FAN COWL.....	C06
VACUUM HOSES AIR CON.....	D03
VACUUM TANKS & HOSES.....	D06



VS3682

Illus	Part Number	123456	Description	Quantity	Change Point	Remarks
STARTER MOTOR.						
1	DBC 1939 N		STARTER MOTOR-NEW.....	1		Lucas type Up to Eng No. 101579-2.9 litre Up to Eng No. 108284-3.6 litre
1	DBC 1939 E		STARTER MOTOR-EXCHANGE.....	1		
2	JLM 159		Solenoid.....	1		
3	JLM 9654		Brush set.....	1		
4	JLM 160		Drive assembly.....	1		
5	AEU 1119		Bolt-washer headed.....	2		

VS 3682

MASTER INDEX

ENGINE.....	1.C
FLYWHEEL AND CLUTCH.....	1.F
GEARBOX AND PROPSHAFT.....	1.G
AXLES, SUSPENSION, DRIVE SHAFTS, WHEELS.....	1.I
STEERING.....	1.K
BRAKES AND BRAKE CONTROLS.....	1.L
FUEL, EXHAUST AND EMISSION SYSTEMS.....	1.M
COOLING, HEATING AND AIR CONDITIONING.....	2.C
ELECTRICAL, WASHERS-WIPERS, INSTRUMENTS.....	2.E
CHASSIS, SUBFRAMES, BODYSHELL, FITTINGS.....	2.J
FASCIA, TRIM, SEATS AND FIXINGS.....	3.C
ACCESSORIES AND PAINT.....	3.J
NUMERICAL INDEX.....	3.K

GROUP INDEX

ALTERNATOR & MTGS.....	E04
ANTI LOCK BRAKING SYSTEM.....	F11
BATTERY AND FIXINGS.....	H17
BONNET/BOOT LAMPS AND SWITCHES.....	F10
BULB FAILURE MODULE.....	F07
CONSOLE EQUIPMENT-CIGAR LIGHTER.....	G15
CONSOLE PANEL ASSEMBLY.....	G14
DISTRIBUTOR-2.9 LITRE.....	E06
DISTRIBUTOR-3.6 LITRE.....	E07
DOOR CONTROL PANELS.....	G16
ELECTRIC COOLING FAN.....	E14
ELECTRICAL AERIAL.....	H14
ELECTRONIC CONTROL UNITS.....	E10
EXHAUST TEMPERATURE WARNING.....	I14
FACIA SWITCH PANEL ASSEMBLY.....	G12
FOG REAR GUARD LAMP AND REFLEX.....	F06
FRONT FLASHER LAMPS.....	E18
FRONT FOG LAMPS.....	E15
FUSE BOX-INERTIA SWITCH & RELAYS.....	H11
H.T.LEADS AND SPARK PLUG.....	E08

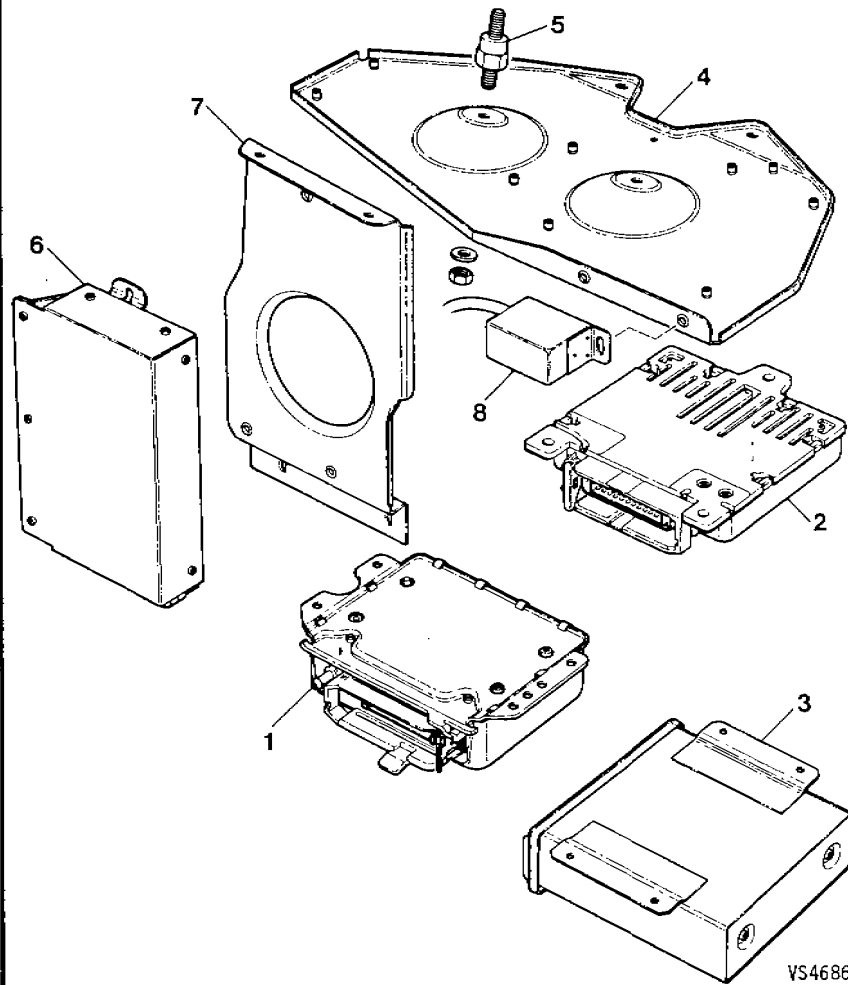
HARNESSES.....	I02
HEADLAMP ASSEMBLY-QUAD.....	E16
HEADLAMP ASSEMBLY-STYLED.....	E17
HEADLAMP WASH SYSTEM.....	G02
HIGH MOUNTED STOP LAMPS - USA/CDN ONLY.....	F14
HORNS AND MOUNTINGS - HELLA TYPE.....	G09
IGNITION COIL AND MODULE.....	E09
INFRA RED LOCKING SYSTEM.....	H09
INSTRUMENT DISPLAY MODULE.....	G04
INTERIOR LAMPS.....	F12
LAMBDA SENSOR.....	E13
MAP LIGHT AND ROOF CONSOLE.....	F11
MICROPROCESSORS & MOUNTINGS.....	E11
RADIO AND CASSETTE PLAYER.....	H15
REAR LAMP ASSEMBLY-DAIMLER/VDP.....	F04
REAR LAMP ASSEMBLY-JAGUAR.....	F03
RELAYS-ENGINE COMPARTMENT.....	H06
SEAT EQUIPMENT.....	H13
SIDE & NO. PLATE LAMP.....	F05
SIDEMARKER AND REFLEX LAMPS.....	F02
SPEED CONTROL EQUIPMENT.....	I12
SPEEDOMETER SENSOR.....	H02

STARTER MOTOR.....	E02
STEERING COLUMN LOCK & COVERS.....	G08
STEERING COLUMN SWITCHES.....	G07
TRANSDUCERS.....	G06
WINDSCREEN WASHER RESERVOIR.....	F17
WINDSCREEN WIPER MOTOR.....	F15
WIPER ARM AND BLADE.....	F16

JAGUAR 2.9 AND 3.6 LITRE SALOONS

E12
fiche 2

ELECTRICAL, WASHERS-WIPERS, INSTRUMENTS



Illus	Part Number	123456	Description	Quantity	Change Point	Remarks
7	DBC 2657		Mtg plate-microprocessor LH.....	NLA		Use DBC 3133
7	DBC 3133		Mtg plate-microprocessor LH.....	1		RHD
7	DBC 2656		Mtg plate-microprocessor RH.....	NLA		Use DBC 3132
7	DBC 3132		Mtg plate-microprocessor RH.....	1		LHD
8	DBC 2213		Module-timer-15 mins.....	NLA		Use DBC 3203
8	DBC 3203		Module-timer-15 mins.....	1		2.9 litre only
	AGU 2384		Screw-mtg plate.....	2		Fixings for
9	SE 105161 J		Screw-microprocessor mtg.....	3		DBC 3132 &
	SH 106121 J		Setscrew-mtg plate.....	2		DBC 3133
	BD 541 34		Washer-mtg plate.....	2		
	WA 106041 J		Washer-mtg plate.....	2		
	DAC 4027 3		Strip-edge protection-mtg plate.....	2		241mm long

K18.04NF23/9/88

2E 12

VS4686

VS4686

MASTER INDEX

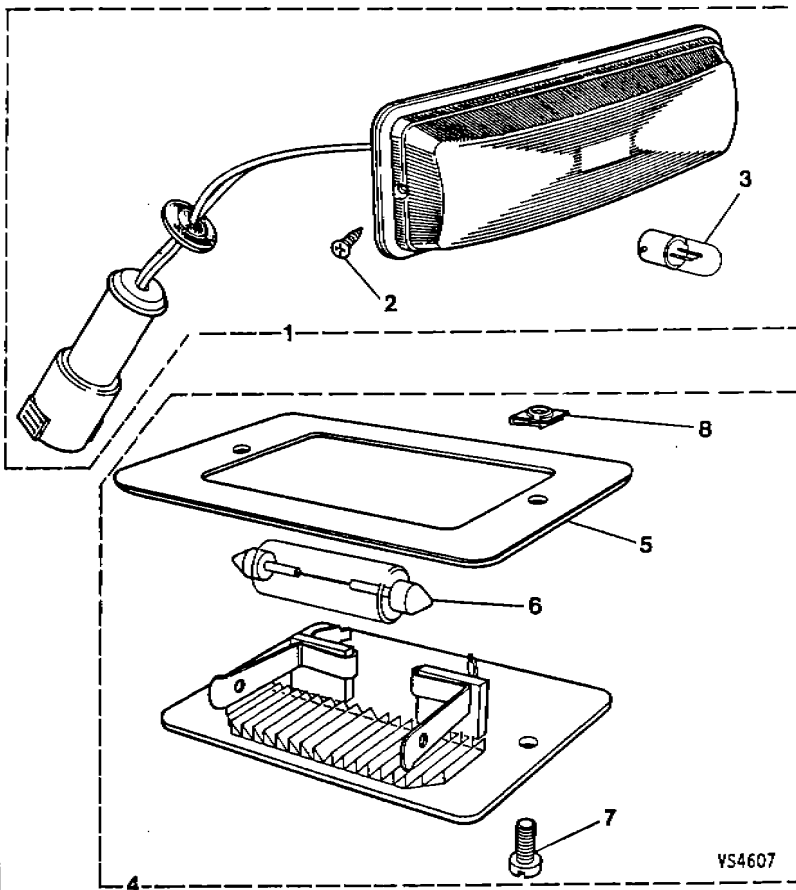
ENGINE	1.C
FLYWHEEL AND CLUTCH	1.F
GEARBOX AND PROPSHAFT	1.G
AXLES, SUSPENSION, DRIVE SHAFTS, WHEELS	1.I
STEERING	1.K
BRAKES AND BRAKE CONTROLS	1.L
FUEL, EXHAUST AND EMISSION SYSTEMS	1.M
COOLING, HEATING AND AIR CONDITIONING	2.C
ELECTRICAL, WASHERS-WIPERS, INSTRUMENTS	2.E
CHASSIS, SUBFRAMES, BODY SHELL, FITTINGS	2.J
FASCIA, TRIM, SEATS AND FIXINGS	3.C
ACCESSORIES AND PAINT	3.J
NUMERICAL INDEX	3.K

GROUP INDEX

ALTERNATOR & MTGS.	E04
ANTI LOCK BRAKING SYSTEM	I11
BATTERY AND FIXINGS	H17
BONNET/BOOT LAMPS AND SWITCHES	F10
BULB FAILURE MODULE	F07
CONSOLE EQUIPMENT-CIGAR LIGHTER	G15
CONSOLE PANEL ASSEMBLY	G14
DISTRIBUTOR-2.9 LITRE	E06
DISTRIBUTOR-3.6 LITRE	E07
DOOR CONTROL PANELS	G16
ELECTRIC COOLING FAN	E14
ELECTRICAL AERIAL	H14
ELECTRONIC CONTROL UNITS	E10
EXHAUST TEMPERATURE WARNING	I14
FACIA SWITCH PANEL ASSEMBLY	G12
FOG REAR GUARD LAMP AND REFLEX	F06
FRONT FLASHER LAMPS	E18
FRONT FOG LAMPS	E15
FUSE BOX-INERTIA SWITCH & RELAYS	H11
H.T.LEADS AND SPARK PLUG	E08

HARNESSES	I02
HEADLAMP ASSEMBLY-QUAD	E16
HEADLAMP ASSEMBLY-STYLED	E17
HEADLAMP WASH SYSTEM	G02
HIGH MOUNTED STOP LAMPS - USA/CDN ONLY	F14
HORNS AND MOUNTINGS - HELLA TYPE	G09
IGNITION COIL AND MODULE	E09
INFRA RED LOCKING SYSTEM	H09
INSTRUMENT DISPLAY MODULE	G04
INTERIOR LAMPS	F12
LAMBDA SENSOR	E13
MAP LIGHT AND ROOF CONSOLE	F11
MICROPROCESSORS & MOUNTINGS	E11
RADIO AND CASSETTE PLAYER	H15
REAR LAMP ASSEMBLY-DAIMLER/VDP	F04
REAR LAMP ASSEMBLY-JAGUAR	F03
RELAYS-ENGINE COMPARTMENT	H06
SEAT EQUIPMENT	H13
SIDE & NO. PLATE LAMP	F05
SIDEMARKER AND REFLEX LAMPS	F02
SPEED CONTROL EQUIPMENT	I12
SPEEDOMETER SENSOR	H02

STARTER MOTOR	E02
STEERING COLUMN LOCK & COVERS	G08
STEERING COLUMN SWITCHES	G07
TRANSDUCERS	G06
WINDSCREEN WASHER RESERVOIR	F17
WINDSCREEN WIPER MOTOR	F15
WIPER ARM AND BLADE	F16



Illus	Part Number	123456	Description	Quantity	Change Point	Remarks
			SIDE & NO. PLATE LAMP			
1	DBC 2383		FLASHER SIDE REPEATER.....	NLA		Use DBC 3323
1	DBC 3323		FLASHER SIDE REPEATER.....	2		Not USA/CDN
2	DBC 1031		Screw-lens retention.....	NLA		Use JLM 848
2	JLM 848		Screw-lens retention.....	4		
2	JLM 9589		Bulb.....	NLA		Use JLM 186
3	JLM 186		Bulb.....	2		
C	18066		Grommet.....	2		
4	DBC 2673		LAMP ASSY - NUMBER PLATE.....	2		Not Japan
4	DBC 2860		LAMP ASSY - NUMBER PLATE.....	2		Japan Only
5	DAC 8633		Gasket.....	1		
6	JLM 9590		Bulb.....	1		Not Japan
6	JLM 9591		Bulb.....	1		Japan Only
7	DBC 2322		Screw-silver finish.....	4		
7	AB 606045 J		Screw-black finish.....	4		
8	AJ 606021 J		Nut-Spring.....	4		

2F 05

VS4607

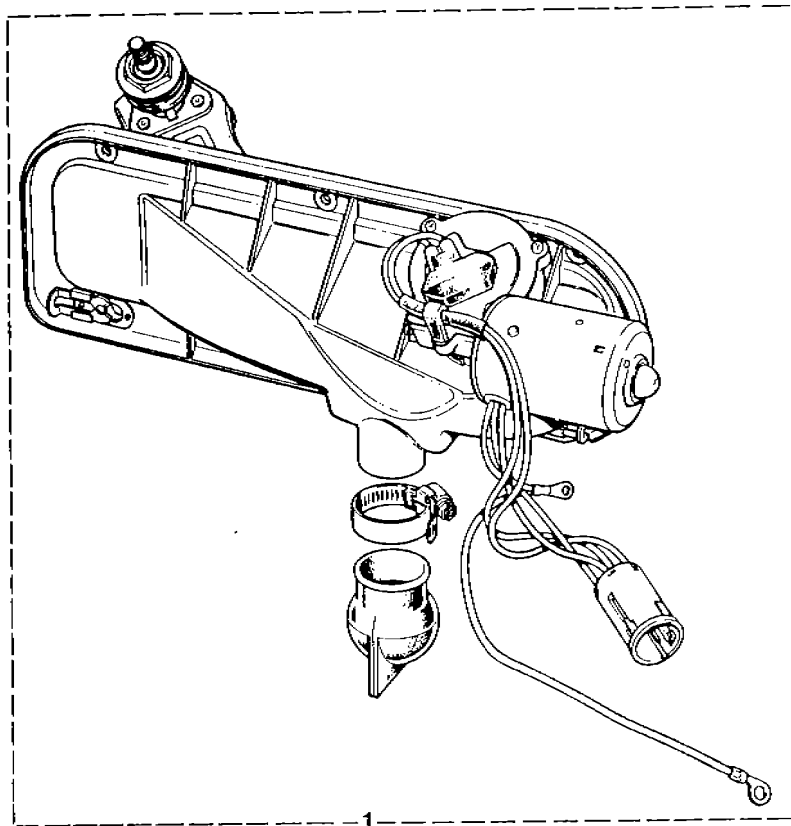
MASTER INDEX

ENGINE.....	1.C
FLYWHEEL AND CLUTCH.....	1.F
GEARBOX AND PROPSHAFT.....	1.G
AXLES, SUSPENSION, DRIVE SHAFTS, WHEELS.....	1.J
STEERING.....	1.K
BRAKES AND BRAKE CONTROLS.....	1.L
FUEL, EXHAUST AND EMISSION SYSTEMS.....	1.M
COOLING, HEATING AND AIR CONDITIONING.....	2.C
ELECTRICAL, WASHERS-WIPERS, INSTRUMENTS.....	2.E
CHASSIS, SUBFRAMES, BODY SHELL, FITTINGS.....	2.J
FASCIA, TRIM, SEATS AND FIXINGS.....	3.C
ACCESSORIES AND PAINT.....	3.J
NUMERICAL INDEX.....	3.K

GROUP INDEX

ALTERNATOR & MTGS.....	E04
ANTI LOCK BRAKING SYSTEM.....	I11
BATTERY AND FIXINGS.....	H17
BONNET/BOOT LAMPS AND SWITCHES.....	F10
BULB FAILURE MODULE.....	F07
CONSOLE EQUIPMENT-CIGAR LIGHTER.....	G15
CONSOLE PANEL ASSEMBLY.....	G14
DISTRIBUTOR-2.9 LITRE.....	E06
DISTRIBUTOR-3.6 LITRE.....	E07
DOOR CONTROL PANELS.....	G16
ELECTRIC COOLING FAN.....	E14
ELECTRICAL AERIAL.....	H14
ELECTRONIC CONTROL UNITS.....	E10
EXHAUST TEMPERATURE WARNING.....	I14
FACIA SWITCH PANEL ASSEMBLY.....	G12
FOG REAR GUARD LAMP AND REFLEX.....	F06
FRONT FLASHER LAMPS.....	E18
FRONT FOG LAMPS.....	E15
FUSE BOX-INERTIA SWITCH & RELAYS.....	H11
H.T. LEADS AND SPARK PLUG.....	E08

HARNESSES.....	I02
HEADLAMP ASSEMBLY-QUAD.....	E16
HEADLAMP ASSEMBLY-STYLED.....	E17
HEADLAMP WASH SYSTEM.....	G02
HIGH MOUNTED STOP LAMPS - USA/CDN ONLY.....	F14
HORNS AND MOUNTINGS - HELLA TYPE.....	G09
IGNITION COIL AND MODULE.....	E09
INFRA RED LOCKING SYSTEM.....	H09
INSTRUMENT DISPLAY MODULE.....	G04
INTERIOR LAMPS.....	F12
LAMBDA SENSOR.....	E13
MAP LIGHT AND ROOF CONSOLE.....	F11
MICROPROCESSORS & MOUNTINGS.....	E11
RADIO AND CASSETTE PLAYER.....	H15
REAR LAMP ASSEMBLY-DAIMLER/VDP.....	F04
REAR LAMP ASSEMBLY-JAGUAR.....	F03
RELAYS-ENGINE COMPARTMENT.....	H06
SEAT EQUIPMENT.....	H13
SIDE & NO. PLATE LAMP.....	F05
SIDEMARKER AND REFLEX LAMPS.....	F02
SPEED CONTROL EQUIPMENT.....	I12
SPEEDOMETER SENSOR.....	H02
STARTER MOTOR.....	E02
STEERING COLUMN LOCK & COVERS.....	G08
STEERING COLUMN SWITCHES.....	G07
TRANSDUCERS.....	G06
WINDSCREEN WASHER RESERVOIR.....	F17
WINDSCREEN WIPER MOTOR.....	F15
WIPER ARM AND BLADE.....	F16



Illus	Part Number	123456	Description	Quantity	Change Point	Remarks
WINDSCREEN WIPER MOTOR.						
1	DBC 2582		Wiper motor assembly-RHD.....	NLA		Use DBC 3144
1	DBC 3144		Wiper motor assembly-RHD.....	1		
1	DBC 2583		Wiper motor assembly-LHD.....	NLA		Use DBC 3145
1	DBC 3145		Wiper motor assembly-LHD.....	1		
2	DBC 3755		Valve-drain-plenum chamber.....	1		
3	C 34646 19		Mono clamp.....	1		
	DBC 2932		Gasket kit-wiper motor.....	1		
	DBC 1039		Bush.....	3		
	SH 108161 J		Bolt.....	1		Wiper motor earth to bulkhead
	WF 108001 J		Washer-star.....	2		
	FW 105 E		Washer.....	1		Harnesses to wiper motor mounting plate
	FS 106251 J		Screw.....	3		
	C 39377		Clip-cable.....	1		
	C 4999		Spacer-clip.....	1		
	ADU 9028		Tie strap.....	1		

2F 15

VS4561

VS4561

MASTER INDEX

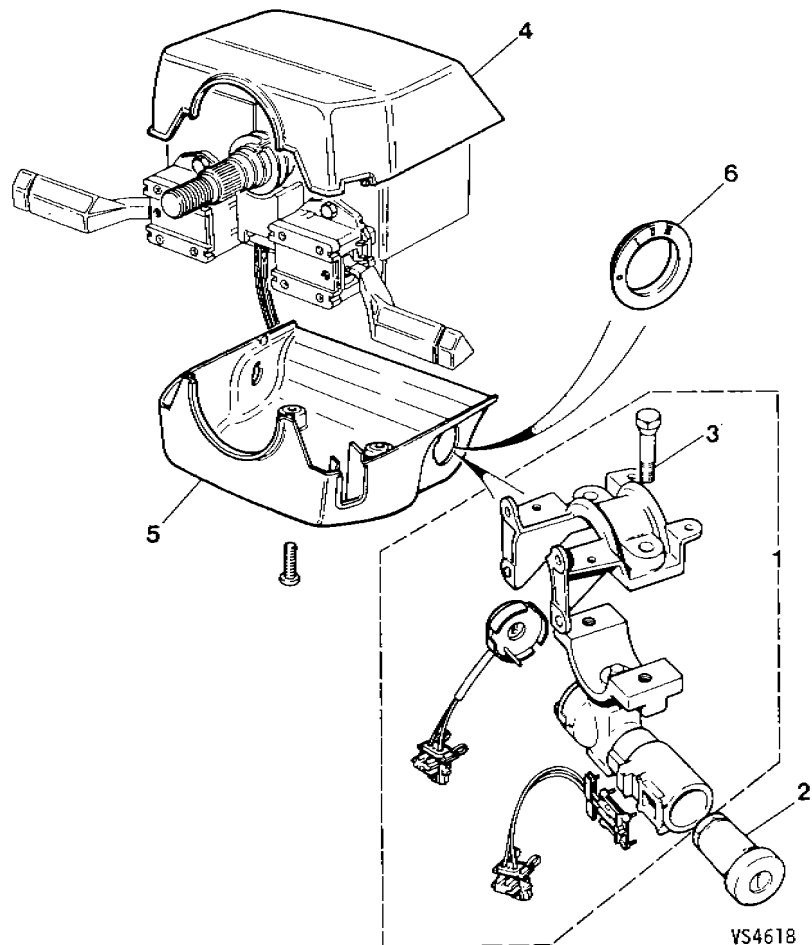
ENGINE.....	1.C
FLYWHEEL AND CLUTCH.....	1.F
GEARBOX AND PROPSHAFT.....	1.G
AXLES, SUSPENSION, DRIVE SHAFTS, WHEELS.....	1.I
STEERING.....	1.K
BRAKES AND BRAKE CONTROLS.....	1.L
FUEL, EXHAUST AND EMISSION SYSTEMS.....	1.M
COOLING, HEATING AND AIR CONDITIONING.....	2.C
ELECTRICAL, WASHERS-WIPERS, INSTRUMENTS.....	2.E
CHASSIS, SUBFRAMES, BODY SHELL, FITTINGS.....	2.J
FASCIA, TRIM, SEATS AND FIXINGS.....	3.C
ACCESSORIES AND PAINT.....	3.J
NUMERICAL INDEX.....	3.K

GROUP INDEX

ALTERNATOR & MTGS.....	E04
ANTI LOCK BRAKING SYSTEM.....	I11
BATTERY AND FIXINGS.....	H17
BONNET/BOOT LAMPS AND SWITCHES.....	F10
BULB FAILURE MODULE.....	F07
CONSOLE EQUIPMENT-CIGAR LIGHTER.....	G15
CONSOLE PANEL ASSEMBLY.....	G14
DISTRIBUTOR-2.9 LITRE.....	E06
DISTRIBUTOR-3.6 LITRE.....	E07
DOOR CONTROL PANELS.....	G16
ELECTRIC COOLING FAN.....	E14
ELECTRICAL AERIAL.....	H14
ELECTRONIC CONTROL UNITS.....	E10
EXHAUST TEMPERATURE WARNING.....	I14
FACIA SWITCH PANEL ASSEMBLY.....	G12
FOG REAR GUARD LAMP AND REFLEX.....	F06
FRONT FLASHER LAMPS.....	E19
FRONT FOG LAMPS.....	E15
FUSE BOX-INERTIA SWITCH & RELAYS.....	H11
H.T. LEADS AND SPARK PLUG.....	E08

HARNESSES.....	I02
HEADLAMP ASSEMBLY-QUAD.....	E16
HEADLAMP ASSEMBLY-STYLED.....	E17
HEADLAMP WASH SYSTEM.....	G02
HIGH MOUNTED STOP LAMPS - USA/CDN ONLY.....	F14
HORNS AND MOUNTINGS - HELLA TYPE.....	G09
IGNITION COIL AND MODULE.....	E09
INFRA RED LOCKING SYSTEM.....	H09
INSTRUMENT DISPLAY MODULE.....	G04
INTERIOR LAMPS.....	F12
LAMBDA SENSOR.....	E13
MAP LIGHT AND ROOF CONSOLE.....	F11
MICROPROCESSORS & MOUNTINGS.....	E11
RADIO AND CASSETTE PLAYER.....	H15
REAR LAMP ASSEMBLY-DAIMLER/VDP.....	F04
REAR LAMP ASSEMBLY-JAGUAR.....	F03
RELAYS-ENGINE COMPARTMENT.....	H06
SEAT EQUIPMENT.....	H13
SIDE & NO. PLATE LAMP.....	F05
SIDEMARKER AND REFLEX LAMPS.....	F02
SPEED CONTROL EQUIPMENT.....	I12
SPEEDOMETER SENSOR.....	H02

STARTER MOTOR.....	E02
STEERING COLUMN LOCK & COVERS.....	G08
STEERING COLUMN SWITCHES.....	G07
TRANSDUCERS.....	G06
WINDSCREEN WASHER RESERVOIR.....	F17
WINDSCREEN WIPER MOTOR.....	F15
WIPER ARM AND BLADE.....	F16



Illus	Part Number	123456	Description	Quantity	Change Point	Remarks
			STEERING COLUMN LOCK & COVERS.			
1	CBC 4167		LOCK ASSEMBLY-STEERING COLUMN.....	1		
2	BBC 6227		BARREL ASSEMBLY.....	1		
3	JLM 1250		Bolt-shear head.....	2		
4	CAC 6198		Cover-steering column-upper.....	1		
5	CAC 6199		Cover-steering column-lower.....	1		
6	CAC 7250		Escutcheon ring.....	1		
	SN 105101 J		Setscrew.....	4		
	SE 104081 J		Setscrew.....	6		

2G 08

VS4618

MASTER INDEX

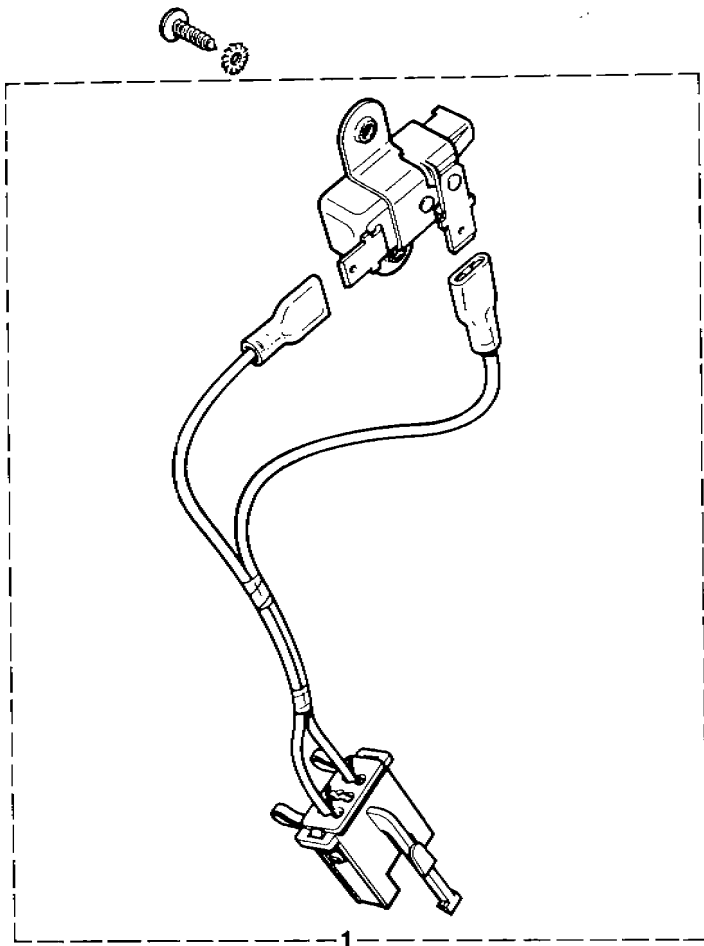
ENGINE.....	1.C
FLYWHEEL AND CLUTCH.....	1.F
GEARBOX AND PROPSHAFT.....	1.G
AXLES, SUSPENSION, DRIVE SHAFTS, WHEELS.....	1.I
STEERING.....	1.K
BRAKES AND BRAKE CONTROLS.....	1.L
FUEL, EXHAUST AND EMISSION SYSTEMS.....	1.M
COOLING, HEATING AND AIR CONDITIONING.....	2.C
ELECTRICAL, WASHERS-WIPERS, INSTRUMENTS.....	2.E
CHASSIS, SUBFRAMES, BODY SHELL, FITTINGS.....	2.J
FASCIA, TRIM, SEATS AND FIXINGS.....	3.C
ACCESSORIES AND PAINT.....	3.J
NUMERICAL INDEX.....	3.K

GROUP INDEX

ALTERNATOR & MTGS.....	E04
ANTI LOCK BRAKING SYSTEM.....	I11
BATTERY AND FIXINGS.....	H17
BONNET/BOOT LAMPS AND SWITCHES.....	F10
BULB FAILURE MODULE.....	F07
CONSOLE EQUIPMENT-CIGAR LIGHTER.....	G15
CONSOLE PANEL ASSEMBLY.....	G14
DISTRIBUTOR-2.9 LITRE.....	E06
DISTRIBUTOR-3.6 LITRE.....	E07
DOOR CONTROL PANELS.....	G16
ELECTRIC COOLING FAN.....	E14
ELECTRICAL AERIAL.....	H14
ELECTRONIC CONTROL UNITS.....	E10
EXHAUST TEMPERATURE WARNING.....	I14
FACIA SWITCH PANEL ASSEMBLY.....	G12
FOG REAR GUARD LAMP AND REFLEX.....	F06
FRONT FLASHER LAMPS.....	E18
FRONT FOG LAMPS.....	E15
FUSE BOX-INERTIA SWITCH & RELAYS.....	H11
H.T.LEADS AND SPARK PLUG.....	E08

HARNESSES.....	I02
HEADLAMP ASSEMBLY-QUAD.....	E16
HEADLAMP ASSEMBLY-STYLED.....	E17
HEADLAMP WASH SYSTEM.....	G02
HIGH MOUNTED STOP LAMPS - USA/CDN ONLY.....	F14
HORNS AND MOUNTINGS - HELLA TYPE.....	G09
IGNITION COIL AND MODULE.....	E09
INFRA RED LOCKING SYSTEM.....	H09
INSTRUMENT DISPLAY MODULE.....	G04
INTERIOR LAMPS.....	F12
LAMBDA SENSOR.....	E13
MAP LIGHT AND ROOF CONSOLE.....	F11
MICROPROCESSORS & MOUNTINGS.....	E11
RADIO AND CASSETTE PLAYER.....	H15
REAR LAMP ASSEMBLY-DAIMLER/VDP.....	F04
REAR LAMP ASSEMBLY-JAGUAR.....	F03
RELAYS-ENGINE COMPARTMENT.....	H06
SEAT EQUIPMENT.....	H13
SIDE & NO. PLATE LAMP.....	F05
SIDEMARKER AND REFLEX LAMPS.....	F02
SPEED CONTROL EQUIPMENT.....	H12
SPEEDOMETER SENSOR.....	H02

STARTER MOTOR.....	E02
STEERING COLUMN LOCK & COVERS.....	G08
STEERING COLUMN SWITCHES.....	G07
TRANSDUCERS.....	G06
WINDSCREEN WASHER RESERVOIR.....	F17
WINDSCREEN WIPER MOTOR.....	F15
WIPER ARM AND BLADE.....	F16



Illus	Part Number	123456 Description	Quantity	Change Point	Remarks
HANDBRAKE SWITCH ASSEMBLY					
1	ADU 2888 J	Switchy Assy - handbrake.....	1	Up to VIN	Part of handbrake lever assy
1	DBC 1818	Switch Assy - handbrake - RH.....	1	From VIN	
1	DBC 1819	Switch Assy - handbrake - LH.....	1		
	DBC 1735	Harness.....	1	Up to VIN	
	DBC 1819	Harness.....	1	From VIN	
	DAC 8876	Bridge insulation.....	1		
	SE 104121 J	Setscrew.....	2		
	WA 104001 J	Washer.....	1		
	WE 104001 J	Washer.....	1		

K98.04NF25/8/88

VS4886

VS4886

MASTER INDEX

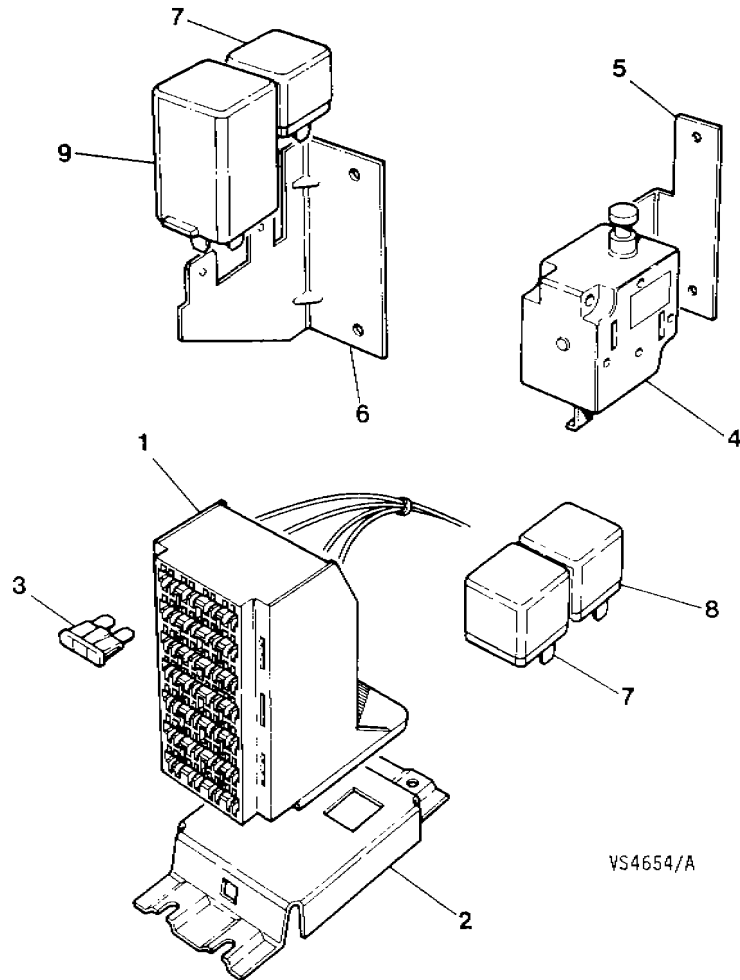
ENGINE.....	1.C
FLYWHEEL AND CLUTCH.....	1.F
GEARBOX AND PROPSHAFT.....	1.G
AXLES, SUSPENSION, DRIVE SHAFTS, WHEELS.....	1.I
STEERING.....	1.K
BRAKES AND BRAKE CONTROLS.....	1.L
FUEL, EXHAUST AND EMISSION SYSTEMS.....	1.M
COOLING, HEATING AND AIR CONDITIONING.....	2.C
ELECTRICAL, WASHERS-WIPERS, INSTRUMENTS.....	2.E
CHASSIS, SUBFRAMES, BODY SHELL, FITTINGS.....	2.J
FASCIA, TRIM, SEATS AND FIXINGS.....	3.C
ACCESSORIES AND PAINT.....	3.J
NUMERICAL INDEX.....	3.K

GROUP INDEX

ALTERNATOR & MTGS.....	E04
ANTI LOCK BRAKING SYSTEM.....	I11
BATTERY AND FIXINGS.....	H17
BONNET/BOOT LAMPS AND SWITCHES.....	F10
BULB FAILURE MODULE.....	F07
CONSOLE EQUIPMENT-CIGAR LIGHTER.....	G15
CONSOLE PANEL ASSEMBLY.....	G14
DISTRIBUTOR-2.9 LITRE.....	E06
DISTRIBUTOR-3.6 LITRE.....	E07
DOOR CONTROL PANELS.....	G16
ELECTRIC COOLING FAN.....	E14
ELECTRICAL AERIAL.....	H14
ELECTRONIC CONTROL UNITS.....	E10
EXHAUST TEMPERATURE WARNING.....	I14
FACIA SWITCH PANEL ASSEMBLY.....	G12
FOG REAR GUARD LAMP AND REFLEX.....	F06
FRONT FLASHER LAMPS.....	E18
FRONT FOG LAMPS.....	E15
FUSE BOX-INERTIA SWITCH & RELAYS.....	H11
H.T.LEADS AND SPARK PLUG.....	E08

HARNESSES.....	I02
HEADLAMP ASSEMBLY-QUAD.....	E16
HEADLAMP ASSEMBLY-STYLED.....	E17
HEADLAMP WASH SYSTEM.....	G02
HIGH MOUNTED STOP LAMPS - USA/CDN ONLY.....	F14
HORNS AND MOUNTINGS - HELLA TYPE.....	G09
IGNITION COIL AND MODULE.....	E09
INFRA RED LOCKING SYSTEM.....	H09
INSTRUMENT DISPLAY MODULE.....	G04
INTERIOR LAMPS.....	F12
LAMBDA SENSOR.....	E13
MAP LIGHT AND ROOF CONSOLE.....	F11
MICROPROCESSORS & MOUNTINGS.....	E11
RADIO AND CASSETTE PLAYER.....	H15
REAR LAMP ASSEMBLY-DAIMLER/VDP.....	F04
REAR LAMP ASSEMBLY-JAGUAR.....	F03
RELAYS-ENGINE COMPARTMENT.....	H06
SEAT EQUIPMENT.....	H13
SIDE & NO. PLATE LAMP.....	F05
SIDEMARKER AND REFLEX LAMPS.....	F02
SPEED CONTROL EQUIPMENT.....	I12
SPEEDOMETER SENSOR.....	H02

STARTER MOTOR.....	E02
STEERING COLUMN LOCK & COVERS.....	G08
STEERING COLUMN SWITCHES.....	G07
TRANSDUCERS.....	G06
WINDSCREEN WASHER RESERVOIR.....	F17
WINDSCREEN WIPER MOTOR.....	F15
WIPER ARM AND BLADE.....	F16



Illus	Part Number	123456 Description	Quantity	Change Point	Remarks
FUSE BOX-INERTIA SWITCH & RELAYS					
1	DBC 2596	Module assy-fuse box-RH.....	NLA		Use DBC 3979
1	DBC 3979	Module assy-fuse box-RH.....	1	Up to VIN556850	14 Fuse box
1	DBC 3398	Module assy-fuse box-RH.....	1	From VIN556851	17 Fuse box
1	DBC 2597	Module assy-fuse box-LH.....	NLA		Use DBC 3983
2	DBC 3983	Module assy-fuse box-LH.....	1	Up to VIN556850	14 Fuse box
1	DBC 3399	Module assy-fuse box-LH.....	1	From VIN556851	17 Fuse box
2	DAC 8447	Mounting brkt-fuse box.....	2	Up to VIN556850	
2	DBC 4824	Mounting brkt-fuse box.....	2	From VIN556851	
3	ADU 1872 J	Fuse-3 amp.....	NLA		Use DGC 2491
3	DGC 2491	Fuse-3 amp.....	A/R		
3	ADU 1874 J	Fuse-5 amp.....	NLA		Use DGC 2493
3	DGC 2493	Fuse-5 amp.....	A/R		
3	ADU 1875 J	Fuse-7.5 amp.....	NLA		Use DGC 2494
3	DGC 2494	Fuse-7.5 amp.....	A/R		
3	ADU 1876 J	Fuse-10 amp.....	NLA		Use DGC 2495
3	DGC 2495	Fuse-10 amp.....	A/R		
3	ADU 1877 J	Fuse-15 amp.....	NLA		Use DGC 2496
3	DGC 2496	Fuse-15 amp.....	A/R		
3	ADU 1878 J	Fuse-20 amp.....	NLA		Use DGC 2497
3	DGC 2497	Fuse-20 amp.....	A/R		
3	ADU 1879 J	Fuse-25 amp.....	NLA		Use DGC 2498
3	DGC 2498	Fuse-25 amp.....	A/R		
3	ADU 1880 J	Fuse-30 amp.....	NLA		Use DGC 2499
3	DGC 2499	Fuse-30 amp.....	A/R		
	CZK 3264 J	Insert-sill & bracket.....	NLA		Use BBC 3242
	BBC 3242	insert-sill & bracket.....	3		
	BD 48954	Insert-module to brkt.....	2	From VIN556851	
	DA 610061 J	Screw.....	8		

K118HNF1/7/88

2H 1.1

VS4654A

VS4654/A

MASTER INDEX

ENGINE.....	1.C
FLYWHEEL AND CLUTCH.....	1.F
GEARBOX AND PROPSHAFT.....	1.G
AXLES, SUSPENSION, DRIVE SHAFTS, WHEELS.....	1.J
STEERING.....	1.K
BRAKES AND BRAKE CONTROLS.....	1.L
FUEL, EXHAUST AND EMISSION SYSTEMS.....	1.M
COOLING, HEATING AND AIR CONDITIONING.....	2.C
ELECTRICAL, WASHERS-WIPERS, INSTRUMENTS.....	2.E
CHASSIS, SUBFRAMES, BODY SHELL, FITTINGS.....	2.J
FASCIA, TRIM, SEATS AND FIXINGS.....	3.C
ACCESSORIES AND PAINT.....	3.J
NUMERICAL INDEX.....	3.K

GROUP INDEX

ALTERNATOR & MTGS.....	E04
ANTI LOCK BRAKING SYSTEM.....	I11
BATTERY AND FIXINGS.....	H17
BONNET/BOOT LAMPS AND SWITCHES.....	F10
BULB FAILURE MODULE.....	F07
CONSOLE EQUIPMENT-CIGAR LIGHTER.....	G15
CONSOLE PANEL ASSEMBLY.....	G14
DISTRIBUTOR-2.9 LITRE.....	E06
DISTRIBUTOR-3.6 LITRE.....	E07
DOOR CONTROL PANELS.....	G16
ELECTRIC COOLING FAN.....	E14
ELECTRICAL AERIAL.....	H14
ELECTRONIC CONTROL UNITS.....	E10
EXHAUST TEMPERATURE WARNING.....	I14
FACIA SWITCH PANEL ASSEMBLY.....	G12
FOG REAR GUARD LAMP AND REFLEX.....	F06
FRONT FLASHER LAMPS.....	E18
FRONT FOG LAMPS.....	E15
FUSE BOX-INERTIA SWITCH & RELAYS.....	H11
H.T.LEADS AND SPARK PLUG.....	E08

HARNESSES.....	I02
HEADLAMP ASSEMBLY-QUAD.....	E16
HEADLAMP ASSEMBLY-STYLED.....	E17
HEADLAMP WASH SYSTEM.....	G02
HIGH MOUNTED STOP LAMPS - USA/CDN ONLY.....	F14
HORNS AND MOUNTINGS - HELLA TYPE.....	G09
IGNITION COIL AND MODULE.....	E09
INFRA RED LOCKING SYSTEM.....	H09
INSTRUMENT DISPLAY MODULE.....	G04
INTERIOR LAMPS.....	F12
LAMBDA SENSOR.....	E13
MAP LIGHT AND ROOF CONSOLE.....	F11
MICROPROCESSORS & MOUNTINGS.....	E11
RADIO AND CASSETTE PLAYER.....	H15
REAR LAMP ASSEMBLY-DAIMLER/VDP.....	F04
REAR LAMP ASSEMBLY-JAGUAR.....	F03
RELAYS-ENGINE COMPARTMENT.....	H06
SEAT EQUIPMENT.....	H13
SIDE & NO.PLATE LAMP.....	F05
SIDEMARKER AND REFLEX LAMPS.....	F02
SPEED CONTROL EQUIPMENT.....	I12
SPEEDOMETER SENSOR.....	H02

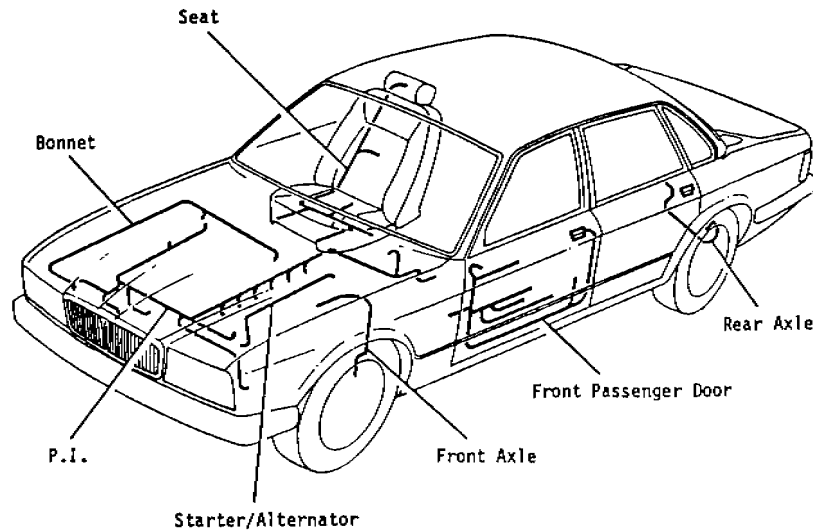
STARTER MOTOR.....	E02
STEERING COLUMN LOCK & COVERS.....	G08
STEERING COLUMN SWITCHES.....	G07
TRANSDUCERS.....	G06
WINDSCREEN WASHER RESERVOIR.....	F17
WINDSCREEN WIPER MOTOR.....	F15
WIPER ARM AND BLADE.....	F16

JAGUAR 2.9 AND 3.6 LITRE SALOONS

I04
fiche 2

ELECTRICAL, WASHERS-WIPERS, INSTRUMENTS

Illus	Part Number	123456 Description	Quantity	Change Point	Remarks
HARNESSES-continued.					
1	DBC 2423	Harness-Pl.....	1	Up to Vin No. 507392	2.9L Not A/AUS/CDN/CH/D/J
	DBC 3088	Harness-Pl.....	1	From Vin No. 507393	
1	DBC 2424	Harness-Pl.....	1	Up to Vin No. 506447	2.9L A/AUS/CDN/CH/D/J
	DBC 3089	Harness-Pl.....	1	From Vin No. 506448	
2	DBC 2499	Harness-Pl.....	1	Up to Vin No. 507392	3.6 Not A/CDN/CH/D/J/S/USA
	DBC 3086	Harness-Pl.....	1	From Vin 507393	
1	DBC 2476	Harness-Pl.....	1	Up to Vin No. 506447	3.6 A/CDN/CH/D/J/S/USA
	DBC 3087	Harness-Pl.....	1	From Vin 506448	
	AGU 1088	Clip-Harness To ECU Brkt.....	1		2.9 Litre
	SH 105121 J	Setscrew-Harness Clip.....	1		2.9 Litre
	WA 105001 J	Washer-Plain.....	1		2.9L/3.6L
	WF 105001 J	Washer-Serrated-Earth Spur.....	1		3.6 Litre
	NH 105041 J	Nut-Pl Earth Spur.....	1		3.6 Litre
	DBC 1095	Seal-Pl Harness-Vac Tank.....	1		



VS4774

VS4774

MASTER INDEX

ENGINE.....	1.C
FLYWHEEL AND CLUTCH.....	1.F
GEARBOX AND PROPSHAFT.....	1.G
AXLES, SUSPENSION, DRIVE SHAFTS, WHEELS.....	1.I
STEERING.....	1.K
BRAKES AND BRAKE CONTROLS.....	1.L
FUEL, EXHAUST AND EMISSION SYSTEMS.....	1.M
COOLING, HEATING AND AIR CONDITIONING.....	2.C
ELECTRICAL, WASHERS-WIPERS, INSTRUMENTS.....	2.E
CHASSIS, SUBFRAMES, BODY SHELL, FITTINGS.....	2.J
FASCIA, TRIM, SEATS AND FIXINGS.....	3.C
ACCESSORIES AND PAINT.....	3.J
NUMERICAL INDEX.....	3.K

GROUP INDEX

ALTERNATOR & MTGS.....	E04
ANTI LOCK BRAKING SYSTEM.....	I11
BATTERY AND FIXINGS.....	H17
BONNET/BOOT LAMPS AND SWITCHES.....	F10
BULB FAILURE MODULE.....	F07
CONSOLE EQUIPMENT-CIGAR LIGHTER.....	G15
CONSOLE PANEL ASSEMBLY.....	G14
DISTRIBUTOR-2.9 LITRE.....	E06
DISTRIBUTOR-3.6 LITRE.....	E07
DOOR CONTROL PANELS.....	G16
ELECTRIC COOLING FAN.....	E14
ELECTRICAL AERIAL.....	H14
ELECTRONIC CONTROL UNITS.....	E10
EXHAUST TEMPERATURE WARNING.....	I14
FACIA SWITCH PANEL ASSEMBLY.....	G12
FOG REAR GUARD LAMP AND REFLEX.....	F06
FRONT FLASHER LAMPS.....	E18
FRONT FOG LAMPS.....	E15
FUSE BOX-INERTIA SWITCH & RELAYS.....	H11
H.T.LEADS AND SPARK PLUG.....	E08

HARNESSES.....	I02
HEADLAMP ASSEMBLY-QUAD.....	E16
HEADLAMP ASSEMBLY-STYLED.....	E17
HEADLAMP WASH SYSTEM.....	G02
HIGH MOUNTED STOP LAMPS - USA/CDN ONLY.....	F14
HORNS AND MOUNTINGS - HELLA TYPE.....	G09
IGNITION COIL AND MODULE.....	E09
INFRA RED LOCKING SYSTEM.....	H09
INSTRUMENT DISPLAY MODULE.....	G04
INTERIOR LAMPS.....	F12
LAMBDA SENSOR.....	E13
MAP LIGHT AND ROOF CONSOLE.....	F11
MICROPROCESSORS & MOUNTINGS.....	E11
RADIO AND CASSETTE PLAYER.....	H15
REAR LAMP ASSEMBLY-DAIMLER/VDP.....	F04
REAR LAMP ASSEMBLY-JAGUAR.....	F03
RELAYS-ENGINE COMPARTMENT.....	H06
SEAT EQUIPMENT.....	H13
SIDE & NO. PLATE LAMP.....	F05
SIDEMARKER AND REFLEX LAMPS.....	F02
SPEED CONTROL EQUIPMENT.....	I12
SPEEDOMETER SENSOR.....	H02

STARTER MOTOR.....	E02
STEERING COLUMN LOCK & COVERS.....	G08
STEERING COLUMN SWITCHES.....	G07
TRANSDUCERS.....	G06
WINDSCREEN WASHER RESERVOIR.....	F17
WINDSCREEN WIPER MOTOR.....	F15
WIPER ARM AND BLADE.....	F16

Illus	Part Number	123456 Description	Quantity	Change Point	Remarks
EXHAUST TEMPERATURE WARNING.					
1	DBC 1603	Thermocouple Assy.....	1		
2	DBC 1606	Compression Gland Thermocouple.....	1		
3	DBC 2081	Sensor-Thermal.....	1		Rr Seat Pan
4	DBC 1616	Mounting Bracket-Thermal Sensor.....	1		
5	DBC 2879	Module-Catalyst Switching.....	1		
6	DBC 1605	Mounting Bracket-RH.....	1] Facia Support Bracket
6	DBC 1609	Mounting Bracket-LH.....	1		
7	ADU 9028	Cable Tie.....	4		
8	SH 103101 J	Screw.....	2		
9	WA 103001 J	Washer.....	2		
10	NH 103041 J	Nut.....	2		
11	SH 104121 J	Screw.....	1		
12	WA 104001 J	Washer.....	1		

ILLUSTRATION NOT USED

21 14

ND

MASTER INDEX

ENGINE.....	1.C
FLYWHEEL AND CLUTCH.....	1.F
GEARBOX AND PROPSHAFT.....	1.G
AXLES, SUSPENSION, DRIVE SHAFTS, WHEELS.....	1.I
STEERING.....	1.K
BRAKES AND BRAKE CONTROLS.....	1.L
FUEL, EXHAUST AND EMISSION SYSTEMS.....	1.M
COOLING, HEATING AND AIR CONDITIONING.....	2.C
ELECTRICAL, WASHERS-WIPERS, INSTRUMENTS.....	2.E
CHASSIS, SUBFRAMES, BODY SHELL, FITTINGS.....	2.J
FASCIA, TRIM, SEATS AND FIXINGS.....	3.C
ACCESSORIES AND PAINT.....	3.J
NUMERICAL INDEX.....	3.K

GROUP INDEX

ALTERNATOR & MTGS.....	E04
ANTI LOCK BRAKING SYSTEM.....	I11
BATTERY AND FIXINGS.....	H17
BONNET/BOOT LAMPS AND SWITCHES.....	F10
BULB FAILURE MODULE.....	F07
CONSOLE EQUIPMENT-CIGAR LIGHTER.....	G15
CONSOLE PANEL ASSEMBLY.....	G14
DISTRIBUTOR-2.9 LITRE.....	E06
DISTRIBUTOR-3.6 LITRE.....	E07
DOOR CONTROL PANELS.....	G16
ELECTRIC COOLING FAN.....	E14
ELECTRICAL AERIAL.....	H14
ELECTRONIC CONTROL UNITS.....	E10
EXHAUST TEMPERATURE WARNING.....	I14
FACIA SWITCH PANEL ASSEMBLY.....	G12
FOG REAR GUARD LAMP AND REFLEX.....	F06
FRONT FLASHER LAMPS.....	E18
FRONT FOG LAMPS.....	E15
FUSE BOX-INERTIA SWITCH & RELAYS.....	H11
H.T. LEADS AND SPARK PLUG.....	E08

HARNESSES.....	J02
HEADLAMP ASSEMBLY-QUAD.....	E16
HEADLAMP ASSEMBLY-STYLED.....	E17
HEADLAMP WASH SYSTEM.....	G02
HIGH MOUNTED STOP LAMPS - USA/CDN ONLY.....	F14
HORNS AND MOUNTINGS - HELLA TYPE.....	G09
IGNITION COIL AND MODULE.....	E09
INFRA RED LOCKING SYSTEM.....	H09
INSTRUMENT DISPLAY MODULE.....	G04
INTERIOR LAMPS.....	F12
LAMBDA SENSOR.....	E13
MAP LIGHT AND ROOF CONSOLE.....	F11
MICROPROCESSORS & MOUNTINGS.....	E11
RADIO AND CASSETTE PLAYER.....	H15
REAR LAMP ASSEMBLY-DAIMLER/VDP.....	F04
REAR LAMP ASSEMBLY-AGUAR.....	F03
RELAYS-ENGINE COMPARTMENT.....	H06
SEAT EQUIPMENT.....	H13
SIDE & NO. PLATE LAMP.....	F05
SIDEMARKER AND REFLEX LAMPS.....	F02
SPEED CONTROL EQUIPMENT.....	I12
SPEEDOMETER SENSOR.....	H02
STARTER MOTOR.....	E02
STEERING COLUMN LOCK & COVERS.....	G08
STEERING COLUMN SWITCHES.....	G07
TRANSDUCERS.....	G06
WINDSCREEN WASHER RESERVOIR.....	F17
WINDSCREEN WIPER MOTOR.....	F15
WIPER ARM AND BLADE.....	F16

CLICK HERE TO **DOWNLOAD** THE COMPLETE MANUAL

- Thank you very much for reading the preview of the manual.
- You can download the complete manual from: www.heydownloads.com by clicking the link below



- Please note: If there is no response to CLICKING the link, please download this PDF first and then click on it.

CLICK HERE TO **DOWNLOAD** THE COMPLETE MANUAL

Illus Part Number 123456 Description Quantity Change Point Remarks

ENGINE 2.9 LITRE-continued.
TIMING COVER

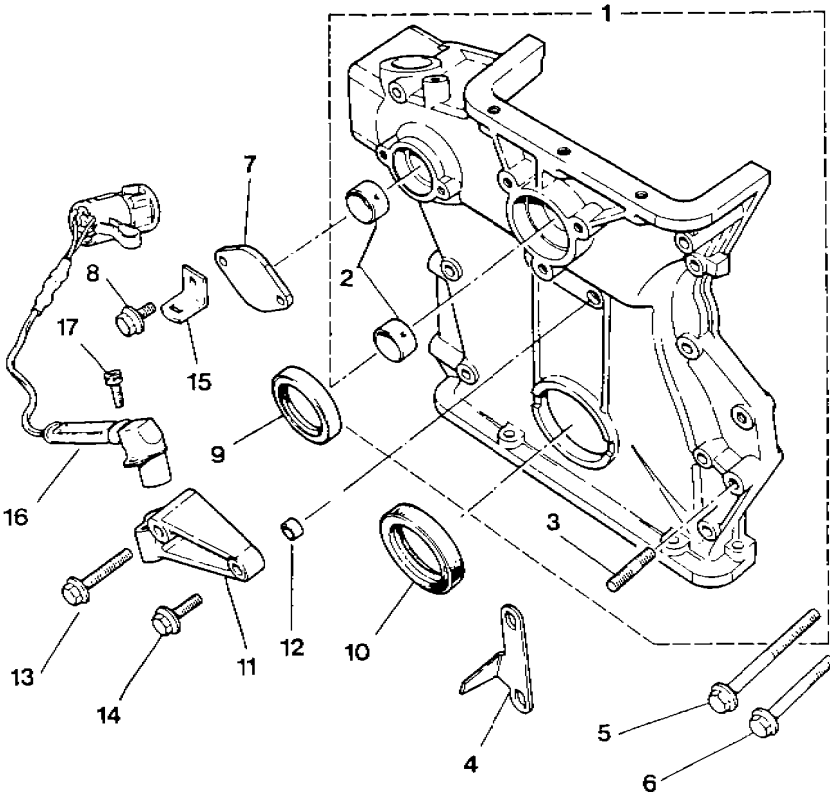
1	EAC 5653	TIMING COVER ASSEMBLY.....	1	Up to Eng.No.101879	80 amp alternator
1	EAC 9655	TIMING COVER ASSEMBLY.....	1	From Eng.No.101880	90 amp alternator
2	EAC 2522	Bush.....	2		
3	TE 108051 J	Stud.....	1		
4	EAC 6811	Timing Indicator.....	1		
5	FB 108181 J	Bolt-securing timing cover.....	4		
6	FB 108131 J	Bolt-securing timing cover.....	4		
7	EAC 3926	Cover plate-auxiliary shaft.....	1		
8	FS 106161 J	Setscrew-securing cover plate.....	2		
9	EAC 7263	Oil seal-intermediate shaft.....	NLA	Up to 9APTMA 103776	Use EAC 5721
9	EAC 5721	Oil seal-intermediate shaft.....	1	From 9APTMA 103777	
10	EAC 7954	Oil seal-crankshaft.....	1		
11	EAC 5613	Bracket-ignition sensor mounting.....	1		First type
11	EBC 1252	Bracket-ignition sensor mounting.....	1		Second type
12	C 2373	Dowel bracket to timing cover.....	2		
13	FB 108101 J	Bolt bracket to timing cover.....	1		
14	FB 108071 J	Bolt bracket to timing cover.....	1		Use with EAC 5613
14	FB 108061 J	Bolt-bracket to timing cover.....	1		Use with EBC 1252
15	DBC 2433	Bracket(Sensor Cable).....	1		
16	DBC 2144 J	CRANKSHAFT SPEED SENSOR.....	1		
17	SS 106121 J	Screw-sensor to bracket.....	1		
	DBC 4342	Plate-sensor to timing cover.....	1		

B18AK5/7/88

VS4360/C

VS 4360C

IC 10



MASTER INDEX

ENGINE.....	1.C
FLYWHEEL AND CLUTCH.....	1.F
GEARBOX AND PROPSHAFT.....	1.G
AXLES, SUSPENSION, DRIVE SHAFTS, WHEELS.....	1.J
STEERING.....	1.K
BRAKES AND BRAKE CONTROLS.....	1.L
FUEL, EXHAUST AND EMISSION SYSTEMS.....	1.M
COOLING, HEATING AND AIR CONDITIONING.....	2.C
ELECTRICAL, WASHERS-WIPERS, INSTRUMENTS.....	2.E
CHASSIS, SUBFRAMES, BODY SHELL, FITTINGS.....	2.J
FASCIA, TRIM, SEATS AND FIXINGS.....	3.C
ACCESSORIES AND PAINT.....	3.J
NUMERICAL INDEX.....	3.K

GROUP INDEX

ENGINE 2.9 LITRE.....	C02
AUXILIARY SHAFT-PRIMARY CHAIN.....	C08
CAMSHAFT AND TAPPET BLOCK.....	C13
CRANKSHAFT AND MAIN BEARINGS.....	C05
CYLINDER BLOCK.....	C03
CYLINDER HEAD.....	C11
CYLINDER HEAD GASKET.....	C12
DRIVE BELTS.....	D06
EXHAUST MANIFOLD.....	D03
FRONT ENGINE MOUNTING.....	D08
GASKET SETS.....	D07
HYDRAULIC PUMP (P.A.B.).....	D05
INDUCTION MANIFOLD.....	D02
INLET VALVE.....	C11
INTERMEDIATE SHAFT AND CHAIN.....	C09
OIL COOLER.....	D09
OIL FEED PIPE-BREATHER CAP.....	C14
OIL FILTER.....	C15
OIL PRESSURE TRANSDUCER.....	C15
OIL PUMP AND CARRIER.....	C07

OIL SUMP AND DIPSTICK.....	C04
PISTON AND CONN RODS.....	C06
THERMOSTAT AND BY-PASS HOSE.....	C18
TIMING COVER.....	C10
TRANSMISSION ADAPTOR.....	D04
WATER PUMP.....	C16
WATER RAIL-HEATER RETURN HOSE.....	C17
WATER TEMPERATURE TRANSDUCER.....	C18
ENGINE 3.6 LITRE.....	D10
AUXILIARY SHAFT-PRIMARY CHAIN.....	D16
CAMSHAFT AND VALVES.....	E03
CRANKSHAFT AND MAIN BEARINGS.....	D13
CRANKSHAFT SPEED SENSOR.....	D18
CYLINDER BLOCK.....	D11
CYLINDER HEAD AND GASKET.....	E02
DRIVE BELTS.....	E13
EXHAUST MANIFOLD.....	E10
FRONT ENGINE MOUNTING.....	E15
GASKET SETS.....	E14
HYDRAULIC PUMP (P.A.B.).....	E12
INDUCTION MANIFOLD.....	E09
INTERMEDIATE SHAFT AND.....	D17

OIL COOLER.....	E16
OIL FILTER AND FILLER PIPE.....	E05
OIL PUMP AND CARRIER.....	D15
OIL SUMP AND DIPSTICK.....	D12
PISTON AND CONN RODS.....	D14
THERMOSTAT AND BY-PASS HOSE.....	E08
TIMING COVER.....	D18
TRANSMISSION ADAPTOR.....	E11
WATER PUMP.....	E06
WATER RAIL-HEATER RETURN HOSE.....	E07
WATER TEMPERATURE TRANSDUCER.....	E08

JAGUAR 2.9 AND 3.6 LITRE SALOONS

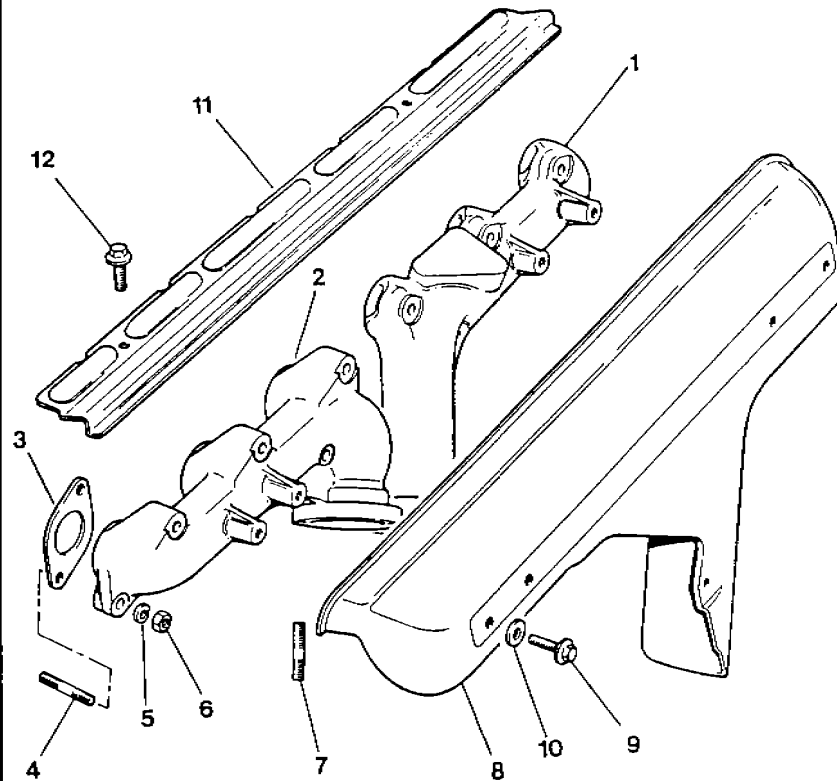
D03
fiche 1

ENGINE

Illus Part Number 123456 Description Quantity Change Point Remarks

ENGINE 2.9 LITRE-continued. EXHAUST MANIFOLD

1	EAC 7104	Exhaust manifold-front.....	1
2	EAC 7094	Exhaust manifold-rear.....	1
3	EAC 9083	MANIFOLD GASKET.....	6
4	TE 108051 J	Stud-manifold to cyl.head.....	12
5	JLM 303	Lockwasher-manifold to cyl.head.....	12
6	EAC 5277	Nut-manifold to cyl.head.....	12
7	EAC 3823	Stud-outlet flange.....	4
8	EAC 9675	Heatshield.....	1
9	SH 108141 J	Setscrew-securing heatshield.....	4
10	WA 108051 J	Washer.....	4
11	EAC 8111	Upper heatshield.....	1
12	FS 108161 J	Setscrew-securing heatshield.....	2



VS4386/B

VS 4386B

MASTER INDEX

ENGINE.....	1.C
FLYWHEEL AND CLUTCH.....	1.F
GEARBOX AND PROPSHAFT.....	1.G
AXLES, SUSPENSION, DRIVE SHAFTS, WHEELS.....	1.I
STEERING.....	1.K
BRAKES AND BRAKE CONTROLS.....	1.L
FUEL, EXHAUST AND EMISSION SYSTEMS.....	1.M
COOLING, HEATING AND AIR CONDITIONING.....	2.C
ELECTRICAL, WASHERS-WIPERS, INSTRUMENTS.....	2.E
CHASSIS, SUBFRAMES, BODY SHELL, FITTINGS.....	2.J
FASCIA, TRIM, SEATS AND FIXINGS.....	3.C
ACCESSORIES AND PAINT.....	3.J
NUMERICAL INDEX.....	3.K

GROUP INDEX

ENGINE 2.9 LITRE.....	C02
AUXILIARY SHAFT-PRIMARY CHAIN.....	C08
CAMSHAFT AND TAPPET BLOCK.....	C13
CRANKSHAFT AND MAIN BEARINGS.....	C05
CYLINDER BLOCK.....	C03
CYLINDER HEAD.....	C11
CYLINDER HEAD GASKET.....	C12
DRIVE BELTS.....	D06
EXHAUST MANIFOLD.....	D03
FRONT ENGINE MOUNTING.....	D08
GASKET SETS.....	D07
HYDRAULIC PUMP (P.A.B.).....	D05
INDUCTION MANIFOLD.....	D02
INLET VALVE.....	C11
INTERMEDIATE SHAFT AND CHAIN.....	C09
OIL COOLER.....	D09
OIL FEED PIPE-BREATHING CAP.....	C14
OIL FILTER.....	C15
OIL PRESSURE TRANSDUCER.....	C15
OIL PUMP AND CARRIER.....	C07

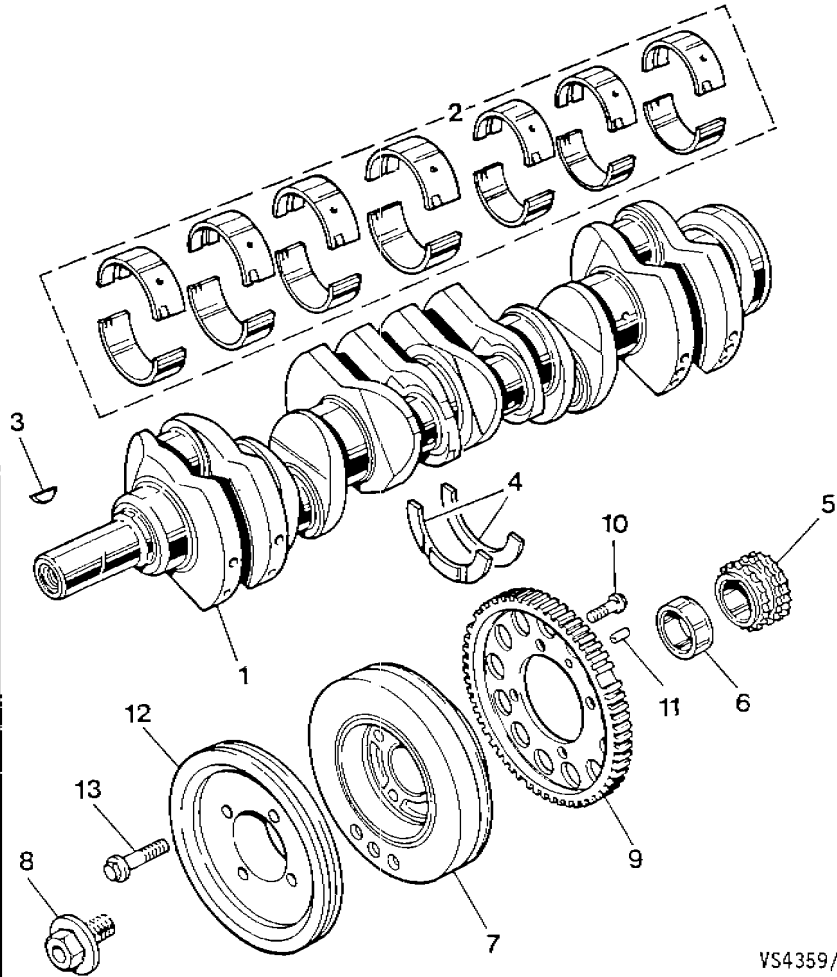
OIL SUMP AND DIPSTICK.....	C04
PISTON AND CONN RODS.....	C06
THERMOSTAT AND BY-PASS HOSE.....	C18
TIMING COVER.....	C10
TRANSMISSION ADAPTOR.....	D04
WATER PUMP.....	C16
WATER RAIL-HEATER RETURN HOSE.....	C17
WATER TEMPERATURE TRANSDUCER.....	C18
ENGINE 3.6 LITRE.....	D10
AUXILIARY SHAFT-PRIMARY CHAIN.....	D16
CAMSHAFT AND VALVES.....	E03
CRANKSHAFT AND MAIN BEARINGS.....	D13
CRANKSHAFT SPEED SENSOR.....	D18
CYLINDER BLOCK.....	D11
CYLINDER HEAD AND GASKET.....	E02
DRIVE BELTS.....	E13
EXHAUST MANIFOLD.....	E10
FRONT ENGINE MOUNTING.....	E15
GASKET SETS.....	E14
HYDRAULIC PUMP (P.A.B.).....	E12
INDUCTION MANIFOLD.....	E09
INTERMEDIATE SHAFT AND.....	D17

OIL COOLER.....	E16
OIL FILTER AND FILLER PIPE.....	E05
OIL PUMP AND CARRIER.....	D15
OIL SUMP AND DIPSTICK.....	D12
PISTON AND CONN RODS.....	D14
THERMOSTAT AND BY-PASS HOSE.....	E08
TIMING COVER.....	D18
TRANSMISSION ADAPTOR.....	E11
WATER PUMP.....	E06
WATER RAIL-HEATER RETURN HOSE.....	E07
WATER TEMPERATURE TRANSDUCER.....	E08

1D 03

ENGINE 3.6 LITRE-continued.
CRANKSHAFT AND MAIN BEARINGS

Illus	Part Number	Description	Quantity	Change Point	Remarks
1	EAC 7730	Crankshaft	1	Up to Eng No 128810	
1	EBC 1147	Crankshaft	1	From Eng No 128811	
2	JLM 764 S	Main bearing kit (STD)	1		
2	JLM 764 20	Main bearing kit (O/S)	1		
3	CAM 1978 J	Woodruff key	2		
4	C 34697	Thrust washer	2		
5	EAC 2456	Sprocket	1		
6	EAC 2464	Distance piece	1		
7	EAC 3810	Damper	1	Up to Eng.No.109969	80 amp alternator
7	EAC 7005	Damper	1	From Eng.No.109970	90 amp alternator
8	C 32367 1	Bolt-damper to crankshaft	1		
9	EAC 5615	Timing ring	1	Up to Eng.No.106104	
9	EAC 6850	Timing ring	1	From Eng.No.106105	
10	EAC 7291	Bolt-timing ring to damper	4		
11	PA 108121 J	Roll pin	1		
12	EAC 4056	Crankshaft pulley	1	Up to Eng.No.109969	Harrison compressor
12	EAC 7917	Crankshaft pulley	1	From Eng.No.109970	Sanden compressor
13	FB 108091 J	Bolt-pulley to damper	4		
		CRANK BALANCE WEIGHTS			
	EBC 1310 A	4.9 gramme	A/R	Up to Eng No. 128810	Air conditioning
	EBC 1310 I	5.9 gramme	A/R		
	EBC 1310 B	6.5 gramme	A/R		
	EBC 1310 C	9.7 gramme	A/R		
	EBC 1310 D	12.9 gramme	A/R		
	EBC 1310 E	17.8 gramme	A/R		
	EBC 1310 F	21.0 gramme	A/R		
	EBC 1310 G	28.0 gramme	A/R		
	EBC 1310 H	34.5 gramme	A/R		
	EAC 9911 A	2.5 gramme	A/R		
	EAC 9911 I	3.1 gramme	A/R		
	EAC 9911 B	3.9 gramme	A/R		
	EAC 9911 C	5.1 gramme	A/R		
	EAC 9911 D	6.8 gramme	A/R		
	EAC 9911 E	9.0 gramme	A/R		
	EBC 1433	Setscrew	4		Less air con



VS4359/A

1D 13

VS 4359A

MASTER INDEX

ENGINE	1.C
FLYWHEEL AND CLUTCH	1.F
GEARBOX AND PROPSHAFT	1.G
AXLES, SUSPENSION, DRIVE SHAFTS, WHEELS	1.I
STEERING	1.K
BRAKES AND BRAKE CONTROLS	1.L
FUEL, EXHAUST AND EMISSION SYSTEMS	1.M
COOLING, HEATING AND AIR CONDITIONING	2.C
ELECTRICAL, WASHERS-WIPERS, INSTRUMENTS	2.E
CHASSIS, SUBFRAMES, BODY SHELL, FITTINGS	2.J
FASCIA, TRIM, SEATS AND FIXINGS	3.C
ACCESSORIES AND PAINT	3.J
NUMERICAL INDEX	3.K

GROUP INDEX

ENGINE 2.9 LITRE	C02
AUXILIARY SHAFT-PRIMARY CHAIN	C08
CAMSHAFT AND TAPPET BLOCK	C13
CRANKSHAFT AND MAIN BEARINGS	C05
CYLINDER BLOCK	C03
CYLINDER HEAD	C11
CYLINDER HEAD GASKET	C12
DRIVE BELTS	D06
EXHAUST MANIFOLD	D03
FRONT ENGINE MOUNTING	D08
GASKET SETS	D07
HYDRAULIC PUMP (P.A.B)	D05
INDUCTION MANIFOLD	D02
INLET VALVE	C11
INTERMEDIATE SHAFT AND CHAIN	C09
OIL COOLER	D09
OIL FEED PIPE-BREATHING CAP	C14
OIL FILTER	C15
OIL PRESSURE TRANSDUCER	C15
OIL PUMP AND CARRIER	C07
OIL SUMP AND DIPSTICK	C04
PISTON AND CONN RODS	C06
THERMOSTAT AND BY-PASS HOSE	C18
TIMING COVER	C10
TRANSMISSION ADAPTOR	D04
WATER PUMP	C16
WATER RAIL-HEATER RETURN HOSE	C17
WATER TEMPERATURE TRANSDUCER	C18
ENGINE 3.6 LITRE	D10
AUXILIARY SHAFT-PRIMARY CHAIN	D16
CAMSHAFT AND VALVES	E03
CRANKSHAFT AND MAIN BEARINGS	D13
CRANKSHAFT SPEED SENSOR	D18
CYLINDER BLOCK	D11
CYLINDER HEAD AND GASKET	E02
DRIVE BELTS	E13
EXHAUST MANIFOLD	E10
FRONT ENGINE MOUNTING	E15
GASKET SETS	E14
HYDRAULIC PUMP (P.A.B)	E12
INDUCTION MANIFOLD	E09
INTERMEDIATE SHAFT AND	D17
OIL COOLER	E16
OIL FILTER AND FILLER PIPE	E05
OIL PUMP AND CARRIER	D15
OIL SUMP AND DIPSTICK	D12
PISTON AND CONN RODS	D14
THERMOSTAT AND BY-PASS HOSE	E08
TIMING COVER	D18
TRANSMISSION ADAPTOR	E11
WATER PUMP	E06
WATER RAIL-HEATER RETURN HOSE	E07
WATER TEMPERATURE TRANSDUCER	E08

Illus Part Number 123456 Description Quantity Change Point Remarks

ENGINE 3.6 LITRE-continued.
WATER PUMP

1	EAC 7243	WATER PUMP ASSEMBLY.....	1		
2	EAC 7220	Impellor.....	1		
3	EAC 6447	Seal.....	1		
4	FS 108301 J	Setscrew.....	5		
5	EAC 6305	Bearing.....	1		
6	EAC 5442	Pulley.....	1		
1	EAC 7246	WATER PUMP ASSEMBLY.....	1		
2	EAC 7220	Impellor.....	1	Up to Eng.No.109969	
3	EAC 6447	Seal.....	1		
4	FS 108301 J	Setscrew.....	5		
5	EAC 6305	Bearing.....	1		
6	EAC 5442	Pulley.....	1		
7	EAC 7236	Bracket-Air Pump Mounting.....	1		
8	FS 108301 J	Setscrew.....	4		
1	EAC 9211	WATER PUMP ASSEMBLY.....	1		
2	EAC 7220	Impellor.....	1		
3	EAC 6447	Seal.....	1		
4	FS 108301 J	Setscrew.....	5		
5	EAC 6305	Bearing.....	1		
6	EAC 6651	Pulley.....	1		
1	EAC 9172	WATER PUMP ASSEMBLY.....	1	From Eng.No.109970	
2	EAC 7220	Impellor.....	1		
3	EAC 6447	Seal.....	1		
4	FS 108301 J	Setscrew.....	5		
5	EAC 6305	Bearing.....	1		
6	EAC 6651	Pulley.....	1		
7	EAC 7236	Bracket-Air Pump Mounting.....	1		
8	FS 108301 J	Setscrew.....	4		
9	BH 108101 J	Bolt-pump to timing cover.....	1		
10	BH 108141 J	Bolt-pump to timing cover.....	2		
12	WB 108051 J	Washer.....	3		
11	TE 108031 J	Stud-pulley to drive unit.....	4		

Non Air Injection with Lucas 80 amp alternator

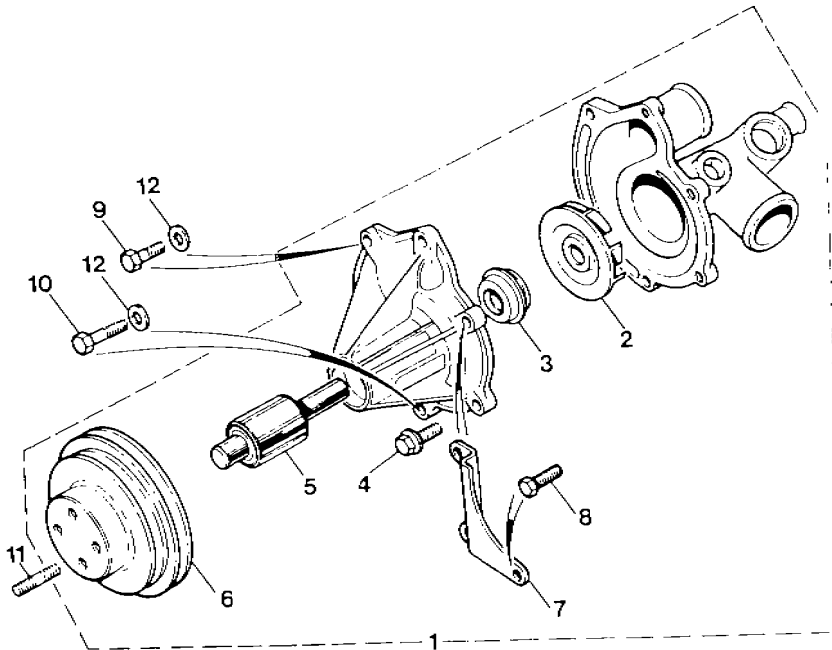
Air Injection With Lucas 80 AMP Alternator

Non air injection with Bosch 90 amp alternator

Air Injection With Bosch 90 AMP Alternator

Non air injection

B86AK18/7/88



VS4408/B

VS4408B

MASTER INDEX

ENGINE.....	1.C
FLYWHEEL AND CLUTCH.....	1.F
GEARBOX AND PROPSHAFT.....	1.G
AXLES, SUSPENSION, DRIVE SHAFTS, WHEELS.....	1.I
STEERING.....	1.K
BRAKES AND BRAKE CONTROLS.....	1.L
FUEL, EXHAUST AND EMISSION SYSTEMS.....	1.M
COOLING, HEATING AND AIR CONDITIONING.....	2.C
ELECTRICAL, WASHERS-WIPERS, INSTRUMENTS.....	2.E
CHASSIS, SUBFRAMES, BODY SHELL, FITTINGS.....	2.J
FASCIA, TRIM, SEATS AND FIXINGS.....	3.C
ACCESSORIES AND PAINT.....	3.J
NUMERICAL INDEX.....	3.K

GROUP INDEX

ENGINE 2.9 LITRE.....	C02
AUXILIARY SHAFT-PRIMARY CHAIN.....	C08
CAMSHAFT AND TAPPET BLOCK.....	C13
CRANKSHAFT AND MAIN BEARINGS.....	C05
CYLINDER BLOCK.....	C03
CYLINDER HEAD.....	C11
CYLINDER HEAD GASKET.....	C12
DRIVE BELTS.....	D06
EXHAUST MANIFOLD.....	D03
FRONT ENGINE MOUNTING.....	D08
GASKET SETS.....	D07
HYDRAULIC PUMP (P.A.B.).....	D05
INDUCTION MANIFOLD.....	D02
INLET VALVE.....	C11
INTERMEDIATE SHAFT AND CHAIN.....	C09
OIL COOLER.....	D09
OIL FEED PIPE-BREATHING CAP.....	C14
OIL FILTER.....	C15
OIL PRESSURE TRANSDUCER.....	C15
OIL PUMP AND CARRIER.....	C07

OIL SUMP AND DIPSTICK.....	C04
PISTON AND CONN RODS.....	C06
THERMOSTAT AND BY-PASS HOSE.....	C18
TIMING COVER.....	C10
TRANSMISSION ADAPTOR.....	D04
WATER PUMP.....	C16
WATER RAIL-HEATER RETURN HOSE.....	C17
WATER TEMPERATURE TRANSDUCER.....	C18
ENGINE 3.6 LITRE.....	D10
AUXILIARY SHAFT-PRIMARY CHAIN.....	D16
CAMSHAFT AND VALVES.....	E03
CRANKSHAFT AND MAIN BEARINGS.....	D13
CRANKSHAFT SPEED SENSOR.....	D18
CYLINDER BLOCK.....	D11
CYLINDER HEAD AND GASKET.....	E02
DRIVE BELTS.....	E13
EXHAUST MANIFOLD.....	E10
FRONT ENGINE MOUNTING.....	E15
GASKET SETS.....	E14
HYDRAULIC PUMP (P.A.B.).....	E12
INDUCTION MANIFOLD.....	E09
INTERMEDIATE SHAFT AND.....	D17

OIL COOLER.....	E16
OIL FILTER AND FILLER PIPE.....	E05
OIL PUMP AND CARRIER.....	D15
OIL SUMP AND DIPSTICK.....	D12
PISTON AND CONN RODS.....	D14
THERMOSTAT AND BY-PASS HOSE.....	E08
TIMING COVER.....	D18
TRANSMISSION ADAPTOR.....	E11
WATER PUMP.....	E06
WATER RAIL-HEATER RETURN HOSE.....	E07
WATER TEMPERATURE TRANSDUCER.....	E08

Illus Part Number

123456 Description

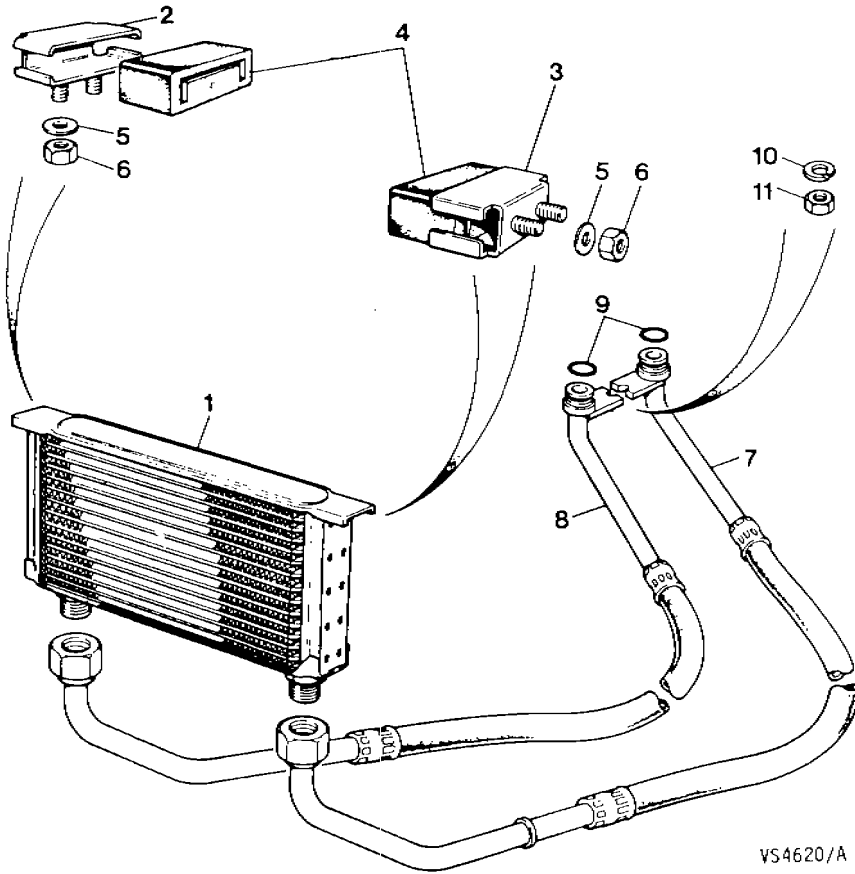
Quantity

Change Point

Remarks

ENGINE 3.6 LITRE-continued
OIL COOLER

1	CAC 8509	Oil Cooler.....	1		
2	CAC 8443	Mounting Bracket.....	1		
3	CAC 8442	Mounting Bracket.....	1		
4	CAC 8444	Mounting Rubber.....	2		
5	WA 106041 J	Washer.....	4		
6	NY 106041 J	Nut.....	4		
7	CBC 1310	Oil Feed Pipe.....	1		
8	CBC 1309	Oil Return Pipe.....	1		
9	CAC 5118	'O'-Ring.....	2		
10	WL 108001 J	Washer.....	1		
11	NH 108041 J	Nut.....	1		
	CAC 9074	Strap-rad mounting bracket.....	1		
	CAC 5537	Insulating bush.....	2		
	AZ 614051 J	Screw.....	1		
	WJ 106001 J	Washer.....	1		



VS4620/A

B104AK1/9/88

1E 16

VS4620A

MASTER INDEX

ENGINE.....	1.C
FLYWHEEL AND CLUTCH.....	1.F
GEARBOX AND PROPSHAFT.....	1.G
AXLES, SUSPENSION, DRIVE SHAFTS, WHEELS.....	1.I
STEERING.....	1.K
BRAKES AND BRAKE CONTROLS.....	1.L
FUEL, EXHAUST AND EMISSION SYSTEMS.....	1.M
COOLING, HEATING AND AIR CONDITIONING.....	2.C
ELECTRICAL, WASHERS-WIPERS, INSTRUMENTS.....	2.E
CHASSIS, SUBFRAMES, BODY SHELL, FITTINGS.....	2.J
FASCIA, TRIM, SEATS AND FIXINGS.....	3.C
ACCESSORIES AND PAINT.....	3.J
NUMERICAL INDEX.....	3.K

GROUP INDEX

ENGINE 2.9 LITRE.....	C02
AUXILIARY SHAFT-PRIMARY CHAIN.....	C08
CAMSHAFT AND TAPPET BLOCK.....	C13
CRANKSHAFT AND MAIN BEARINGS.....	C05
CYLINDER BLOCK.....	C03
CYLINDER HEAD.....	C11
CYLINDER HEAD GASKET.....	C12
DRIVE BELTS.....	D06
EXHAUST MANIFOLD.....	D03
FRONT ENGINE MOUNTING.....	D08
GASKET SETS.....	D07
HYDRAULIC PUMP (P.A.B.).....	D05
INDUCTION MANIFOLD.....	D02
INLET VALVE.....	C11
INTERMEDIATE SHAFT AND CHAIN.....	C09
OIL COOLER.....	D09
OIL FEED PIPE-BREATHING CAP.....	C14
OIL FILTER.....	C15
OIL PRESSURE TRANSDUCER.....	C15
OIL PUMP AND CARRIER.....	C07

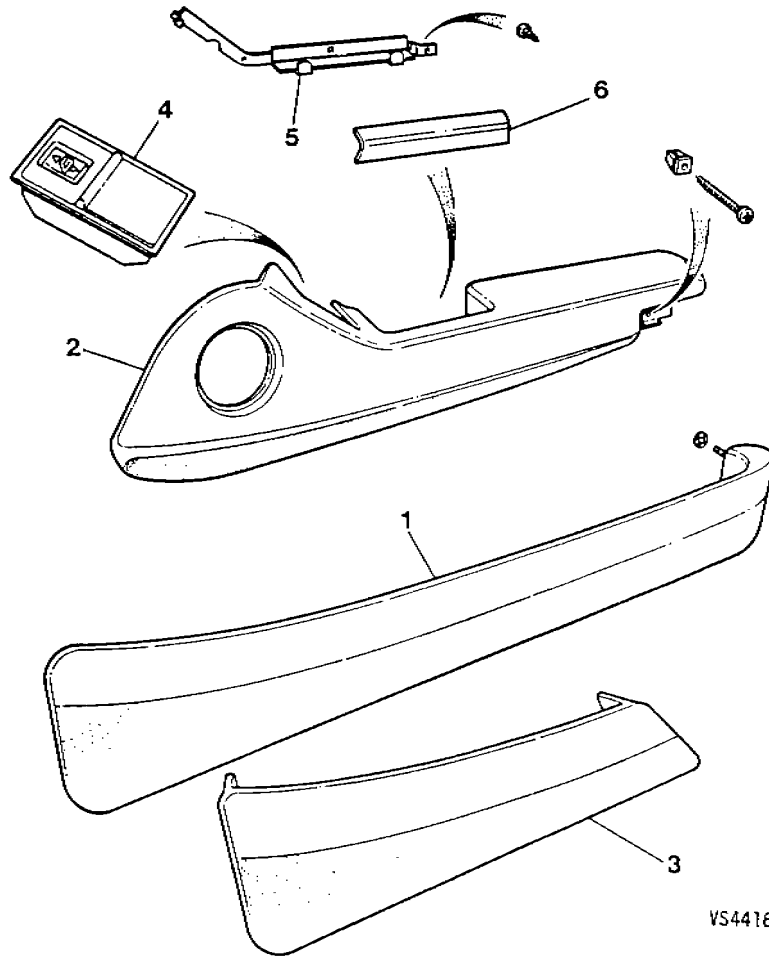
OIL SUMP AND DIPSTICK.....	C04
PISTON AND CONN RODS.....	C06
THERMOSTAT AND BY-PASS HOSE.....	C18
TIMING COVER.....	C10
TRANSMISSION ADAPTOR.....	D04
WATER PUMP.....	C16
WATER RAIL-HEATER RETURN HOSE.....	C17
WATER TEMPERATURE TRANSDUCER.....	C18
ENGINE 3.6 LITRE.....	D10
AUXILIARY SHAFT-PRIMARY CHAIN.....	D16
CAMSHAFT AND VALVES.....	E03
CRANKSHAFT AND MAIN BEARINGS.....	D13
CRANKSHAFT SPEED SENSOR.....	D18
CYLINDER BLOCK.....	D11
CYLINDER HEAD AND GASKET.....	E02
DRIVE BELTS.....	E13
EXHAUST MANIFOLD.....	E10
FRONT ENGINE MOUNTING.....	E15
GASKET SETS.....	E14
HYDRAULIC PUMP (P.A.B.).....	E12
INDUCTION MANIFOLD.....	E09
INTERMEDIATE SHAFT AND.....	D17

OIL COOLER.....	E16
OIL FILTER AND FILLER PIPE.....	E05
OIL PUMP AND CARRIER.....	D15
PISTON AND CONN RODS.....	D14
THERMOSTAT AND BY-PASS HOSE.....	E08
TIMING COVER.....	D18
TRANSMISSION ADAPTOR.....	E11
WATER PUMP.....	E06
WATER RAIL-HEATER RETURN HOSE.....	E07
WATER TEMPERATURE TRANSDUCER.....	E08

JAGUAR 2.9 AND 3.6 LITRE SALOONS

C09
fiche 3

FASCIA, TRIM, SEATS AND FIXINGS



Illus	Part Number	123456 Description	Quantity	Change Point	Remarks	
FRONT DOOR POCKETS.						
POCKET-FRONT DOOR RH						
1	BBC 9912 AW	Barley.....	1		Jag 290/360 Not USA/CDN	
1	BBC 9912 AE	Biscuit.....	1			
1	BBC 9912 AR	Buckskin.....	1			
1	BBC 9912 LY	Savile Grey.....	1			
1	BBC 9912 JF	Isis Blue.....	1			
1	BBC 9912 LZ	Warm Charcoal.....	1			
1	BBC 9912 CM	Mulberry.....	1			
1	BBC 9912 XE	Doeskin.....	1			
POCKET-FRONT DOOR LH						
	BBC 9913 AW	Barley.....	1			Jag 290/360 Not USA/CDN
	BBC 9913 AE	Biscuit.....	1			
	BBC 9913 AR	Buckskin.....	1			
	BBC 9913 LY	Savile Grey.....	1			
	BBC 9913 JF	Isis Blue.....	1			
	BBC 9913 LZ	Warm Charcoal.....	1			
	BBC 9913 CM	Mulberry.....	1			
	BBC 9913 XE	Doeskin.....	1			
POCKET-FRONT DOOR RH						
1	BCC 6752 AW	Barley.....	1		Jag 360 USA/CDN only & Sov 290/360	
1	BCC 6752 AE	Biscuit.....	1			
1	BCC 6752 AR	Buckskin.....	1			
1	BCC 6752 LY	Savile Grey.....	1			
1	BCC 6752 JF	Isis Blue.....	1			
1	BCC 6752 LZ	Warm Charcoal.....	1			
1	BCC 6752 CM	Mulberry.....	1			
1	BCC 6752 XE	Doeskin.....	1			
POCKET-FRONT DOOR LH						
	BCC 6753 AW	Barley.....	1			Jag 360 USA/CDN only & Sov 290/360
	BCC 6753 AE	Biscuit.....	1			
	BCC 6753 AR	Buckskin.....	1			
	BCC 6753 LY	Savile Grey.....	1			
	BCC 6753 JF	Isis Blue.....	1			
	BCC 6753 LZ	Warm Charcoal.....	1			
	BCC 6753 CM	Mulberry.....	1			
	BCC 6753 XE	Doeskin.....	1			

VS4416

VS4416

MASTER INDEX

ENGINE.....	1.C
FLYWHEEL AND CLUTCH.....	1.F
GEARBOX AND PROPSHAFT.....	1.G
AXLES, SUSPENSION, DRIVE SHAFTS, WHEELS.....	1.J
STEERING.....	1.K
BRAKES AND BRAKE CONTROLS.....	1.L
FUEL, EXHAUST AND EMISSION SYSTEMS.....	1.M
COOLING, HEATING AND AIR CONDITIONING.....	2.C
ELECTRICAL, WASHERS-WIPERS, INSTRUMENTS.....	2.E
CHASSIS, SUBFRAMES, BODY SHELL, FITTINGS.....	2.J
FASCIA, TRIM, SEATS AND FIXINGS.....	3.C
ACCESSORIES AND PAINT.....	3.J
NUMERICAL INDEX.....	3.K

GROUP INDEX

AIR DUCT/ECU COVER-SCUTTLE CASING.....	D08
ARMRESTS-FRONT AND REAR DOORS.....	C10
BOOT CARPET AND INSULATION.....	I02
CENTRE CONSOLE & ARMREST.....	D14
CONSOLE - REAR VENTILATION.....	E09
DOOR CASINGS REAR DOORS.....	C05
DOOR CASINGS-INNER-FRONT.....	C02
FASCIA.....	D02
FIGURED WALNUT.....	D05
FLOOR CARPETS.....	H11
FRONT DOOR POCKETS.....	C09
FRONT SEAT ADJUSTERS - ELECTRIC.....	G06
FRONT SEAT BELTS.....	H07
FRONT SEAT SLIDES-MANUAL.....	G05
GLOVEBOX ASSEMBLY.....	D05
PARCEL SHELF & SUNBLINDS.....	I03
REAR SEATS XJ6/SOV.....	G07
REAR-DOOR POCKETS.....	C11
ROOF LINING & CANTRAIL TRIM.....	E16
SEAT BELTS-REAR.....	H10

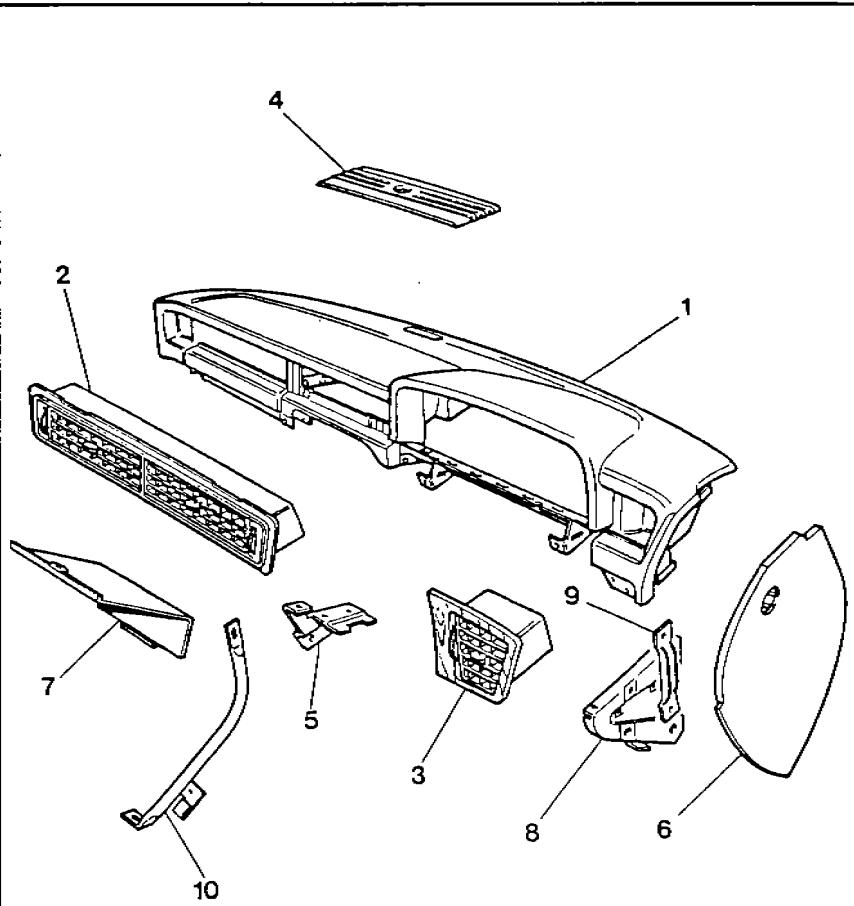
SIMULATED GOATSKIN RUGS.....	H17
SOUND INSULATION.....	H18

3C 09

JAGUAR 2.9 AND 3.6 LITRE SALOONS

D02
fiche 3

FASCIA, TRIM, SEATS AND FIXINGS



Illus	Part Number	123456	Description	Quantity	Change Point	Remarks
FACIA						
FACIA - SUB ASSEMBLY						
1	BCC 3796		XJ6/Sov-RHD (W Hyde)	NLA		Use BDC4866
	BDC 4866		XJ6/Sov-RHD (W Hyde)	1		
	BDC 6178		XJ6/Sov-RHD (Alkor)	1		
	BCC 3797		XJ6/Sov-LHD (W Hyde)	NLA		Use BDC4867
	BDC 4867		XJ6/Sov-LHD (W Hyde)	1		
	BDC 6179		XJ6/Sov-LHD (Alkor)	1		
	BCC 3794		Daimler - RHD (W Hyde)	NLA		Use BDC3806
	BDC 3806		Daimler - RHD (W Hyde)	1		
	BDC 6180		Daimler - RHD (W Hyde)	1		
	BCC 3795		Daimler/VDP - LHD (W Hyde)	NLA		Use BDC 3807
	BDC 3807		Daimler/VDP - LHD (W Hyde)	1		
2	BDC 6181		Daimler/VDP - LHD (Alkor)	1		
	BBC 3708		Centre vent-facia	1		
	BBC 4861	1	Seal-centre vent aperture	1		
	BCC 4649		Air valve & vac motor-centre vent	1		
SIDE VENT-FACIA						
3	BBC 7258		RH	NLA		Use BCC 6660
	BCC 6660		RH	1		
	BBC 7259		LH	NLA		Use BCC 6661
	BCC 6661		LH	1		
	BCC 4649		Air valve & vac motor-centre vent	1		
SIDE VENT-FACIA						
3	BBC 7258		RH	NLA		Use BCC 6660
	BCC 6660		RH	1		
	BBC 7259		LH	NLA		Use BCC 6661
	BCC 6661		LH	1		
4	BAC 6450		Cover-solar sensor	1		
	CAC 9246		Solar sensor-air con	1		
IN-CAR SENSOR-AIR CON						
	CAC 9249	1	RHD	NLA		Use CBC 5952
	CBC 5952		RHD	1		
	CAC 9249		LHD	NLA		Use CBC 5953
	CBC 5953		LHD	1		

VS46B2

VS4682

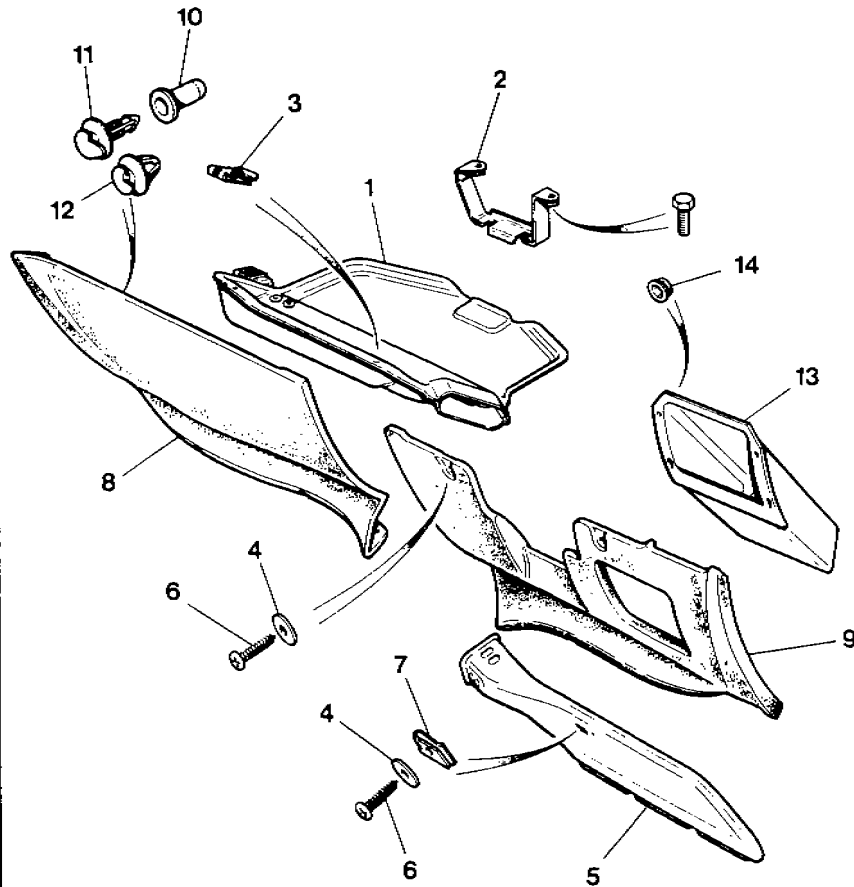
MASTER INDEX

ENGINE	1.C
FLYWHEEL AND CLUTCH	1.F
GEARBOX AND PROPSHAFT	1.G
AXLES, SUSPENSION, DRIVE SHAFTS, WHEELS	1.J
STEERING	1.K
BRAKES AND BRAKE CONTROLS	1.L
FUEL, EXHAUST AND EMISSION SYSTEMS	1.M
COOLING, HEATING AND AIR CONDITIONING	2.C
ELECTRICAL, WASHERS-WIPERS, INSTRUMENTS	2.E
CHASSIS, SUBFRAMES, BODYSHELL, FITTINGS	2.J
FASCIA, TRIM, SEATS AND FIXINGS	3.C
ACCESSORIES AND PAINT	3.J
NUMERICAL INDEX	3.K

GROUP INDEX

AIR DUCT/ECU COVER-SCUTTLE CASING	D08
ARMRESTS-FRONT AND REAR DOORS	C10
BOOT CARPET AND INSULATION	I02
CENTRE CONSOLE & ARMREST	D14
CONSOLE - REAR VENTILATION	E09
DOOR CASINGS REAR DOORS	C05
DOOR CASINGS-INNER-FRONT	C02
FACIA	D02
FIGURED WALNUT	D05
FLOOR CARPETS	H11
FRONT DOOR POCKETS	C09
FRONT SEAT ADJUSTERS - ELECTRIC	G06
FRONT SEAT BELTS	H07
FRONT SEAT SLIDES-MANUAL	G05
GLOVEBOX ASSEMBLY	D06
PARCEL SHELF & SUNBLINDS	I03
REAR SEATS XJ6/SOV	G07
REAR-DOOR POCKETS	C11
ROOF LINING & CANTRAIL TRIM	E16
SEAT BELTS-REAR	H10

SIMULATED GOATSKIN RUGS	H17
SOUND INSULATION	H18



Illus	Part Number	123456	Description	Quantity	Change Point	Remarks
SCUTTLE CASINGS - continued						
UNDERSCUTTLE PAD - RH - LHD						
BBC	9466 AW		Barley.....	NLA		Use BDC 3032 AW
BDC	3032 AW		Barley.....	NLA		Use BDC 6590 AW
BDC	6590 AW		Barley.....	1		
BBC	9466 AE		Biscuit.....	1		
BBC	9466 AR		Buckskin.....	NLA		Use BDC 3032 AR
BDC	3032 AR		Buckskin.....	NLA		Use BDC 6590 AR
BDC	6590 AR		Buckskin.....	1		
BBC	9466 LY		Savile Grey.....	NLA		Use BDC 3032 LY
BDC	3032 LY		Savile Grey.....	NLA		Use BDC 6590 LY
BDC	6590 LY		Savile Grey.....	1		
BBC	9466 JF		Isis Blue.....	NLA		Use BDC 3032 JF
BDC	3032 JF		Isis Blue.....	NLA		Use BDC 6590 JF
BDC	6590 JF		Isis Blue.....	1		
BBC	9466 LZ		Warm Charcoal.....	NLA		Use BDC 3032 LZ
BDC	3032 LZ		Warm Charcoal.....	NLA		Use BDC 6590 LZ
BDC	6590 LZ		Warm Charcoal.....	1		
BBC	9466 CM		Mulberry.....	NLA		Use BDC 3032 CM
BDC	3032 CM		Mulberry.....	NLA		Use BDC 6590 CM
BDC	6590 CM		Mulberry.....	1		
BBC	9466 XE		Doeskin.....	NLA		Use BDC 3032 XE
BDC	3032 XE		Doeskin.....	NLA		Use BDC 6590 XE
BDC	6590 XE		Doeskin.....	1		
BBC	9466 ZM		Magnolia.....	NLA		Use BDC 3032 ZM
BDC	3032 ZM		Magnolia.....	NLA		Use BDC 6590 ZM
BDC	6590 ZM		Magnolia.....	1		

VS4753/A

VS4753A

MASTER INDEX

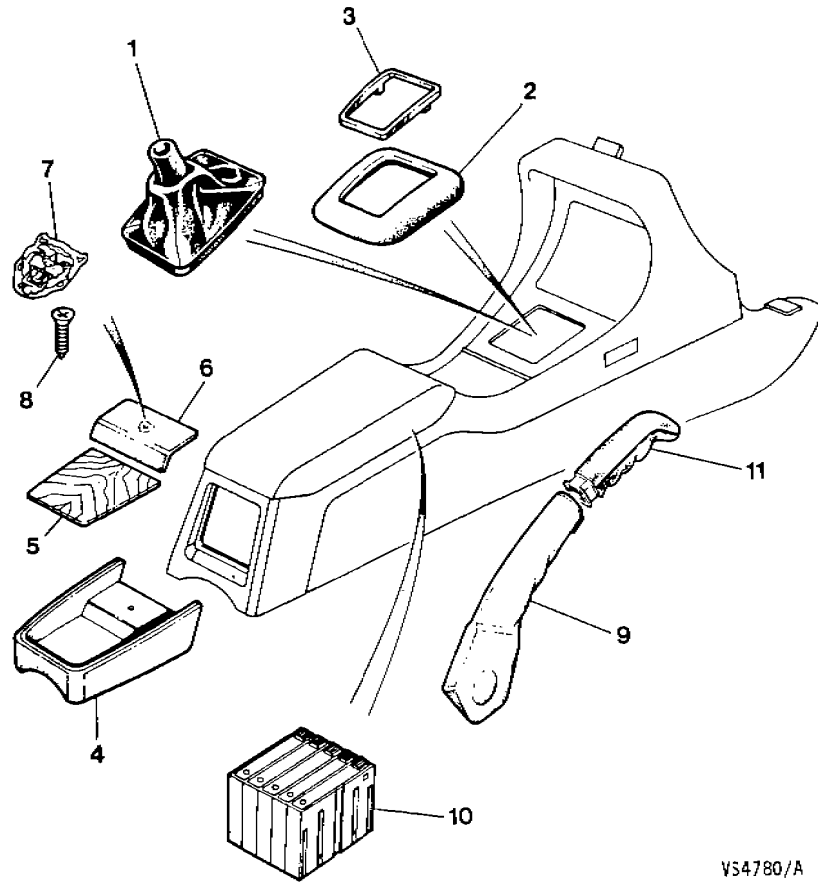
ENGINE.....	1.C
FLYWHEEL AND CLUTCH.....	1.F
GEARBOX AND PROPSHAFT.....	1.G
AXLES, SUSPENSION, DRIVE SHAFTS, WHEELS.....	1.I
STEERING.....	1.K
BRAKES AND BRAKE CONTROLS.....	1.L
FUEL, EXHAUST AND EMISSION SYSTEMS.....	1.M
COOLING, HEATING AND AIR CONDITIONING.....	2.C
ELECTRICAL, WASHERS-WIPERS, INSTRUMENTS.....	2.E
CHASSIS, SUBFRAMES, BODY SHELL, FITTINGS.....	2.J
FASCIA, TRIM, SEATS AND FIXINGS.....	3.C
ACCESSORIES AND PAINT.....	3.J
NUMERICAL INDEX.....	3.K

GROUP INDEX

AIR DUCT/ECU COVER-SCUTTLE CASING.....	D08
ARMRESTS-FRONT AND REAR DOORS.....	C10
BOOT CARPET AND INSULATION.....	I02
CENTRE CONSOLE & ARMREST.....	D14
CONSOLE - REAR VENTILATION.....	E09
DOOR CASINGS REAR DOORS.....	C05
DOOR CASINGS-INNER-FRONT.....	C02
FASCIA.....	D02
FIGURED WALNUT.....	D05
FLOOR CARPETS.....	H11
FRONT DOOR POCKETS.....	C09
FRONT SEAT ADJUSTERS - ELECTRIC.....	G06
FRONT SEAT BELTS.....	H07
FRONT SEAT SLIDES-MANUAL.....	G05
GLOVEBOX ASSEMBLY.....	D06
PARCEL SHELF & SUNBLINDS.....	I03
REAR SEATS XJ6/SOV.....	G07
REAR-DOOR POCKETS.....	C11
ROOF LINING & CANTRAIL TRIM.....	E16
SEAT BELTS-REAR.....	H10

SIMULATED GOATSKIN RUGS.....	H17
SOUND INSULATION.....	H18

Illus	Part Number	123456	Description	Quantity	Change Point	Remarks
CENTRE CONSOLE						
1	BBC 6064		Gaiter-gear lever-manual gearbox.....	1		
2	BCC 6239		Finisher-'J' gate-rubber.....	1		
3	BBC 4689		Retaining ring-'J' gate-chrome.....	1		
REAR EXTENSION CENTRE CONSOLE COMPLETE ASSEMBLY						
4	BBC 6591 AW		Barley.....	1		Daimler/VDP only
4	BBC 6591 AE		Biscuit.....	1		
4	BBC 6591 AR		Buckskin.....	1		
4	BBC 6591 LY		Savile Grey.....	1		
4	BBC 6591 JF		Isis Blue.....	1		
4	BBC 6591 LZ		Warm Charcoal.....	1		
4	BBC 6591 CM		Mulberry.....	1		
4	BBC 6591 XE		Doeskin.....	1		
4	BBC 6591 ZM		Magnolia.....	1		
5	BBC 6580		Console extension finisher assembly			
	JLM 1244		Burr Walnut veneer-Daimler/VDP.....	NLA		Use JLM 1244
			Matched Veneer Kit - Rear Vent			
			Finisher & Console Ext. Finisher.....	1		



VS4780/A

3E 05

VS4780A

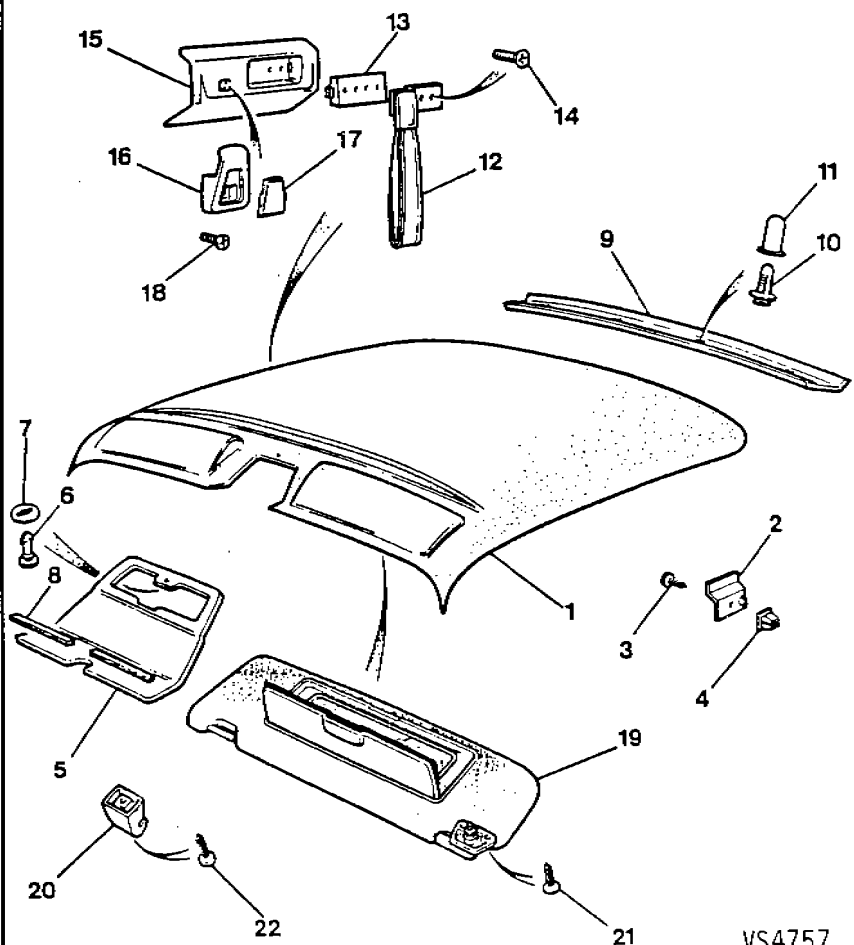
MASTER INDEX

ENGINE.....	1.C
FLYWHEEL AND CLUTCH.....	1.F
GEARBOX AND PROPSHAFT.....	1.G
AXLES, SUSPENSION, DRIVE SHAFTS, WHEELS.....	1.I
STEERING.....	1.K
BRAKES AND BRAKE CONTROLS.....	1.L
FUEL, EXHAUST AND EMISSION SYSTEMS.....	1.M
COOLING, HEATING AND AIR CONDITIONING.....	2.C
ELECTRICAL, WASHERS-WIPERS, INSTRUMENTS.....	2.E
CHASSIS, SUBFRAMES, BODY SHELL, FITTINGS.....	2.J
FASCIA, TRIM, SEATS AND FIXINGS.....	3.C
ACCESSORIES AND PAINT.....	3.J
NUMERICAL INDEX.....	3.K

GROUP INDEX

AIR DUCT/ECU COVER-SCUTTLE CASING.....	D08
ARMRESTS-FRONT AND REAR DOORS.....	C10
BOOT CARPET AND INSULATION.....	I02
CENTRE CONSOLE & ARMREST.....	D14
CONSOLE - REAR VENTILATION.....	E09
DOOR CASINGS REAR DOORS.....	C05
DOOR CASINGS-INNER-FRONT.....	C02
FASCIA.....	D02
FIGURED WALNUT.....	D05
FLOOR CARPETS.....	H11
FRONT DOOR POCKETS.....	C09
FRONT SEAT ADJUSTERS - ELECTRIC.....	G06
FRONT SEAT BELTS.....	H07
FRONT SEAT SLIDES-MANUAL.....	G05
GLOVEBOX ASSEMBLY.....	D06
PARCEL SHELF & SUNBLINDS.....	I03
REAR SEATS XJ6/SOV.....	G07
REAR-DOOR POCKETS.....	C11
ROOF LINING & CANTRAIL TRIM.....	E16
SEAT BELTS-REAR.....	H10

SIMULATED GOATSKIN RUGS.....	H17
SOUND INSULATION.....	H18



Illus	Part Number	Description	Quantity	Change Point	Remarks
ROOF LINING & CANTRAIL TRIM.					
FIXED ROOF					
1	BCC 6054 ND	Roof lining-fixed roof.....	NLA		Use BDC 9358
	BDC 9358	Roof lining-fixed roof.....	1		
2	BAC 6503	Fixing bracket.....	NLA		
3	AB 608031 J	ST screw.....	6] Fixing brkts to cantrail & rr hdr
4	CZH 619 J	Plastic nut.....	6		
ROOF CONSOLE-COMLETE					
	BBC 8614 ND	-XJ6/Sov-fixed roof.....	NLA		Use BDC 4662
	BDC 4662	-XJ6/Sov-fixed roof.....	1		
	BCC 7883 ND	-Daimler-fixed roof.....	NLA		Use BDC 4663
	BDC 4663	-Daimler-fixed roof.....	1		
	BBC 8615 ND	-XJ6/Sov-sliding roof.....	NLA		Use BDC 4660
	BDC 4660	-XJ6/Sov-sliding roof.....	1		
	BBC 7428 ND	-Daimler/VDP-sliding roof.....	NLA		Use BDC 4661
	BDC 4661	-Daimler/VDP-sliding roof.....	1		
	BBC 8620	Veneered Plate-Roof Console-Daimler & VDP only.....	1		
	BBC 4861 1	Sealing strip-1250mm.....	1		Cut to 85mm x 2
SLIDING ROOF					
	BCC 6055 ND	Roof lining-sliding roof.....	NLA		Use BDC 9359
	BDC 9359	Roof lining-sliding roof.....	1		
	BBC 7757	Flange fin-sliding roof aperture.....	1		
	BRC 3101	Clip-roof lining trim to aperture.....	12		
FIXINGS-ROOF CONSOLE					
	BBC 7222	Stud-Doeskin.....	1		
6	BBC 7531 PA	Stud-Black.....	1		
7	BD 46140 3	Washer.....	1		
	BAC 2756	Clip-stud retaining.....	1		
REAR HEADER ASSY. WITHOUT SUNBLINDS					
9	BBC 5770 XE	Doeskin.....	1		
REAR HEADER ASSY. WITH SUNBLINDS					
	BBC 5771 XE	Doeskin.....	1		
FIXINGS-REAR HEADER					
10	AFU 4137 J	Stud.....	4		
11	BMK 2117 J	Retainer-Stud.....	NLA		Use AGU 2338 J
	AGU 2388 J	Retainer-Stud.....	4		
SUNBLIND RETENTION BEZEL					
	BBC 2928 LZ	Warm Charcoal.....	NLA		Use BBC 2928 XE
	BBC 2928 XE	Doeskin.....	2		
	AC 606022 J	ST screw.....	2		Bezel to Rr HDR

M22RG16/8/88

3E 16

VS4757

VS4757

MASTER INDEX

ENGINE.....	1.C
FLYWHEEL AND CLUTCH.....	1.F
GEARBOX AND PROPSHAFT.....	1.G
AXLES, SUSPENSION, DRIVE SHAFTS, WHEELS.....	1.I
STEERING.....	1.K
BRAKES AND BRAKE CONTROLS.....	1.L
FUEL, EXHAUST AND EMISSION SYSTEMS.....	1.M
COOLING, HEATING AND AIR CONDITIONING.....	2.C
ELECTRICAL, WASHERS-WIPERS, INSTRUMENTS.....	2.E
CHASSIS, SUBFRAMES, BODY SHELL, FITTINGS.....	2.J
FASCIA, TRIM, SEATS AND FIXINGS.....	3.C
ACCESSORIES AND PAINT.....	3.J
NUMERICAL INDEX.....	3.K

GROUP INDEX

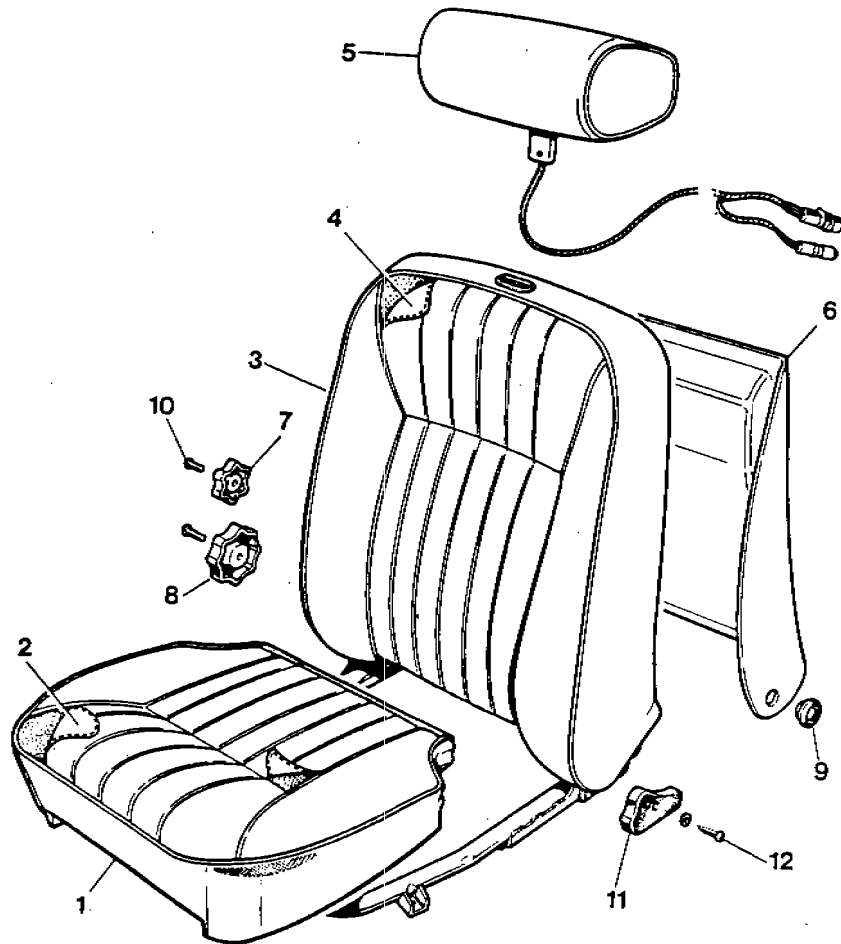
AIR DUCT/ECU COVER-SCUTTLE CASING.....	D08
ARMRESTS-FRONT AND REAR DOORS.....	C10
BOOT CARPET AND INSULATION.....	I02
CENTRE CONSOLE & ARMREST.....	D14
CONSOLE - REAR VENTILATION.....	E09
DOOR CASINGS REAR DOORS.....	C05
DOOR CASINGS-INNER-FRONT.....	C02
FASCIA.....	D02
FIGURED WALNUT.....	D05
FLOOR CARPETS.....	H11
FRONT DOOR POCKETS.....	C09
FRONT SEAT ADJUSTERS - ELECTRIC.....	G06
FRONT SEAT BELTS.....	H07
FRONT SEAT SLIDES-MANUAL.....	G05
GLOVEBOX ASSEMBLY.....	D06
PARCEL SHELF & SUNBLINDS.....	I03
REAR SEATS XJ6/SOV.....	G07
REAR-DOOR POCKETS.....	C11
ROOF LINING & CANTRAIL TRIM.....	E16
SEAT BELTS-REAR.....	H10

SIMULATED GOATSKIN RUGS.....	H17
SOUND INSULATION.....	H18

JAGUAR 2.9 AND 3.6 LITRE SALOONS

F09
fiche 3

FASCIA, TRIM, SEATS AND FIXINGS



Illus	Part Number	123456	Description	Quantity	Change Point	Remarks
FRONT SEATS XJ6/SOVEREIGN						
HEAD RESTRAINT - CLOTH TRIMMED WITH TRIMMED LAMP ESCUTHEON						
5	BBC 6166 AX		Cotswold.....	2	-----] Cloth trim
	BBC 6166 YF		Cheviot.....	2		
	BBC 6166 YE		Pennine.....	2		
	BBC 6166 AY		Chiltern.....	2		
HEAD RESTRAINT - CLOTH TRIMMED W/OUT TRIMMED ESCUTHEON						
	BDC 5711 YF		Cheviot.....	2	-----] Cloth trim
	BDC 5711 AY		Chiltern.....	2		
	BDC 5711 AX		Cotswold.....	2		
	BDC 5711 YE		Pennine.....	2		
ESCUTHEON/FIXING BRKT-TRIMMED MAP/READING LAMP FRT H/REST						
	BBC 6175 AX		Cotswold.....	1	-----] Cloth trim
	BBC 6175 YF		Cheviot.....	1		
	BBC 6175 YE		Pennine.....	1		
	BBC 6175 AY		Chiltern.....	1		

3 F 09

VS4413

VS4413

MASTER INDEX

ENGINE.....	1.C
FLYWHEEL AND CLUTCH.....	1.F
GEARBOX AND PROPSHAFT.....	1.G
AXLES, SUSPENSION, DRIVE SHAFTS, WHEELS.....	1.I
STEERING.....	1.K
BRAKES AND BRAKE CONTROLS.....	1.L
FUEL, EXHAUST AND EMISSION SYSTEMS.....	1.M
COOLING, HEATING AND AIR CONDITIONING.....	2.C
ELECTRICAL, WASHERS-WIPERS, INSTRUMENTS.....	2.E
CHASSIS, SUBFRAMES, BODY SHELL, FITTINGS.....	2.J
FASCIA, TRIM, SEATS AND FIXINGS.....	3.C
ACCESSORIES AND PAINT.....	3.J
NUMERICAL INDEX.....	3.K

GROUP INDEX

AIR DUCT/ECU COVER-SCUTTLE CASING.....	D08
ARMRESTS-FRONT AND REAR DOORS.....	C10
BOOT CARPET AND INSULATION.....	I02
CENTRE CONSOLE & ARMREST.....	D14
CONSOLE - REAR VENTILATION.....	E09
DOOR CASINGS REAR DOORS.....	C05
DOOR CASINGS-INNER-FRONT.....	C02
FASCIA.....	D02
FIGURED WALNUT.....	D05
FLOOR CARPETS.....	H11
FRONT DOOR POCKETS.....	C09
FRONT SEAT ADJUSTERS - ELECTRIC.....	G06
FRONT SEAT BELTS.....	H07
FRONT SEAT SLIDES-MANUAL.....	G05
GLOVEBOX ASSEMBLY.....	D06
PARCEL SHELF & SUNBLINDS.....	I03
REAR SEATS XJ6/SOV.....	G07
REAR-DOOR POCKETS.....	C11
ROOF LINING & CANTRAIL TRIM.....	E16
SEAT BELTS-REAR.....	H10

SIMULATED GOATSKIN RUGS.....	H17
SOUND INSULATION.....	H18

Illus Part Number 123456 Description Quantity Change Point Remarks

FRONT SEATS-DAIMLER/VDP-continued.

SQUAB BACKCOVER-RH

BCC	5462 AW	Barley.....	1		
BCC	5462 AW	Biscuit.....	1		
BCC	5462 AR	Buckskin.....	1		
BCC	5462 LY	Savile Grey.....	1		
BCC	5462 JF	Isis Blue.....	1		
BCC	5462 LZ	Warm Charcoal.....	1		
BCC	5462 CM	Mulberry.....	1		
BCC	5462 XE	Doeskin.....	1		
BCC	5462 ZM	Magnolia.....	1		

SQUAB BACKCOVER-LH

6	BCC	5463 AW	Barley.....	1	
	BCC	5463 AE	Biscuit.....	1	
	BCC	5463 AR	Buckskin.....	1	
	BCC	5463 LY	Savile Grey.....	1	
	BCC	5463 JF	Isis Blue.....	1	
	BCC	5463 LZ	Warm Charcoal.....	1	
	BCC	5463 CM	Mulberry.....	1	
	BCC	5463 XE	Doeskin.....	1	
	BCC	5463 ZM	Magnolia.....	1	

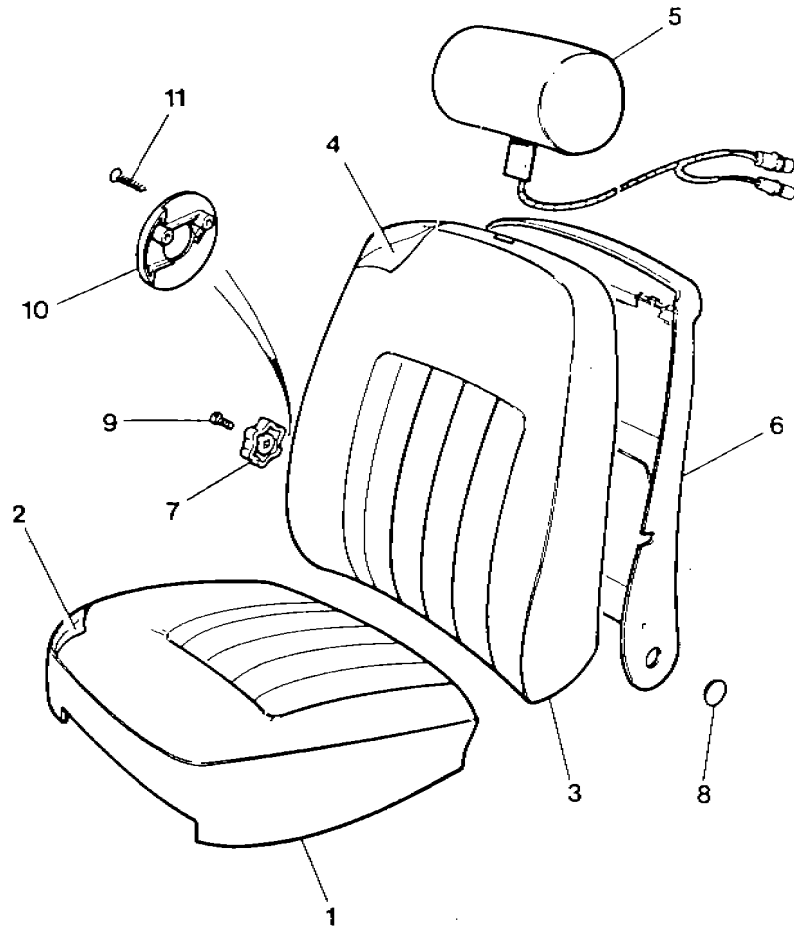
7	BAC	4520	Handwheel-Lumbar Support.....	1	
	BAC	2698	Plug-Actuating Knob-Lumbar.....	1	
8	BBC	4798	Attach Cap-Back Cover.....	1	
	BAC	6758	Plug-Cap-Back Cover.....	2	
9	BD	43367 1	Taplite Screw-Pozil Pan Head.....	1	

	BBC	4761	Spacer-Backcover.....	1	
	BCC	2936	Squab Cushion Frame Cover-RH.....	1	
	BCC	2937	Squab Cushion Frame Cover-LH.....	1	
	SE	105104 J	Rec. ND. Pan. HD. Screw M5.....	2	

..... Fixing Item 8 to Squab Assy

..... Fixing Item 11 to Squab Assy

M24.32RG13/9/88



VS4655/A

VS4655A

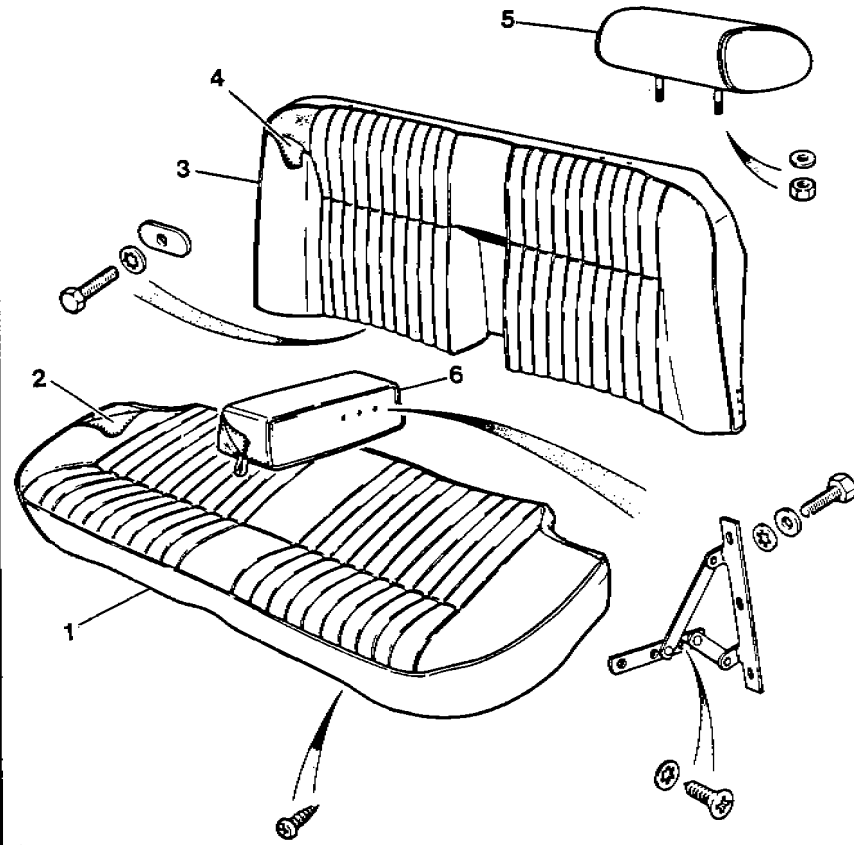
MASTER INDEX

ENGINE.....	1.C
FLYWHEEL AND CLUTCH.....	1.F
GEARBOX AND PROPSHAFT.....	1.G
AXLES, SUSPENSION, DRIVE SHAFTS, WHEELS.....	1.I
STEERING.....	1.K
BRAKES AND BRAKE CONTROLS.....	1.L
FUEL, EXHAUST AND EMISSION SYSTEMS.....	1.M
COOLING, HEATING AND AIR CONDITIONING.....	2.C
ELECTRICAL, WASHERS-WIPERS, INSTRUMENTS.....	2.E
CHASSIS, SUBFRAMES, BODY SHELL, FITTINGS.....	2.J
FASCIA, TRIM, SEATS AND FIXINGS.....	3.C
ACCESSORIES AND PAINT.....	3.J
NUMERICAL INDEX.....	3.K

GROUP INDEX

AIR DUCT/ECU COVER-SCUTTLE CASING.....	D08
ARMRESTS-FRONT AND REAR DOORS.....	C10
BOOT CARPET AND INSULATION.....	I02
CENTRE CONSOLE & ARMREST.....	D14
CONSOLE - REAR VENTILATION.....	E09
DOOR CASINGS REAR DOORS.....	C05
DOOR CASINGS-INNER-FRONT.....	C02
FASCIA.....	D02
FIGURED WALNUT.....	D05
FLOOR CARPETS.....	H11
FRONT DOOR POCKETS.....	C09
FRONT SEAT ADJUSTERS - ELECTRIC.....	G06
FRONT SEAT BELTS.....	H07
FRONT SEAT SLIDES-MANUAL.....	G05
GLOVEBOX ASSEMBLY.....	D06
PARCEL SHELF & SUNBLINDS.....	I03
REAR SEATS XJ6/SOV.....	G07
REAR-DOOR POCKETS.....	C11
ROOF LINING & CANTRAIL TRIM.....	E16
SEAT BELTS-REAR.....	H10

SIMULATED GOATSKIN RUGS.....	H17
SOUND INSULATION.....	H18



VS4412

Illus	Part Number	123456	Description	Quantity	Change Point	Remarks
			REAR SEATS XJ6 & SOVEREIGN			
			TRIM COVER-REAR SEAT SQUAB-			
			LEATHER TRIM			
4	BBC 7890 AW		Barley.....	NLA		Use BCC 8348 AW
	BCC 8348 AW		Barley.....	1		
4	BBC 7890 AE		Biscuit.....	1		
4	BBC 7890 AR		Buckskin.....	NLA		Use BCC 8348 AR
	BCC 8348 AR		Buckskin.....	1		
4	BBC 7890 LY		Savile Grey.....	NLA		Use BCC 8348 LY
	BCC 8348 LY		Savile Grey.....	1		
4	BBC 7890 JF		Isis Blue.....	NLA		Use BCC 8348 JF
	BCC 8348 JF		Isis Blue.....	1		
4	BBC 7890 LZ		Warm Charcoal.....	NLA		Use BCC 8348 LZ
	BCC 8348 LZ		Warm Charcoal.....	1		
4	BBC 7890 CM		Mulberry.....	NLA		Use BCC 8348 CM
	BCC 8348 CM		Mulberry.....	1		
4	BBC 7890 XE		Doeskin.....	NLA		Use BCC 8348 XE
	BCC 8348 XE		Doeskin.....	1		

3G 12

VS4412

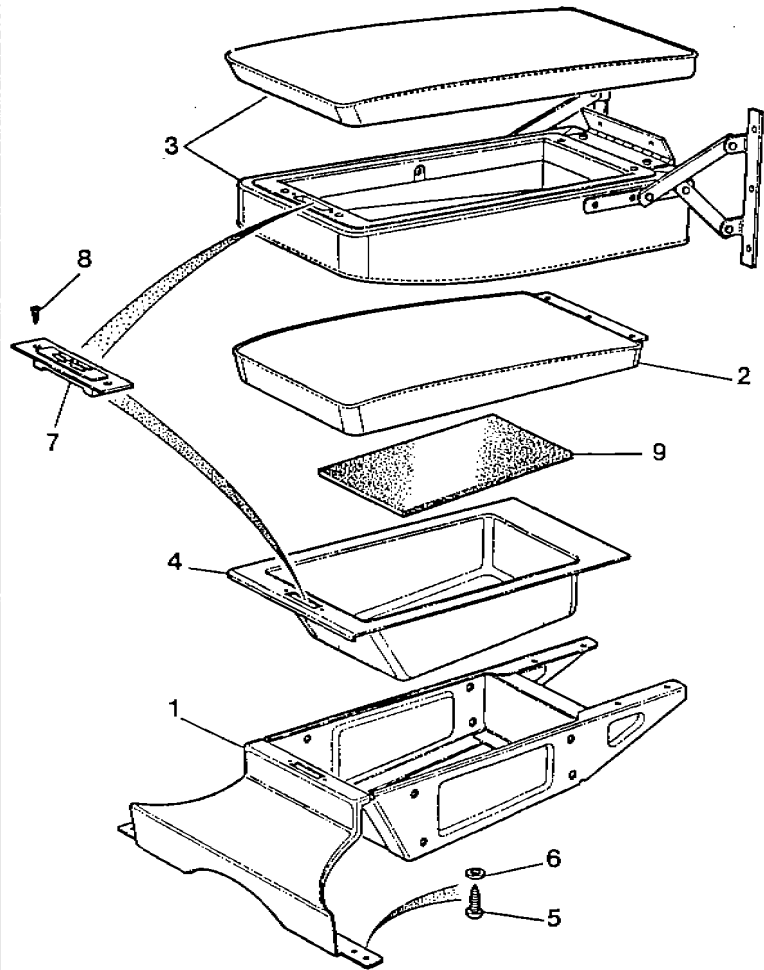
MASTER INDEX

ENGINE.....	1.C
FLYWHEEL AND CLUTCH.....	1.F
GEARBOX AND PROPSHAFT.....	1.G
AXLES, SUSPENSION, DRIVE SHAFTS, WHEELS.....	1.I
STEERING.....	1.K
BRAKES AND BRAKE CONTROLS.....	1.L
FUEL, EXHAUST AND EMISSION SYSTEMS.....	1.M
COOLING, HEATING AND AIR CONDITIONING.....	2.C
ELECTRICAL, WASHERS-WIPERS, INSTRUMENTS.....	2.E
CHASSIS, SUBFRAMES, BODY SHELL, FITTINGS.....	2.J
FASCIA, TRIM, SEATS AND FIXINGS.....	3.C
ACCESSORIES AND PAINT.....	3.J
NUMERICAL INDEX.....	3.K

GROUP INDEX

AIR DUCT/ECU COVER-SCUTTLE CASING.....	D08
ARMRESTS-FRONT AND REAR DOORS.....	C10
BOOT CARPET AND INSULATION.....	I02
CENTRE CONSOLE & ARMREST.....	D14
CONSOLE - REAR VENTILATION.....	E09
DOOR CASINGS REAR DOORS.....	C05
DOOR CASINGS-INNER-FRONT.....	C02
FASCIA.....	D02
FIGURED WALNUT.....	D05
FLOOR CARPETS.....	H11
FRONT DOOR POCKETS.....	C09
FRONT SEAT ADJUSTERS - ELECTRIC.....	G06
FRONT SEAT BELTS.....	H07
FRONT SEAT SLIDES-MANUAL.....	G05
GLOVEBOX ASSEMBLY.....	D06
PARCEL SHELF & SUNBLINDS.....	I03
REAR SEATS XJ6/SOV.....	G07
REAR-DOOR POCKETS.....	C11
ROOF LINING & CANTRAIL TRIM.....	E16
SEAT BELTS-REAR.....	H10

SIMULATED GOATSKIN RUGS.....	H17
SOUND INSULATION.....	H18



Illus	Part Number	123456 Description	Quantity	Change Point	Remarks
ARMREST & CUBBY BOX-DAIM/VDP					
ARMREST COMPLETE-REAR SQUAB					
BBC	7835 AW	Barley.....	1		
BBC	7835 AE	Biscuit.....	1		
BBC	7835 AR	Buckskin.....	1		
BBC	7835 LY	Savile Grey.....	1		
BBC	7835 JF	Isis Blue.....	1		
BBC	7835 LZ	Warm Charcoal.....	1		
BBC	7835 CM	Mulberry.....	1		
BBC	7835 XE	Doeskin.....	1		
BBC	7835 ZM	Magnolia.....	1		
CLOSING PANEL					
BBC	7809 AW	Barley.....	1		
BBC	7809 AE	Biscuit.....	1		
BBC	7809 AR	Buckskin.....	1		
BBC	7809 LY	Savile Grey.....	1		
BBC	7809 JF	Isis Blue.....	1		
BBC	7809 LZ	Warm Charcoal.....	1		
BBC	7809 CM	Mulberry.....	1		
BBC	7809 XE	Doeskin.....	1		
BBC	7809 ZM	Magnolia.....	1		

Cubby box lid
to squab back
panel

3H 05

VS4729

VS4729

MASTER INDEX

ENGINE.....	1.C
FLYWHEEL AND CLUTCH.....	1.F
GEARBOX AND PROPSHAFT.....	1.G
AXLES, SUSPENSION, DRIVE SHAFTS, WHEELS.....	1.J
STEERING.....	1.K
BRAKES AND BRAKE CONTROLS.....	1.L
FUEL, EXHAUST AND EMISSION SYSTEMS.....	1.M
COOLING, HEATING AND AIR CONDITIONING.....	2.C
ELECTRICAL, WASHERS-WIPERS, INSTRUMENTS.....	2.E
CHASSIS, SUBFRAMES, BODY SHELL, FITTINGS.....	2.J
FASCIA, TRIM, SEATS AND FIXINGS.....	3.C
ACCESSORIES AND PAINT.....	3.J
NUMERICAL INDEX.....	3.K

GROUP INDEX

AIR DUCT/ECU COVER-SCUTTLE CASING.....	D08
ARMRESTS-FRONT AND REAR DOORS.....	C10
BOOT CARPET AND INSULATION.....	I02
CENTRE CONSOLE & ARMREST.....	D14
CONSOLE - REAR VENTILATION.....	E09
DOOR CASINGS REAR DOORS.....	C05
DOOR CASINGS-INNER-FRONT.....	C02
FASCIA.....	D02
FIGURED WALNUT.....	D05
FLOOR CARPETS.....	H11
FRONT DOOR POCKETS.....	C09
FRONT SEAT ADJUSTERS - ELECTRIC.....	G06
FRONT SEAT BELTS.....	H07
FRONT SEAT SLIDES-MANUAL.....	G05
GLOVEBOX ASSEMBLY.....	D06
PARCEL SHELF & SUNBLINDS.....	I03
REAR SEATS XJ6/SOV.....	G07
REAR-DOOR POCKETS.....	C11
ROOF LINING & CANTRAIL TRIM.....	E16
SEAT BELTS-REAR.....	H10

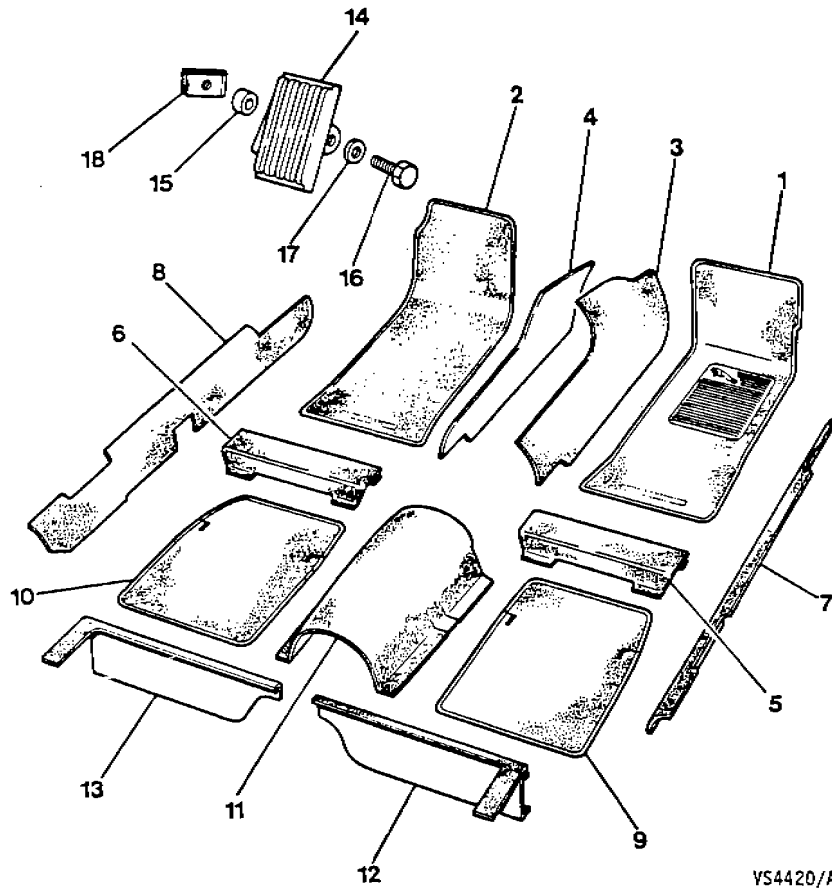
SIMULATED GOATSKIN RUGS.....	H17
SOUND INSULATION.....	H18

JAGUAR 2.9 AND 3.6 LITRE SALOONS

H15
fiche 3

FASCIA, TRIM, SEATS AND FIXINGS

Illus	Part Number	123456 Description	Quantity	Change Point	Remarks
FLOOR CARPETS-continued.					
CARPET-HEELBOARD-RH					
12	BCC 5452 AP	Mink	NLA		Use BDC 6688 AP
	BDC 6688 AP	Mink	1		
	BCC 5452 XF	Rattan	NLA		Use BDC 6688 XF
	BDC 6688 XF	Rattan	1		
	BCC 5452 LE	Slate	NLA		Use BDC 6688 LE
	BDC 6688 LE	Slate	1		
	BCC 5452 XA	Smoke Grey	NLA		Use BDC 6688 XA
	BDC 6688 XA	Smoke Grey	1		
	BCC 5452 CN	Wine Red	NLA		Use BDC 6688 CN
	BDC 6688 CN	Wine Red	1		
CARPET HEELBOARD - LH					
13	BCC 5453 AP	Mink	NLA		Use BDC 6689 AP
	BDC 6689 AP	Mink	1		
	BCC 5453 XF	Rattan	NLA		Use BDC 6689 XF
	BDC 6689 XF	Rattan	1		
	BCC 5453 LE	Slate	NLA		Use BDC 6689 LE
	BDC 6689 LE	Slate	1		
	BCC 5453 XA	Smoke Grey	NLA		Use BDC 6689 XA
	BDC 6689 XA	Smoke Grey	1		
	BCC 5453 CN	Wine Red	NLA		Use BDC 6689 CN
	BDC 6689 CN	Wine Red	1		



VS4420/A

VS4420A

MASTER INDEX

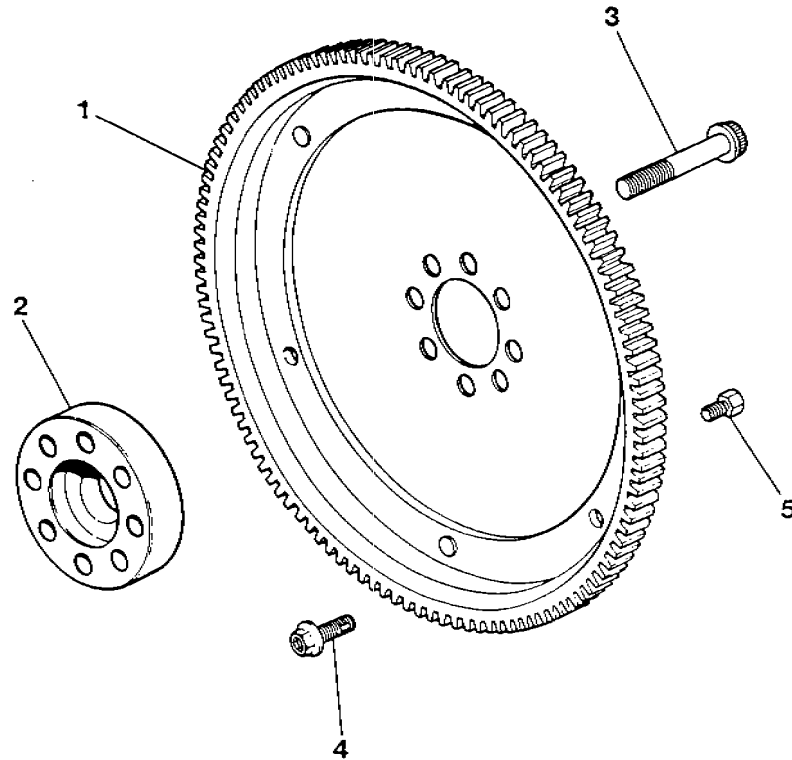
ENGINE	1.C
FLYWHEEL AND CLUTCH	1.F
GEARBOX AND PROPSHAFT	1.G
AXLES, SUSPENSION, DRIVE SHAFTS, WHEELS	1.I
STEERING	1.K
BRAKES AND BRAKE CONTROLS	1.L
FUEL, EXHAUST AND EMISSION SYSTEMS	1.M
COOLING, HEATING AND AIR CONDITIONING	2.C
ELECTRICAL, WASHERS-WIPERS, INSTRUMENTS	2.E
CHASSIS, SUBFRAMES, BODY SHELL, FITTINGS	2.J
FASCIA, TRIM, SEATS AND FIXINGS	3.C
ACCESSORIES AND PAINT	3.J
NUMERICAL INDEX	3.K

GROUP INDEX

AIR DUCT/ECU COVER-SCUTTLE CASING	D08
ARMRESTS-FRONT AND REAR DOORS	C10
BOOT CARPET AND INSULATION	I02
CENTRE CONSOLE & ARMREST	D14
CONSOLE - REAR VENTILATION	E09
DOOR CASINGS REAR DOORS	C05
DOOR CASINGS-INNER-FRONT	C02
FASCIA	D02
FIGURED WALNUT	D05
FLOOR CARPETS	H11
FRONT DOOR POCKETS	C09
FRONT SEAT ADJUSTERS - ELECTRIC	G06
FRONT SEAT BELTS	H07
FRONT SEAT SLIDES-MANUAL	G05
GLOVEBOX ASSEMBLY	D06
PARCEL SHELF & SUNBLINDS	I03
REAR SEATS XJ6/SOV	G07
REAR DOOR POCKETS	C11
ROOF LINING & CANTRAIL TRIM	E16
SEAT BELTS-REAR	H10

SIMULATED GOATSKIN RUGS	H17
SOUND INSULATION	H18

Illus	Part Number	123456 Description	Quantity	Change Point	Remarks
DRIVEPLATE-AUTOMATIC GEARBOX					
1	EAC 9961	Driveplate assembly.....	1		
5	EAC 9798	Bolt (balancing).....	1	Up to Eng No 104355	2.9 Litre
5	EAC 9799	Bolt (balancing).....	1	Up to Eng No 128810	3.6 Litre
2	EAC 4619	Adaptor.....	1	Up to Eng No 139065	
3	EAC 4620	Screw-driveplate to crankshaft.....	8	(3.6)	
2	EBC 1908	Adaptor.....	1	From Eng No 139066	
3	EBC 1939	Screw-driveplate to crankshaft.....	8	(3.6)	
4	EAC 5580	Bolt-driveplate to converter.....	3		



VS3684/A

VS3684A

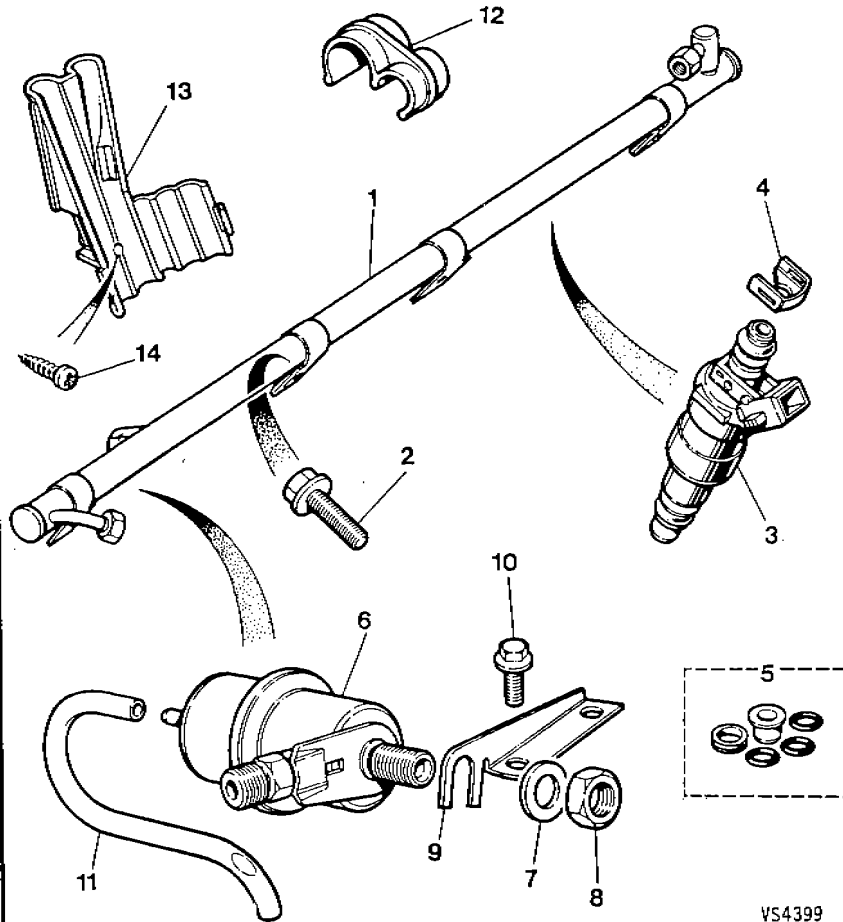
MASTER INDEX

ENGINE.....	1.C
FLYWHEEL AND CLUTCH.....	1.F
GEARBOX AND PROPSHAFT.....	1.G
AXLES, SUSPENSION, DRIVE SHAFTS, WHEELS.....	1.J
STEERING.....	1.K
BRAKES AND BRAKE CONTROLS.....	1.L
FUEL, EXHAUST AND EMISSION SYSTEMS.....	1.M
COOLING, HEATING AND AIR CONDITIONING.....	2.C
ELECTRICAL, WASHERS-WIPERS, INSTRUMENTS.....	2.E
CHASSIS, SUBFRAMES, BODY SHELL, FITTINGS.....	2.J
FASCIA, TRIM, SEATS AND FIXINGS.....	3.C
ACCESSORIES AND PAINT.....	3.J
NUMERICAL INDEX.....	3.K

GROUP INDEX

CLUTCH MASTER CYLINDER.....	F05
CLUTCH MECHANISM-MAN.GEARBOX.....	F04
DRIVEPLATE-AUTOMATIC GEARBOX.....	F03
FLYWHEEL AND CLUTCH-MAN. GEARBOX.....	F02

Illus	Part Number	123456	Description	Quantity	Change Point	Remarks
			FUEL RAIL-INJECTORS(3.6 LITRE).			
1	EAC 9690		Fuel rail.....	1		
2	FS 106141 J		Setscrew-securing fuel rail.....	4		
3	EAC 4867		Fuel injector.....	6		
4	EAC 4579		Clip-injector to fuel rail.....	6		
5	EAC 5901		'O'-Ring kit(injector).....	6		
6	EAC 6314		Fuel pressure regulator.....	1		
7	WB 114001 J		Washer.....	1		
8	AGU 1329 J		Nut-regulator to bracket.....	1		
9	EAC 6278		Mounting bracket.....	1		
10	FS 106141 J		Setscrew-securing bracket.....	2		
11	EAC 8022 30		Hose-regulator to manifold.....	1		
12	EAC 6995		Clip-fuel hose.....	2		
13	EAC 6996		Guide-fuel hose.....	1		
14	AB 612051 J		Screw-securing guide.....	1		



VS4399

VS 4399

IM 07

MASTER INDEX

ENGINE.....	1.C
FLYWHEEL AND CLUTCH.....	1.F
GEARBOX AND PROPSHAFT.....	1.G
AXLES, SUSPENSION, DRIVE SHAFTS, WHEELS.....	1.I
STEERING.....	1.K
BRAKES AND BRAKE CONTROLS.....	1.L
FUEL, EXHAUST AND EMISSION SYSTEMS.....	1.M
COOLING, HEATING AND AIR CONDITIONING.....	2.C
ELECTRICAL, WASHERS-WIPERS, INSTRUMENTS.....	2.E
CHASSIS, SUBFRAMES, BODY SHELL, FITTINGS.....	2.J
FASCIA, TRIM, SEATS AND FIXINGS.....	3.C
ACCESSORIES AND PAINT.....	3.J
NUMERICAL INDEX.....	3.K

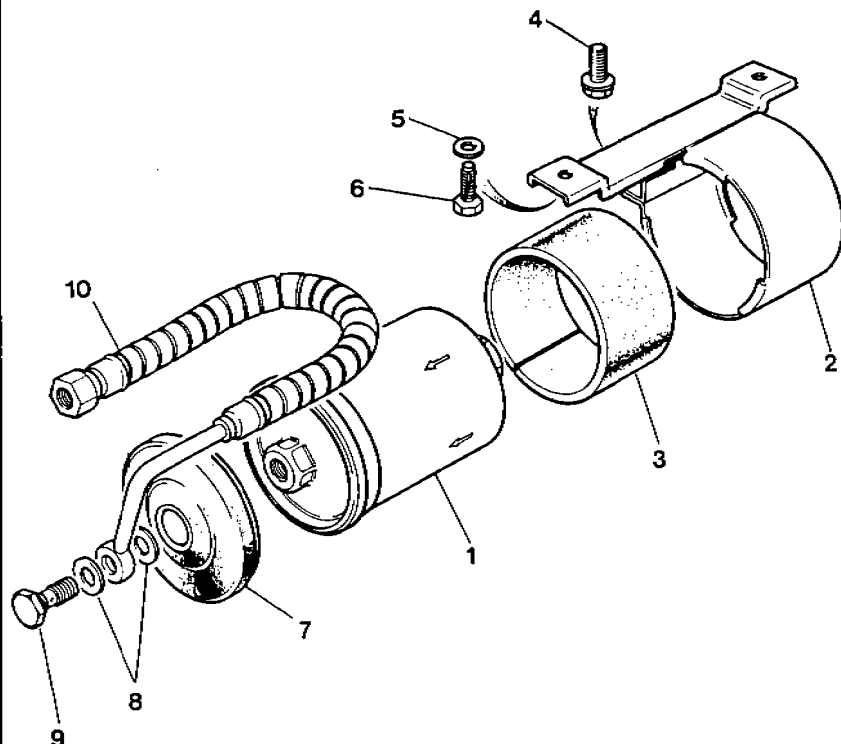
GROUP INDEX

ACCELERATOR PEDAL & CABLE.....	N04
AIR CLEANER.....	M02
AIR PUMP(3.6 LITRE).....	M13
AIRBOX-AIR FLOWMETER.....	M03
CARBON CANISTER.....	N05
ENGINE BREATHING (2.9 LITRE).....	M11
ENGINE BREATHING (3.6 LITRE).....	M12
EXHAUST HEATSHIELDS.....	N17
EXHAUSTS REAR-ALL CATALYST MARKETS.....	N14
EXHAUSTS REAR-NON CATALYST MARKETS.....	N13
EXHAUSTS-REAR(JAPAN ONLY).....	N15
FRONT EXHAUST & CATALYST.....	N12
FRONT EXHAUST PIPES-NON CATALYST MARKETS.....	N09
FUEL FILTER.....	M18
FUEL PIPES.....	M16
FUEL PUMP & MOUNTINGS.....	M17
FUEL RAIL-INJECTORS(2.9 LITRE).....	M06
FUEL RAIL-INJECTORS(3.6 LITRE).....	M07
FUEL VAPOUR SYSTEM.....	N08
IDLE AIR VALVE(3.6 LITRE).....	M05

IDLE SPEED ACTUATOR(2.9 LITRE).....	M04
PETROL FILLER, CAP AND HOSES.....	N03
PETROL TANK.....	N02
THROTTLE BODY (3.6 LITRE).....	M09
THROTTLE BODY(2.9 LITRE).....	M08
THROTTLE LINKAGE.....	M10

..... 63" lengths

Illus	Part Number	123456 Description	Quantity	Change Point	Remarks
FUEL FILTER.					
1	CAC 9630	Fuel filter.....	1		
2	CBC 2028	Mounting bracket.....	NLA		Use CBC7234
	CBC 7234	Mounting bracket.....	1		
3	CAC 9864	Mounting rubber.....	1		
4	FS 106161 J	Flange head screw.....	1		
5	WA 106041 J	Washer.....	3		
6	GG 106161 J	Paint clearing screw.....	2		
7	CAC 8128	Stoneguard.....	1		
8	CBC 2689	Copper washer.....	NLA		Use CBC 6461
	CBC 6461	Bonded seal.....	2		
9	CAC 7859	Banjo bolt.....	1		
10	CBC 2578	Fuel hose assy.....	1		Tank filter to U/Floor Pipe
	CBC 2573	Fuel hose assy u/floor pipe to tank.....	1		
	CBC 2688	Spring clip - fuel hose to tank.....	1		



VS.4658

VS 4658

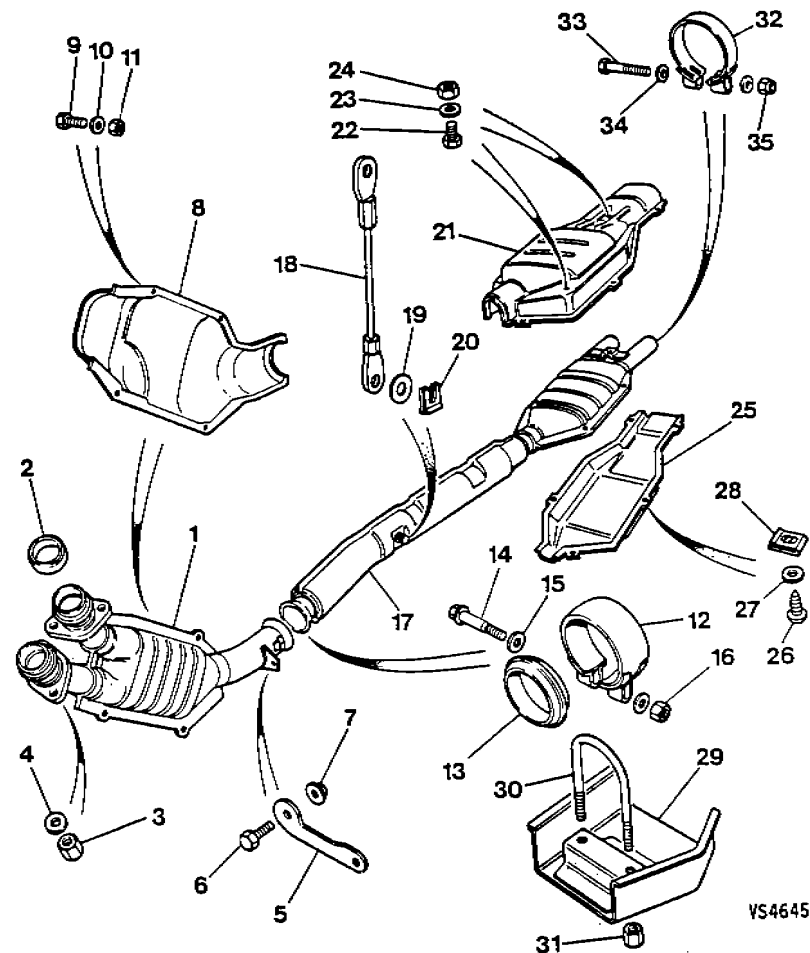
MASTER INDEX

ENGINE.....	1.C
FLYWHEEL AND CLUTCH.....	1.F
GEARBOX AND PROPSHAFT.....	1.G
AXLES, SUSPENSION, DRIVE SHAFTS, WHEELS.....	1.I
STEERING.....	1.K
BRAKES AND BRAKE CONTROLS.....	1.L
FUEL, EXHAUST AND EMISSION SYSTEMS.....	1.M
COOLING, HEATING AND AIR CONDITIONING.....	2.C
ELECTRICAL, WASHERS-WIPERS, INSTRUMENTS.....	2.E
CHASSIS, SUBFRAMES, BODYSHELL, FITTINGS.....	2.J
FASCIA, TRIM, SEATS AND FIXINGS.....	3.C
ACCESSORIES AND PAINT.....	3.J
NUMERICAL INDEX.....	3.K

GROUP INDEX

ACCELERATOR PEDAL & CABLE.....	N04
AIR CLEANER.....	M02
AIR PUMP(3.6 LITRE).....	M13
AIRBOX-AIR FLOWMETER.....	M03
CARBON CANISTER.....	N05
ENGINE BREATHING (2.9 LITRE).....	M11
ENGINE BREATHING (3.6 LITRE).....	M12
EXHAUST HEATSHIELDS.....	N17
EXHAUSTS REAR-ALL CATALYST MARKETS.....	N14
EXHAUSTS REAR-NON CATALYST MARKETS.....	N13
EXHAUSTS-REAR(JAPAN ONLY).....	N15
FRONT EXHAUST & CATALYST.....	N12
FRONT EXHAUST PIPES-NON CATALYST MARKETS.....	N09
FUEL FILTER.....	M18
FUEL PIPES.....	M16
FUEL PUMP & MOUNTINGS.....	M17
FUEL RAIL INJECTORS(2.9 LITRE).....	M06
FUEL RAIL INJECTORS(3.6 LITRE).....	M07
FUEL VAPOUR SYSTEM.....	N08
IDLE AIR VALVE(3.6 LITRE).....	M05

IDLE SPEED ACTUATOR(2.9 LITRE).....	M04
PETROL FILLER, CAP AND HOSES.....	N03
PETROL TANK.....	N02
THROTTLE BODY (3.6 LITRE).....	M09
THROTTLE BODY(2.9 LITRE).....	M08
THROTTLE LINKAGE.....	M10



Illus	Part Number	123456 Description	Quantity	Change Point	Remarks
FRONT EXHAUST PIPES-JAPAN					
1	CBC 2631	Front downpipe and catalyst	NLA		Use CBC 5729
	CBC 5729	Front downpipe and catalyst	NLA		Use CBC 8109
	CBC 8109	Front downpipe and catalyst	1		
2	C 18405 1	Flange sealing ring	2		
3	C 17916 1	Nut helicoil	4		
4	FW 106 TJ	Washer	4		
5	CAC 8535	Stay	1		
6	SH 106121 J	Setscrew	2		
7	FN 106041 J	Flange nut	2		
8	CBC 2636	Heatshield	NLA		Use CBC 5297
	CBC 5297	Heatshield downpipe & catalyst	1		
9	SH 105121 J	Setscrew	3		
10	WA 105001 J	Washer	3		
11	NV 105041 J	Locknut	3		
12	CAC 4073	Spherical clamp	1		
13	CAC 4336	Olive	1		
14	FB 108141 J	Flange bolt	2		
15	FW 105 TJ	Washer	2		
16	ACU 6289 J	Locknut	1		
17	CBC 1280	Inter ex pipe & catalyst	1		Use CBC 5727
	CBC 5727	Inter ex pipe & catalyst	NLA		Use CBC 8198
	CBC 8198	Inter ex pipe & catalyst	1		
18	CBC 1282	Exhaust lie cable	1		
19	WD 108051 J	Washer	1		
20	C 27328 32	Spring fix clip	2		
21	CAC 8298 1	Heatshield	1		
22	FS 106121 J	Flange screw	3		
23	WA 106041 J	Washer	3		
24	NV 106041 J	Nut M6	3		
25	CAC 8310	Grass shield	1		
26	AB 610041 J	Self tapping screw	5		
27	WC 105001 J	Washer	5		
28	AK 610011 J	Spire nut	5		
29	CBC 2170	Heatshield-spherical clamp joint	1		
30	CBC 2167	U bolt	1		
31	CBC 1525 1	Helicoil nut	2		
32	CAC 3801 4	Pipe band clip	2		
33	CAC 3802	Bolt 0.25 UNF	2		
34	FW 104 TJ	Plain washer	4		
35	CAC 3803	Locknut 0.25 UNF	2		

TI NT

H64AW31/8/88

VS4645

VS4645

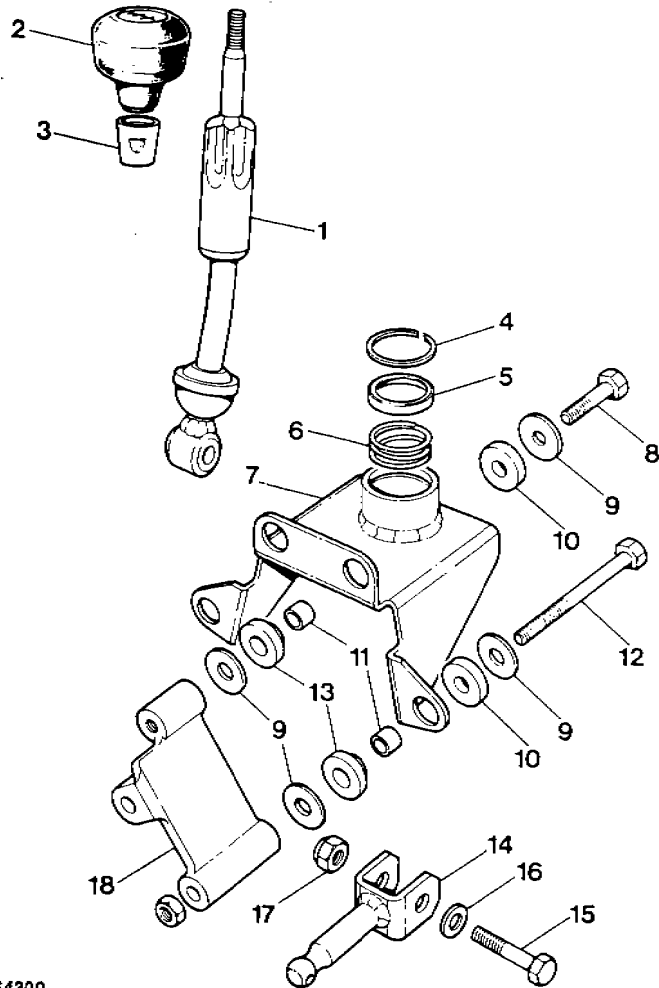
MASTER INDEX

ENGINE	1.C
FLYWHEEL AND CLUTCH	1.F
GEARBOX AND PROPSHAFT	1.G
AXLES, SUSPENSION, DRIVE SHAFTS, WHEELS	1.J
STEERING	1.K
BRAKES AND BRAKE CONTROLS	1.L
FUEL, EXHAUST AND EMISSION SYSTEMS	1.M
COOLING, HEATING AND AIR CONDITIONING	2.C
ELECTRICAL, WASHERS-WIPERS, INSTRUMENTS	2.E
CHASSIS, SUBFRAMES, BODY SHELL, FITTINGS	2.J
FASCIA, TRIM, SEATS AND FIXINGS	3.C
ACCESSORIES AND PAINT	3.J
NUMERICAL INDEX	3.K

GROUP INDEX

ACCELERATOR PEDAL & CABLE	N04
AIR CLEANER	M02
AIR PUMP(3.6 LITRE)	M13
AIRBOX-AIR FLOWMETER	M03
CARBON CANISTER	N05
ENGINE BREATHING (2.9 LITRE)	M11
ENGINE BREATHING (3.6 LITRE)	M12
EXHAUST HEATSHIELDS	N17
EXHAUSTS REAR-ALL CATALYST MARKETS	N14
EXHAUSTS REAR-NON CATALYST MARKETS	N13
EXHAUSTS-REAR(JAPAN ONLY)	N15
FRONT EXHAUST & CATALYST	N12
FRONT EXHAUST PIPES-NON CATALYST MARKETS	N09
FUEL FILTER	M18
FUEL PIPES	M16
FUEL PUMP & MOUNTINGS	M17
FUEL RAIL-INJECTORS(2.9 LITRE)	M06
FUEL RAIL-INJECTORS(3.6 LITRE)	M07
FUEL VAPOUR SYSTEM	N08
IDLE AIR VALVE(3.6 LITRE)	M05

IDLE SPEED ACTUATOR(2.9 LITRE)	M04
PETROL FILLER, CAP AND HOSES	N03
PETROL TANK	N02
THROTTLE BODY (3.6 LITRE)	M09
THROTTLE BODY(2.9 LITRE)	M08
THROTTLE LINKAGE	M10



VS4300

Illus	Part Number	Description	Quantity	Change Point	Remarks
	123456	MAN G/BOX LEVER & MTGS 3.6 LITRE			
1	EAC 7657	Assy Change Speed Lever.....	1		
2	EAC 6268	Knob Assy CS Lever.....	1		
3	EAC 1896	Locking Cone.....	1		
4	AGU 1381	Spring Ring.....	1		
5	EAC 5261	Spring Retainer.....	1		
6	EAC 9855	Spring Coil.....	1		
7	EAC 5753	Assy Housing CS Lever.....	1		
8	BH 108071 J	Bolt Hsg To Pedestal.....	2		
9	WJ 108001 J	Washer.....	4		
10	UKC 1090	Washer.....	4		
11	EAC 4902	Tube Spacer.....	4		
12	BH 108241 J	Bolt Pedestal To Gearbox.....	2		
13	UKC 854	Bush.....	4		
14	EAC 5268	Assy Selector Shaft.....	1		
15	BH 108081 J	Bolt Selector Shaft.....	1		
16	AGU 1533	Special Washer.....	1		
17	NY 108041 J	Nut.....	1		
18	EAC 5751	Pedestal Gearchange Mtg LH.....	1		
18	EAC 5752	Pedestal Gearchange Mtg RH.....	1		
	EAC 5259	Spherical Washer CS Housing.....	1		
	EAC 5271	Sleeve C/S Lever.....	1		
	EAC 6024	Joint - Selector Shaft.....	1		
	EAC 6025	Pin.....	1		
	EAC 6026	Foam Disc.....	1		
	EAC 6027	Retainer Clip.....	1		

.....] Non speed sensor

IG 03

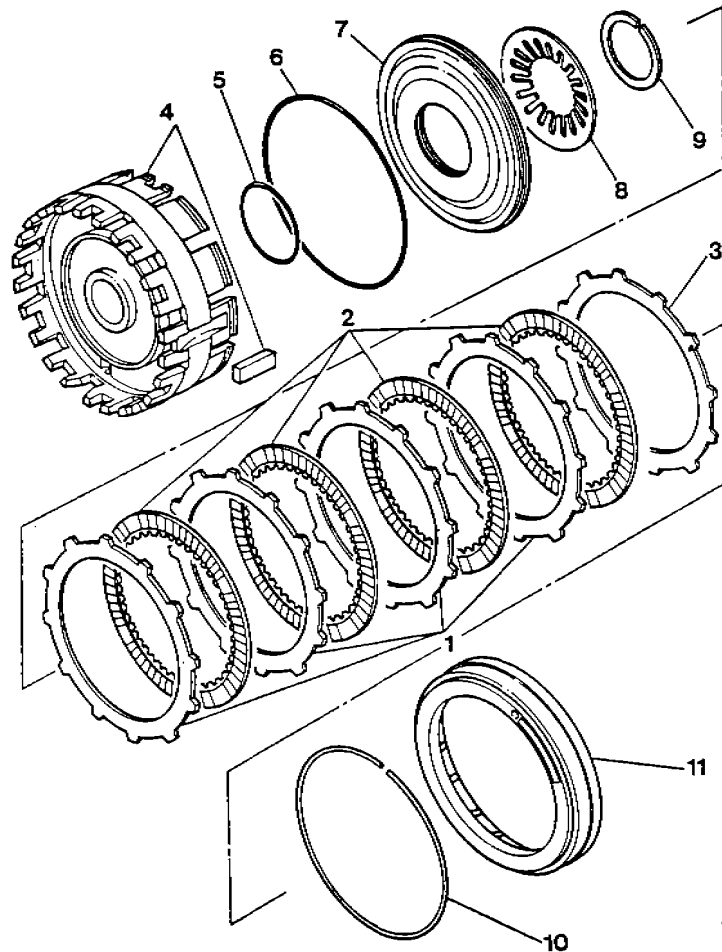
VS4300

MASTER INDEX

ENGINE.....	1.C
FLYWHEEL AND CLUTCH.....	1.F
GEARBOX AND PROPSHAFT.....	1.G
AXLES, SUSPENSION, DRIVE SHAFTS, WHEELS.....	1.J
STEERING.....	1.K
BRAKES AND BRAKE CONTROLS.....	1.L
FUEL, EXHAUST AND EMISSION SYSTEMS.....	1.M
COOLING, HEATING AND AIR CONDITIONING.....	2.C
ELECTRICAL, WASHERS-WIPERS, INSTRUMENTS.....	2.E
CHASSIS, SUBFRAMES, BODY SHELL, FITTINGS.....	2.J
FASCIA, TRIM, SEATS AND FIXINGS.....	3.C
ACCESSORIES AND PAINT.....	3.J
NUMERICAL INDEX.....	3.K

GROUP INDEX

"A" CLUTCH INPUT SHAFT.....	G10
AUTO BOX "B" CLUTCH.....	G11
AUTO GEAR CHANGE CONTROLS.....	G05
AUTO GEARBOX "C" CLUTCH.....	G12
AUTO GEARBOX CLUTCH "E".....	G15
AUTO GEARBOX MOUNTINGS.....	H04
AUTO GEARBOX SUMP PAN.....	H02
AUTOMATIC GEARBOX "D" CLUTCH.....	G13
AUTOMATIC GEARBOX TRANSMISSIONS UNITS.....	G06
CONVERTER AND HOUSING.....	G07
DIPSTICK OIL COOLER PIPES.....	H05
FRT PUMP & INTERMEDIATE PLATE.....	G09
GEAR CHANGE CONTROL CABLE.....	H03
GEARSHIFT AND PARKING LOCK.....	G18
MAN G/BOX LEVER & MTGS 3.6 LITRE.....	G03
MANUAL GEARBOX.....	G02
MANUAL GEARBOX MOUNTINGS.....	G04
OUTPUT SHAFT "F" CLUTCH.....	G17
PROP SHAFT - AUTO - JURID COUPLING.....	H07
PROP SHAFT - MANUAL.....	H08
PROPELLOR SHAFT - AUTOMATIC TRANSMISSION.....	H06
REAR EXTENSION AND BREATHER.....	G08
SUN GEARS AND PLANETARY DRIVE.....	G16
VALVE BODIES ASSEMBLY.....	G14



Illus	Part Number
1	JLM 992
2	JLM 993
3	JLM 991
4	JLM 875
5	JLM 877
6	JLM 878
7	JLM 876
8	JLM 672
9	JLM 879
10	JLM 880
11	JLM 881
	JLM 1004

123456	Description	Quantity	Change Point	Remarks
AUTOMATIC GEARBOX "D" CLUTCH				
	Clutch Disc.....	4		
	Clutch Disc.....	4		
	Clutch Disc.....	1		
	Cylinder.....	1		
	'O'-Ring.....	1		
	'O'-Ring.....	1		
	Piston.....	1		
	Cup Spring.....	1		
	Snap Ring.....	1		
	Snap Ring.....	1		
	Support Ring.....	1		
	'O'-Ring and Seal Ring Kit.....	1		

VS4562

VS4562

IG 13

MASTER INDEX

ENGINE.....	1.C
FLYWHEEL AND CLUTCH.....	1.F
GEARBOX AND PROPSHAFT.....	1.G
AXLES, SUSPENSION, DRIVE SHAFTS, WHEELS.....	1.I
STEERING.....	1.K
BRAKES AND BRAKE CONTROLS.....	1.L
FUEL, EXHAUST AND EMISSION SYSTEMS.....	1.M
COOLING, HEATING AND AIR CONDITIONING.....	2.C
ELECTRICAL, WASHERS-WIPERS, INSTRUMENTS.....	2.E
CHASSIS, SUBFRAMES, BODYSHELL, FITTINGS.....	2.J
FASCIA, TRIM, SEATS AND FIXINGS.....	3.C
ACCESSORIES AND PAINT.....	3.J
NUMERICAL INDEX.....	3.K

GROUP INDEX

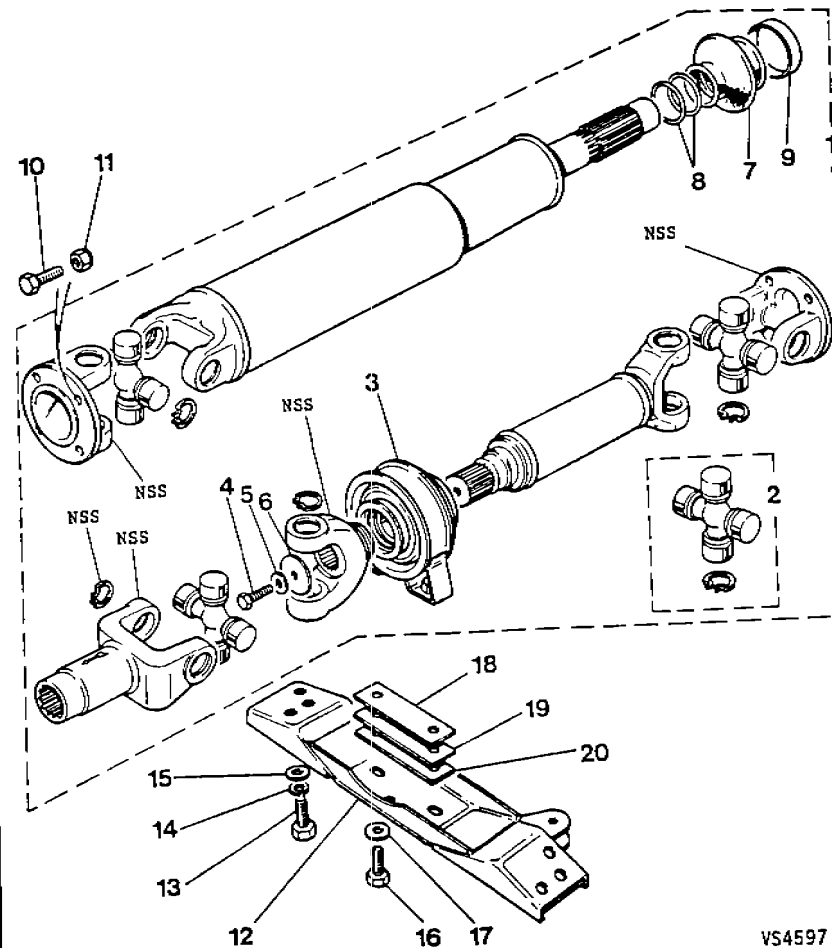
"A" CLUTCH INPUT SHAFT.....	G10
AUTO BOX "B" CLUTCH.....	G11
AUTO GEAR CHANGE CONTROLS.....	G05
AUTO GEARBOX "C" CLUTCH.....	G12
AUTO GEARBOX CLUTCH "E".....	G15
AUTO GEARBOX MOUNTINGS.....	H04
AUTO GEARBOX SUMP PAN.....	H02
AUTOMATIC GEARBOX "D" CLUTCH.....	G13
AUTOMATIC GEARBOX TRANSMISSIONS UNITS.....	G06
CONVERTER AND HOUSING.....	G07
DIPSTICK OIL COOLER PIPES.....	H05
FRT PUMP & INTERMEDIATE PLATE.....	G09
GEAR CHANGE CONTROL CABLE.....	H03
GEARSHIFT AND PARKING LOCK.....	G18
MAN G/BOX LEVER & MTGS 3.6 LITRE.....	G03
MANUAL GEARBOX.....	G02
MANUAL GEARBOX MOUNTINGS.....	G04
OUTPUT SHAFT "F" CLUTCH.....	G17
PROP SHAFT - AUTO - JURID COUPLING.....	H07
PROP SHAFT - MANUAL.....	H08

PROPELLOR SHAFT - AUTOMATIC TRANSMISSION.....	H06
REAR EXTENSION AND BREATHER.....	G08
SUN GEARS AND PLANETARY DRIVE.....	G16
VALVE BODIES ASSEMBLY.....	G14

JAGUAR 2.9 AND 3.6 LITRE SALOONS

H06
fiche 1

GEARBOX AND PROPSHAFT



Illus	Part Number
1	CAC 4554 3
2	JLM 823
3	JLM 1542
4	RTC 1335 J
5	RTC 1336 J
6	RTC 1337 J
7	JLM 1543
8	JLM 1544
9	JLM 1545
10	C 19827
11	NZ 606041 J
12	CAC 9399
	CAC 9400
13	GL 108301 J
14	WL 108001 J
15	WC 108051 J
16	SH 605061 J
17	WA 108051 J
18	C 29593
19	C 28654 3
20	C 28654 4

123456	Description	Quantity	Change Point	Remarks
PROPELLOR SHAFT - AUTOMATIC TRANSMISSION				
1	PROPELLOR SHAFT.....	1		
3	Universal joint.....	3		
1	Centre bearing.....	1		
1	Bolt - special.....	1		
1	Tab - washer.....	1		
1	Spacer.....	1		
1	Gaiter.....	1		
2	Ring.....	2		
1	Clip (Rubber).....	1		
8	Bolt.....	8		Propshaft to diff & gearbox 4 off each
8	Nut - self locking.....	8		
1	Mounting bracket.....	1		RHD
1	Mounting bracket.....	1		LHD
6	Screw - brkt to body.....	6		
6	Spring washer.....	6		
6	Large washer.....	6		
2	Setscrew.....	2		
2	Plain washer.....	2		
A/R	Packer 1.25".....	A/R		For Propshaft Alignment
A/R	Packer 0.064".....	A/R		
A/R	Packer 0.028".....	A/R		

90 H1

VS4597

MASTER INDEX

ENGINE.....	1.C
FLYWHEEL AND CLUTCH.....	1.F
GEARBOX AND PROPSHAFT.....	1.G
AXLES, SUSPENSION, DRIVE SHAFTS, WHEELS.....	1.I
STEERING.....	1.K
BRAKES AND BRAKE CONTROLS.....	1.L
FUEL, EXHAUST AND EMISSION SYSTEMS.....	1.M
COOLING, HEATING AND AIR CONDITIONING.....	2.C
ELECTRICAL, WASHERS-WIPERS, INSTRUMENTS.....	2.E
CHASSIS, SUBFRAMES, BODY SHELL, FITTINGS.....	2.J
FASCIA, TRIM, SEATS AND FIXINGS.....	3.C
ACCESSORIES AND PAINT.....	3.J
NUMERICAL INDEX.....	3.K

GROUP INDEX

"A" CLUTCH INPUT SHAFT.....	G10
AUTO BOX "B" CLUTCH.....	G11
AUTO GEAR CHANGE CONTROLS.....	G05
AUTO GEARBOX "C" CLUTCH.....	G12
AUTO GEARBOX CLUTCH "E".....	G15
AUTO GEARBOX MOUNTINGS.....	H04
AUTO GEARBOX SUMP PAN.....	H02
AUTOMATIC GEARBOX "D" CLUTCH.....	G13
AUTOMATIC GEARBOX TRANSMISSIONS UNITS.....	G06
CONVERTER AND HOUSING.....	G07
DIPSTICK OIL COOLER PIPES.....	H05
FRT PUMP & INTERMEDIATE PLATE.....	G09
GEAR CHANGE CONTROL CABLE.....	H03
GEARSHIFT AND PARKING LOCK.....	G18
MAN G/BOX LEVER & MTGS 3.6 LITRE.....	G03
MANUAL GEARBOX.....	G02
MANUAL GEARBOX MOUNTINGS.....	G04
OUTPUT SHAFT "F" CLUTCH.....	G17
PROP SHAFT - AUTO - JURID COUPLING.....	H07
PROP SHAFT - MANUAL.....	H08

PROPELLOR SHAFT - AUTOMATIC TRANSMISSION.....	H06
REAR EXTENSION AND BREATHER.....	G08
SUN GEARS AND PLANETARY DRIVE.....	G16
VALVE BODIES ASSEMBLY.....	G14

JAGUAR 2.9 AND 3.6 LITRE SALOONS

K07
Fiche 3

NUMERICAL INDEX BDC 5938 TO C 43995

BDC 5938	3.C08	BDC 6609	3.E17	BDC 7538 XE	3.H09	BDC 8485 AW	3.E18	BH 612451 J	1.I02	C 2296 4	1.E02	C 26199	1.C11	C 32367 1	1.D13
BDC 5939	3.C08	BDC 6619	3.I02	BDC 7539 LZ	3.H09	BDC 8485 CM	3.E18	BHA 4359	3.C12	C 2373	1.C03	C 26199	1.E02	C 32746 2	1.I11
BDC 5969	2.M03	BDC 6633	2.J15	BDC 7539 XE	3.H09	BDC 8485 JF	3.E18	BL 109111 24	2.K02	C 2373	1.C07	C 27328 32	1.N10	C 33139 6	1.M17
BDC 6161	2.J15	BDC 6683	3.H18	BDC 7610	2.L03	BDC 8485 LY	3.E18	BMK 2091	1.N04	C 2373	1.C10	C 27328 32	1.N11	C 33244	1.C13
BDC 6166	2.K06	BDC 6684	3.I05	BDC 7611	2.L03	BDC 8485 LZ	3.E18	BMK 2117 J	2.E16	C 2373	1.C13	C 27328 32	1.N12	C 33244	1.E03
BDC 6166	2.K08	BDC 6688 AP	3.H15	BDC 7619	2.K10	BDC 8485 XE	3.E18	BMK 2117 J	3.D04	C 2373	1.D11	C 27328 3Z	1.F05	C 33460	2.E08
BDC 6167	2.K06	BDC 6688 CN	3.H15	BDC 7676	2.K10	BDC 8505	2.J15	BMK 2117 J	3.E10	C 2373	1.D15	C 27328 3Z	1.L05	C 33826	2.I12
BDC 6167	2.K08	BDC 6688 LE	3.H15	BDC 7698	3.E14	BDC 8570	3.H08	BMK 2117 J	3.E16	C 2373	1.D18	C 27480	1.C11	C 33835	1.M08
BDC 6178	3.D02	BDC 6688 XA	3.H15	BDC 7699	3.E14	BDC 8571	3.H08	BP 108201 J	1.I02	C 2373	1.E02	C 27481	1.C11	C 33884	1.M02
BDC 6179	3.D02	BDC 6688 XF	3.H15	BDC 7718	2.L17	BDC 8590	3.H08	BP 110104	3.H16	C 4146	1.C14	C 27481	1.E04	C 33889	1.C09
BDC 6180	3.D02	BDC 6689 AP	3.H15	BDC 7777	3.E14	BDC 8591	3.H08	BRC 1063	1.F04	C 4999	2.F15	C 27482	1.C11	C 33889	1.D17
BDC 6181	3.D02	BDC 6689 CN	3.H15	BDC 7778	3.E14	BDC 8949	3.H08	BRC 3101	2.L12	C 4999	3.D04	C 27482	1.E04	C 33917	1.C09
BDC 6376 LZ	3.I05	BDC 6689 LE	3.H15	BDC 7801	3.G06	BDC 8962	3.H08	BRC 3101	2.L13	C 5846	1.C14	C 28654 3	1.H06	C 33917	1.D17
BDC 6376 XE	3.I05	BDC 6689 XA	3.H15	BDC 7886	2.J15	BDC 8963	3.H08	BRC 3101	3.E16	C 8016	2.H14	C 28654 3	1.H07	C 33918	1.C09
BDC 6377 LZ	3.I05	BDC 6689 XF	3.H15	BDC 7887	2.J15	BDC 9358	3.E16	BRC 3101	3.I02	C 8631	1.F02	C 28654 3	1.H08	C 33918	1.D17
BDC 6377 XE	3.I05	BDC 6690 AP	3.H14	BDC 7895	2.J15	BDC 9359	3.E16	BRC 6035	2.L07	C 9126	2.E18	C 28654 3	1.H09	C 34241	2.E04
BDC 6414	2.K10	BDC 6690 CN	3.H14	BDC 7960	3.H09	BDC 9372	2.L04	BRC 6035	2.L17	C 9126	2.F03	C 28654 4	1.H06	C 34241	2.E05
BDC 6415	2.K10	BDC 6690 LE	3.H14	BDC 7961	3.H09	BDC 9373	2.L04	BRC 6035 J	2.L09	C 9126	2.F04	C 28654 4	1.H07	C 34646 19	2.F15
BDC 6422	2.L02	BDC 6690 XA	3.H14	BDC 7966	2.F13	BDC 9376	2.L04	BX 108081 J	3.H08	C 9126	2.F06	C 28654 4	1.H08	C 34697	1.C05
BDC 6490	3.I02	BDC 6690 XF	3.H14	BDC 7967	2.F13	BDC 9377	2.L04	BX 112131 J	1.H07	C 9126	3.J02	C 28654 4	1.H09	C 34697	1.D13
BDC 6500	3.H08	BDC 6691 AP	3.H14	BDC 7984	3.H08	BDC 9400	3.E14	BX 112131 J	1.H09	C 10193	3.D04	C 28732	1.N04	C 35093 1	1.C04
BDC 6524	3.C12	BDC 6691 CN	3.H14	BDC 7986	2.J15	BDC 9401	3.E14	C 724	2.L17	C 13478	1.D04	C 29390	1.C11	C 35093 1	1.D12
BDC 6525	3.C12	BDC 6691 LE	3.H14	BDC 8442 AR	3.F03	BDC 9638	3.E14	C 1040 12	1.N04	C 13478	1.E11	C 29390	1.E02	C 36120	2.D09
BDC 6542	3.C18	BDC 6691 XA	3.H14	BDC 8442 AW	3.F03	BDC 9639	3.E14	C 1040 19	1.N08	C 14350	1.M10	C 29391	1.C11	C 36120	2.E04
BDC 6543	3.C18	BDC 6691 XF	3.H14	BDC 8442 CM	3.F03	BDC 9650	3.E14	C 1040 2	1.F05	C 14591	1.C11	C 29391	1.E02	C 36120	2.E05
BDC 6588 AR	3.D10	BDC 6741	3.D03	BDC 8442 JF	3.F03	BDC 9651	3.E14	C 1040 2	1.M16	C 14592	1.C11	C 29428	1.C13	C 36175 19	2.C02
BDC 6588 AW	3.D10	BDC 6860	2.J09	BDC 8442 LY	3.F03	BDC 9664	3.H08	C 1040 5	1.L07	C 15150 8	2.C16	C 29593	1.H06	C 36613 2	3.J02
BDC 6588 CM	3.D10	BDC 6954	2.L03	BDC 8442 LZ	3.F03	BDC 9665	3.H08	C 2243 A	1.C11	C 15183	2.E04	C 29593	1.H07	C 37021	1.M09
BDC 6588 JF	3.D10	BDC 7011	2.L17	BDC 8442 XE	3.F03	BEC 1216	3.E14	C 2243 B	1.C11	C 15183	2.E05	C 29593	1.H08	C 37939	1.M08
BDC 6588 LY	3.D10	BDC 7012	2.L13	BDC 8443 AR	3.F03	BEC 1217	3.E14	C 2243 C	1.C11	C 15308	1.I04	C 29593	1.H09	C 38528	1.K02
BDC 6588 LZ	3.D10	BDC 7013	2.L13	BDC 8443 AW	3.F03	BH 105101 J	1.N03	C 2243 D	1.C11	C 15308 1	1.I04	C 29699	1.C06	C 38966	2.G15
BDC 6588 XE	3.D10	BDC 7014	2.L13	BDC 8443 CM	3.F03	BH 106051 J	2.C03	C 2243 E	1.C11	C 16370	1.K03	C 29699	1.D14	C 39193 8	1.M17
BDC 6588 ZM	3.D10	BDC 7015	2.L13	BDC 8443 JF	3.F03	BH 106091 J	1.N05	C 2243 F	1.C11	C 16862 2	1.C11	C 29875	2.E14	C 39246	1.G07
BDC 6589 AR	3.D11	BDC 7016	2.L13	BDC 8443 LY	3.F03	BH 106151 J	1.N07	C 2243 G	1.C11	C 16862 3	1.E02	C 30075 2	1.C13	C 39377	2.E13
BDC 6589 AW	3.D11	BDC 7017	2.L13	BDC 8443 LZ	3.F03	BH 108071 J	1.G03	C 2243 H	1.C11	C 16862 6	1.C11	C 30075 2	1.C18	C 39377	2.F15
BDC 6589 CM	3.D11	BDC 7023	3.I02	BDC 8443 XE	3.F03	BH 108081 J	1.G03	C 2243 I	1.C11	C 17432	2.H14	C 30075 2	1.D02	C 39377	2.I10
BDC 6589 JF	3.D11	BDC 7042	2.J16	BDC 8452 AX	3.F03	BH 108081 J	1.H14	C 2243 J	1.C11	C 17916 1	1.N09	C 30075 2	1.E09	C 39456	1.K05
BDC 6589 LY	3.D11	BDC 7044	2.J14	BDC 8452 AY	3.F03	BH 108081 J	1.L12	C 2243 K	1.C11	C 17916 1	1.N10	C 30075 2	2.C07	C 39457	1.K05
BDC 6589 LZ	3.D11	BDC 7045	2.J14	BDC 8452 YE	3.F03	BH 108081 J	2.H02	C 2243 L	1.C12	C 17916 1	1.N11	C 30344	1.C17	C 39520	2.D06
BDC 6589 XE	3.D11	BDC 7046	2.J14	BDC 8452 YF	3.F03	BH 108091 J	1.K04	C 2243 M	1.C12	C 17916 1	1.N12	C 30381	2.C02	C 41083	1.N15
BDC 6589 ZM	3.D11	BDC 7047	2.J14	BDC 8453 AX	3.F03	BH 108101 J	1.C16	C 2243 N	1.C12	C 18066	2.F05	C 30431	1.C13	C 41712	1.I10
BDC 6590 AR	3.D12	BDC 7049	3.D05	BDC 8453 AY	3.F03	BH 108101 J	1.E06	C 2243 O	1.C12	C 18066	2.F06	C 30431	1.E02	C 41712	1.L09
BDC 6590 AW	3.D12	BDC 7101	2.L03	BDC 8453 YE	3.F03	BH 108141 J	1.C16	C 2243 P	1.C12	C 18405 1	1.N09	C 30721	1.D08	C 41712	1.L10
BDC 6590 CM	3.D12	BDC 7120	3.D06	BDC 8453 YF	3.F03	BH 108141 J	1.E06	C 2243 Q	1.C12	C 18405 1	1.N10	C 30721	1.E15	C 41712	1.L11
BDC 6590 JF	3.D12	BDC 7290 AR	3.F08	BDC 8480 AX	3.E18	BH 108231 J	1.M14	C 2243 R	1.C12	C 18405 1	1.N11	C 30741	1.K04	C 42150	1.L11
BDC 6590 LY	3.D12	BDC 7290 AW	3.F08	BDC 8480 AY	3.E18	BH 108241 J	1.G03	C 2243 S	1.C12	C 18405 1	1.N12	C 30767	1.C09	C 42176	1.C13
BDC 6590 LZ	3.D12	BDC 7290 CM	3.F08	BDC 8480 YE	3.E18	BH 108261 J	2.E04	C 2243 SW	1.C12	C 19827	1.H06	C 30767	1.D17	C 42511	1.C13
BDC 6590 XE	3.D12	BDC 7290 JF	3.F08	BDC 8480 YF	3.E18	BH 108261 J	2.E05	C 2243 T	1.C12	C 19827	1.H07	C 30954	1.I04	C 42511	1.E05
BDC 6590 ZM	3.D12	BDC 7290 LY	3.F08	BDC 8481 AX	3.E18	BH 108281 J	1.C18	C 2243 U	1.C12	C 19827	1.H08	C 31075	1.N13	C 42797	1.C15
BDC 6591 AR	3.D09	BDC 7290 LZ	3.F08	BDC 8481 AY	3.E18	BH 110081 J	2.D11	C 2243 V	1.C12	C 20172	2.E13	C 31075	1.N14	C 42797	1.E05
BDC 6591 AW	3.D09	BDC 7290 XE	3.F08	BDC 8481 YF	3.E18	BH 110301 J	2.D10	C 2243 X	1.C12	C 20952 3	1.M08	C 31075	1.N15	C 42799 1	2.C08
BDC 6591 CM	3.D09	BDC 7291 AX	3.F08	BDC 8481 YE	3.E18	BH 112081 J	1.I07	C 2296 20	1.C18	C 20952 3	1.M09	C 31135	1.F05	C 42799 17	2.E10
BDC 6591 JF	3.D09	BDC 7291 AY	3.F08	BDC 8484 AR	3.E18	BH 112121 PJ	1.I08	C 2296 20	1.E08	C 21069	1.I02	C 31973 11	1.I11	C 42799 17	2.H08
BDC 6591 LY	3.D09	BDC 7291 YE	3.F08	BDC 8484 AW	3.E18	BH 112131 J	1.H07	C 2296 22	1.C04	C 21515	1.L04	C 31973 13	2.J17	C 42879	1.K04
BDC 6591 LZ	3.D09	BDC 7291 YF	3.F08	BDC 8484 CM	3.E18	BH 112131 J	1.H09	C 2296 22	1.O12	C 22603	1.L04	C 31973 14	2.E09	C 43206 4	2.C02
BDC 6591 XE	3.D09	BDC 7402	2.K10	BDC 8484 JF	3.E18	BH 112131 J	1.I07	C 2296 23	1.C03	C 24119 4	1.I15	C 31973 15	2.K03	C 43638	1.C03
BDC 6591 ZM	3.D09	BDC 7482	2.L03	BDC 8484 LY	3.E18	BH 112131 J	1.I08	C 2296 23	1.C18	C 24119 4	1.I17	C 31973 15	2.K05	C 43638	1.D11
BDC 6606	3.E17	BDC 7483	2.L03	BDC 8484 LZ	3.E18	BH 112181 J	1.I07	C 2296 23	1.D11	C 24686	1.D17	C 32202	1.F05	C 43844	2.I10
BDC 6607	3.E17	BDC 7494	2.J17	BDC 8484 XE	3.E18	BH 607301 J	1.I03	C 2296 23	1.E08	C 24689	1.F06	C 32366	1.C14	C 43988	2.I10
BDC 6608	3.E17	BDC 7538 LZ	3.H09	BDC 8485 AR	3.E18	BH 607301 J	1.I04	C 2296 4	1.D11	C 25969	2.I10	C 32367 1	1.C05	C 43995	1.L12

CLICK HERE TO **DOWNLOAD** THE COMPLETE MANUAL

- Thank you very much for reading the preview of the manual.
- You can download the complete manual from: www.heydownloads.com by clicking the link below



- Please note: If there is no response to CLICKING the link, please download this PDF first and then click on it.

CLICK HERE TO **DOWNLOAD** THE COMPLETE MANUAL