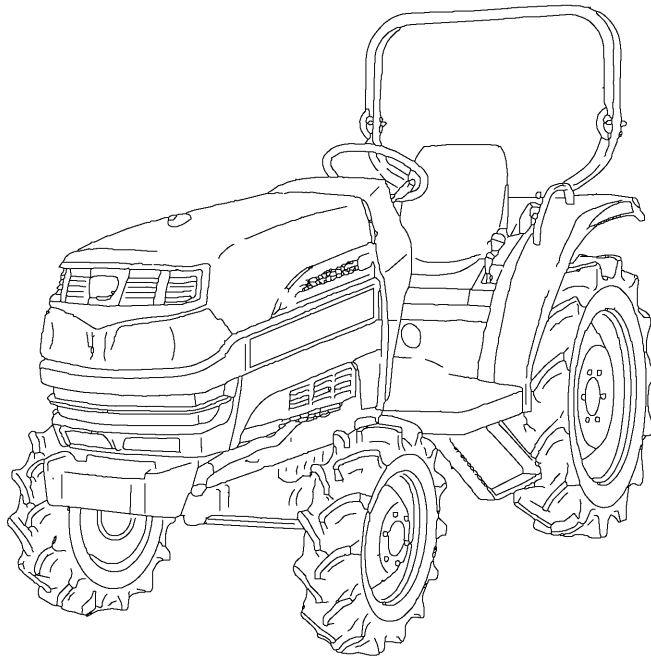




Parts Catalogue



TRACTOR

**TG5395
TG5475**

TG5395FH-5MCE4,5MCE4D,5MRE4
TG5475FH-5MCYE4,5MCYE4D,5MRE4

1747-097-100-1E

Printed in Japan January,2019

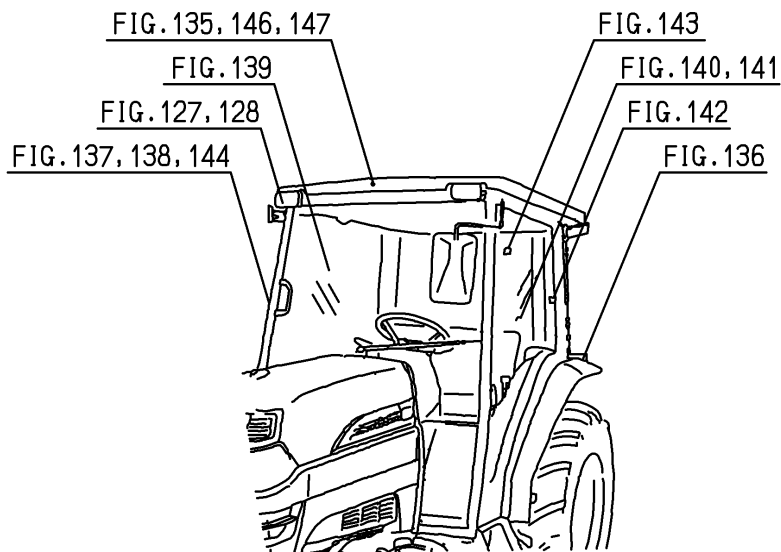
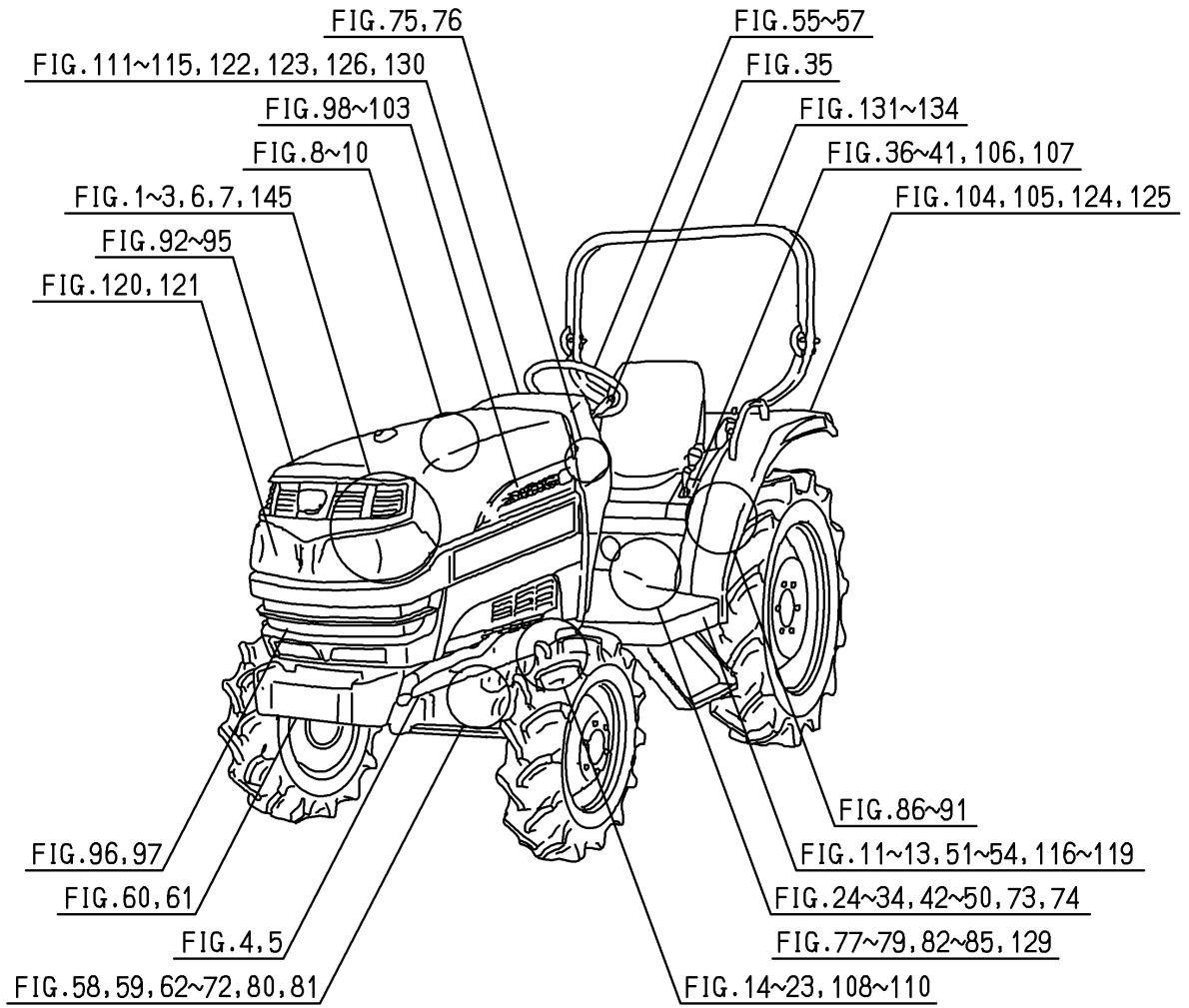
CLICK HERE TO **DOWNLOAD** THE COMPLETE MANUAL

- Thank you very much for reading the preview of the manual.
- You can download the complete manual from: www.heydownloads.com by clicking the link below



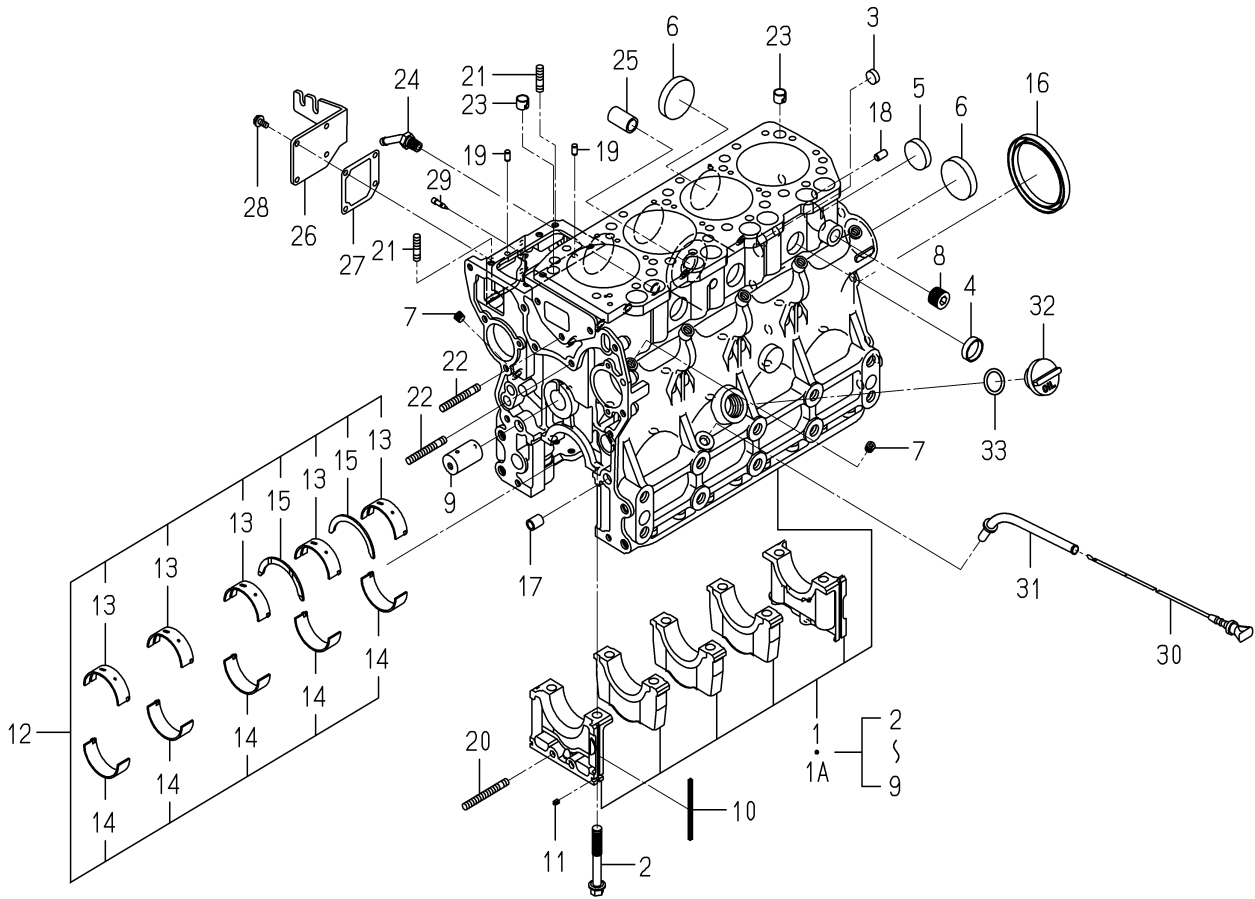
- Please note: If there is no response to CLICKING the link, please download this PDF first and then click on it.

CLICK HERE TO **DOWNLOAD** THE COMPLETE MANUAL



MID(PTO)SYSTEM(TG5395-R TYPE)(1/2)(2/2).....	Fig. 28
MID(PTO)SYSTEM(TG5395-C TYPE)(1/2)(2/2).....	Fig. 29
CASE(TRANSMISSION/REAR)SYSTEM (D TYPE-5395-NO.1-103,5475-NO.1-65).....	Fig. 30
CASE(TRANSMISSION/REAR)SYSTEM (D TYPE)(5395-NO.104-/5475-NO.66-).....	Fig. 31
FORK(SHIFT/SUB)SYSTEM.....	Fig. 32
ARM(SHIFT/4WD)SYSTEM.....	Fig. 33
FORK(SHIFT)SYSTEM.....	Fig. 34
LEVER(REVERSE)SYSTEM.....	Fig. 35
LEVER(SUB)SYSTEM(TG5395).....	Fig. 36
LEVER(SHIFT/SUB)SYSTEM(TG5475).....	Fig. 37
LEVER(4WD)SYSTEM(TG5395).....	Fig. 38
LEVER(4WD)SYSTEM(TG5475).....	Fig. 39
LEVER(PTO)SYSTEM(TG5395).....	Fig. 40
LEVER(PTO)SYSTEM(TG5475).....	Fig. 41
PINION(DRIVE)SYSTEM(TG5395).....	Fig. 42
PINION(DRIVE)SYSTEM(TG5475).....	Fig. 43
CASE(DIFFERENTIAL/FRONT)SYSTEM.....	Fig. 44
HOUSING(AXLE)SYSTEM(TG5475).....	Fig. 45
HOUSING(AXLE)SYSTEM(TG5395).....	Fig. 46
DIFF-LOCK(HST)SYSTEM(TG5395).....	Fig. 47
DIFF-LOCK(HST)SYSTEM(TG5475).....	Fig. 48
BRAKE(HST)SYSTEM(TG5395).....	Fig. 49
BRAKE(HST)SYSTEM(TG5475).....	Fig. 50
PEDAL(BRAKE)SYSTEM(TG5395).....	Fig. 51
PEDAL(BRAKE)SYSTEM(TG5475).....	Fig. 52
BRAKE(PARKING)SYSTEM(TG5395).....	Fig. 53
BRAKE(PARKING)SYSTEM(TG5475).....	Fig. 54
WHEEL(STEERING)SYSTEM(TG5395).....	Fig. 55
WHEEL(STEERING)SYSTEM(TG5475).....	Fig. 56
COLUMN(STEERING)SYSTEM.....	Fig. 57
STEERING(POWER)SYSTEM(TG5395).....	Fig. 58

FIG. 6 CYLINDER BLOCK

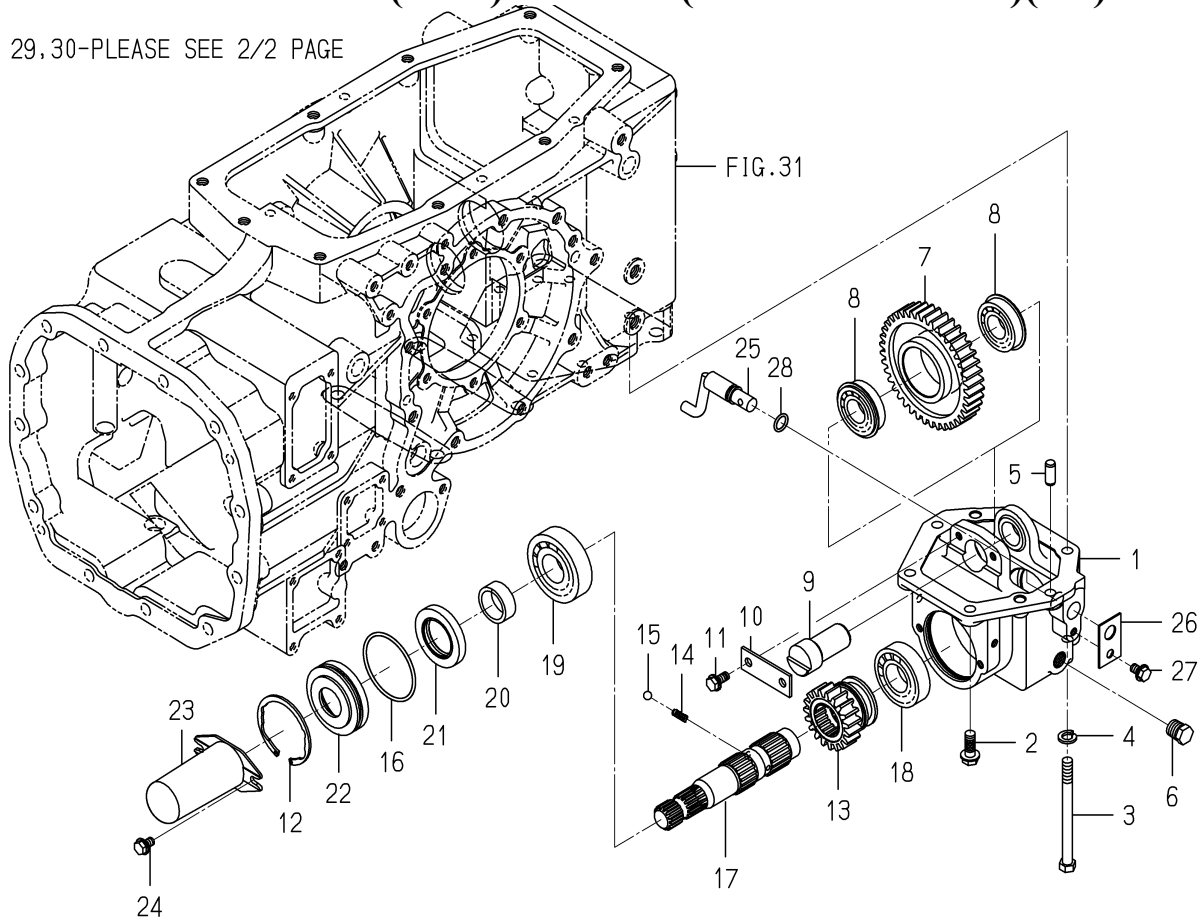


6008-201E-0100

KEY	PART CODE	DESCRIPTION	S P C	TYPE OF MODEL		I T C	C O L	G R P	REMARKS
				E4CG WB19					
1	6211-210-063-60	CYLINDERBLOCK ASSY	*	1	-18708				
1A	6211-210-063-70	CYLINDERBLOCK ASSY	*	1	18709-	1			
2	6209-000-006-00	BOLT	*	10					
3	6209-610-007-00	CUP/SEALING/16	*	2					
4	6209-610-001-10	CUP/SEALING/28	*	3					
5	6209-610-009-00	CUP/SEALING/36	*	1					
6	6209-610-003-00	CUP/SEALING/50	*	4					
7	6209-605-007-10	PLUG/PT1/8	*	10					
8	6209-605-004-10	PLUG/PT1/2	*	1					
9	6212-531-008-30	PIN/IDLEGEAR	*	1					
10	6211-258-001-00	SEAL, BEARING CAP	*	4					
11	6211-258-002-00	SEAL, BEARING CAP/7	*	2					
12	6211-510-009-00	BEARING/CRANK SET	*	1					
13	6211-511-007-00	BEARING/CRANK/UPPER	*	5					
14	6211-511-008-00	BEARING/CRANK/LOWER	*	5					
15	6211-599-004-00	BEARING/THRUST/CRANK	*	2					
16	6209-625-003-20	OILSEAL	*	1					
17	6209-749-001-20	PIN/TUBE	*	2					
18	6213-129-006-00	PIN/STRAIGHT	*	2					
19	6209-740-005-00	PIN	*	2					
20	V251-340-806-00	STUD/M8X60/7T	*	1					
21	6904-110-822-00	STUD	*	2					
22	6904-110-850-00	STUD	*	2					
23	6294-453-002-00	DOWEL	*	2					
24	6213-721-007-00	PIPE/WATERDRAIN	*	1					
25	6213-319-013-10	CONNECTOR/OILFILTER	*	1					
26	6211-291-015-20	COVER/INJECTIONPUMP	*	1					
27	6211-292-001-20	GASKET/COVER	*	1					
28	V230-360-601-20	FLANGE BOLT/M6X12	*	4					
29	6215-549-013-00	PIN	*	1					

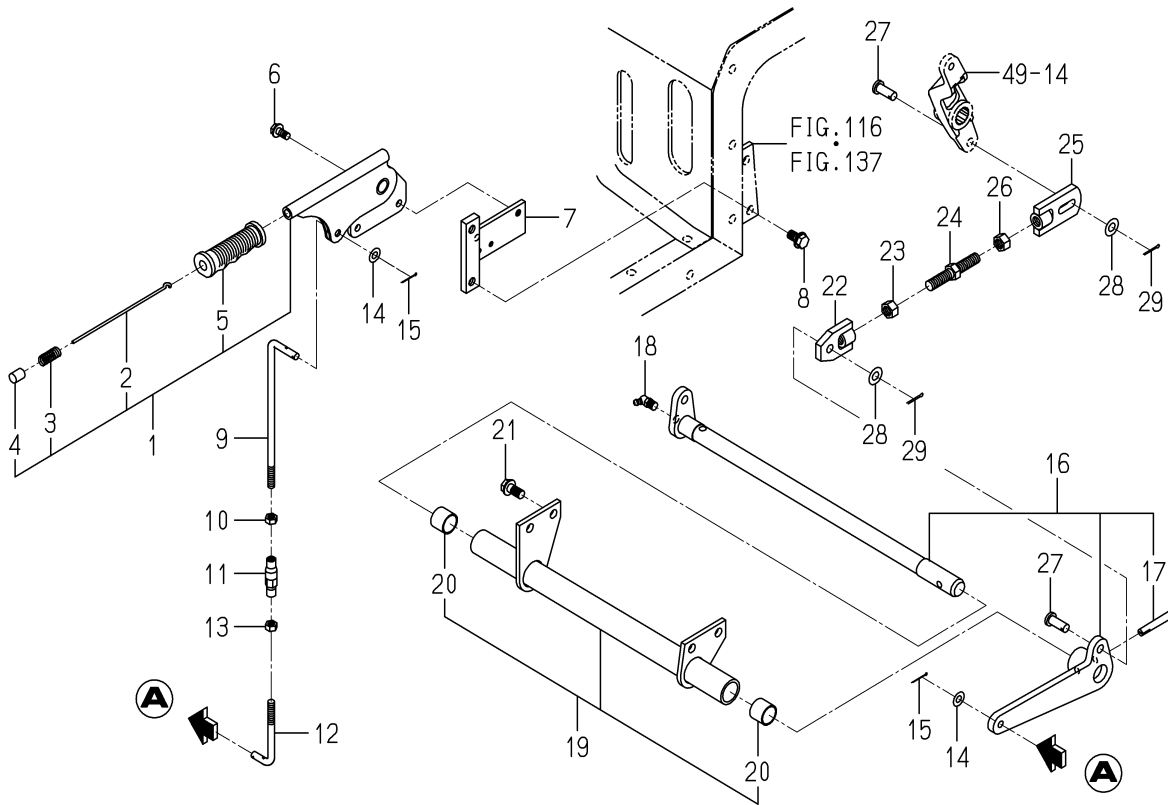
FIG. 28 MID(PTO)SYSTEM(TG5395-R TYPE)(1/2)

29,30-PLEASE SEE 2/2 PAGE



1742-229C-0100

KEY	PART CODE	DESCRIPTION	S P C	TYPE OF MODEL		I T C	C O L	G R P	REMARKS
				TG5395 FH	TG5475 FH				
1	1742-229-002-10	CASE/PTO	*	1					
2	V231-361-002-50	FLANGE BOLT/M10X25	*	4					
3	V201-361-012-00	BOLT/M10X120/7T	*	2					
4	V401-160-010-00	WASHER, SP/M10	*	2					
5	V523-101-002-40	PIN, ST, B/10X24	*	2					
6	V782-160-000-6B	PLUG/SCREW/SEAL	*	1					
7	1742-229-003-00	GEAR/SPUR/40	*	1					
8	V607-110-620-50	BEARING, RB/6205NR	*	2					
9	1742-229-004-00	SHAFT	*	1					
10	1594-272-006-00	PLATE	*	1					
11	V231-360-801-60	FLANGE BOLT/M8X16	*	2					
12	V707-140-072-00	RING, SNAP/R72	*	1					
13	1742-229-005-10	GEAR/SPUR/19	*	1					
14	1302-225-003-00	SPRING, SHIFTER	*	1					
15	V682-200-001-00	BALL, STEEL	*	1					
16	1524-244-005-00	O-RING	*	1					
17	1742-229-007-20	SHAFT/PTO/E3	*	1					
18	V600-110-620-60	BEARING, RB/6206	*	1					
19	V600-110-630-60	BEARING, RB/6306	*	1					
20	1614-244-002-00	SLEEVE	*	1					
21	1614-244-005-00	SEAL/OIL	*	1					
22	1742-229-006-00	METAL/SEAL	*	1					
23	1444-314-009-10	CAP, PTO SHAFT	*	1					
24	V231-360-801-20	FLANGE BOLT/M8X12	*	2					
25	1620-255-220-10	ARM/SHIFT/MID COMP	*	1					
26	1620-255-208-00	PLATE/I/30X50	*	1					
27	V231-360-801-20	FLANGE BOLT/M8X12	*	1					
28	V720-102-401-40	O-RING/1A, P14	*	1					
29	1742-229-200-00	ARM/PLATE/MID COMP	*	1					
30	V580-140-602-50	PIN, SPRING/6X25 W	*	1					

FIG. 53 BRAKE(PARKING)SYSTEM(TG5395)

1747-313B-0100

KEY	PART CODE	DESCRIPTION	S P C	TYPE OF MODEL		I T C	C O L	G R P	REMARKS
				TG5395 FH	TG5475 FH				
1	1740-313-300-10	LEVER/PARKING ASSY	*	1					
2	1442-313-202-00	ROD	*	1					
3	1444-328-273-00	SPRING	*	1					
4	1444-328-272-00	BUTTON	*	1					
5	1740-313-301-00	GRIP/ORANGE	*	1					
6	V231-360-801-60	FLANGEBOLT/M8X16	*	2					
7	1746-313-200-10	BRACKET/PARKING COMP	*	1					
8	V231-361-001-60	FLANGEBOLT/M10X16	*	2					
9	1746-313-001-10	ROD/LH/M08X205	*	1					
10	1560-132-007-30	NUT/LH/M08	*	1					
11	1444-122-002-00	TURNBUCKLE/M8	*	1					
12	1594-314-001-00	ROD/90 RH	*	1					
13	V304-260-008-00	NUT/M8	*	1					
14	V411-260-008-00	WASHER, PL/M8	*	2					
15	V500-162-002-00	PIN, SPLIT/2X20	*	2					
16	1746-313-210-00	ARM/BRAKE SET	*	1					
17	V511-100-805-00	PIN, TAPER/8X50	*	1					
18	V763-150-000-00	NIPPLE, GREASE/PT1/8	*	1					
19	1747-313-300-00	BRACKET/PARKING ASSY	*	1					
20	3664-540-001-00	BUSH/22X25X20	*	2					
21	V231-361-002-00	FLANGEBOLT/M10X20	*	4					
22	1746-313-260-00	PLATE/PARKING/A COMP	*	2					
23	V304-260-012-00	NUT/M12	*	2					
24	1746-313-002-00	ROD/M12X80	*	2					
25	1746-313-270-00	PLATE/PARKING/B COMP	*	2					
26	3640-432-006-00	NUT/M12/LH	*	2					
27	1627-122-008-00	PIN/10X25	*	4					
28	V411-260-010-00	WASHER, PL/M10	*	4					
29	V500-162-502-00	PIN, SPLIT/2.5X20	*	4					

CLICK HERE TO **DOWNLOAD** THE COMPLETE MANUAL

- Thank you very much for reading the preview of the manual.
- You can download the complete manual from: www.heydownloads.com by clicking the link below

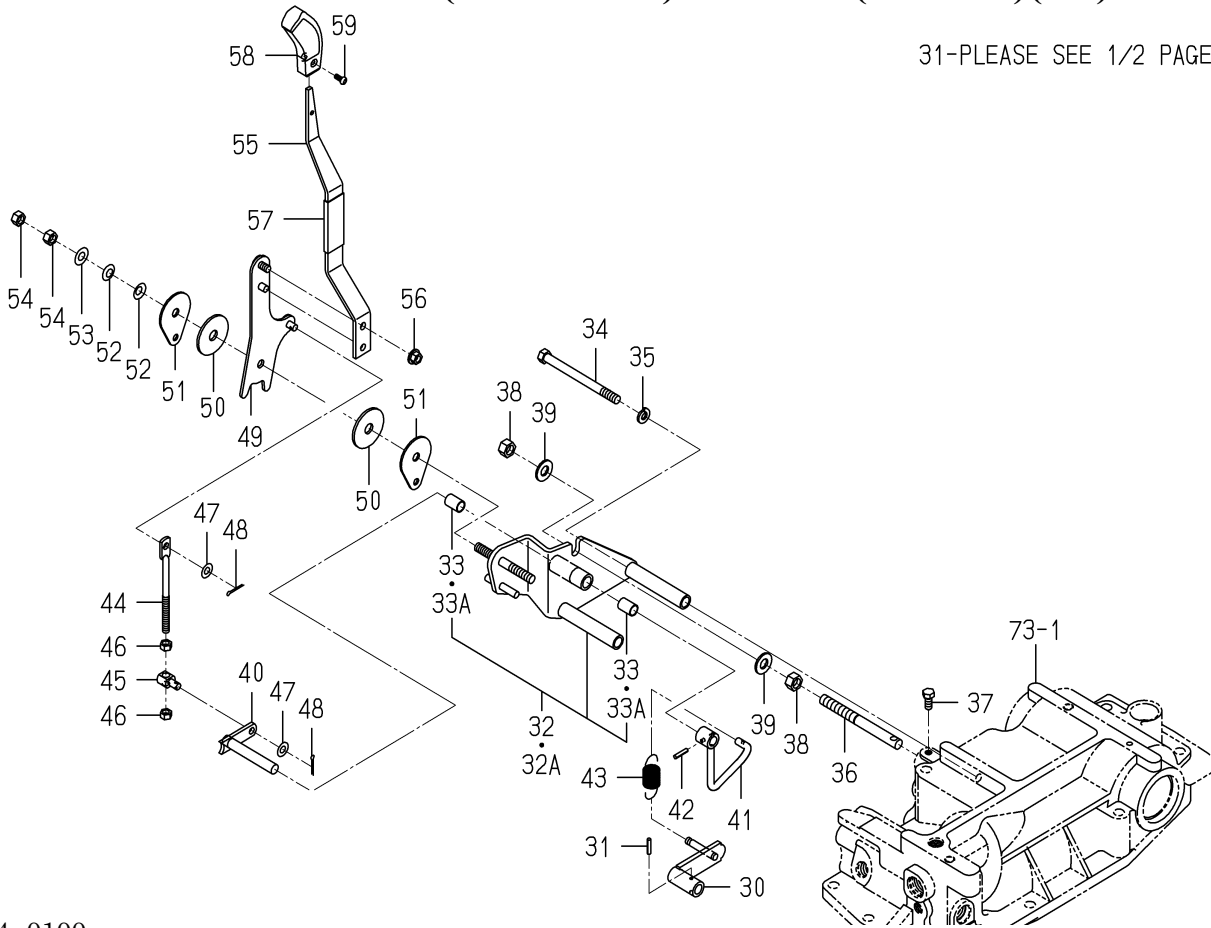


- Please note: If there is no response to CLICKING the link, please download this PDF first and then click on it.

CLICK HERE TO **DOWNLOAD** THE COMPLETE MANUAL

FIG. 75 CONTROL(POSITION)SYSTEM(TG5395)(2/2)

31-PLEASE SEE 1/2 PAGE

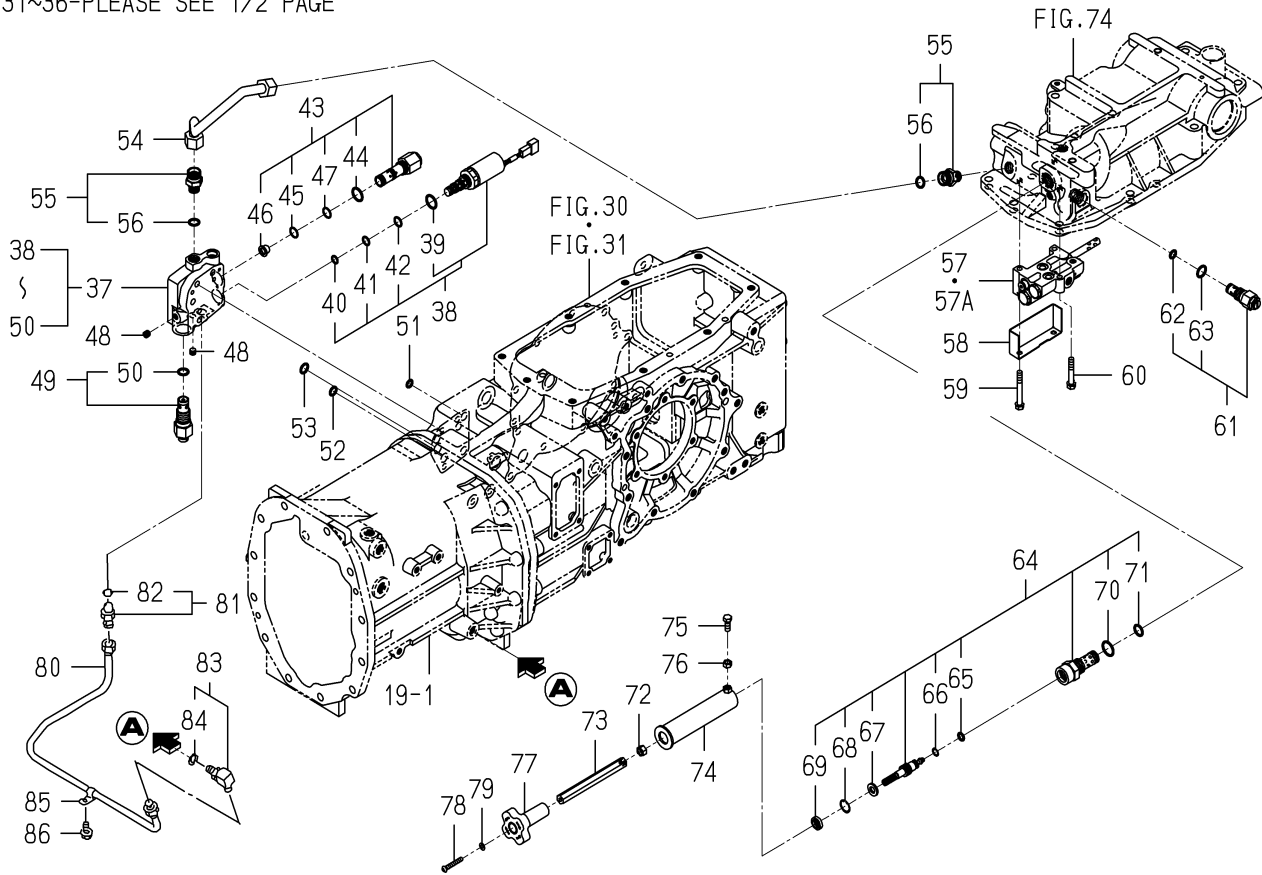


1742-504 -0100

KEY	PART CODE	DESCRIPTION	S P C	TYPE OF MODEL		I T C	C O L	G R P	REMARKS
				TG5395 FH	TG5475 FH				
31	V 580-140-402-00	PIN,SPRING/4X20 W	*	1					
32	1742-504-270-00	BRACKET ASSY	*	1 -203					
32A	1742-504-270-10	BRACKET ASSY	*	1 204-		1			
33	1560-511-015-00	BUSH/12X14X20	*	2 -203					
33A	1560-511-015-10	BUSH/12X14X20	*	2 204-		1			
34	V 201-261-012-00	BOLT/M10X120	*	2					
35	V 401-160-010-00	WASHER,SP/M10	*	2					
36	1742-504-008-00	PIN/12X128	*	1					
37	1729-266-035-00	BOLT/SM/M08X20	*	1					
38	V 305-260-012-00	NUT/M12	*	2					
39	V 411-260-012-00	WASHER,PL/M12	*	2					
40	1742-504-250-00	ARM COMP	*	1					
41	1723-511-200-00	ARM COMP	*	1					
42	V 580-140-402-00	PIN,SPRING/4X20 W	*	1					
43	1560-511-006-50	SPRING	*	1					
44	1742-504-004-00	ROD/M08X120	*	1					
45	1673-565-003-00	PIN	*	1					
46	V 304-260-008-00	NUT/M8	*	2					
47	V 411-260-008-00	WASHER,PL/M8	*	2					
48	V 500-163-002-00	PIN,SPLIT/3X20	*	2					
49	1742-504-260-00	LEVER/PLATE COMP	*	1					
50	1600-505-007-10	LINING/13X50X03	*	2					
51	1560-511-012-00	PLATE	*	2					
52	1614-505-004-00	SPRING/WASHER	*	2					
53	V 411-260-010-00	WASHER,PL/M10	*	1					
54	V 335-260-010-00	NUT/M10,P=1.25	*	2					
55	1742-504-005-30	LEVER/PLATE	*	1					
56	V 362-260-008-00	NUT/WASHER/M8	*	1					
57	1614-262-006-00	INSULATOR/LEVER/SUB	*	1					
58	1614-505-007-00	GRIP/03X17X97	*	1					

FIG. 79 PIPING(MAIN)SYSTEM(TG5475)(2/2)

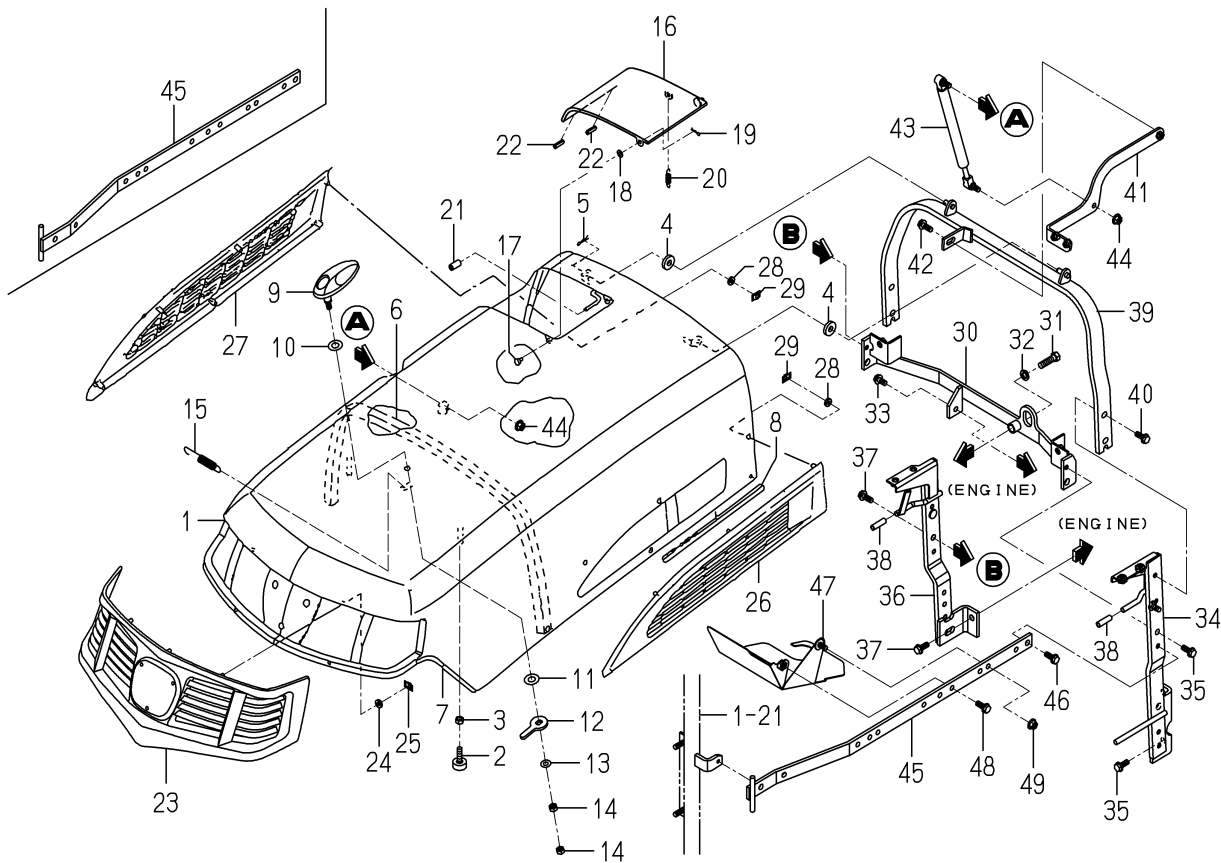
31~36-PLEASE SEE 1/2 PAGE



1748-508F-0100

KEY	PART CODE	DESCRIPTION	S P C	TYPE OF MODEL		I T C	C O L	G R P	REMARKS
				TG5395 FH	TG5475 FH				
31	V782-160-000-2T	PLUG/SCREW/SEAL	*		1				
32	1742-508-310-20	PIPE/DEL/MID COMP	*		1				
33	1729-508-290-20	ADAPTER/G3/8 ASSY	*		1				
34	V720-112-401-40	O-RING/1B,P14	*		1				
35	1675-508-003-00	HOLDER/15	*		2				
36	V231-360-801-20	FLANGE BOLT/M8X12	*		2				
37	K200-114-000-30	VALVE/INDEPENDENT	*		1				
38	K290-003-000-30	VALVE/PRV/B ASSY	*		1				
39	V720-112-402-00	O-RING/1B,P20	*		1				
40	K290-001-001-00	O-RING/AS568/013	*		1				
41	K290-001-002-00	O-RING/AS568/014	*		1				
42	K290-001-003-00	O-RING/AS568/015	*		1				
43	K200-114-100-10	VALVE/FLOW PRIORITY/	*		1				
44	V720-112-402-00	O-RING/1B,P20	*		1				
45	V723-111-501-60	O-RING/1B,S16	*		1				
46	1650-508-002-00	FILTER/LINE/12X18X15	*		1				
47	K211-066-103-00	RING/O/F404/1015	*		1				
48	V780-140-000-2T	PLUG/SCREW/SEAL	*		2				
49	K250-057-000-00	VALVE/RELIEF ASSY	*		1				
50	V720-112-402-00	O-RING/1B,P20	*		1				
51	V720-112-401-00	O-RING/1B,P10A	*		4				
52	V720-112-401-20	O-RING/1B,P12	*		1				
53	V720-112-401-40	O-RING/1B,P14	*		1				
54	1742-508-270-20	PIPE/DEL/REAR COMP	*		1				
55	1729-508-290-20	ADAPTER/G3/8 ASSY	*		2				
56	V720-112-401-40	O-RING/1B,P14	*		2				
57	K211-073-000-00	VALVE/CONTROL ASSY	*		1				FIG 193
57A	K211-107-000-00	VALVE/CONTROL/107	*		1				FIG 195
58	1742-508-009-00	COVER/VALVE	*		1				
59	V211-260-806-50	BOLT,S/M8X65	*		2				

FIG. 92 HOOD(LONG)SYSTEM(TG5395-R TYPE)

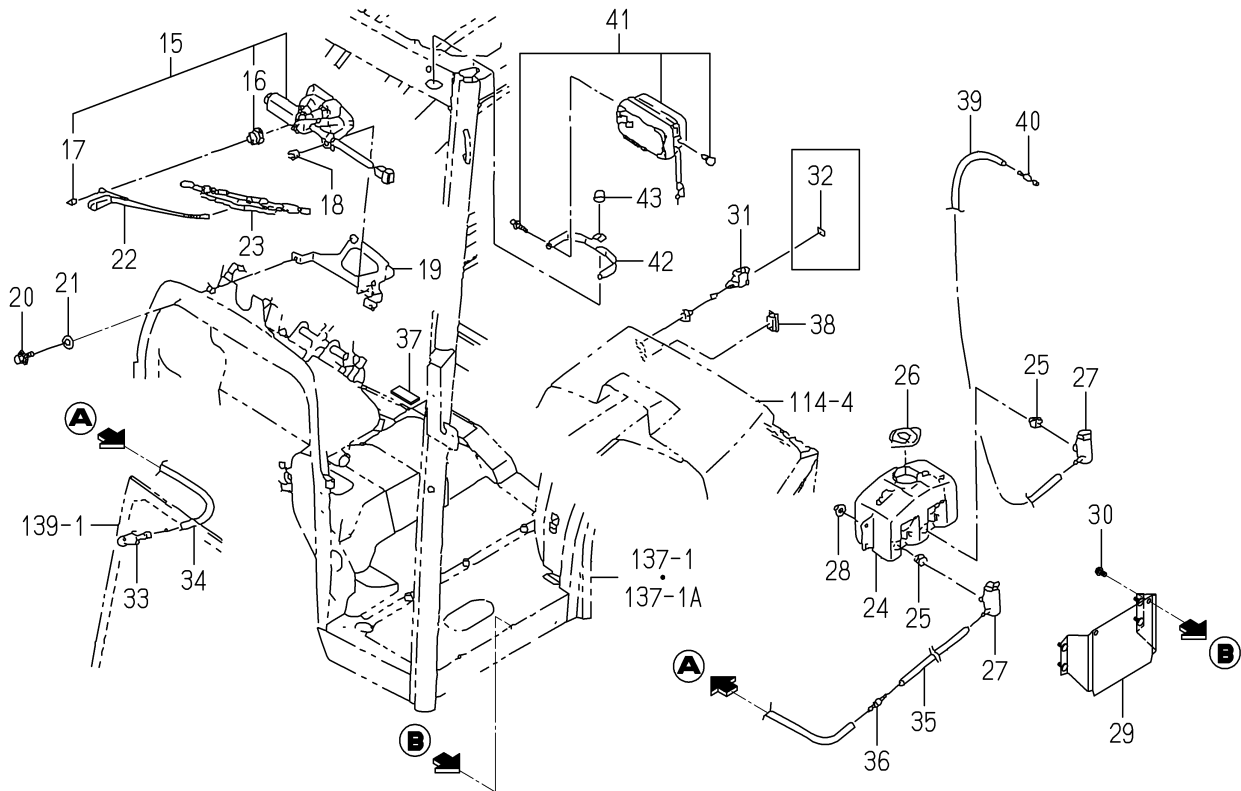


1747-601-0100

KEY	PART CODE	DESCRIPTION	S P C	TYPE OF MODEL		I T C	C O L	G R P	REMARKS
				TG5395 FH	TG5475 FH				
1	1729-601-200-70	HOOD COMP	*	1			4L		
2	1421-602-005-10	CUSHION,B/ RUBBER	*	2					
3	V304-460-008-00	NUT/M8/7T	*	2					
4	1423-616-004-00	CUSHION/RUBBER/10X25	*	2					
5	V560-160-008-00	PIN/SNAP	*	1					
6	1729-601-004-20	INSULATOR	*	1					
7	1636-630-008-00	TRIM/150	*	2					
8	3670-840-006-00	TRIM/270	*	2					
9	1650-601-001-00	HANDLE	*	1					
10	1650-601-007-00	WASHER/12X25X02	*	1					
11	3610-440-018-00	WASHER	*	1					
12	1716-601-002-00	ARM/PLATE	*	1					
13	V411-260-008-00	WASHER,PL/M8	*	1					
14	V304-260-008-00	NUT/M8	*	2					
15	1588-117-001-00	SPRING/HE089	*	1					
16	1729-601-220-20	COVER COMP	*	1			4L		
17	1716-601-021-00	PIN/06X07	*	1					
18	V411-260-006-00	WASHER,PL/M6	*	1					
19	V560-160-006-00	PIN/SNAP	*	1					
20	1716-601-018-00	SPRING/HE036	*	1					
21	1716-601-019-00	TUBE/06X10X20	*	1					
22	1672-601-002-00	TRIM/20	*	2					
23	1729-601-001-20	MOLDING/FRONT	*	1					
24	1444-601-015-00	WASHER/6X14X3	*	5					
25	V350-160-006-00	NUT,SPEED/M6	*	5					
26	1729-601-002-20	MOLDING/LH	*	1					
27	1729-601-003-20	MOLDING/RH	*	1					
28	1444-601-015-00	WASHER/6X14X3	*	12					
29	V350-160-006-00	NUT,SPEED/M6	*	12					
30	1729-601-300-10	BRACKET/FRAME COMP	*	1					

FIG.127 ELC.(CABIN)SYSTEM(TG5395-C TYPE)(2/3)

44~59-PLEASE SEE 3/3 PAGE

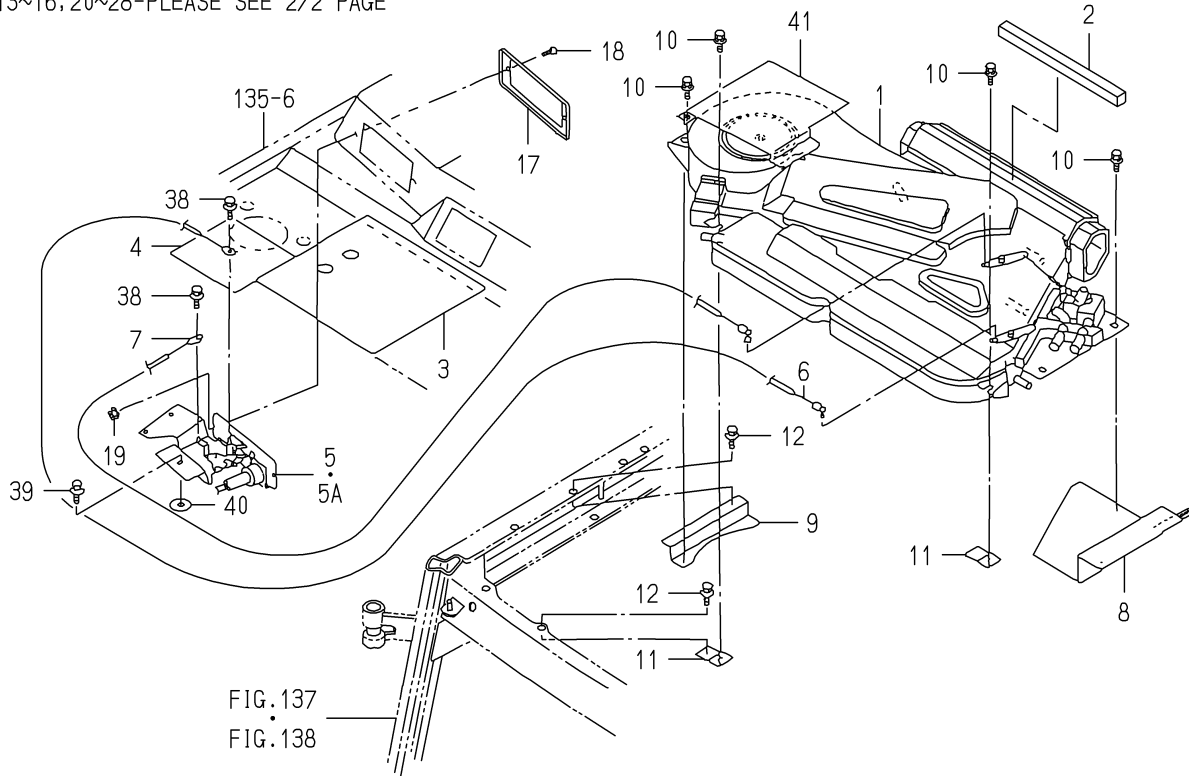


1746-658A-0100

KEY	PART CODE	DESCRIPTION	S P C	TYPE OF MODEL		I T C	C O L	G R P	REMARKS
				TG5395 FH	TG5475 FH				
30	V231-360-801-60	FLANGE BOLT/M8X16	*	2					
31	1518-621-540-00	SWITCH,WIPER ASSY	*	1					
32	1746-658-002-00	LABEL/WASHER/WIPER/F	*	1					
33	1691-658-200-00	NOZZLE/WASHER ASSY	*	1					
34	1704-666-058-10	HOSE/4100	*	1					
35	1650-658-005-00	HOSE/600	*	1					
36	1691-658-003-00	JOINT/WASHER	*	1					
37	1757-705-011-00	INSULATOR/05X25X60	*	1					
38	1742-658-002-00	CAP/22X38	*	1					
39	1704-666-058-10	HOSE/4100	*	1					
40	1518-621-532-00	VALVE,CHECK	*	1					
41	1696-658-340-20	LAMP/WORKING ASSY	*	2					FIG 199
42	1729-658-004-00	STAY/LAMP/WORKING	*	2					
43	V363-260-008-00	NUT/WASHER/M8	*	1					
44	1521-621-600-00	REAR DIFF SWITCH	*	1					
45	1521-621-601-00	DIFF LOSTING MARK	*	1					
46	1711-666-052-10	LABEL/LAMP/F/E4	*	1					
47	1742-658-002-00	CAP/22X38	*	1					
48	V210-360-601-60	BOLT,SP/M6X16	*	2					
49	3612-631-001-00	CLAMP,WINKER B	*	2					
50	1729-658-003-30	STAY/AUDIO	*	1					
51	1742-658-220-10	STAY COMP	*	2					
52	1742-658-001-10	PLATE/I/190X60	*	1					
53	1719-720-051-00	SCREW/TRUSS/M05X10	*	6					
54	V230-360-601-20	FLANGE BOLT/M6X12	*	2					
55	2144-501-012-00	BOLT/M6X20/16	*	1					
56	1729-658-320-00	SPAKER SET	*	2					
57	1673-666-621-00	COVER/SPEAKER COMP	*	2					
58	V111-174-001-60	SCREW/M4X16	*	8					
59	V360-260-004-00	NUT/WASHER/M4	*	8					

FIG.147 AIR CONDITIONER(CABIN)SYSTEM(1/2) (TG5475-CY TYPE)

13~16,20~28-PLEASE SEE 2/2 PAGE

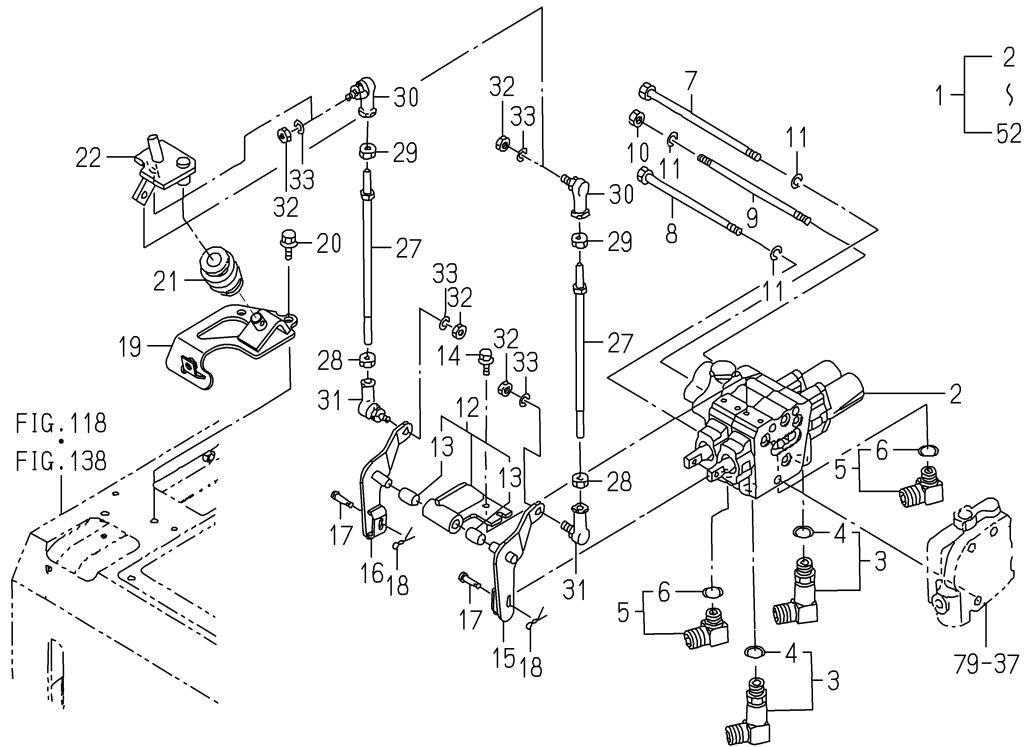


1734-782 -0100

KEY	PART CODE	DESCRIPTION	S P C	TYPE OF MODEL		I T C	C O L	G R P	REMARKS
				TG5395 FH	TG5475 FH				
1	1729-782-510-20	AIRCONDITIONER ASSY	*		1				FIG 201
2	1716-782-005-00	INSULATOR/20X280	*		1				
3	1729-782-029-00	INSULATOR/280X260	*		2				
4	1729-782-031-00	INSULATOR/150X150	*		1				
5	1729-782-610-20	PANEL/CONTROL SET	*		1				FIG 202
5A	1729-782-610-30	PANEL/CONTROL SET	*		100-101	1			FIG 202
6	1729-782-024-10	CABLE/1180	*		1				
7	1729-782-026-00	CABLE/505	*		1				
8	1729-782-260-10	STAY/LH COMP	*		1				
9	1729-782-270-00	STAY/RH COMP	*		1				
10	2144-501-012-00	BOLT/M6X20/16	*		6				
11	1729-782-280-00	PLATE COMP	*		2				
12	V230-360-601-20	FLANGEBOLT/M6X12	*		6				
13	1731-782-004-00	HOSE/DRAIN/1750	*		2				
14	1729-782-016-00	HOSE/DRAIN/1800	*		1				
15	1731-782-003-00	HOSE/DRAIN/2000	*		105-1				
15A	1731-782-003-00	HOSE/DRAIN/2000	*		105-2				
16	1716-782-004-00	HOSE/DRAIN/400	*		106-1				
17	1729-782-007-00	PANEL/AC	*		1				
18	1729-705-008-00	SCREW/TRUSS/M05X12	*		2				
19	V360-260-005-00	NUT/WASHER/M5	*		2				
20	1729-782-005-20	DUCT/LH	*		1				
21	1729-782-006-20	DUCT/RH	*		1				
22	1729-782-001-00	GRILLE/AIR/TWIN	*		2				
23	1729-782-002-10	GRILLE/AIR	*		4				
24	3824-248-045-00	INSULATOR	*		1				
25	1734-782-230-00	HOSE/COOLER/S ASSY	*		1				
26	3824-248-342-00	O-RING	*		2				
27	1734-782-220-10	HOSE/COOLER/L ASSY	*		1				
28	3824-248-332-00	SWITCH/PRESSURE	*		1				

FIG.175 JOYSTICK(E4)SET(TG5475)(OPTION)(1/2)

23~26-PLEASE SEE 2/2 PAGE



1744-511A-0100

KEY	PART CODE	DESCRIPTION	S P C	TYPE OF MODEL		I T C	C O L	G R P	REMARKS
				TG5395 FH	TG5475 FH				
1	1744-511-300-40	JOYSTICK/E4 SET	T		1				
2	K211-074-000-20	VALVE/CONTROL/074	T		1				FIG 194
3	1650-511-250-00	ADAPTER/L/PF3/8 ASSY	T		2				
4	V720-112-401-40	O-RING/1B,P14	T		2				
5	1650-509-310-00	ADAPTER/L/PF3/8 ASSY	T		2				
6	V720-112-401-40	O-RING/1B,P14	T		2				
7	V201-261-017-00	BOLT/M10X170	T		1				
8	V201-261-015-00	BOLT/M10X150	T		1				
9	1742-511-002-00	BOLT/STUD	T		1				
10	V304-260-010-00	NUT/M10	T		1				
11	V401-160-010-00	WASHER,SP/M10	T		3				
12	1742-511-370-00	PLATE/JOY ASSY	T		1				
13	1560-509-211-00	BUSH/10X12X20	T		2				
14	V230-360-601-20	FLANGE BOLT/M6X12	T		3				
15	1742-511-310-00	ARM/BOOM COMP	T		1				
16	1742-511-320-00	ARM/BUCKET COMP	T		1				
17	3805-544-016-00	PIN/06X23	T		2				
18	V560-160-008-00	PIN/SNAP	T		2				
19	1742-511-330-20	BRACKET COMP	T		1				
20	V231-360-802-00	FLANGE BOLT/M8X20	T		3				
21	P112-401-220-00	JOINT ASSY	T		1				
22	1742-511-340-00	BASE/LEVER COMP	T		1				
23	1742-511-350-10	LEVER/JOYSTICK COMP	T		1				
24	1600-502-003-00	BOLT,SM/M08X25	T		1				
25	V304-260-008-00	NUT/M8	T		1				
26	1672-207-003-00	GRIP	T		1				
27	1744-511-210-00	ROD/M8X309 COMP	T		2				
28	1560-132-007-30	NUT/LH/M08	T		2				
29	V304-260-008-00	NUT/M8	T		2				
30	1560-695-021-00	JOINT BALL M08RH	T		2				

Numerical Index

6005-097-115-10

Part Code	Fig. Key	Part Code	Fig. Key	Part Code	Fig. Key
6212-114-095-30	16 1	6212-629-009-00	13 17	6213-743-002-10	19 10
6212-116-095-30	16 3	6212-629-010-00	13 18		27 20
6212-121-029-30	15 2	6213-100-010-00	18 1	6214-111-023-00	4 1
6212-124-029-30	16 2	6213-119-001-00	7 48	6214-115-003-10	4 2
6212-126-029-30	16 4		18 3		27 6
6212-211-002-00	15 3	6213-129-003-00	18 2	6214-141-048-00	5 1
6212-230-011-30	15 5	6213-129-004-00	17 7	6214-145-004-20	5 2
6212-235-004-10	15 6	6213-129-006-00	7 17		27 7
6212-271-009-00	15 7	6213-140-013-00	18 5	6214-145-009-00	6 2
6212-273-009-00	8 5	6213-149-003-20	18 7		27 23
6212-274-009-00	8 6	6213-160-005-00	11 30	6214-400-009-10	6 1
6212-310-011-40	17 1	6213-161-003-10	11 31	6214-435-026-00	6 6
6212-310-011-50	17 1-A	6213-164-001-00	11 32	6215-300-037-00	21 1
6212-330-100-00	17 5	6213-240-005-10	18 9	6215-311-005-00	28 16
6212-333-002-00	17 6	6213-311-055-00	18 13	6215-315-002-00	21 2
6212-371-035-20	17 9	6213-311-057-10	18 10	6215-315-005-00	21 4
6212-511-005-00	14 1	6213-311-057-20	18 10-A	6215-315-006-00	21 3
6212-521-008-00	17 3	6213-311-061-00	7 32	6215-315-007-00	21 5
6212-522-004-10	14 2	6213-311-078-00	7 32-A	6215-330-022-00	28 1
6212-523-021-00	14 6	6213-342-007-00	7 36	6215-332-006-00	28 15
6212-524-012-30	22 9	6213-342-008-10	7 35	6215-339-004-00	28 14
6212-530-017-00	11 47	6213-342-013-00	7 35-A	6215-342-002-00	28 13
6212-530-023-00	11 47-A	6213-610-011-20	19 1	6215-343-002-00	28 12
6212-531-008-30	7 8	6213-614-013-00	19 2	6215-345-044-00	28 2
6212-535-007-00	14 4		27 18	6215-345-045-00	28 3
6212-535-009-00	22 13	6213-614-014-00	19 18	6215-345-046-00	28 4
6212-551-019-00	13 1		27 19	6215-345-047-00	28 5
6212-552-008-00	13 2	6213-619-006-00	19 17	6215-345-048-00	28 6
6212-561-003-00	13 3	6213-641-022-10	20 2	6215-345-049-00	28 7
6212-563-001-00	13 4	6213-641-022-20	20 2-A	6215-345-050-00	28 8
6212-563-005-00	13 4-A	6213-660-015-00	20 1	6215-345-051-00	28 9
6212-565-001-00	13 5	6213-669-009-00	20 3	6215-345-052-00	28 10
6212-569-002-00	2 4	6213-671-058-00	20 5	6215-345-053-00	28 11
	27 2	6213-674-012-20	25 2	6215-359-003-00	28 17
6212-571-002-30	13 6	6213-711-003-20	19 14	6215-359-004-00	28 18
6212-575-003-00	13 7	6213-716-003-20	19 9	6215-359-006-00	29 52
6212-600-019-00	13 8	6213-719-002-00	19 6	6215-411-136-00	23 2
6212-611-014-00	13 9	6213-721-001-00	9 5	6215-411-137-00	21 6
6212-620-017-00	13 10	6213-721-005-00	7 24	6215-411-138-00	21 7
6212-626-003-00	13 11		7 46	6215-411-139-00	21 8
6212-628-022-00	13 12	6213-721-007-00	7 23	6215-412-004-00	23 1
6212-628-023-00	13 13	6213-721-015-00	7 24-A	6215-520-007-10	22 15
6212-629-006-00	13 14		7 46-A	6215-526-004-00	22 17
6212-629-007-00	13 15	6213-729-004-10	19 4	6215-531-019-00	22 23
6212-629-008-00	13 16	6213-729-013-10	19 5	6215-537-002-10	22 32

Numerical Index

6008-097-300-10

Part Code	Fig. Key	Part Code	Fig. Key	Part Code	Fig. Key
V231-360-802-00	11 2 21 9 25 3	V723-102-006-30	27 21		
V231-360-802-50	4 3 18 16				
V231-360-803-00	10 11				
V231-360-805-00	10 8 18 6				
V231-360-805-50	12 19				
V231-360-806-00	10 9				
V231-360-807-50	18 17				
V231-360-809-00	10 5				
V251-340-803-50	10 37				
V251-340-806-00	6 20				
V252-261-002-50	10 45				
V301-260-006-00	21 30				
V304-260-010-00	10 52				
V304-460-008-00	5 7				
V334-260-010-00	25 6				
V341-120-008-00	10 15				
V401-160-006-00	21 32 26 10				
V401-160-008-00	5 8 10 51 10 55 21 8				
V401-160-010-00	10 53				
V411-260-006-00	21 31				
V523-101-001-80	9 2 16 2				
V682-200-000-60	2 5				
V704-140-016-00	12 15				
V705-140-012-00	10 27				
V710-140-004-00	21 23				
V720-101-900-80	21 27				
V720-102-401-80	8 3 10 28				
V720-103-502-20	17 9 27 17				
V720-103-502-50	6 33				
V721-113-105-00	18 5 27 18				
V723-102-006-30	10 43 18 20 27 16				

Numerical Index

1747-097-100-10

Part Code	Fig. Key	Part Code	Fig. Key	Part Code	Fig. Key
1705-904-002-10	154 11	1716-601-017-00	100 2	1719-740-005-00	142 9
1710-241-052-00	30 2		100 8	1719-740-200-00	142 7
	31 2		101 2	1719-740-210-00	142 8
1711-433-200-20	68 10		101 7	1719-742-210-00	143 12
1711-433-210-10	68 20		102 2	1719-742-230-10	143 19
1711-438-200-10	170 1		102 8	1719-742-231-00	143 20
1711-438-201-00	170 3		103 2	1719-742-232-00	143 21
	170 8		103 7	1719-742-233-00	143 22
1711-438-202-00	170 4	1716-601-018-00	92 20	1719-742-234-00	143 23
	170 9		93 22	1719-742-235-10	143 24
1711-438-210-10	170 6		94 21	1719-742-236-00	143 25
1711-438-220-00	170 2		95 21	1719-742-237-00	143 26
	170 7	1716-601-019-00	92 21	1719-780-210-00	144 11
1711-666-052-10	127 46		93 23	1719-780-220-00	145 17
	128 49		94 22	1723-407-001-20	58 19
1711-666-053-10	183 6		95 22	1723-407-200-30	58 3
1716-105-001-00	8 35	1716-601-021-00	92 17	1723-407-200-40	58 3-A
	8 37		93 19	1723-407-200-50	58 3-B
	8 41		94 18	1723-407-210-10	200 1
	9 41		95 18	1723-407-210-20	200 1-A
	10 37	1716-680-222-00	129 24	1723-407-210-30	200 1-B
1716-112-001-00	120 2	1716-680-330-00	129 23	1723-407-250-00	200 6
1716-112-001-10	120 2-A	1716-782-004-00	147 16	1723-407-260-20	200 11
1716-127-011-00	20 9	1716-782-005-00	146 2	1723-407-260-30	200 11-A
1716-501-006-10	15 19		147 2	1723-407-260-40	200 11-B
	73 16	1717-506-003-00	80 79	1723-407-262-00	200 2
	74 14		81 75		200 12
1716-601-002-00	92 12	1719-209-202-00	204 9	1723-407-263-00	200 5
	93 14		205 9		200 15
	94 13	1719-266-341-00	11 8-A	1723-407-300-20	58 1
	95 13		11 14-A	1723-508-002-00	78 26
1716-601-009-00	92 38	1719-312-001-00	51 5	1723-511-200-00	75 41
	93 40		52 5		76 41
	94 39	1719-508-793-00	78 8	1723-530-010-20	174 48
	95 39		79 8		175 48
	98 16	1719-509-002-00	80 45	1723-902-007-00	174 51
	99 17		81 41		175 51
	100 16	1719-509-005-00	81 38	1723-902-008-00	174 52
	101 15	1719-631-052-00	117 14		175 52
	102 17		119 14	1724-509-380-00	80 77
	103 15	1719-720-051-00	127 53		81 73
1716-601-017-00	98 2		128 56	1725-112-212-00	120 17
	98 8	1719-730-001-10	140 15		121 13
	99 2		143 14	1725-112-213-00	120 18
	99 8	1719-730-003-00	135 10		121 14

Numerical Index

1747-097-100-10

Part Code	Fig. Key	Part Code	Fig. Key	Part Code	Fig. Key
1746-652-500-00	122 69	1746-802-002-00	145 28	1747-102-001-10	2 24
	123 69	1746-802-003-00	145 44		3 24
1746-654-051-00	125 33	1746-802-004-00	145 45	1747-102-800-10	1 21
1746-654-200-10	124 7	1746-803-001-00	96 20	1747-116-001-00	129 5
	125 7		97 19-A	1747-116-001-10	129 5-A
1746-654-201-10	124 10		145 24	1747-116-001-20	129 5-B
	124 16	1746-803-002-00	1 26	1747-116-003-20	11 22
	125 10		2 28	1747-116-005-00	11 6
	125 16		3 28	1747-116-006-00	11 8
1746-654-210-10	124 13	1746-803-003-00	145 25		11 14
	125 13	1746-803-004-00	145 26	1747-116-007-10	11 10
1746-654-510-00	125 34	1746-804-001-00	1 5	1747-116-200-10	11 1
1746-658-002-00	127 32		2 8	1747-116-210-00	11 3
	128 35		3 8	1747-116-230-00	11 20
1746-658-210-00	127 9	1746-804-003-00	1 17	1747-116-250-10	11 4
	128 9		1 24	1747-116-270-10	11 15
1746-658-250-20	183 1		2 17	1747-116-280-00	11 7
1746-662-220-00	129 12		3 17	1747-116-290-10	11 13
1746-662-240-10	129 8	1746-804-004-00	2 27	1747-201-051-00	14 1
1746-670-001-00	185 2		3 27		15 1
1746-670-002-00	185 5		6 6	1747-201-055-00	14 16
1746-670-003-00	185 8		6 8		15 16
1746-670-210-00	185 9		7 6	1747-201-056-00	14 18
1746-670-220-00	185 13		7 8	1747-201-057-00	14 19
1746-670-230-00	185 1	1746-811-001-00	120 4	1747-201-058-00	14 2-A
1746-720-001-20	137 22		121 4		15 2-A
	138 21	1746-815-001-00	96 14	1747-203-051-00	16 12
1746-720-002-10	137 23		97 13	1747-203-500-00	16 1
	138 22	1746-816-001-00	1 25	1747-203-500-10	16 1-A
1746-720-400-10	137 18		80 38-A	1747-203-500-20	16 1-B
	138 17		81 35-A	1747-203-501-00	207 1
1746-781-001-00	146 11	1746-816-002-00	96 18	1747-203-502-00	207 2
1746-781-220-10	146 3		96 24	1747-203-503-00	207 4
1746-781-221-10	206 3		97 17	1747-203-504-00	207 6
	206 14		97 23	1747-203-505-00	207 7
1746-781-222-00	206 1	1746-817-001-00	1 29	1747-203-506-00	207 10
1746-801-002-00	96 11		2 31	1747-203-507-00	207 11
	96 15		3 31	1747-203-508-00	207 13
	96 15-A	1746-901-001-10	148 4	1747-203-509-00	207 14
	97 10	1746-901-002-10	148 5	1747-203-510-00	16 10
	97 14	1746-902-004-00	151 4	1747-203-511-00	207 15
	97 14-A	1746-902-007-10	151 3	1747-203-512-00	207 16
1746-802-001-00	145 21	1746-902-051-00	154 1	1747-209-051-00	17 1
1746-802-002-00	96 16	1746-904-051-00	150 1		18 1
	97 15	1747-102-001-10	1 23	1747-209-052-00	17 4

Numerical Index

1747-097-100-10

Part Code	Fig. Key	Part Code	Fig. Key	Part Code	Fig. Key
V231-360-803-00	85 26	V240-461-608-50	158 14	V302-460-016-00	159 16
V231-361-001-60	53 8		159 4		160 6
	54 8		159 14		160 16
	80 81		160 4	V304-260-008-00	11 19
	81 77		160 14		51 14
V231-361-002-00	8 14	V251-340-802-00	65 8		51 21
	17 32		66 8		52 14
	18 32	V251-341-002-50	68 6-A		52 21
	53 21	V251-341-003-00	45 17		53 13
	54 21		46 8		54 13
	80 59	V251-341-003-0D	69 40		57 13
	81 55	V251-341-203-20	14 4		75 17
V231-361-002-50	26 4		15 4		75 46
	27 3		60 2		76 17
	28 2		73 12		76 46
	29 2		74 10		78 25
	42 6	V251-341-203-50	14 9		78 76
	43 6		15 9		79 76
	69 42		19 7		80 3
	69 52	V251-341-204-00	61 2		81 3
	70 50	V251-341-205-00	19 5		83 30
	78 9	V251-341-206-00	14 8		85 30
	79 9		15 8		92 14
V231-361-003-00	4 5		19 6		93 16
	36 2	V251-341-404-50	69 8-A		94 15
	37 2	V251-341-603-50	69 56-A		95 15
	44 20	V251-341-604-00	69 56		108 16
	45 16	V251-441-003-50	46 9		120 14
	46 17	V251-441-403-50	67 3		121 10
	89 6	V300-460-016-00	158 5-A		174 25
	90 7		158 15		174 29
	91 7		158 15-A		174 32
V231-361-003-50	21 11		159 5		175 25
	45 20		159 15		175 29
	46 18		160 5		175 32
V231-361-004-00	20 16		160 15	V304-260-010-00	78 72
V231-361-005-50	21 10	V301-260-006-00	120 23		79 26
V231-361-203-50	46 4		121 19		79 72
	46 19		127 17		104 9
V231-361-206-00	45 3		128 20		105 9
	46 3		129 6		133 4
V231-361-207-00	45 4		203 1		134 4
V231-361-208-00	45 4-A	V302-460-016-00	158 6		174 10
V231-361-210-00	45 5		158 16		175 10
V240-461-608-50	158 4		159 6	V304-260-012-00	53 23

Alphabetical Index

6005-097-105-10

Description	Fig. Key	Description	Fig. Key	Description	Fig. Key
0-RING/1A, P18	11 34	PIPE/WATER/HOUSING	7 24-A	PLUG	13 11
0-RING/1A, P22A	18 6		7 46	PLUG/M14X1.5	9 2
	27 17		7 46-A	PLUG/PT1/2	2 3
0-RING/1A, P25	7 34	PIPE/WATERDRAIN	7 23	PLUG/PT1/4	11 2
0-RING/1A, P8	22 25	PISTON	15 1	PLUG/PT1/8	7 7
0-RING/1A, S50	11 44	PISTON(OV/050)	16 1	PLUG/SCREW	11 26
	27 16	PISTON(OV/100)	16 3	PLUNGER ASSY	29 1
0-RING/1A, S55	19 15	PISTON/VALVE/RELIEF	11 31	PULLEY	31 1
	27 21	PLATE	31 8	PULLEY/CRANK	17 9
PACKING	11 22	PLATE/ADJUST	25 2	PULLEY/WATERPUMP	20 2
PACKING/PCV	3 4	PLATE/FRONT	11 40		20 2-A
PIN	7 18	PLATE/REAR	10 1	PUSHROD	13 7
	7 29	PLATE/T=2.60	29 16	REGULATOR ASSY	31 26
	11 25	PLATE/T=2.65	29 17	REPAIR/ENGINESET	27 1
	29 11	PLATE/T=2.70	29 18	RESISTANCE/1.0	23 5
PIN, CONTROL	22 20	PLATE/T=2.75	29 19	RETAINER	30 7
PIN, ST, B/10X18	10 2	PLATE/T=2.80	29 20	RING SNAP	15 4
	17 2	PLATE/T=2.85	29 21	RING, SNAP/12 C	11 33
PIN/ARM	11 23	PLATE/T=2.90	29 22	RING, SNAP/4 E	22 21
PIN/GROOVE	11 28	PLATE/T=2.95	29 23	RING/PISTONSET	15 2
PIN/IDLEGEAR	7 8	PLATE/T=3.00	29 24	RING/SNAP	13 15
PIN/PISTON	15 3	PLATE/T=3.05	29 25	RINGGEAR	17 6
PIN/SNAP	11 24	PLATE/T=3.10	29 26	RINGPISTON/OV050 SET	16 2
PIN/SPRING	7 37	PLATE/T=3.15	29 27	RINGPISTON/OV100 SET	16 4
PIN/STRAIGHT	7 17	PLATE/T=3.20	29 28	RINK/CONTROL	22 19
	17 7	PLATE/T=3.25	29 29	ROCKERARM	13 9
	18 2	PLATE/T=3.30	29 30	ROCKERSHAFT ASSY	13 8
PIN/TUBE	7 16	PLATE/T=3.35	29 31	RORA	30 6
	11 45	PLATE/T=3.40	29 32	ROTOR ASSY	31 4
PINION/STARTER	30 8	PLATE/T=3.45	29 33	RUBBERFLANGE	7 41
PIPE, WATER DRAIN	9 5	PLATE/T=3.50	29 34	SCREW	30 14
PIPE, WATER OUTLET	19 14	PLATE/T=3.55	29 35	SCREW, SOCKET/M6X16	26 8
PIPE/FUEL	23 2	PLATE/T=3.60	29 36	SCREW, SOCKET/M6X20	18 4
PIPE/INJECTION ASSY	21 6	PLATE/T=3.65	29 37	SCREW/ADJUST	13 16
	21 7	PLATE/T=3.70	29 38	SCREW/TAPPING	3 3
	21 8	PLATE/T=3.75	29 39		7 45
PIPE/INLET	6 6	PLATE/T=3.80	29 40	SEAL, BEARING CAP	7 9
PIPE/OIL	7 32-A	PLATE/T=3.85	29 41		27 8
PIPE/OIL ASSY	18 10	PLATE/T=3.90	29 42	SEAL, BEARING CAP/7	7 10
	18 10-A	PLATE/T=3.95	29 43		27 9
PIPE/OIL COMP	7 32	PLATE/T=4.00	29 44	SEAL, OIL	2 4
	18 13	PLATE/T=4.05	29 45		11 7
PIPE/OILJET	7 35	PLATE/T=4.10	29 46		27 2
	7 35-A	PLATE/THRUST	14 4		27 12
PIPE/WATER/HOUSING	7 24	PLATE/THRUST/INJPUMP	22 13	SEAL/CYL HEAD/UNDER	3 6

Alphabetical Index

6008-097-300-10

Description	Fig. Key	Description	Fig. Key	Description	Fig. Key
ADAPTER/260X120 ASSY	24 1	BOLT, S/M6X35/7T	8 4	CONTROLRACK	29 48
ADAPTER/260X135 ASSY	23 1	BOLT, S/M8X25/7T	5 3	CONTROLSLEEVE	29 49
ARM/CONTROL	21 29	BOLT, SEMS/M12X40/7T	25 8	COVER, BEARING	31 5
ARM/FLOATING COMP	21 20	BOLT, SEMS/M8X35	5 9	COVER/BLOWBY	3 5
ARM/TENSION	23 2	BOLT/CONNECTINGROD	14 6	COVER/CYLINDER/HEAD	3 1
	24 2	BOLT/FLANGE	16 8	COVER/END/REAR	31 13
ARMATURE/STARTE ASSY	30 2		19 4	COVER/HOUSING	18 12
BALL	30 15		25 5	COVER/INJECTIONPUMP	6 26
BALL, STEEL	2 5	BOLT/M6	10 29	CRANKSHAFT ASSY	16 1
BEARING	10 48		10 30	CUP/SEALING/16	6 3
	10 49	BOLT/M6X10	21 18	CUP/SEALING/20	2 6
	30 4	BOLT/M8X55/7T	5 4		10 3
BEARING/BALL	21 13	BOLT/THROUGH	30 18	CUP/SEALING/28	6 4
	30 3	BOLT/WS	9 3	CUP/SEALING/36	6 5
	31 6		17 6	CUP/SEALING/50	2 2
	31 11		18 14		6 6
BEARING/CONNECTING R	14 7	BRACKET/ROCKERSHAFT	12 12	CUTTER, VALVE	12 5
BEARING/CRANK SET	6 12		12 13	CYLINDERBLOCK ASSY	6 1
BEARING/CRANK/LOWER	6 14	BRG/CONROD/UN025 SET	7 5		6 1-A
BEARING/CRANK/UPPER	6 13	BRG/CONROD/UN050 SET	7 6	CYLINDERHEAD ASSY	2 1
BEARING/THRUST/CRANK	6 15	BRG/CRANK/UN025 SET	7 1		2 1-A
	7 2	BRG/CRANK/UN050 SET	7 3	DOWEL	6 23
	7 4	BRUSH	31 17	EYEBOLT	29 50
BELT/VNR5A41. 0	19 5	BUSH	31 15	FAN/COOLING	19 1
BODY/OILPUMP	17 2	BUSHING/DRAIN	30 22	FLANGEBOLT/M6X10	10 35
BOLT	2 8		30 22-A	FLANGEBOLT/M6X12	6 28
	6 2		30 22-B	FLANGEBOLT/M6X16	10 33
	8 5	CAMSHAFT	13 1	FLANGEBOLT/M8X16	17 10
	10 41	CAMSHAFT/INJECTION P	21 10	FLANGEBOLT/M8X20	10 7
	12 18	CAP, OIL FILLER	3 7		11 2
	16 11	CAP/OILFILLER	6 32		21 9
	18 7	CAP/RABBER	30 24		25 3
	29 10	CARTRIDGE/OILFILTER	17 11	FLANGEBOLT/M8X25	4 3
	29 52	CLAMP	10 10		18 16
	31 9	CLAMP, 7	10 34	FLANGEBOLT/M8X30	10 11
	31 10	CLIP ASSY	20 10	FLANGEBOLT/M8X50	10 8
	31 19		20 10-A		18 6
	31 20	CLIP/HOSE/18-22	18 10	FLANGEBOLT/M8X55	12 19
	31 21	CLIP/HOSE/7. 6-8. 2	22 4	FLANGEBOLT/M8X60	10 9
	31 22	CLUTCH/STARTER ASSY	30 5	FLANGEBOLT/M8X75	18 17
	31 24	COLLOR	31 3	FLANGEBOLT/M8X90	10 5
BOLT (WS)	10 46	CONNECTINGROD ASSY	14 5	FLYWEIGHT ASSY	21 17
BOLT, S/M6X12/7T	13 5	CONNECTOR/FUEL	22 1	FLYWHEEL ASSY	16 5
	21 16	CONNECTOR/GLOWPLUG	26 6	FRAME/DRIVEEND ASSY	31 7
BOLT, S/M6X20/7T	18 21	CONNECTOR/OILFILTER	6 25	FRAME/END/REAR	31 12

Alphabetical Index

1747-097-100-10

Description	Fig. Key	Description	Fig. Key	Description	Fig. Key
CAP, ROCKER ARM	3 23	CAP/TANK/NONLEA ASSY	10 4	CHAIN/CHECK/F/E COMP	84 9
CAP, TIRE VALVE	158 10	CAP/W/T	127 26		85 9
	158 20		128 29	CHAIN/CHECK/FRONT/E4	82 10
	159 10	CARTRIDGE	80 56		83 10
	159 20		81 52	CHAIN/CHECK/REAR/E4	82 11
	160 10	CARTRIDGE/20	78 7		83 11
	160 20		79 7		84 10
	161 5	CASE, BEVEL	196 2		85 10
	161 10	CASE/BEVEL	65 7	CLAMP	2 13
	162 5		66 7		3 13
	162 10	CASE/BEVEL ASSY	86 10		62 9
	163 5		87 10		63 8
	163 10	CASE/CYLINDER ASSY	73 1		120 21
	165 5		74 1		121 17
	165 10	CASE/DIFF	44 1		129 45
	166 5		44 2		145 53
	166 10		64 10		185 14
	168 5		65 19	CLAMP, RADIATOR HOSE	177 23
	168 10		66 19		179 26
	169 5	CASE/FILTER COMP	135 24	CLAMP, WINKER B	127 49
	169 10	CASE/FINAL/LH	69 1		128 52
	170 5		70 1		137 21
	170 10		70 28		138 20
	171 5	CASE/FINAL/LH ASSY	69 16	CLAMP/22	145 47
	171 10		69 16-A	CLAMP/23	74 53
	172 5	CASE/FINAL/RH	69 2	CLAMP/23.5	145 48
	172 10		70 8	CLAMP/CABLE	202 2
CAP/09	146 11		70 33		206 2
CAP/22X38	127 38	CASE/FINAL/RH ASSY	69 18	CLAMP/LOCK	201 12
	127 47		69 18-A	CLAMP/RECEIVER/DRYER	145 29
	128 41	CASE/PTO	26 2	CLAMP/WIRE/20-24	6 12
	128 50		27 1	CLAMP/WIRE/24-32	80 66
CAP/30	2 26		28 1		81 62
	3 26		29 1	CLAMP/WIRE/30-38	1 13
	117 29	CASE/PUMP	17 7	CLAMP/WIRE/32-40	78 16
	117 30		18 7	CLAMP/WIRE/36-44	1 12
	119 28	CASE/TRANSMISSION/FR	14 1		2 12
	122 60		15 1		3 12
	123 60	CASE/TRANSMISSION/MI	19 1		79 16
CAP/OIL (30)	73 21	CASE/TRANSMISSION/RE	30 1	CLAMP/WIRE/49-60	6 10
	74 19		30 1-A	CLAMP/WIRE/54-65	7 10
CAP/SEAL/38	196 6		31 1	CLAMP/WORM/12-22	145 52
CAP/SWITCH/A/C	202 15		31 1-A		146 22
CAP/TANK/NONLEA ASSY	8 4	CASE/UNIT/LOWER	201 20		146 23
	9 4	CASE/UNIT/UPPER	201 21		146 35

Alphabetical Index

1747-097-100-10

Description	Fig. Key	Description	Fig. Key	Description	Fig. Key
INSULATOR/90	100 19	INSULATOR/LEVER/SUB	41 16	INSULATOR/SIDE/RH	98 11
INSULATOR/BALL	137 16		75 57		99 11
	138 15		76 57		99 12
INSULATOR/CENTER/300	139 4		176 12		100 11
INSULATOR/CENTER/435	139 4-A		177 12		100 22
INSULATOR/COVER	116 22-A		178 14		101 10
	117 16-A		179 14		102 11
	118 20-A		180 12		102 12
	119 16-A		181 14		103 10
INSULATOR/DASH/E4	112 8	INSULATOR/LH	111 5		142 4
	113 8		114 16	INSULATOR/STEERING	57 3
INSULATOR/DASH/LH	111 3		115 5	INSURATOR/MOUNT	108 6
	115 3		137 14	JOINT	56 11
	137 12		138 13	JOINT ASSY	174 21
	138 11	INSULATOR/MAT/CENTER	117 6		175 21
INSULATOR/DASH/LOWER	111 1		119 6	JOINT BALL M08LH	174 31
	115 1	INSULATOR/MAT/LH	117 7		175 31
	137 10		119 7	JOINT BALL M08RH	174 30
	138 9	INSULATOR/MAT/RH	117 8		175 30
INSULATOR/DASH/RH	111 4		119 8	JOINT/BALL/LH ASSY	71 2-A
	115 4	INSULATOR/MOUNT/CY	109 11		71 2-B
	137 13		110 11	JOINT/BALL/RH ASSY	71 7-A
	138 12	INSULATOR/PARKING	137 22		71 7-B
INSULATOR/DASH/UPPER	111 2		138 21	JOINT/RECEIVER ASSY	145 41
	115 2	INSULATOR/REAR	143 2	JOINT/UNIVERSAL	55 11
	137 11	INSULATOR/RH	111 6	JOINT/WASHER	127 36
	138 10		114 17		128 39
INSULATOR/DOOR	140 5		115 6	JOYSTICK/E4 SET	174 1
	141 7		137 15		175 1
	141 10		138 14	KEY	122 4
INSULATOR/GUIDE/LH	107 9	INSULATOR/ROOF	135 3		123 4
	107 9-A	INSULATOR/SIDE	98 21	KIT/BEARING/NEEDLE	198 1
INSULATOR/GUIDE/RH	107 15		99 23	KIT/SEAL SET	58 2
INSULATOR/HANDLE	141 8		100 23		198 2
INSULATOR/HANDLE/LOW	141 9		102 23	KNOB	78 77
INSULATOR/HOOD	93 7	INSULATOR/SIDE/LH	98 5		79 77
	93 8		99 5		129 41
	94 7		99 6		135 23
	94 8		100 5		202 16
	95 7		100 21		206 15
INSULATOR/LEVER/LH	117 24		101 5	KNOB/A/C	202 14-A
	119 24		102 5	LABEL/AIRCON	153 1
INSULATOR/LEVER/SUB	26 43		102 6	LABEL/BATTERY	152 11
	28 41		103 5		154 11
	40 16		142 3		155 2

Alphabetical Index

1747-097-100-10

Description	Fig. Key	Description	Fig. Key	Description	Fig. Key
PLATE/DASH COMP	113 16	PLATE/JOY ASSY	175 12	PLUG	207 11
	114 12	PLATE/LH	49 27		207 16
PLATE/FRICTION	49 3	PLATE/MID	26 34	PLUG ASSY	129 33
	49 7		27 33		129 33-A
	50 3		28 32	PLUG (G3/8)	73 5
	50 7		29 32	PLUG/50X6.5	30 12
	204 7	PLATE/NUMBER/E4	124 1		31 13
	205 7		125 1	PLUG/60	117 3
PLATE/GRILLE	60 15	PLATE/PARKING/A COMP	53 22		119 3
	61 17		54 22	PLUG/7P	130 1
PLATE/HINGE	142 13	PLATE/PARKING/B COMP	53 25	PLUG/G3/4 ASSY	14 11
PLATE/I, 13X40	129 32		54 25		15 11
PLATE/I/16X116	120 10	PLATE/PRESSURE/LH	49 1	PLUG/M14	197 18
PLATE/I/16X298	37 8		50 1		197 18
	41 1	PLATE/PRESSURE/RH	49 5	PLUG/M18	77 8
PLATE/I/190X60	127 52		50 5		194 16
	128 55	PLATE/RH	49 28	PLUG/M18 ASSY	173 1
PLATE/I/19X206	36 8	PLATE/SENSOR COMP	129 12	PLUG/SCREW/SEAL	14 13
PLATE/I/19X226	40 1	PLATE/SEPARATE	49 2		14 15
PLATE/I/19X380	116 23		49 6		14 15-A
	117 17		50 2		15 13
	118 21		50 6		15 15
	119 17	PLATE/SEPARATOR	204 6		15 15-A
PLATE/I/25X137	88 1		205 6		19 9
PLATE/I/30X50	26 28	PLATE/STAY COMP	129 21		19 10
	27 27	PLATE/UNDER	98 18		26 8
	28 26		98 18-A		27 7
	29 26		99 19		28 6
PLATE/I/32X72	51 6		100 18		29 6
	52 6		101 17		30 10
PLATE/I/59X178	9 19		102 19		31 11
PLATE/I/72X127	14 16		103 17		45 24
	15 16	PLATE/Z/16X302 COMP	47 8		46 23
PLATE/I/75X145	112 20	PLATE/Z/16X342 COMP	48 8		69 29
	113 20	PLATE/Z/16X86	129 28		70 31
PLATE/INNER/LH	107 17	PLIERS/G150	157 3		70 36
PLATE/IR/19X360	116 23-A	PLUG	1 15		73 7
	117 17-A		2 15		73 8
	118 21-A		3 15		74 5
	119 17-A		145 33		74 6
PLATE/IR/19X65	8 2		145 37		77 10
	9 2		193 8		78 31
	10 2		193 9		78 48
PLATE/IR/36X96	186 1		195 6		79 31
PLATE/JOY ASSY	174 12		195 7		79 48

CLICK HERE TO **DOWNLOAD** THE COMPLETE MANUAL

- Thank you very much for reading the preview of the manual.
- You can download the complete manual from: www.heydownloads.com by clicking the link below



- Please note: If there is no response to CLICKING the link, please download this PDF first and then click on it.

CLICK HERE TO **DOWNLOAD** THE COMPLETE MANUAL