

目 次

TF325F chassis

*RADIATOR SYSTEM.....	Fig. 1
*RADIATOR(HST) SYSTEM.....	Fig. 2
*MUFFLER SYSTEM.....	Fig. 3
*AIR CLEANER SYSTEM.....	Fig. 4
*ELEMENT(AIR CLEANER/DOUBLE) SYSTEM.....	Fig. 5
*FILTER SYSTEM.....	Fig. 6
*FUEL TANK SYSTEM.....	Fig. 7
*BATTERY SYSTEM.....	Fig. 8
*LEVER(ACCEL)/PEDAL(ACCEL) SYSTEM.....	Fig. 9
*LEVER(ACCEL) SYSTEM.....	Fig. 10
*MAIN CLUTCH SYSTEM.....	Fig. 11
*DUAL CLUTCH SYSTEM.....	Fig. 12
*INPUT GEAR SYSTEM.....	Fig. 13
*COUNTER GEAR SYSTEM.....	Fig. 14
*DRIVE GEAR(HST)/PTO DRIVE GEAR.....	Fig. 15
*SPACER SYSTEM.....	Fig. 16
*SPACER(HST) SYSTEM.....	Fig. 17
*CLUTCH SHAFT SYSTEM.....	Fig. 18
*PEDAL(CLUTCH) SYSTEM.....	Fig. 19
*PEDAL(CLUTCH/S) SYSTEM.....	Fig. 20
*FRONT MISSION CASE(HST) SYSTEM.....	Fig. 21
*FRONT MISSION CASE SYSTEM.....	Fig. 22
*HST UNIT/INPUT GEAR(HST) SYSTEM.....	Fig. 23
*INPUT GEAR(G) SYSTEM.....	Fig. 24
*MAIN CHANGE GEAR SYSTEM.....	Fig. 25
*MAIN COUNTER GEAR SYSTEM.....	Fig. 26
*SUB COUNTER GEAR/SUB CHANGE GEAR.....	Fig. 27

CLICK HERE TO **DOWNLOAD** THE COMPLETE MANUAL

- Thank you very much for reading the preview of the manual.
- You can download the complete manual from: www.heydownloads.com by clicking the link below



- Please note: If there is no response to CLICKING the link, please download this PDF first and then click on it.

CLICK HERE TO **DOWNLOAD** THE COMPLETE MANUAL

P. 3 *** STRUCTURE TABLE OF MODEL ***

M	T	I							
0	F	F							
D	3MM3M	N							
E	2DD2G	U							
l	5UU6E	E							
F	FEEF4	4							
I	44H1	2							
G	12								
91	**	*							
92	**	*							
93	*	*							
94	**	*							
95	*	*							
96	TT	TT							
97	**	*							
98	**	*							
99	**	*							
100	**	*							
101	**	*							
102	TT	TT							
103	**	*							
104	**	*							
105	*	*							
106	TT	TT							
107	TT	TT							
108	TT	TT							
109	TT	TT							
110	**	*							
111	**	*							
112	**	*							
113	**	*							
114	TT	TT							

CLICK HERE TO **DOWNLOAD** THE COMPLETE MANUAL

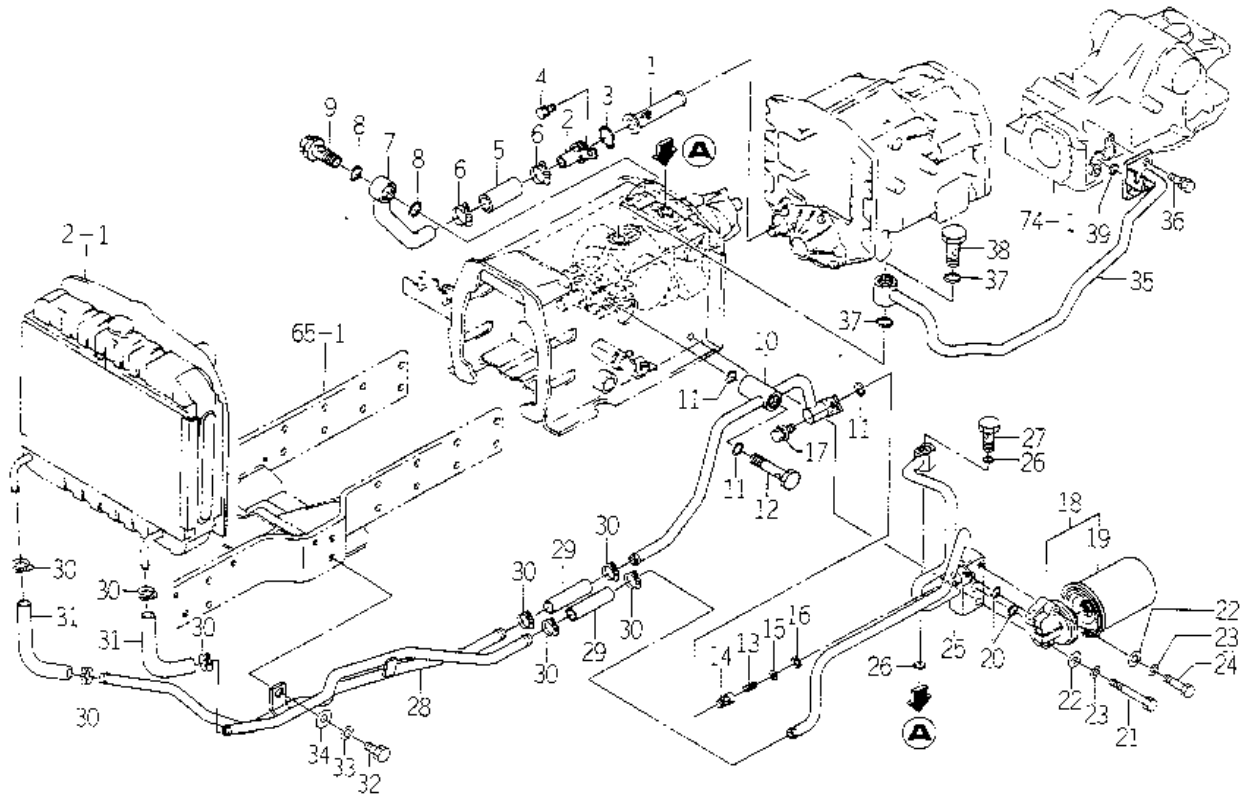
- Thank you very much for reading the preview of the manual.
- You can download the complete manual from: www.heydownloads.com by clicking the link below



- Please note: If there is no response to CLICKING the link, please download this PDF first and then click on it.

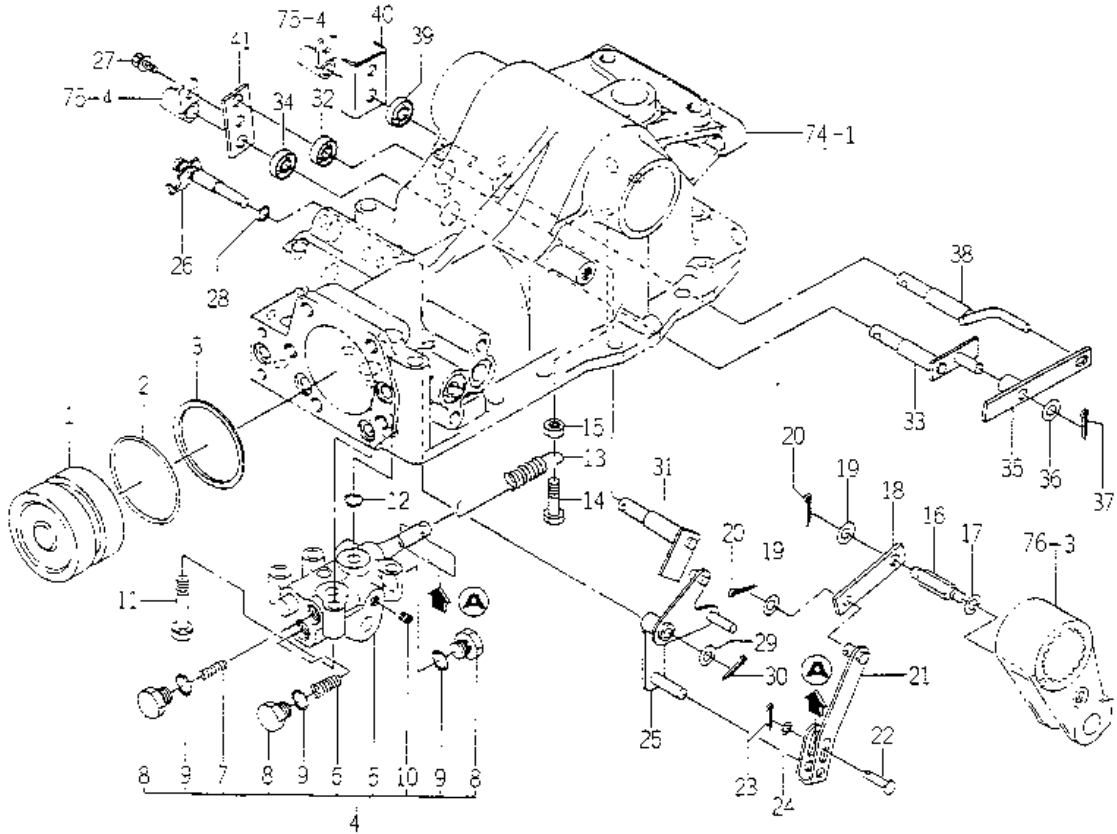
CLICK HERE TO **DOWNLOAD** THE COMPLETE MANUAL

FIG. 50 PIPING (HST) SYSTEM (MU TYPE)



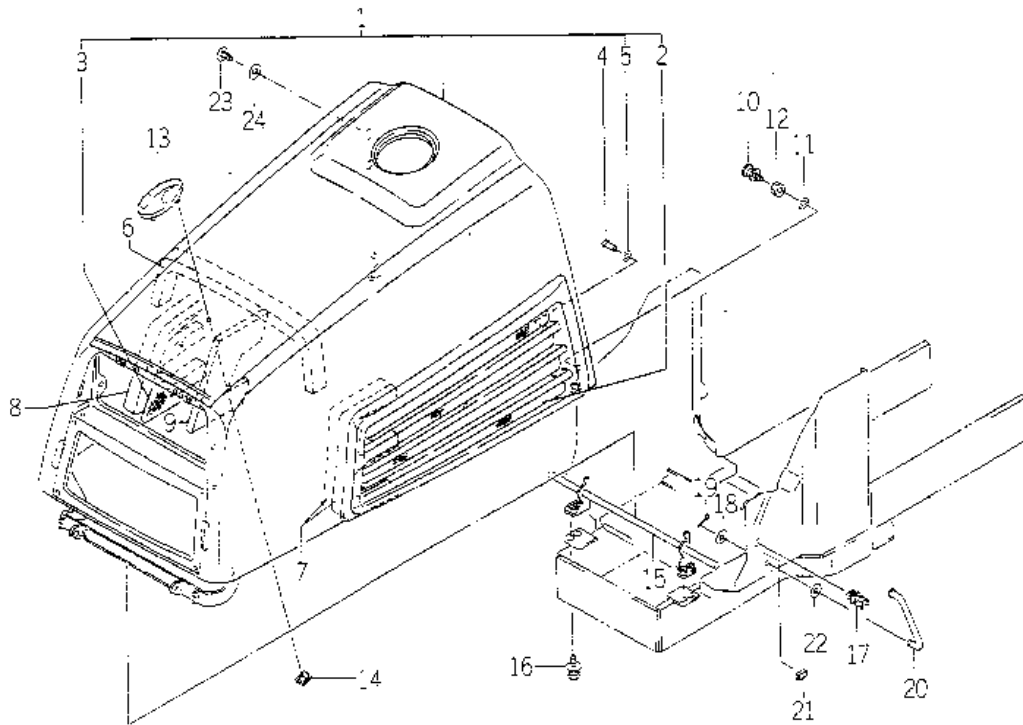
図番	部品コード	品名	仕様	型式					代替性	色番号	グループ	備考
				TF3 25F	TF32 5FH							
1	1620-273-570-00	FILTER COMP			1							
2	1622-273-500-00	PIPE/SUCTION COMP			1							
3	V720-103-502-80	O-RING/P28			1							
4	V211-260-801-60	BOLT, SEMS (S) M8X16			1							
5	3667-355-003-00	HOSE/19X29X70			1							
6	J061-116-028-00	CLAMP/WORM/16-28			2							
7	1622-273-510-00	PIPE/SUCTION COMP			1							
8	V720-103-502-40	O-RING/P24			2							
9	1622-273-630-00	ADAPTER/PF1/2			1							
10	1622-273-520-00	PIPE/BOOST COMP			1							
11	V720-102-401-80	O-RING/P18			3							
12	1620-273-051-00	CONNECTOR/M16X79			1							
13	1600-243-056-00	SPRING/HCO21			1							
14	1600-243-055-00	POPPET			1							
15	1600-243-057-10	SHIM/08X14X01			1			1				
16	V705-140-015-00	RING, SNAP/15 C			1							
17	V211-360-801-60	BOLT, SEMS (SP)			1							
18	1594-515-200-20	FILTER ASSY			1							
19	1560-515-272-00	CARTRIDGE			1							
20	V720-102-402-00	O-RING/P20			2							
21	V201-261-009-00	BOLT/M10X90			1							
22	V411-260-010-00	WASHER/M10			2							
23	V401-160-010-00	WASHER, SP/M10			2							
24	V201-261-005-00	BOLT/M10X50			1							
25	1622-273-550-00	PIPE/RETURN COMP			1							
26	V720-102-401-80	O-RING/P18			2							
27	1600-243-051-00	BOLT, CONNECTOR/M16			1							
28	1622-273-620-10	PIPE/FRONT COMP			1							
29	1620-273-055-00	HOSE/14X22X90			2							
30	J061-114-024-00	CLAMP/WORM/14-24			8							

FIG. 77 CYLINDER SYSTEM



図番	部品コード	品名	仕様	型式				代替性	色番号	グループ	備考
				TF3 25F	TF32 5FH						
1	1444-503-001-20	PISTON	*	1	1						
2	V720-115-706-50	O-RING/P65 HS90	*	1	1						
3	1415-505-006-00	RING, BACK UP	*	1	1						
4	K211-026-000-00	CONTROL VALVE ASSY	*	1	1						
5	K211-026-100-00	VALVE SET	*	1	1						
6	K211-001-006-20	SPRING	*	1	1						
7	K211-001-007-00	SPRING	*	1	1						
8	K211-001-008-00	PLUG	*	3	3						
9	V720-112-401-20	O-RING/P12	*	3	3						
10	V780-100-000-2T	PLUG/SCREW/SEAL	*	2	2						
11	V211-260-804-00	BOLT, SEMS	*	3	3						
12	V720-112-401-40	O-RING/P14	*	2	2						
13	1617-503-001-00	SPRING/HE123	*	1	1						
14	V201-260-802-50	BOLT/M 8X25	*	1	1						
15	V304-260-008-00	NUT/M 8	*	1	1						
16	1617-503-002-00	PIN	*	1	1						
17	V401-160-008-00	WASHER, SP/M 8	*	1	1						
18	1617-503-003-00	PLATE/I/19X75	*	1	1						
19	V411-260-008-00	WASHER, PL/M 8	*	2	2						
20	V500-162-002-00	PIN, SPLIT/2 X20	*	2	2						
21	1617-503-210-00	LINK/SPOOL COMP	*	1	1						
22	1614-503-005-00	PIN/05X23	*	1	1						
23	V500-162-002-00	PIN, SPLIT/2 X20	*	1	1						
24	V411-260-005-00	WASHER, PL/M 5	*	1	1						
25	1614-503-270-10	LINK/SUPPORT COMP	*	1	1						
26	1614-503-280-00	PIN/SUPPORT COMP	*	1	1						
27	V211-360-801-60	BOLT, SEMS (SP)	*	1	1						
28	V720-101-900-70	O-RING/P 7	*	1	1						
29	V411-260-008-00	WASHER, PL/M 8	*	1	1						
30	V500-162-002-00	PIN, SPLIT/2 X20	*	1	1						

FIG. 84 HOOD SYSTEM



図番	部品コード	品名	仕様	型式				代替性	色番号	グループ	備考
				TF3 25F	TF32 5FH						
1	1617-601-210-20	HOOD ASSY	*	1	1				4G		
2	1617-601-211-20	NET/LH	*	1	1						
3	1617-601-212-20	NET/RH	*	1	1						
4	W296-204-007-40	RIVET, BLIND/4X7.5	*	16	16						
5	V411-260-004-00	WASHER, PL/M 4	*	16	16						
6	1614-601-001-00	SEAL	*	1	1						
7	1617-601-001-00	INSULATOR/LH	*	1	1						
8	1617-601-002-00	INSULATOR/RH	*	1	1						
9	1614-601-031-00	INSULATOR/RH	*	1	1						
10	1614-601-004-10	PIN/LOCK	*	2	2						
11	V401-160-008-00	WASHER, SP/M 8	*	2	2						
12	V304-260-008-00	NUT/M 8	*	2	2						
13	1614-601-006-00	ORNAMENT	*	1	1						
14	V350-160-006-00	NUT, SPEED/P6	*	2	2						
15	1614-601-230-00	PIN COMP	*	1	1						
16	V211-360-802-00	BOLT (SP) M8X20	*	4	4						
17	P103-601-005-00	HOLDER/ROD	*	1	1						
18	V411-260-006-00	WASHER / M6	*	1	1						
19	V500-162-001-50	PIN, SPLIT/2 X15	*	1	1						
20	1620-601-001-00	STAY/BAR	*	1	1						
21	1565-601-005-10	INSULATOR	*	1	1						
22	1444-601-015-00	WASHER/6X14X3	*	1	1						
23	1527-604-002-00	CLIP (B)	*	2	2						
24	V411-260-008-00	WASHER, PL/M 8	*	2	2						

CLICK HERE TO **DOWNLOAD** THE COMPLETE MANUAL

- Thank you very much for reading the preview of the manual.
- You can download the complete manual from: www.heydownloads.com by clicking the link below



- Please note: If there is no response to CLICKING the link, please download this PDF first and then click on it.

CLICK HERE TO **DOWNLOAD** THE COMPLETE MANUAL