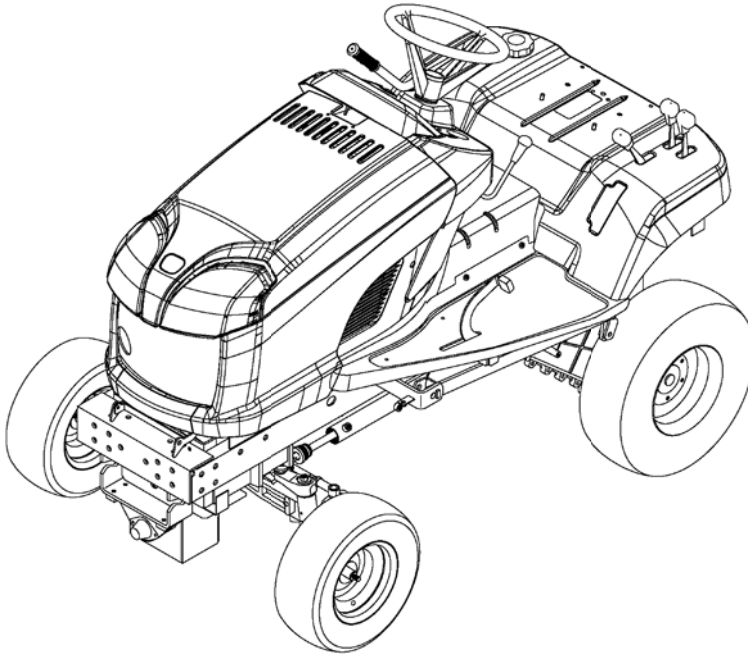




Parts Catalogue



GARDEN TRACTOR **SXG323H7** **SXG326H7**

SXG323H-7E42,7GE42
SXG326H-7E42,7GE42

1728-097-420-00

Printed in Japan February,2019

CLICK HERE TO **DOWNLOAD** THE COMPLETE MANUAL

- Thank you very much for reading the preview of the manual.
- You can download the complete manual from: www.heydownloads.com by clicking the link below



- Please note: If there is no response to CLICKING the link, please download this PDF first and then click on it.

CLICK HERE TO **DOWNLOAD** THE COMPLETE MANUAL

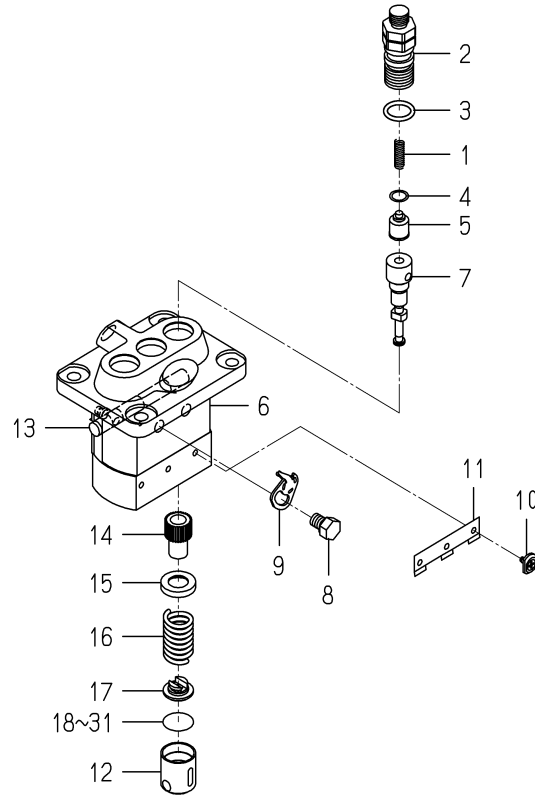
C o n t e n t s

SXG326

ENGINE(E3112-XG01)

SHORT BLOCK ENGIASSY.....	Fig. 1
CYLINDER HEAD.....	Fig. 2
CYLINDER HEAD COVER.....	Fig. 3
INLET MANIFOLD.....	Fig. 4
EXHAUST MANIFOLD.....	Fig. 5
CYLINDER BLOCK.....	Fig. 6
BEARING/UNDER SIZE (OPTION).....	Fig. 7
OIL PAN.....	Fig. 8
REAR PLATE.....	Fig. 9
TIMING GEAR CASE.....	Fig. 10
HANGER.....	Fig. 11
VALVE.....	Fig. 12
CAM SHAFT.....	Fig. 13
PISTON.....	Fig. 14
PISTON/OVER SIZE (OPTION).....	Fig. 15
CRANK SHAFT.....	Fig. 16
OIL PUMP.....	Fig. 17
WATER PUMP.....	Fig. 18
COOLING FAN.....	Fig. 19
INJECTION NOZZLE.....	Fig. 20
INJECTION PUMP.....	Fig. 21
FUEL PIPE.....	Fig. 22
ADAPTER.....	Fig. 23
ELECTRIC (1).....	Fig. 24

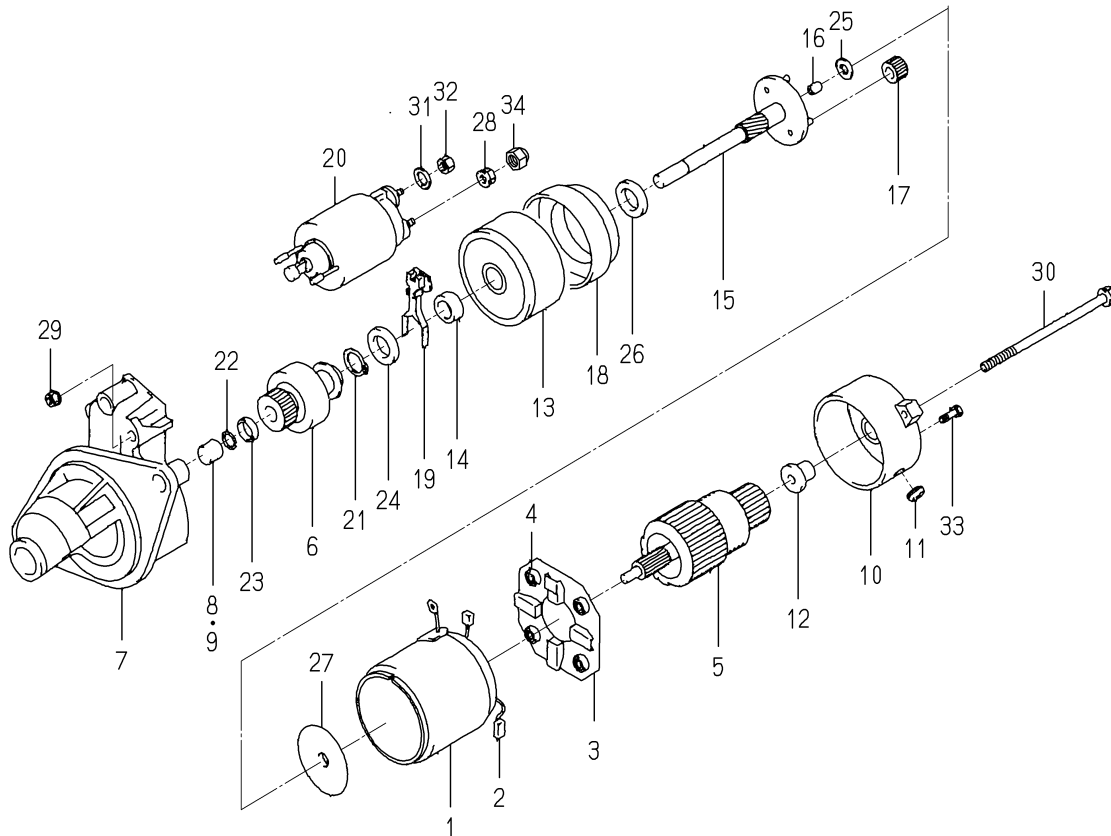
FIG. 28 COMPONENT PARTS FOR 6215-600-103-30 ON Fig.021



6215-600-103-3J

KEY	PART CODE	DESCRIPTION	S P C	TYPE OF MODEL		I T C	C O L	G R P	REMARKS
				E3112 XG					
1	6215-643-006-00	SPRING/DELIVERYVALVE	*	3					
2	6215-644-007-00	HOLDER/DELIVERYVALVE	*	3					
3	6215-649-019-00	ORING	*	3					
4	6215-649-002-00	GASKET/DELIVERYVALVE	*	3					
5	6215-641-006-00	VALVE ASSY	*	3					
6	6215-611-001-00	HOUSING ASSY	*	1					
7	6215-631-019-00	ELEMENT ASSY	*	3					
8	6215-619-022-00	BOLT/WASHERHEAD	*	2					
9	6215-612-001-00	PLATE/ADJUSTING	*	2					
10	6215-629-001-00	PIN/INJECTIONPUMP	*	3					
11	6215-629-002-00	PLATE	*	1					
12	6215-622-001-00	TAPPET/INJECTIO ASSY	*	3					
13	6215-637-001-00	RACK/CONTROL ASSY	*	1					
14	6215-635-001-00	SLEEVE/PLUNGER	*	3					
15	6215-639-004-00	SEAT/SPRING/UPPER	*	3					
16	6215-634-001-00	SPRING/PUMPPLUNGER	*	3					
17	6215-639-005-00	SEAT/SPRING/LOWER	*	3					
18	6215-629-003-00	PLATE/TAPPET/AD 0.6	*	1					
19	6215-629-004-00	PLATE/TAPPET/AD 0.7	*	1					
20	6215-629-005-00	PLATE/TAPPET/AD 0.8	*	1					
21	6215-629-006-00	PLATE/TAPPET/AD 0.9	*	1					
22	6215-629-007-00	PLATE/TAPPET/AD 1.0	*	1					
23	6215-629-008-00	PLATE/TAPPET/AD 0.2	*	1					
24	6215-629-009-00	PLATE/TAPPET/AD 0.3	*	1					
25	6215-629-010-00	PLATE/TAPPET/AD 0.4	*	1					
26	6215-629-011-00	PLATE/TAPPET/AD 0.5	*	3					
27	6215-629-012-00	PLATE/TAPPET/AD 0.25	*	1					
28	6215-629-013-00	PLATE/TAPPET/AD 0.35	*	1					
29	6215-629-014-00	PLATE/TAPPET/AD 0.45	*	1					
30	6215-629-015-00	PLATE/TAPPET/AD 0.55	*	1					

**FIG. 29 COMPONENT PARTS
FOR 6281-100-014-00 ON Fig.024**



6281-100-014-0A

KEY	PART CODE	DESCRIPTION	S P C	TYPE OF MODEL		I T C	C O L	G R P	REMARKS
				E3112	XG01				
1	6281-111-009-00	YOKE/STARTER ASSY	*	1					
2	6281-119-009-00	BRUSH/STARTER	*	2					
3	6281-118-007-00	HOLDER/STARTER ASSY	*	1					
4	6281-117-003-00	SPRING/STARTERBRUSH	*	4					
5	6281-121-010-00	ARMATURE/STARTE ASSY	*	1					
6	6281-124-011-00	CLUTCH/STARTER ASSY	*	1					
7	6281-129-064-00	HOUSING/STARTER ASSY	*	1					
8	6281-129-080-00	BEARING/NEEDLE	*	1					
9	6281-129-058-00	BEARING/NEEDLE	*	1					
10	6281-115-017-00	FRAME/COMMUTATOR END	*	1					
11	6281-115-018-00	COVER	*	1					
12	6281-129-065-00	BEARING/OILLESS	*	1					
13	6281-129-066-00	BEARING/WITH SHOCKAB	*	1					
14	6281-129-067-00	BEARING/OILLESS	*	1					
15	6281-129-068-00	SHAFT/STARTER PLANET	*	1					
16	6281-129-069-00	BEARING/OILLESS	*	1					
17	6281-129-070-00	GEAR/STARTER PLANETA	*	3					
18	6281-129-071-00	GEAR/STARTERINTERNAL	*	1					
19	6281-127-003-00	LEVER/PINIONDRIVE	*	1					
20	6281-151-014-00	SWITCH/MAGNETIC ASSY	*	1					
21	6281-129-072-00	RING/SNAP	*	1					
22	6281-129-073-00	RING/SNAP	*	1					
23	6281-129-074-00	NUT/PINIONSTOP	*	1					
24	6281-129-075-00	WASHER/SK	*	1					
25	6281-129-076-00	WASHER/SK	*	1					
26	6281-129-077-00	WASHER/SK	*	1					
27	6281-129-078-00	PLATE	*	1					
28	6281-129-030-00	NUT	*	1					
29	6281-129-029-00	NUT	*	2					
30	6281-129-043-00	BOLT/THROUGH	*	2					

CLICK HERE TO **DOWNLOAD** THE COMPLETE MANUAL

- Thank you very much for reading the preview of the manual.
- You can download the complete manual from: www.heydownloads.com by clicking the link below



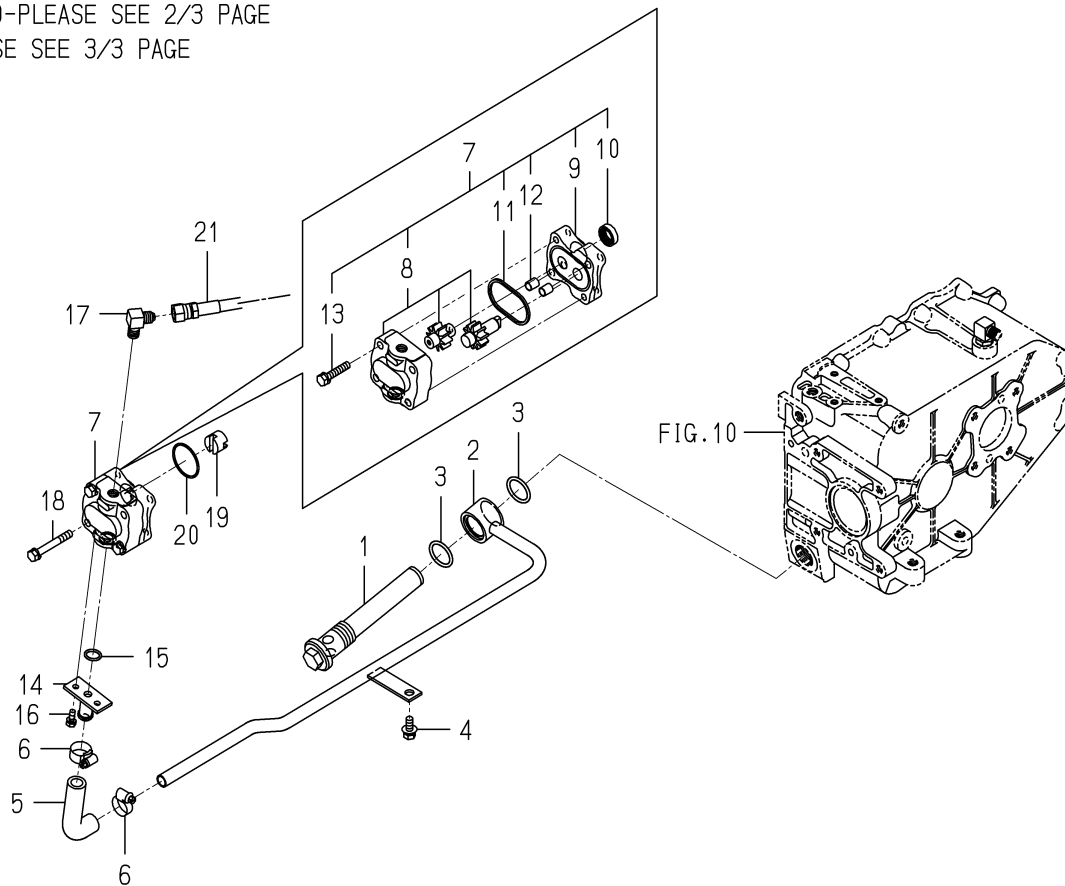
- Please note: If there is no response to CLICKING the link, please download this PDF first and then click on it.

CLICK HERE TO **DOWNLOAD** THE COMPLETE MANUAL

FIG. 51 PIPING(OIL)SYSTEM(1/3)

22, 24, 28~30-PLEASE SEE 2/3 PAGE

22~27-PLEASE SEE 3/3 PAGE



1728-508A-0100

KEY	PART CODE	DESCRIPTION	S P C	TYPE OF MODEL		I T C	C O L	G R P	REMARKS
				SXG323 H7	SXG326 H7				
1	1738-508-210-10	FILTER/SUCTION COMP	*	1	1				
2	1728-508-470-00	PIPE/SUCTION COMP	*	1	1				
3	V720-103-502-80	O-RING/1A,P28	*	2	2				
4	V211-360-802-00	BOLT,SP/M8X20	*	1	1				
5	1703-509-001-00	HOSE/14X22X82	*	1	1				
6	J061-114-024-00	CLAMP/WORM/14-24	*	2	2				
7	K130-018-000-00	PUMP/GEAR ASSY	*	1	1				
8	K130-010-100-00	PUMP/GEAR SET	*	1	1				
9	K130-003-003-00	COVER/GPF1	*	1	1				
10	V744-115-250-70	SEAL,OIL/TC15257	*	1	1				
11	V723-102-005-60	O-RING/1A,S56	*	1	1				
12	K130-003-004-00	KNOK	*	2	2				
13	V211-260-804-00	BOLT,S/M8X40	*	2	2				
14	2144-409-210-10	SUCTION/OUT COMP	*	1	1				
15	V720-102-401-60	O-RING/1A,P16	*	1	1				
16	V210-260-601-60	BOLT,S/M6X16	*	2	2				
17	1728-408-001-00	ADAPTER/L/G1/4XR1/4	*	1	1				
18	V211-260-806-00	BOLT,S/M8X60	*	2	2				
19	3640-350-006-10	CONNECTOR	*	1	1				
20	V723-102-004-00	O-RING/1A,S40	*	1	1				
21	1728-508-310-10	HOSE/HYDRO/950 ASSY	*	1	1				
22	1728-508-280-10	VALVE/1S-2D ASSY	*	1	1				
23	K275-001-003-00	PLUG(PF1/4)	*	4	4				
24	1728-508-720-00	BRACKET/VALVE COMP	*	1	1				
25	V210-360-603-50	BOLT,SP/M6X35	*	2	2				
26	V210-360-602-00	BOLT,SP/M6X20	*	1	1				
27	V301-260-006-00	NUT/M6	*	1	1				
28	1705-408-230-00	ADAPTER/L/G1/4 ASSY	*	1	1				
29	V720-112-401-10	O-RING/1B,P11	*	1	1				
30	1725-508-310-00	ADAPTER/L/G1/4 ASSY	*	1	1				

Numerical Index

6004-097-750-00

Part Code	Fig. Key	Part Code	Fig. Key	Part Code	Fig. Key
6212-611-004-10	12 9	6215-300-036-10	20 1	6215-345-037-00	27 43
6212-616-002-00	12 16	6215-311-027-00	27 51	6215-345-038-00	27 44
6212-620-001-20	12 10	6215-315-002-00	20 3	6215-345-039-00	27 45
6212-626-002-10	12 11	6215-330-024-10	27 1	6215-345-040-00	27 46
6212-628-004-00	12 12	6215-331-008-00	27 2	6215-345-041-00	27 47
6212-628-005-00	12 13	6215-332-013-00	27 5	6215-345-042-00	27 48
6213-100-003-30	17 1	6215-339-001-00	27 6	6215-345-043-00	27 49
6213-111-001-30	17 2	6215-342-001-00	27 3	6215-359-001-00	20 2
6213-119-001-00	17 4	6215-343-001-00	27 4	6215-359-002-00	27 50
6213-129-003-00	17 3	6215-345-001-00	27 7	6215-411-125-00	22 2
6213-129-006-00	6 16	6215-345-002-00	27 8	6215-411-126-10	20 4
6213-140-035-10	17 6	6215-345-003-00	27 9	6215-411-127-00	20 5
6213-149-002-00	17 8	6215-345-004-00	27 10	6215-411-128-00	20 6
6213-160-002-20	10 27	6215-345-005-00	27 11	6215-412-004-00	22 1
6213-161-001-20	10 28	6215-345-006-00	27 12	6215-520-001-00	21 17
6213-164-001-00	10 29	6215-345-007-00	27 13	6215-526-004-00	21 19
6213-240-002-20	17 13	6215-345-008-00	27 14	6215-531-026-00	21 24
6213-311-006-00	17 10	6215-345-009-00	27 15	6215-541-001-10	21 20
6213-319-001-00	6 24	6215-345-010-00	27 16	6215-541-003-10	21 25
6213-610-005-50	18 1	6215-345-011-00	27 17	6215-542-001-10	10 21
6213-612-004-00	18 3	6215-345-012-00	27 18	6215-542-006-00	21 22
6213-613-002-10	18 2	6215-345-013-00	27 19	6215-543-002-10	21 21
6213-614-018-00	18 5	6215-345-014-00	27 20	6215-546-001-00	10 16
	26 18	6215-345-015-00	27 21	6215-548-006-00	23 1
6213-614-019-00	18 9	6215-345-016-00	27 22	6215-549-007-10	21 30
	26 19	6215-345-017-00	27 23	6215-549-012-00	21 34
6213-619-001-00	18 8	6215-345-018-00	27 24	6215-549-013-00	6 28
6213-619-003-00	18 4	6215-345-019-00	27 25	6215-600-103-30	21 1
6213-641-002-10	19 2	6215-345-020-00	27 26	6215-611-001-00	28 6
6213-660-023-00	19 1	6215-345-021-00	27 27	6215-612-001-00	28 9
6213-669-003-00	19 3	6215-345-022-00	27 28	6215-619-009-00	21 3
6213-671-027-00	19 5	6215-345-023-00	27 29	6215-619-010-00	21 2
6213-674-006-20	24 2	6215-345-024-00	27 30	6215-619-022-00	28 8
6213-711-004-00	18 20	6215-345-025-00	27 31	6215-621-016-30	21 10
6213-716-001-60	18 15	6215-345-026-00	27 32	6215-622-001-00	28 12
6213-721-001-00	6 23	6215-345-027-00	27 33	6215-629-001-00	28 10
6213-729-016-00	18 13	6215-345-028-00	27 34	6215-629-002-00	28 11
6213-743-002-10	18 16	6215-345-029-00	27 35	6215-629-003-00	28 18
	26 20	6215-345-030-00	27 36	6215-629-004-00	28 19
6214-111-011-20	4 1	6215-345-031-00	27 37	6215-629-005-00	28 20
6214-115-001-20	4 2	6215-345-032-00	27 38	6215-629-006-00	28 21
	26 6	6215-345-033-00	27 39	6215-629-007-00	28 22
6214-141-008-20	5 1	6215-345-034-00	27 40	6215-629-008-00	28 23
6214-145-001-30	5 2	6215-345-035-00	27 41	6215-629-009-00	28 24
	26 7	6215-345-036-00	27 42	6215-629-010-00	28 25

Numerical Index

1728-097-420-00

Part Code	Fig. Key	Part Code	Fig. Key	Part Code	Fig. Key
1728-312-210-10	28 5	1728-334-320-00	78 4	1728-441-220-00	48 3
1728-312-220-10	28 8	1728-334-520-00	35 18		49 4
1728-312-520-10	29 8	1728-334-710-10	34 35	1728-441-230-00	48 1
1728-312-710-00	28 1	1728-334-810-10	35 35	1728-441-700-20	49 1
1728-312-720-00	29 4	1728-335-006-00	36 5	1728-441-701-10	49 2
1728-312-750-00	29 1		37 5	1728-441-710-10	49 3
1728-312-760-20	29 10	1728-335-071-00	36 4	1728-504-002-00	50 7
1728-313-051-10	31 13		37 4	1728-504-003-00	50 8
1728-313-530-10	31 3	1728-335-230-10	36 1	1728-508-001-10	51 40
1728-313-710-00	31 16	1728-335-510-10	37 1	1728-508-071-00	51 39
1728-313-720-00	31 1	1728-407-076-10	39 7	1728-508-280-10	51 22
1728-317-071-00	33 6	1728-407-200-00	39 1	1728-508-310-10	51 21
1728-317-251-00	32 2	1728-408-001-00	40 11		51 47
1728-317-260-00	32 5		40 13	1728-508-320-20	51 46
	33 3		41 11	1728-508-350-00	51 48
1728-317-270-00	32 1		41 13	1728-508-410-10	51 57
1728-317-700-00	33 1		50 6	1728-508-420-10	51 58
1728-317-701-00	33 2		51 17	1728-508-440-00	51 59
1728-334-001-00	34 1	1728-408-210-10	41 12	1728-508-470-00	51 2
	35 1	1728-408-250-00	40 12	1728-508-720-00	51 24
1728-334-002-00	34 3		41 14	1728-508-730-00	51 35
	35 3		50 11	1728-508-740-00	51 36
1728-334-003-00	34 8	1728-408-700-00	40 1	1728-508-750-00	51 37
	35 8		41 1	1728-553-007-10	52 10
1728-334-004-00	34 5	1728-408-720-00	40 4		52 15
	35 5		41 4		53 10
1728-334-005-00	34 15	1728-408-750-00	40 16		53 15
	34 39		41 16	1728-553-011-00	52 18
	35 15	1728-410-350-00	42 15		53 18
	35 39		43 15	1728-553-012-10	52 2
1728-334-006-00	34 22	1728-410-710-90	42 1		53 2
	35 22	1728-410-780-90	42 6	1728-553-072-00	52 26
1728-334-007-00	34 11		43 6		53 26
	35 11	1728-410-810-90	43 1	1728-553-240-00	52 5
1728-334-011-00	34 44	1728-411-071-20	44 1		53 5
	35 44	1728-433-200-10	45 1	1728-553-710-00	52 9
1728-334-013-00	34 25	1728-433-510-10	45 4		53 9
1728-334-210-00	34 26	1728-434-001-00	46 11	1728-553-720-00	52 13
	35 26	1728-434-200-00	46 1		53 13
1728-334-250-00	34 18	1728-434-210-00	46 2	1728-553-730-00	52 17
1728-334-260-00	34 42	1728-436-001-00	47 1	1728-553-750-00	52 21
	35 42	1728-441-201-00	48 2		53 21
1728-334-280-00	34 47	1728-441-210-00	48 5	1728-553-760-00	52 1
	35 47	1728-441-220-00	32 3		53 1
1728-334-310-00	78 1		33 4	1728-553-770-00	53 25

Alphabetical Index

6004-097-750-00

Description	Fig. Key	Description	Fig. Key	Description	Fig. Key
PLATE/TAPPET/AD 0. 4	28 25	SCREW	29 33	STOPPER, FULL-LOAD	10 16
PLATE/TAPPET/AD 0. 45	28 29	SCREW ADJUST	12 16	STRAINER	17 6
PLATE/TAPPET/AD 0. 5	28 26	SCREW/HOLLOW	21 3	STUD	2 8
PLATE/TAPPET/AD 0. 55	28 30	SCREW/WATER PUMP	18 4		5 4
PLATE/TAPPET/AD 0. 6	28 18	SEAL, BEARING CAP	6 8		6 19
PLATE/TAPPET/AD 0. 65	28 31		26 8		6 20
PLATE/TAPPET/AD 0. 7	28 19	SEAL, BEARING CAP/7	6 9	STUD/M8X40	6 18
PLATE/TAPPET/AD 0. 8	28 20		26 9		18 10
PLATE/TAPPET/AD 0. 9	28 21	SEAL, CYL. HEAD COVER	3 3	SWITCH/MAGNETIC ASSY	29 20
PLATE/TAPPET/AD 1. 0	28 22		26 4	SWITCH/OILPRESSURE	25 1
PLATE/THRUST	13 4	SEAL, OIL	2 4	TAPPET	12 6
PLATE/THRUST/INJECTI	21 15		6 14	TAPPET/INJECTIO ASSY	28 12
PLATE/WATER PUMP	18 3		10 4	THERMOMETER	25 2
PLUG	12 11		26 2	THERMOSTAT	18 19
PLUG/M14X1. 5	8 2		26 10	THRUSTPIECE	21 19
PLUG/PT1/2	2 3		26 12	VALVE ASSY	28 5
PLUG/PT1/8	6 5	SEAT/SPRING/LOWER	28 17	VALVE/EXHAUST	12 2
	10 2	SEAT/SPRING/UPPER	28 15	VALVE/INTAKE	12 1
PLUG/SCREW	10 23	SEAT/VALVESPRING	12 4	VALVE/RELIEF ASSY	10 27
POINTER	9 2	SENSOR/REVOLUTION/L	10 34	WASHER	20 2
PULLEY	30 1	SHAFT, CAM	13 1		29 31
PULLEY, WATER PUMP	19 2	SHAFT/ROCKERARM ASSY	12 10	WASHER, PL/M6	21 32
PULLEY/CRANK	16 8	SHAFT/STARTER PLANET	29 15	WASHER, SP/M6	21 33
RACK/CONTROL ASSY	28 13	SHIM/INJECTIONPUMP	21 4	WASHER/0. 9	27 7
REGULATOR ASSY	30 26		21 5	WASHER/0. 925	27 8
RELAY, SOLENOID	25 8		21 6	WASHER/0. 95	27 9
REPAIR/ENGINESET	26 1		21 7	WASHER/0. 975	27 10
RESISTANCE/1. 0	22 8	SHORTBLOCKENGIN ASSY	1 1	WASHER/08X14X01	10 15
RING, SNAP	14 4	SLEEVE/PLUNGER	28 14		10 24
RING, SNAP/12 C	10 30	SOLENOID	25 5		26 23
RING, SNAP/16 C	12 15	SPACER, HYD, REAR	10 39	WASHER/1. 0	27 11
RING, SNAP/4 E	10 22	SPACER, PUMP. WATER	18 8	WASHER/1. 025	27 12
	21 23	SPACER/FUN/19	19 3	WASHER/1. 05	27 13
RING, SNAP/40 C	10 41	SPRING	12 14	WASHER/1. 075	27 14
RING/PISTON SET	14 2		30 18	WASHER/1. 1	27 15
RING/SNAP	29 21	SPRING, RETURN	21 29	WASHER/1. 125	27 16
	29 22	SPRING, STARTING	21 34	WASHER/1. 15	27 17
RINGGEAR	16 6	SPRING/DELIVERYVALVE	28 1	WASHER/1. 175	27 18
RINGPISTON/OV050 SET	15 2	SPRING/GOVERNOR	21 24	WASHER/1. 2	27 19
RINGPISTON/OV100 SET	15 4	SPRING/NOZZLEHOLDER	27 4	WASHER/1. 225	27 20
RINK/CONTROL	21 21	SPRING/PUMPPUNGER	28 16	WASHER/1. 25	27 21
ROCKERARM	12 9	SPRING/RELIEF VALVE	10 29	WASHER/1. 275	27 22
ROCKERSHAFT ASSY	12 8	SPRING/STARTERBRUSH	29 4	WASHER/1. 3	27 23
ROD, PUSH	12 7	SPRING/VALVE	12 3	WASHER/1. 325	27 24
ROTOR ASSY	30 4	STARTER ASSY	24 7	WASHER/1. 35	27 25

CLICK HERE TO **DOWNLOAD** THE COMPLETE MANUAL

- Thank you very much for reading the preview of the manual.
- You can download the complete manual from: www.heydownloads.com by clicking the link below



- Please note: If there is no response to CLICKING the link, please download this PDF first and then click on it.

CLICK HERE TO **DOWNLOAD** THE COMPLETE MANUAL