

Directions for use of Parts Catalogue

1. Applicable model of machines

All component and option parts used for S X G 1 5 lawn & garden tractors are listed in this parts catalogue.

1) MODEL TYPE

- H..... HST
- S..... WITH SEAT

2) AREA CODE

- E4..... EUROPE AND OCEANIA

2. Explanation for head paragraph

KEY	PART CODE	DESCRIPTION	S P C	TYPE OF MODEL						I T C	C O L	G R P	REMARKS
				SSM48M	SSM48F	SSM48G	SRM48M	SRM48F	SRM48G				
1	8595-211-001-20	CASE/UPPER	*	1									
1A	8657-201-081-00	CASE/UPPER	*	1			1						
2	8595-211-002-10	CASE/LOWER	*	1			1						
3	V523-100-801-80	PIN	*	1			1						
4	V211-260-803-00	BOLT, SEMS	*	1			1						
			*	2			1						
			*	2			2						
			*	2			1						

- ① KEY shows the location of parts diagramed in the illustration.
- ② Parts numbers begin with `V` and `W` are standard parts of the market.
- ③ `LH` and `RH` on the parts name are described against the moving direction of the machine or are described on the condition how to install parts on the machines.
- ④ SPC : The following symbol classifies parts to be used for machines.
 - `*` means standard parts.
 - `T` shows that the parts can be installed as optional parts.
 - `R` shows that the parts can be used as applicable parts to replace

CLICK HERE TO **DOWNLOAD** THE COMPLETE MANUAL

- Thank you very much for reading the preview of the manual.
- You can download the complete manual from: www.heydownloads.com by clicking the link below



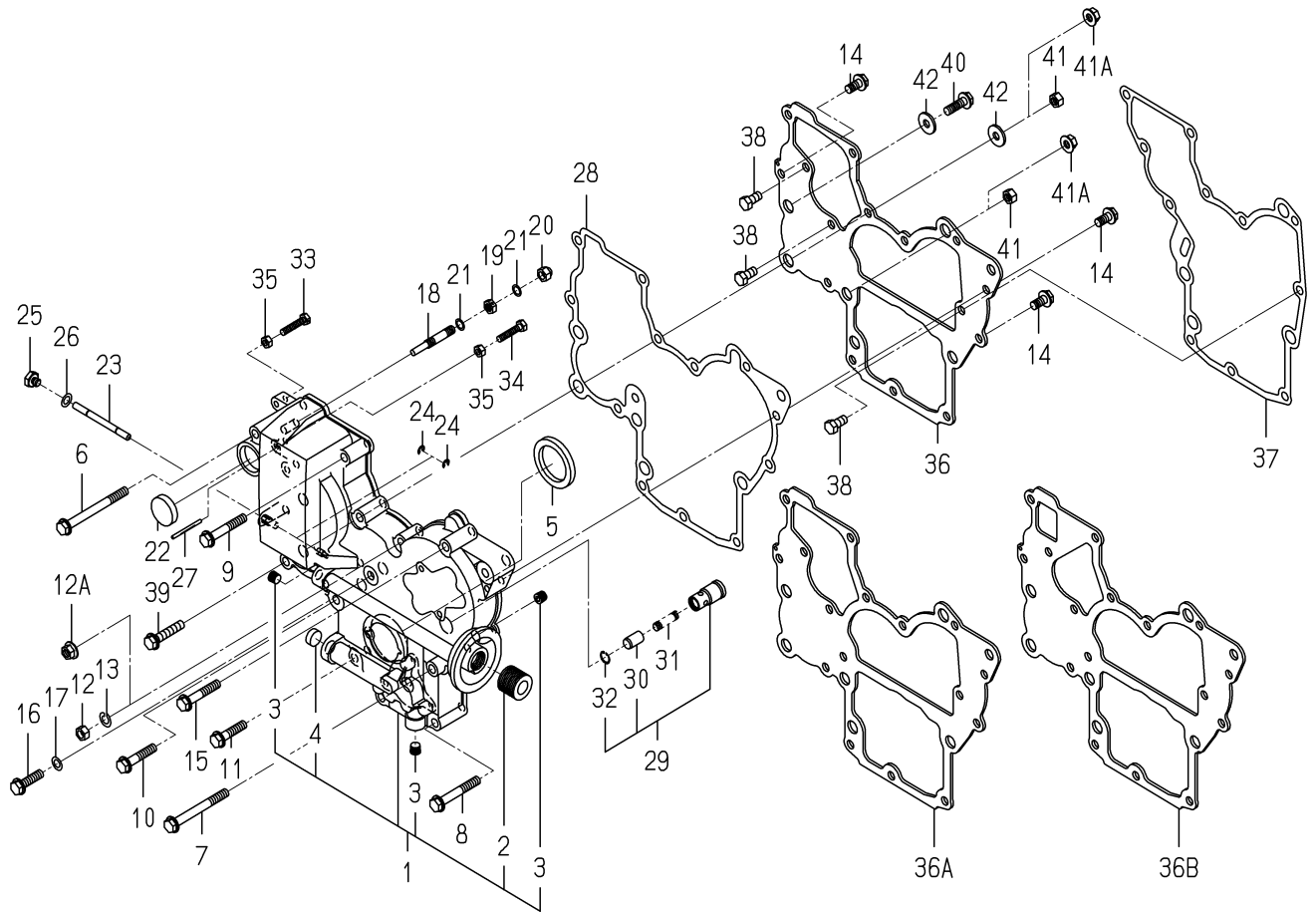
- Please note: If there is no response to CLICKING the link, please download this PDF first and then click on it.

CLICK HERE TO **DOWNLOAD** THE COMPLETE MANUAL

ENGINE

E269G...SXG15H

FIG.204 TIMING GEAR CASE



6003-240C-0100,6003-240C-0200

KEY	PART CODE	DESCRIPTION	S P C	TYPE OF MODEL		I T C	C O L	G R P	REMARKS
				E269G					
14	-----	BLANK	*						
15	-----	BLANK	*						
15	V 231-360-804-50	FLANGE BOLT	*	1					
15	-----	BLANK	*						
16	-----	BLANK	*						
16	V 231-360-803-00	FLANGE BOLT	*	1					
16	-----	BLANK	*						
17	6209-500-003-00	WASHER/08X14X01	*	1					
18	6215-546-001-00	STOPPER, FULL-LOAD	*	1					
19	6209-409-001-00	NUT/M8	*	1					
20	V 341-120-008-00	NUT, CAP/M 8	*	1					
21	6209-920-002-00	PACKING	*	2					
22	3625-540-004-00	CAP, BLANK/30	*	1					
23	6215-542-001-10	PIN/ARM	*	1					
24	V 710-140-004-00	RING, SNAP/ 4 E	*	2					
25	6209-600-004-00	PLUG/SCREW	*	1					
25	-----	BLANK	*						
26	6209-500-003-00	WASHER/08X14X01	*	1					
27	6209-740-001-00	PIN, GROOVE	*	1					
28	6211-312-001-30	GASKET/GEAR CASE	*	1					
29	6213-160-002-20	VALVE/RELIEF ASSY	*	1					
30	6213-161-001-20	PISTON/VALVE/RELIEF	*	1					
31	6213-164-001-00	SPRING/RELIEF VALVE	*	1					
32	V 705-140-012-00	RING, SNAP/12 C	*	1					
33	6209-050-001-00	BOLT/M6	*	1					
34	6209-050-002-00	BOLT/M6	*	1					
35	V 301-260-006-00	NUT/M 6	*	2					
35	-----	BLANK	*						
36	-----	BLANK	*						
36A	-----	BLANK	*						

CLICK HERE TO **DOWNLOAD** THE COMPLETE MANUAL

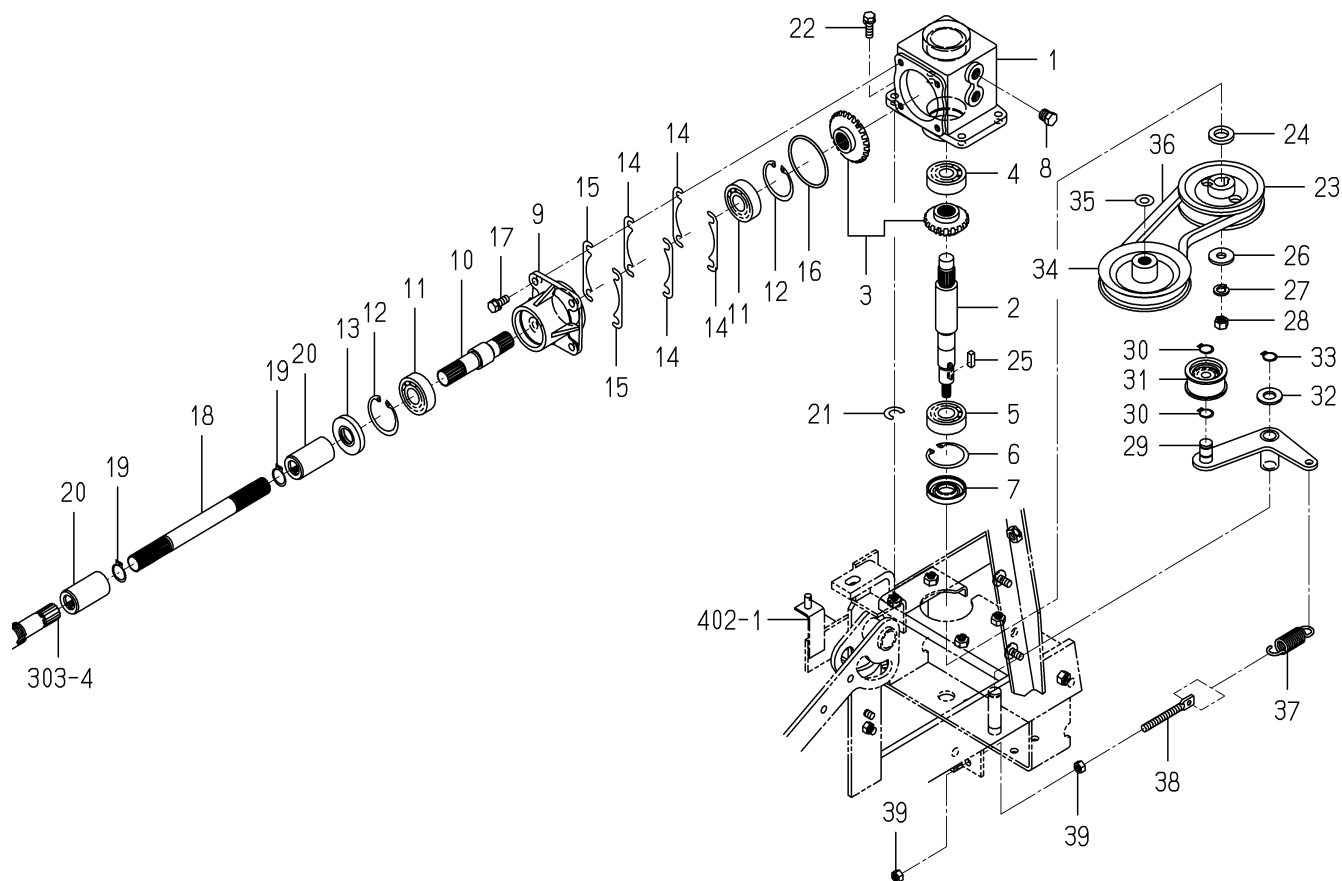
- Thank you very much for reading the preview of the manual.
- You can download the complete manual from: www.heydownloads.com by clicking the link below



- Please note: If there is no response to CLICKING the link, please download this PDF first and then click on it.

CLICK HERE TO **DOWNLOAD** THE COMPLETE MANUAL

FIG.110 METAL(COUNTER) SYSTEM



1782-122 -0100

KEY	PART CODE	DESCRIPTION	S P C	TYPE OF MODEL		I T C	C O L	G R P	REMARKS
				SXG15H					
1	1782-122-001-00	METAL/COUNTER	*	1					
2	1782-122-002-00	SHAFT/OUTPUT	*	1					
3	8670-201-220-00	GEAR/BEVEL/23-1 SET	*	1					
4	V600-110-630-30	BEARING,RB/6303	*	1					
5	V600-110-620-40	BEARING,RB/6204	*	1					
6	V705-140-047-00	RING,SNAP/47 C	*	1					
7	V744-120-470-70	SEAL/OIL	*	1					
8	7955-201-026-00	PLUG,DRAIN (1/4)	*	2					
9	8670-201-006-00	METAL/CASE	*	1					
10	8670-201-007-00	SHAFT/CASE	*	1					
11	V600-110-620-40	BEARING,RB/6204	*	2					
12	V705-140-047-00	RING,SNAP/47 C	*	2					
13	V744-120-470-70	SEAL/OIL	*	1					
14	8663-202-055-00	SHIM/0.1	*	4					
15	8663-202-056-00	SHIM/0.2	*	2					
16	V721-103-106-00	O-RING/G60	*	1					
17	V211-260-802-00	BOLT/S	*	4					
18	8670-201-008-00	SHAFT/JOINT	*	1					
19	V704-140-020-00	RING,SNAP/20C	*	2					
20	1602-321-004-00	COUPLING/18X30X55	*	2					
21	3822-544-009-00	SHIM/13X25X0.5	*	2					
22	V211-560-802-50	BOLT,SEMS/M8X25 7T	*	4					
23	1782-122-003-00	PULLEY/VB097	*	1					
24	1782-122-013-00	WASHER/17X30X05	*	1					
25	3750-121-011-00	KEY	*	1					
26	3659-170-003-00	WASHER/11X30X3	*	1					
27	V401-160-010-00	WASHER,SP/M10	*	1					
28	V304-260-010-00	NUT	*	2					
29	1782-122-220-00	ARM/TENSION/HST COMP	*	1					
30	V704-140-015-00	RING,SNAP/15 C	*	2					

Numerical Index

1782-095-100-00

Part Code	Fig. Key	Part Code	Fig. Key	Part Code	Fig. Key
1703-604-230-20	603 25	1728-553-008-00	502 14	1782-201-207-00	S01 6
1703-604-330-00	603 15	1728-670-210-00	608 2	1782-201-208-00	S01 77
1703-604-331-00	603 16	1739-401-001-00	401 3	1782-201-209-00	S01 7
1703-650-200-10	607 1	1739-401-200-00	401 1	1782-201-212-00	S01 8
1703-650-202-00	607 2	1739-401-202-00	401 2	1782-201-214-00	S01 80
1705-117-001-00	108 3	1740-272-061-00	204 2	1782-201-215-00	S01 9
1705-117-230-00	108 1	1740-272-062-00	204 5	1782-201-217-00	S01 11
1705-312-006-00	203 9	1742-313-001-10	302 2	1782-201-218-00	S01 74
1705-332-006-00	303 48	1770-105-001-00	105 3	1782-201-220-00	S01 81
1705-333-001-00	303 44	1772-654-250-00	609 29	1782-201-221-00	S01 12
1705-436-300-00	405 4	1772-654-251-00	609 30	1782-201-222-00	S01 82
1705-616-003-00	606 10	1782-101-002-00	101 1	1782-201-223-00	S01 13
1705-616-220-20	606 7	1782-101-003-00	101 2	1782-201-225-00	S01 14
1705-621-202-00	608 3	1782-102-001-00	102 13	1782-201-226-00	S01 15
1705-622-003-00	608 5	1782-102-005-00	102 9	1782-201-227-00	S01 16
1705-901-004-00	608 4	1782-102-006-00	102 12	1782-201-228-00	S01 17
1705-902-004-00	608 6	1782-102-210-00	102 32	1782-201-229-00	S01 18
1705-902-006-00	903 6	1782-102-250-00	102 25	1782-201-231-00	S01 19
1705-902-007-00	903 8	1782-102-260-00	102 24	1782-201-232-00	S01 20
1705-902-008-00	903 3	1782-103-210-10	103 6	1782-201-233-00	S01 21
1705-904-001-00	903 9	1782-105-001-00	105 7	1782-201-234-00	S01 22
1705-904-002-10	903 4	1782-105-210-00	105 10	1782-201-235-00	S01 23
1705-904-004-00	903 10	1782-105-230-00	105 5	1782-201-236-00	S01 24
1716-680-220-00	605 9	1782-105-240-00	105 11	1782-201-237-00	S01 25
1716-680-222-00	605 10	1782-111-001-00	106 1	1782-201-238-00	S01 26
1724-102-012-00	102 34	1782-111-210-00	106 2	1782-201-243-00	S01 29
1724-104-001-00	104 7	1782-117-210-00	108 2	1782-201-244-00	S01 30
1724-604-302-00	603 17	1782-120-220-00	109 1	1782-201-245-00	S01 31
1725-218-006-00	202 4	1782-120-231-00	109 2	1782-201-246-00	S01 32
	202 13		109 7	1782-201-247-00	S01 33
1725-433-202-00	403 3	1782-120-232-00	109 3	1782-201-248-00	S01 34
1725-553-007-10	502 25	1782-120-233-00	109 4	1782-201-249-00	S01 35
1725-604-003-00	603 19	1782-120-234-00	109 5	1782-201-250-00	S01 36
1725-604-052-00	603 2	1782-120-235-00	109 6	1782-201-251-00	S01 37
	603 9	1782-120-241-00	109 8	1782-201-254-00	S01 38
	603 21	1782-120-242-00	109 9	1782-201-256-00	S01 39
	603 24	1782-122-001-00	110 1	1782-201-258-00	S01 40
	603 27	1782-122-002-00	110 2	1782-201-259-00	S01 83
	606 15	1782-122-003-00	110 23	1782-201-261-00	S01 42
1728-104-210-00	104 1	1782-122-012-00	110 36	1782-201-262-00	S01 43
1728-105-230-00	105 9	1782-122-013-00	110 24	1782-201-263-00	S01 84
1728-112-002-00	107 7	1782-122-210-10	110 34	1782-201-264-00	S01 44
1728-112-230-00	609 21	1782-122-220-00	110 29	1782-201-265-00	S01 45
1728-334-280-00	303 25	1782-201-200-00	201 1	1782-201-267-00	S01 47
1728-553-004-00	502 19	1782-201-203-00	S01 3	1782-201-268-00	S01 48

CLICK HERE TO **DOWNLOAD** THE COMPLETE MANUAL

- Thank you very much for reading the preview of the manual.
- You can download the complete manual from: www.heydownloads.com by clicking the link below



- Please note: If there is no response to CLICKING the link, please download this PDF first and then click on it.

CLICK HERE TO **DOWNLOAD** THE COMPLETE MANUAL