

Directions for use of Parts Catalogue

1. Applicable model of machines

All component and option parts used for SCMA48, SCMA54 Mower and SBC550X Collector are listed in this parts catalogue.

NOTES: SCMA48-SXG22E4M··· FOR SXG19, 22
 SCMA54-SXG22E4M··· FOR SXG22
 SBC550X-HE4M······· FOR SXG19, 22
 SBC550X-LE4M······· FOR SXG19, 22

2. Explanation for head paragraph

KEY	PART CODE	DESCRIPTION	SPC	TYPE OF MODEL						I T C	C O L	G R P	REMARKS
				SSM48M	SSM48F	SSM48G	SRM48M	SRM48F	SRM48G				
1	8595-211-001-20	CASE/UPPER	*	1									
1A	8657-201-081-00	CASE/UPPER	*	1									
2	8595-211-002-10	CASE/LOWER	*	1									
3	V523-100-801-80	PIN	*	2									
4	V211-260-803-00	BOLT, SEMS	*	6									

- ① KEY shows the location of parts diagramed in the illustration.
- ② Parts numbers begin with `V` and `W` are standard parts of the market.
- ③ `LH` and `RH` on the parts name are described against the moving direction of the machine or are described on the condition how to install parts on the machines.
- ④ SPC : The following symbol classifies parts to be used for machines.
 - `*` means standard parts.
 - `T` shows that the parts can be installed as optional parts.
 - `R` shows that the parts can be used as applicable parts to replace

CLICK HERE TO **DOWNLOAD** THE COMPLETE MANUAL

- Thank you very much for reading the preview of the manual.
- You can download the complete manual from: www.heydownloads.com by clicking the link below



- Please note: If there is no response to CLICKING the link, please download this PDF first and then click on it.

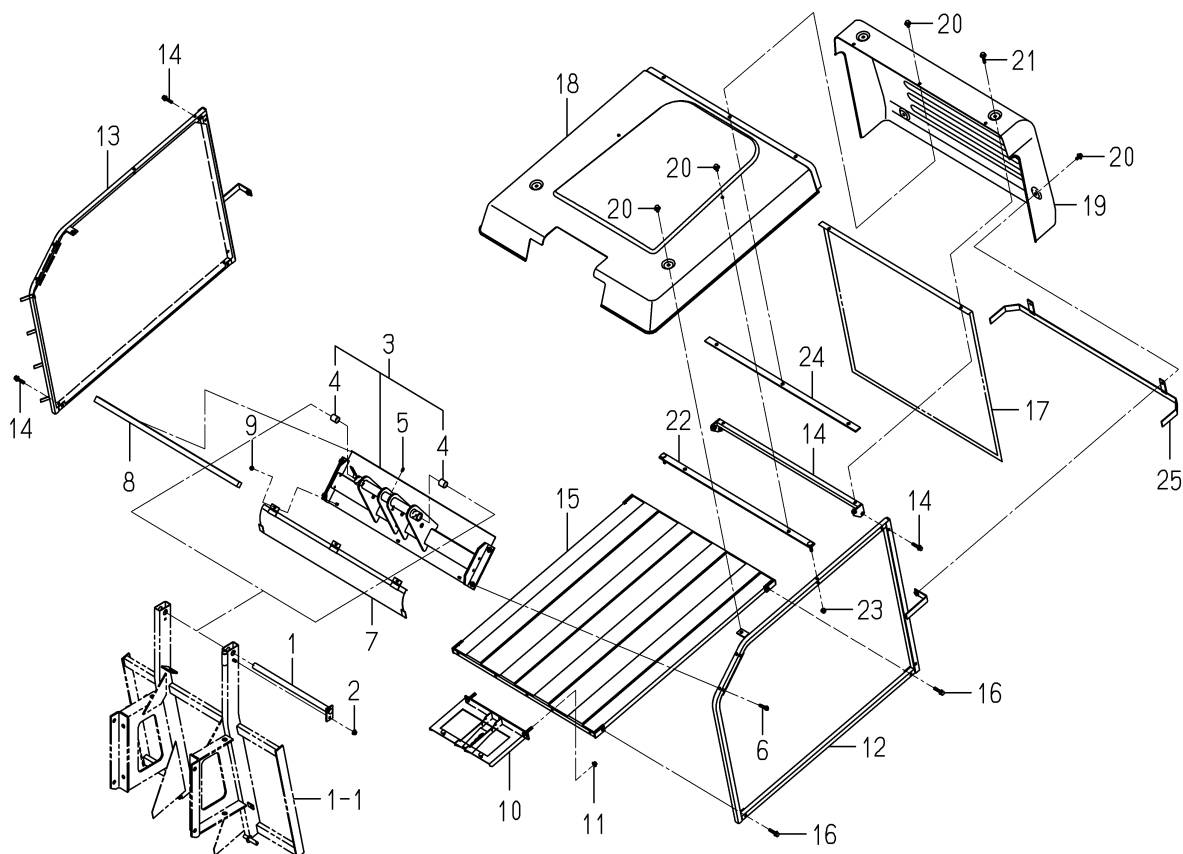
CLICK HERE TO **DOWNLOAD** THE COMPLETE MANUAL

MOWER

SCMA48M

SCMA54M

FIG. 3 CONTAINER SYSTEM (L TYPE)



8664-305A-0100

KEY	PART CODE	DESCRIPTION	S P C	TYPE OF MODEL		I T C	C O L	G R P	REMARKS
				SBC550X	M				
1	8664-305-210-00	PIN/20X405 COMP	*	1					
2	V362-260-008-00	NUT/WASHER	*	1					
3	8664-305-200-10	FRAME/UPPER ASSY	*	1			7F		
4	8664-305-201-00	BUSH/20X23X25	*	2					
5	V760-150-000-00	NIPPLE,GREASE	*	1					
6	V211-560-804-50	BOLT,SEMS/M8X45 7T	*	4					
7	8664-305-310-00	COVER/UPPER/SUB COMP	*	1			7F		
8	8664-305-031-00	INSULATOR/756	*	1					
9	V360-260-006-00	NUT/M6	*	3					
10	8664-305-280-20	PLATE/LOWER/FRONT	*	1					
11	V362-260-008-00	NUT/WASHER	*	2					
12	8664-305-240-10	FRAME/SIDE/LH COMP	*	1			7F		
13	8664-305-250-10	FRAME/SIDE/RH COMP	*	1			7F		
14	8664-305-230-00	FRAME/REAR COMP	*	1					
15	8664-305-260-10	FRAME/LOWER COMP	*	1			7F		
16	V211-660-804-00	BOLT/SP	*	8					
17	8664-305-001-10	NET/REAR	*	1			7F		
18	8664-305-002-00	COVER/CONTAINER/FRON	*	1					
19	8664-305-003-00	COVER/CONTAINER/REAR	*	1					
20	8664-305-004-00	BOLT/SP/M08X20	*	9					
21	8664-305-005-00	BOLT/SP/M08X40	*	2					
22	8664-305-320-00	PLATE/COVER/FRONT	*	1					
23	V362-260-008-00	NUT/WASHER	*	2					
24	8664-305-330-00	PLATE/COVER/REA COMP	*	1					
25	8664-305-340-00	GUIDE/REAR COMP	*	1					

CLICK HERE TO **DOWNLOAD** THE COMPLETE MANUAL

- Thank you very much for reading the preview of the manual.
- You can download the complete manual from: www.heydownloads.com by clicking the link below



- Please note: If there is no response to CLICKING the link, please download this PDF first and then click on it.

CLICK HERE TO **DOWNLOAD** THE COMPLETE MANUAL