

PARTS MANUAL

**ELECTRIC
N30XMDR3, N45XMR3
(G138)**

CUSTOMER EDITION

HYSTER

CLICK HERE TO **DOWNLOAD** THE COMPLETE MANUAL

- Thank you very much for reading the preview of the manual.
- You can download the complete manual from: www.heydownloads.com by clicking the link below



- Please note: If there is no response to CLICKING the link, please download this PDF first and then click on it.

CLICK HERE TO **DOWNLOAD** THE COMPLETE MANUAL

HOW TO FIND THE DESIRED PART NUMBER

WHEN THE PART NUMBER AND THE NEXT HIGHER ASSEMBLY IS NOT KNOWN:

1. Determine the function and application of the part required. Turn to the Sections Page. Choose the general area of reference most likely to include the part.
2. Turn to the section you chose. Use the Section Table of Contents to determine the assembly which would normally contain the part required. Then locate the part on the assembly breakdown page.

WHEN THE PART NUMBER IS NOT KNOWN AND THE NEXT HIGHER ASSEMBLY IS KNOWN:

3. Determine the assembly the required part is used on. Turn to the Table of Contents (Page i).
4. Locate the assembly the required part is used on and turn to the page indicated for that assembly. Then locate the part on the assembly breakdown page.

WHEN THE PART NUMBER IS KNOWN:

5. Use the Numerical Index (Page 11-1) to find the part number. Turn to the page listed and locate the part as indicated by the item number.

GENERAL:

The assembly breakdowns include part numbers, descriptions, quantities required, keys and footnotes to help in selecting correct parts.

6. Parts Supersession Information. Part numbers that have this history will be displayed in the parts list in the order that they were superseded (from oldest to newest). The superseded part numbers will be shown with a line through them.

Five periods in the PART NO. column (.) indicate that the part is either *Not Serviced Separately* or there is a reference to another figure. A figure reference is denoted by a pointing hand followed by a figure number in the DESCRIPTION column (☞ Figure 10)

7. Keys are used to show two or more similar assemblies, RH and LH assembly parts, etc. Select the appropriate key, "A", "B", "C", "D", or "E" and the corresponding quantity column to find the required parts. Two periods in the QTY column (..) indicate that the part is not used for that assembly.
8. Indented descriptions under the DESCRIPTION column are used to indicate assemblies and

subparts of assemblies. In the example on the previous page, *BEARING CAP* (Item 2) is a subpart of the major assembly *CASE*.

9. Quantities shown are for one assembly. The quantities of the subpart *BEARING CAP* are indicated as two and two. This means two per *CASE* assembly.
10. Serial number breaks identify the most current parts information and are shown as follows:
 - **S/N D001H2628**
Indicates last serial number affected.
 - S/N D001H2629** →
Indicates the first serial number affected.
 - S/N D001H1553** ↔ **S/N D001H3291**
Indicates a range of serial numbers affected.

ECN numbers for pending serial numbers are shown to allow for the inclusion of the most current parts information and are identified as follows:

→ **S/N Pending Per ECN 63243**

Indicates a pending serial number for last unit affected.

S/N Pending Per ECN 63243 →

Indicates a pending serial number for first unit affected.

Date breaks are used to indicate when a change occurred but a subsequent serial number break was not recorded. This is an arbitrary date usually based on the ECN release and are identified as follows:

→ **D/B 3/00**

Indicates that a change occurred sometime within that month for the item affected.

D/B 3/00 →

Indicates that a change occurred sometime within that month for the item affected.

D/B 3/00 ↔ **D/B 4/00**

Indicates a range of production dates of the item affected.

Contact your local dealer for Hyster lift trucks for serial number information for items with a ECN or a date break.

ORDERING PARTS:

When ordering replacement parts, give the unit serial number, part number, name of part and quantity required.

For any further information on parts, service, or ordering, consult your local dealer for Hyster lift trucks.

HOOD AND COVERS

ITEM	PART NO.	DESCRIPTION	QTY
1	2310970	Hinge (Standard)	1
1	2306030	Hinge (Freezer)	1
2	1457028	Door	1
3	2307934	Screw	1
4	2034639	Washer	1
5	269200	Nut	1
6	1457997	Cover (16 in. Battery Compartment)	1
6	1457998	Cover (18 in. Battery Compartment)	1
6	1457999	Cover (21 in. Battery Compartment)	1
7	1455985	Cover	1
	c 249668	Nut	3
	c 17178	Capscrew	3
	c 18515	Washer	3
	c 16712	Screw	8
	c 15152	Lockwasher	8
	c 2031173	Clip	4
8	1474896	Cushion	1
	c 18460	Capscrew	2
	c 15154	Lockwasher	2
	c 15127	Washer	2
9	1468017	Cushion	1
	c 2035767	Clip	2
	c 1474743	Rivet	4
10	a 18497	Capscrew	2
11	a 216895	Static Strap	1
12	a 18515	Washer	2
13	a 15155	Lockwasher	6
14	a 15055	Nut	6
15	2302952	Roller (16 in. Battery Compartment)	6
15	2305145		
	4058136	Roller (18 in. Battery Compartment)	6
15	2302495	Roller (21 in. Battery Compartment)	6
16	2302926	Plate (16 in. Battery Compartment)	2
16	2309424	Retainer (18 in. Battery Compartment)	2
16	2302481	Retainer (21 in. Battery Compartment)	2
17	a 2303359	Plate (16 in. Battery Compartment)	2
17	a 2305021	Retainer (18 in. Battery Compartment)	2
17	a 2303173	Retainer (21 in. Battery Compartment)	2
18	b 18497	Capscrew (0.5 and 1 in. Spacer)	2
18	b 18508	Capscrew (1.5 and 2 in. Spacer)	2
18	b 18513	Capscrew (2.5 and 3 in. Spacer)	2
19	b 2306205	Spacer (0.5, 1.5, and 2.5 in., Spacer)	1
20	b 2306243	Tube (Except 0.5 in. Spacer)	1
21	b 15155	Lockwasher	2
22	15055	Nut	2
23	a 2305060	Padlock	2
24	d 16836	Capscrew	4
25	d 2302703	Spacer Bar (16 and 18 in. Battery Compartment) (1, and 3 in. Spacer)	2
25	d 2308771	Spacer (16 and 18 in. Battery Compartment) (0.5, 1.5, and 2.5 in. Spacer)	2
26	d 2309538	Tube Spacer (16 and 18 in. Battery Compartment) (1.5 in. Spacer)	2
26	d 2307752	Tube (21 in. Battery Compartment) (1.5 in. Spacer)	2

**CONTACTOR PANEL
"EE" CONSTRUCTION**

ITEM	PART NO.	DESCRIPTION	QTY
	1460300	Control Panel	1
1	1456859	Contactor (☞Figure 2-8).....	1
2	1456857	Contactor (☞Figure 2-7).....	1
3	1456858	Link	1
4	1456860	Link	1
5	325809	Fuse (325 Amp)	1
6	2305577	Nut	10
7	1356204	Washer	5
8	1356217	Fuse Block (2-Way)	2
9	2303287	Washer	5
10	2304976	Spacer	5
11	2306501	Terminal Post	5
12	1456090	Bolt	5
13	2305855	Washer	10
14	302020	Screw	10
15	2304170	Washer	4
16	2303821	Screw	4
17	1458455	Wire Harness	1
18	1458454	Baseplate	1
19	2035285	Link	1
20	2303801	Screw	6
21	2303249	Spring Washer	6
22	a 1383567	Fuse (100 Amp)	1
22	b 1551242	Fuse (125 Amp)	1
23	2310443	Cable Assy	1
24	a 2311848	Contactor (☞Figure 2-6).....	1
24	b 2066545	Contactor	1
25	1331362	Fuse (400 Amp)	1
26	1456084	Relay	2
27	2304572	Washer	2
28	2304498	Screw	2
29	1356209	Washer	4
30	2307803	Washer	4
31	2302461	Screw	4
32	2038015	Suppressor	1
33	1374793	Fuse (10 Amp)	3
34	1456086	Fuse (1 Amp)	1
35	1456864	Diode	1
36	2305916	Insulator	2
37	2303207	Fuse Box	1
38	2309309	Insulator	1
39	2309360	Locknut	5
40	2309425	Insulator	5
41	2303615	Spacer	5

FOOTNOTES:**a** → S/N G138N01896B**b** S/N G138N01897B →

LIFT PUMP CONTACTOR**KEY:****A: "E" Construction****B: "EE" Construction**

ITEM	PART NO.	DESCRIPTION	QTY	
			A	B
	1460319	Contact (Lift)	1	..
	1456859	Contact	1
1	2034484	Contact Assembly (Fixed)	2	2
2	2035396	Contact Assembly (Moving)	1	1
3	1458450	Cover	1	..
3	2034483	Cover	1
4	383977	Screw and Washer Set	2	2
5	1500288	Return Spring	1	..
5	2304334	Spring	1
6	1460748	Coil and Frame	1	..
6	2306344	Coil and Frame	1
7	2305096	Insulator	2
8	2304652	Screw	2
9	2302583	Shroud	1
10	383981	Base	1	1
11	1456865	Shield	2
12	2034488	End Cap	1	1
13	2310691	Kit-Switch	1	..
13	2052148	Contact (Auxiliary)	1	..
13	2052149	Plunger	1	..
13	2052150	Screw	2	..
	383983	Kit-Contactor	1	1

MAIN WIRE HARNESS

ITEM	PART NO.	DESCRIPTION	QTY
	1490652	Wire Harness (Main)	1
1	2035275	Connector	1
2	1561019		
	2035276	Connector (Socket Female)	37
3	1305672	Pin	9
4	1382658	Pin	1
5	Cap	1
6	381413	Contact	13
7	2308000	Socket	8
8	1456118	Connector (Controller)	1
9	2041746	Connector	12
10	2307413	Connector	6
11	2308915	Plug	2
12	2310523	Plug	1
13	2037542	Connector	1
14	2041766	Connector	1
15	2054000	Connector Body (Molex)	1
16	2303328	Connector	1
17	2042982	Pin	2
18	2045004	Plug	7
19	2034890	Connector	1
20	2309579	Socket	29
21	2033695	Connector	1
22	2302852	Pin	2
23	2045693	Housing	1
24	381413	Contact	4
25	2045928	Key	1
26	2049309	Terminal	1
27	2067499	Terminal	2
28	2305754	Terminal	7
29	1310142	Terminal Housing (Blue)	8
30	2045317	Wire Seal	1
31	Insulated Sleeving	AR
32	1382671	Tube (Heat Shrinkable)	AR
33	275493	Conduit	AR
34	2044994	Wire Seal	1
35	2045000	Wire Seal	1
36	275498	Conduit	AR
37	275494	Conduit	AR
38	1450957	E-Spade	2
39	2037543	Plug	1
40	2047820	Wire Seal	6
41	2044992	Seal	2
42	2044998	Wire Seal	2
43	2044997	Connector	1
44	2045003	Connector	1
45	2046613	Seal	1
46	2046612	Seal (6 Circuit)	1
47	2047819	Seal	6

MASTER DRIVE UNIT
(→ S/N G138N01631Z)

ITEM	PART NO.	DESCRIPTION	QTY
1	16830	Capscrew	4
2	15158	Washer	9
3	1329073	Caster (Articulated) (☞Figure 3-9).....	1
4	374595	Spacer	1
5	1303726	Spacer	1
6	1335872	Bushing	2
7	16001	Grease Fitting	1
8	365151	Pin	1
9	221520	Capscrew	1
10	15156	Lockwasher	3
11	15056	Nut	3
12	2307759	Screw	1
13	15158	Washer	1
14	15058	Nut	2
15	1523495	Screw	2
16	15011	Nut	1
17	2306045	Stop (Articulating)	1
18	16085	Capscrew	2
19	15158	Washer	2
20	2307468	Screw	1
21	15001	Nut	1
22	2307281	Chain Anchor	1
22	310253	Pin	1
23	2309281	Adjuster	1
24	2045470	Link	1
25	2305010	Chain	1
26	2034635	Traction Motor (☞Figure 3-7).....	1
27	176640	Bolt	3
28	292681	Lockwasher	3
29	15872	O-Ring	1
30	372096	Pinion	1
31	292687	Lockwasher	1
32	296137	Nut	1
33	385865	Key	1
34	2021593	Wheel Nut	7
35	2013816	Wheel Assy (Rubber)	1
35	2013817	Wheel Assy (Poly)	1
35	1522077	Cushion Tire (Rubber Lion Compound)	1
35	358720	Cushion Tire (Poly) (Poly)	1
35	2013819	Wheel	1
36	2035716	Master Drive Unit (☞Figure 3-4).....	1
37	292529	Capscrew	6
38	292683	Lockwasher	6
39	826378	Axle (☞Figure 3-4).....	1
	a 264134	Loctite	AR

FOOTNOTES:**a** Not Illustrated

TRACTION MOTOR
(→ S/N G138N01631Z)

ITEM	PART NO.	DESCRIPTION	QTY
	2034635	Traction Motor	1
1	2035514	Armature	1
2	2035515	End Head	1
3	2035480	Bearing	2
4	2035482	Retaining Ring	1
5	1195878	Oil Seal	1
6	16782	Capscrew	6
7	15155	Lockwasher	6
8	1326866	Pole Shoe	4
9	2036134	Kit-Field Coil	1
9	2035517	Kit-Field Coil	1
9	2046618	Field Coil	1
9	2046619	Field Coil	1
9	2046620	Field Coil	1
9	2046621	Field Coil	1
10	2035486	Insulator	4
11	17151	Capscrew	8
12	2035518	Housing	1
13	2302673	Insulator	2
14	2307351	Washer	2
15	15905	Lockwasher	2
16	2309525	Nut	4
17	2311684	Lockwasher	4
18	2050275	Brush Holder	1
19	2035511	Kit-Brush	1
19	2034307		
	1326867	Brush	8
19	2033797	Brush Holder	1
19	1389598	Brush Spring	8
20	2035519	End Head	1
21	2309528	Screw	4
22	2046617	Terminal	1
22	2035516	Terminal	1
23	2037461	Washer	1
24	2037465	Key	1
25	2309528	Screw	4

POWER STEER ARRANGEMENT
(→ S/N G138N01631Z)

ITEM	PART NO.	DESCRIPTION	QTY
	1486470	Steering Tiller	1
1	1457139	Knob	1
2	2045473	Bushing	1
3	1457137	Steering Wheel	1
4	15135	Washer	1
5	190930	Snap Ring	1
6	1486469	Bracket	1
7	1483516	Bracket	1
8	2303164	Screw	1
9	15154	Lockwasher	1
10	15054	Nut	1
11	18515	Washer	2
12	15155	Lockwasher	2
13	15055	Nut	2
14	16815	Capscrew	2
15	15156	Lockwasher	1
16	16805	Capscrew	2
17	15156	Lockwasher	2
18	2308122	Steering Column	1
19	2042519	Steering Pump (☞ Figure 4-3).....	1
20	16549	Fitting	1
21	16547	Fitting	1
22	16540	Connector	2
23	16330	Capscrew	2
24	177949	Lockwasher	2
25	1502640	Steering Motor (☞ Figure 4-6).....	1
26	222400	Fitting	2
26	16485	O-Ring	1
27	380699	Sprocket	1
28	221777	Washer	1
29	17422	Locknut	1
30	2046022	Hose Assy	2
31	16556	Fitting (Elbow)	1
32	110178	Fitting	1
	a 376203	Capscrew	2

FOOTNOTES:**a** Not Illustrated

HYDRAULIC STEER MOTOR
(→ S/N G138N01631Z)

ITEM	PART NO.	DESCRIPTION	QTY
	2047133	Steering Motor	1
1	2307241	Screw	4
2	2304993	Flange	1
3	2309310	Seal	1
4	2309903	Washer	1
5	2307574	Seal	1
6	2307384	Seal	1
7	2305959	Bearing	1
8	2304353	Needle Bearing	1
9	2048454	Woodruff Key (for Tapered Shaft)	1
10	2048455	Housing	1
11	2305510	Drive Gear	1
12	2311711	Seal	3
13	2309765	Plate	1
14	2302574	Kit-Gear	1
15	2303998	End Cap	1
16	2308606	Screw	7
17	222442	Fitting	1

5

BRAKE/ACCELERATOR SYSTEM

BRAKE PEDAL AND OPERATOR SENSING SWITCH

ITEM	PART NO.	DESCRIPTION	QTY
1	1498079	Floormat Assembly	1
1	1498076	Floormat	1
1	1460329	Floorplate	1
2	2032119	Switch	1
3	1473820	Floorplate	1
4	2304627	Hose	1
5	2308077	Hose	1
6	2305783	Master Cylinder (☞ Figure 5-5).....	1
7	18513	Capscrew	2
8	1463593	Bolt	1
9	1463586	Bushing	1
10	372650	Pin	1
11	1457122	Brake Pedal	1
12	15055	Nut	2
13	15155	Lockwasher	2
14	15172	Washer	1
15	15200	Cotter Pin	1
16	1457180	Pad	1
17	1512440		
	302399	Nut	1
18	1607437	Clamp	1
	a 2046308	Clamp	1

FOOTNOTES:**a** Not Illustrated

HOIST PUMP MOTOR
(→ 9/2001)

ITEM	PART NO.	DESCRIPTION	QTY
	2302266	Pump Motor	1
1	2306090	Screw	8
2	2033786	End Head	1
3	2302675	Ball Bearing	1
4	2311821	Retaining Ring	1
5	2035821	Kit-Field Coil	1
6	2037553	Pole Shoe	4
7	2033793	Armature	1
8	1389601	Bearing	1
9	2307221	Spring	1
10	2033799	Housing	1
11	287851	Capscrew	2
12	2033800	Lockwasher	2
13	1326871	Nut	2
14	17151	Capscrew	8
15	2309528	Screw	12
16	2034306	Kit-Brush	1
17	1326868	Terminal	1
18	2307969	Brush Holder	1
19	1326874	End Head	1
20	2309528	Screw	4
	a 1389598	Brush Spring	8
21	2037465	Key	1
	a 2037616	Adhesive	AR

FOOTNOTES:**a** Not Illustrated

7

MAST-THREE STAGE FULL FREE-LIFT

**HOSE ARRANGEMENT
A701 MAST**

ITEM	PART NO.	DESCRIPTION	QTY
1	1500830	Manifold	1
2	201783	Fitting	2
3	1490097	Tube	1
4	1488218	Hose Assy	1
5	Fitting	1
6	1488723	Hose	1
7	16561	Elbow	1
8	14586	T-Fitting	1
9	1488671	Tube	1
10	1488274	Hose Assy	2
11	2309831	Grip	1

MAIN LIFT CYLINDER
THREE STAGE FULL FREE-LIFT (8/2002 →)

KEY:**A: C570 Mast****B: A701 Mast**

ITEM	PART NO.	DESCRIPTION	QTY	
			A	B
7	39348	O-Ring	1
8	257913	Check Valve	AR	AR
9	386682	Shim (0.020 in.)	AR	AR
9	386683	Shim (0.007 in.)	AR	AR
9	386684	Shim (0.005 in.)	AR	AR
10	187388	Snap Ring	1
11	335012	Back-Up Ring	1	1
12	297531	Washer	1	1
13	1356751	Wear Ring	1	1
14	1310339	Piston	1	..
15	1356748	Piston Ring	1	1
16	a	Tube Wldmt-Cylinder	1	1
17	2307856	Hyd Velocity Fuse	1	1
17	16485	O-Ring	1	1
18	186061	Lubricant	AR	AR
	1355714	Kit-Seal	1
	2056004	Kit-Seal	1	..

FOOTNOTES:**a** Refer to Table

**SECTION 8
CARRIAGE**

DESCRIPTION	PAGE
DOUBLE REACH CARRIAGE	
INNER FRAME	8-14
INTEGRAL SIDE-SHIFT ASSEMBLY	8-24
INTEGRAL SIDE-SHIFT CYLINDER	8-20
INTEGRAL TILT ASSEMBLY	8-22
REACH ASSEMBLY	
24 IN. REACH	8-2
42 IN. REACH	8-3
REACH CYLINDER	
24 IN. REACH	8-17
42 IN. REACH (→ S/N G138N01920B)	8-18
42 IN. REACH (S/N G138N01921B →)	8-19
SCISSOR ASSEMBLY	
24 IN. REACH	8-8
42 IN. REACH	8-4
SINGLE REACH CARRIAGE	
INNER FRAME	8-10

**SINGLE REACH CARRIAGE
INNER FRAME**

ITEM	PART NO.	DESCRIPTION	QTY
1	1479089	Frame (Rear) (5.5 Mast)	1
1	b 1492125	Frame (Rear) (6.9 Mast)	1
2	1476622	Bushing	2
3	1479251	Valve Block	1
4	1502990	Bracket	1
5	2308558	Spacer	2
6	2305275	Roller (3.1 in.)	2
6	2309266	Roller (3.0 in.)	2
6	2309614	Roller (2.9 in.)	4
7	2308542	Washer	2
8	2309514	Load Roller (5.5 in. Mast)	6
8	2303610	Load Roller (6.9 in. Mast)	4
9	2311941	Snap Ring (5.5 in. Mast)	6
9	2305888	Snap Ring (6.9 in. Mast)	4
10	2044514	Retaining Ring	2
11	16041	Grease Fitting	12
12	2310327	Side Roller	2
13	292683	Lockwasher	4
14	246001	Capscrew	4
15	2310773	Wear Plug (5.5 in. Mast)	2
15	2805502	Wear Plug (6.9 in. Mast)	2
15	2310824	Setscrew (5.5 in. Mast)	2
15	2311054	Setscrew (6.9 in. Mast)	2
15	296131	Nut (5.5 in. Mast)	2
15	2308151	Nut (6.9 in. Mast)	2
16	2048271	Hose Assy	2
17	2047808	Hose Assy	2
18	110322	Clamp	4
19	16539	Fitting	4
20	14591	Plug	4
21	292507	Capscrew	2
22	1517512	Bracket	1
23	292680	Washer	13
24	16456	Fitting	2
25	132861	Capscrew	2
26	c 1487212	Sheave	1
26	d 1553935	Sheave	1
27	2306377	Shim (0.125 in.)	4
28	2305581	Shim (0.030 in.)	AR
29	c 12898	Snap Ring	1
29	d 12898	Snap Ring	3
30	320157	Washer	4
31	136703	Capscrew	2
32	292681	Lockwasher	10
33	2304805	Hose Clamp	4
34	296379	Washer	2
35	287817	Capscrew	7
36	292501	Capscrew	7
37	320156	Washer	1
38	1495182	Plate	2

INTEGRAL SIDE-SHIFT CYLINDER

ITEM	PART NO.	DESCRIPTION	QTY
	2014548	Sideshift Cylinder	1
1	2309352	Tube	1
2	2306366	Locknut	1
3	2304041	Seal	1
4	2309853	Piston	1
5	2310279	Piston Rod	1
6	55407	O-Ring	1
7	153919	Back-Up Ring	1
8	1381093	Rod Seal	1
9	2302348	Gland	1
10	1351186	Rod Wiper	1
11	186061	Lubricant	AR
	2302265	Kit-Seal	1

CLICK HERE TO **DOWNLOAD** THE COMPLETE MANUAL

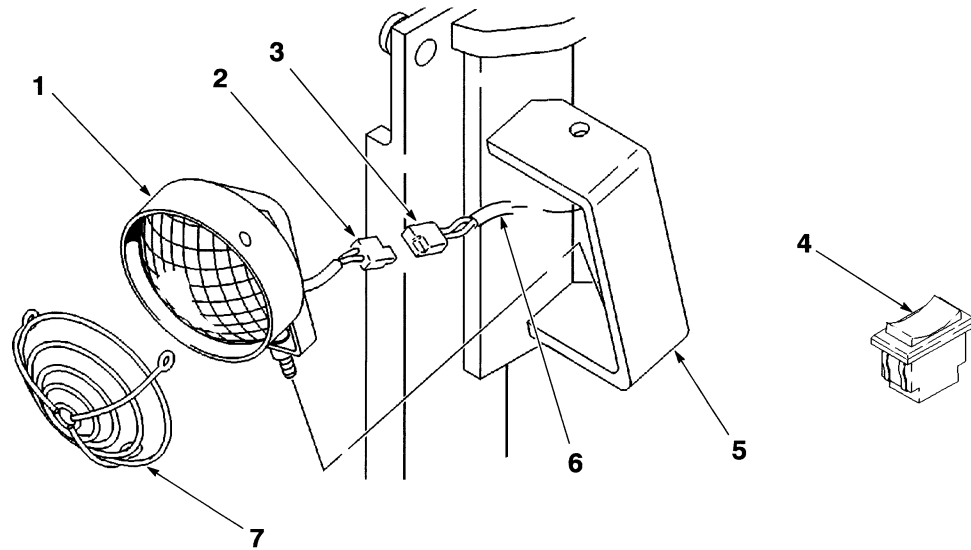
- Thank you very much for reading the preview of the manual.
- You can download the complete manual from: www.heydownloads.com by clicking the link below



- Please note: If there is no response to CLICKING the link, please download this PDF first and then click on it.

CLICK HERE TO **DOWNLOAD** THE COMPLETE MANUAL

MAST MOUNTED HEADLIGHTS (FIGURE 9-7)



HP000721

ITEM	PART NO.	DESCRIPTION	QTY
1	2307345	Headlight	2
1	259747	Bulb	1
2	2307413	Connector (Male)	1
3	381413	Contact (Female)	1
4	1303711	Switch	1
5	1459053	Guard	2
6	1497778	Wire Harness	2
7	1374799	Guard	2
	a 16723	Screw	4
	a 15152	Lockwasher	4
	a 15052	Nut	4
	a 2033612	Strap Clamp	6
	a 2047819	Seal	1
	a 2047820	Wire Seal	2

FOOTNOTES:

a Not Illustrated

AMBER STROBE LIGHT

ITEM	PART NO.	DESCRIPTION	QTY
1	2034636	Strobe Light	1
1	1520506	Bulb	1
1	1586999	Lens	1
2	2035661	Guard	1
3	2044494	Bracket	2
4	18473	Capscrew	4
5	15152	Lockwasher	6
6	15154	Lockwasher	4
7	15054	Nut	4
8	16729	Screw	2
9	1301727	Clamp	6
10	2036891	Wire Harness (Light)	1
11	2033612	Strap Clamp	3
12	1498268	Bracket	1
	1500376	Wire Harness (Y Adapter) (Required with Strobe Light and Working Lights)	1

NUMERICAL INDEX (continued)

PART NO.	PAGE	ITEM	PART NO.	PAGE	ITEM	PART NO.	PAGE	ITEM	PART NO.	PAGE	ITEM
	7-28			6-24	11	2047855	6-7		2052148	2-19	13
2044264	7-31	6	2045618	6-9	3	2047860	7-34		2052149	2-19	13
	7-34	2	2045620	6-7	5	2048097	9-5	22	2052150	2-19	13
2044271	7-31	10		6-9	1	2048098	9-5	9	2052235	4-21	8
	7-34	1	2045624	6-24	10	2048270	7-13	8		6-17	7
2044278	7-26	16	2045693	2-29	23	2048271	8-11	16	2052692	6-3	29
	7-29	16	2045878	6-4	41		8-15	16		6-9	
2044309	7-25	6	2045928	2-29	25	2048344	9-5	23	2052700	9-2	6
	7-28	6	2046022	4-3	30	2048346	9-5	20	2052836	4-5	
2044437	7-3	3	2046247	8-17	5	2048347	9-5	20	2052842	7-7	5
2044440	7-3	3		8-18	5	2048448	9-5	10	2053376	4-5	13
2044447	7-3	3		8-19	5	2048454	4-13	9		4-9	1
2044452	7-3	3	2046248	8-17	6	2048455	4-13	10	2053453	2-3	4
2044457	7-3	3		8-18	6	2048663	7-34		2054000	2-29	15
2044463	7-3	3	2046308	5-9		2048676	7-34	1	2054268	1-11	14
2044467	7-3	3	2046444	5-3		2048677	7-34	1	2054269	1-11	18
2044470	7-3	3	2046446	6-3	35	2048678	7-34	2	2054274	7-8	25
2044494	9-14	3	2046448	7-31	2	2048679	7-34	2	2054284	7-7	5
	9-23	3	2046612	2-29	46	2048765	7-34		2054285	7-7	5
2044514	8-11	10	2046613	2-29	45	2048782	9-27	3	2054286	7-7	5
	8-15	10	2046617	3-17	22	2049026	7-3		2054287	7-7	5
2044939	8-3		2046618	3-17	9	2049309	2-29	26	2054307	2-3	4
2044940	8-3		2046619	3-17	9	2049629	4-11	2	2054407	2-3	4
2044943	8-18	1	2046620	3-17	9	2049630	4-11	4	2055339	9-2	1
	8-19	1	2046621	3-17	9	2049631	4-11	6	2055907	7-3	3
2044945	8-18	1	2046875	7-25	5	2049632	4-11	9	2055908	7-3	1
	8-19	1		7-28	5	2049633	4-11	11	2055915	7-3	
2044956	7-3	1	2046879	7-8	25	2049634	4-11	14	2055948	7-15	15
2044992	2-29	41	2046919	8-12	42	2049635	4-11	15	2055965	7-28	6
	9-5	19	2047049	7-31		2049636	4-11	16	2055966	7-28	6
2044994	2-29	34		7-34		2049637	4-11		2055969	7-28	6
2044997	2-29	43	2047052	7-3	1	2049638	4-11			7-34	2
2044998	2-29	42	2047089	7-8	25	2049639	4-11		2055970	7-28	6
	9-5	18	2047091	7-8	25	2050028	9-5	20	2055971	7-28	6
2045000	2-29	35	2047108	6-24	2	2050275	3-17	18	2055973	7-28	6
2045003	2-29	44		6-24	8	2050279	2-3	1	2055975	7-28	6
2045004	2-29	18	2047133	4-13		2050867	4-11		2055976	7-28	6
2045293	1-11	2	2047194	6-3	33	2051146	8-5	26	2055978	7-29	16
2045296	7-26	16	2047491	9-5	26		8-18		2055979	7-29	16
2045317	2-29	30	2047492	9-5	1	2051147	8-5	28	2055982	7-29	16
2045345	7-13	8	2047808	8-11	17		8-18		2055983	7-29	16
2045419	7-31	10		8-15	17	2051520	7-34	1	2055984	7-29	16
2045470	3-7	24	2047819	2-29	47	2051521	7-34	1	2055986	7-29	16
2045473	4-3	2		9-2		2051522	7-34	1	2055988	7-29	16
	4-5	2		9-13		2051529	7-34	1	2055989	7-29	16
2045530	6-19			9-14		2051676	7-34		2055991	7-28	
2045531	6-19		2047820	2-29	40	2051682	7-34		2055992	7-28	
2045594	9-17	1		9-2		2051699	7-34	2	2055995	7-28	
2045608	9-17	7		9-13		2051700	7-34	2	2055996	7-28	
2045615	6-9	5		9-14		2051701	7-34	2	2055997	7-28	
2045616	6-23	2	2047826	5-3	35	2051714	7-34	2	2055999	7-28	
	6-24	5	2047828	6-3	34	2051970	7-7	5	2056001	7-28	

TABLE OF CONTENTS

DESCRIPTION	PAGE
B	
BACKREST	9-8
BATTERY CONNECTOR	2-20
BATTERY TRAY	9-16
BRAKE ASSEMBLY	5-5
BRAKE PEDAL AND OPERATOR SENSING SWITCH	5-8
BRAKE SYSTEM	
S/N G138N-1631Z⇒.....	5-2
C	
CARRIAGE	
INNER FRAME	8-6
SCISSOR	
24 IN. REACH	8-2
42 IN. REACH	8-4
CASTER ASSEMBLY	3-4
CHAINS, PINS, AND ANCHORS	
THREE STAGE FULL FREE-LIFT	
N45XMR3 - N30XMDR3 STANDARD	7-10
CONTACTOR PANEL	
"E" CONSTRUCTION	2-6
"EE" CONSTRUCTION.....	2-8
D	
DECAL AND PLATE LOCATION	1-8
DOUBLE REACH HYDRAULICS	6-20
DRIVE UNIT	
S/N G138N-1631Z⇒.....	3-8
⇒S/N G138N-1631Z.....	3-6
E	
ELECTRICAL ARRANGEMENT	2-2
ELECTRICAL COMPONENTS.....	2-18
F	
FORKS	
HOOK TYPE	
D/B 10/2001⇒.....	9-6
⇒D/B 10/2001	9-4
FREE LIFT CYLINDER	
D/B 06/2002⇒	7-18
THREE STAGE FULL FREE-LIFT	
N45XMR3 - N30XMDR3 STANDARD	
⇒D/B 06/2002	7-16
G	
GEAR PUMP	6-14

1

FRAME

DECAL AND PLATE LOCATION

ITEM	PART NO.	DESCRIPTION	QTY
1	1339843	Label (Overhead Guard).....	1
2	1490573	Label (Operator Warning).....	1
2	2045293	Label (Operator Warning).....	1
3	2306018	Label (Hyster) (Yellow).....	2
4	2308468	Label (Fork Warning).....	2
5	196927	Label (Type EE).....	2
6	2311746	Label (Model 30).....	2
6	2310932	Label (Model 45).....	2
7	2305689	Label (Pinch Warning).....	2
8	2305417	Label (Hyster).....	1
9	335991	Cover.....	1
10	1453702	Operator Manual.....	1
11	335989	Base.....	1
12	2307400	Rivet.....	8
13	2308076	Mounting Strip.....	2
14	2054268	Label (Nonpowered Lowering).....	1
15	2305811	Label (Articulation Warning).....	1
16	1490805	Label (Cooler).....	1
16	275661	Label (Freezer).....	1
17	1490574	Label (Hydraulic Function).....	1
18	2054269	Label (Battery Notice).....	1
19	1494689	Plate (UL Type E).....	1
19	2013649	Plate (UL Type EE).....	1
20	Nameplate (See Local Dealer).....	1
20	389688	Cover.....	1
21	389692	Label (US Patents and Trademarks).....	1

**CONTACTOR PANEL
"E" CONSTRUCTION**

ITEM	PART NO.	DESCRIPTION	QTY
	1460296	Contacteur Panel ("E" Construction)	1
1	1460319	Contacteur (☞ Figure 2-7)	1
2	1456869	Contacteur (☞ Figure 2-6)	1
3	1456858	Link.....	1
4	1456860	Link.....	1
5	325809	Fuse (325 Amp).....	1
6	2305577	Nut.....	10
7	1356204	Lockwasher	5
8	1356217	Fuse Holder (2-Way)	2
9	2303287	Washer	5
10	2304976	Spacer	5
11	2306501	Terminal Post.....	5
12	1456088	Screw	5
13	2305855	Washer	10
14	302020	Screw	10
15	2304170	Washer	4
16	2303821	Screw	4
17	1458455	Wire Harness	1
18	1460652	Base	1
19	2035285	Link.....	1
20	2303801	Screw	2
21	2303249	Lockwasher	2
22	1383567	Fuse (100 Amp).....	1
23	2310443	Cable	1
24	383931	Contacteur (☞ Figure 2-5)	1
25	1331362	Fuse (400 Amp).....	1
26	1456084	Relay	1
27	2304572	Washer	1
28	2304498	Screw	1
29	1356209	Lockwasher	4
30	2307803	Washer	4
31	2302461	Screw	4
32	2038016	Diode	1
33	1374793	Fuse (10 Amp).....	3
34	1456086	Fuse (1 Amp).....	1
35	1456864	Diode	1

LIFT PUMP CONTACTOR**KEY:****A: "E" Construction****B: "EE" Construction**

ITEM	PART NO.	DESCRIPTION	QTY	
			A	B
	1460319	Contactora	1	..
	1456859	Contactora	1
1	2034484	Contactora (Fixed).....	2	2
2	2035396	Contactora (Moving).....	1	1
3	1458450	Cover.....	1	..
3	2034483	Cover.....	..	1
4	383977	Screw	2	2
5	1500288	Spring.....	1	..
5	2304334	Spring.....	..	1
6	1460748	Coil and Frame	1	..
6	2306344	Coil and Frame	1
7	2305096	Insulator.....	..	2
8	2304652	Screw	2
9	2302583	Shroud.....	..	1
10	383981	Base	1	1
11	1456865	Shield	2
12	2034488	End Cap	1	1
13	2310691	Contactora Kit.....	1	..
13	2052148	Contact (Auxiliary).....	1	..
13	2052149	Spring and Plunger Assembly.....	1	..
13	2052150	Screw	2	..
	383983	Contactora Kit (Includes Items 1-2)	1	1

CASTER ASSEMBLY

ITEM	PART NO.	DESCRIPTION	QTY
	1329073	Caster	1
1	1330242	Caster Swivel	1
2	1329434	Swivel Plate.....	1
3	389572	Bearing.....	1
4	15878	O-Ring.....	1
5	1375464	Bearing.....	1
6	389627	Cover.....	1
7	15245	Cotter Pin	1
8	303139	Nut	1
9	389628	Lube Fitting.....	2
10	389574	Nut.....	1
11	292685	Lockwasher	1
12	388296	Bolt	1
13	1329436	Fork	1
14	15235	Pin	2
15	1357209	Nut.....	2
16	292687	Lockwasher	2
17	389632	Axle Shaft.....	1
18	389630	Wheel	2
19	389628	Lube Fitting	1
20	389635	Washer.....	2
21	389631	Bearing Set	2
22	1300306	Wheel.....	1

4

STEERING SYSTEM

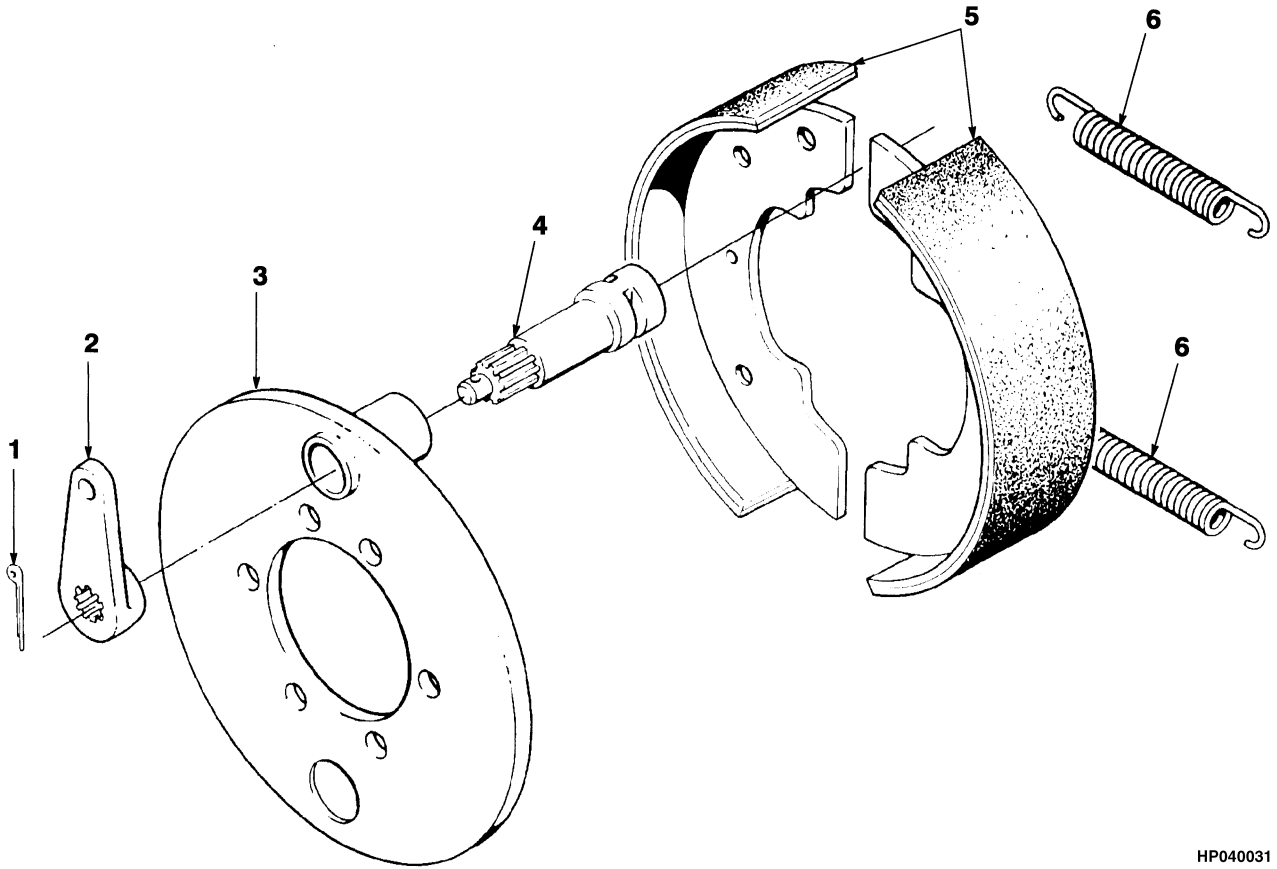
STEER CONTROL UNIT (S/N G138N-1631Z⇒)

ITEM	PART NO.	DESCRIPTION	QTY
	1520858	Steer Control Unit Assembly.....	1
1	2053376	Steer Control Unit.....	1
2	Dust Seal	1
3	O-Ring Seal	3
4	Seal.....	1
5	O-Ring Seal	2
6	O-Ring.....	1
7	Seal.....	1
	342725	Seal Kit (Includes Items 2-7)	1

**STEER AND AUXILIARY MOTOR
"EE" CONSTRUCTION**

ITEM	PART NO.	DESCRIPTION	QTY
	1457328	Steer and Auxiliary Motor ("EE" Construction)	1
1	2305818	Cover	1
2	2309850	Terminal Stud Kit	2
3	2305219	Brush Ring Assembly	1
4	2307487	Brush	4
5	2303924	Brush Ring	1
6	286082	Brush Spring	4
7	2304048	Armature	1
8	2310199	Bearing	1
9	97847	Ball Bearing	1
10	286097	Washer	1
11	2311051	Cover	1
12	2307189	Cover	1
13	1460147	Stator	1
14	2305770	Bolt	2
15	2305594	Cover	1
16	2306143	Fan	1
17	2306708	Cover	1

BRAKE ASSEMBLY (Figure 5-2)



HP040031

ITEM	PART NO.	DESCRIPTION	QTY
	2309129	Brake Assembly	1
1	1308529	Clip	1
2	380766	Lever.....	1
3	1308526	Backing Plate	1
4	1308527	Camshaft	1
5	1327196	Shoe and Lining	2
6	1308531	Spring.....	2

SECTION 6 HYDRAULIC SYSTEM

DESCRIPTION	PAGE
DOUBLE REACH HYDRAULICS	6-20
GEAR PUMP	6-14
HYDRAULIC CONTROL VALVE	
D/B 05/2002⇒	6-8
⇒D/B 05/2002	6-6
HYDRAULIC MOTOR.....	6-16
HYDRAULIC PUMP AND MOTOR.....	6-12
HYDRAULIC SYSTEM.....	6-2
HYDRAULIC TANK ASSEMBLY	6-10
SINGLE REACH HYDRAULICS.....	6-18

HYDRAULIC TANK ASSEMBLY

ITEM	PART NO.	DESCRIPTION	QTY
	1457032	Hydraulic Tank Assembly (16 in. Battery Compartment).....	1
	1458222	Hydraulic Tank (18 and 21 in. Battery Compartment)	1
1	1458183	Cap.....	1
2	220283	Screw	2
3	15151	Lockwasher	2
4	2035150	Strainer.....	1
5	15113	Nut.....	4
6	197068	Washer	4
7	1459680	Cover.....	1
8	1457041	Gasket	1
9	15000	Nut.....	4
10	1454517	Seal.....	4
11	15127	Washer	4
12	220361	Screw	4
13	1459678	Hydraulic Tank (16 in. Battery Compartment).....	1
13	1458193	Hydraulic Tank (18 and 21 in. Battery Compartment).....	1
14	2304746	Clamp.....	2

DOUBLE REACH HYDRAULICS

ITEM	PART NO.	DESCRIPTION	QTY
1	1479540	Cover	1
2	1484040	Valve assembly.....	1
2	1489833	Valve Assembly	1
2	2045616	Counterbalance.....	1
2	2047108	Cartridge Valve	3
2	1335546	Plug.....	2
2	2047106	Plug.....	18
3	16540	Fitting (O-Ring).....	2
4	16538	Fitting (O-Ring).....	4
5	292681	Lockwasher	2
6	136681	Capscrew	4
7	201766	Fitting (O-Ring).....	2
8	1491705	Hose Assembly	1
9	1487928	Hose Assembly	1
10	1487928	Hose Assembly	1
11	1487927	Hose Assembly	1
12	1487927	Hose Assembly	1
13	2304717	Hose	1
14	2304805	Clamp	2
15	287817	Capscrew	1
16	1490409	Wire Assembly	1
17	1487212	Sheave	1
18	12898	Snap Ring.....	2
19	1492291	Pin	2
20	296420	Washer	4
21	293781	Washer	4
22	287854	Capscrew	2
23	17753	Fitting (O-Ring).....	2
24	1495181	Plate	2
25	292680	Lockwasher	2
26	293601	Capscrew	2
27	Stop Bar	1
28	1497736	Spacer	1
29	2311976	Stop (Polyurethane).....	2
29	2306246	Shim	AR
30	296417	Lockwasher	2
31	296216	Capscrew	4
32	292501	Capscrew	3
33	2303234	Strap Clamp	1
34	1498180	Bracket	1
35	2311932	Cap.....	2

**HEADER HOSE
THREE STAGE FULL FREE-LIFT**

ITEM	DESCRIPTION 1 2 3 4	LIFT HEIGHT TO BOTTOM OF FORKS			
		5340 mm (210.25 in.)	6102 mm (240.25 in.)	6331 mm (249.25 in.)	6864 mm (270.25 in.)
		Mast Group Number	C570 5321	C570 6083	C570 6312
16	Hose Assembly	2052837	2052838	2047087	2052840
21	Lift Cylinder	2305684	2304500	2309847	2311906
22	Cable Assembly	1488584	1488595	1501058	1501064
23	Hose Assembly	2043664	2043664	2043667	2043674

ITEM	DESCRIPTION 1 2 3 4	LIFT HEIGHT TO BOTTOM OF FORKS			
		7245 mm (285.25 in.)	7626 mm (300.25 in.)	8084 mm (318.25 in.)	8388 mm (330.25 in.)
		Mast Group Number	C570 7226	C570 7607	C570 8065
16	Hose Assembly	2052842	2054284	2054265	2054286
21	Lift Cylinder	2304262	2303446	2037746	2303480
22	Cable Assembly	1501069	1501074	1501081	1501084
23	Hose Assembly	2043683	2043668	2043694	2043698

ITEM	PART NO.	DESCRIPTION	QTY
	1488546	Free-Lift Header Assembly	1
1	1477533	Bracket	1
2	1477535	Guard	2
3	1375907	Ball Bearing	2
4	1477534	Chain Sheave	2
5	1477536	Sheave	1
6	2034909	Sheave	2
7	2034908	Sheave	1
8	296225	Screw	4
9	320157	Washer	2
10	292681	Lockwasher	2
11	58922	Snap Ring.....	2
12	304526	Snap Ring.....	1
13	296165	Capscrew	2
14	15212	Cotter Pin	4
15	2303049	Pin	2
16	a	Hose Assembly	2
17	1369357	Chain Anchor.....	2
18	297649	Ring.....	2
19	161003	Nut.....	2
20	2309976	Retaining Ring.....	1
21	a	Lift Cylinder (☞ Figure 7-3)	1
22	a	Cable Assembly	1
23	a	Hose Assembly	2

FOOTNOTES:

a Refer to Table

**FREE LIFT CYLINDER
THREE STAGE FULL FREE-LIFT
N45XMR3 - N30XMDR3 STANDARD
(⇒D/B 06/2002)**

ITEM	DESCRIPTION 1 2 3 4	LIFT HEIGHT TO BOTTOM OF FORKS				
		5385 mm (212.0 in.)	6147 mm (242 in.)	6375 mm (251 in.)	6909 mm (272 in.)	7290 mm (287 in.)
		Mast Group Number	B567 5321	B585 6147	B585 6375	B585 6909
	Cylinder Group Number	8605913	8602838	8602841	8602850	8602856
	Lift Cylinder	2047049	2304500	2309847	2311906	2048663
6	Rod Assembly	2044264	2307325	2308976	2303008	2037815
10	Tube	2044271	2305814	2306625	2304626	2037816

ITEM	DESCRIPTION 1 2 3 4	LIFT HEIGHT TO BOTTOM OF FORKS			
		7671 mm (302 in.)	8128 mm (320 in.)	8433 mm (332 in.)	8661 mm (341 in.)
		Mast Group Number	B585 7671	B585 8128	B585 8433
	Cylinder Group Number	8602862	8602869	8602874	8602877
	Lift Cylinder	2048664	2048765	2303480	2310440
6	Rod Assembly	2302020	2037747	2311337	2307379
10	Tube	2309854	2045419	2305468	2311144

ITEM	PART NO.	DESCRIPTION	QTY
	a	Lift Cylinder.....	1
1	2304861	Wiper Ring.....	1
2	2046448	Seal	1
3	2308612	Gland.....	1
4	154678	Back-Up Ring	1
5	92482	O-Ring.....	1
6	a	Rod Assembly.....	1
7	2307137	Wear Ring	1
8	2302806	Ball	2
9	2305120	Plug	2
10	a	Tube.....	1
11	2309712	Velocity Fuse	1
12	190887	Seal	1
13	295649	Screw	1
14	186061	Packing Lubricant.....	AR
	2303974	Seal Kit (Includes Items 1-2, 4-5, 7, 12)	1

FOOTNOTES:

a Refer to Table

**CARRIAGE
SCISSOR
24 IN. REACH**

ITEM	PART NO.	DESCRIPTION	QTY
1	16805	Capscrew.....	6
1	15156	Lockwasher	6
1	383789	Thread Sealer.....	AR
2	1486693	Cap	2
3	2043580	Washer	2
4	2310710	Washer	2
5	1492292	Arm Assembly (RH).....	1
6	1487222	Arm Assembly (LH)	1
7	1476621	Bearing	2
7	2307226	Shim (0.050 in.).....	AR
8	1374536	Bushing.....	2
9	16041	Lube Fitting	6
10	1500857	Bushing.....	2
11	2306236	Washer	2
12	1487212	Sheave.....	1
13	12898	Snap Ring.....	2
14	2302771	Load Bearing	2
14	2306542	Shim (0.020 in.).....	AR
15	1479750	Support.....	1
16	1476620	Valve Assembly (Without Side-Shift)	2
17	2311504	Bushing.....	2
18	1492291	Pin	2
19	1495154	Bolt	4
20	1480379	Pin	2
21	2310385	Pin	2
22	230882	Nut	4
23	366989	O-Ring Fitting	4
24	16538	Fitting.....	4
25	2043577	Cylinder Assembly (RH) (☞ Figure 8-4)	1
26	2043574	Cylinder Assembly (LH) (☞ Figure 8-4)	1
	a 292508	Capscrew.....	2

FOOTNOTES:

a Not Illustrated

INTEGRAL SIDE-SHIFTER CYLINDER

ITEM	PART NO.	DESCRIPTION	QTY
	2014548	Side-Shift Cylinder	1
1	2309352	Tube.....	1
2	2306366	Nut.....	1
3	2304041	Seal Assembly.....	1
4	2309853	Piston	1
5	2310279	Rod.....	1
6	55407	O-Ring	1
7	153919	Back-Up Ring	1
8	1381093	Seal	1
9	2302348	Gland.....	1
10	1351186	Wiper Ring.....	1
11	186061	Packing Lubricant	AR
	2302265	Packing Kit (Includes Items 3, 8, 10)	1

SHELF HEIGHT SELECTOR

ITEM	PART NO.	DESCRIPTION	QTY
1	2047492	Display Bracket.....	1
2	1457988	Cover.....	1
3	2038592	Shelf Height Controller.....	1
4	374046	Plug.....	2
5	197067	Washer.....	4
6	18423	Washer.....	8
7	17943	Capscrew.....	4
8	16731	Screw.....	4
9	2048098	Mounting Plate.....	1
10	2048448	Bracket.....	1
11	1459888	Linear Sensor.....	1
12	15154	Lockwasher.....	4
13	16378	Capscrew.....	4
14	292682	Lockwasher.....	4
15	287854	Capscrew.....	2
16	2041750	Amp Socket.....	3
17	2308915	Plug.....	1
18	2044998	Amp Wire Seal.....	1
19	2044992	Interface Seal.....	1
20	2048346	Cable Assembly (Mast 95-130 in. OAH).....	1
20	2048347	Cable Assembly (Mast 131-146 in. OAH).....	1
20	2050028	Cable Assembly (Mast 147-179 in. OAH).....	1
21	2033612	Tie-Down.....	6
22	2048097	Mounting Bar.....	1
23	2048344	Wire Harness.....	1
24	137852	Strap Clamp.....	2
25	287860	Capscrew.....	2
26	2047491	Display Assembly.....	1
	a 2308557	Cushion.....	1

FOOTNOTES:

a Not Illustrated

LIGHT AND FAN ASSEMBLY

ITEM	PART NO.	DESCRIPTION	QTY
	2036504	Light and Fan	1
1	Housing	1
2	1363016	Flood Lens	2
3	1464085	Fan (12 Volt)	1
4	Screw	5
5	Fan Guard	1
6	Screw	4
7	Washer	4
8	Nut	4
9	Lamp Holder	1
10	1364444	Bezel	2
11	2045594	Lens	2
12	Plate	1
13	1302258	Bulb	2
14	1464093	Fan Switch	1
14	1464094	Light Switch	1
15	1471697	Hardware Kit	1
15	1486513	Bracket (Short)	1
15	1486515	Bracket (Long)	2
16	2309223	Lamp	2
17	1463849	Grease	AR
18	Louver Fan	1
	a 1464067	Switching Circuit Converter	1
	a 2033612	Tie-Down	3
	a 1500283	Wire Harness (Light and Fan)	1

FOOTNOTES:

a Not Illustrated

NUMERICAL INDEX (Continued)

<u>PART NO.</u>	<u>PG</u>	<u>ITEM</u>	<u>PART NO.</u>	<u>PG</u>	<u>ITEM</u>	<u>PART NO.</u>	<u>PG</u>	<u>ITEM</u>	<u>PART NO.</u>	<u>PG</u>	<u>ITEM</u>
	6-21	31	368438	3-7	28	386845	9-17	4			3-5
296225	7-7	8	368439	3-7	28	387979	9-17	1	1329434	3-5	2
296379	6-19	29	368440	3-7	28	387980	9-17	8	1329436	3-5	13
	8-5	40	368441	3-7	28	387985	9-17	9	1330242	3-5	1
	8-7	34	368443	3-7	19	388296	3-5	12	1330698	2-15	1
296417	6-19	25	368444	3-7	19	389572	3-5	3	1331362	2-7	25
	6-21	30	368445	3-7	19	389574	3-5	10		2-9	25
296420	6-19	16	368446	3-7	10	389627	3-5	6	1332404	7-19	1
	6-21	20	368702	9-4	6	389628	3-5	9	1334303	9-7	1
	7-3	12	368705	9-4	5		3-5	19	1334304	9-7	1
296426	7-3	22	368706	9-4	2	389630	3-5	18	1334306	9-7	1
297530	7-15	8	368707	9-4	4	389631	3-5	21	1335543	6-9	4
297531	7-15	12	369795	9-4	7	389632	3-5	17	1335546	6-19	8
297649	7-7	18	372096	3-3	30	389635	3-5	20		6-21	2
302020	2-7	14		3-7	15	389688	1-9	20	1335872	3-3	6
	2-9	14	372097	3-7	17	389692	1-9	21	1337197	2-19	3
302399	5-9	8	372650	5-9	10	826223	9-17	1	1339843	1-9	1
303139	3-5	8	373301	8-8	49	996309	2-15	12	1345908	2-13	12
304526	7-7	12	374046	2-19	9	1195878	3-11	26	1350273	6-13	1
310253	3-3	22		9-3	4	1300306	3-5	22	1351186	8-11	11
316834	8-7	40	374160	5-3	36	1300689	9-17	10		8-13	10
317731	7-11	10	374595	3-3	4	1301727	3-13	19	1355409	7-15	3
318707	3-7	12	375988	6-3	28		9-10	12	1355713	7-15	3
	3-9	37	376203	4-3	33	1302258	9-13	13	1355714	7-15	20
318709	3-7	13	378547	2-13	5	1303711	9-9	4	1355838	7-15	21
	3-7	21	379522	2-13	6		9-10	6	1356204	2-7	7
320156	8-7	37	379523	2-13	8	1303726	3-3	5		2-9	7
320157	5-9	8	379524	2-13	11	1305672	9-10	16	1356209	2-7	29
	7-7	9	379902	2-3	25	1307687	2-3	44		2-9	29
	8-7	30		2-19	2	1308526	5-5	3	1356217	2-7	8
325809	2-7	5	380699	4-3	27	1308527	5-5	4		2-9	8
	2-9	5	380713	3-7	4	1308529	5-5	1	1356751	7-15	13
325819	2-3	6	380719	3-7	11	1308531	5-5	6	1357209	3-5	15
334156	7-15	2	380721	3-7	2	1310339	7-15	14	1363016	9-13	2
	7-15	2	380766	5-5	2	1310370	7-14	1	1364444	9-13	10
335012	7-15	11	383789	8-3	1	1314299	2-15	4	1369357	7-7	17
335989	1-9	11	383931	2-7	24	1315469	2-15	2	1369419	1-7	16
335991	1-9	9		2-13		1315470	2-15	3	1371287	6-3	18
342725	4-9	8	383973	2-15	5	1315550	2-15	6	1371741	4-21	3
354119	3-7	25	383977	2-17	4	1319668	7-14	1		6-15	2
355327	6-3	26	383981	2-17	10	1326866	3-11	1	1371743	4-21	6
358720	3-3	34	383983	2-17	14	1326867	3-11	20		6-15	5
360121	9-14	3	383984	2-13	9	1327196	5-5	5	1371744	4-21	5
360269	3-3	38	383985	2-13	8	1327521	3-7	35		6-15	4
365151	3-3	8	384211	9-4	1	1327523	3-7	35	1371746	4-21	28
366989	8-3	23	384213	9-4	1	1327524	3-7	19		6-15	14
	8-5	27	384214	9-4	1	1327534	3-7	14	1374238	2-13	10
368427	3-7	27	384398	2-13	7	1327536	3-7	8	1374536	8-3	8
368428	3-7	35	385865	3-3	39	1327537	3-7	3		8-5	2
368429	3-7	35	386682	7-15	9	1327538	3-7	7	1374793	2-3	42
368432	3-7	23	386683	7-15	9	1327539	3-7	9		2-7	33
368433	3-7	16	386684	7-15	9	1329073	3-3	3		2-9	33

CLICK HERE TO **DOWNLOAD** THE COMPLETE MANUAL

- Thank you very much for reading the preview of the manual.
- You can download the complete manual from: www.heydownloads.com by clicking the link below



- Please note: If there is no response to CLICKING the link, please download this PDF first and then click on it.

CLICK HERE TO **DOWNLOAD** THE COMPLETE MANUAL