

PARTS MANUAL

**ELECTRIC
J40-50-60-65XM**

(A216)

CUSTOMER EDITION

HYSTER

CLICK HERE TO **DOWNLOAD** THE COMPLETE MANUAL

- Thank you very much for reading the preview of the manual.
- You can download the complete manual from: www.heydownloads.com by clicking the link below



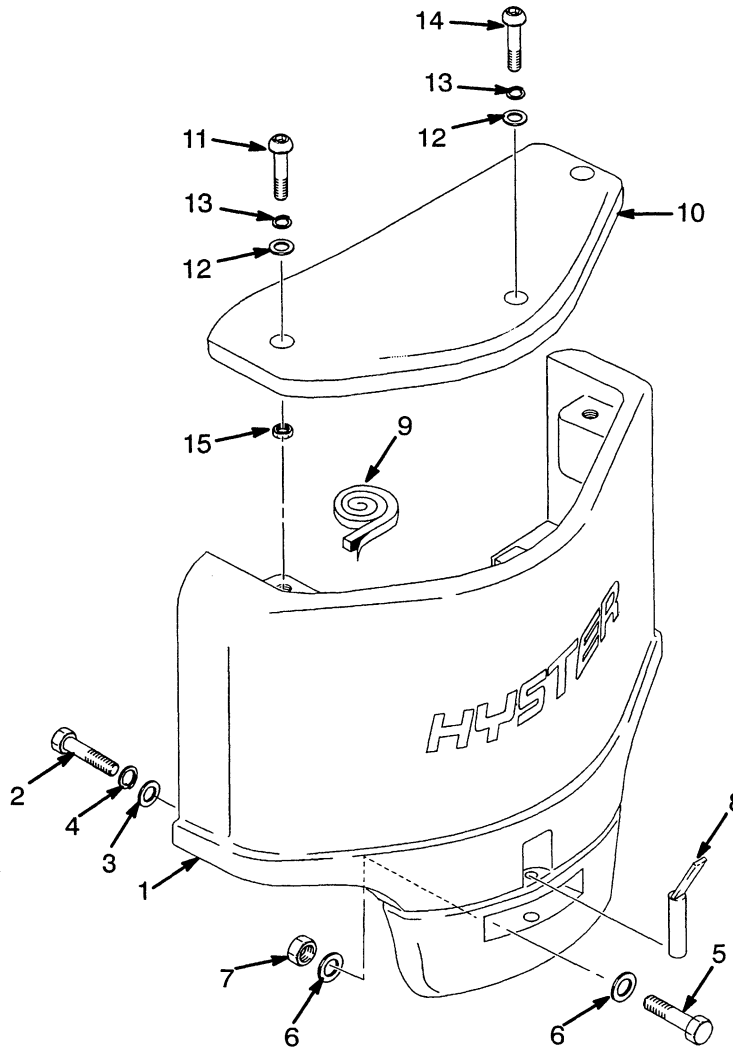
- Please note: If there is no response to CLICKING the link, please download this PDF first and then click on it.

CLICK HERE TO **DOWNLOAD** THE COMPLETE MANUAL

TABLE OF CONTENTS

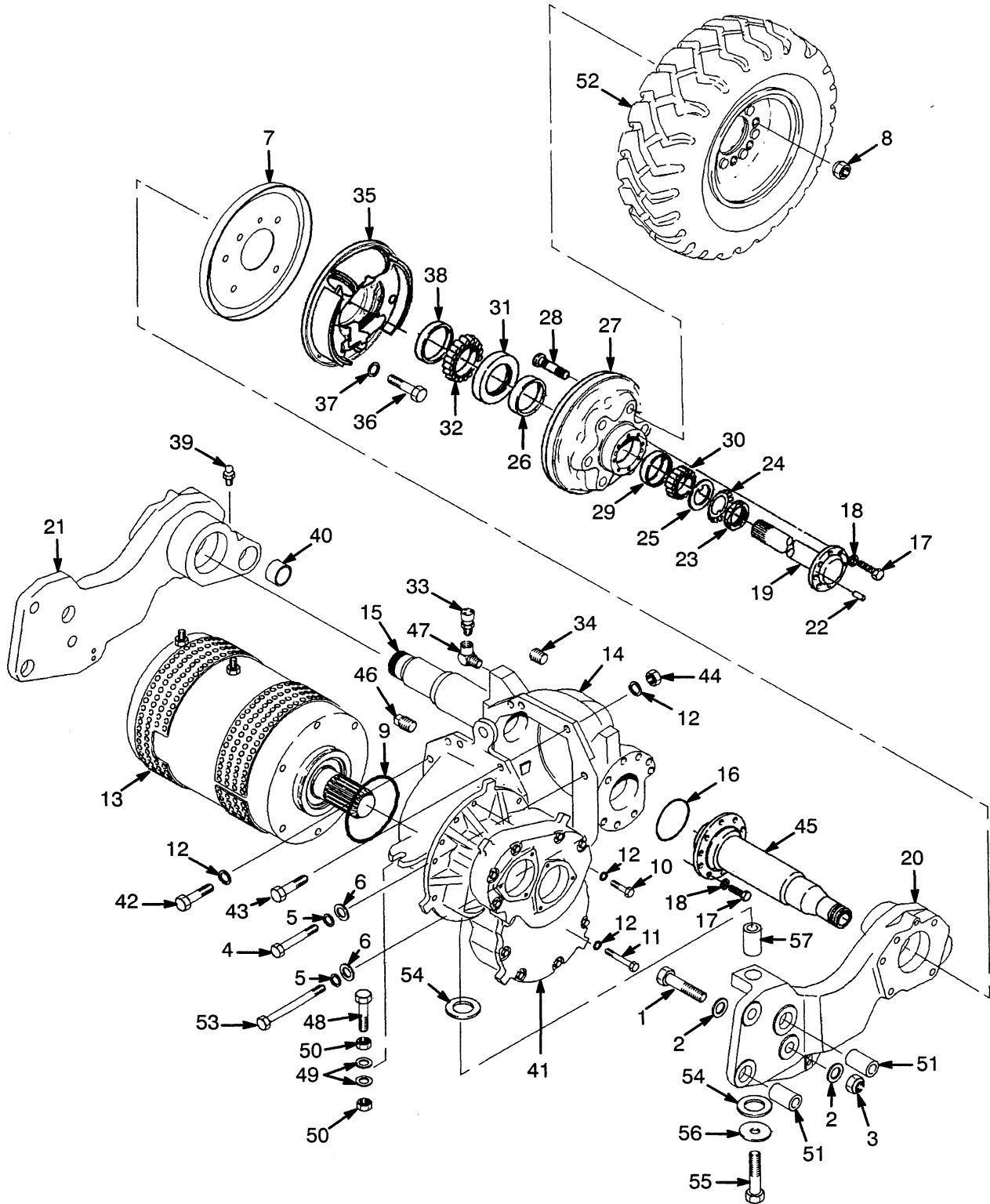
<u>DESCRIPTION</u>	<u>PAGE</u>
V	
VALVE ATTACHING PARTS (Figure 70)	Page 116
W	
WIRE HARNESS (Figure 51) ON-DEMAND STEERING	Page 91
WIRE HARNESS (Figure 52) INSTRUMENT CLUSTER (PREMIUM DISPLAY) WITH SCR HYDRAULICS	Page 92
WIRE HARNESS (Figure 53) INSTRUMENT CLUSTER ECONOMY DISPLAY	Page 93
WIRE HARNESS (Figure 54) INSTRUMENT CLUSTER (PREMIUM DISPLAY) WITH CONTACTOR HYDRAULICS	Page 94
WIRE HARNESS (Figure 55) IGNITION SWITCH	Page 95
WIRE HARNESS (Figure 56) MAIN	Page 96
WIRE HARNESS (Figure 57) FORWARD AND REVERSE LEVER	Page 97

COUNTERWEIGHT (Figure 8)



Ref	Part No.	Name Of Part	Qty	Ref	Part No.	Name Of Part	Qty
1	a	1364151 Counterweight	1	10	1364718	Cover	1
1	b	1364152 Counterweight	1	11	1364902	Capscrew	2
2		292584 Capscrew	2	12	320160	Washer	3
3		320169 Washer	2	13	292682	Lockwasher	3
4		292687 Lockwasher	2	14	1379470	Capscrew	1
5		292531 Capscrew	2	15	296128	Nut	2
6		320162 Washer	4				
7		300937 Nut	2	a	J40-50XM-28.29 in Battery Compartment, J50-60XM-33.90 in Battery Compartment		
8		326347 Pin	1	b	J65XM-33.90 in Battery Compartment		
9		283259 Foam Tape	AR				

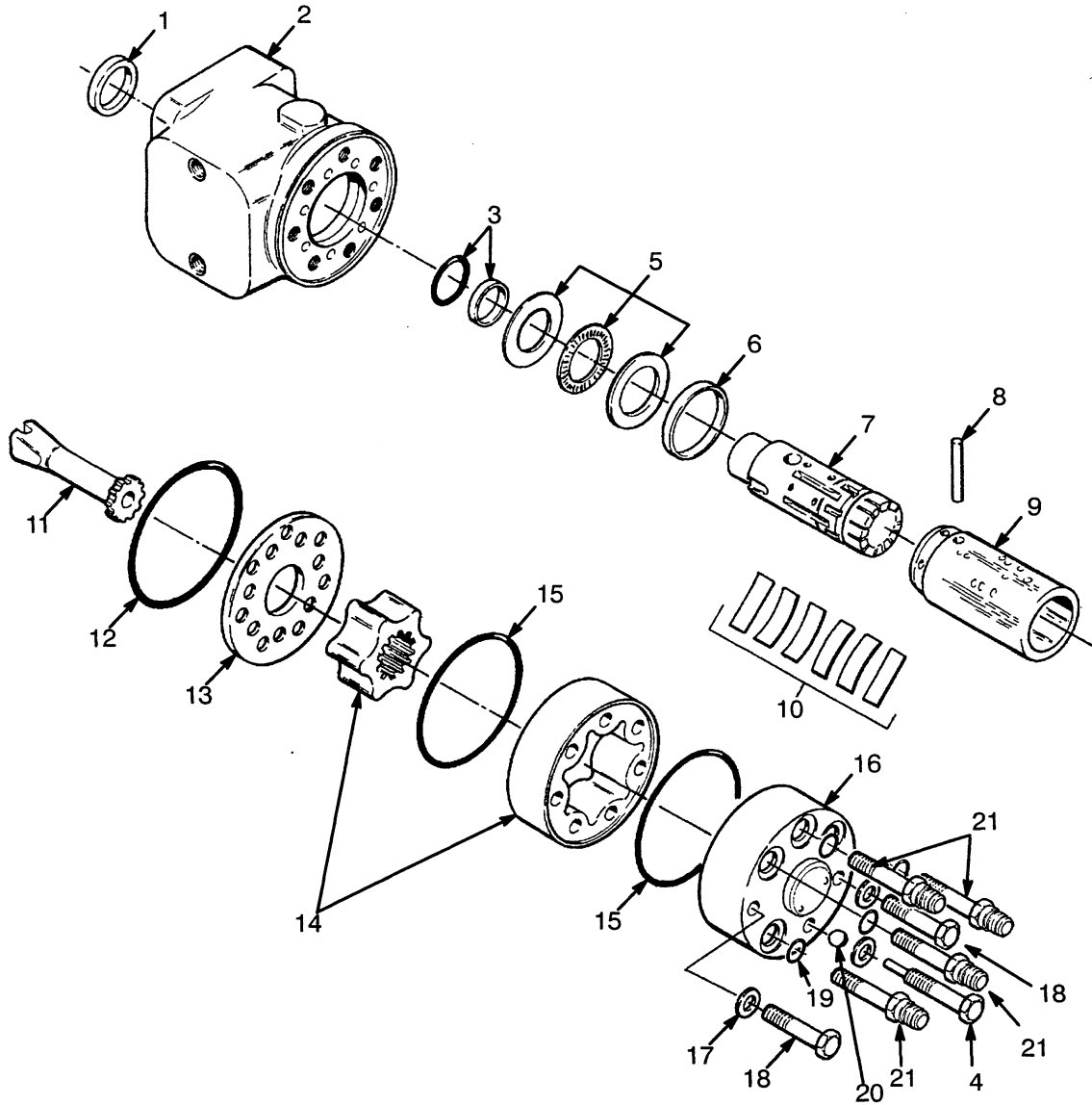
DRIVE AXLE (Figure 12)



STEERING CONTROL UNIT (Figure 16)

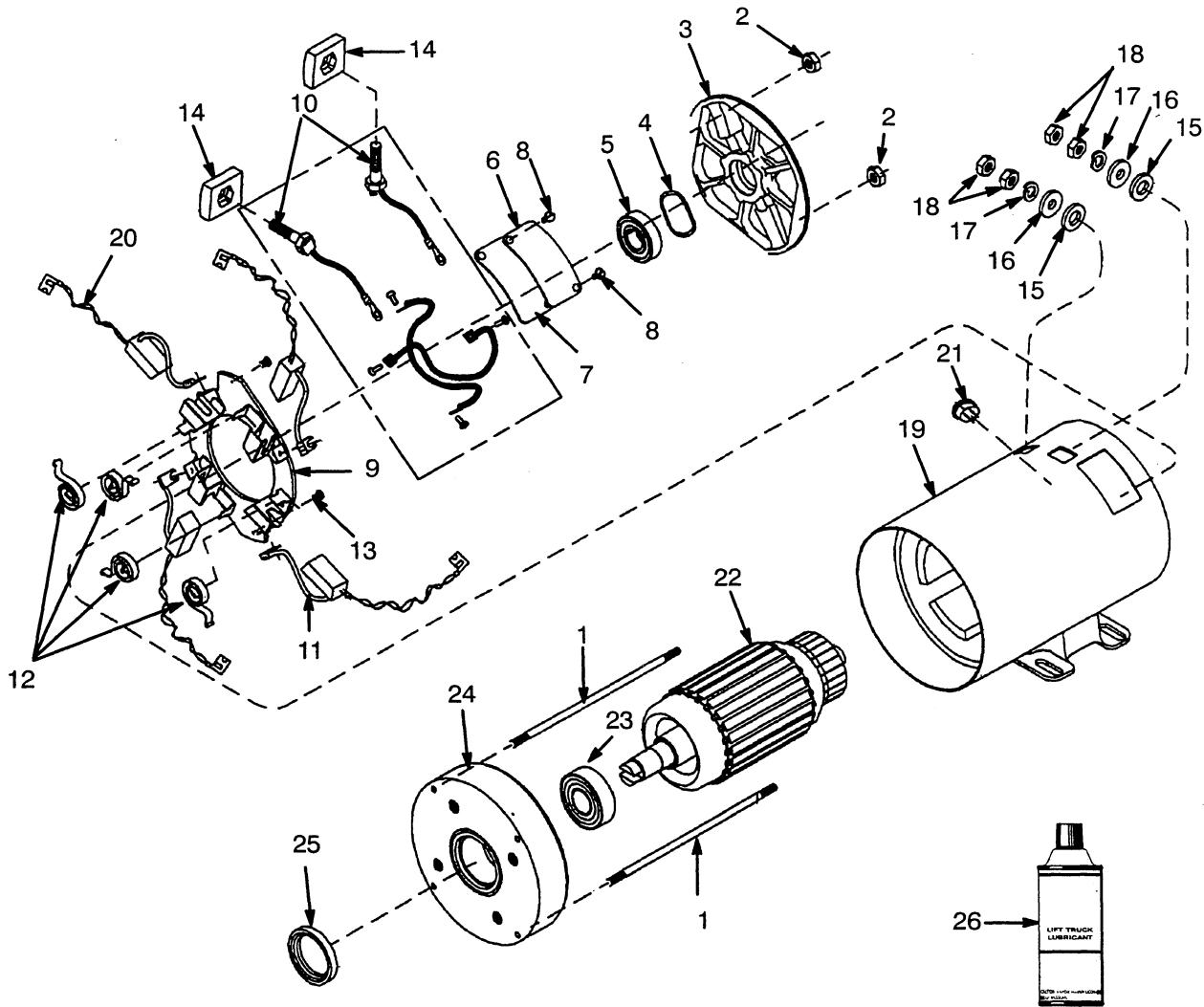
IDENTIFY BY PART NUMBER

LAST USED ON DATE BREAK 7/97



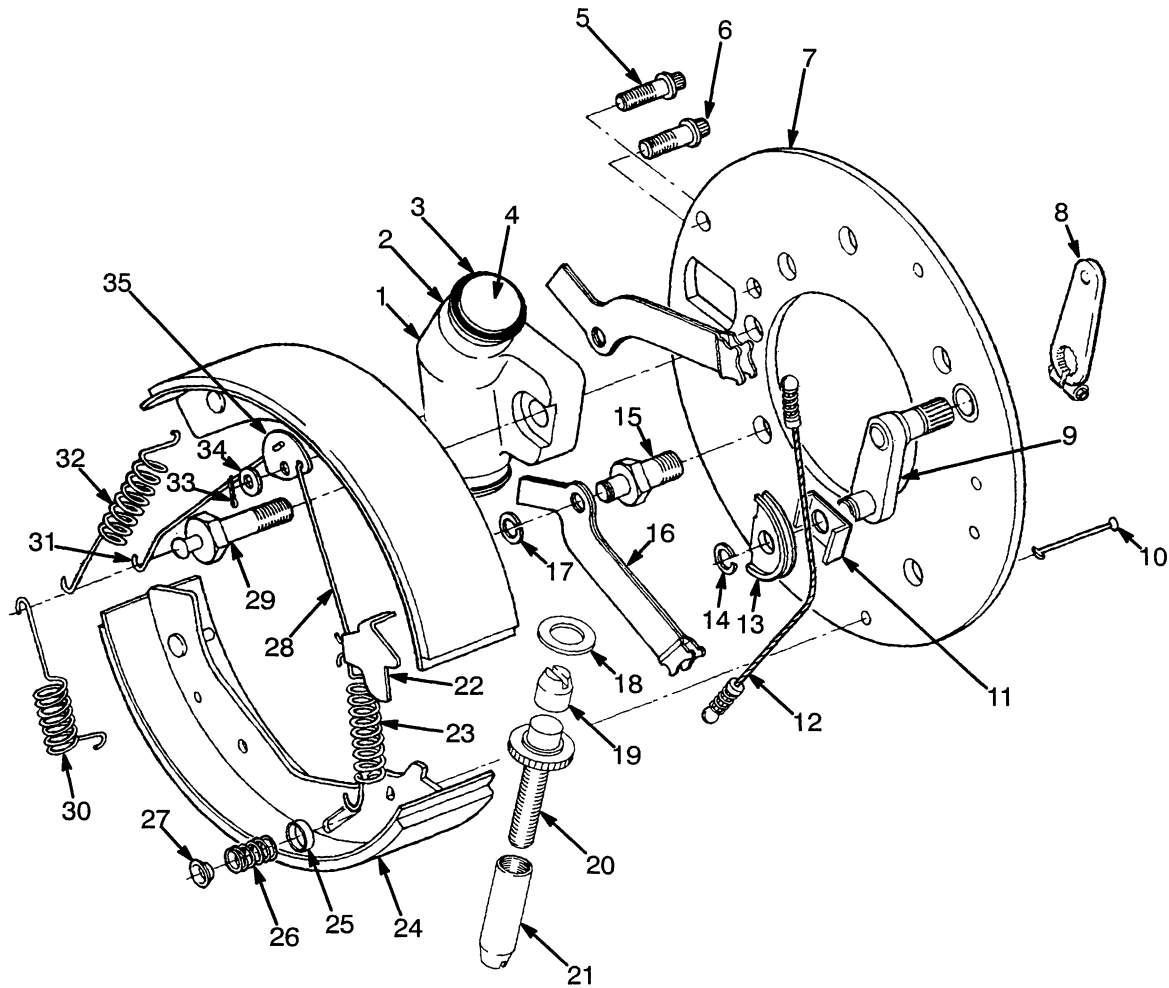
Ref	Part No.	Name Of Part	Qty	Ref	Part No.	Name Of Part	Qty
	1340002	Steering Control Unit	1	11	1355326	Shaft	1
1 a	1355322	Seal Ring	1	12 a	1355327	O-Ring	1
2	Housing	1	13	1355328	Plate	1
3 a	1384429	Seal	1	14	1375020	Kit-Gear	1
3 a	O-Ring	1	15 a	1355330	O-Ring	2
3 a	Ring	1	16	1355331	Cover	1
4	345419	Screw	1	17 a	381370	Washer	3
5	345410	Bearing	1	18	371961	Capscrew	2
6	345411	Ring	1	19 a	1355332	O-Ring	4
7	Spool	1	20	1355335	Ball	1
8	345412	Pin	1	21	1373927	Screw	4
9	Sleeve	1				
10	1303787	Kit-Spring	1	a	Included In Seal Kit 1355337		

STEERING MOTOR (Figure 25) WITH BRUSH WEAR INDICATOR FIRST USED ON DATE BREAK 12/98

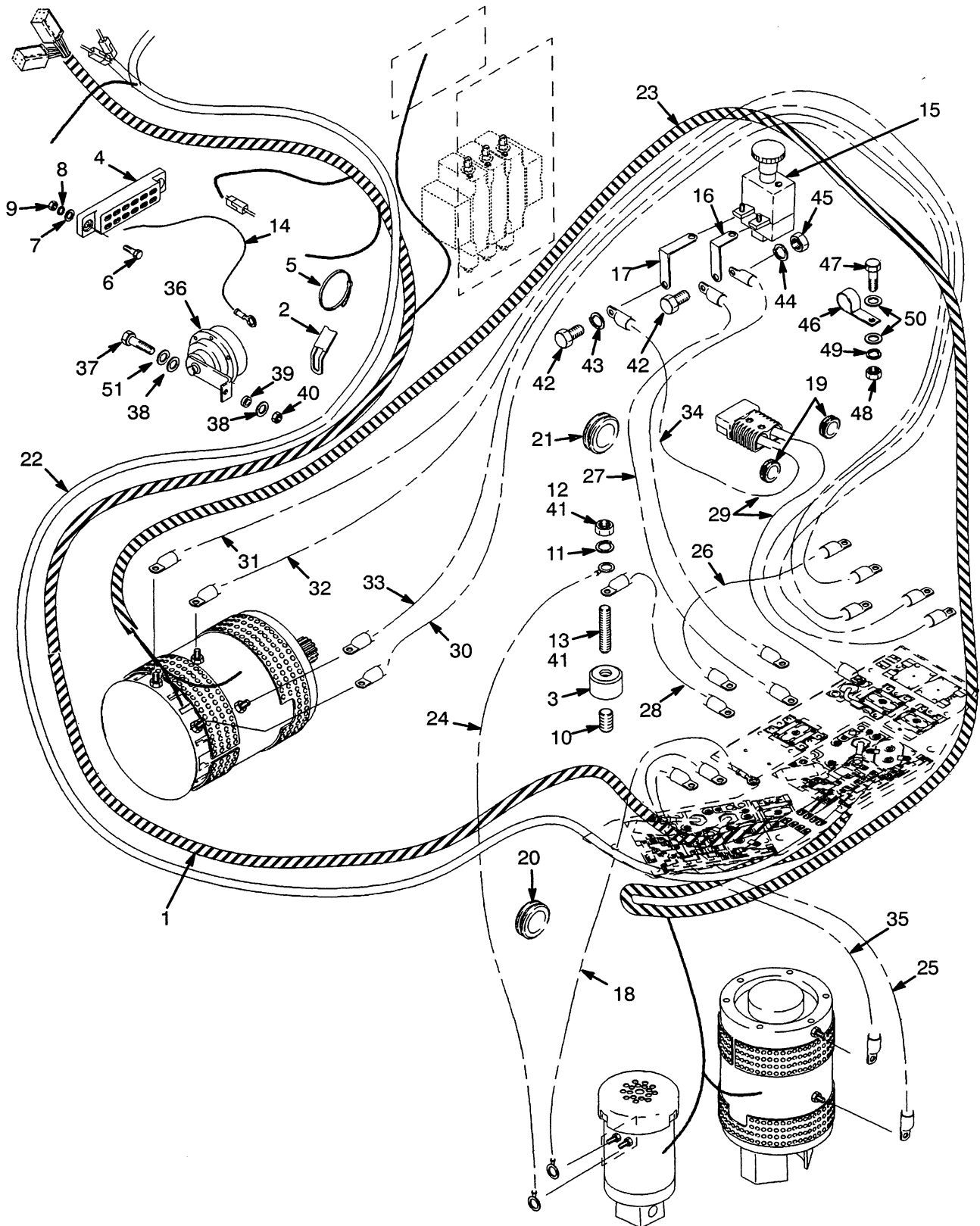


Ref	Part No.	Name Of Part	Qty	Ref	Part No.	Name Of Part	Qty
	2034300	Steering Motor	1	13	1376961	Screw	2
1	1452878	Stud	2	14	1391773	Bushing	2
2	1391760	Nut	2	15	1308875	Washer-Insulator	2
3	1452879	Shield (End)	1	16	1334933	Washer	2
4	1391762	Shim	1	17	15155	Lockwasher	2
5	1376960	Ball Bearing	1	18	1308893	Nut	4
6	1452881	Cover	1	19	1452886	Stator	1
7	1452882	Gasket	1	20	1452884	Wire Set	2
8	1450475	Screw	2	21	1452890	Connector	1
9	1452883	Brush Holder Assembly	1	22	1452887	Armature	1
9	1391769	Brush Holder	1	23	1452888	Ball Bearing	1
10	1459683	Kit-Crossover And Terminal	1	24	1452889	Shield	1
11	1459693	Kit-Brush	4	25	301181	Oil Seal	1
12	1459685	Kit-Brush Spring	4	26	3002339	Electric Motor Cleaner	AR

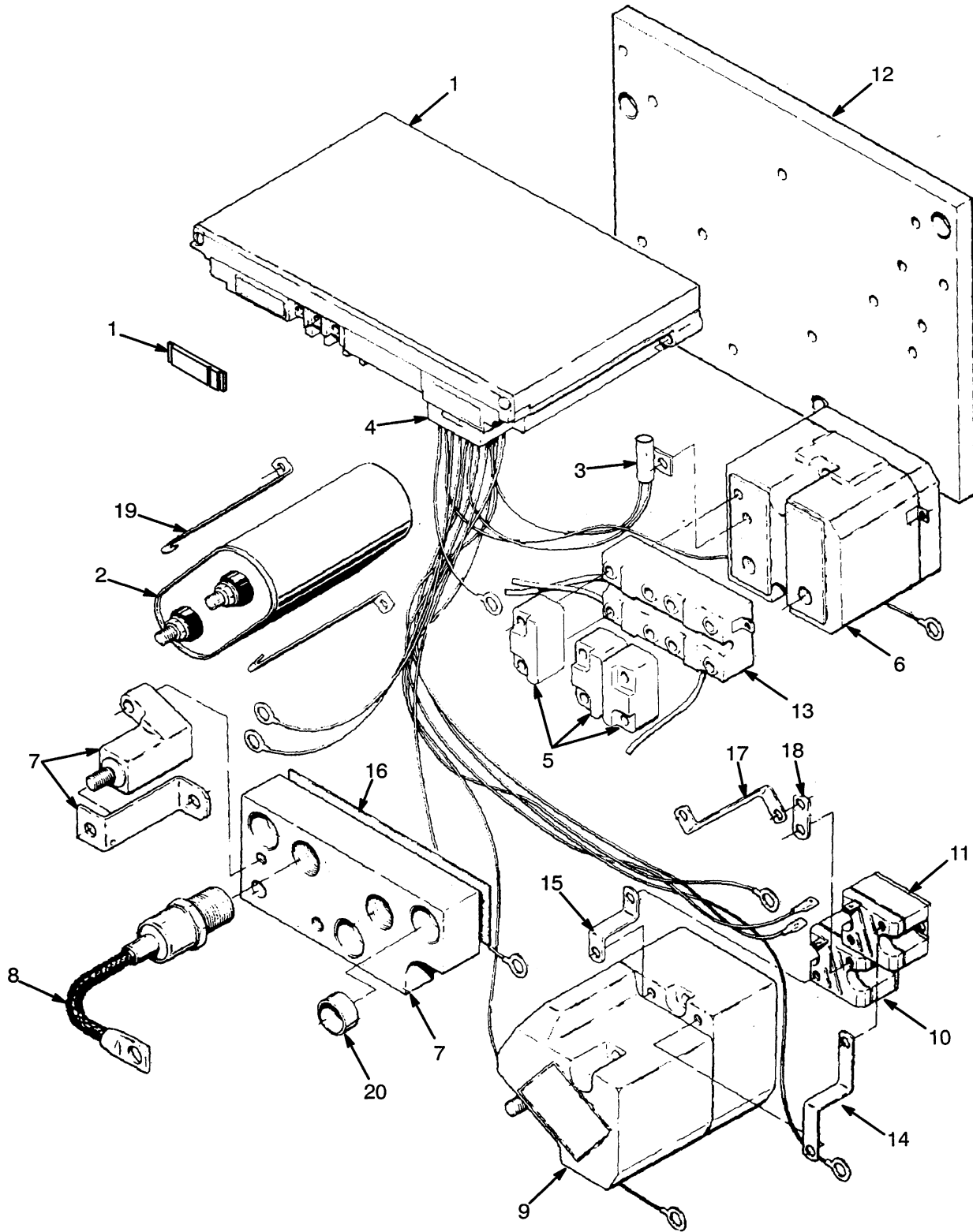
BRAKE (Figure 31)



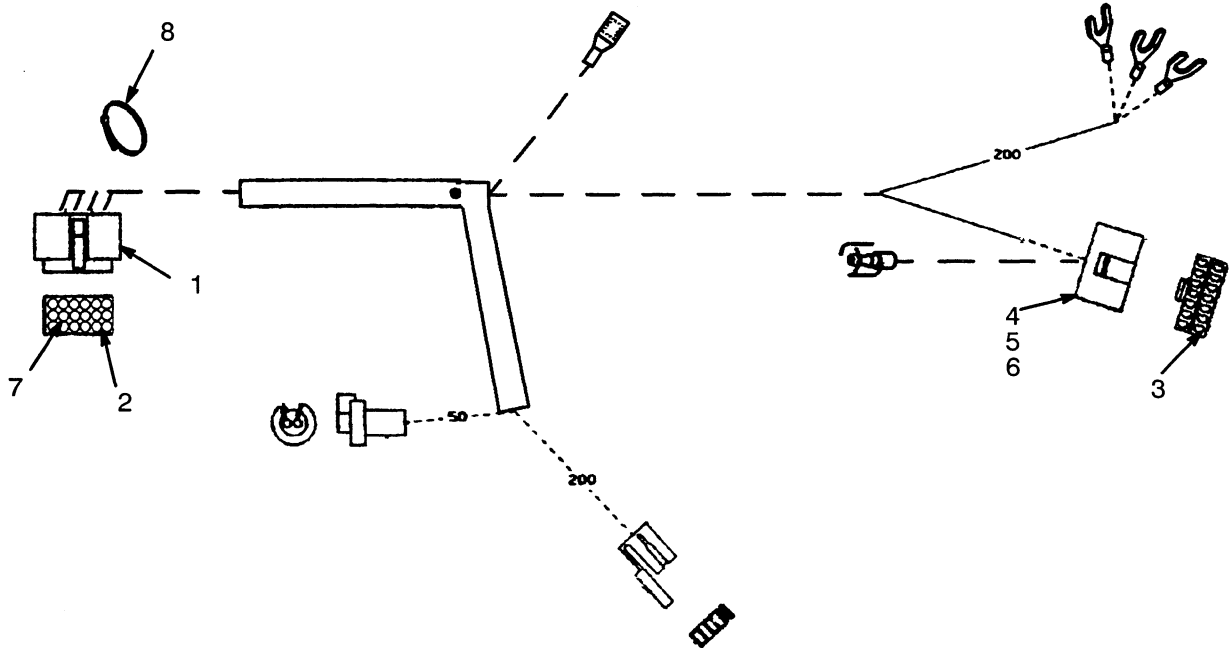
ELECTRICAL (Figure 35) SCR HYDRAULIC



PUMP PANEL (Figure 45)



WIRE HARNESS (Figure 54) INSTRUMENT CLUSTER (PREMIUM DISPLAY) WITH CONTACTOR HYDRAULICS



Ref	Part No.	Name Of Part	Qty	Ref	Part No.	Name Of Part	Qty
a	1364828	Wire Harness	1	6	1308547	Seal	6
b	1385752	Wire Harness	1	7	1340958	Pin	3
1	1340785	Connector (Instrumnet Cluster)	1	8	1352606	Tie Strap	1
2	1383537	Pin	6	a	Last Used On S/N A216A-2392		
3	1308546	Socket	8	b	First Used On S/N A216A-2393		
4	1328311	Plug (Traction SCR)	1				
5	1308653	Seal	1				

CLICK HERE TO **DOWNLOAD** THE COMPLETE MANUAL

- Thank you very much for reading the preview of the manual.
- You can download the complete manual from: www.heydownloads.com by clicking the link below



- Please note: If there is no response to CLICKING the link, please download this PDF first and then click on it.

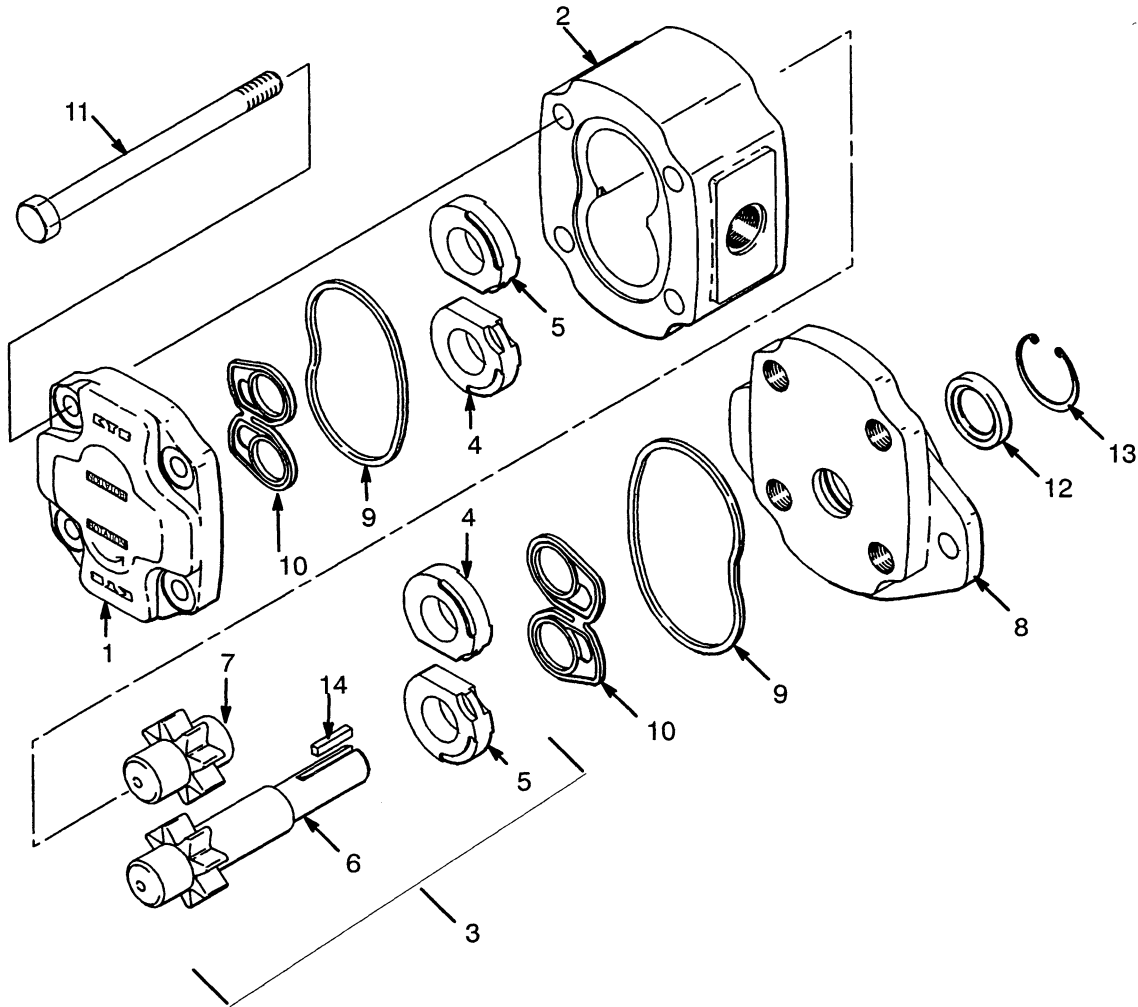
CLICK HERE TO **DOWNLOAD** THE COMPLETE MANUAL

HYDRAULIC PUMP (Figure 61)

12 cc SINGLE GEAR PUMP

IDENTIFY BY PART NUMBER

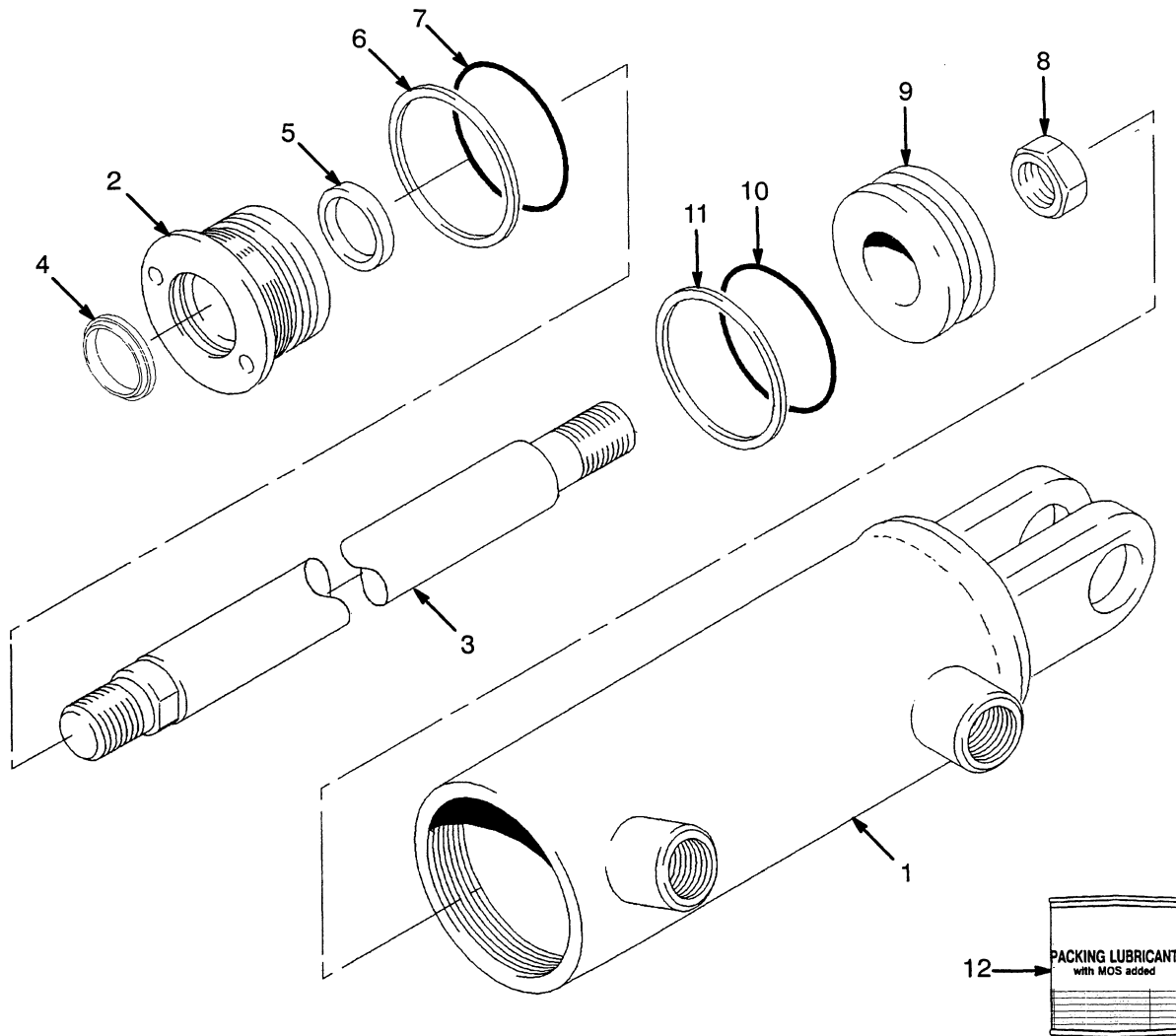
FIRST USED ON DATE BREAK 4/98



Ref	Part No.	Name Of Part	Qty	Ref	Part No.	Name Of Part	Qty
	1455066	Pump	1	9	a	Seal (Body)	2
1	1459239	Cover	1	10	a	Seal (Bushing)	2
2		Body	1	11	1459371	Bolt	4
3	1459372	Gear Set	1	12	a	Oil Seal	1
4		Bushing	2	13	a	Snap Ring	1
5		Bushing	2	14	26617	Key	1
6		Drive Gear	1				
7		Driven Gear	1				
8	1459240	Mounting Flange	1				

a Included In Seal Kit 1459238

TILT CYLINDER (Figure 69)



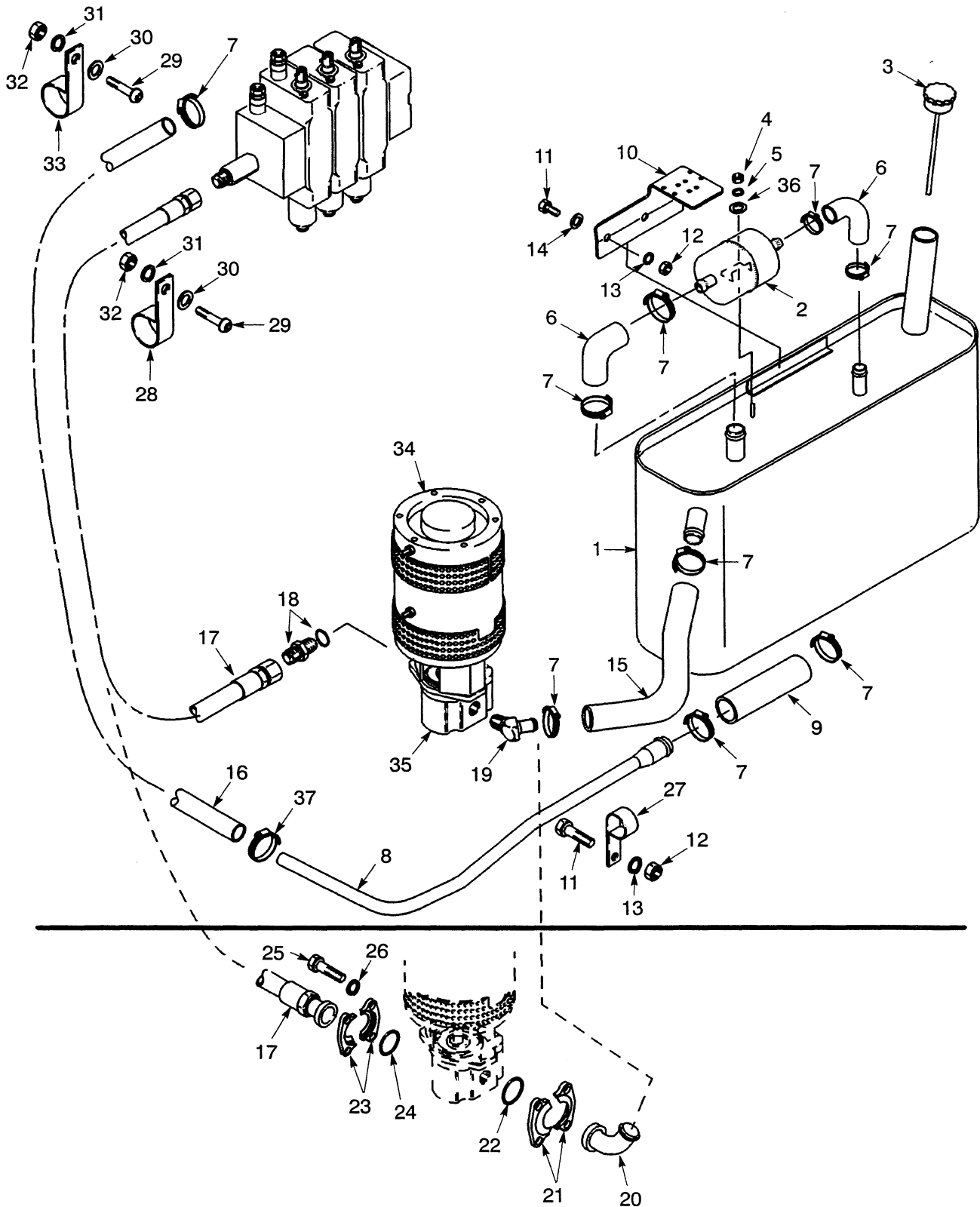
KEY

A: 5° Forward/8° Back
B: 10° Forward/5° Back

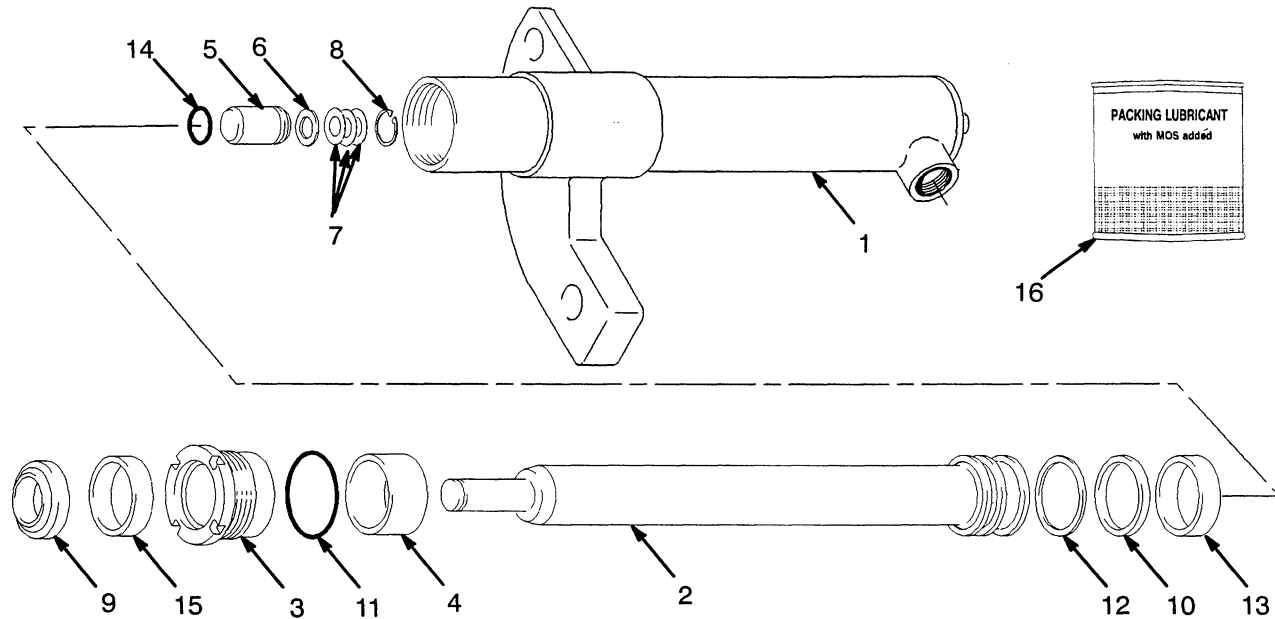
Ref	Part No.	Name Of Part	QTY		Ref	Part No.	Name Of Part	QTY	
			A	B				A	B
	1366081	Tilt Cylinder	1	..	6	^a 154375	Back-Up Ring	1	1
	1366085	Tilt Cylinder	1	7	^a 46388	O-Ring	1	1
1	1366083	Tube	1	..	8	2302899	Nut	1	1
1	1366086	Tube	1	9	1338741	Piston	1	1
2	1338744	Gland	1	1	10	^a 59583	O-Ring	1	1
3	1366082	Piston Rod	1	..	11	^a 1380882	Seal Ring	1	1
3	1338740	Piston Rod	1	12	186061	Lubricant	ARAR	
4	^a 1338739	Wiper Ring	1	1					
5	^a 637151	Seal	1	1					

^a Included In Seal Kit 1356746

HYDRAULIC TANK (Figure 74)



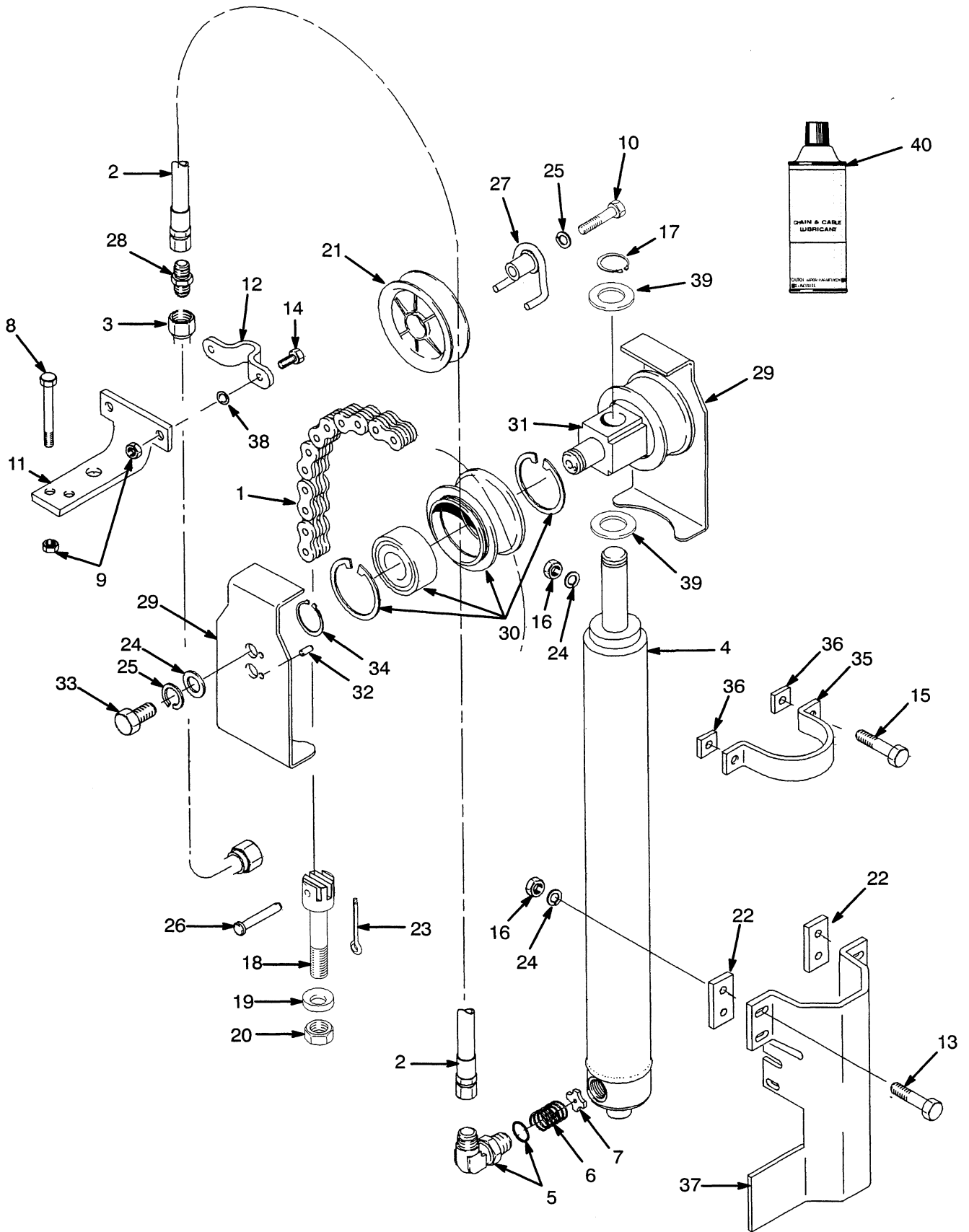
CYLINDER (J40-50XM) (Figure 78) TWO-STAGE LIMITED FREE-LIFT MAST



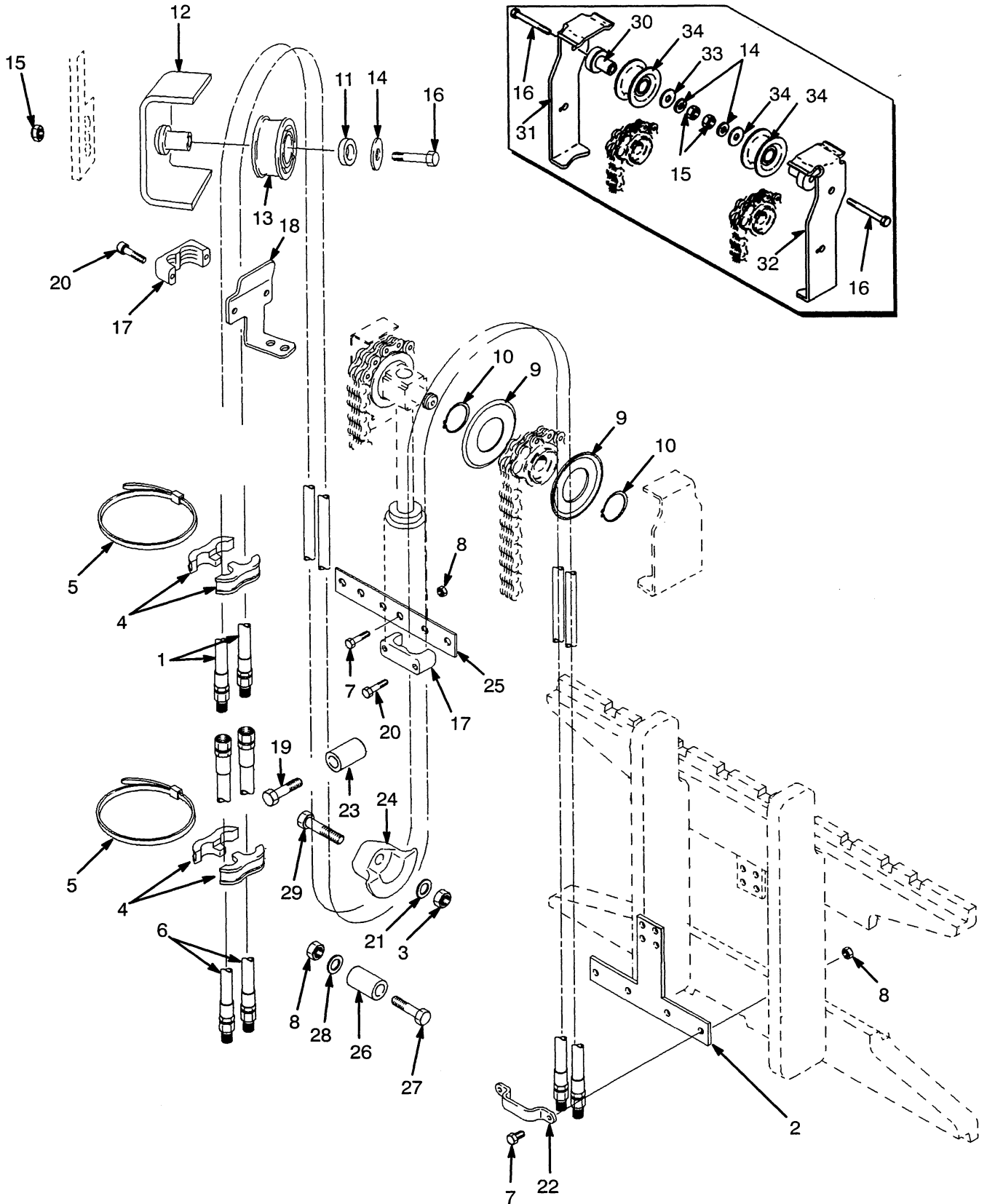
REF NO	NAME OF PART	LIFT HEIGHT TO BOTTOM OF FORKS				
		117.8 in	129.6 in	149.3 in	169.0 in	188.7 in
		PART NO.				
	Group # Cylinder, RH	8600056 1341395	8600059 1341398	8600064 1341403	8600070 1341408	8600151 1341413
1	Shell	1355148	1355160	1355180	1355200	1355222
2	Rod	1355146	1355158	1355178	1355199	1355217
	Group # Cylinder, LH	8600006 1341432	8600009 1341435	8600014 1341440	8600020 1341445	8600101 1341450
1	Shell	1355145	1355157	1355177	1355198	1355219
2	Rod	1355146	1355158	1355178	1355199	1355217

Ref	Part No.	Name Of Part	Qty	Ref	Part No.	Name Of Part	Qty
a		Cylinder	1	10	ef 2013075	Seal	1
1	a	Shell	1	11	ef 92861	O-Ring	1
2	a	Rod	1	12	ef 638246	Back-Up Ring	1
3	b	1355127 Retainer	1	13	ef 1356750	Wear Ring	1
3	c	1355220 Retainer	1	14	ef 265787	O-Ring	1
4	d	1355189 Spacer	1	15	be 1356749	Rod Seal	1
4	c	1355221 Spacer	1	15	cf 1356752	Rod Seal	1
5		297530 Check Valve	1	16	186061	Packing Lubricant	AR
6		297531 Washer	1				
7		386682 Shim (0.020 in)	AR	a		Table	
7		386683 Shim (0.007 in)	AR	b		For Lift Heights Below 4792 mm (188.7 in)	
7		386684 Shim (0.005 in)	AR	c		For 4792 mm (188.7 in) Lift Height	
8		187388 Snap Ring	1	d		For 4292 mm (169.0 in) Lift Height	
9	be	1319668 Wiper	1	e		Included In Seal Kit 1355276	
9	cf	1310370 Wiper	1	f		Included In Seal Kit 1355277	

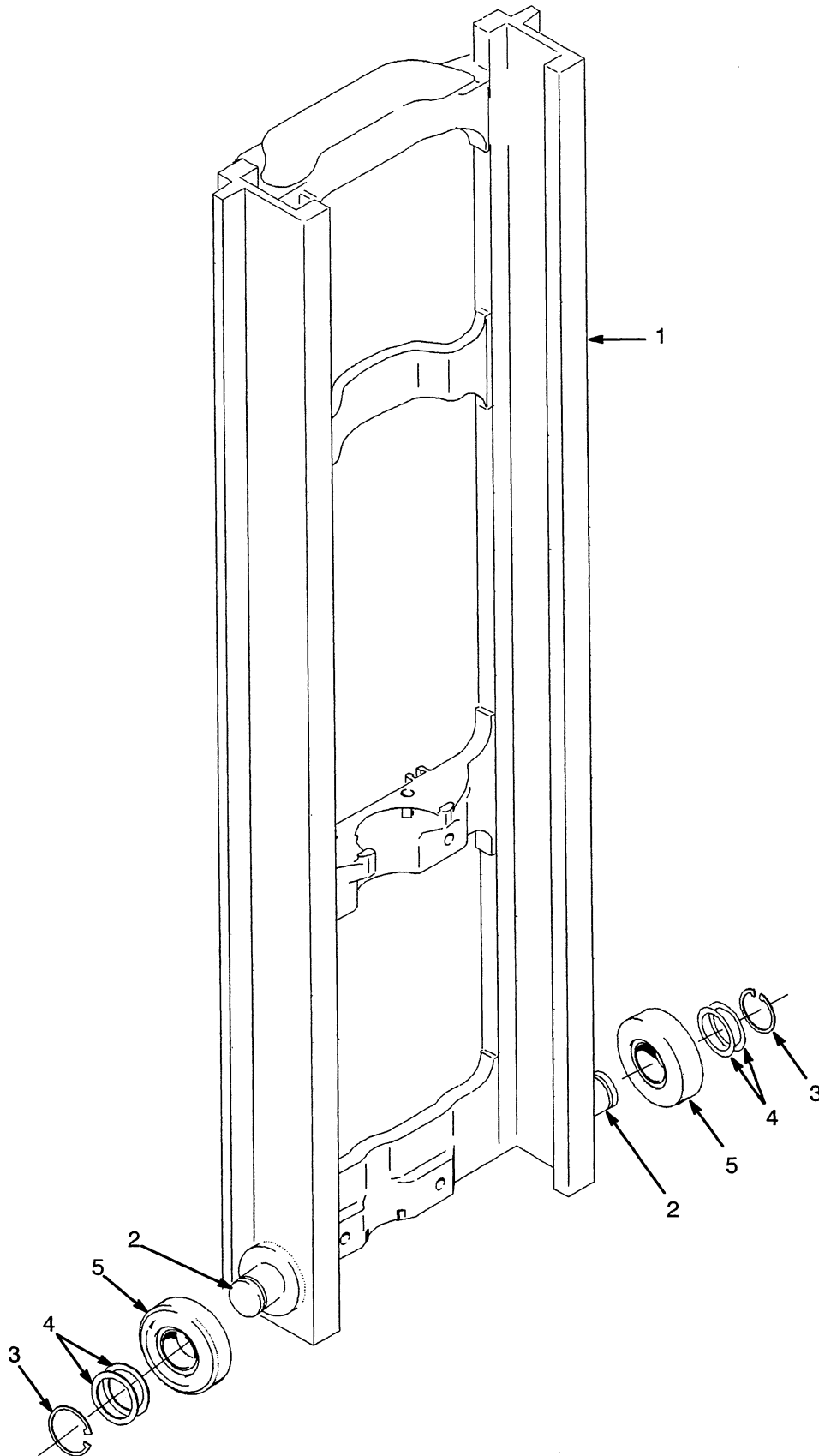
FREE LIFT (Figure 90) THREE-STAGE FULL FREE-LIFT MAST



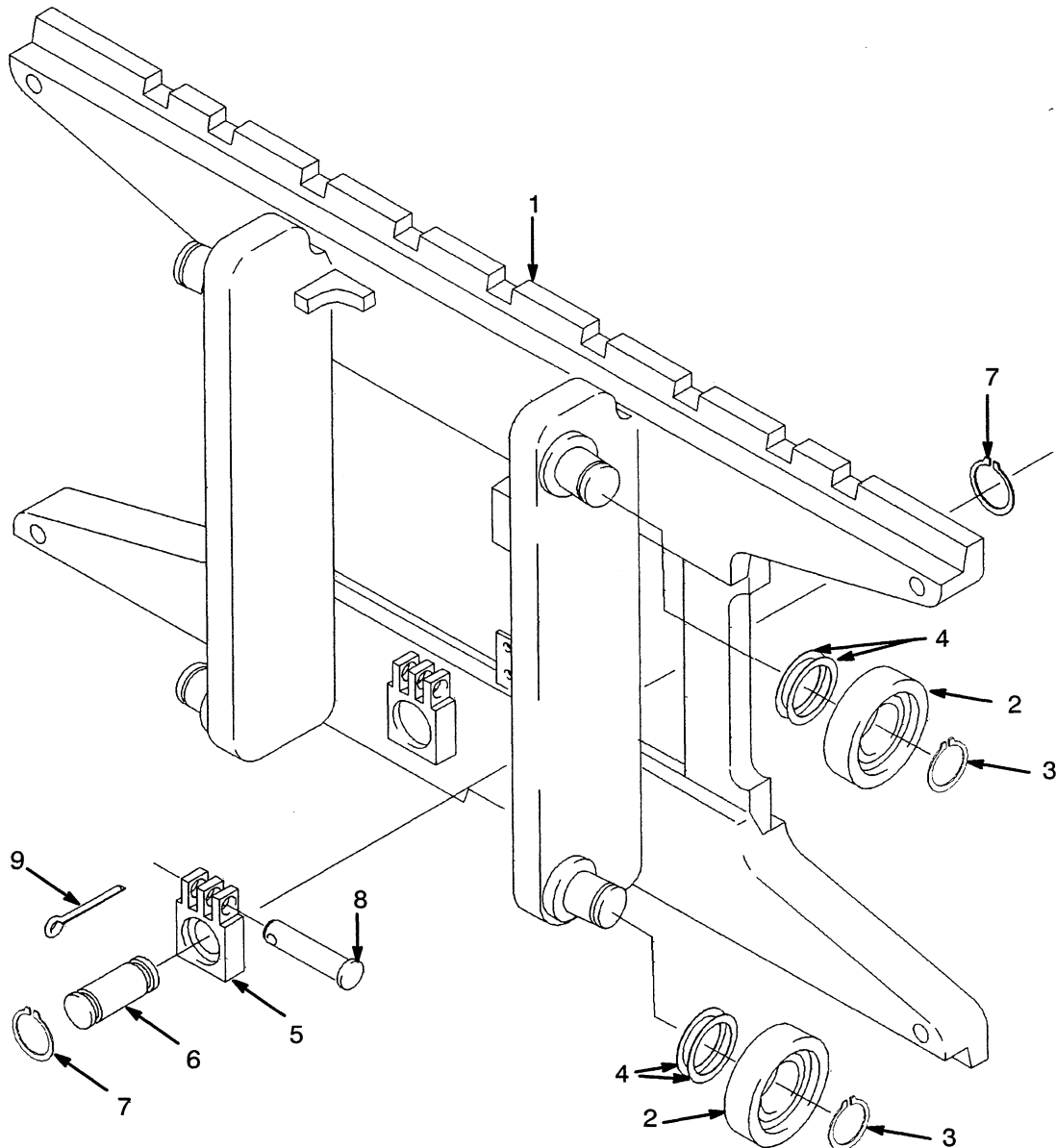
HEADER HOSE (Figure 96) THREE-STAGE FULL FREE-LIFT MAST



INNER MAST (Figure 99) TWO-STAGE FULL FREE-LIFT MAST



CARRIAGE (FOUR ROLLER) (Figure 105) TWO-STAGE FULL FREE-LIFT MAST

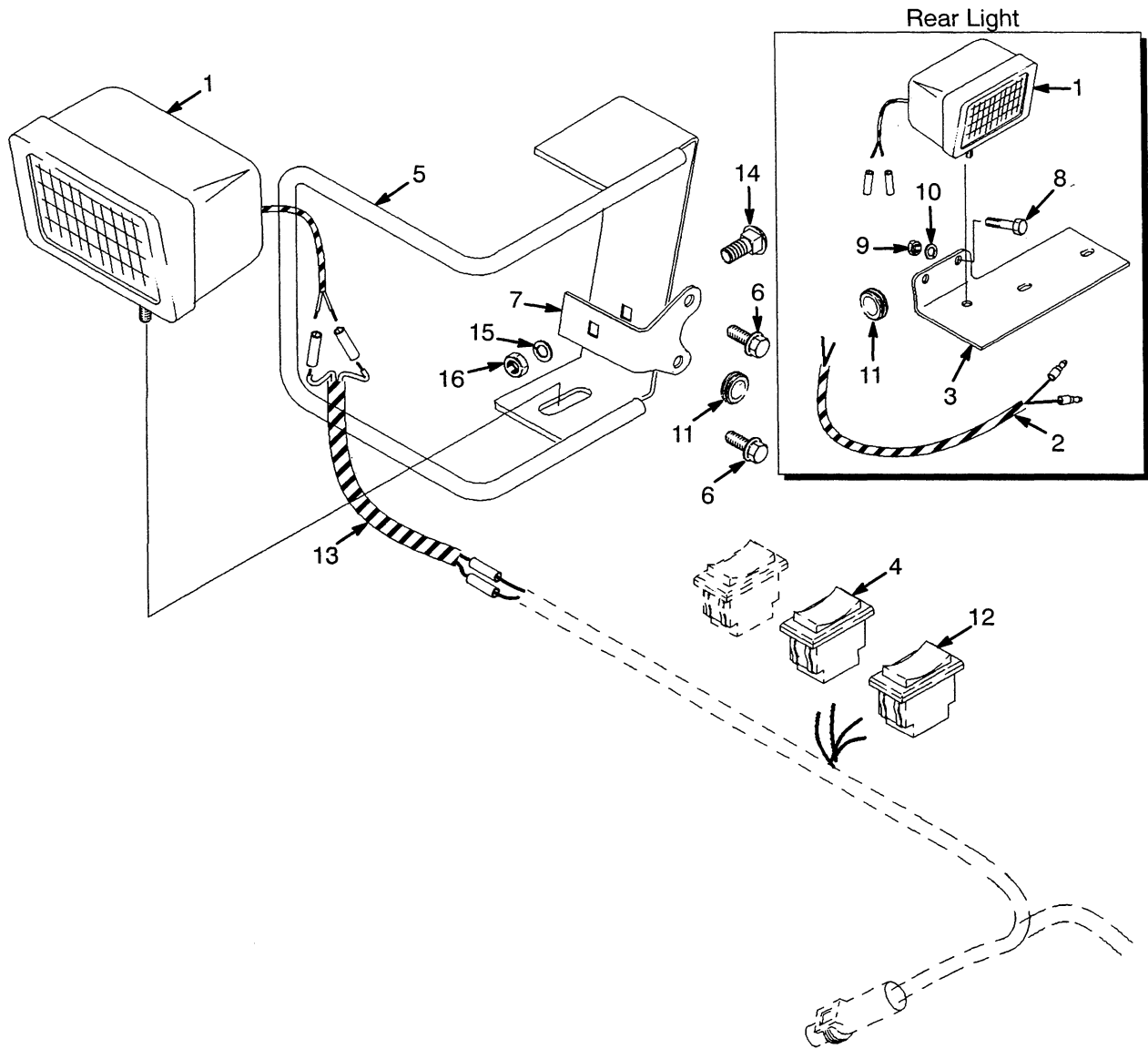


KEY
A: J40-50XM
B: J60-65XM

Ref	Part No.	Name Of Part	QTY		Ref	Part No.	Name Of Part	QTY		
			A	B				A	B	
	1371664	Carriage Assembly	1	..	5	1369344	Chain Anchor	2	
	1371665	Carriage Assembly	1	6	317735	Pin	2	2	
1	1359327	Carriage	1	..	7	131358	Snap Ring	4	4	
1	1359328	Carriage	1	8	323161	Pin	2	2	
2	a	1345218	Load Roller	4	4	9	15200	Cotter Pin	2	2
2	b	1395172	Load Roller	4	4					
3		12891	Snap Ring	4	4					
4		1345263	Shim (0.020 in)	AR	AR					
5		1369345	Chain Anchor	2	..					

a Last Used On Date Break 11/98
b First Used On Date Break 11/98

DRIVE AND REAR LIGHTS (Figure 116)



Ref	Part No.	Name Of Part	Qty
1	a	1340842 Head Light (36 Volt)	3
1	a	1340843 Head Light (48 Volt)	3
1	b	1354119 Head Light (12 Volt)	3
1		1363016 Lens	1
1	a	1376431 Bulb (36 Volt)	1
1	a	1376432 Bulb (48 Volt)	1
1	b	1379799 Bulb (12 Volt)	1
2		1364589 Light Harness	1
3		1364285 Plate	1
4		1382303 Switch (Rear Light)	1
5		1375172 Bracket, LH	1
5		1375171 Bracket, RH	1
6		316678 Screw	4
7		878185 Plate	2

Ref	Part No.	Name Of Part	Qty
8		136749 Capscrew	2
9		239503 Nut	2
10		292681 Washer	2
11		1367645 Grommet	4
12		1382302 Switch (Drive Light)	1
13		1377398 Headlight Harness	2
14		1375168 Bolt	2
15		296418 Washer	2
16		316835 Nut	2

- a Last Used On S/N A216A-2310, Including 4173,4174
- b First Used On S/N A216A-2311, Except 4173, 4174

NUMERICAL INDEX

PART NO	REF PAGE NO	PART NO	REF PAGE NO	PART NO	REF PAGE NO	PART NO	REF PAGE NO	PART NO	REF PAGE NO
	33 10		162 6		186 3		179 27		184 6
	37 23		187 6	296431	199 8	302462	131 9		185 7
	37 41	293659	139 10	296435	199 8		149 9	320153	83 31
	52 24		162 10	296472	33 17	302977	49 15	320155	33 20
	57 6		187 10	297530	134 5	304526	155 34		83 32
	58 22	293686	49 2		135 5		179 30	320156	119 29
	65 43	293704	199 7	297531	134 6	305326	49 16		119 29
	67 44	293795	109 18		135 6	305769	25 22		17 22
	75 25		166 20		157 6	308117	139 2		17 22
	77 25	293796	190 12		159 6		162 2		209 5
	83 38	293797	109 16		183 6		187 2		69 11
	9 14	294643	200 6	297649	133 23	309062	159 15		75 16
292682	102 6	295649	180 10		153 4		183 15		77 16
	103 7		181 10		155 19	309169	125 9		83 33
	117 16	296001	190 5		179 19	310436	58 4		90 5
	119 49	296010	33 11	300088	17 31		59 3	320157	101 9
	125 26	296128	109 1	300751	49 3	313805	119 4		102 19
	14 13		14 15	300752	49 13		141 15		117 18
	17 5		9 24	300765	49 32		17 39		119 21
	17 5	296136	9 28	300766	49 11	313828	133 26		11 14
	25 12	296157	119 57	300767	49 6		141 5		11 14
	25 5	296159	119 3	300937	12 6		153 24		133 14
	52 3		11 6		133 12		155 9		153 18
	58 10		11 6		138 4		166 8		177 10
	75 7	296160	119 18		14 7		177 12		17 8
	77 7	296161	119 18		153 17		17 38		17 8
	9 8	296165	11 5		155 16		190 9		205 9
292683	12 3	296166	11 11		161 4		199 10		37 42
	139 7		11 5		177 9		205 8		52 23
	141 10		58 21		179 18		65 40		57 46
	155 25	296167	11 26		186 4		67 40		58 23
	162 7	296168	17 17		190 31	314878	206 1		65 44
	179 29		57 55		49 28	316306	133 17		67 45
	187 7	296174	117 24	300982	139 4		153 22		75 24
	25 18		17 17		162 4		177 18		77 24
	75 14	296176	117 13		187 4	316678	203 17		83 34
	77 14	296205	70 6	301181	43 26		204 6	320158	102 3
292685	57 38	296227	9 29		44 25		209 3		11 29
292687	14 4	296321	109 5		45 24		57 50		125 14
293601	69 9	296359	119 58		46 23		9 20		166 28
	83 28	296377	75 33	302020	75 36	316826	166 3		206 4
293612	83 29	296418	204 15		77 34		179 5		207 4
293615	57 41	296419	109 2	302021	75 34	316828	52 7		37 22
293617	102 5		11 24	302032	83 27		57 32		57 49
293619	57 40	296420	17 19	302060	119 16	316835	204 16	320159	179 8
293631	119 48		52 14	302220	12 8	316844	7 20		17 4
293632	27 38	296421	9 15	302232	65 6	317075	49 38		17 4
293646	25 17	296422	133 10		67 6	317076	49 35		25 6
293647	12 5		153 15	302344	29 32	317594	102 4		57 34
293648	49 30		177 7	302398	70 7		117 12		58 9
293649	12 4	296423	138 3	302400	33 12		37 19		75 6
293650	139 6		161 3	302461	155 32	317735	160 7		77 6

CLICK HERE TO **DOWNLOAD** THE COMPLETE MANUAL

- Thank you very much for reading the preview of the manual.
- You can download the complete manual from: www.heydownloads.com by clicking the link below



- Please note: If there is no response to CLICKING the link, please download this PDF first and then click on it.

CLICK HERE TO **DOWNLOAD** THE COMPLETE MANUAL