

PARTS MANUAL

CHALLENGER

**H36.00-40.00-44.00C,
H48.00CH**

(H800-880-970C, 1050CH)

(C117)

CUSTOMER EDITION

HYSTER

CLICK HERE TO **DOWNLOAD** THE COMPLETE MANUAL

- Thank you very much for reading the preview of the manual.
- You can download the complete manual from: www.heydownloads.com by clicking the link below



- Please note: If there is no response to CLICKING the link, please download this PDF first and then click on it.

CLICK HERE TO **DOWNLOAD** THE COMPLETE MANUAL

TABLE OF CONTENTS

<u>DESCRIPTION</u>	<u>PAGE NO.</u>
P (Continued)	
Pump Drive	Page 139
R	
Relief Valve Attaching Parts First Used On S/N C117E-1701	Page 280
Relief Valve Attaching Parts Used On S/N C117E-1665 ⇒ C117E-1700	Page 278
Relief Valve Extendable Attachment	Page 383
Relief Valve First Used On S/N C117E-1587	Page 308
Relief Valve Last Used On S/N C117E-1664	Page 307
Relief Valve Sideshift Cylinder Extendable Attachment With Dedicated Carriage	Page 387
Relief Valve Slewing Cylinder	Page 386
Relief Valve Twist Locks And Extendable Attachment Cylinders	Page 384
Return Manifold First Used On S/N C117E-1665	Page 262
Reverse Gear	Page 144
S	
Seat	Page 20
Sequence And Shuttle Valve Attaching Parts	Page 300
Sequence Valve First Used On S/N C117E-1662	Page 311
Sequence Valve Used On S/N C117E-1642 ⇒ C117E-1661	Page 309
Service Brake	Page 178
Shuttle Valve First Used On S/N C117E-1587	Page 210
Sideshift Carriage 1 Of 2	Page 398

PUBLICATIONS

(Figure 2)

Every new lift truck is provided with at least three publications. These publications are the PARTS MANUAL, the OPERATING MANUAL, and the section of the SERVICE MANUAL called Periodic Maintenance.

The OPERATING MANUAL must always be available on every lift truck. This manual has information that the operator must know for inspection and operation of the lift truck. The section Periodic Maintenance

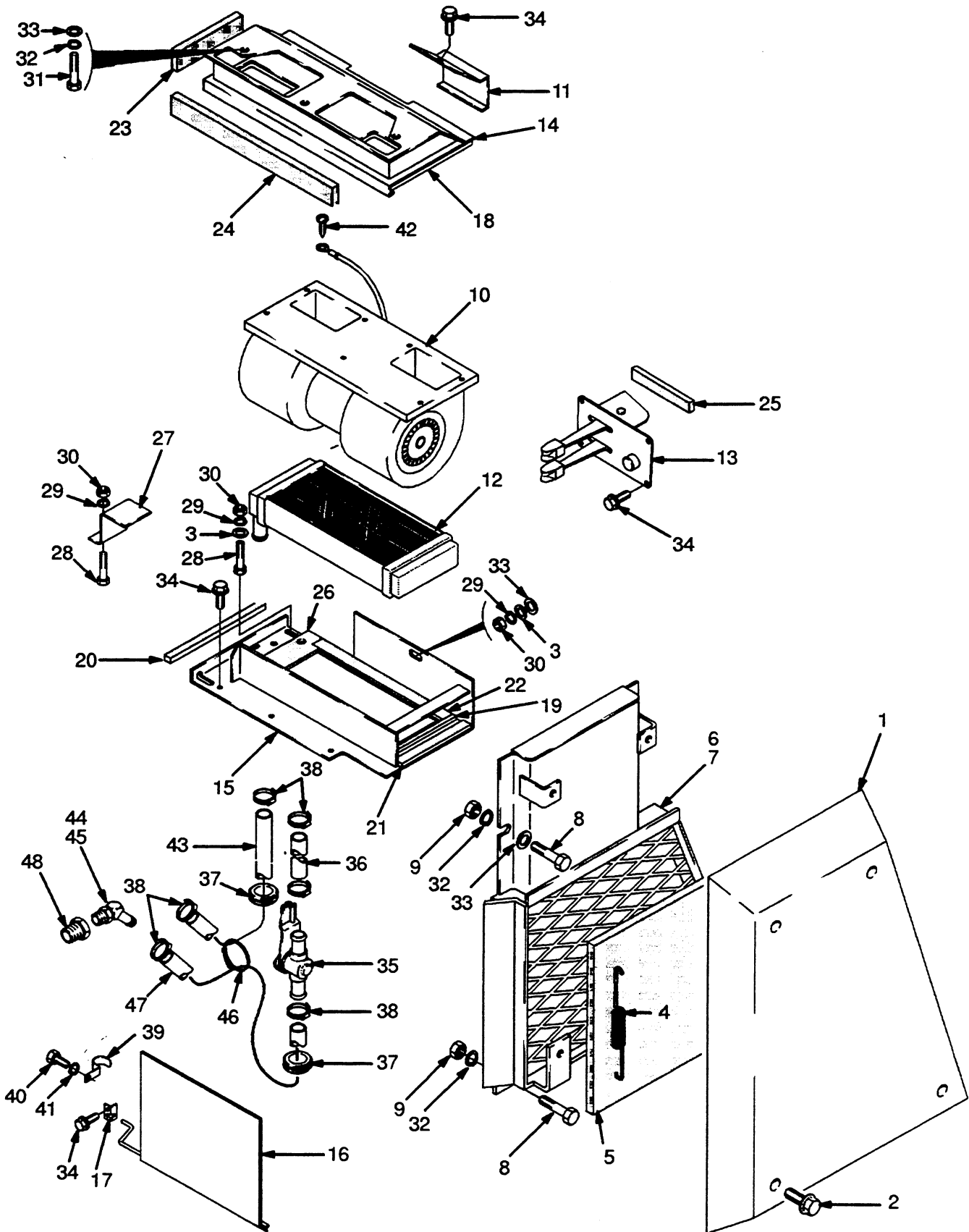
has a recommended schedule of service intervals and the procedures for servicing the lift truck.

These manuals, other publications and programs are available from your Dealer for Hyster Lift Trucks to help you operate and maintain your lift truck professionally. See the list that follows for reference to items for lift trucks in this PARTS MANUAL.

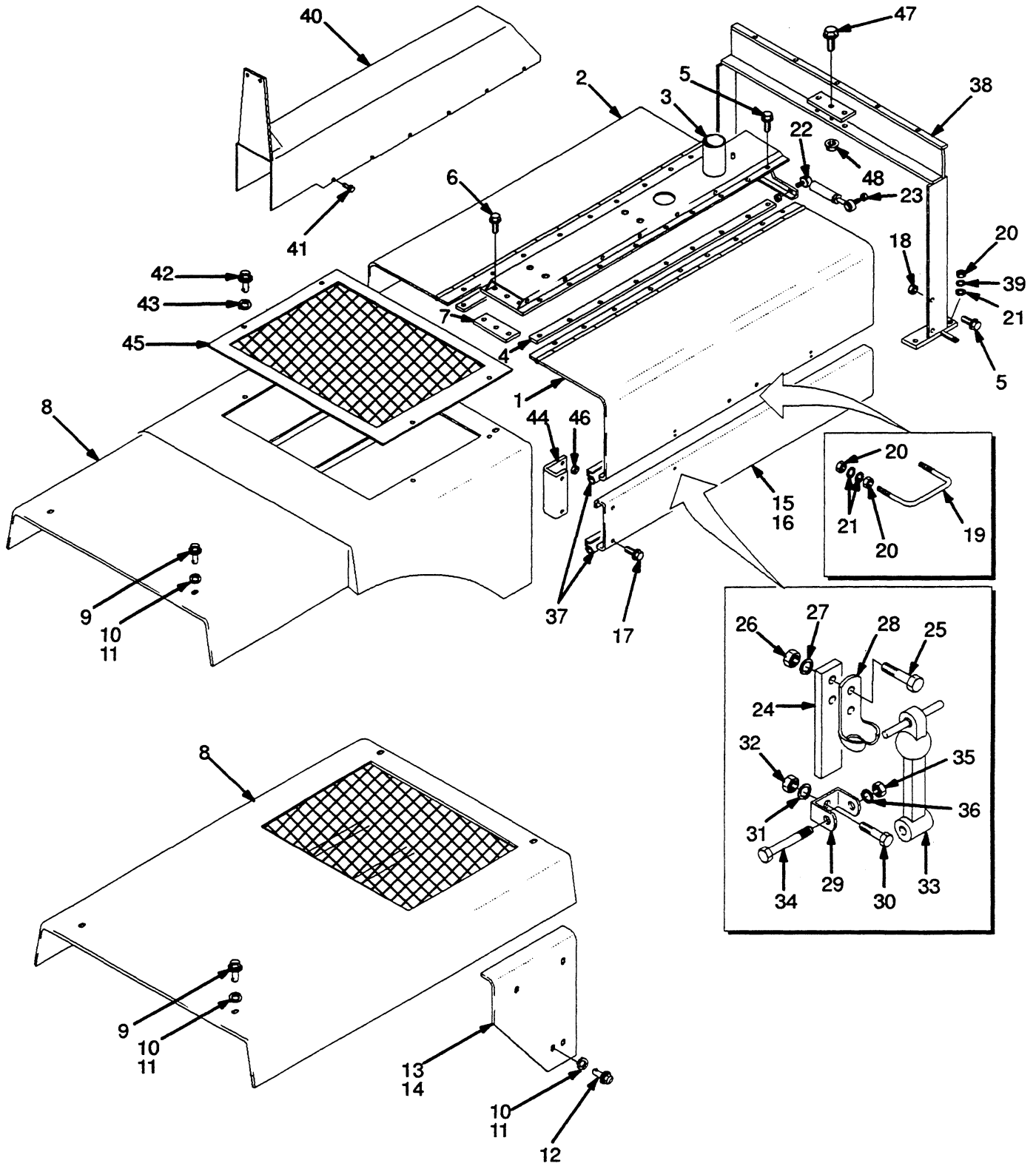
PUBLICATIONS	HYSTER PART NUMBER
Operating Manual	
English (U.S.)	897400
English (British)	897362
French	857050
German	857056
Spanish	857063
Dutch	857064
Italian	857069
Service Manual (complete)	
Europe (English)	857098
U.S.	897399
The Frame (100 SRM 428)	897365
The Perkins 2006 Engine (600 SRM 427)	897363
The Three-Speed Powershift Transmission - Description and Operation (1300 SRM 391)	897260
Repairs (1300 SRM 392)	897261
The Differential (1400 SRM 46)	910072
The Planetary Gear Axle (1400 SRM 47)	910030
The Steering System (1600 SRM 429)	897367
The Steering Axle (1600 SRM 71)	910031
The Brake System (1800 SRM 425)	897359
The Hydraulic Brake System (1800 SRM 472)	897433
The Hydraulic System (1900 SRM 430)	897369
The Hydraulic System (1900 SRM 471)	897432
Hydraulic Gear Pumps (1900 SRM 97)	910091
The Tilt Control Valve (2100 SRM 102)	910101
The Tilt Cylinders (2100 SRM 103)	910102
The Electrical System (2200 SRM 431)	897370
Electrical Gauges, Meters and Senders (2200 SRM 143)	910110
Electrical Warning Devices (2200 SRM 144)	910111
The Upright (4000 SRM 432)	897371
The Fixed Container Attachment (5000 SRM 266)	910466
The Extendable Container Attachment (5000 SRM 265)	910457
Periodic Maintenance (8000 SRM 426)	897361
Capacities and Specifications (8000 SRM 434)	897375
Diagrams (8000 SRM 435)	897376
Inch (SAE) and Metric Fasteners (8000 SRM 231)	910442
Parts Manual	852498

(Continued On Next Page)

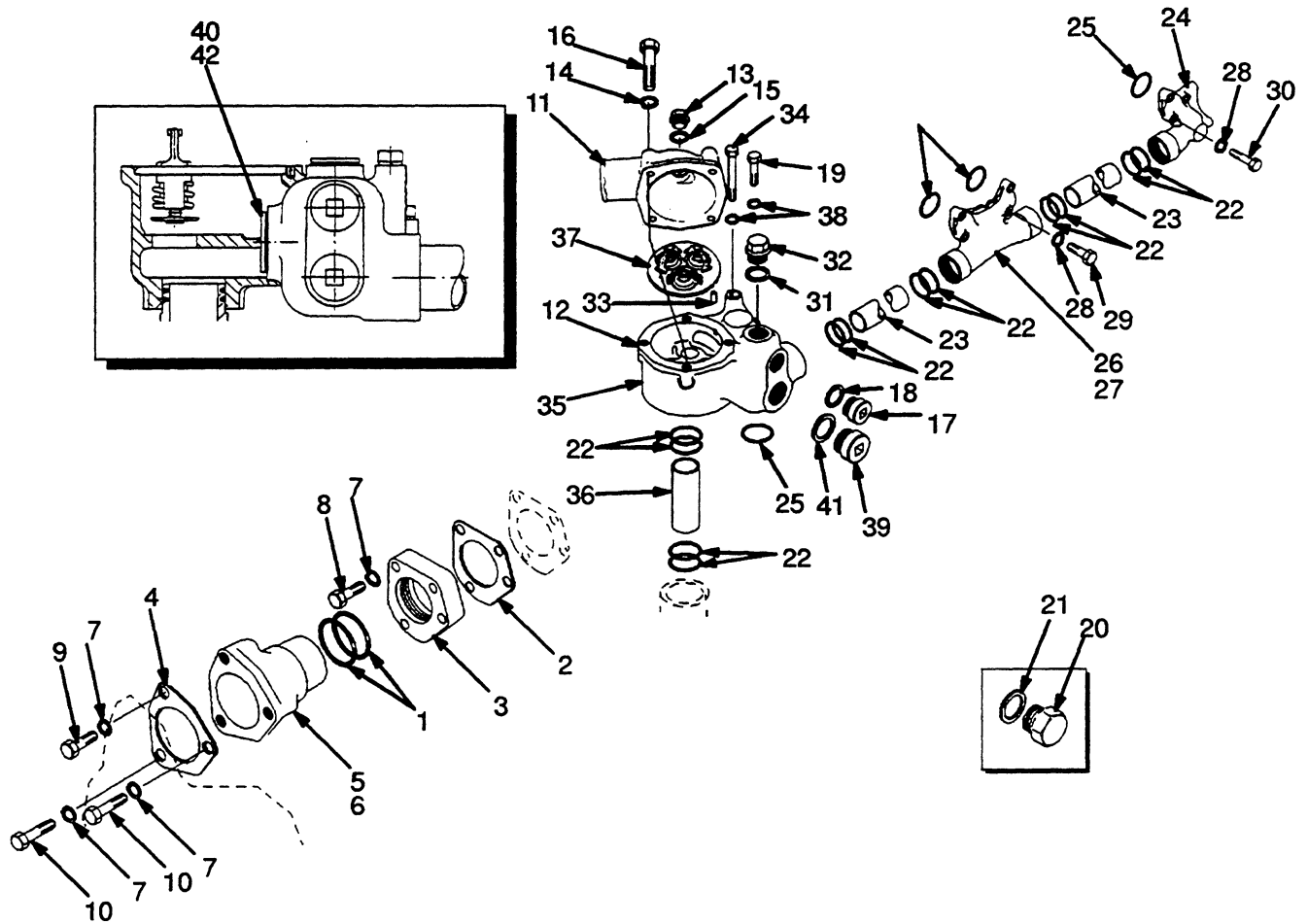
HEATER (Figure 6)



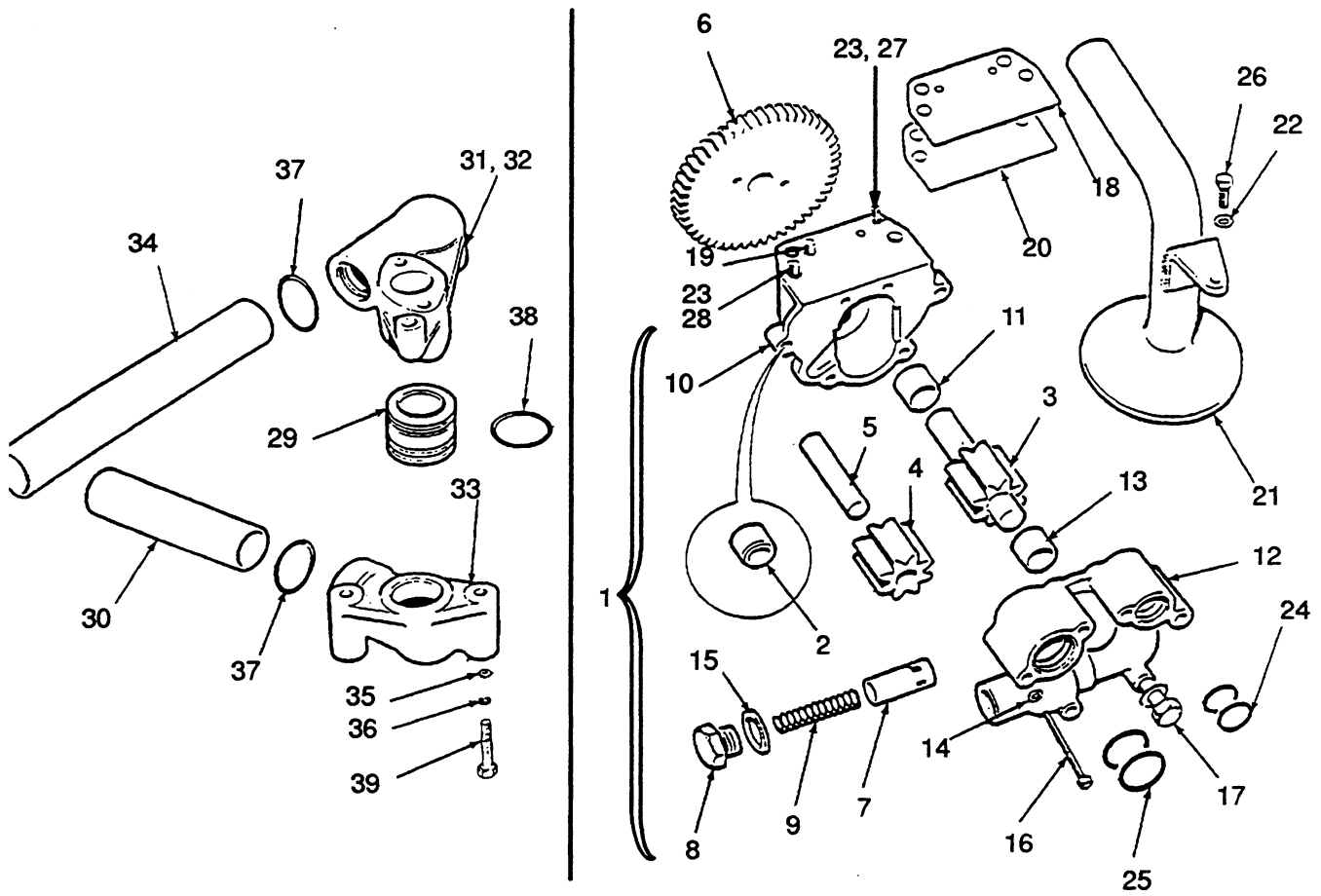
HOOD (Figure 12)



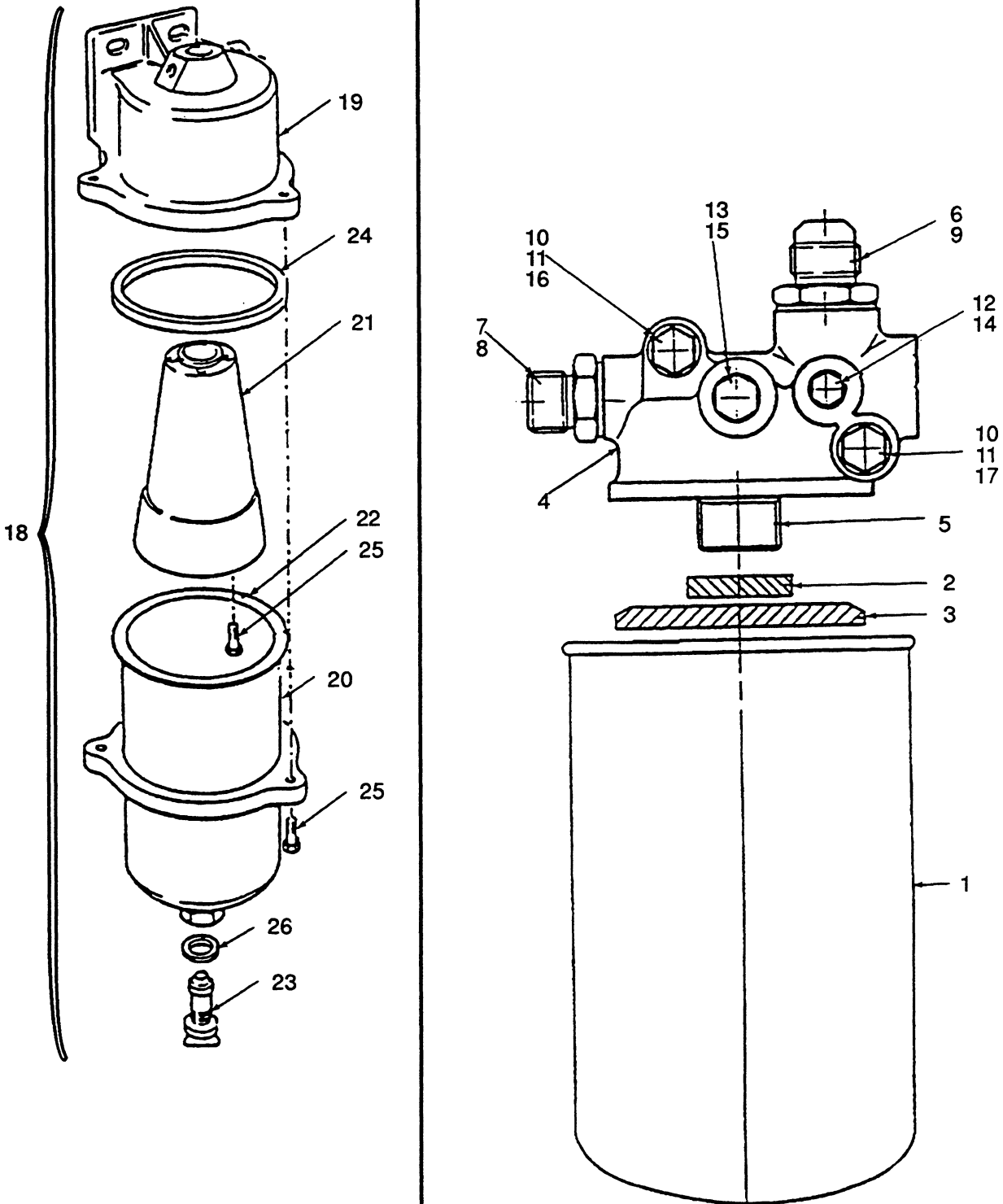
THERMOSTAT (Figure 26)



OIL PUMP LAST USED ON S/N C117E-1646 (Figure 31)



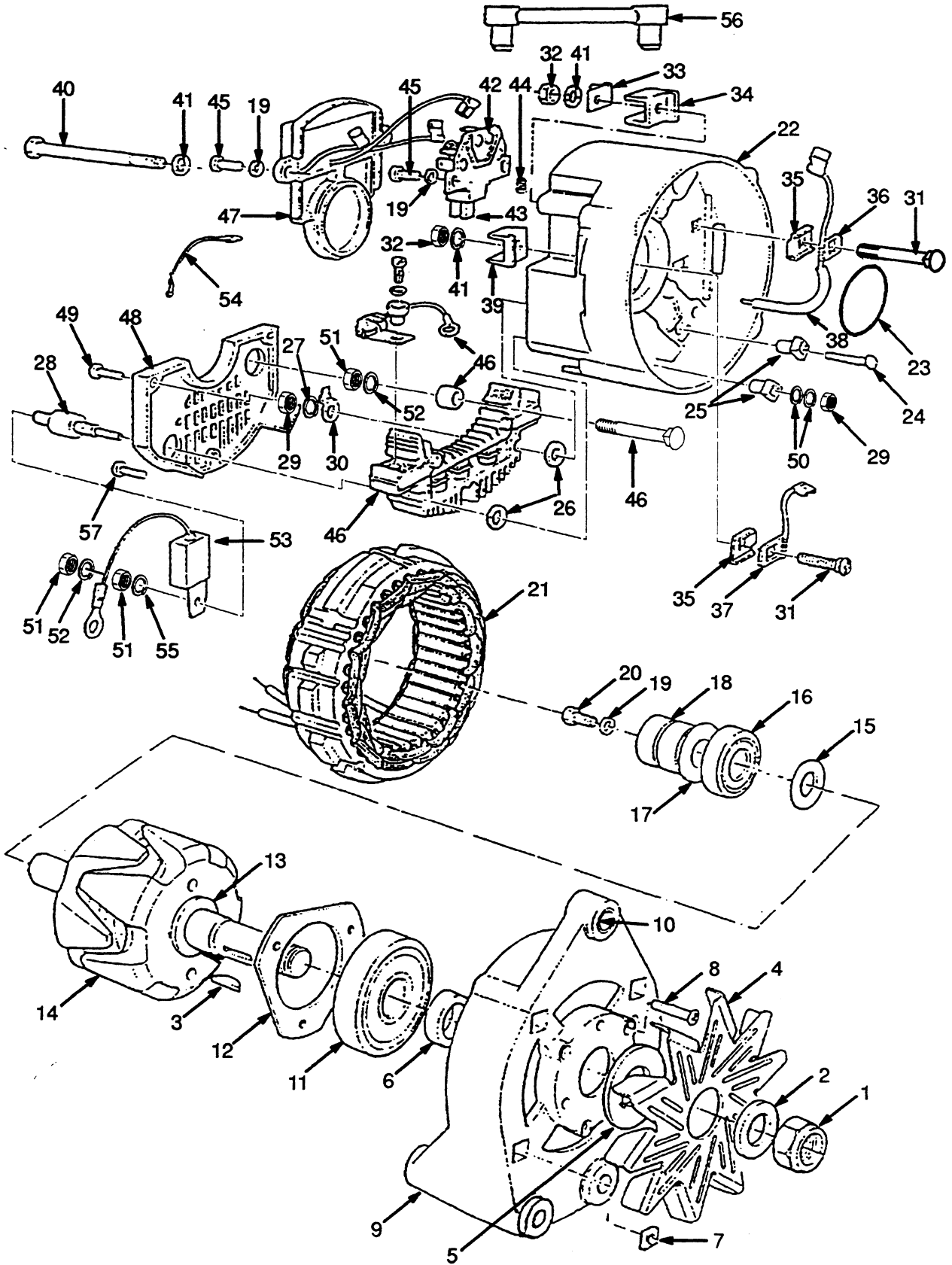
FUEL FILTER (Figure 42)



ELECTRICAL (Figure 45 Continued)


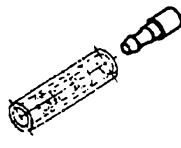
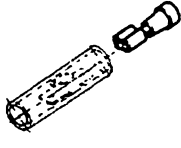


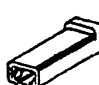

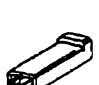

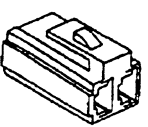
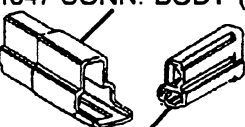
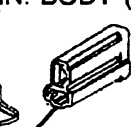
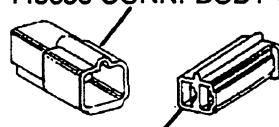
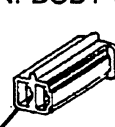


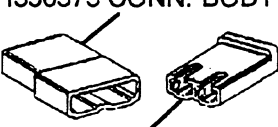
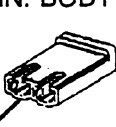
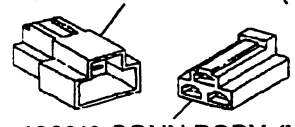
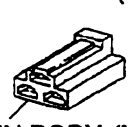
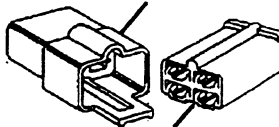
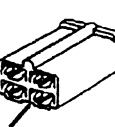
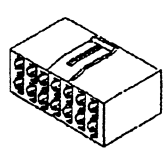
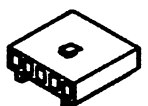
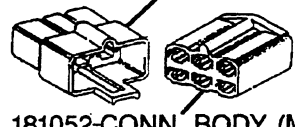
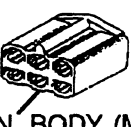
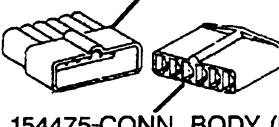

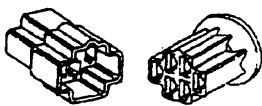

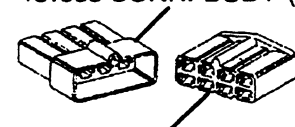
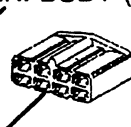
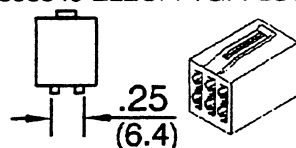
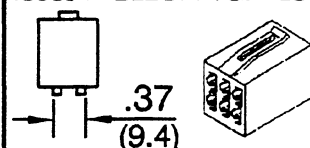
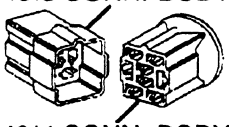
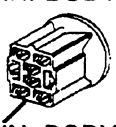
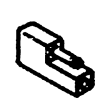
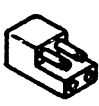
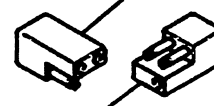

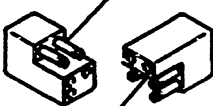

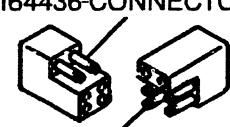
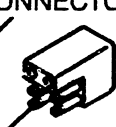
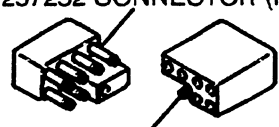
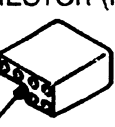
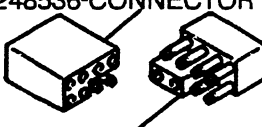
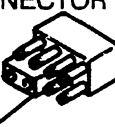
REF	PART NO.	NAME OF PART	QTY	REF	PART NO.	NAME OF PART	QTY
61	a	369470 Wire	1	80	1353883	Oil Pressure Switch (Engine)	1
61	b	1332241 Wire	1	81	1315018	Adapter	1
62	d	1307687 Relay (24 Volt)	2	82	bm	1332210 Harness (Switch)	1
63	dp	1323126 Harness (Solenoid Valve)	1	82	np	1336224 Harness (Switch)	1
63	r	1357130 Harness (Solenoid Valve)	1	82	rs	1357131 Harness (Switch)	1
64	ad	292501 Screw	2	83	a	1301299 Pressure Switch	1
64	b	302248 Screw	2	84	f	1367299 Harness	1
65	b	320155 Washer	2	85		16805 Hex Head Bolt	2
66	ad	292680 Lockwasher	2	86		15156 Lockwasher	2
66	b	292679 Lockwasher	2	87		15134 Washer	2
67	ad	136687 Nut	2				
67	b	292668 Nut	2	a		Last Used On S/N C117E-1586	
68	d	12821 Fitting	1	b		First Used On S/N C117E-1587	
69	g	289166 Boot	1	c		Last Used On S/N C117E-1545	
70	d	198675 Clamp	1	d		First Used On S/N C117E-1546	
71	d	137852 Strap Clamp	AR	e		Last Used On S/N C117E-1712	
72	d	1323130 Cable	1	f		First Used On S/N C117E-1713	
73	dg	1323127 Switch (Battery Disconnect)	1	g		Last Used On S/N C117E-1717	
73	h	1324517 Switch (Battery Disconnect)	1	h		First Used On S/N C117E-1718	
74	dg	292680 Lockwasher	2	k		Last Used On S/N C117E-1646	
75	dg	136687 Nut	2	m		Last Used On S/N C117E-1621	
76	dg	292502 Hex Head Bolt	2	n		First Used On S/N C117E-1622	
77	dg	320156 Washer	2	p		Last Used On S/N C117E-1664	
78	dg	1323132 Keeper	1	r		First Used On S/N C117E-1665	
79	d	815563 Harness (Transmission Temperature Sender)	1	s		Last Used On S/N Pending Per ECN 59846	

ALTERNATOR (Figure 49)

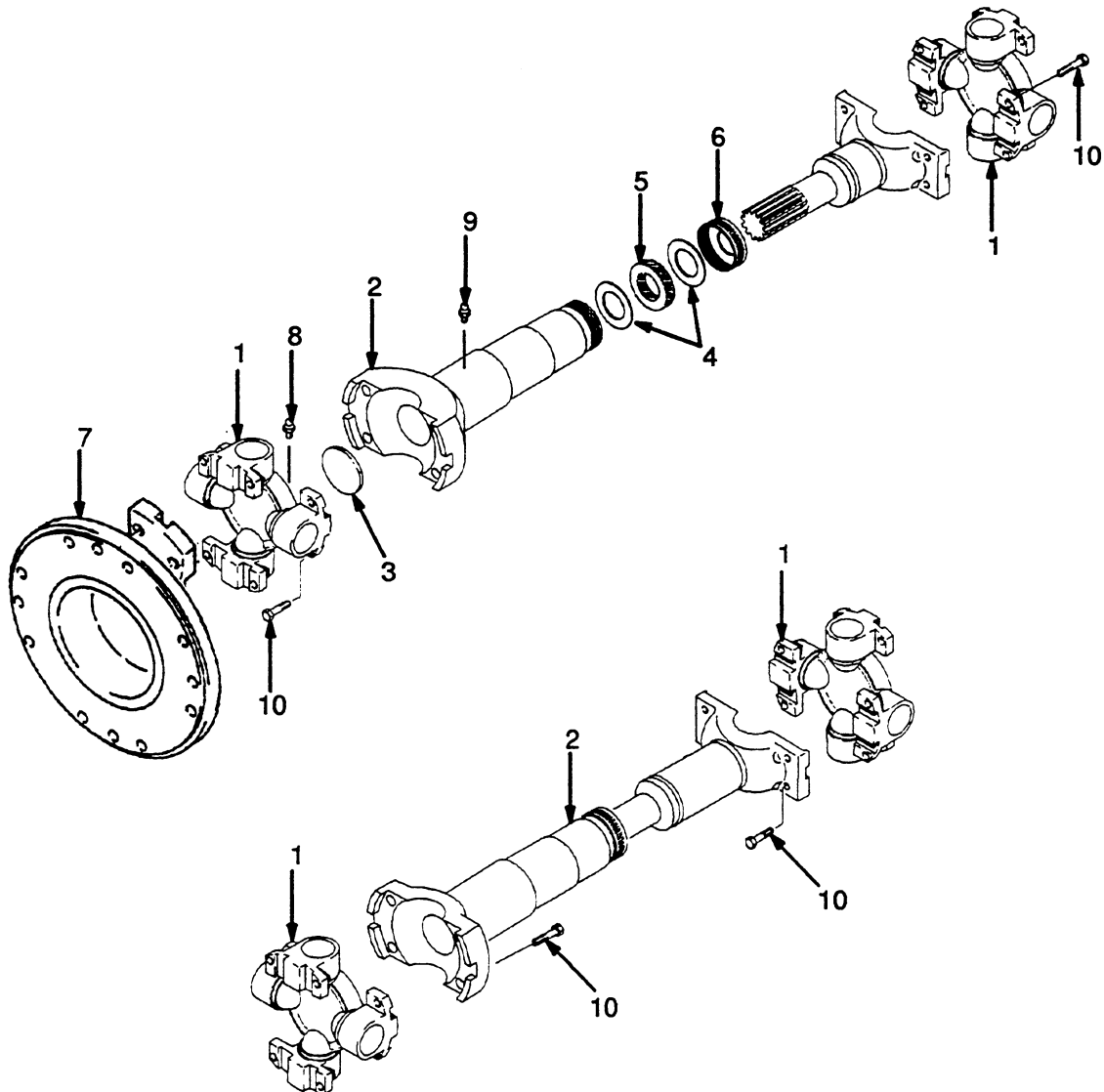


ELECTRICAL CONNECTORS LESS TERMINALS

(Figure 56)

<p>1300231-TERMINAL(10-14GA) 381847-TERMINAL (14-16GA)</p>  <p>381846-FUSEHOLDER</p>	<p>42958-CONNECTOR</p> 	<p>148660-CONNECTOR</p> 	<p>256291-CONN. BODY</p> 
<p>148657-CONN. BODY (F)</p>  <p>121384-CONN. BODY (M)</p> 	<p>181045-CONN. BODY (F)</p>  <p>181046-CONN. BODY (M)</p> 	<p>345474-CONN. BODY</p> 	<p>126381-CONN. BODY</p> 
<p>181047-CONN. BODY (F)</p>  <p>181048-CONN. BODY (M)</p> 	<p>148658-CONN. BODY (F)</p>  <p>148659-CONN. BODY (M)</p> 	<p>329432-CONN. BODY (F)</p>  <p>245996-CONN. BODY (M)</p> 	<p>1350575-CONN. BODY (F)</p>  <p>346330-CONN. BODY (M)</p> 
<p>152728-CONN. BODY (F)</p>  <p>126319-CONN. BODY (M)</p> 	<p>181049-CONN. BODY (F)</p>  <p>181050-CONN. BODY (M)</p> 	<p>1328311-"Y"-PLUG</p> 	<p>1328309-PLUG (DASH DISPLAY)</p> 
<p>181051-CONN. BODY (F)</p>  <p>181052-CONN. BODY (M)</p> 	<p>154476-CONN. BODY (F)</p>  <p>154475-CONN. BODY (M)</p> 	<p>144011-CONNECTOR SET</p> 	<p>370728-CONN. BODY (IGNITION SWITCH)</p> 
<p>181053-CONN. BODY (F)</p>  <p>181054-CONN. BODY (M)</p> 	<p>1308549-ELEC. FTG. PLUG</p> 	<p>1308544-ELEC. FTG. PLUG</p> 	<p>134813-CONN. BODY (F)</p>  <p>134814-CONN. BODY (M)</p> 
<p>164431-CONNECTOR</p> 	<p>164433-CONNECTOR</p> 	<p>192529-CONNECTOR (F)</p>  <p>192528-CONNECTOR (M)</p> 	<p>169321-CONNECTOR (F)</p>  <p>169320-CONNECTOR (M)</p> 
<p>164436-CONNECTOR (F)</p>  <p>164435-CONNECTOR (M)</p> 	<p>257252-CONNECTOR (M)</p>  <p>257253-CONNECTOR (M)</p> 	<p>248536-CONNECTOR (F)</p>  <p>248535-CONNECTOR (M)</p> 	

DRIVE SHAFT (Figure 61)

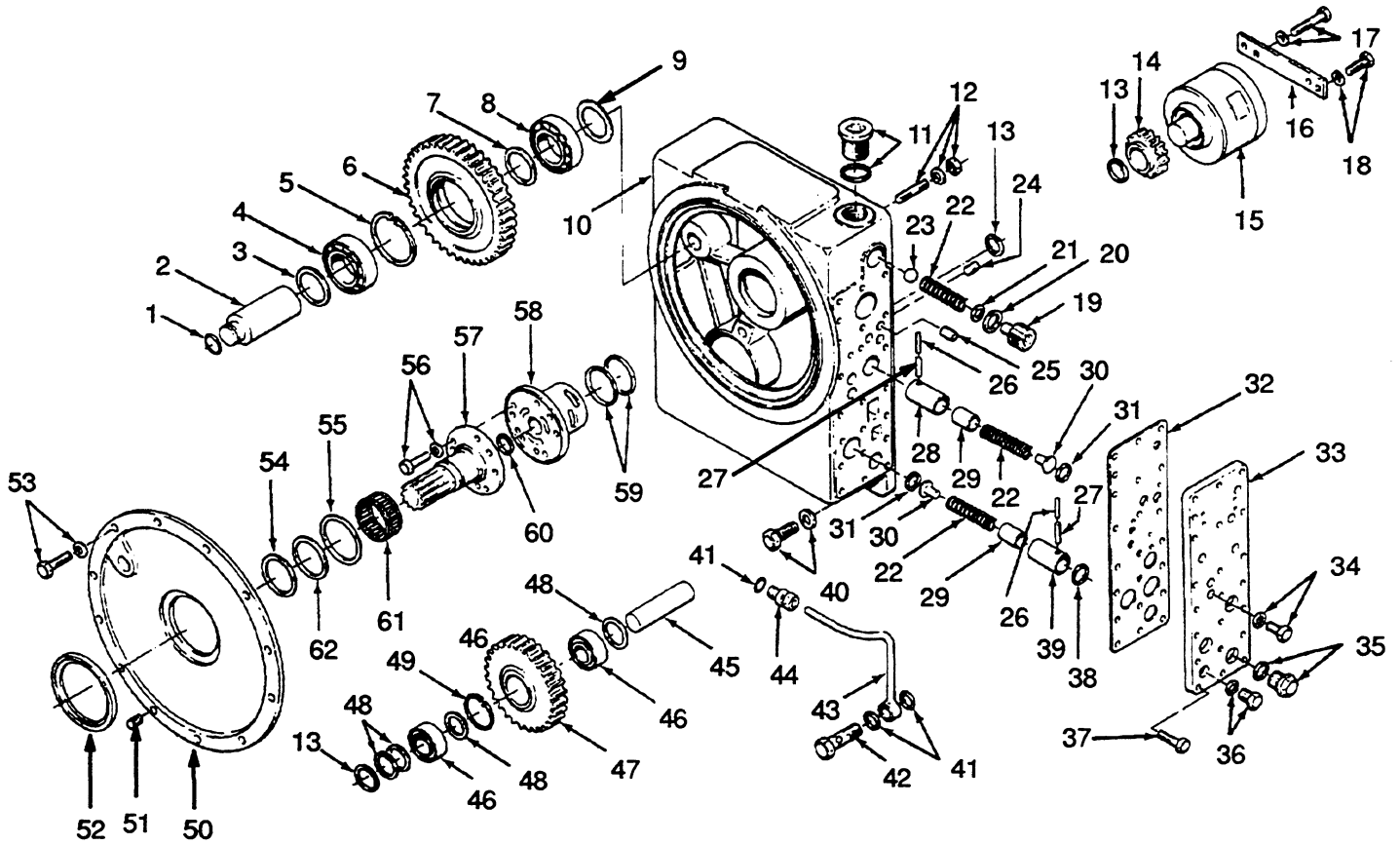


KEY

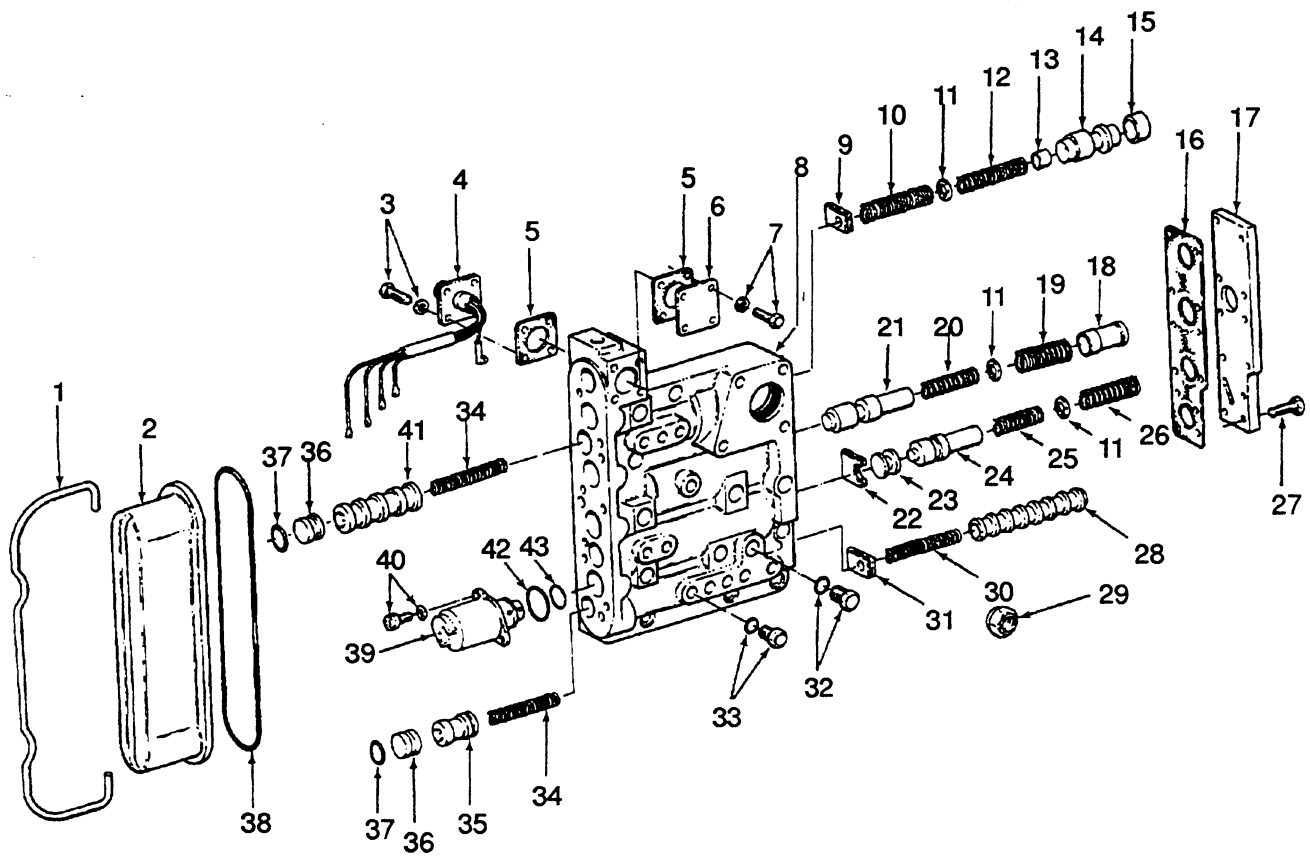
- A: Used On S/N C117E-1502 ⇒ C117E-1586
- B: Used On S/N C117E-1587 ⇒ C117E-1648
- C: First Used On S/N C117E-1649

REF	PART NO.	NAME OF PART	QTY			REF	PART NO.	NAME OF PART	QTY		
			A	B	C				A	B	C
	1312218	Universal Shaft (Drum Brake)	1	3	1337471	Cap	1
	1332189	Universal Shaft (Disc Brake)	1	4	1337472	Washer	2
	1353982	Universal Shaft (Disc Brake)	1	5	1337473	Seal (Felt)	1
1	1344044	Universal Joint	2	2	2	6	1337474	Retainer	1
2	1319392	Tube	1	7	1337575	Flange	1
2	1337470	Tube Assy	1	7	1355347	Flange	..	1	..
2	1354818	Tube Assy	1	8	1319393	Fitting	2
						9	1319394	Fitting	1
						10	221577	Hex Head Bolt	8
						10	1344254	Hex Head Bolt	8

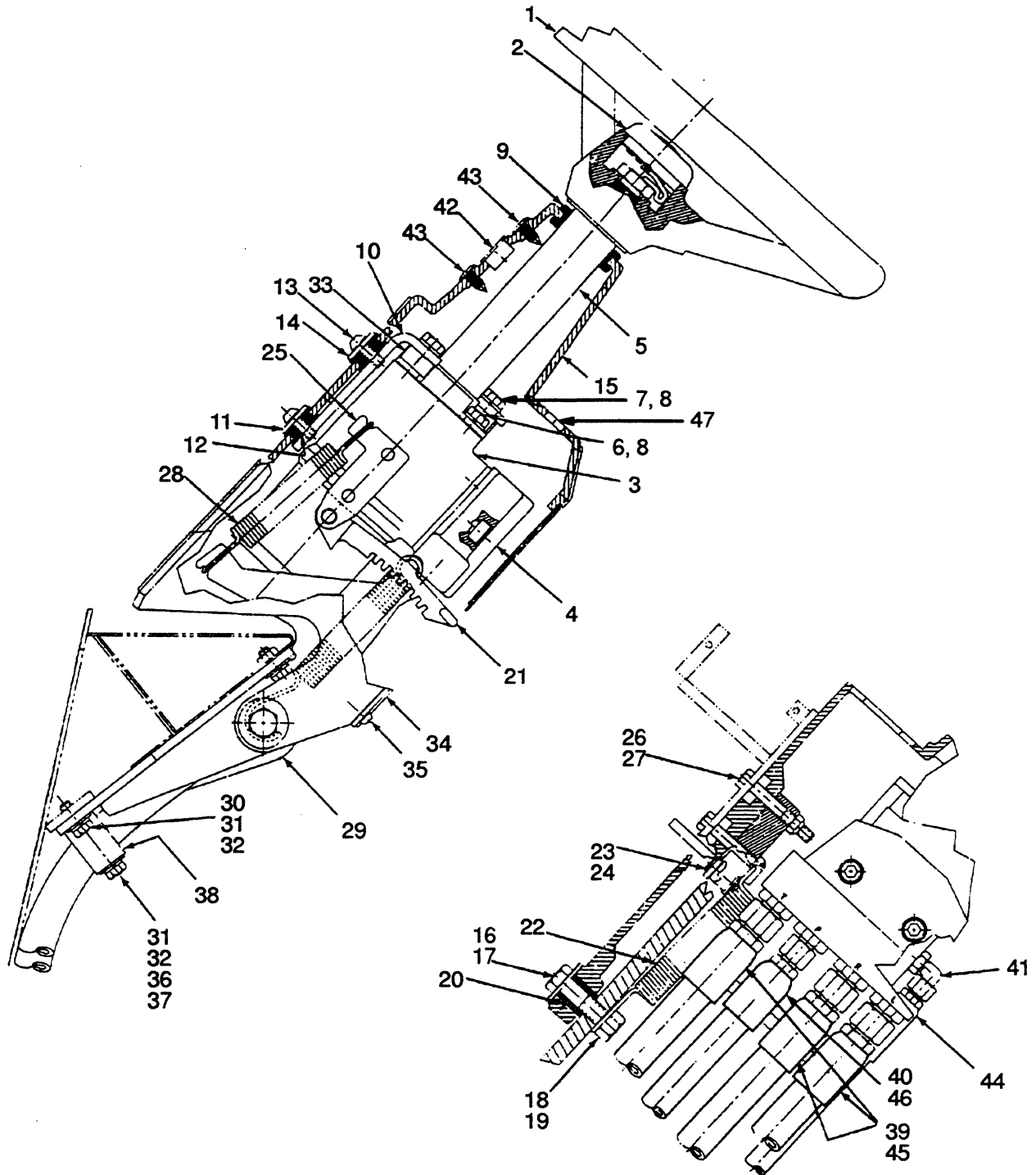
HOUSING TORQUE CONVERTER (Figure 66)



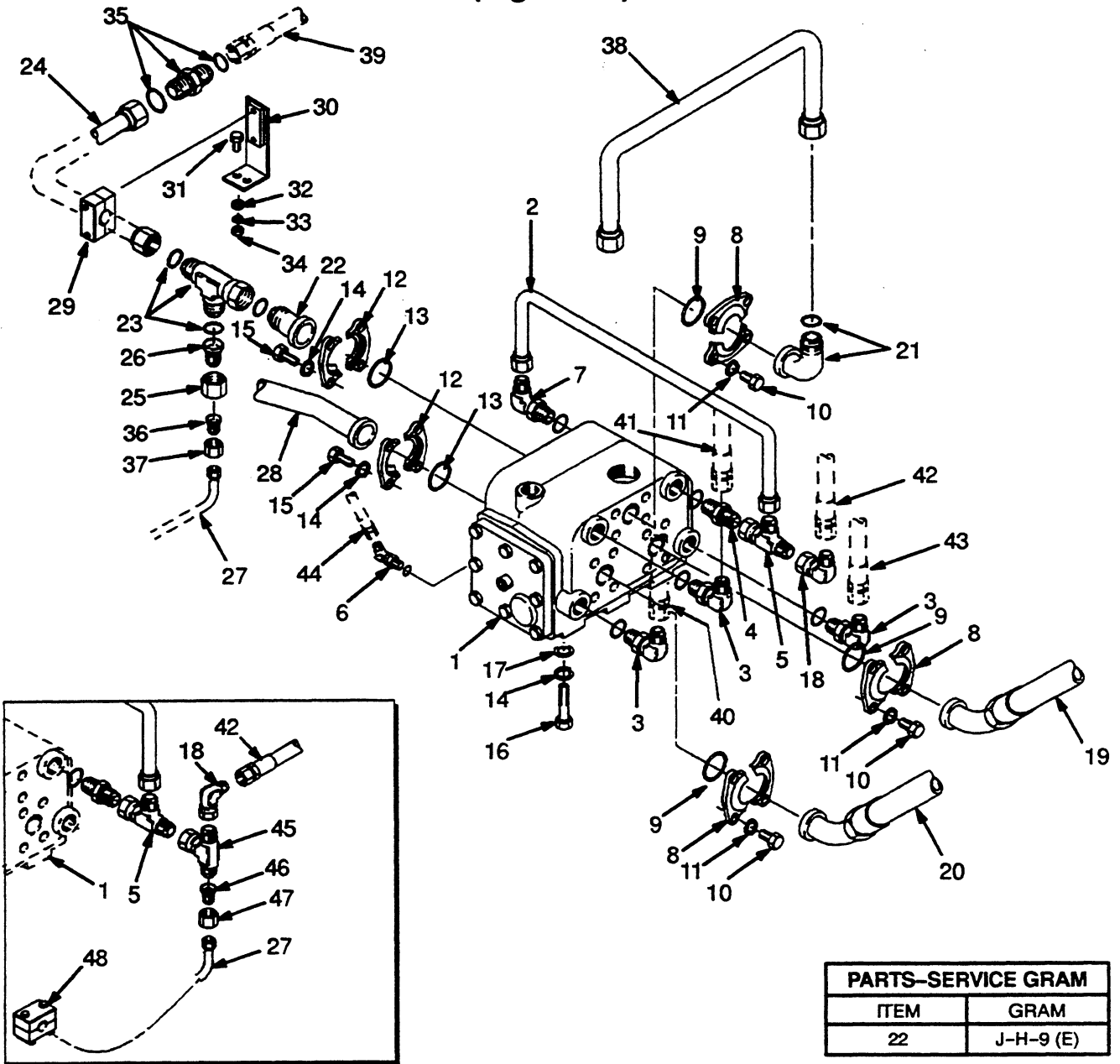
CONTROL VALVE (Figure 72)



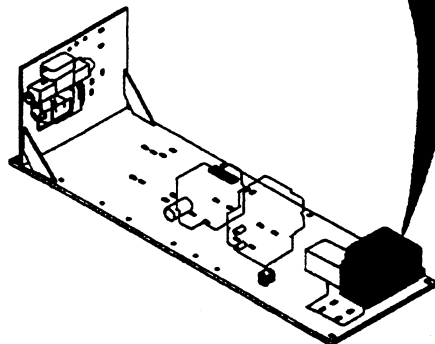
STEERING LAST USED ON S/N C117E-1664 (Figure 82)



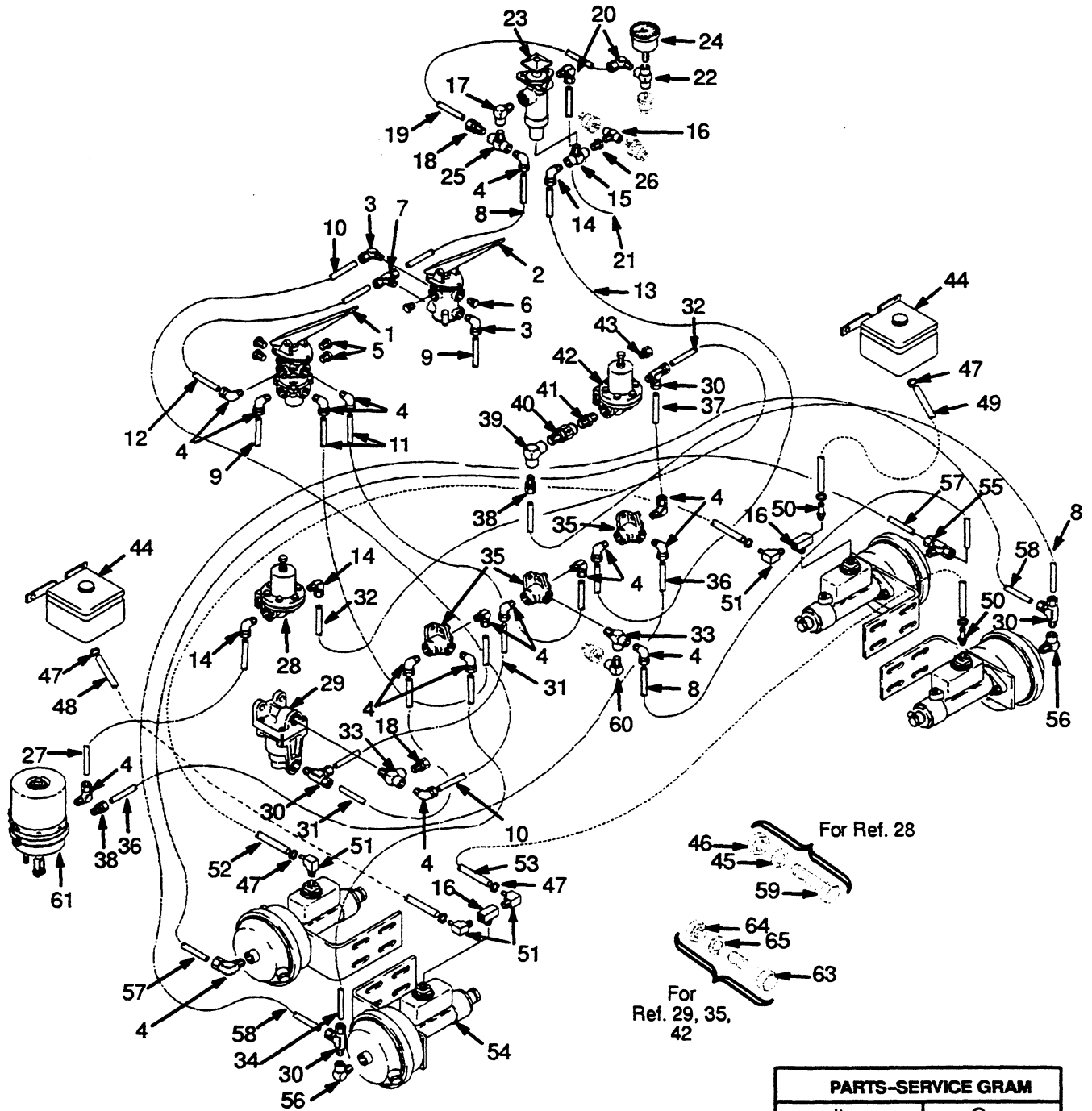
FLOW AMPLIFIER ATTACHING PARTS FIRST USED ON S/N C117E-1665 (Figure 87)



PARTS-SERVICE GRAM	
ITEM	GRAM
22	J-H-9 (E)

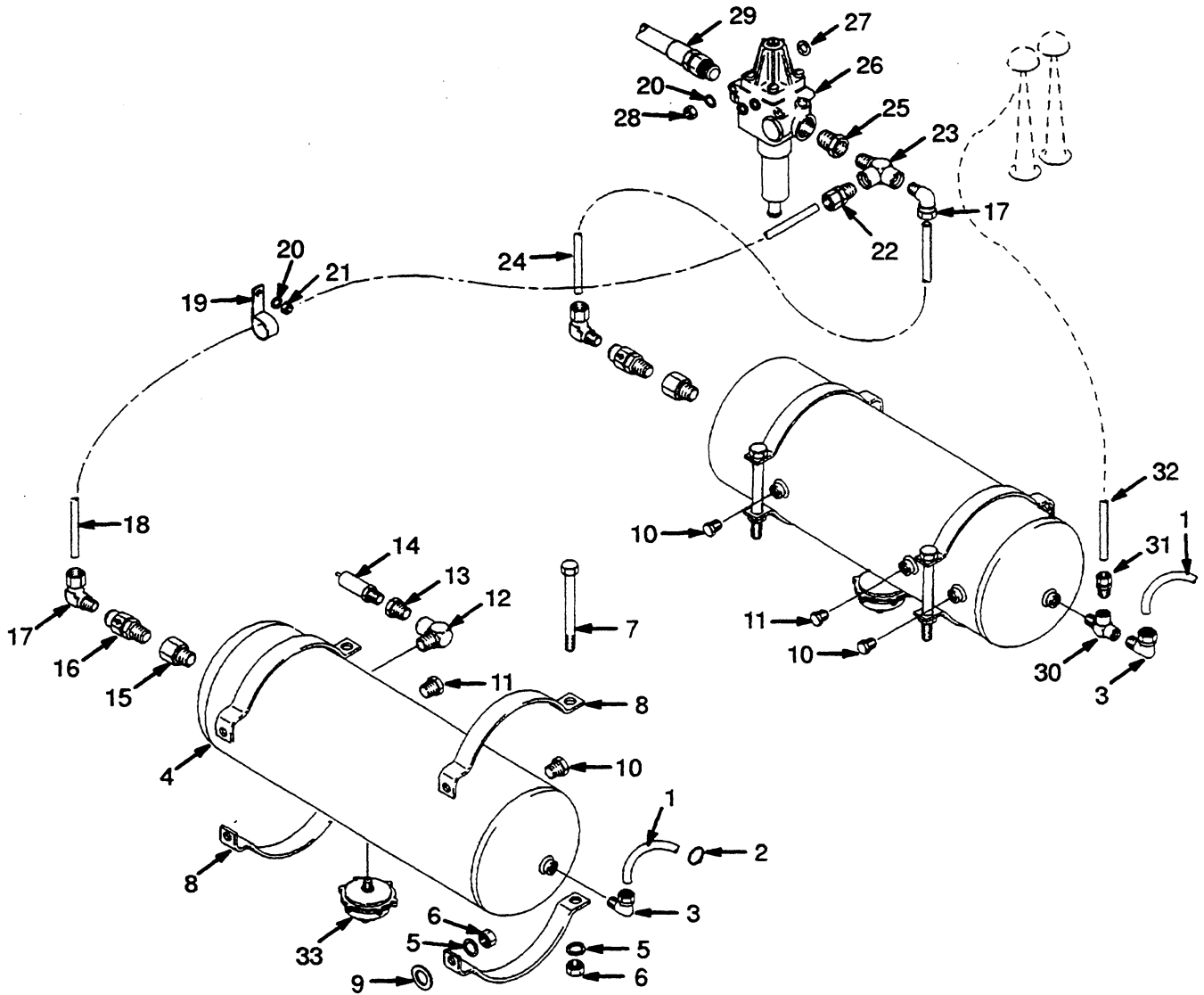


BRAKE LINES AIR BRAKE SYSTEM FIRST USED ON S/N C117E-1529 (Figure 91)



PARTS-SERVICE GRAM	
Item	Gram
Check Valve	H-A-07 (E)
Check Valve	H-A-09 (E)

AIR TANK FIRST USED ON S/N C117E-1518 (Figure 96)



CLICK HERE TO **DOWNLOAD** THE COMPLETE MANUAL

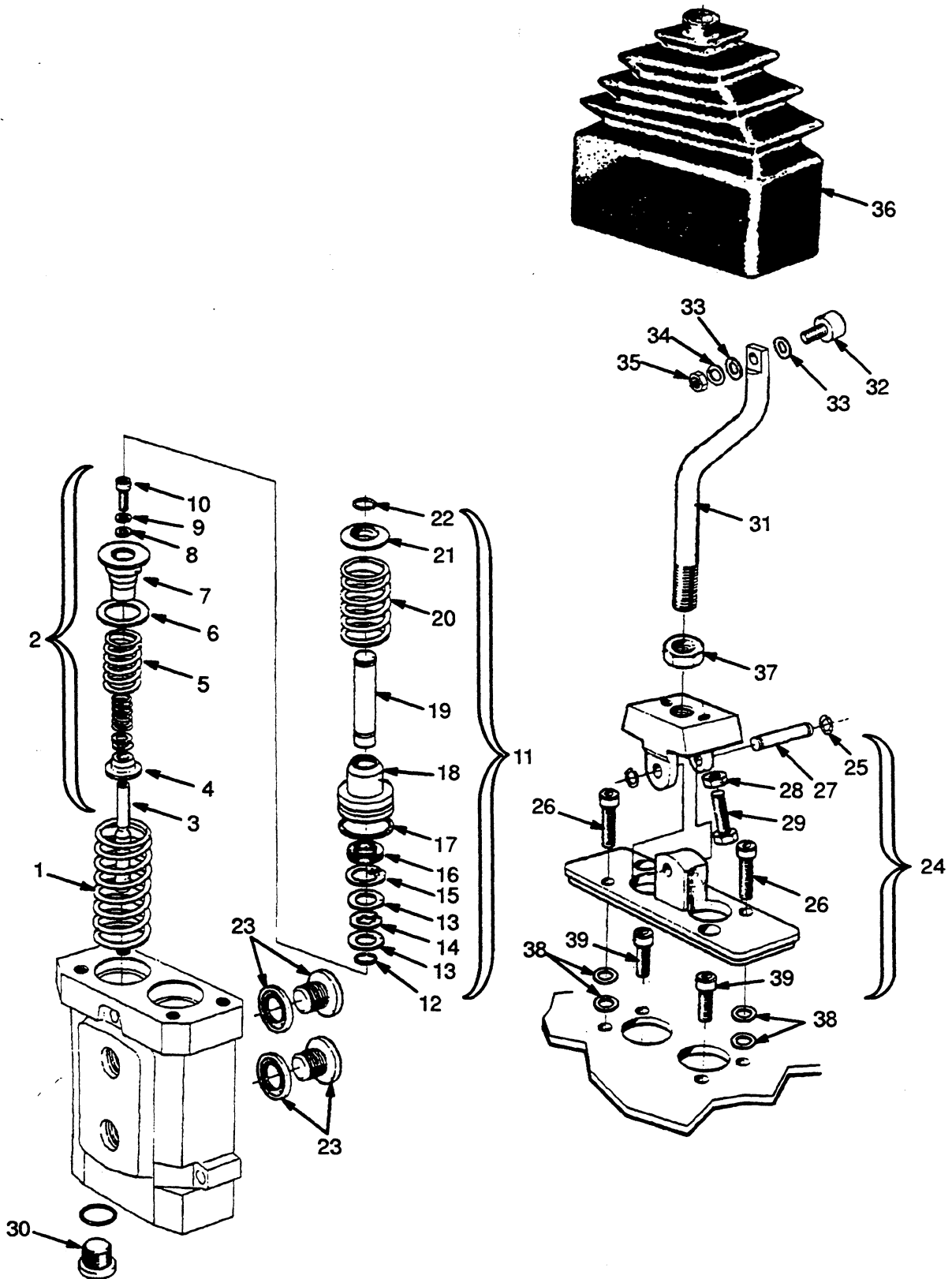
- Thank you very much for reading the preview of the manual.
- You can download the complete manual from: www.heydownloads.com by clicking the link below



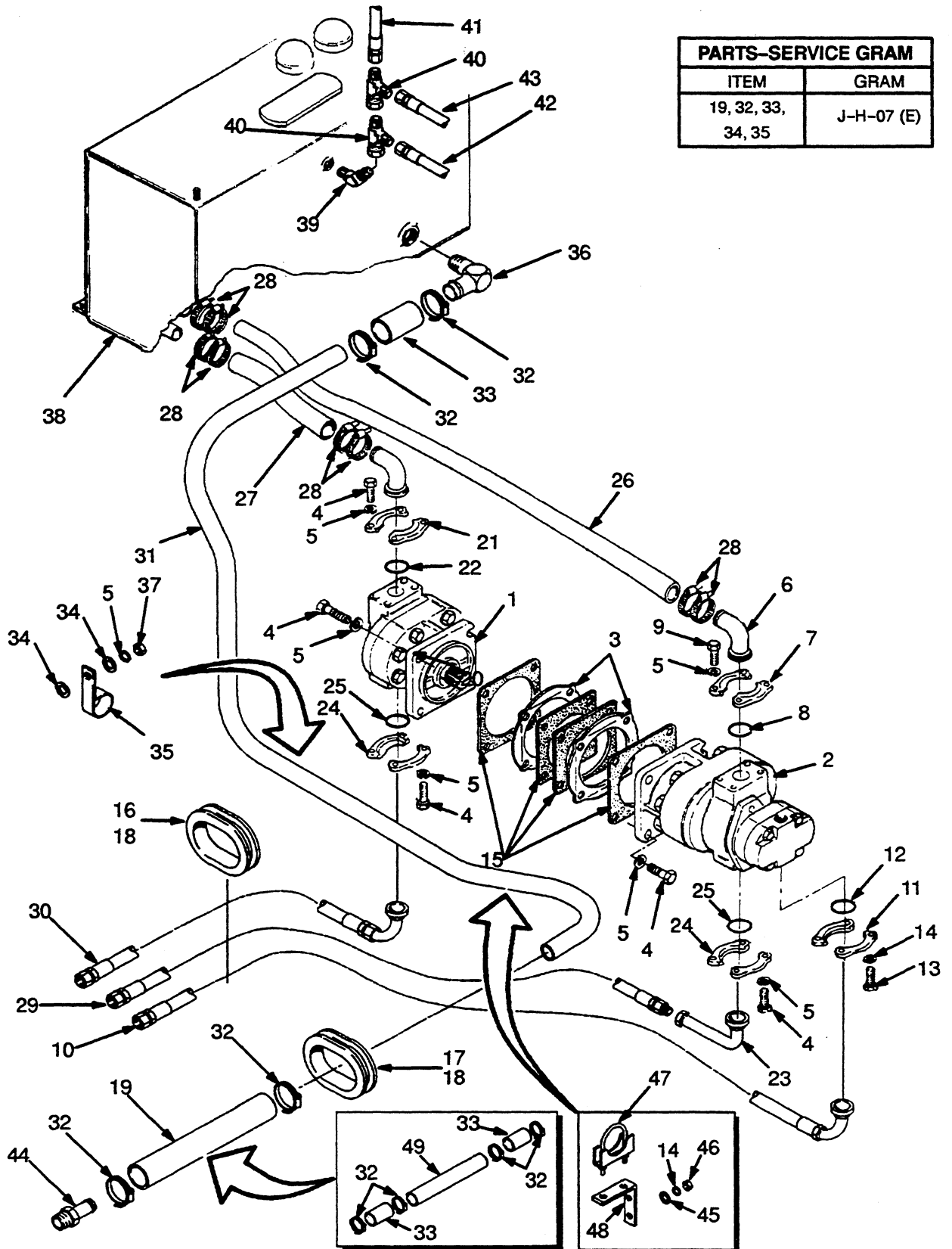
- Please note: If there is no response to CLICKING the link, please download this PDF first and then click on it.

CLICK HERE TO **DOWNLOAD** THE COMPLETE MANUAL

INCHING VALVE FIRST USED ON S/N C117E-1587 (Figure 108)

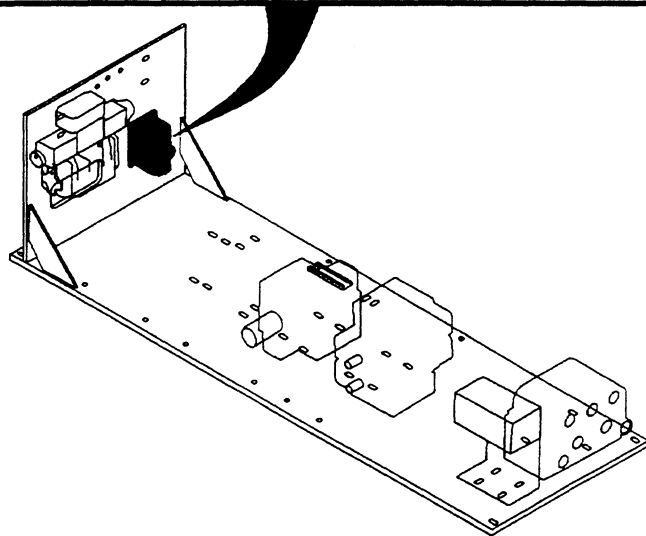
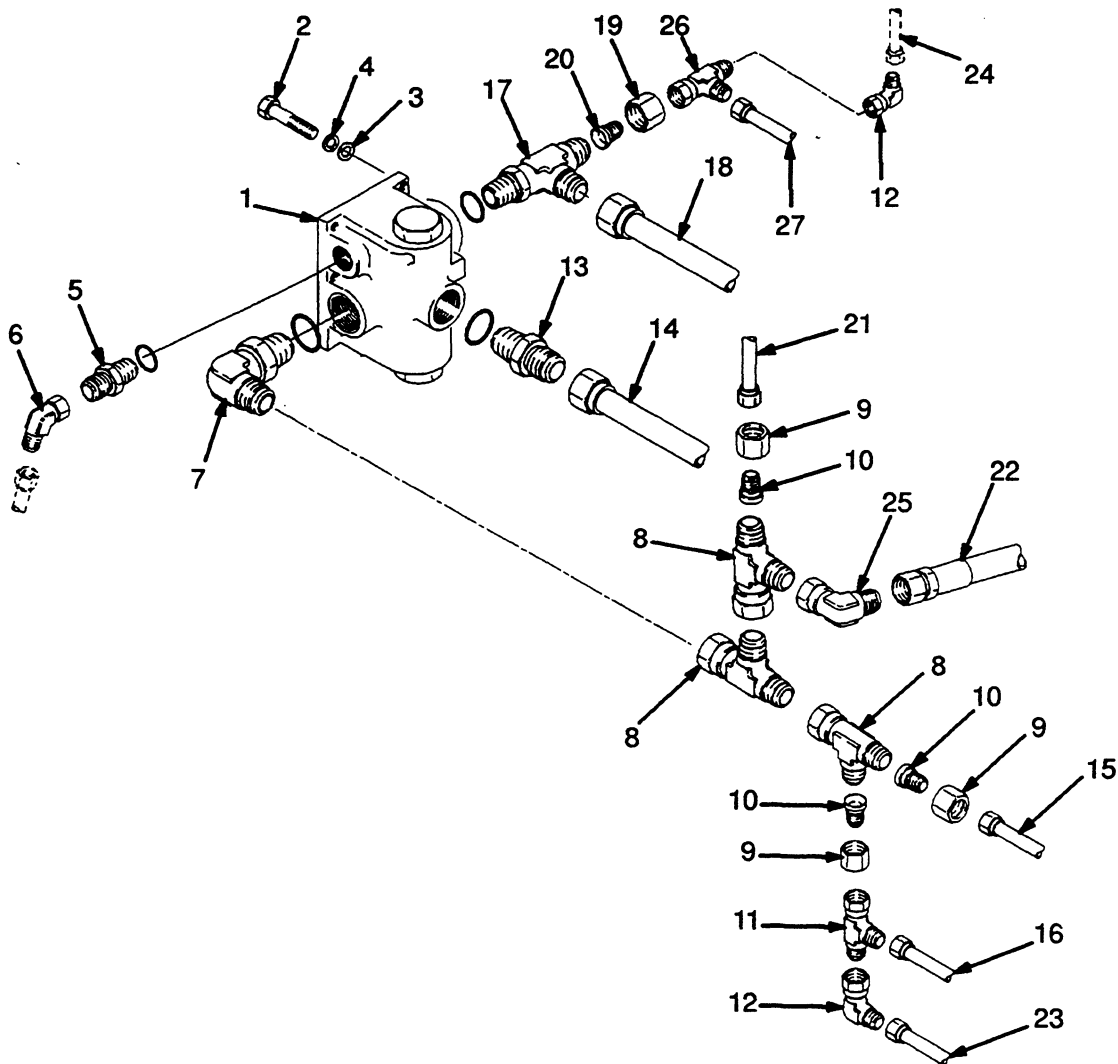


HYDRAULIC SUPPLY AND RETURN FIRST USED ON S/N C117E-1665 (Figure 110)

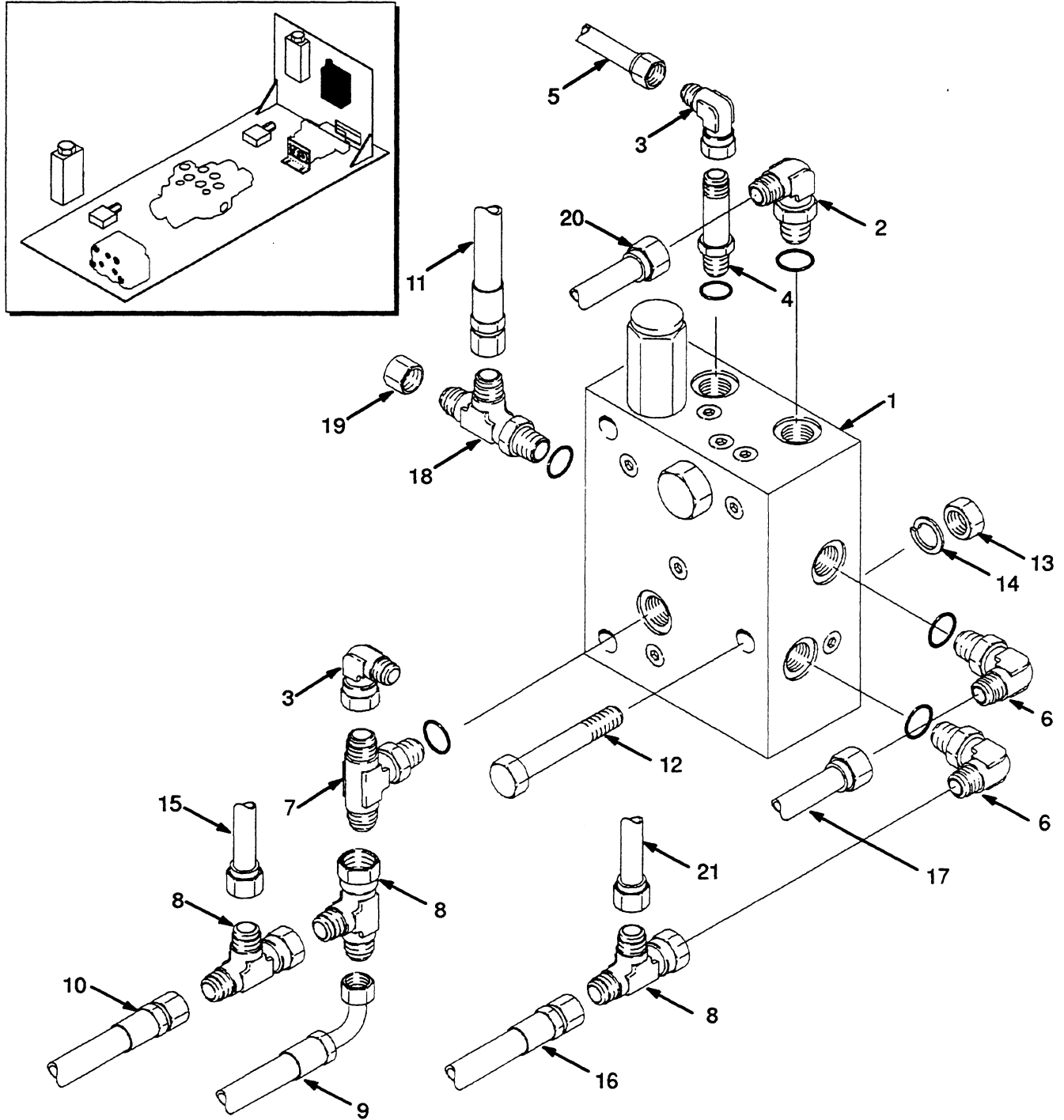


PARTS-SERVICE GRAM	
ITEM	GRAM
19, 32, 33, 34, 35	J-H-07 (E)

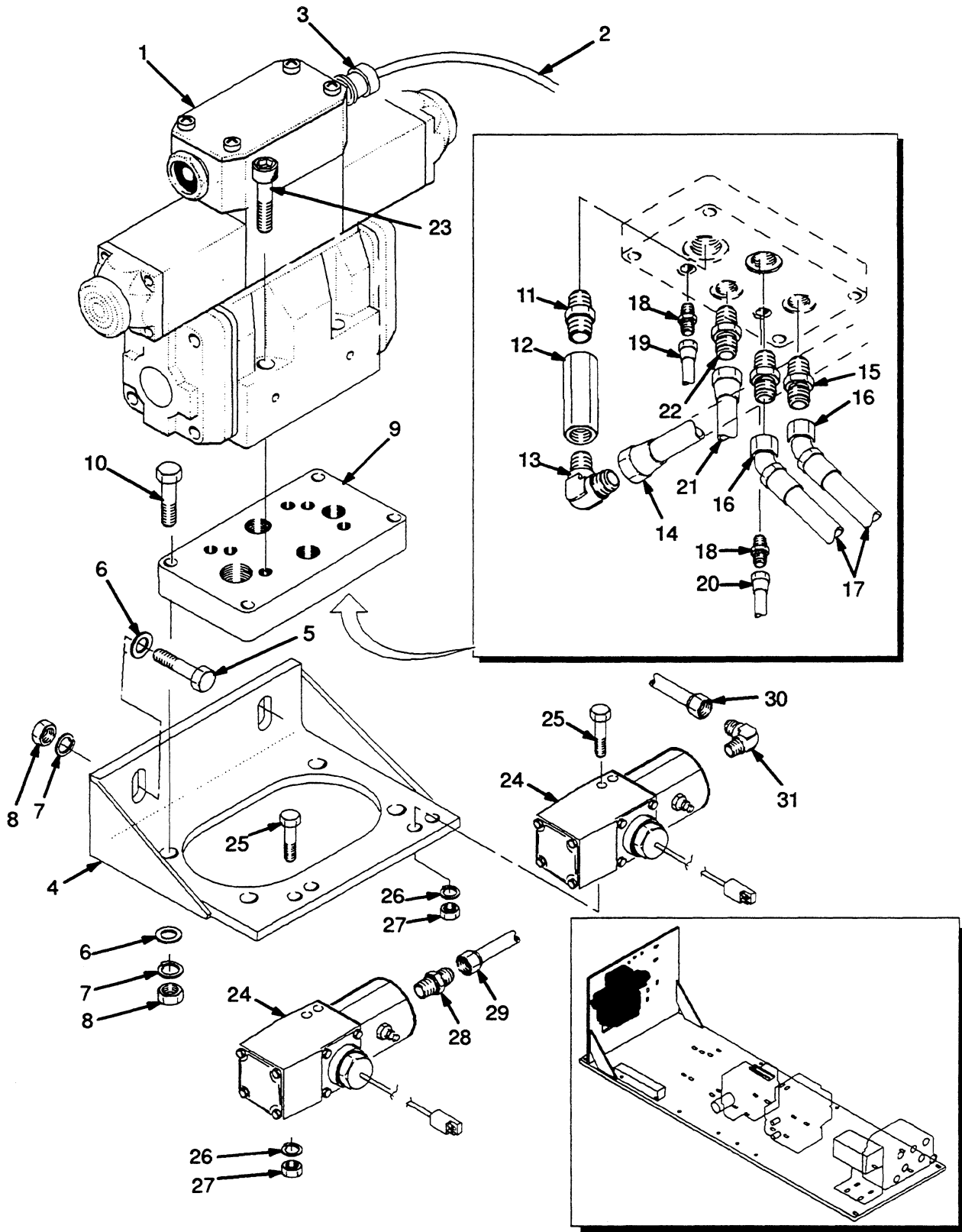
ACCUMULATOR CHARGE VALVE ATTACHING PARTS FIRST USED ON S/N C117E-1665 (Figure 115)



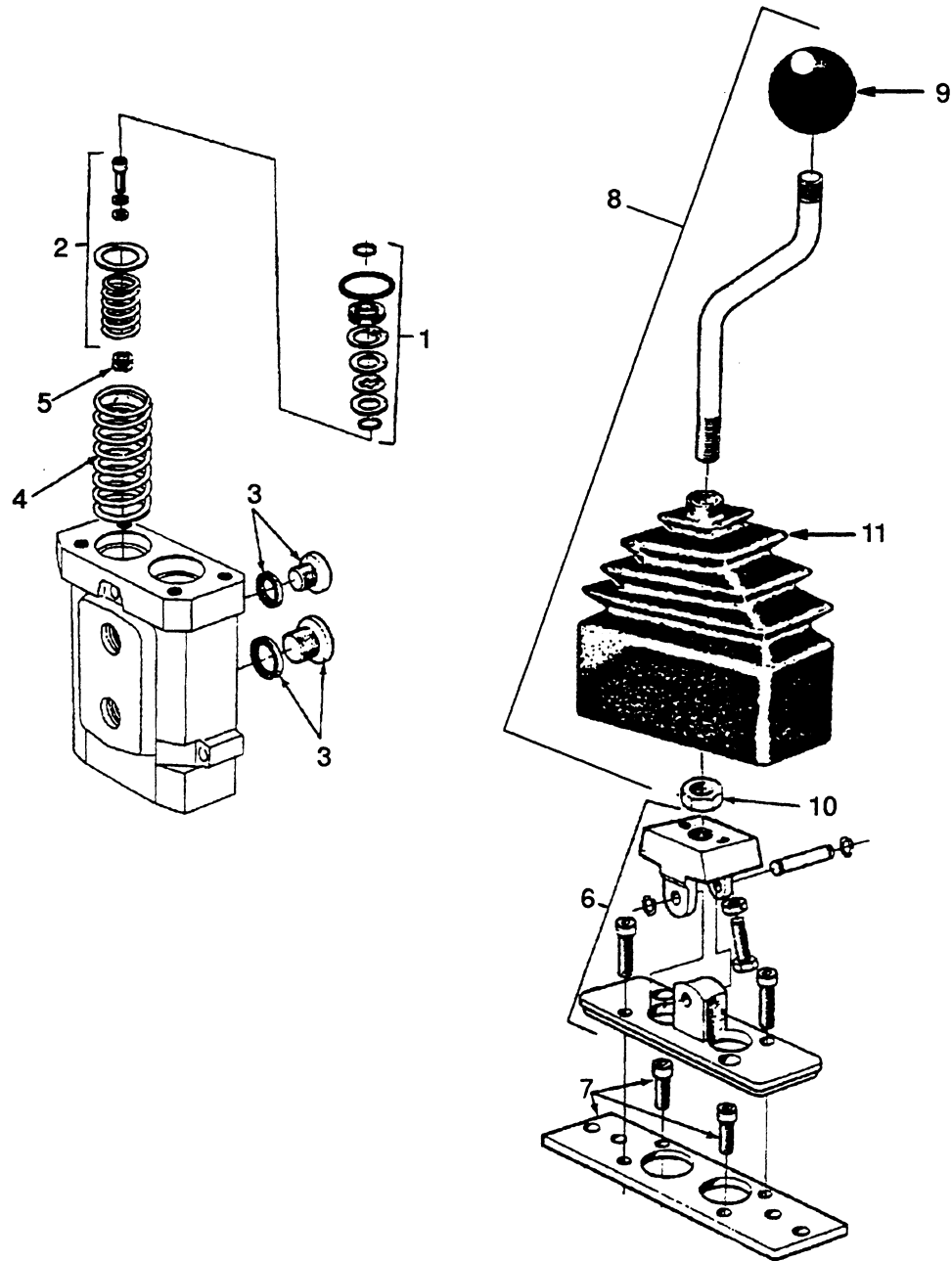
PRESSURE REDUCING VALVE ATTACHING PARTS LAST USED ON S/N C117E-1586 (Figure 121)



ATTACHMENT CONTROL VALVE ATTACHING PARTS FIRST USED ON S/N C117E-1665 (Figure 126)

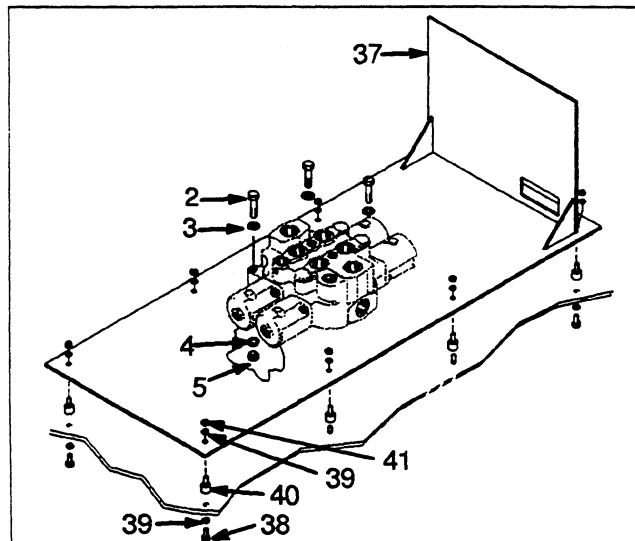
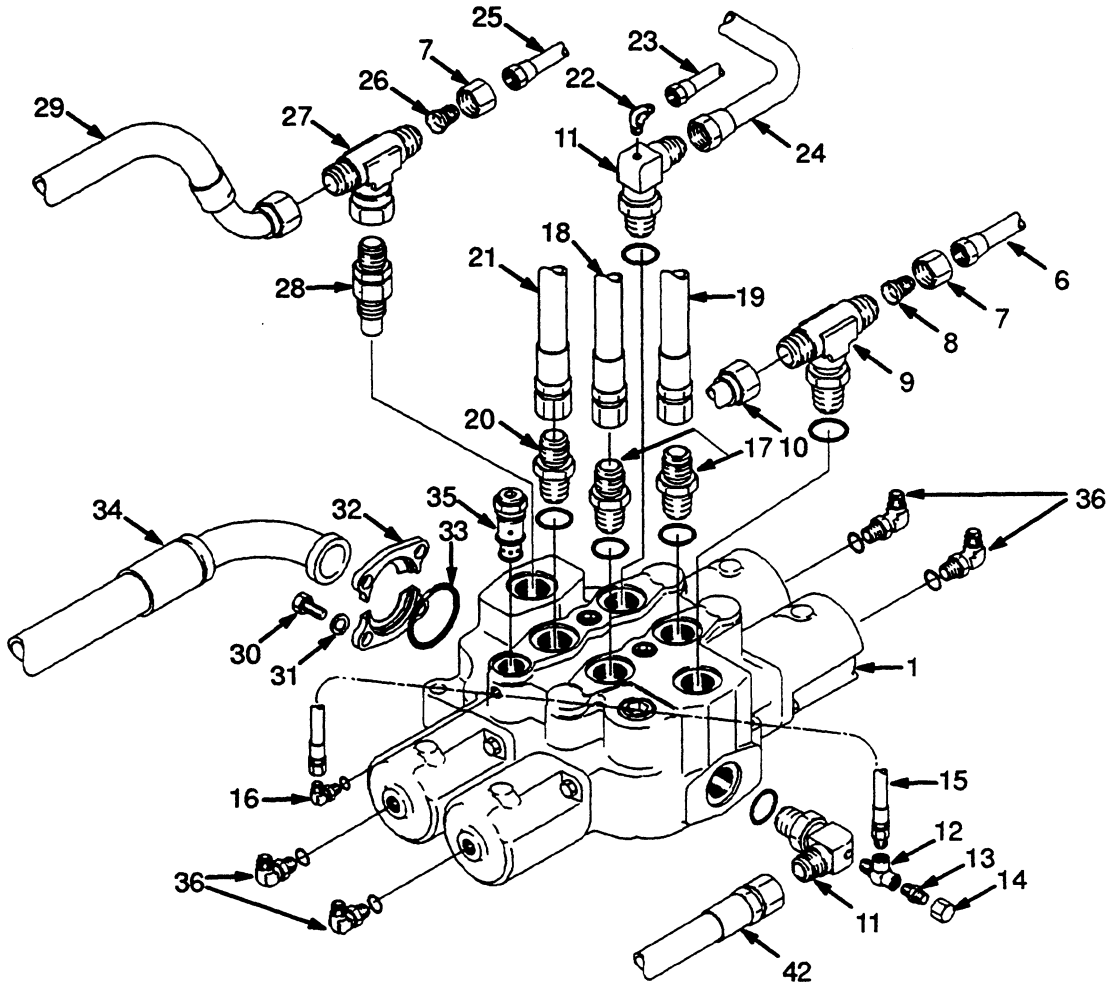


PILOT VALVE (Figure 136)

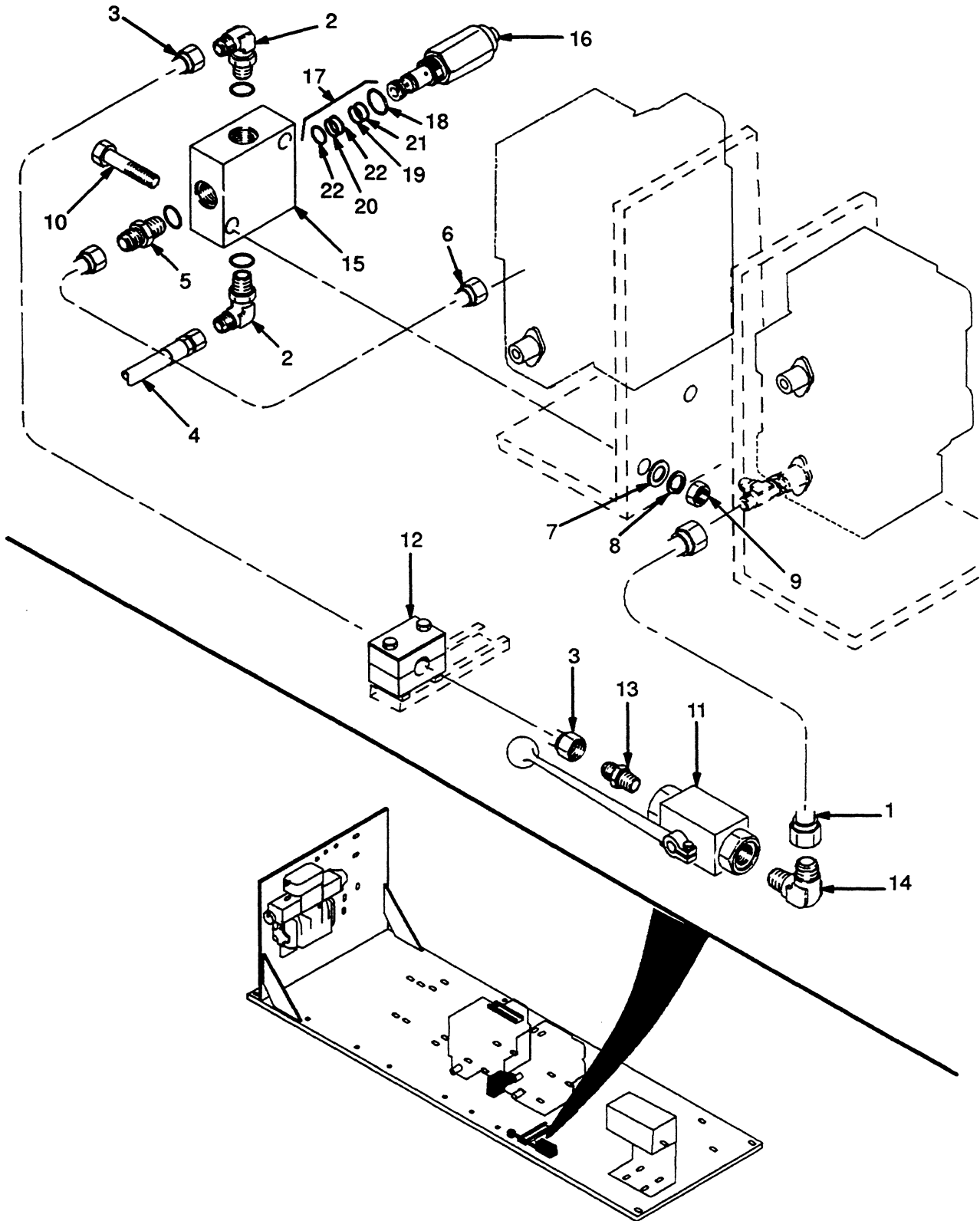


REF	PART NO.	NAME OF PART	QTY	REF	PART NO.	NAME OF PART	QTY
	1307729	Valve	1	6	1318047	Pressure Plate Assy	1
1	1328548	Pin (Set)	1	7	1316395	Plate	1
2	1318044	Spring Set	1	8	1316397	Handlever Assy	1
3	1318045	Kit-Plug	1	9	345929	Knob	1
4	1318025	Spring	1	10	1316398	Nut	1
5	1318026	Spacer	1	11	345735	Boot	1
5	1318027	Spacer	1				

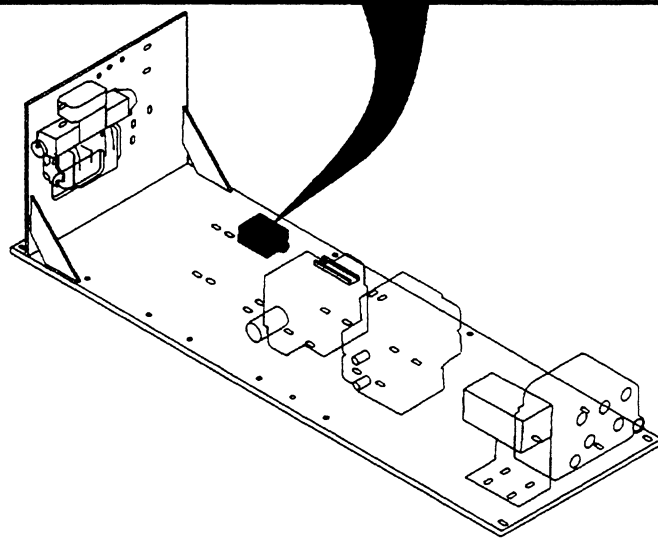
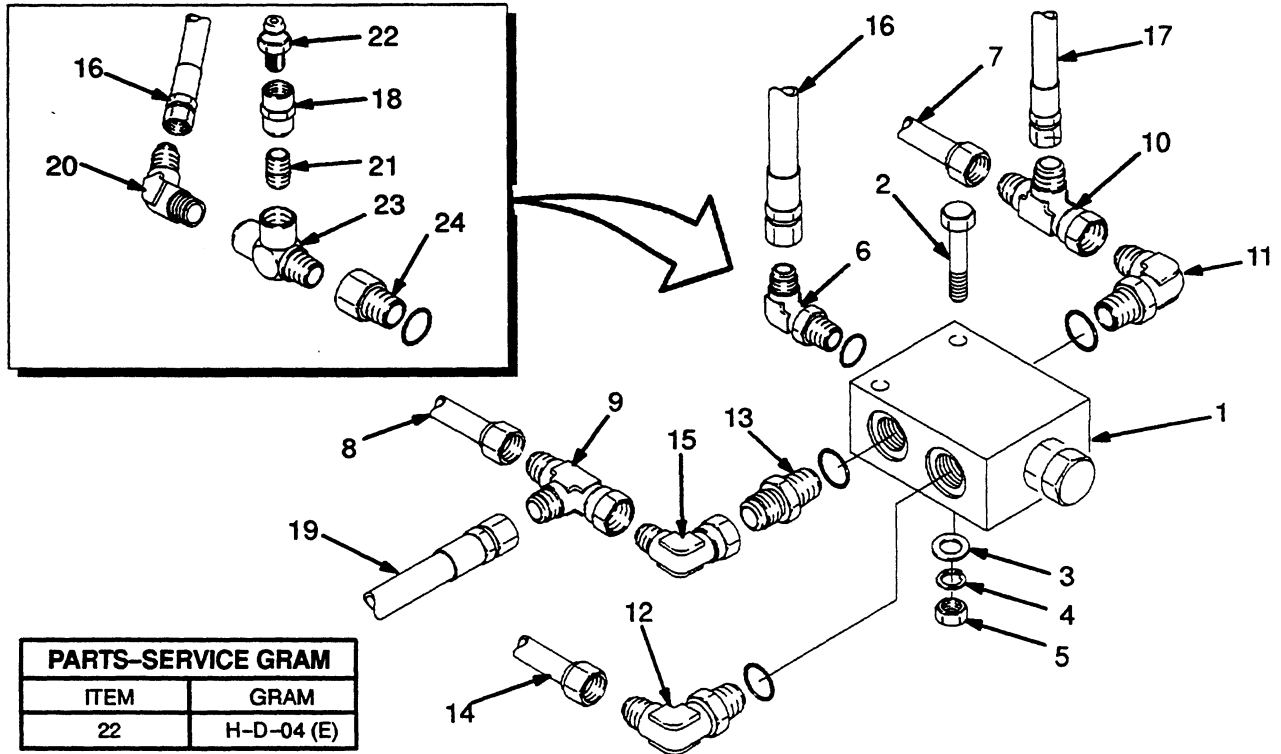
CONTROL VALVE ATTACHING PARTS LAST USED ON S/N C117E-1664 (Figure 143)



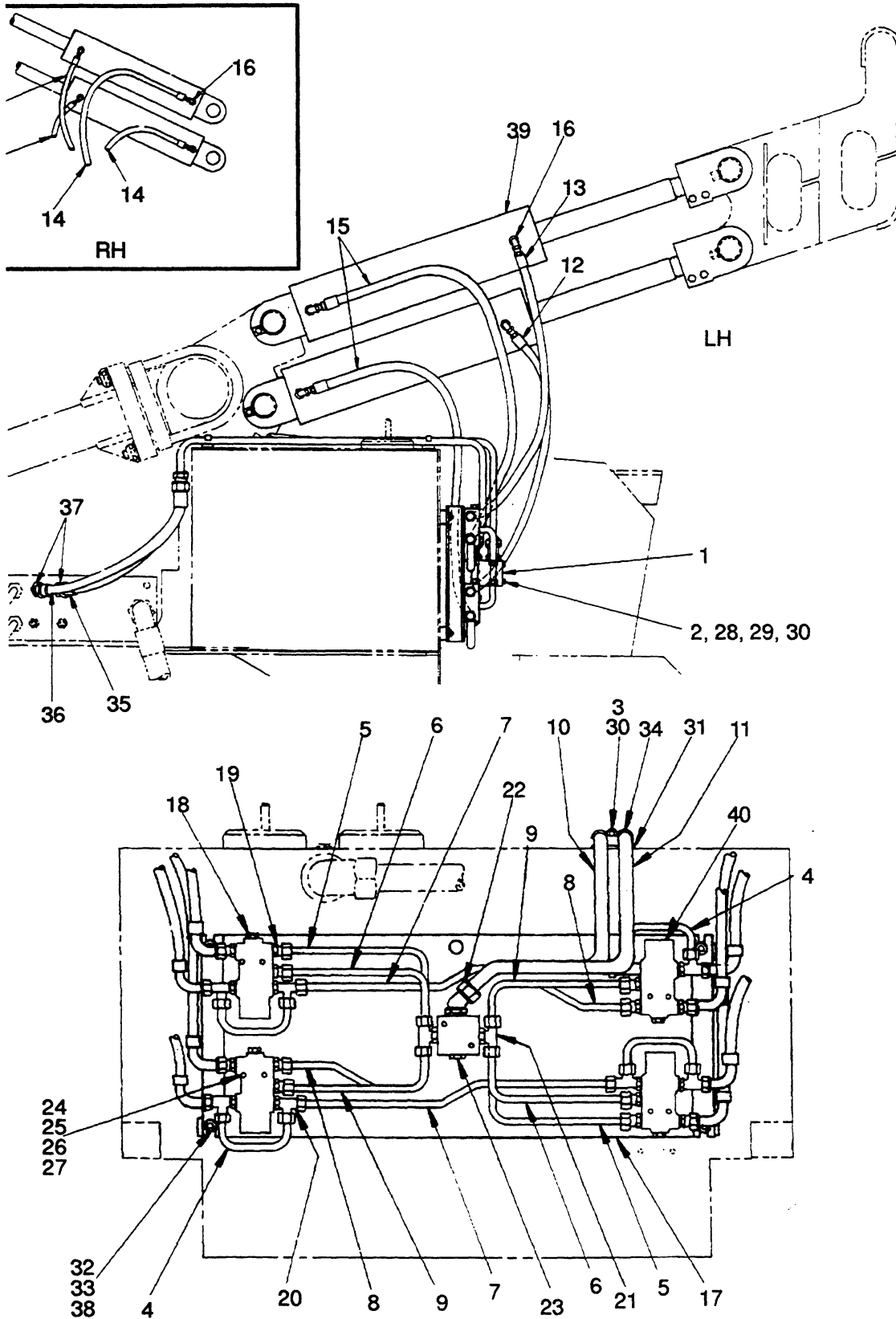
ATTACHING PARTS SHUT-OFF COCK AND SEQUENCE VALVE FIRST USED ON S/N PENDING PER ECN 70150 (Figure 148)



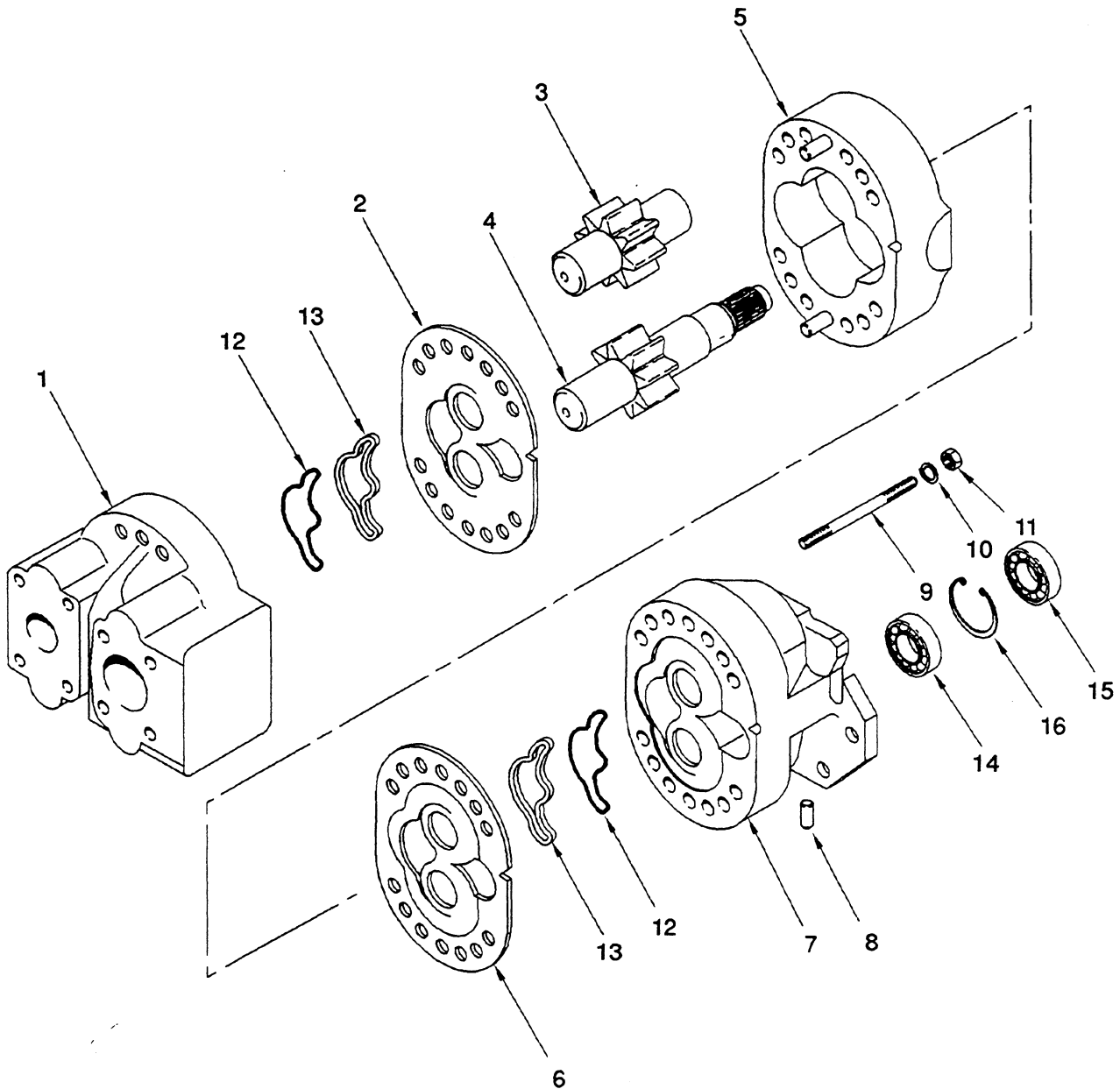
PARK BRAKE PILOT VALVE ATTACHING PARTS LAST USED ON S/N PENDING PER ECN 59846 (Figure 153)



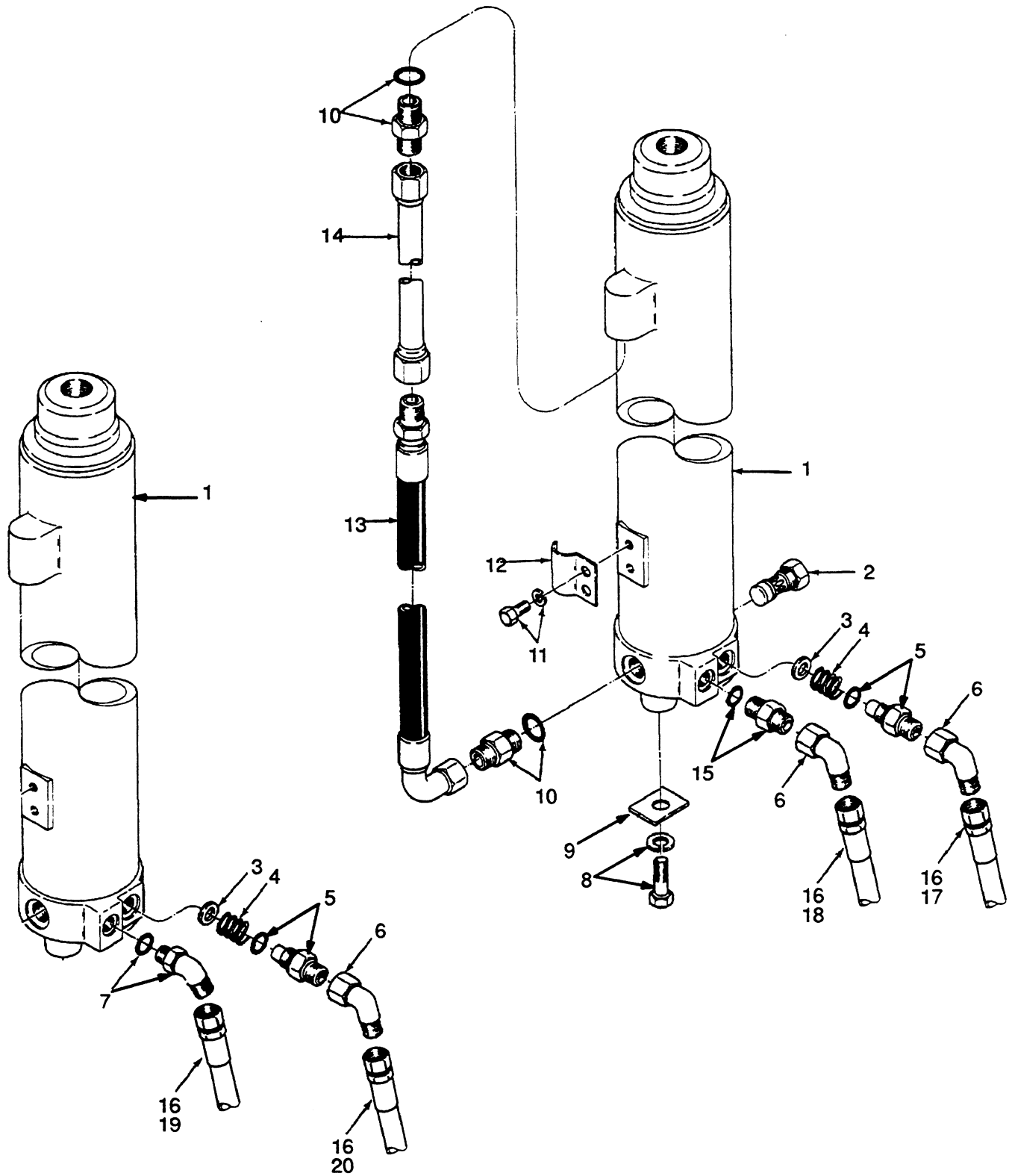
TILT HYDRAULIC LAST USED ON S/N C117E-1664 (Figure 161)



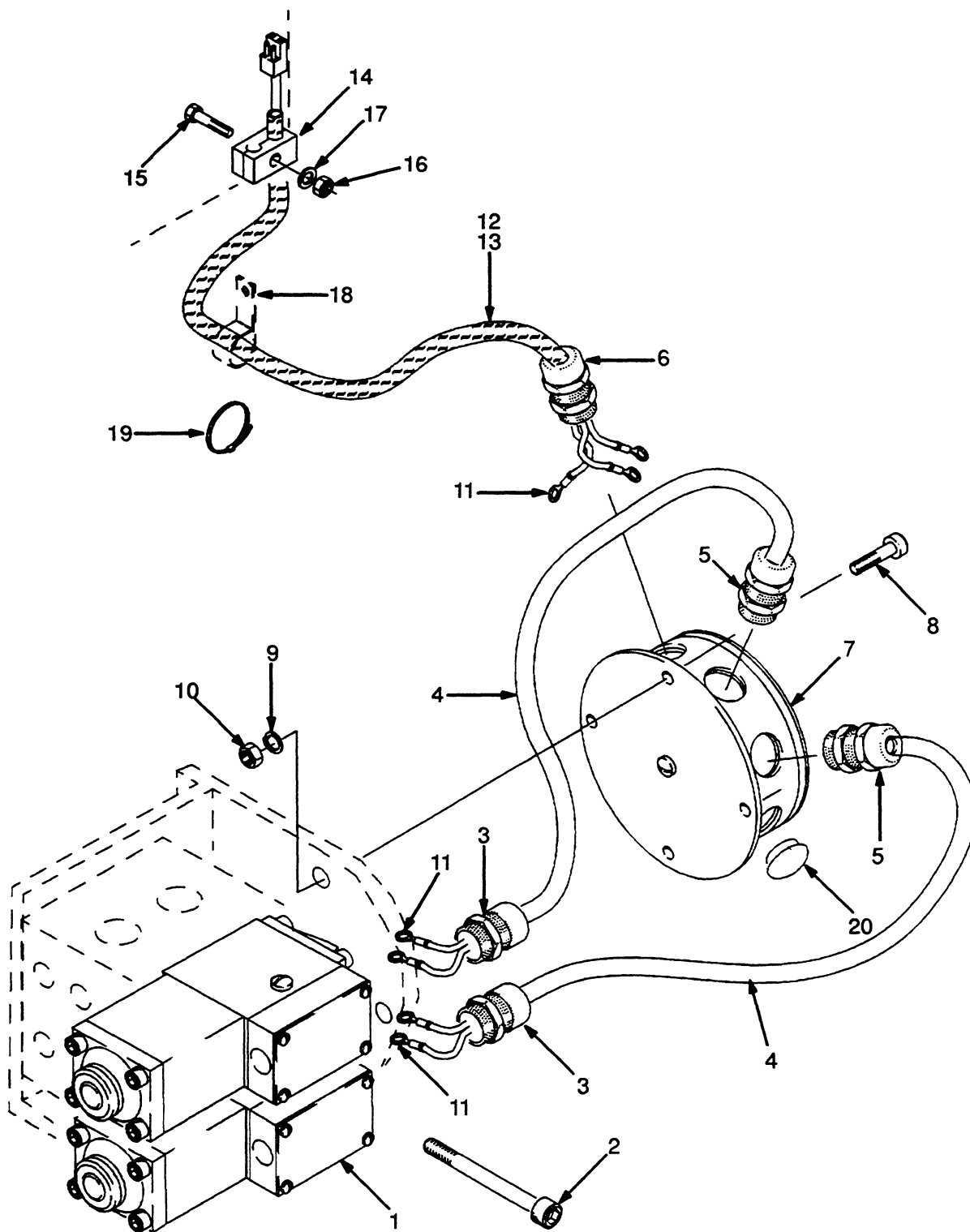
HYDRAULIC PUMP STEERING (Figure 167)



LIFT (Figure 170)



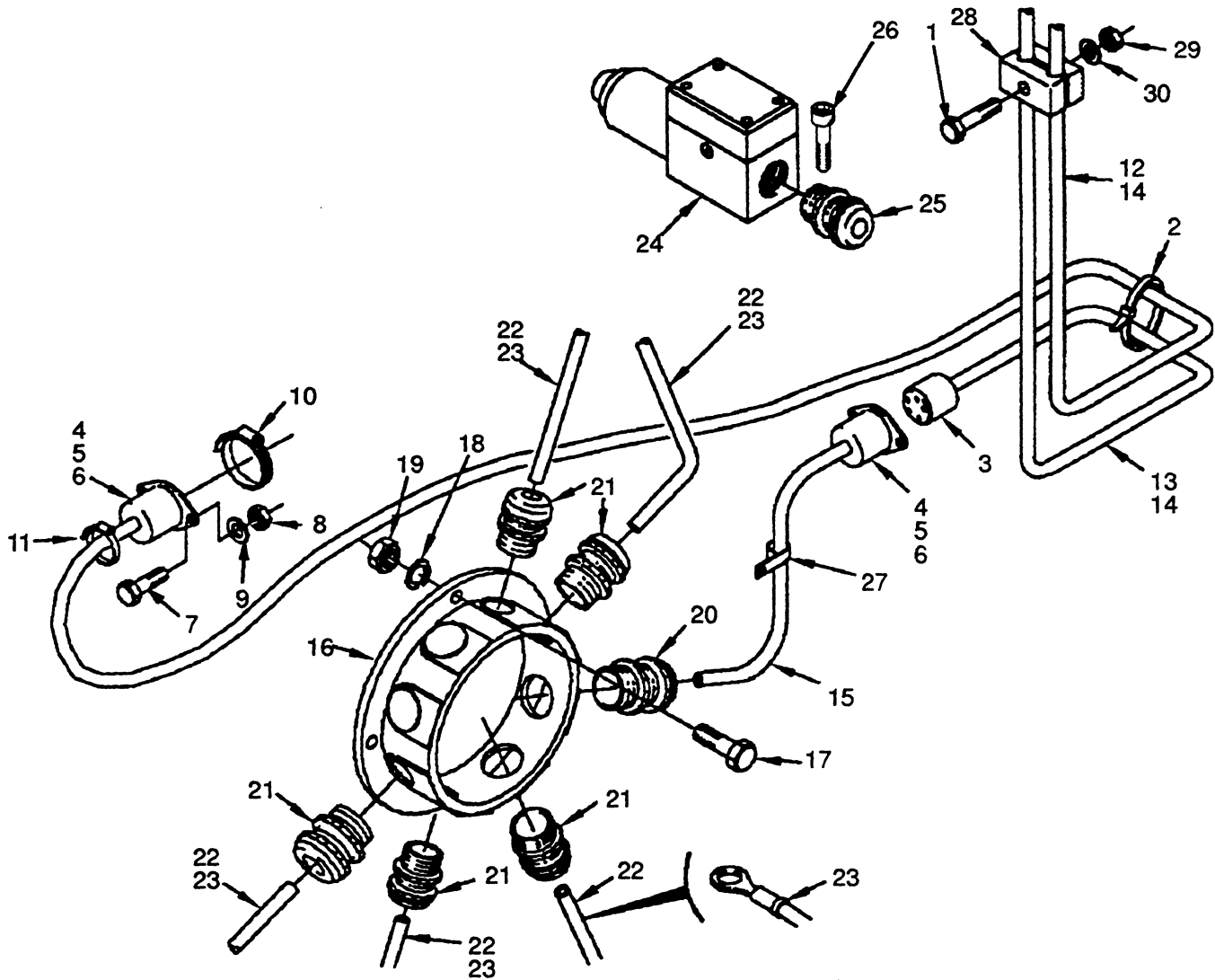
ELECTRICAL STANDARD CARRIAGE (Figure 175)



EXTENDABLE ATTACHMENT (Continued)

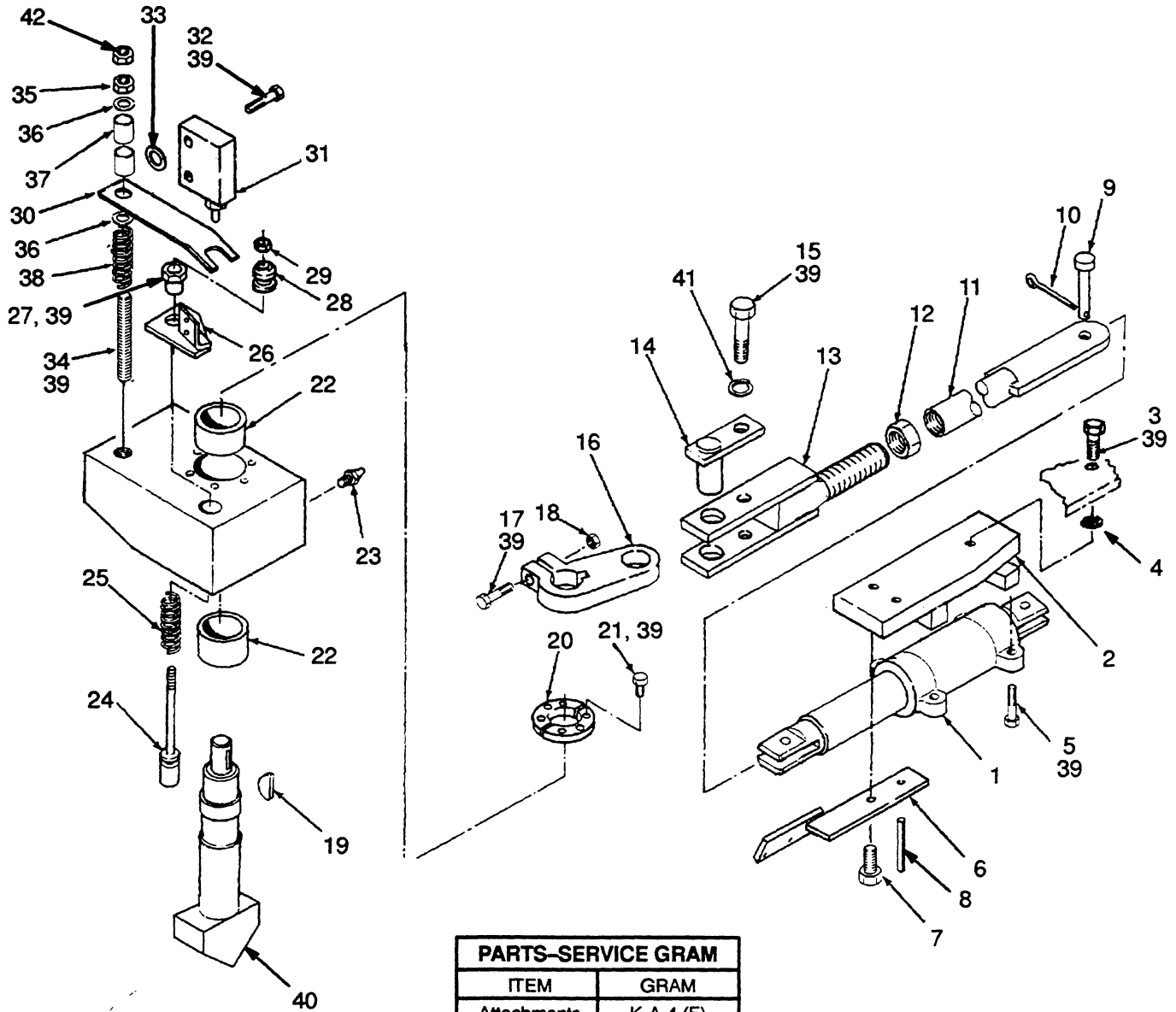
REF	PART NO.	NAME OF PART	QTY	REF	PART NO.	NAME OF PART	QTY
48	^c 221708	Nut	16	64	^k 320156	Washer	12
48	^d 221712	Nut	16	65	^k 302399	Locknut	4
49	Wear Plate	AR	66	362224	Bracket	2
		☐ Figure 200, Figure 201		67	338443	Plate	2
50	226414	Adhesive	AR	68	338457	Spring	48
51	^b 1322048	Cover	2	69	366300	Locknut	2
52	^b 1322049	Plate	2				
53	^b 191605	Nut	4	^a		Last Used On S/N C117E-1628	
54	^b 1322046	Cover	4	^b		First Used On S/N C117E-1629	
55	^b 1322041	Screw	4	^c		Last Used On S/N C117E-1591	
56	171350	Chain Lubricant	AR	^d		First Used On S/N C117E-1592	
57	599737	Chain Wear Scale	AR	^e		With Dedicated Carriage	
58	^{gh} 221357	Locknut	8	^f		Last Used On S/N C117E-1589	
58	^k 221358	Locknut	8	^g		First Used On S/N C117E-1590	
59	^g 318352	Strip (Seal)	AR	^h		Last Used On S/N Pending Per ECN 59825	
60	179823	Guide (ISO)	8	^k		First Used On S/N Pending Per ECN 59825	
61	338484	Guide (Universal Long)	4	^m		Last Used On Attachment S/N Pending Per ECN 70171	
62	338485	Guide (Universal Short)	4	ⁿ		First Used On Attachment S/N Pending Per ECN 70171	
63	^k 1383504	Hex Head Bolt	4				

ELECTRICAL DEDICATED CARRIAGE (Figure 181)



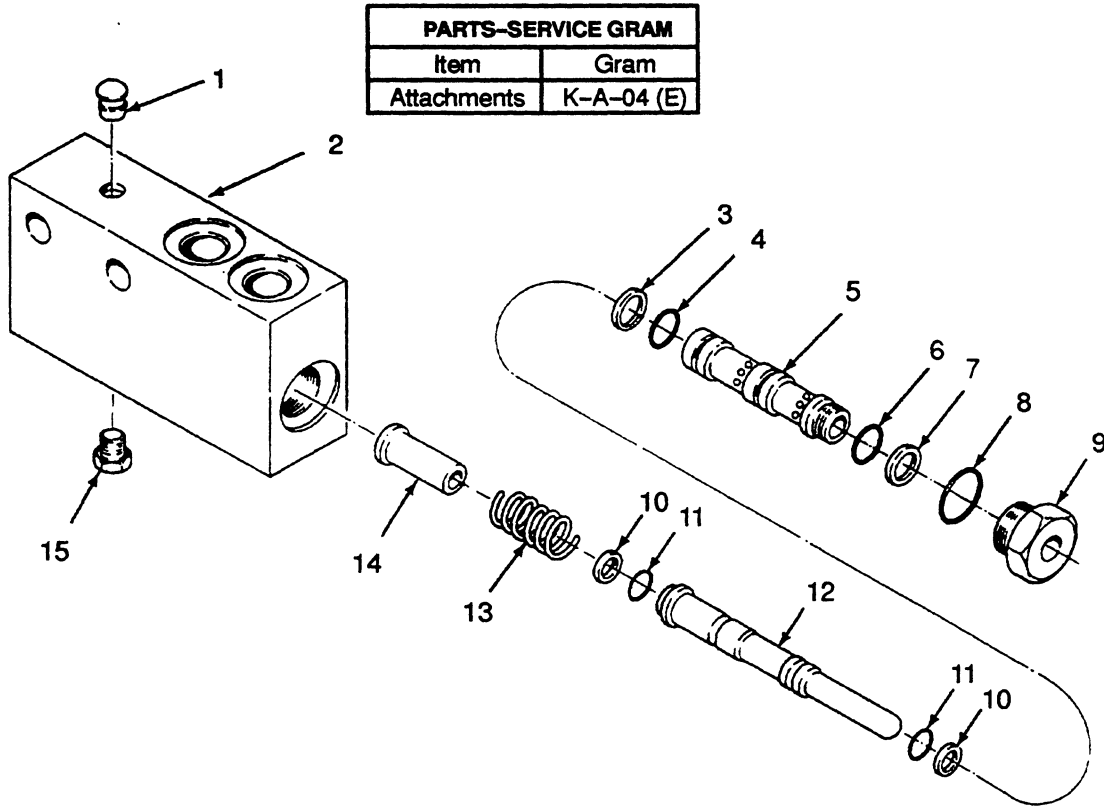
PARTS-SERVICE GRAM	
ITEM	GRAM
Attachments	K-A-4 (E)

TWIST LOCK FIRST USED ON S/N C117E-1629 (Figure 186)



PARTS-SERVICE GRAM	
ITEM	GRAM
Attachments	K-A-4 (E)

INTERLOCK VALVE TWIST LOCK (Figure 194)

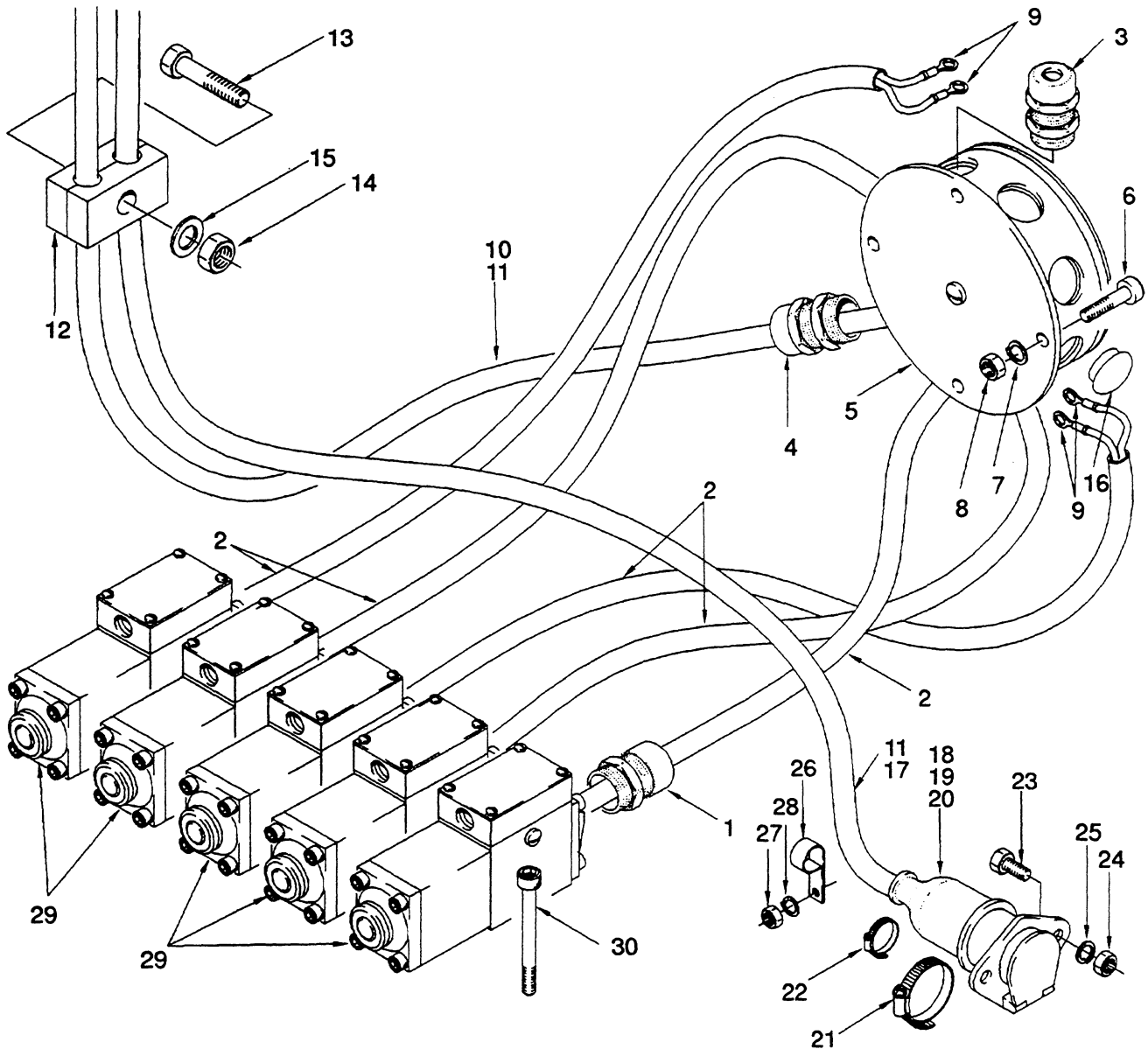


PARTS-SERVICE GRAM	
Item	Gram
Attachments	K-A-04 (E)

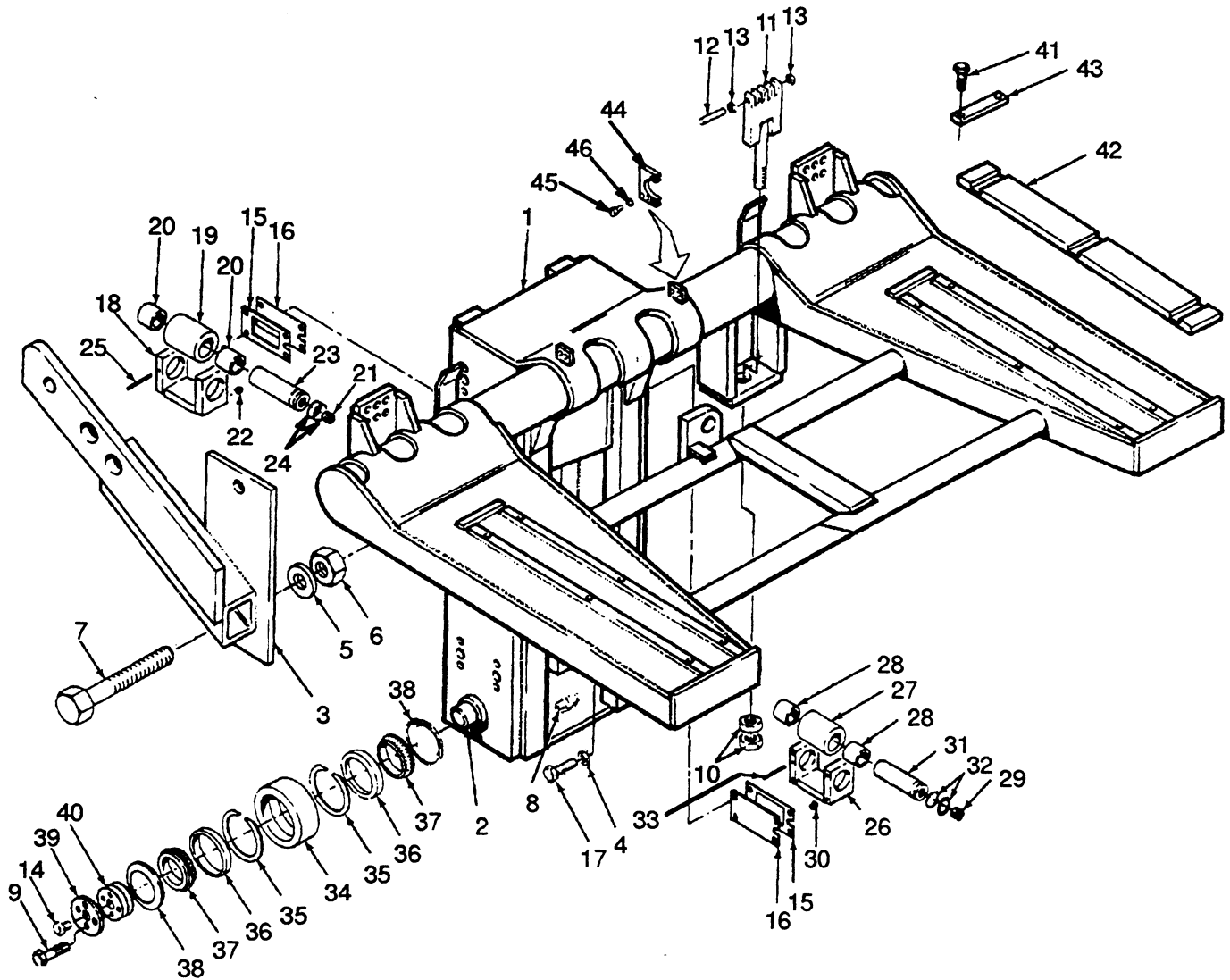
REF	PART NO.	NAME OF PART	QTY	REF	PART NO.	NAME OF PART	QTY
	338460	Interlock Valve	4	9		Plug	1
1	1312402	Breather	1	10 ^a		Back-Up Ring	2
2		Body	1	11 ^a		O-Ring	2
3 ^a		Back-Up Ring	1	12		Spool	1
4 ^a		O-Ring	1	13		Spring	1
5		Sleeve	1	14		Guide	1
6 ^a		O-Ring	1	15	222442	Fitting	1
7 ^a		Back-Up Ring	2				
8 ^a		O-Ring	1				

^a Included In Seal Kit 359762

ELECTRICAL SIDESHIFT CARRIAGE (Figure 206)



DEDICATED CARRIAGE (Figure 213)



NUMERICAL INDEX

PART NO	REF FIGURE NO	PART NO	REF FIGURE NO	PART NO	REF FIGURE NO	PART NO	REF FIGURE NO	PART NO	REF FIGURE NO
18127	181 26		100 5		86 15	18905	51 45	53772	58 19
18128	123 15	18508	101 14		87 15	18909	109 46		59 13
	126 25		178 31	18558	111 28	18973	84 6	53773	58 19
18202	186 7		179 46		112 13	19596	171 7		59 13
18334	193 3		180 5	18588	8 6		172 7	53774	58 19
18423	44 30	18509	43 22		81 2	19968	169 32		59 13
18425	134 39		178 79		109 4		173 21	53775	58 19
	135 39		179 46		110 4		173 25		59 13
18453	192 3		185 25		117 9		204 6	53776	58 19
18460	213 45		186 32		143 30		204 27		59 13
18462	192 5	18513	179 47		182 33		213 25	53777	58 19
18465	93 21		180 35	18589	3 57		213 33		59 13
	113 2	18515	13 27		175 15	21420	90 38	53778	58 19
	177 19		45 54		181 1		91 43		59 13
	181 7		87 32		187 29	24092	90 50	53779	58 19
	206 23		93 43		188 2		93 28		59 13
18466	45 4		94 45	18590	144 7		94 24	54624	90 48
18468	93 20		117 6		145 3		98 19		93 30
	94 26		118 5		146 7	26283	45 34		94 23
18470	12 34		124 5		147 3	26801	94 16		98 35
	122 10		132 20		180 38	27133	164 20	55146	109 8
	123 3		141 3		206 13	29344	94 49		110 8
	179 35		142 7	18591	16 11	29582	90 51		191 6
	182 25		185 25		203 11		93 26	55407	187 7
	183 9		186 33	18592	147 33		94 22	57541	189 10
18471	8 19		196 7	18593	111 30		98 20	57568	79 11
	153 2		198 7	18594	190 28	29583	90 49	57618	208 15
	156 2	18516	86 34	18595	203 14		93 29	57664	109 22
	195 6		114 25	18601	186 3		94 21		110 22
	199 6		133 10	18603	177 23		98 18		132 24
18473	129 3		141 2	18606	143 2	30109	58 48	59229	169 30
	130 3		142 8	18607	173 7		59 34		173 20
	183 9		207 41		204 23	30124	81 16		173 28
18475	93 25	18518	196 6		213 17	34795	201 14		204 30
	183 3		198 6	18613	164 19	39347	72 43		204 36
18477	94 31		207 32	18619	176 4	39766	63 51		213 24
18480	124 8	18524	207 31		177 3		134 14		213 32
	152 16	18530	178 73	18623	177 23	39767	135 14	60563	208 4
18496	93 41		179 78	18624	17 20	40736	79 6	60592	177 21
	94 43		196 6	18631	15 26	42958	36 2	61056	109 12
18497	87 31	18535	170 11		176 5		56		110 12
	132 4		184 16		177 4	46388	164 4	63105	79 12
	132 20	18537	193 6	18633	69 1	46698	63 44	63108	95 25
	182 21	18538	133 15	18635	15 12	53086	164 10		96 13
18498	13 26	18540	182 17	18665	169 13	53092	84 7	63655	208 8
	45 53		197 5		170 8	53157	211 2	63899	36 19
	101 7	18542	131 22	18670	81 14	53769	58 19	67353	36 20
	117 5	18549	109 16	18707	101 39		59 13	69240	125 14
	182 34		131 4	18769	200 8	53770	58 19	69727	109 42
18499	90 9		162 21		201 15		59 13	71368	16 8
	91 63	18551	161 2	18797	124 4	53771	58 19	75649	132 5
	99 13	18557	36 16	18901	6 39		59 13	75775	79 7

NUMERICAL INDEX

PART NO	FIGURE	REF NO	PART NO	FIGURE	REF NO	PART NO	FIGURE	REF NO	PART NO	FIGURE	REF NO	PART NO	FIGURE	REF NO
806573	202	2		93	36	815877	92	30	897260		2	1301001	6	35
806589	203	17	815655	178	75	815932	203	18	897261		2	1301020		9
806610	109	3		179	80	815933	112	11	897359		2	1301026	4	18
	110	3	815656	178	76		170	19	897361		2	1301027	4	19
806667	12	22		179	81	815934	112	17	897362		2	1301050	11	19
806668	8	58	815657	178	77		170	18	897363		2	1301105	8	52
806671	8	13		179	82	815936	130	18	897365		2	1301112	5	2
806673	8	59	815658	178	78		135	30	897367		2	1301121	6	17
806675	82	46		179	83		144	31	897369		2	1301127	6	5
	86	40	815661	3	61	815937	83	45	897370		2	1301156	46	39
806676	187	27	815662	3	61		87	42	897371		2	1301157	46	38
806677	187	26	815670	114	17	815939	126	14	897375		2		46	41
806678	109	15		158			144	13	897376		2	1301177	5	12
806684	109	30	815682	8	71		145	34	897399		2		6	34
806686	133	4	815683	125	22	815959	8	27	897400		2		92	31
806688	111	46		129	10	815961	124	23	897432		2	1301179	8	53
806689	121	5	815684	129	9		126	30	897433		2	1301181	3	34
	143	23	815685	121	17	815969	110	48	910030		2	1301184	3	41
806690	121	20		123	23	816015	113	13	910031		2	1301188	6	16
	133	16	815762	124	31	816053	110	49	910072		2	1301189	5	14
806691	125	15		153	14	816055	113	14	910091		2	1301224	46	36
806692	125	22	815763	115	16	816057	87	24	910101		2	1301235	46	10
806693	86	18		124	28	816073	108	31	910102		2	1301254	3	21
806695	109	25	815764	115	15	816074	101	37	910110		2	1301255	5	16
	110	25		124	20	816075	101	36	910442		2	1301260	4	24
815560	143	10	815765	126	29	816105	108		910457		2	1301261	4	24
815561	109	29		153	7	816128	81	30	910466		2	1301263	4	34
815563	45	79	815767	130	7	816130	147	35	918924	60	29	1301264	4	35
815579	91	44	815768	124	32	816131	112	44	918925	60	30	1301265	4	38
815583	187	24		130	9	816175	172	10	1151345	115	22	1301282	46	21
815587	187	25	815769	130	6	816177	172	9	1151996	63	29	1301284	3	26
815593	109	10	815770	94	40	816178	172	11	1152816	45	34		6	42
815596	182	4		130	11	816179	172		1194251	169	43		46	16
815597	182	51	815773	124	3	816185	172			173	9		46	33
815602	44	16	815775	126	4	816186	172			204	10		46	37
815604	44	27	815801	182	27	816187	172			213	13	1301286	5	15
815605	109	30	815808	17	18	816188	172		1194259	104	29	1301292	5	19
815629	114	23	815809	17	19	816189	172		1195634	115	22	1301293	5	20
	129	11	815822	12	45	816218	172		1199286	150	13	1301296	46	14
815630	129	9	815829	118	2	816246	172	12	1199287	150	12	1301297	4	33
815631	123	16	815830	118	3	852498	2		1300094	14	10	1301299	45	83
815632	125	22	815853	44	54	852690	2		1300117	82	14	1301309	4	36
	129	10	815858	93	57	852695	2			83	14	1301310	6	7
815633	114	10	815859	93	52	852800	2		1300165	82	33	1301323	6	4
	129	7		122	24	852802	2			83	33	1301326	6	1
815634	93	40	815860	93	4	852930	2		1300231	56		1301341	46	24
	129	6		93	56	857050	2		1300757	47	17	1301342	46	44
815635	129	8	815866	118	4	857056	2		1300978	3	3		47	25
815636	114	3	815870	94	41	857063	2		1300979	3	3	1301371	3	35
815645	92	5		152	14	857064	2		1300980	3	4	1301372	3	36
815647	108	32	815871	94	37	857069	2		1300995	3	2	1301373	3	37
815653	92	27		115	21	857098	2		1300996	3	2	1301374	3	38

CLICK HERE TO **DOWNLOAD** THE COMPLETE MANUAL

- Thank you very much for reading the preview of the manual.
- You can download the complete manual from: www.heydownloads.com by clicking the link below



- Please note: If there is no response to CLICKING the link, please download this PDF first and then click on it.

CLICK HERE TO **DOWNLOAD** THE COMPLETE MANUAL