

PARTS MANUAL

**ELECTRIC
E45-65XM2
(F108)**

CUSTOMER EDITION

HYSTER

CLICK HERE TO **DOWNLOAD** THE COMPLETE MANUAL

- Thank you very much for reading the preview of the manual.
- You can download the complete manual from: www.heydownloads.com by clicking the link below



- Please note: If there is no response to CLICKING the link, please download this PDF first and then click on it.

CLICK HERE TO **DOWNLOAD** THE COMPLETE MANUAL

ABBREVIATIONS QUICK REFERENCE SHEET

Listed below are abbreviations used in parts manuals to denote the following expressions:

TERM	DEFINITION	TERM	DEFINITION
Amp	Amperes	FRE	Freezer Environment
AR	As Required	in.	inches
BDI	Battery Discharge Indicators	LPG	Liquefied Petroleum Gas
BWI	Brush Wear Indicator	MAP	Manifold Absolute Pressure
CE	Communicator End	mm	millimeters
CRE	Corrosive Environment	MSTS	Microprocessor Spark Timing System
D/B	Date Break	NPT	National Pipe Threads
dbA	Decibel "A" Scale	O/S	Oversize
DE	Drive End	PTO	Power Take Off
ECH	Empty Container Handler	RPM	Revolutions per Minute
ECH-3	Empty Container Handler - 3 High Stacking	S/N	Serial Number
ECH-4	Empty Container Handler - 4 High Stacking	TMM	Truck Management Module
ECH-5	Empty Container Handler - 5 High Stacking	UL Type D	Diesel-Powered Safety Rating
ECH-6	Empty Container Handler - 6 High Stacking	UL Type DS	Diesel-Powered Safety Rating
ECH-7	Empty Container Handler - 7 High Stacking	UL Type E	Battery-Powered Safety Rating
ECM	Electronic Control Module	UL Type EE	Battery-Powered Safety Rating
ECN	Engineering Change Notice	UL Type ES	Battery-Powered Safety Rating
EEPROM	Electrically Erasable Programmable Read Only Memory	UL Type G	Gasoline-Powered Safety Rating
EPA	US Environmental Protection Agency	UL Type GS	Gasoline-Powered Safety Rating
EPROM	Electrically Programmable Read Only Memory	UL Type LP	Gas-Powered Safety Rating
		UL Type LPS	LP Gas-Powered Safety Rating
		U/S	Undersize
		UL	Underwriters Laboratory
		V	Volts

**SECTION 1
FRAME**

DESCRIPTION	PAGE
COUNTERWEIGHT	1-16
COVERS	1-6
FRAME	1-2
FULL SUSPENSION SEAT	
SHEET 1 OF 2	1-26
SHEET 2 OF 2	1-30
HOOD	1-10
LABELS	1-32
LOAD BACKREST EXTENSION	1-36
NON-SUSPENSION SEAT	1-18
OVERHEAD GUARD	1-14
SUSPENSION SEAT	1-22

HOOD**KEY:****A: 27.55 in. Battery Compartment****B: 33.38 in. Battery Compartment****C: 39.96 in. Battery Compartment**

ITEM	PART NO.	DESCRIPTION	QTY		
			A	B	C
1	b 1388467	Hood	1
1	d 1501434	Hood	1
1	b 1455108	Hood (Without Side Flange) (Optional)	1
1	d 1501435	Hood (Without Side Flange) (Optional)	1
1	b 1388468	Hood	1	..
1	d 1501436	Hood	1	..
1	b 1455109	Hood (Without Side Flange) (Optional)	1	..
1	d 1501437	Hood (Without Side Flange) (Optional)	1	..
1	b 1388469	Hood	1
1	d 1501438	Hood	1
1	b 1455110	Hood (Without Side Flange) (Optional)	1
1	d 1501439	Hood	1
2	1383680	Spacer	4	4	4
3	1347088	Screw (With Raised Hood)	2	2	2
3	367251	Screw (Without Raised Hood)	2	2	2
4	15155	Lockwasher	4	4	4
5	15055	Nut (With Raised Hood)	2	2	2
5	15055	Nut (Without Raised Hood)	4	4	4
6	1385776	Hood Frame Wldmt (With Seat Brake)	1
6	1385786	Hood Frame Wldmt (Without Seat Brake)	1
6	1385778	Hood Frame Wldmt (With Seat Brake)	1	..
6	1385788	Hood Frame Wldmt (Without Seat Brake)	1	..
6	1385780	Hood Frame Wldmt (With Seat Brake)	1
6	1385790	Hood Frame Wldmt (Without Seat Brake)	1
7	1364729	Spacer (With Raised Hood)	2	2	2
8	16394	Capscrew (With Raised Hood)	2	2	2
9	12892	Snap Ring	2	2	2
10	292515	Capscrew	2	2	2
11	2034906	Washer	2	2	2
12	293601	Capscrew (With Raised Hood)	2	2	2
13	1377378	Bracket (With Raised Hood)	1	1	1
14	a 293612	Capscrew (With Raised Hood)	2	2	2
14	c 293613	Capscrew (With Raised Hood)	2	2	2
15	292681	Lockwasher (With Raised Hood)	2	2	2
16	296173	Capscrew	4	4	4
17	316826	Nut	4	4	4
18	320159	Washer	2	2	2
19	18515	Washer	2	2	2
20	292682	Lockwasher	4	4	4
21	1377674	Shaft	1	1	1
22	1377670	Spring	1	1	1
23	15125	Washer	1	1	1
24	1364538	Spring	1	1	1
25	1544196	Handle	1	1	1
26	1378975	Pin	1	1	1

**FULL SUSPENSION SEAT
SHEET 2 OF 2**

ITEM	PART NO.	DESCRIPTION	QTY
	1489167	Seat-Full Suspension (Fabric)	1
	1678474	Kit-Seat (Fabric) (Alternate Part)	1
	1489166	Seat-Full Suspension (Vinyl)	1
	1678473	Kit-Seat (Vinyl) (Alternate Part)	1
1	1467523	Kit-Boot	1
2	1467524	Kit-Bearing	1
3	1467525	Kit-Bumper	1
4	1467526	Kit-Shaft and Bearing	1
5	1467527	Kit-Weight Adjuster Indicator	1
6	1467531	Knob	1
7	1467529	Kit-Spring	1
8	1470160	Scissor	1
9	1483828	Kit-Gas Spring (Mounted to the rear of the seat)	1
10	18498	Capscrew	4
11	204114	Spacer	4
12	2075997	Gas Spring	1
13	893818	Wire	1

SECTION 2 ELECTRICAL SYSTEM

DESCRIPTION	PAGE
BATTERY CONNECTOR	2-26
CONTACTOR	
1A AND RB	2-20
CONTACTOR PANEL	
CONTACTOR HYDRAULIC	2-16
CONTROL	2-14
CONTACTOR STEERING	2-18
CONTROL PANEL	
CONTACTOR HYDRAULIC	2-10
TRANSISTOR HYDRAULIC	2-12
ELECTRICAL SYSTEM	
CONTACTOR HYDRAULIC	2-2
TRANSISTOR HYDRAULIC	2-6
INSTRUMENT PANEL	2-24
WIRE HARNESS	
CONTROL VALVE SWITCH	2-32
DASH	2-28
LIGHT	2-29
MAIN	2-30
PRESSURE SWITCH WITH LED LIGHTS - OPTIONAL	2-34
WIRE HARNESS (LIGHTS)	
RELAY WITH LED LIGHTS - OPTIONAL	2-36

**CONTROL PANEL
CONTACTOR HYDRAULIC**

ITEM	PART NO.	DESCRIPTION	QTY
1	1459800	Controller (Traction)	1
1	1465757	Plug	1
2	a 1459777	Control Panel (36/48 Volt) (Control) (☞Figure 2-5).....	1
2	b 1466921	Control Panel (36/48 Volt) (Control) (☞Figure 2-5).....	1
3	239503	Nut	17
4	320157	Washer	19
5	292681	Lockwasher	19
6	296012	Capscrew	16
7	1459796	Power Cable	1
8	1459659	Fuse Block	1
9	1459661	Spacer	1
10	325809	Fuse (325 Amp)	1
11	325810	Fuse (500 Amp)	1
12	1364262	Fuse (40 Amp)	1
13	136681	Capscrew	1
14	359819	Label (Fuse, 325 Amp)	1
15	359820	Label	1
16	1364270	Label (Fuse, 40 Amp)	1
17	1330938	Contactors (☞Figure 2-7).....	1
18	302018	Screw	2
19	292678	Lockwasher	2
20	198956	Washer	2
21	292512	Capscrew	1
22	1459780	Control Panel (36/48 Volt) (Contactors Hydraulics) (☞Figure 2-6).....	1
23	1459769	Buss Bar	1
24	1459772	Buss Bar	1
25	292678	Lockwasher	2
26	2038829	Drive Module	1
27	302026	Screw	2
28	320154	Washer	4
29	302019	Screw	2

FOOTNOTES:

a → S/N F108V16636 INC. 16643, 16653,
16654-16656 EXC. 16602-16604, 16620-16622,
16627-16629

b S/N F108V16637 → INC. 16602-16604,
16620-16622, 16627-16629 EXC. 16643, 16653,
16654-16656

**CONTACTOR
1A AND RB**

ITEM	PART NO.	DESCRIPTION	QTY
	389184	Contactors	1
1	1300292	Base (Magnet)	1
2	1300276	Coil	1
3	388238	Coil and Frame	1
4	1300945	Contact (Fixed) (Stationary)	2
5	388235	Clamp	2
6	271892	Spring	1
7	388230	Armature	1
8	388234	Base	1
9	388233	Carrier	1
10	388231	Bushing	1
11	1300278	Contact (Moving)	1
12	388232	Spring Seat	1
13	271893	Spring	1
14	274075	Retainer	1
15	Washer	1
16	2308208	Locknut	1
	996111	Kit-Contact	1

**WIRE HARNESS
MAIN**

ITEM	PART NO.	DESCRIPTION	QTY
	a 2035776	Wire Harness	1
	b 2045891	Wire Harness	1
1	2035275	Connector	2
2	1330421	Connector	3
3	1330427	Connector	3
4	1330419	Connector	1
5	1330424	Connector	1
6	1330420	Connector	1
7	1330426	Connector	1
8	1351070	Connector Body	1
9	1351076	Seal	1
10	1352563	Connector Body	1
11	1340785	Connector Body	1
12	1330422	Connector	1
13	1330428	Connector	1
14	2007554	E-Spade	1
15	1306271	Terminal	2
16	1306270	Terminal	3
17	1352564	Terminal	2
18	1351071	Terminal	2
19	1340958	Terminal	11
20	1330439	Plug	1
21	248196	Terminal	15
22	1330438	Terminal (Socket)	22
23	148611	E-Ring	5
24	2035276	Connector	36
25	148610	E-Ring	3
26	148648	Terminal	2
27	206028	E-Ring	2
	222523	Heat Shrink	AR
	381919	Braiding	AR

FOOTNOTES:

a → S/N F108V24517Y EXC. 24233-24234,
24266-24269, 24276-24277, 24279-24282,
24285, 24287-24290, 24304-24402, 24404-24405

b S/N F108V24518Y → INC. 24233-24234,
24266-24269, 24276-24277, 24279-24282,
24285, 24287-24290, 24304-24402, 24404-24405

**SECTION 3
DRIVE UNIT**

DESCRIPTION	PAGE
DRIVE AXLE	3-2
DRIVE UNIT INSTALLATION	
E/EE/ES AND CRE/FRE	3-14
TRACTION MOTOR	
11.0-INCH - WITHOUT BWI	3-20
11.0-INCH - WITH BWI	3-22
9-INCH - WITHOUT BWI	3-16
9-INCH - WITH BWI	3-18
TRANSMISSION AND DIFFERENTIAL	
→ T56M64524	3-6
T56M64525 →	3-10

TRANSMISSION AND DIFFERENTIAL
(T56M64525 →)

ITEM	PART NO.	DESCRIPTION	QTY
	1457128	Transmission Assy	1
1	325549	Shim (0.020 in.)	AR
1	325550	Shim (0.005 in.)	AR
1	325551	Shim (0.007 in.)	AR
2	324875	Spacer	1
3	1351949	Gear	1
4	292681	Lockwasher	12
5	136749	Screw	12
6	1457856	Cover	1
7	264159	Adhesive	AR
8	325552	Spacer	1
9	1457127	Housing	1
9	1457126	Housing	1
10	334481	Dowel	2
11	234038	Dowel	4
12	334418	Bearing Cap	2
13	193164	Washer	4
14	221588	Capscrew	4
15	334456	Nut	2
16	1338730	Bearing Set	2
17	1383475	Differential	1
18	1383476	Housing (Flange Half)	1
18	1383478	Differential Housing	1
19	1383482	Washer	4
20	1383481	Pinion	4
21	1383480	Gear	2
22	1383457	Washer	2
23	261379	Washer	8
24	221521	Capscrew	8
25	1383483	Spider	2
26	334580	Washer	12
27	92942	Bolt	12
28	334447	Lockplate	2
29	1483410	Gear and Pinion	1
30	346842	Shim (0.014 in.)	AR
30	346843	Shim (0.015 in.)	AR
30	346844	Shim (0.016 in.)	AR
30	346845	Shim (0.020 in.)	AR
30	346846	Shim (0.022 in.)	AR
30	346847	Shim (0.025 in.)	AR
31	1338729	Bearing Set	1
32	15032	Nut	1
33	1616225	Screw	1
34	1612589	Button	1
35	1374846	Bearing	2
36	1354975	Gear	1
37	110922	Shim (0.005 in.)	AR
37	110923	Shim (0.007 in.)	AR
37	110924	Shim (0.020 in.)	AR
38	324871	Retainer	1

**TRACTION MOTOR
11.0-INCH – WITHOUT BWI**

ITEM	PART NO.	DESCRIPTION	QTY
	2038114	Traction Motor	1
1	1461829	Kit-Armature	1
2	1461812	Kit-Fan	1
3	1461830	Bearing Set	1
3	1374343	Ball Bearing (DE)	1
3	364576	Ball Bearing	1
4	1461831	Housing	1
5	1461832	Commutator	1
6	1461816	Kit-Brush	1
7	1462276	Brush Holder	1
7	1495984	Brush Spring	8
8	1461834	End Head	1
9	1461835	Kit-Drive End	1
9	364584	Seal	1
10	1554165	Kit-Motor Band (Vented) (Type E)	1

STEERING AXLE

(→ S/N F108V18955X INC. 18931, 18938, 18944-18947, 18953-18954, 19007-19008 EXC. 18918-18920)

ITEM	PART NO.	DESCRIPTION	QTY
1	324802	Steering Axle	1
2	21189	Nut	2
3	185853	Spindle (RH)	1
4	329222	Steering Cylinder	1
5	296426	Washer	4
6	316828	Nut	4
7	58903	Snap Ring	4
8	1568271	Pin	2
9	185869	Boot	2
10	119236	Clamp	2
11	127045	Clamp (Hose)	2
12	185870	Tie Rod Assembly	2
12	185872	Bushing	1
13	15225	Cotter Pin	2
14	13963	Grease Fitting	2
15	293628	Capscrew	6
16	369812	Bearing Cap	2
17	185856	Shim (0.005 in.)	AR
17	185857	Shim (0.007 in.)	AR
17	185858	Shim (0.020 in.)	AR
18	39678	O-Ring	2
19	1374823	Bearing Set	2
19	135657	Bearing Cone	1
19	135658	Bearing Cup	1
20	266733	Seal	2
21	a 1338727	Bearing Set (One On Each Spindle)	2
21	163971	Bearing Cup	1
21	328135	Bearing Cone	1
22	15225	Cotter Pin	2
23	69029	Cap	2
24	a 1383776	Nut	2
24	b 1461672	Nut	2
25	b 1461671	Washer	2
26	b 1461673	Bearing Set (One On Each Spindle)	2
26	1461670	Sleeve	1
26	183615	Bearing Cone	1
27	183614	Bearing Cup	2
27	183615	Bearing Cone	2
28	164639	Wear Sleeve	2
29	44542	Seal	2
30	185854	Spindle (LH)	1
31	153716	Seal	2
32	153717	Wear Sleeve	2
33	1374815	Bearing Set	2
33	156194	Bearing Cup	2
33	156195	Bearing Cone	2
34	185860	Plug	2
35	324858	Plate	2
36	320161	Washer	8
37	300937	Nut	4

BRAKE PEDAL LINKAGE

ITEM	PART NO.	DESCRIPTION	QTY
1	1389330	Brake Pedal	1
2	66359	Bushing	2
3	292680	Washer	2
4	1340979	Tube Assy	1
5	15180	Washer	1
6	292576	Capscrew	1
7	316828	Nut	1
8	136985	Capscrew	1
9	136692	Nut	3
10	1347048	Master Cylinder (☞Figure 5-2).....	1
11	287860	Capscrew	2
12	1340998	Spring	1
13	1398007	Bolt	1
14	320159	Washer	4
15	302400	Nut	1
16	a 387867	Pressure Switch	1
16	b 1517939	Pressure Switch	1
17	1340902	Tube Assy	1
18	878833	Tube Assy	1
19	1343630	Rubber Pad	1
20	16168	Fitting	1
21	14899	Fitting	1
22	878834	Tube Assy	1
23	1518372	Bracket (Relay)	1
24	136985	Capscrew	1
25	292682	Lockwasher	1
26	320159	Washer	1
27	136692	Nut	1
28	1460442	Relay (12 Volt)	1
29	220289	Screw	2
30	197065	Washer	2
31	15151	Lockwasher	2
32	15049	Nut	2
33	2004005	Strap Clamp	4
34	1308349	Splice	1
35	222523	Heat Shrink	1
36	2067821	Wire Harness (☞Figure 5-11).....	1

FOOTNOTES:**a** → S/N F108V27916A**b** S/N F108V27917A →

**PARK BRAKE LINKAGE
SEAT ACTUATED (→ 7/2002)**

ITEM	PART NO.	DESCRIPTION	QTY
1	b 276297	Screw	1
2	1389327	Lever (With Raised Hood)	1
2	1389333	Lever (Without Raised Hood)	1
3	15006	Nut	4
4	1465197	Spacer (11 in. Motor)	4
5	139771	Ball Joint	3
6	15026	Nut	5
7	1379809	Rod	1
8	1340140	Plate	1
9	86936	Washer	1
10	325599	Cup	2
11	c 373614	Spring	1
12	374191	Rod	1
13	325601	Thrust Bearing	1
14	c 1457855	Plate	1
15	c 1364869	Lever (9 in. Motor)	1
15	c 1460150	Lever (11 in. Motor)	1
16	300937	Nut	1
17	320162	Washer	2
18	203606	Bushing	1
19	293650	Capscrew	1
20	c 1364873	Bracket (9 in. Motor)	1
20	c 1460158	Bracket (11 in. Motor)	1
21	136681	Capscrew	6
22	292681	Lockwasher	6
23	1340147	Spring	1
24	307343	Brake Assembly (☞ Figure 5-7).....	1
25	1340149	Spacer	2
26	1340148	Hub	1
27	361973	Spacer	1
28	292529	Capscrew	1
29	15156	Lockwasher	7
30	16870	Capscrew	4
31	16865	Nut	2
32	374160	Insulator	1
33	d 1301990	Brake Switch	1
33	e 1498407	Switch	1
34	220428	Screw	2
35	197064	Washer	1
36	d 1364442	Wire Harness	1
36	e 2046754	Wire Harness	1
37	355186	Nut	1
38	a 375481	Spring	1
39	18508	Capscrew	1
40	191941	Nut	1
41	1364273	Washer	2
42	15155	Lockwasher	1
43	53162	Lockwasher	2

ACCELERATOR

ITEM	PART NO.	DESCRIPTION	QTY
1	1340988	Accelerator Pedal (☞Figure 5-10).....	1
1	1377414	Monotrol Pedal (☞Figure 5-10).....	1
2	1340983	Bracket	1
3	1340985	Tube Assy	1
4	292521	Capscrew	1
5	320159	Washer	2
6	292682	Lockwasher	3
7	136692	Nut	3
8	176640	Bolt	2
9	1364281	Stop	2
10	251099	Loctite	AR
11	1335110	Switch	1
12	220312	Screw	4
13	197066	Washer	4
14	15163	Lockwasher	4
15	325799	Terminal	1
16	15039	Nut	4
17	296166	Capscrew	2
18	292681	Lockwasher	5
19	320157	Washer	3
20	239503	Nut	6
21	1340984	Plate	1
22	1354990	Sensor	1
23	915474	Insulator	1
24	1340989	Spring	1
25	214364	Capscrew	1
26	114312	Strap Clamp	1
27	287860	Capscrew	2

**HYDRAULIC PUMP
LOW NOISE**

ITEM	PART NO.	DESCRIPTION	QTY
	2034900	Pump	1
1	1459239	Cover	1
2	Body	1
3	1459378	Gear Set	1
4	Bushing	2
5	Bushing	2
6	Bushing (Center)	2
7	Drive Gear (Rear)	1
8	Driven Gear	2
9	Drive Gear (Front)	1
10	1459240	Flange	1
11	Seal (Body)	2
12	Seal (Bushing)	2
13	1459377	Bolt	4
14	Oil Seal	1
15	Snap Ring	1
16	26617	Woodruff Key	1
	1459238	Kit-Seal	1

HYDRAULIC MOTOR
OPEN CONSTRUCTION WITHOUT BWI – OPTIONAL (→ S/N F108V24373Y)

ITEM	PART NO.	DESCRIPTION	QTY
	1390292	Hydraulic Motor	1
1	1389470	Housing	1
2	17151	Capscrew	8
3	1326871	Nut (Plastic)	2
4	2034284	End Head (CE)	1
5	2050275	Brush Holder	1
6	2309528	Screw	4
7	2311308	Screw	10
8	2034307	Brush	8
9	1326868	Terminal	1
10	1326872	End Head (DE)	1
11	2302675	Ball Bearing	1
12	1389603	Armature	1
13	1389601	Bearing	1
14	2306090	Screw	8
15	1389598	Brush Spring	8
16	1389471	Fan	1
17	2307221	Spring	1
18	7882	Woodruff Key	1
19	1389472	Cover (Comm End, Vented) (CE)	1
20	220361	Screw	1
21	2303700	Nut	1
22	a 1326874	End Head	1
23	a 2050275	Brush Holder	1
24	a 2309528	Screw	4
25	a 1326868	Terminal	1
26	a 1326871	Nut	1
27	a 2311308	Screw	12
28	a 1326867	Brush	8

FOOTNOTES:

a Included With 2034284

HYDRAULIC MOTOR
CLOSED CONSTRUCTION (S/N F108V24374Y →)

ITEM	PART NO.	DESCRIPTION	QTY
	2045529	Pump Motor	1
1	1507427	Shield	1
2	1502092	Bearing	1
3	1502093	Snap Ring	1
4	1507425	Armature	1
5	1507426	Frame	1
6	1502094	Capscrew	6
7	1502095	Washer	6
8	1502097	Brush Holder	1
9	1502098	Capscrew	8
10	1502099	Screw	4
11	1502100	Washer	4
12	1502101	Lockwasher	4
13	1471800	Bearing	1
14	1502110	Spherical Washer (Wave Spring)	1
15	1507429	Shield	1
16	1507463	Key (Woodruff)	1
17	1507461	Connector	1
18	1507462	Brush	8
19	1507430	Housing	1
20	1502102	Connector	1
21	1502107	Nut	1
22	1502106	Washer	1
23	1502109	Nut	1
24	1502108	Spring	1
25	1502104	Bushing	2
26	1502105	Washer (Tooth Spring)	1
27	1502111	Screw	4
28	1502095	Washer	10
29	1504450	Cover (Commutator End)	1
30	220361	Screw	2
31	2303700	Nut	2
32	1504529	Cover (Drive End)	1
	ab 1618982	Bushing	1

FOOTNOTES:**a** Not Illustrated**b** Optional

HYDRAULIC TANK

ITEM	PART NO.	DESCRIPTION	QTY
1	1475444	Hydraulic Tank	1
1	1624333	Screen	1
2	2037318	Adapter	1
3	2037319	Dipstick	1
3	218612	Cap	1
4	16487	O-Ring	1
5	261157	Foam Tape	AR
6	a 246869	Plug (Magnetic)	1
6	b 246869	Plug (Magnetic)	1
7	1660080	Plate	1
8	1364280	Strip Seal	1
9	296174	Capscrew	2
10	1356113	Washer	2
11	292682	Lockwasher	3
12	136692	Nut	3
13	1302665	Breather (Optional)	1
13	1364709	Breather	1
14	78562	Hose	1
15	166857	Clamp	2
16	1364263	Clamp	1
17	15134	Washer	1

FOOTNOTES:

a → S/N F108V19137 INC. 19231, 19243,
19244-19246, 19249, 19255, 19257,
19261-19262, 19264, 19280, 19283-19284 EXC.
19062, 19067, 19073-19075, 19089

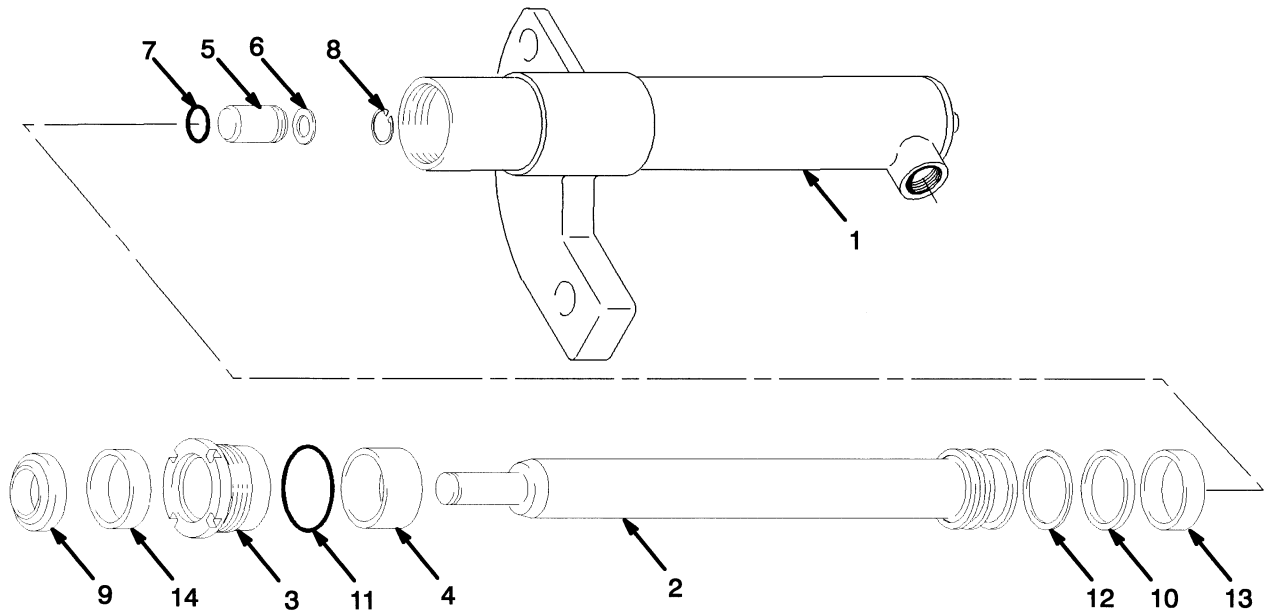
b S/N F108V19138 → INC. 19062, 19067,
19073-19075, 19089 EXC. 19231, 19243,
19244-19246, 19249, 19255, 19257,
19261-19262, 19264, 19280, 19283-19284

SECTION 7

MAST-TWO STAGE LIMITED FREE-LIFT

DESCRIPTION	PAGE
CARRIAGE	
SIX ROLLER - TWO STAGE LIMITED FREE-LIFT	7-16
CYLINDER	
E45-55XM2 - TWO STAGE LIMITED FREE-LIFT	7-9
FORK	
E45-55XM2 - TWO STAGE LIMITED FREE-LIFT	7-24
E60-65XM2 - TWO STAGE LIMITED FREE-LIFT	7-26
HEADER HOSE	
TWO STAGE LIMITED FREE-LIFT	7-20
INNER MAST	
TWO STAGE LIMITED FREE-LIFT	7-4
LIFT	
TWO STAGE LIMITED FREE-LIFT	7-6
MAIN LIFT CYLINDER	
E60-65XM2 - TWO STAGE LIMITED FREE-LIFT (→ S/N B562V03081)	7-11
E60-65XM2 - TWO STAGE LIMITED FREE-LIFT (S/N B562V03082 →)	7-13
MAST INSTALLATION	
TWO STAGE LIMITED FREE-LIFT	7-18
OUTER MAST	
TWO STAGE LIMITED FREE-LIFT	7-2

MAIN LIFT CYLINDER (FIGURE 7-5)
E60-65XM2 — TWO STAGE LIMITED FREE-LIFT (→ S/N B562V03081)



HP170261

MAIN LIFT CYLINDER
E60-65XM2 – TWO STAGE LIMITED FREE-LIFT (→ S/N B562V03081)

LEFT HAND

ITEM	DESCRIPTION 1 2 3 4	LIFT HEIGHT TO BOTTOM OF FORKS	
		3159 mm (124.4 in.)	3659 mm (144.1 in.)
	Mast Group Number	B562 3159	B562 3659
	Cylinder Group Number	8600209	8600214
	Cylinder Assy	1341509	1341514
1	Tube Wldmt- Cylinder	1355366	1355390
2	Cylinder Rod	1355367	1355391
4	Spacer	1355285	1355285

**HEADER HOSE
TWO STAGE LIMITED FREE-LIFT**

E45-55XM2

ITEM	DESCRIPTION 1 2 3 4	LIFT HEIGHT TO BOTTOM OF FORKS			
		2093 mm (82.4 in.)	2992 mm (117.8 in.)	3292 mm (129.6 in.)	3792 mm (149.3 in.)
	Mast Group Number	B507 2093	B507 2992	B507 3292	B507 3792
1	Hose Assy	1398477	1368313	1369606	1369611

E60-65XM2

ITEM	DESCRIPTION 1 2 3 4	LIFT HEIGHT TO BOTTOM OF FORKS	
		3159 mm (124.4 in.)	3659 mm (144.1 in.)
	Mast Group Number	B562 3159	B562 3659
1	Hose Assy	1369606	1369611

KEY:

A: Three Function

B: Four Function

ITEM	PART NO.	DESCRIPTION	QTY	
			A	B
1	c	Hose Assy	2	4
2	136704	Capscrew	2	4
3	292508	Capscrew	4	8
4	1345412	Bracket (RH)	1	1
4	1345413	Bracket (LH)	1
5	313828	Nut	6	12
6	1360549	Spacer	1	2
7	1360548	Stubshaft	1	2
8	1494017	Hose Sheave	1	2
9	1345190	Washer	1	2
10	292683	Lockwasher	1	2
11	292533	Capscrew	1	2
12	1360386	Clamp	1	2
13	1354919	Bracket (RH)	1	1
13	1354921	Bracket (LH)	1
14	292502	Capscrew	2	4
15	313805	Nut	2	4
16	1354922	Hose Assy (RH)	2	2
16	1354904	Hose Assy (LH)	2
17	1345348	Clamp	2	4
18	1353530	Hose Clamp	4	8
19	1360507	Clamp	2	4
20	a 1353530	Hose Clamp	1	2
20	b 1353530	Hose Clamp	1	2
21	a 1360507	Clamp	1	2

SECTION 8 MAST-THREE STAGE FULL FREE-LIFT

DESCRIPTION	PAGE
CARRIAGE	
SIX ROLLER - THREE STAGE FULL FREE-LIFT	8-26
FORK	
E45-55XM2 - THREE STAGE FULL FREE-LIFT	8-34
E60-65XM2 - THREE STAGE FULL FREE-LIFT	8-36
FREE-LIFT	
E45-55XM2 - THREE STAGE FULL FREE-LIFT	8-12
E60-65XM2 - THREE STAGE FULL FREE-LIFT	8-16
FREE-LIFT CYLINDER	
THREE STAGE FULL FREE-LIFT	8-22
HEADER HOSE	
THREE STAGE FULL FREE-LIFT	8-30
INNER MAST	
THREE STAGE FULL FREE-LIFT	8-6
INTERMEDIATE MAST	
THREE STAGE FULL FREE-LIFT	8-4
MAIN CYLINDER	
THREE STAGE FULL FREE-LIFT	8-19
MAIN LIFT	
THREE STAGE FULL FREE-LIFT	8-8
MAST INSTALLATION	
THREE STAGE FULL FREE-LIFT	8-28
OUTER MAST	
THREE STAGE FULL FREE-LIFT	8-2

**MAIN CYLINDER
THREE STAGE FULL FREE-LIFT**

KEY:

A: E45-55XM2

B: E60-65XM2

ITEM	PART NO.	DESCRIPTION	QTY	
			A	B
	b	Cylinder Assy	1	1
1	b	Tube Wldmt-Cylinder	1	1
2	b	Cylinder Rod	1	1
3	2091257	Gland	1	..
3	2091259	Gland	1
4	b	Spacer	1	1
5	257913	Check Valve	1	1
6	297531	Washer	1	1
7	187388	Snap Ring	1	1
8	1319668	Rod Wiper	1	1
9	2013075	Rod Seal	1	..
9	334156	Rod Seal	1
10	92861	O-Ring	1	..
10	59229	O-Ring	1
11	322824	Back-Up Ring	1	..
11	335012	Back-Up Ring	1
12	322902	Wear Ring	1	..
12	1356751	Wear Ring	1
13	190580	O-Ring	1	1
14	1356749	Rod Seal	1	1
15	1360127	Piston Ring	1	..
15	1356748	Piston Ring	1
	a 322824	Back-Up Ring	1	1
	a 322902	Wear Ring	1	1
	1355497	Kit-Seal	1	..
	1355714	Kit-Seal	1

FOOTNOTES:

a Not Illustrated

b Refer to Table

**HEADER HOSE
THREE STAGE FULL FREE-LIFT**

E45-55XM2

ITEM	DESCRIPTION 1 2 3 4	LIFT HEIGHT TO BOTTOM OF FORKS				
		4310 mm (169.7 in.)	4760 mm (187.4 in.)	5060 mm (199.2 in.)	5510 mm (216.9 in.)	5810 mm (228.7 in.)
		Mast Group Number	B508 4310	B508 4760	B508 5060	B508 5510
1	Hose Assy	d1376127	d1345581	d1368446	d1376163	d1376166

E60-65XM2

ITEM	DESCRIPTION 1 2 3 4	LIFT HEIGHT TO BOTTOM OF FORKS			
		4118 mm (162.1 in.)	4568 mm (179.8 in.)	4868 mm (191.7 in.)	5318 mm (209.4 in.)
		Mast Group Number	B563 4118	B563 4568	B563 4868
1	Hose Assy	d1376127	d1345581	d1368446	d1376163

KEY:

A: Three Function

B: Four Function

ITEM	PART NO.	DESCRIPTION	QTY	
			A	B
1	c	Hose Assy	2	4
2	a 1381771	Bracket	1	1
2	b 1381772	Bracket	1	1
3	316826	Nut	1	2
4	1353530	Hose Clamp	4	8
5	1360507	Clamp	2	4
6	1354922	Hose Assy (RH)	2	2
6	1354904	Hose Assy (LH)	2
7	136749	Screw	8	10
8	313828	Nut	9	12
9	1345199	Hose Guide	2	4
10	1345204	Snap Ring	2	4
11	1360549	Spacer	1	2
12	1362387	Stubshaft	1	2
13	1494017	Hose Sheave	1	2
14	1345190	Washer	1	2
15	1390182	Nut	1	2
16	292533	Capscrew	1	2
17	1360386	Clamp	1	2
18	1354906	Bracket (RH)	1	1
18	1354907	Bracket (LH)	1
19	292534	Capscrew	1	2
20	293795	Capscrew	4	8
21	1360507	Clamp (5810 mm)	1	2
22	1643405	Hose Clamp	1	2
23	1360538	Tube Assy	1	2

SECTION 9 MAST-TWO STAGE FULL FREE-LIFT

DESCRIPTION	PAGE
CARRIAGE	
SIX ROLLER - TWO STAGE FULL FREE-LIFT	9-28
FORK	
E45-55XM2 - TWO STAGE FULL FREE-LIFT	9-36
E60-65XM2 - TWO STAGE FULL FREE-LIFT	9-38
FREE-LIFT	
E45-55XM2 - TWO STAGE FULL FREE-LIFT	9-8
E60-65XM2 - TWO STAGE FULL FREE-LIFT	9-12
FREE-LIFT CYLINDER	
TWO STAGE FULL FREE-LIFT	9-25
HEADER HOSE	
TWO STAGE FULL FREE-LIFT	9-32
INNER MAST	
TWO STAGE FULL FREE-LIFT	9-4
MAIN LIFT	
TWO STAGE FULL FREE-LIFT	9-6
MAIN LIFT CYLINDER	
LEFT HAND - TWO STAGE FULL FREE-LIFT (→ S/N B509V04962) (→ S/N B564V03940)	9-15
LEFT HAND - TWO STAGE FULL FREE-LIFT (S/N B509V04963 →) (S/N B564V03941 →)	9-17
RIGHT HAND - TWO STAGE FULL FREE-LIFT (→ S/N B509V04962) (→ S/N B564V03940)	9-20
RIGHT HAND - TWO STAGE FULL FREE-LIFT (S/N B509V04963 →) (S/N B564V03941 →)	9-23
MAST INSTALLATION	
TWO STAGE FULL FREE-LIFT	9-30
OUTER MAST	
TWO STAGE FULL FREE-LIFT	9-2

MAIN LIFT CYLINDER
RIGHT HAND – TWO STAGE FULL FREE-LIFT (→ S/N B509V04962) (→ S/N B564V03940)

E45-55XM2

ITEM	DESCRIPTION 1 2 3 4	LIFT HEIGHT TO BOTTOM OF FORKS		
		2962 mm (116.6 in.)	3262 mm (128.4 in.)	3762 mm (148.1 in.)
		Mast Group Number	B509 2962	B509 3262
	Cylinder Group Number	8600806	8600809	8600814
	Cylinder Assy	1356759	1356762	1356767
1	Tube Wldmt- Cylinder	1356783	1356786	1356791
2	Cylinder Rod	1358937	1358940	1358945

E60-65XM2

ITEM	DESCRIPTION 1 2 3 4	LIFT HEIGHT TO BOTTOM OF FORKS		
		2860 mm (112.6 in.)	3160 mm (124.4 in.)	3660 mm (144.1 in.)
		Mast Group Number	B564 2860	B564 3160
	Cylinder Group Number	8601006	8601009	8601014
	Cylinder Assy	1342251	1361276	1361281
1	Tube Wldmt- Cylinder	1356783	1356786	1356791
2	Cylinder Rod	1358937	1358940	1358945
4	Spacer	1356058	1356058	1356058

KEY:**A: E45-55XM2****B: E60-65XM2**

ITEM	PART NO.	DESCRIPTION	QTY	
			A	B
	a	Cylinder Assy	1	1
1	a	Tube Wldmt-Cylinder	1	1
2	a	Cylinder Rod	1	1
3	1355284	Gland	1	1
4	a	Spacer	1
5	1319668	Rod Wiper	1	1
6	147972	Back-Up Ring	1	1
7	59229	O-Ring	1	1
8	1356747	Wear Ring	1	1
9	1356749	Rod Seal	1	1
10	295649	Screw	1	1
11	190887	Sealing Ring	1	1

**MAST INSTALLATION
TWO STAGE FULL FREE-LIFT**

ITEM	PART NO.	DESCRIPTION	QTY
1	1366081	Tilt Cylinder (☞ Figure 6-17).....	2
1	1366085	Tilt Cylinder (☞ Figure 6-17).....	2
2	308117	Pin	2
3	15236	Cotter Pin	4
4	300982	Bushing	2
5	1340891	Rod End	2
6	1581828	Capscrew `	2
7	1581852	Washer	2
8	1581849	Nut	2
9	1376424	Pin	2
10	1376423	Capscrew	4
11	1345354	Pin	2
12	a 1375580	Spacer	2
13	a 55434	O-Ring	2
14	a 134675	Shim	AR
15	a 1325119	Shim	AR
16	1495881	Washer	2

FOOTNOTES:**a** 5° Forward/5° Back

**INNER MAST
FOUR STAGE FULL FREE-LIFT**

C515

ITEM	DESCRIPTION 1 2 3 4	LIFT HEIGHT TO BOTTOM OF FORKS
		6058 mm (238.5 in.)
	Mast Group Number	C515 6058
	Mast Assy	2048579
1	Inner Mast	1381389

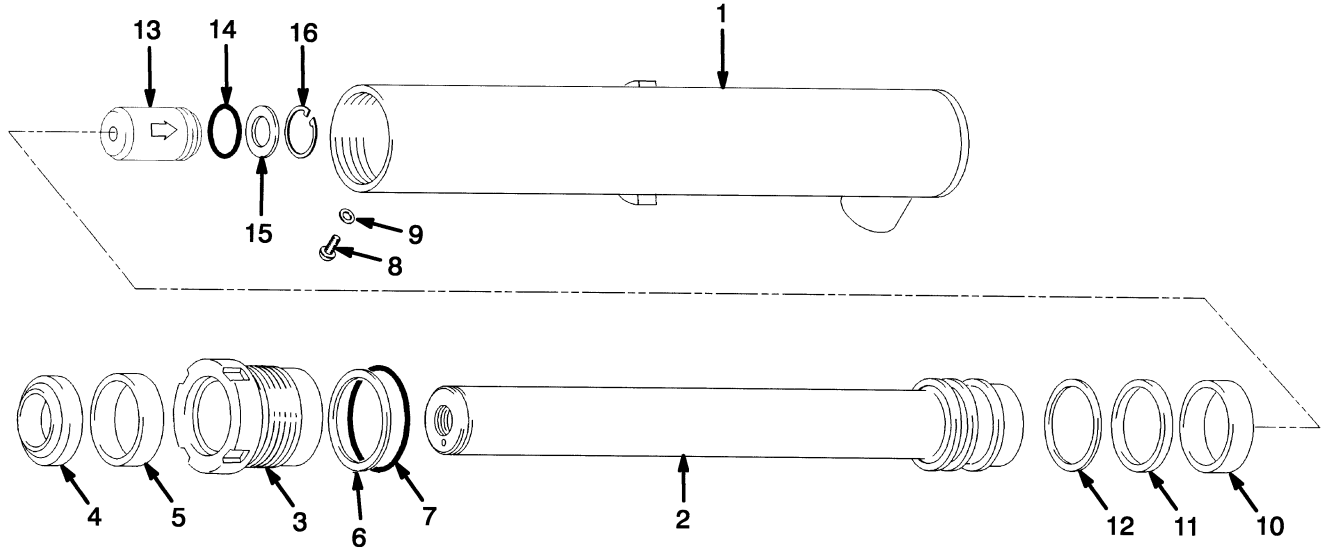
ITEM	PART NO.	DESCRIPTION	QTY
	b	Mast Assy	1
1	b	Inner Mast	1
	a 1345216	Stubshaft	2
2	1395168	Load Roller	2
3	58901	Snap Ring	2
4	129387	Shim (0.020 in.)	AR
5	161003	Nut	4
6	296426	Washer	4
7	1369357	Chain Anchor	2
8	1365140	Chain Anchor	2
9	1514866	Pin	4
10	15211	Cotter Pin	4
11	15223	Cotter Pin	2
12	164474	Chain	2
13	182332	Chain	2

FOOTNOTES:

a Not Illustrated

b Refer to Table

**FREE-LIFT CYLINDER (FIGURE 10-9)
FOUR STAGE FULL FREE-LIFT**



HP170306

**FREE-LIFT CYLINDER
FOUR STAGE FULL FREE-LIFT**

C515

ITEM	DESCRIPTION	LIFT HEIGHT TO BOTTOM OF FORKS	
		6058 mm (238.5 in.)	
	1 2 3 4		
	Mast Group Number	C515	6058
	Cylinder Group Number	8602655	
	Cylinder Assy	2308770	
1	Tube Wldmt- Cylinder	1379358	
2	Cylinder Rod	1379373	

ITEM	PART NO.	DESCRIPTION	QTY
	a	Cylinder Assy	1
1	a	Tube Wldmt-Cylinder	1
2	a	Cylinder Rod	1
3	1362880	Gland	1
4	2013099	Rod Wiper	1
5	1358970	Rod Seal	1
6	615135	Back-Up Ring	1
7	55146	O-Ring	1

**SECTION 11
OPTIONS**

DESCRIPTION	PAGE
AUXILIARY TUBES	
FOUR STAGE FULL FREE-LIFT - FOUR FUNCTION GROUP	11-32
TWO AND THREE STAGE FULL FREE-LIFT - FOUR FUNCTION GROUP	11-30
BACK-UP ALARM	11-58
BATTERY SLIDE AND ROLLER TRAY	
→ S/N F108V17250 INC. 17260-17261, 17265-17271, 17301-17302 EXC. 17230-17233, 17282, 17290, 17300	11-34
S/N F108V17251W ↔ S/N F108V23744Y	11-36
S/N F108V23745Y ↔ S/N F108V26711Z EXC. 23758-23759, 23761-23762, 23770, 23785-23787, 23796, 23856-23857	11-38
S/N F108V26712Z →	11-42
BRAKE AND BACK-UP LIGHTS	11-46
DC CONVERTER	
36/48 VOLT TO 12 VOLT	11-57
DRIVE AND REAR LIGHTS	
→ S/N F108V28197A	11-50
S/N F108V28198A →	11-52
EMERGENCY POWER/SEAT SWITCH BYPASS	11-62
INTEGRAL SIDE-SHIFT	
CARRIAGE - TWO STAGE LIMITED FREE-LIFT	11-12
CARRIAGE - THREE STAGE FULL FREE-LIFT	11-16
CARRIAGE - TWO AND FOUR STAGE FULL FREE-LIFT	11-20
HYDRAULIC HOSES - TWO STAGE LIMITED FREE-LIFT	11-26
HYDRAULIC HOSES - THREE STAGE FULL FREE-LIFT	11-27
HYDRAULIC HOSES - TWO AND FOUR STAGE FULL FREE-LIFT	11-28
INTEGRAL SIDE-SHIFT CYLINDER	11-24
LIGHTS, LED BACK-UP AND BRAKE	
OPTIONAL	11-48
SIDE-SHIFT CARRIAGE	11-6
SIDE-SHIFT CYLINDER	11-10
SPOTLIGHT	11-56
STROBE LIGHT	11-54
TIRE AND WHEEL	
DRIVE WHEEL	11-3
STEER WHEEL	11-2
WIRE HARNESS	
LIGHTING	11-59
SWITCH	11-60
TRACTION CUT-OUT	11-61

SIDE-SHIFT CYLINDER**KEY:****A: E45-55XM2****B: E60-65XM2**

ITEM	PART NO.	DESCRIPTION	QTY	
			A	B
	1360125	Cylinder Assy	1	..
	1360126	Sideshift Cylinder	1
1	2311471	Tube Wldmt-Cylinder	1	..
1	2304345	Tube Wldmt-Cylinder	1
2	2309719	Rod Assy	1	..
2	2303634	Rod Assy	1
3	2306755	Seal	1	..
3	1351184	Seal	1
4	55407	O-Ring	2	..
4	59229	O-Ring	2
5	153919	Back-Up Ring	2	..
5	615130	Back-Up Ring	2
6	1383037	Rod Seal	2	2
7	636851	Rod Wiper	2	2
8	2310768	Gland	2	..
8	2306283	Gland	2
	2311624	Kit-Seal	1	..
	2307647	Kit-Seal	1

**INTEGRAL SIDE-SHIFT
CARRIAGE – TWO AND FOUR STAGE FULL FREE-LIFT****KEY:****A: E45-55XM2 (B509) Two Stage Full Free-Lift****B: E60-65XM2 (B564) Two Stage Full Free-Lift****C: E45-55XM2 (C515) Four Stage Full Free-Lift**

ITEM	PART NO.	DESCRIPTION	QTY		
			A	B	C
	1486179	Side-Shift Carriage (38.5 in.)	1
	1486183	Side-Shift Carriage (42 in.)	1
	1486186	Side-Shift Carriage (48 in.)	1
	1486189	Side-Shift Carriage (38.5 in.)	1	..
	1486192	Side-Shift Carriage (42 in.)	1	..
	1486196	Side-Shift Carriage (48 in.)	1	..
	1486181	Side-Shift Carriage (38.5 in.)	1
1	1488999	Carriage Wldmt (Inner) (38.5 in.)	1
1	1489003	Carriage Wldmt (Inner) (42 in., 48 in.)	1
1	1488965	Carriage Wldmt (Inner) (38.5 in.)	1	..
1	1488968	Carriage Wldmt (Inner) (42 in., 48 in.)	1	..
1	1489001	Frame (Inner) (38.5 in.)	1
2	1489010	Carriage Wldmt (Outer) (38.5 in.)	1	..	1
2	1489011	Carriage Wldmt (Outer) (42 in.)	1
2	1489012	Frame (Outer) (48 in.)	1
2	1488974	Carriage Wldmt (Outer) (38.5 in.)	1	..
2	1488975	Carriage Wldmt (Outer) (42 in.)	1	..
2	1488976	Carriage Wldmt (Outer) (48 in.)	1	..
3	2043528	Sideshift Cylinder Assembly (☞Figure 11-8).....	1	..	1
3	2043529	Sideshift Cylinder Assembly (☞Figure 11-8).....	..	1	..
4	2043531	Bearing (Upper) (38 in., 42 in., 48 in.)	2	..	2
4	2046243	Bearing (Upper) (Bronze) (Service Option)	2	..	2
4	2043532	Bearing (Upper) (38 in., 42 in., 48 in.)	2	..
4	2046245	Bearing (Upper) (Bronze) (Service Option)	2	..
5	2043533	Bearing (Lower) (38 in., 42 in., 48 in.)	2	..	2
5	2046244	Bearing (Lower) (Bronze) (Service Option)	2	..	2
5	2043534	Bearing (Lower) (38 in., 42 in., 48 in.)	2	..
5	2046246	Bearing (Lower) (Bronze) (Service Option)	2	..
6	2043530	Hook (Lower)	2	2	2
6	2053668	Hook (Lower) (Bronze) (Service Option)	2	2	2
7	226458	Capscrew	4	4	4
8	296426	Washer	4	4	4
9	1401746	Pin	2	2	2
10	18832	Cotter Pin	2	2	2
11	302487	Roll Pin	1	1	1
12	16041	Grease Fitting	2	2	2
13	317735	Pin	2	2	2
14	1369345	Chain Anchor (Dual Hole)	2
14	1369344	Chain Anchor (Dual Hole)	2	2
14	1504012	Chain Anchor (Single Hole)	2	..
15	131358	Snap Ring	4	4	4
16	1514866	Pin	2	2	2
17	15211	Cotter Pin	2	2	2
18	1333399	Load Roller	6	6	6

AUXILIARY TUBES
TWO AND THREE STAGE FULL FREE-LIFT – FOUR FUNCTION GROUP

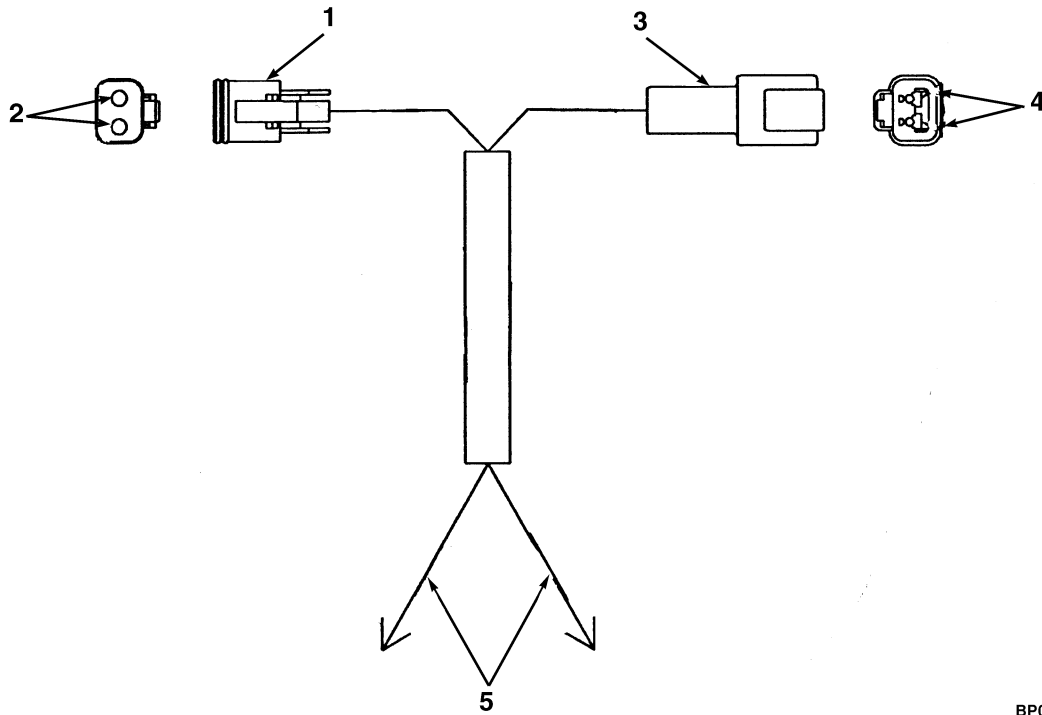
ITEM	PART NO.	DESCRIPTION	QTY
	1518233	Kit-Side-Shift Carriage (Class II) (38 in.)	1
	1518234	Kit-Side-Shift Carriage (Class II) (38 in.)	1
	1518236	Kit-Side-Shift Carriage (Class II) (42 in.)	1
	1518237	Kit-Side-Shift Carriage (Class II) (42 in.)	1
	1518238	Kit-Side-Shift Carriage (Class III) (42 in.)	1
	1518239	Kit-Side-Shift Carriage (Class III) (48 in.)	1
	1518240	Kit-Side-Shift Carriage (Class III) (38 in.)	1
	1518241	Kit-Side-Shift Carriage (Class III) (38 in.)	1
	1518991	Kit-Side-Shift Carriage (Class III) (54 in.)	1
	1518992	Kit-Side-Shift Carriage (Class III) (54 in.)	1
1	1517448	Tube (Two Stage Full Free-Lift)	1
1	1517449	Tube	1
1	1518249	Tube Assy	1
1	1518250	Tube Assy	1
1	1517452	Tube (Three Stage Full Free-Lift)	1
2	1518251	Tube Assy	1
2	1518252	Tube Assy	1
2	1518253	Tube Assy	1
2	1518254	Tube Assy	1
2	1517453	Tube (Three Stage Full Free-Lift)	1
3	16447	Fitting	2
4	14760	Fitting	2
5	16693	Nut	2
6	1381765	Tube Assy	1
7	1381766	Tube Assy	1
8	1390365	Hose Assy	1
9	1390366	Hose Assy	2
10	1517441	Bracket	1
11	16483	O-Ring	2
12	1483663	Quick Disconnect Fitting	2
13	1483664	Fitting	2
14	1483661	Dust Cap	2
15	16933	Fitting	2
	1518219	Kit-Quick Disconnect Fitting	2

DRIVE AND REAR LIGHTS

(→ S/N F108V28197A)

ITEM	PART NO.	DESCRIPTION	QTY
1	1506113	Headlight	3
1	1354119	Headlight	1
1	1363016	Lens	1
1	1379799	Bulb	1
2	2047825	Wire Harness (Rear Light)	1
3	1537683	Plate	1
4	1382303	Switch (Rear)	1
5	1382302	Switch (Front)	1
6	316678	Screw	2
7	878185	Plate	2
8	136749	Screw	2
9	239503	Nut	2
10	292681	Lockwasher	2
11	1367645	Grommet	3
12	1380550	Wire Harness	1
13	1380825	Wire Harness (Headlight)	1
14	296361	Washer	2
15	1375168	Bolt	2
16	296418	Washer	2
17	316835	Nut	2
18	1375172	Bracket Wldmt (LH)	1
18	1375171	Bracket Wldmt (RH)	1

**WIRE HARNESS (FIGURE 11-28)
TRACTION CUT-OUT**



BP000093

ITEM	PART NO.	DESCRIPTION	QTY
	2060358	Wire Harness	1
1	Connector Assembly (Seat Switch Harness)	1
1	1330424	Connector	1
1	1330419	Connector	1
2	1330438	Terminal (Socket)	2
3	Connector Assembly (Main Harness)	1
3	1330414	Connector (Secondary Lock)	1
3	1330409	Connector	1
4	1330437	Terminal (Pin)	1
5	1352564	Terminal (Battery Arm Switch)	2

**HEADER HOSE CONVERSION KITS TWO STAGE LIMITED FREE-LIFT
2.0 - 2.5 TON****THREE TO FOUR FUNCTION**

DESCRIPTION	LIFT HEIGHT TO BOTTOM OF FORKS			
	2093 mm (82.4 in.)	2992 mm (117.8 in.)	3292 mm (129.6 in.)	3792 mm (149.3 in.)
Mast Group Number	B507 2093	B507 2992	B507 3292	B507 3792
Kit-Hose Group 3 to 4 Way	1381821	1377277	1354667	1354669

TWO TO FOUR FUNCTION

DESCRIPTION	LIFT HEIGHT TO BOTTOM OF FORKS			
	2093 mm (82.4 in.)	2992 mm (117.8 in.)	3292 mm (129.6 in.)	3792 mm (149.3 in.)
Mast Group Number	B507 2093	B507 2992	B507 3292	B507 3792
Kit-Hose Group 2 to 4 Way	1381822	1377278	1377279	1354670

TWO TO THREE FUNCTION

DESCRIPTION	LIFT HEIGHT TO BOTTOM OF FORKS			
	2093 mm (82.4 in.)	2992 mm (117.8 in.)	3292 mm (129.6 in.)	3792 mm (149.3 in.)
Mast Group Number	B507 2093	B507 2992	B507 3292	B507 3792
Kit-Hose Group 2 to 3 Way	1381820	1377276	1354666	1354668

**SECTION 13
NUMERICAL INDEX**

PART NO.	PAGE	ITEM	PART NO.	PAGE	ITEM	PART NO.	PAGE	ITEM	PART NO.	PAGE	ITEM
139	1-12	59		6-51	1	15175	11-35	16	15915	6-39	24
7882	6-25	18	15056	1-3	6	15176	1-3	4	15923	11-40	44
	6-33	18	15086	4-7	14	15177	1-12	58		11-43	26
12891	7-17	3		5-17	15	15178	6-7	12	15931	5-25	11
	9-29	3	15114	11-39	31	15180	5-3	5	16001	3-3	39
	11-13	14		11-43	31		5-9	39	16041	11-7	11
12892	1-11	9	15125	1-11	23	15200	10-31	25		11-13	12
12949	6-47	26	15127	1-7	31	15211	5-9	10		11-17	12
	6-47	43		10-28	36		5-9	19		11-21	12
	6-48	58		10-31	22		6-39	17	16151	3-3	7
	6-51	26	15134	1-17	11		7-7	4	16168	5-3	20
	6-51	43		4-3	24		7-17	10		11-49	17
	6-52	57		5-10	52		8-9	8	16379	3-15	10
	6-52	72		6-7	24		8-13	23	16394	1-11	8
13963	4-25	14		6-45	17		8-17	23	16447	11-31	3
	4-29	13		11-35	20		8-27	10		11-33	3
14191	4-12	8	15135	1-12	65		9-9	23	16450	10-13	13
14560	4-11	4		6-43	6		9-13	23	16480	6-47	28
14591	6-47	8	15151	5-3	31		9-29	10		6-51	40
	6-51	8		11-47	22		10-5	18	16481	6-3	22
14603	7-7	15		11-47	22		10-9	10		6-47	8
	9-7	17		11-47	22		10-23	10		6-51	8
	10-11	22		11-49	8		10-27	33		11-8	13
14692	9-34	22	15152	11-55	16		11-13	21		11-8	13
14760	11-31	4	15154	11-39	8		11-17	17	16483	4-11	8
	11-33	4		11-43	16		11-21	17		6-40	43
14899	5-3	21		11-57	8	15212	1-12	40		10-11	18
15002	2-4	46	15155	1-11	4		4-3	15		11-26	4
	2-8	46		1-12	61		5-9	29		11-27	4
15004	5-18	13		4-17	17	15222	6-43	15		11-28	4
15006	5-13	3		4-19	16		10-3	12		11-31	11
15025	1-12	38		4-21	17		10-7	16		11-33	11
15026	5-13	6		4-23	17	15223	8-9	9	16484	4-11	24
15032	3-8	44		5-13	42		10-7	17		6-39	2
	3-11	32		5-18	5		10-9	11		6-39	4
15039	5-9	8	15156	1-3	7	15225	4-25	13		6-40	40
	5-23	16		1-17	13		4-25	22		6-40	42
15049	5-3	32		3-15	15		4-29	12		6-47	11
	11-47	23		4-3	23	15227	4-29	21		6-51	11
	11-47	23		4-7	13	15236	7-19	3	16485	4-11	11
	11-47	23		4-11	29		8-29	3		6-3	33
	11-49	9		5-13	29		9-31	3		6-40	45
15052	11-55	17		6-7	9		10-25	3		6-47	9
15054	6-39	25	15162	1-17	7	15315	3-3	34		6-51	9
	11-57	9	15163	5-9	25	15483	6-48	50		7-7	20
15055	1-11	5		5-23	14		6-52	64		7-7	22
	1-11	5		11-37	17	15866	6-3	30		8-10	25
	5-18	4	15172	5-10	54	15880	8-24	11		8-10	26
	6-47	1		6-39	15		9-26	11		8-13	5

NUMERICAL INDEX (continued)

PART NO.	PAGE	ITEM	PART NO.	PAGE	ITEM	PART NO.	PAGE	ITEM	PART NO.	PAGE	ITEM
	8-37	1	1340637	6-4	36	1341007	8-3	1	1341719	8-5	1
	9-39	1	1340652	6-43	37		8-3	1		8-5	1
1338291	4-7	8	1340653	6-43	38	1341008	7-3	1	1341722	8-5	1
1338642	1-37	1	1340654	6-43	39		7-3	1		8-5	1
1338645	1-37	1	1340655	6-43	40		9-3	1	1341724	8-5	1
1338727	4-25	21	1340659	6-3	24		9-3	1	1342118	8-17	1
1338728	3-12	42	1340672	6-39	1	1341010	8-3	1	1342120	8-9	1
1338729	3-11	31		6-47			8-3	1	1342121	8-17	1
1338730	3-11	16	1340673	6-39	1	1341013	7-3	1	1342123	8-9	1
1338740	6-37	3		6-51			7-3	1	1342126	8-9	1
1338741	6-37	9	1340685	5-9	16		8-3	1	1342129	8-9	1
1338744	6-37	2	1340687	5-9	28		8-3	1	1342222	9-16	
1339030	4-3	3	1340697	6-3	10		9-3	1	1342225	9-16	
1339034	4-3	2	1340698	6-3	11		9-3	1	1342230	9-16	
1339093	11-3	3	1340702	6-43	14	1341015	8-3	1	1342251	9-21	
1339094	11-3	3	1340703	6-39	16	1341210	7-5	1	1342280	9-16	
1339095	11-4	3	1340742	6-43	36	1341213	7-5	1	1342283	9-16	
1339096	11-4	3	1340743	1-12	43		7-5	1	1342288	9-16	
1339097	11-3	3	1340745	6-39	14	1341218	7-5	1	1342374	9-13	2
1339098	11-4	3	1340785	2-31	11		7-5	1	1342377	9-13	2
1339385	2-25	1	1340796	2-3	7	1341395	7-10		1342380	9-13	2
1339386	2-25	1		2-7	7	1341398	7-10		1342383	7-7	1
1339636	6-43	35		2-25	2	1341403	7-10		1342391	8-17	1
1339672	1-33	9		2-28		1341432	7-10		1342393	7-7	1
1339674	1-33	8	1340866	1-12	34	1341435	7-10		1342407	8-13	2
1339799	6-43	35	1340867	1-12	35	1341440	7-10			8-17	2
1340095	1-12	30	1340869	6-39	31	1341472	7-12		1342410	8-13	2
1340140	5-13	8	1340891	7-19	5	1341477	7-12			8-17	2
1340147	5-13	23		8-29	5	1341509	7-12		1342412	8-13	2
	5-17	16		9-31	5	1341514	7-12			8-17	2
1340148	3-15	13		10-25	5	1341542	8-21		1342415	8-13	2
	5-13	26	1340900	6-3	2	1341545	8-21			8-17	2
1340149	5-13	25	1340901	6-3	1	1341547	8-21		1342417	8-13	2
1340171	1-19	3	1340902	5-3	17	1341550	8-21		1342474	9-5	1
1340172	1-19	4	1340904	6-3	16	1341552	8-21			9-5	1
1340218	1-7	2	1340905	6-3	13	1341575	8-21		1342477	9-5	1
1340222	1-3	19	1340958	2-31	19	1341578	8-21			9-5	1
1340224	1-3	19	1340975	5-25	1	1341580	8-21		1342482	9-5	1
1340364	6-43	25	1340976	5-25	1	1341583	8-21			9-5	1
1340366	6-43	2	1340979	5-3	4	1341585	8-21		1343452	6-40	44
1340422	6-43	26	1340983	5-23	2	1341608	8-21		1343537	4-3	19
1340452	1-17	1	1340984	5-23	21	1341611	8-21		1343572	4-3	18
1340453	1-17	1	1340985	5-23	3	1341613	8-21		1343573	4-3	5
1340454	1-17	1	1340988	5-23	1	1341616	8-21		1343574	4-3	16
1340460	1-17	2		5-25		1341641	8-21		1343577	4-7	1
1340470	5-25	4	1340989	5-23	24	1341644	8-21		1343578	4-7	2
1340493	5-9	38	1340998	5-3	12	1341646	8-21		1343579	4-7	3
1340503	6-43	12	1341004	8-3	1	1341649	8-21		1343593	4-7	5
1340504	6-39	14		8-3	1	1341714	8-5	1	1343594	4-7	9
1340531	1-12	49	1341005	7-3	1		8-5	1	1343595	4-3	37
1340618	1-7	20		9-3	1	1341717	8-5	1	1343598	4-7	4
1340619	1-7	20		9-3	1		8-5	1	1343607	4-3	14

CLICK HERE TO **DOWNLOAD** THE COMPLETE MANUAL

- Thank you very much for reading the preview of the manual.
- You can download the complete manual from: www.heydownloads.com by clicking the link below



- Please note: If there is no response to CLICKING the link, please download this PDF first and then click on it.

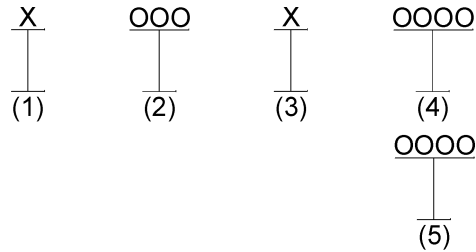
CLICK HERE TO **DOWNLOAD** THE COMPLETE MANUAL

NUMERICAL INDEX (continued)

PART NO.	PAGE	ITEM	PART NO.	PAGE	ITEM	PART NO.	PAGE	ITEM	PART NO.	PAGE	ITEM
	8-13	26	1518992	11-31		1563222	1-19	1			1-31
	8-17	26	1520609	4-3	44	1563351	1-19	1	1678474		1-27
	8-27	9	1523732	7-25	7	1565025	6-27	4			1-31
	9-9	22		7-27	7	1565840	11-53	1	1702706	8-14	37
	9-13	22		8-35	7	1568271	4-25	8		8-18	37
	9-29	9		8-37	7		4-29	7	2004005	2-3	10
	10-5	17		9-37	7	1573121	4-7	12		2-7	10
	10-9	9		9-39	7	1581828	7-19	6		5-3	33
	10-23	9		10-35	7		8-29	6	2007554	2-31	14
	11-13	20	1523733	7-25	8		9-31	6	2013075	7-10	10
	11-17	16		8-35	8		10-25	6		8-21	9
	11-21	16		9-37	8	1581849	7-19	8	2013088	8-24	15
1515759	11-63	11		10-35	8		8-29	8		9-26	15
1516486	11-63	13	1523735	7-25			9-31	8	2013089	8-24	16
1516799	6-43	24		8-35		1581852	7-19	7		9-26	16
1516800	6-43	24		9-37			8-29	7	2013099	8-23	8
1516801	6-43	24		10-35			9-31	7		9-26	8
1517441	11-31	10	1523737	7-27	8		10-25	7		10-15	4
	11-33	10		8-37	8	1583835	6-47	12		10-18	6
1517448	11-31	1		9-39	8		6-51	12		10-19	4
1517449	11-31	1	1523739	7-27		1584631	1-27	29	2023868	1-3	19
1517450	11-33	1		8-37		1591461	10-5	1	2026017	4-11	15
1517451	11-33	2		9-39		1591664	5-7	7	2026802	6-39	3
1517452	11-31	1	1526007	4-19	22	1591665	5-7	7	2032490	4-12	4
1517453	11-31	2		4-23	22	1600126	1-27	29	2033614	4-11	17
1517939	5-3	16	1526008	4-19	25	1612589	3-11	34		4-13	
1518159	11-39	6		4-23	24	1616225	3-11	33	2033673	6-39	18
	11-43	15	1526009	4-19	26	1618982	6-27		2033674	6-39	18
1518161	11-39	1		4-23	25		6-35		2034265	4-13	7
	11-43	13	1526011	4-23	22	1624333	6-45	1	2034266	4-13	2
1518219	11-31		1526012	4-19	21	1643405	8-31	22	2034284	6-25	4
	11-33		1526118	11-43	13		9-34	18	2034307	6-25	8
1518233	11-31		1531210	5-9	1		10-27	3	2034900	6-3	32
1518234	11-31		1531211	5-9	2		10-32	49		6-7	8
1518235	11-33		1531984	11-53	1	1650385	1-23	7		6-15	
1518236	11-31		1534660	1-33	5	1650564	6-3	23	2034906	1-11	11
1518237	11-31		1535249	11-43	7	1651426	11-39	32	2035275	2-31	1
1518238	11-31		1537683	11-51	3	1655319	11-2	3	2035276	2-31	24
1518239	11-31			11-53	3	1656201	11-2	1	2035776	2-3	1
1518240	11-31			11-55	4	1660080	6-45	7		2-7	1
1518241	11-31		1544196	1-11	25	1662409	11-56	1		2-31	
1518249	11-31	1	1544764	11-53	1	1663441	1-37	1	2035834	2-3	15
1518250	11-31	1	1547469	5-21	4	1663458	1-37	1		2-7	15
1518251	11-31	2	1547470	5-21	5	1669381	6-48	53		2-32	
1518252	11-31	2	1547471	5-21	1		6-52	67	2036180	6-40	46
1518253	11-31	2	1547472	5-21	3	1673704	11-55	3	2036238	2-3	26
1518254	11-31	2	1547645	5-17	24	1673755	11-55	2		2-7	26
1518372	5-3	23	1554165	3-21	10	1678470	1-23			2-29	
	11-47	10		3-23	10		1-23		2036273	11-47	8
	11-49	4	1554302	5-17	25	1678471	1-23			11-59	
1518932	6-7	16	1555680	11-49	11		1-23		2036274	2-37	
1518991	11-31		1556324	11-49	10	1678473	1-27			11-47	21

TABLE OF CONTENTS

DESCRIPTION	PAGE
A	
ACCELERATOR	5-22
ACCELERATOR PEDAL	5-24
AUXILIARY TUBE EXTENSION KIT	
AUXILIARY TUBE EXTENSION KIT FOUR STAGE FULL FREE-LIFT	12-4
AUXILIARY TUBE EXTENSION KITS	
AUXILIARY TUBE EXTENSION TWO STAGE LIMITED FREE-LIFT	12-3
AUXILIARY TUBES	
FOUR STAGE FULL FREE-LIFT - FOUR FUNCTION GROUP	11-32
TWO AND THREE STAGE FULL FREE-LIFT - FOUR FUNCTION GROUP	11-30
B	
BACK-UP ALARM	11-58
BATTERY CONNECTOR	2-26
BATTERY SLIDE AND ROLLER TRAY	
→ S/N F108V17250 INC. 17260-17261, 17265-17271, 17301-17302 EXC. 17230-17233, 17282, 17290, 17300	11-34
S/N F108V17251W ↔ S/N F108V23744Y	11-36
S/N F108V23745Y ↔ S/N F108V26711Z EXC. 23758-23759, 23761-23762, 23770, 23785-23787, 23796, 23856-23857	11-38
S/N F108V26712Z →	11-42
BRAKE	5-6
BRAKE AND BACK-UP LIGHTS	11-46
BRAKE PEDAL LINKAGE	5-2
BRAKE SWITCH HARNESS	5-26
C	
CARRIAGE	
FOUR STAGE FULL FREE-LIFT	10-22
SIX ROLLER - TWO STAGE LIMITED FREE-LIFT	7-16
SIX ROLLER - THREE STAGE FULL FREE-LIFT	8-26
SIX ROLLER - TWO STAGE FULL FREE-LIFT	9-28
CONTACTOR	
1A AND RB	2-20
CONTACTOR PANEL	
CONTACTOR HYDRAULIC	2-16
CONTROL	2-14
CONTACTOR STEERING	2-18
CONTROL PANEL	
CONTACTOR HYDRAULIC	2-10
TRANSISTOR HYDRAULIC	2-12
CONTROL VALVE ATTACHING PARTS	6-38
CONVERSION KIT	
COUNTERWEIGHT	1-16
COVERS	1-6
CYLINDER	
E45-55XM2 - TWO STAGE LIMITED FREE-LIFT	7-9

IDENTIFICATION OF MAST SERIAL NUMBERS

- (1) and (2) The first letter and number indicates the mast unit code.
- (3) The second letter indicates the plant of manufacture.
- (4) The four or five digit number indicates the production sequence number of the mast.
- (5) Carriage travel in millimeters stamped just below the serial number.

Mast Group identification consists of mast unit code (1) and (2) plus carriage travel (5).

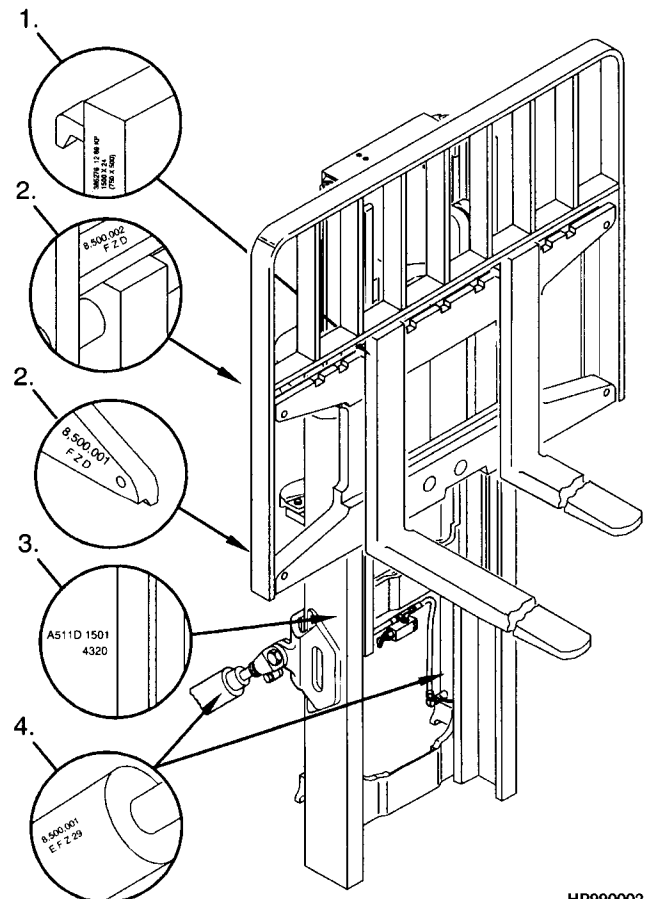
For pending production sequence numbers contact your local dealer for Hyster lift trucks.

LIFT EQUIPMENT IDENTIFICATION

1. Fork part number, capacity rating, plant code letter, and date of manufacture are stamped approximately six inches below the top of most forks.
2. The carriage group number is stamped on the right hand side of the top crossmember (pin type) or on the back of the right hand end of the bottom crossmember (hook type). A date code has two letters in line with or below the carriage group number.
3. The mast identification number has a unit code, a letter indicating the plant of manufacture, and a serial number. Underneath the production sequence number is a four digit number that indicates the carriage travel in millimeters.
4. Tilt and lift cylinder group numbers are stamped on the cylinder shell.

Always refer to the group, serial, or part number when ordering service parts.

Modification of masts and carriages by SPED (Special Products Engineering Department) are identified by a model prefix code beginning with the letter "S". contact your dealer for Hyster lift trucks for information on these assemblies.



HP990002

OVERHEAD GUARD**KEY:****A: 27.55 in. Battery Compartment****B: 33.38 in. Battery Compartment****C: 39.96 in. Battery Compartment**

ITEM	PART NO.	DESCRIPTION	QTY		
			A	B	C
1	1386696	Overhead Guard (86.0 in. Overall Height)	1
1	1386697	Overhead Guard (86.0 in. Overall Height)	1	..
1	1386698	Overhead Guard (86.0 in. Overall Height)	1
1	1386699	Overhead Guard (88.4 in. Overall Height)	1
1	1386700	Overhead Guard (88.4 in. Overall Height)	1	..
1	1386701	Overhead Guard (88.4 in. Overall Height)	1
1	1489176	Overhead Guard (89.2 in. Overall Height)	1
1	1489177	Overhead Guard (89.2 in. Overall Height)	1	..
1	1489178	Overhead Guard (89.2 in. Overall Height)	1
1	1489179	Overhead Guard (90.5 in. Overall Height)	1
1	1489180	Overhead Guard (90.5 in. Overall Height)	1	..
1	1489181	Overhead Guard (90.5 in. Overall Height)	1
1	1452953	Overhead Guard (Plate Type Without Operator Compartment Light)	1
1	1452954	Overhead Guard (Plate Type Without Operator Compartment Light)	1	..
1	1452955	Overhead Guard (Plate Type Without Operator Compartment Light)	1
2	320161	Washer	16	16	16
3	1343990	Capscrew	6	6	6
4	293651	Capscrew	4	4	4
5	1390182	Nut	10	10	10
6	1343647	Handle	1	1	1
7	329067	Screw	2	2	2

**CONTACTOR PANEL
CONTROL**

ITEM	PART NO.	DESCRIPTION	QTY
	a 1459777	Control Panel (36/48 Volt)	1
	b 1466921	Control Panel (36/48 Volt)	1
1	1462322	Base	1
2	a 1453531	Contactor (36/48 Volt) (☞ Figure 2-9).....	1
2	b 1467047	Contactor (36/48 Volt) (☞ Figure 2-9).....	1
3	1374236	Bracket	1
4	1393356	Current Limiter (Blue)	1
5	1374210	Fuse Block	1
6	1301510	Buss Bar	3
7	314878	Fuse (15 Amp)	4
8	1308958	Label (Fuse) (15 Amp)	4
9	379235	Nameplate	1

FOOTNOTES:

a → S/N F108V16636 INC. 16643, 16653,
16654-16656 EXC. 16602-16604, 16620-16622,
16627-16629

b S/N F108V16637 → INC. 16602-16604,
16620-16622, 16627-16629 EXC. 16643, 16653,
16654-16656

INSTRUMENT PANEL

ITEM	PART NO.	DESCRIPTION	QTY
1	abd 1339385	Dash Display (With BDI)	1
1	acd 1339386	Dash Display (With BDI)	1
1	bd 1391095	Dash Display (With Enhanced Display)	1
1	cd 1391096	Dash Display (With Enhanced Display)	1
1	f 1460400	Dash Display (Without Function Keys)	1
1	e 1460401	Dash Display (With Function Keys)	1
1	g 1482558	Dash Display (With Function Keys)	1
2	1340796	Wire Harness (Dash) (Dash) (☞ Figure 2-12).....	1

FOOTNOTES:

- | | | | |
|----------|---------------------------------------|----------|----------------------------------------------------------------------------------------|
| a | Service With Dash Display Kit-1640514 | e | S/N F108V15841 ↔ S/N F108V19613 INC. 14946, 15838, 19668 EXC. 19601-19603, 19605-19608 |
| b | With Seat Belt Symbol | f | S/N F108V15841 → INC. 14946, 15838 |
| c | Without Seat Belt Symbol | g | S/N F108V19614 → INC. 19601-19603, 19605-19608 EXC. 19668 |
| d | → S/N F108V15840 EXC. 14946, 15838 | | |

WIRE HARNESS
PRESSURE SWITCH WITH LED LIGHTS – OPTIONAL

ITEM	PART NO.	DESCRIPTION	QTY
	2070134	Wire Harness (Pressure Switch)	1
1	370730	Terminal	2
2	346330	Connector Body	1
3	181045	Connector Body	2
4	134810	Terminal	2

**DRIVE UNIT INSTALLATION
E/EE/ES AND CRE/FRE**

ITEM	PART NO.	DESCRIPTION	QTY
1	1364802	Plate (27.5 in.) (27.55 in. Battery Compartment)	1
1	1364804	Plate (33.38 in.) (33.38 in. Battery Compartment)	1
1	1364806	Plate (40 in.) (39.96 in. Battery Compartment)	1
2	216895	Static Strap (Non EE with Poly or Non-Marking Tires)	1
2	b 216895	Static Strap	2
3	b 176640	Bolt	3
4	b 320158	Washer	6
5	b 292681	Lockwasher	3
6	b 239503	Nut	3
7	b 1364824	Plate	4
8	b 361988	Foam Tape	AR
9	ce 325472	Fan	1
10	ce 16379	Capscrew	4
11	ce 1364572	Spacer	1
12	cf 325472	Fan	1
13	cf 1340148	Hub	1
14	cf 16598	Capscrew	4
15	cf 15156	Lockwasher	4
16	cf 292529	Capscrew	1
17	cf 221736	Washer	1
18	d 1460667	Kit-Motor Band (9 in. Motor)	1
18	d 1460668	Kit-Motor Band (11 in. Motor)	1
18	ab 1460669	Kit-Motor Band (11 in. Motor)	1
19	292513	Capscrew	1
20	292682	Lockwasher	1

FOOTNOTES:

- | | |
|-----------------------------------------|-----------------------------|
| a CRE/FRE | d Type ES |
| b Type EE | e With Seat Brake |
| c Type EE, Closed Motor, CRE/FRE | f Without Seat Brake |

STEERING CONTROL UNIT

ITEM	PART NO.	DESCRIPTION	QTY
	1453180	Steering Pump	1
1	1355335	Ball	1
2	Ball Stop	1
3	1451697	Bearing	1
4	1455770	Ring	1
5	1451698	Pin (Cross)	1
6	1455771	Kit-Spring	1
7	Shaft	1
8	Spacer	1
9	1451703	Plate	1
10	Gear Set	1
11	End Cover	1
12	1455780	Screw	1
13	1451712	Screw	4
14	Relief Valve	1
15	1455779	Spring	1
16	Dust Seal	1
17	O-Ring	3
18	O-Ring	5
	1467430	Kit-Seal	1

STEERING MOTOR
WITHOUT BWI (S/N F108V27550A →)

ITEM	PART NO.	DESCRIPTION	QTY
	2054861	Steering Motor (Without BWI)	1
1	1452892	Brush Holder	1
2	1459685	Kit-Brush Spring	1
3	1459684	Kit-Brush	1
4	1391769	Brush Holder	1
5	1459683	Kit-Terminal	1
6	1391773	Bushing	2
7	1376961	Screw	2
8	1452882	Gasket	1
9	1452881	Cover	1
10	1450475	Screw	2
11	1376960	Bearing	1
12	1310930	Spring Washer	1
13	1452879	Shield	1
14	1391760	Nut	2
15	1308893	Nut	4
16	15155	Lockwasher	2
17	197068	Washer	2
18	1308875	Washer	2
19	1500861	Stator	1
20	1458470	Sleeve	2
21	1526012	Armature	1
22	1526007	Retaining Ring	1
23	1452878	Stud	2
24	1461259	Bearing	1
25	1526008	Shield	1
26	1526009	Seal	1

STEERING AXLE

(S/N F108V18956X → INC. 18918-18920 EXC. 18931, 18938, 18944-18947, 18953-18955, 19007-19008)

ITEM	PART NO.	DESCRIPTION	QTY
1	324802	Steering Axle	1
2	21189	Nut	2
3	1464149	Spindle (RH)	1
3	1464150	Spindle (LH)	1
4	329222	Steering Cylinder	1
5	a 293698	Capscrew	4
5	b 293686	Capscrew	4
6	58903	Snap Ring	4
7	1568271	Pin	2
8	185869	Boot	2
9	119236	Clamp	2
10	127045	Clamp (Hose)	2
11	185870	Tie Rod Assembly	2
11	185872	Bushing	1
12	15225	Cotter Pin	2
13	13963	Grease Fitting	2
14	293628	Capscrew	6
15	369812	Bearing Cap	2
16	185856	Shim (0.005 in.)	AR
16	185857	Shim (0.007 in.)	AR
16	185858	Shim (0.020 in.)	AR
17	39678	O-Ring	2
18	1374823	Bearing Set	2
18	135657	Bearing Cone	1
18	135658	Bearing Cup	1
19	266733	Seal	2
20	1374826	Bearing Set (Two On Each Spindle)	4
20	183614	Bearing Cup	1
20	183615	Bearing Cone	1
21	15227	Cotter Pin	2
22	69029	Cap	2
23	1461672	Nut	2
24	1461671	Washer	2
25	164639	Wear Sleeve	2
26	44542	Seal	2
27	300937	Nut	4
28	a 316828	Nut	4
29	a 296426	Washer	4
30	320161	Washer	8
31	153716	Seal	2
32	153717	Wear Sleeve	2
33	1374815	Bearing Set	2
33	156194	Bearing Cup	1
33	156195	Bearing Cone	1
34	185860	Plug	2
35	324858	Plate	2
36	293648	Capscrew	4
37	324864	Rubber Mount	2
	996512	Kit-Steering Axle	1

BRAKE**KEY:****A: Right Hand****B: Left Hand**

ITEM	PART NO.	DESCRIPTION	QTY	
			A	B
	a 1351938	Brake Assembly	1	..
	a 1351939	Brake Assembly	1
	b 1504042	Brake Assembly	1	..
	b 1504041	Brake Assembly	1
1	1334648	Wheel Cylinder	1	1
2	1334647	Kit-Repair Wheel Cylinder	1	1
2	2040959	Kit-Repair Wheel Cylinder	1	1
3	1361503	Bleeder Screw	1	1
4	1361504	Cap	1	1
5	Plug	1	1
6	1334642	Cover	1	1
7	1591665	Kit-Brake Shoe (RH)	1	1
7	1591664	Kit-Brake Shoe (LH)	1	..
8	1334639	Kit-Hold Down	1	1
9	1334638	Kit-Spring	2	2
10	1375022	Parking Brake Cable	1
10	1375024	Parking Brake Cable	1	..
11	a 1374081	Backplate	1	..
11	b 1508081	Backplate	1	..
11	a 1375023	Backplate	1
11	b 1508079	Backplate	1
12	1375048	Parking Brake	1
12	1375049	Kit-Park Brake	1	..
13	1360794	Lever	1	..
13	1361505	Lever	1
14	1360793	Spring	1	1
15	1360792	Cable Assy	1	1
16	1360798	Bolt	2	2
17	Nut	1	1
18	Washer	1	1
19	1361501	Wear Plate	1	1
20	1361502	Snap Ring	1	1
21	1334645	Adjuster Assembly (RH)	1	..
21	1334646	Adjuster	1
22	Sheave	1	1
23	Pin	1	1
24	a 1360796	Bracket	1	..
24	b 1361507	Strut	1
	1379758	Kit-Sheave	1	1

FOOTNOTES:**a** → T056M-44847**b** T056M-44848 →

**PARK BRAKE LINKAGE
SEAT ACTUATED (7/2002 →)**

ITEM	PART NO.	DESCRIPTION	QTY
1	1495981	Controller	1
2	1476421	Washer	4
3	287816	Capscrew	2
4	292680	Washer	2
5	136687	Nut	2
6	1512081	Spacer (9 in. Traction Motor)	1
6	1498063	Spacer (11 in. Traction Motor)	1
7	1498965	Brake Assembly	1
8	296010	Capscrew	8
9	292681	Lockwasher	4
10	1495956	Bracket	1
11	296226	Capscrew	2
12	1495980	Solenoid	1
13	1499243	Pin	1
14	1499327	Clevis	1
15	15086	Nut	1
16	1340147	Spring	1
17	1318690	Pin	1
18	1351689	Lockring	2
19	1495967	Brake Drum	1
20	1499236	Spacer	1
21	1510876	Washer	1
22	292683	Lockwasher	1
23	246001	Capscrew	1
24	1547645	Module (Auto Brake)	1
25	1554302	Plate (Auto Brake)	1
26	302026	Screw	2
27	320154	Washer	2
28	292678	Lockwasher	2
29	1463912	Nut	2

**HYDRAULIC PUMP
19 CC**

ITEM	PART NO.	DESCRIPTION	QTY
	1343827	Pump	1
1	2303239	Retaining Ring	1
2	Seal	2
3	1377253	Flange	1
4	2309481	Dowel	4
5	Seal	2
6	Back-Up Ring	2
7	O-Ring	2
8	1376425	End Cover	1
9	1377254	Bolt	4
10	Housing	1
11	Idler Gear	1
12	Drive Gear	1
13	Bearing Block	2
	a 1510058	Key	1
	1376427	Kit-Flange	1
	1377252	Kit-Flange	1
	1371746	Kit-Seal	1

FOOTNOTES:**a** Not Illustrated

**HYDRAULIC MOTOR
OPEN CONSTRUCTION WITH BWI**

ITEM	PART NO.	DESCRIPTION	QTY
	324845	Pump Motor	1
1	360928	Cover (Top) (CE)	1
2	366091	Cover (Bottom) (CE)	1
3	366092	Bushing	2
4	366087	Support	1
5	1312816	Brush (Optional)	4
5	366090	Brush	4
6	360937	Yoke	1
7	328760	Kit-Spring	1
8	360938	Connector	1
9	360939	Connector	1
10	366088	Field Coil	1
10	Thermostat	1
11	328758	Kit-Nut	2
12	360926	Bearing	1
13	360930	Armature	1
14	386622	Fan	1
15	Bushing	1
16	360935	Bearing	1
17	366089	Bracket (DE)	1
18	360933	Cover (DE)	1
19	360936	Key	1
	1309843	Kit-Thermostat	1

CONTROL VALVE ATTACHING PARTS**KEY:****A: Three Function****B: Four Function**

ITEM	PART NO.	DESCRIPTION	QTY	
			A	B
1	1340672	Relief Valve (Main Hydraulic Control Valve)	1	1
1	1340673	Relief Valve (Main Hydraulic Control Valve)	1	1
2	16541	Fitting	2	2
2	16484	O-Ring	1	1
3	2026802	Strip Seal	2	2
4	16559	Fitting	2	2
4	16484	O-Ring	1	1
5	374160	Insulator	3	4
6	1364272	Capscrew	2	2
7	1388309	Strip Seal	2	2
8	324972	Bracket	2	2
9	317594	Motor Mount	2	2
10	1356113	Washer	4	4
11	292682	Lockwasher	6	6
12	136692	Nut	6	6
13	296174	Capscrew	4	4
14	1340745	Link (With Raised Battery)	3	4
14	1340504	Link (Without Raised Battery)	3	4
15	15172	Washer	3	4
16	1340703	Pin	3	4
17	15211	Cotter Pin	3	4
18	a 2033674	Plate (With Raised Battery)	1	1
18	c 1468406	Plate Wldmt (With Raised Battery)	1	1
18	a 2033673	Plate (Without Raised Battery)	1	1
18	c 1468398	Plate Wldmt (Without Raised Battery)	1	1
19	1362273	Cam	3	4
20	18460	Capscrew	6	8
21	221341	Locknut	12	16
22	1362274	Guide	3	4
23	220003	Bolt	3	4
24	15915	Lockwasher	2	2
25	15054	Nut	2	2
26	220000	Bolt	5	6
27	b 324895	Switch	3	4
27	d 2046035	Switch	3	4
28	220430	Screw	6	8
29	18419	Lockwasher	6	8
30	16865	Nut	6	8
31	1340869	Clamp	1	1
32	197068	Washer	5	6
33	1362279	Pad	1	1
34	176640	Bolt	2	2
35	292681	Lockwasher	3	3
36	320157	Washer	3	3
37	239503	Nut	2	2
38	136681	Capscrew	1	1

**INNER MAST
TWO STAGE LIMITED FREE-LIFT**

E45-55XM2

ITEM	DESCRIPTION 1 2 3 4	LIFT HEIGHT TO BOTTOM OF FORKS			
		2093 mm (82.4 in.)	2992 mm (117.8 in.)	3292 mm (129.6 in.)	3792 mm (149.3 in.)
		Mast Group Number	B507 2093	B507 2992	B507 3292
	Mast Assy	2048106	2048113	2048116	2048121
1	Inner Mast	1379283	1341210	1341213	1341218

E60-65XM2

ITEM	DESCRIPTION 1 2 3 4	LIFT HEIGHT TO BOTTOM OF FORKS	
		3159 mm (124.4 in.)	3659 mm (144.1 in.)
		Mast Group Number	B562 3159
	Mast Assy	2048155	2048160
1	Inner Mast	1341213	1341218

ITEM	PART NO.	DESCRIPTION	QTY
	a	Mast Assy	1
1	a	Inner Mast	1
2	1345216	Stubshaft	2
3	58901	Snap Ring	2
4	129387	Shim (0.020 in.)	AR
5	1333396	Load Roller	2
6	1368656	Pin	2
7	1378691	Spacer	4
8	1379685	Chain Sheave (E45-55XM2)	2
8	1378698	Chain Sheave	1
8	37752	Snap Ring	1
8	1378699	Ball Bearing	1
8	1379684	Chain Sheave Assembly (E60-65XM2)	2
8	1378694	Chain Sheave	1
8	37752	Snap Ring	1
8	1378699	Ball Bearing	1
9	302462	Roll Pin	2

FOOTNOTES:

a Refer to Table

FORK
E45-55XM2 – TWO STAGE LIMITED FREE-LIFT

KEY:**A:** Standard Taper (100 mm x 40 mm)**B:** Full Bottom Taper (125 mm x 40 mm)

ITEM	PART NO.	DESCRIPTION	QTY	
			A	B
1	384211	Fork (36 in.)	2	..
1	384213	Fork (42 in.)	2	..
1	384214	Fork (48 in.)	2	..
1	384215	Fork (54 in.)	2	..
1	384216	Fork (60 in.)	2	..
1	1338087	Fork (36 in.)	2
1	1338088	Fork (42 in.)	2
1	1338089	Fork (48 in.)	2
2	368706	Lever	1	1
3	368702	Pin	1	1
4	368707	Washer	1	1
5	368705	Spring	1	1
6	71153	Roll Pin	1	1
7	1523732	Knob	1	1
8	1523733	Pin	1	1
9	1500782	Spring	1	1
10	a 1477166	Washer	1	1
11	a 1477167	Wedge Band	1	1
	1523735	Kit-Latch	2	2

FOOTNOTES:**a** Refer to Latch Kit Installation Instruction**NOTE:** Other Fork Dimensions Available on Request, Contact Your Hyster Lift Truck Dealer.

**INTERMEDIATE MAST
THREE STAGE FULL FREE-LIFT**

E45-55XM2

ITEM	DESCRIPTION 1 2 3 4	LIFT HEIGHT TO BOTTOM OF FORKS				
		4310 mm (169.7 in.)	4760 mm (187.4 in.)	5060 mm (199.2 in.)	5510 mm (216.9 in.)	5810 mm (228.7 in.)
		Mast Group Number	B508 4310	B508 4760	B508 5060	B508 5510
	Mast Assy	2048227	2048230	2048232	2048235	2048204
1	Intermediate Mast	1341714	1341717	1341719	1341722	1341724

E60-65XM2

ITEM	DESCRIPTION 1 2 3 4	LIFT HEIGHT TO BOTTOM OF FORKS			
		4118 mm (162.1 in.)	4568 mm (179.8 in.)	4868 mm (191.7 in.)	5318 mm (209.4 in.)
		Mast Group Number	B563 4118	B563 4568	B563 4868
	Mast Assy	2048282	2048286	2048290	2048295
1	Intermediate Mast	1341714	1341717	1341719	1341722

ITEM	PART NO.	DESCRIPTION	QTY
	a	Mast Assy	1
1	a	Intermediate Mast	1
2	1345216	Stubshaft	4
3	104506	O-Ring	4
4	131716	Shim (0.020 in.)	4
5	215211	Wear Strip	2
6	1333396	Load Roller	4
7	129387	Shim (0.020 in.)	AR
8	58901	Snap Ring	4
9	302462	Roll Pin	2
10	1368656	Pin	2
11	1378691	Spacer	4
12	1379685	Chain Sheave (E45-55XM2)	2
12	1378698	Chain Sheave	2
12	37752	Snap Ring	1
12	1378699	Ball Bearing	1
12	1379684	Chain Sheave Assembly (E60-65XM2)	2
12	1378694	Chain Sheave	1
12	37752	Snap Ring	1
12	1378699	Ball Bearing	1

FOOTNOTES:

a Refer to Table

FORK
E45-55XM2 – THREE STAGE FULL FREE-LIFT

KEY:**A:** Standard Taper (100 mm x 40 mm)**B:** Full Bottom Taper (125 mm x 40 mm)

ITEM	PART NO.	DESCRIPTION	QTY	
			A	B
1	384211	Fork (36 in.)	2	..
1	384213	Fork (42 in.)	2	..
1	384214	Fork (48 in.)	2	..
1	384215	Fork (54 in.)	2	..
1	384216	Fork (60 in.)	2	..
1	1338087	Fork (36 in.)	2
1	1338088	Fork (42 in.)	2
1	1338089	Fork (48 in.)	2
2	368706	Lever	1	1
3	368702	Pin	1	1
4	368707	Washer	1	1
5	368705	Spring	1	1
6	71153	Roll Pin	1	1
7	1523732	Knob	1	1
8	1523733	Pin	1	1
9	1500782	Spring	1	1
10	a 1477166	Washer	1	1
11	a 1477167	Wedge Band	1	1
	1523735	Kit-Latch	2	2

FOOTNOTES:**a** Refer to Latch Kit Installation Instruction**NOTE:** Other Fork Dimensions Available on Request, Contact Your Hyster Lift Truck Dealer.

**INNER MAST
TWO STAGE FULL FREE-LIFT****E45-55XM2**

ITEM	DESCRIPTION 1 2 3 4	LIFT HEIGHT TO BOTTOM OF FORKS		
		2962 mm (116.6 in.)	3262 mm (128.4 in.)	3762 mm (148.1 in.)
		Mast Group Number	B509 2962	B509 3262
	Mast Assy	2048392	2048400	2048411
1	Inner Mast	1342474	1342477	1342482

E60-65XM2

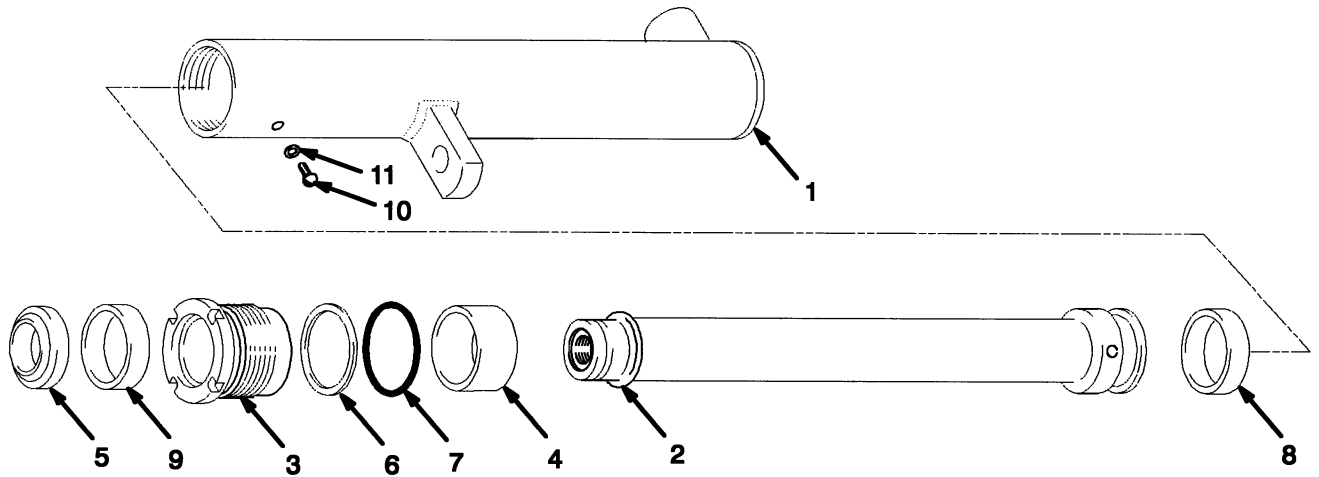
ITEM	DESCRIPTION 1 2 3 4	LIFT HEIGHT TO BOTTOM OF FORKS		
		2860 mm (112.6 in.)	3160 mm (124.4 in.)	3660 mm (144.1 in.)
		Mast Group Number	B564 2860	B564 3160
	Mast Assy	2048471	2048478	2048489
1	Inner Mast	1342474	1342477	1342482

ITEM	PART NO.	DESCRIPTION	QTY
	a	Mast Assy	1
1	a	Inner Mast	1
2	1345216	Stubshaft	2
3	58901	Snap Ring	2
4	129387	Shim (0.020 in.)	AR
5	1333396	Load Roller (0,76 mm)	2

FOOTNOTES:**a** Refer to Table

MAIN LIFT CYLINDER (FIGURE 9-6)

LEFT HAND — TWO STAGE FULL FREE-LIFT (→ S/N B509V04962) (→ S/N B564V03940)



HP170288

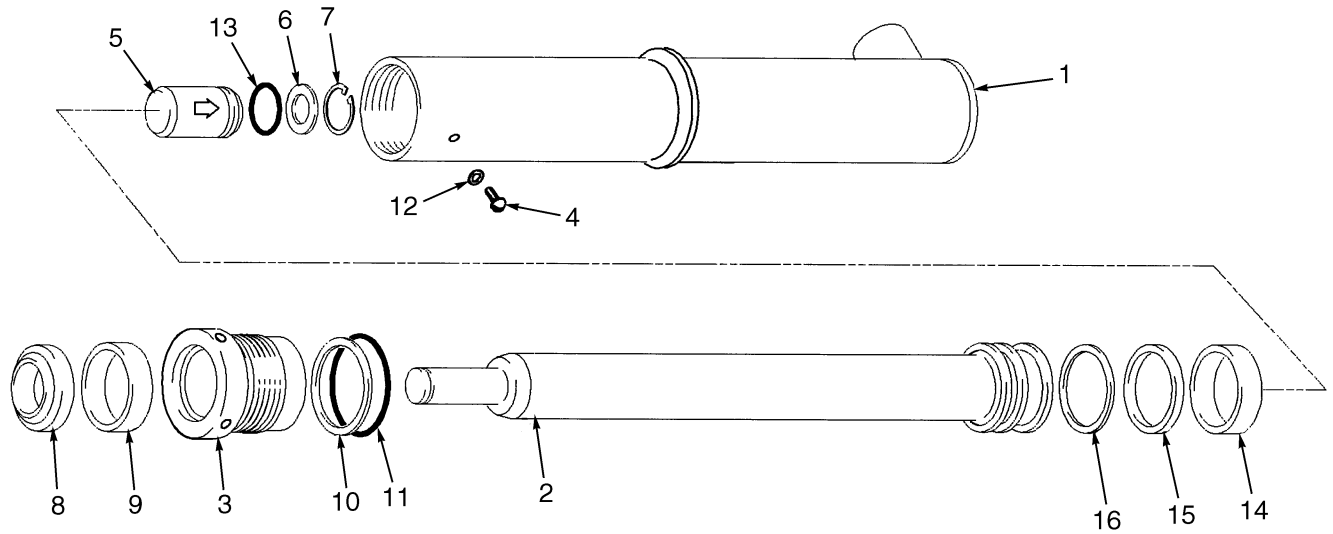
MAIN LIFT CYLINDER

LEFT HAND – TWO STAGE FULL FREE-LIFT (→ S/N B509V04962) (→ S/N B564V03940)

E45-55XM2

ITEM	DESCRIPTION 1 2 3 4	LIFT HEIGHT TO BOTTOM OF FORKS		
		2962 mm (116.6 in.)	3262 mm (128.4 in.)	3762 mm (148.1 in.)
	Mast Group Number	B509 2962	B509 3262	B509 3762
	Cylinder Group Number	8600706	8600709	8600714
	Cylinder Assy	1342222	1342225	1342230
1	Tube Wldmt- Cylinder	1355910	1355928	1355958
2	Cylinder Rod	1355911	1355929	1355959

**FREE-LIFT CYLINDER (FIGURE 9-10)
TWO STAGE FULL FREE-LIFT**



HP170290

**FREE-LIFT CYLINDER
TWO STAGE FULL FREE-LIFT**

E45-55XM2

ITEM	DESCRIPTION 1 2 3 4	LIFT HEIGHT TO BOTTOM OF FORKS		
		2962 mm (116.6 in.)	3262 mm (128.4 in.)	3762 mm (148.1 in.)
	Mast Group Number	B509 2962	B509 3262	B509 3762
	Cylinder Group Number	8602406	8602409	8602414
	Cylinder Assy	1366733	1366736	1366741
1	Tube Wldmt- Cylinder	2303871	2058213	2058218
2	Cylinder Rod	1356560	1356569	1356584

**OUTER MAST
FOUR STAGE FULL FREE-LIFT**

C515

ITEM	DESCRIPTION 1 2 3 4	LIFT HEIGHT TO BOTTOM OF FORKS
		6058 mm (238.5 in.)
	Mast Group Number	C515 6058
	Mast Assy	2048579
1	Outer Mast	1370205

ITEM	PART NO.	DESCRIPTION	QTY
	b	Mast Assy	1
1	b	Outer Mast	1
	a 1345216	Stubshaft	2
2	1333396	Load Roller	2
3	58901	Snap Ring	2
4	129387	Shim (0.020 in.)	AR
5	215212	Wear Strip	2
6	131716	Shim (0.020 in.)	AR
7	104506	O-Ring	4
8	351666	Chain Anchor	2
9	182377	Nut	2
10	182376	Ring	2
11	129339	Pin	2
12	15222	Cotter Pin	2
13	1375595	Plug	2
14	182342	Chain	2

FOOTNOTES:

a Not Illustrated

b Refer to Table

**FREE-LIFT
FOUR STAGE FULL FREE-LIFT**

C515

ITEM	DESCRIPTION 1 2 3 4	LIFT HEIGHT TO BOTTOM OF FORKS
		6058 mm (238.5 in.)
		Mast Group Number C515 6058
2	Hose Assy	1370555
38	Chain	a182332

ITEM	PART NO.	DESCRIPTION	QTY
1	Free-Lift Cylinder (☞ Figure 10-9).....	1
2	b	Hose Assy	1
3	1370576	Clamp	1
4	292535	Capscrew	4
5	320161	Washer	4
6	1370521	Spacer	4
7	300937	Nut	4
8	1474912	Chain Guard	2
9	313828	Nut	1
10	320157	Washer	1
11	136681	Capscrew	1
12	178119	Clamp	1
13	16450	Fitting	1
14	1370518	Tube Assy	1
15	1370360	Stubshaft	1
16	292529	Capscrew	1
17	292683	Lockwasher	1
18	1381914	Washer (Nylon)	2
19	1370119	Crosshead	1
20	145641	Locknut (Prevailing Torque)	2
21	320159	Washer	2
22	1370194	Strap Clamp	1
23	1370516	Pin	1
24	310549	Pin	1
25	309007	Hose Sheave	1
26	16543	Connector	1
26	16486	O-Ring	1
27	1379489	Flow Valve	1
27	16485	O-Ring	1
28	293706	Capscrew	1
29	292687	Lockwasher	1
30	320169	Washer	1
31	292513	Capscrew	2
32	292682	Lockwasher	2
33	1381916	Chain Sheave	2
34	37752	Snap Ring	2
35	1378699	Ball Bearing	1
36	1370524	Hose Guide	4

**CARRIAGE
FOUR STAGE FULL FREE-LIFT**

ITEM	PART NO.	DESCRIPTION	QTY
	1379467	Carriage	1
1	1381570	Carriage Wldmt	1
2	1345216	Stubshaft	6
3	131358	Snap Ring	4
4	58901	Snap Ring	6
5	1333399	Load Roller	6
6	129387	Shim (0.020 in.)	AR
7	1369345	Chain Anchor (Dual Hole)	2
8	317735	Pin	2
9	1514866	Pin	2
10	15211	Cotter Pin	2
11	366115	Spacer	2

INTEGRAL SIDE-SHIFT CYLINDER**KEY:****A: E45-55XM2 (B507, B508, B509)****B: E60-65XM2 (B562, B563, B564, C515)**

ITEM	PART NO.	DESCRIPTION	QTY	
			A	B
	2043528	Sideshift Cylinder Assembly	1	..
	2043529	Sideshift Cylinder Assembly	1
1	1489016	Sideshift Cylinder	1	..
1	1489017	Sideshift Cylinder	1
2	1489037	Rod Seal	2	2
3	1489035	O-Ring	2	2
4	1498325	Retainer	2	2
5	1489039	Rod Wiper	2	2
	1503096	Kit-Seal	1	1

BATTERY SLIDE AND ROLLER TRAY

(→ S/N F108V17250 INC. 17260-17261, 17265-17271, 17301-17302 EXC. 17230-17233, 17282, 17290, 17300)

ITEM	PART NO.	DESCRIPTION	QTY
1	ab 1376815	Slide Platform	1
1	b 1376816	Slide Platform (Optional)	1
1	c 1376816	Slide Platform	1
2	1376437	Cam Roller	8
3	1382563	Slide Platform	4
4	ab 1376802	Roller Strip	1
4	b 1376803	Roller Strip (Optional)	1
4	c 1376803	Roller Strip	1
5	1376437	Cam Roller	36
6	a 1376804	Plate	1
6	b 1376806	Plate	1
6	c 1376808	Plate	1
7	1380845	Pivot	1
8	296168	Capscrew	4
9	313828	Nut	4
10	1380810	Gate	1
11	106223	Bushing	1
11	112604	Bushing (Optional)	1
12	221780	Washer	2
13	1360904	Washer (Spring)	1
14	227327	Capscrew	1
15	1380813	Pivot	1
16	15175	Lockwasher	2
17	3004531	Bushing	2
18	1380816	Latch	1
19	18543	Capscrew	1
20	15134	Washer	4
21	222667	Nut	1
22	1380849	Edge Protector	1
23	287851	Capscrew	4
24	292681	Lockwasher	4
25	1486245	Capscrew	6
26	230882	Locknut	6

FOOTNOTES:**a** 27.50 in. Battery Compartment**b** 33.38 in. Battery Compartment**c** 39.96 in. Battery Compartment

STROBE LIGHT**KEY:****A: Rear Mount****B: Top Mount**

ITEM	PART NO.	DESCRIPTION	QTY	
			A	B
1	1382130	Strobe Light	1	1
2	1673755	Lens	1	1
3	1673704	Lamp	1	1
4	1537683	Plate	1	..
5	1364588	Wire Harness (Strobe Light)	1	1
6	136749	Screw	2	..
7	239503	Nut	2	..
8	292681	Lockwasher	2	..
9	136704	Capscrew	4
10	313828	Nut	4
11	320157	Washer	1
12	164488	Clamp	1
13	1302024	Guard	1	1
14	220504	Screw	2	2
15	197067	Washer	4	4
16	15152	Lockwasher	2	2
17	15052	Nut	2	2
18	1364548	Bracket	2
19	1367645	Grommet	1	1
20	1305382	Grommet (Plate Type Overhead Guard)	1
24	1306271	Terminal	2	2

**HEADER HOSE CONVERSION KITS THREE STAGE FULL FREE-LIFT
2.0 - 2.5 TONS****THREE TO FOUR FUNCTION**

DESCRIPTION	LIFT HEIGHT TO BOTTOM OF FORKS		
	4310 mm (169.7 in.)	4760 mm (187.4 in.)	5510 mm (216.9 in.)
Mast Group Number	B508 4310	B508 4760	B508 5510
Kit-Hose Group 3 to 4 Way	1354653	1368670	1377306

TWO TO FOUR FUNCTION

DESCRIPTION	LIFT HEIGHT TO BOTTOM OF FORKS		
	4310 mm (169.7 in.)	4760 mm (187.4 in.)	5510 mm (216.9 in.)
Mast Group Number	B508 4310	B508 4760	B508 5510
Kit-Hose Group 2 to 4 Way	1381826	1381830	1381840

TWO TO THREE FUNCTION

DESCRIPTION	LIFT HEIGHT TO BOTTOM OF FORKS		
	4310 mm (169.7 in.)	4760 mm (187.4 in.)	5510 mm (216.9 in.)
Mast Group Number	B508 4310	B508 4760	B508 5510
Kit-Hose Group 2 to 3 Way	1381825	1381829	1381839

NUMERICAL INDEX (continued)

PART NO.	PAGE	ITEM	PART NO.	PAGE	ITEM	PART NO.	PAGE	ITEM	PART NO.	PAGE	ITEM
	8-5	5	222523	2-31			11-57	6		8-17	13
	9-3	5		5-3	35	239784	6-3	22		9-9	15
215212	10-3	5		5-26	10		11-8	13		9-13	4
	10-5	5	222584	6-3	31		11-8	13	287851	11-35	23
	10-7	5	222665	1-19	16	246001	5-17	23		11-37	20
216877	1-3	15	222667	11-35	21		10-32	47		11-39	36
	10-25	8	223389	7-7	1	246869	6-45	6		11-43	33
216895	3-15	2	226458	11-13	7		6-45	6	287854	1-12	31
	3-15	2		11-17	7	248196	2-31	21		6-7	18
218612	6-45	3		11-21	7		5-26	7	287860	1-3	12
220000	6-39	26	227323	11-37	8	251099	1-12	60		3-3	10
220003	6-39	23	227327	11-35	14		5-23	10		5-3	11
220289	5-3	29	230419	3-7	24	257913	7-10	5		5-23	27
	11-47	11	230421	3-7	18		7-12	5		8-32	29
	11-47	11	230443	3-3	32		7-14	4	292500	6-43	3
	11-47	11	230882	11-35	26		8-21	5	292501	4-3	41
	11-49	6		11-39	35		8-23	5		6-43	28
220312	5-23	12		11-43	20		9-26	5	292502	5-9	12
220361	6-25	20	230885	5-9	42		10-16	11		7-21	14
	6-33	22	231020	10-5	16		10-20	13		10-27	17
	6-33	22	231084	8-13	1	259781	11-2	3		10-31	4
	6-35	30	233141	11-60	7	259782	11-2	3	292504	2-26	4
220426	4-3	38	234038	3-7	3	261157	6-45	5		11-63	8
	11-43	1		3-11	11	261379	3-8	42	292505	2-3	21
220428	5-9	33	236901	2-37	5		3-11	23		2-7	21
	5-13	34		5-26	6	264007	11-47	2	292507	2-26	4
	5-25	14	237192	11-2	3	264134	11-37	22		10-27	30
	11-37	13	237208	11-2	3		11-39	25		10-31	30
220430	6-39	28	237213	11-3	3		11-43	11	292508	7-21	3
220504	11-55	14	237812	10-16	12	264159	3-11	7	292509	4-11	20
221341	6-39	21		10-17	3	264892	3-3	30	292512	2-11	21
	10-27	35	238637	8-13	5	264893	3-3	29		2-13	21
	10-31	24		8-17	5		3-7	29		2-13	29
221476	11-39	30	239503	1-7	12	266733	4-25	20	292513	3-15	19
	11-43	29		2-3	16		4-29	19		10-13	31
221521	3-8	41		2-7	16	269448	1-19	3	292515	1-11	10
	3-11	24		2-11	3	269449	1-19	4		3-3	43
221588	3-7	6		2-13	3	270077	10-16	8	292517	10-11	24
	3-11	14		2-13	30		10-18	10	292521	5-23	4
221680	3-3	1		3-15	6	271892	2-21	6	292526	8-13	33
221736	3-15	17		4-11	25		2-23	7		8-17	33
221763	1-12	39		5-9	4	271893	2-21	13	292529	1-3	13
221771	1-37	3		5-23	20		2-23	14		3-15	16
221773	1-19	7		6-3	7	273775	10-28	37		5-13	28
221777	1-17	6		6-3	7		10-32	38		8-13	15
221780	11-35	12		6-7	11	274075	2-21	14		9-9	16
	11-37	6		6-39	37		2-23	15		10-13	16
	11-39	3		6-40	47	276297	5-13	1	292530	8-17	15
	11-43	8		11-43	4	287816	1-12	45		9-13	16
221850	11-39	16		11-51	9		5-17	3	292531	10-11	6
222029	1-19	23		11-53	9		6-43	23	292532	7-7	9
222492	6-40	43		11-55	7	287837	8-13	13		8-9	14

NUMERICAL INDEX (continued)

PART NO.	PAGE	ITEM	PART NO.	PAGE	ITEM	PART NO.	PAGE	ITEM	PART NO.	PAGE	ITEM
1369345	7-17	6		10-31	16		6-52	58	1375771	11-3	1
	8-27	6	1370420	10-11	23	1374141	6-47	4	1375772	11-3	1
	9-29	6	1370469	10-28	38	1374142	6-47	2	1375773	11-3	1
	10-23	7		10-32	41	1374144	6-48		1375774	11-3	1
	11-13	17	1370470	10-28	39	1374145	6-51	44	1375848	1-19	14
	11-17	14		10-32	49	1374147	6-52			1-24	29
	11-21	14	1370508	10-27	15	1374148	6-51	2		1-27	36
1369356	7-7	6		10-31	10	1374179	1-23	1	1376120	9-33	4
	8-9	6	1370516	10-13	23	1374180	1-23	2		9-33	4
	8-17	18	1370517	10-11	4	1374188	1-23	9	1376127	8-31	1
	9-13	21	1370518	10-13	14	1374190	1-23	11		8-31	1
1369357	7-7	6	1370521	10-13	6	1374210	2-15	5	1376163	8-31	1
	8-9	6	1370524	10-13	36	1374236	2-15	3		8-31	1
	8-13	18	1370555	10-13	2	1374343	3-17	3	1376166	8-31	1
	9-9	21	1370576	10-13	3		3-19	3	1376338	1-37	1
	10-5	10	1370579	10-27	24		3-21	3	1376341	11-7	1
	10-9	7		10-31	17		3-23	3	1376423	7-19	10
1369360	11-8	16	1370580	10-27	22	1374750	1-19	17		8-29	10
1369362	11-8	16		10-31	23		1-24	34		9-31	10
1369548	9-26		1370728	6-43	27	1374798	11-58	1		10-25	10
1369549	8-23		1371096	9-33	6	1374815	4-25	33	1376424	7-19	9
1369606	7-21	1	1371289	11-7	9		4-29	33		8-29	9
	7-21	1	1371601	9-26		1374823	4-25	19		9-31	9
1369611	7-21	1	1371602	8-23			4-29	18		10-25	9
	7-21	1	1371605	8-23		1374826	4-29	20	1376425	6-11	8
1369640	9-33	4	1371606	9-26		1374846	3-11	35		6-19	8
	9-33	4	1371608	8-23		1374878	6-3	32	1376426	6-11	9
1370119	10-13	19	1371660	9-29			6-7	8	1376427	6-11	
1370158	10-27	25	1371661	9-29			6-11			6-19	
	10-31	20	1371662	7-17		1375022	5-7	10	1376437	11-35	2
1370187	10-5	13	1371663	7-17			5-10	53		11-35	5
1370191	10-5	14	1371746	6-11		1375023	5-7	11		11-37	26
1370194	10-13	22		6-19		1375024	5-7	10		11-37	28
1370205	10-3	1	1371803	11-8	17		5-10	53		11-39	33
1370245	10-7	1	1371804	11-8	16	1375036	5-9	20		11-43	19
1370257	10-11	21	1371944	10-27	31	1375048	5-7	12	1376439	11-47	4
1370258	10-11	21		10-31	27	1375049	5-7	12	1376440	11-47	5
1370259	10-11	21	1371947	10-27	29	1375168	11-51	15	1376441	11-47	6
1370318	10-28	40		10-32	39		11-53	15	1376446	11-47	7
	10-31	33	1372045	10-27	1	1375171	11-51	18	1376678	1-23	
1370319	10-28	42	1372065	10-27	2		11-53	5	1376679	1-23	
	10-31	15		10-31	21	1375172	11-51	18	1376680	1-23	
1370357	10-27	32	1372341	10-25	12		11-53	5	1376682	1-23	
	10-31	26	1372413			1375580	7-19	12	1376743	4-3	31
1370360	10-13	15	1372414				8-29	12	1376802	11-35	4
1370376	10-27	6	1372415				9-31	12		11-37	25
	10-31	19	1374081	5-7	11		10-25	12	1376803	11-35	4
1370377	10-27	27	1374135	6-47	13	1375595	10-3	13		11-35	4
	10-31	18		6-51	13	1375752	3-3	27		11-37	25
1370378	10-28	41	1374136	6-47	27	1375754	11-3	2	1376804	11-35	6
	10-31	32		6-51	27	1375756	11-3	2		11-37	24
1370379	10-28	43	1374138	6-47	44	1375758	11-3	2	1376806	11-35	6

CLICK HERE TO **DOWNLOAD** THE COMPLETE MANUAL

- Thank you very much for reading the preview of the manual.
- You can download the complete manual from: www.heydownloads.com by clicking the link below



- Please note: If there is no response to CLICKING the link, please download this PDF first and then click on it.

CLICK HERE TO **DOWNLOAD** THE COMPLETE MANUAL