

PARTS MANUAL

**E4.0XN, E5.0XN, E5.0XNS, E5.5XN
(A099)**

CUSTOMER EDITION

HYSTER

CLICK HERE TO **DOWNLOAD** THE COMPLETE MANUAL

- Thank you very much for reading the preview of the manual.
- You can download the complete manual from: www.heydownloads.com by clicking the link below



- Please note: If there is no response to CLICKING the link, please download this PDF first and then click on it.

CLICK HERE TO **DOWNLOAD** THE COMPLETE MANUAL

HOW TO USE THE ILLUSTRATED PARTS MANUAL

This parts manual describes and illustrates assemblies, subassemblies, and detail parts needed for service replacement.

The different constructions are indicated by keys and footnotes. The callouts correspond to descriptions found on the next page.

The diagram illustrates the layout of the illustrated parts manual with callouts 1 through 10 pointing to various sections and tables.

Callout 1: Points to the **SECTIONS** table.

Callout 2: Points to the **SECTION 11 NUMERICAL INDEX** table.

Callout 3: Points to the **TABLE OF CONTENTS** table.

Callout 4: Points to the **DESCRIPTION** column in the Table of Contents.

Callout 5: Points to the **PAGE** column in the Table of Contents.

Callout 6: Points to the **ITEM** column in the Transmission Housing table.

Callout 7: Points to the **DESCRIPTION** column in the Transmission Housing table.

Callout 8: Points to the **DESCRIPTION** column in the Transmission Housing table.

Callout 9: Points to the **QTY** column in the Transmission Housing table.

Callout 10: Points to the **TRANSMISSION HOUSING** table title.

Table 1: TABLE OF CONTENTS

DESCRIPTION	PAGE
ACCELERATOR/MONOTROL PEDAL.....	5-2
BACKUP ALARM	
BATTERY CONNECTOR	
BRAKE ASSEMBLY	
BRAKE MASTER CYLINDER	
BRAKE PEDAL LINKAGE	
CARRIAGE	
THREE STAGE FULL	
TWO STAGE FULL	
TWO STAGE LIMITED	
CONTROL VALVE	
COUNTERWEIGHT	
DASH DISPLAY	
DC-DC CONVERTER	

Table 2: SECTION 11 NUMERICAL INDEX

PART NO.	PG	ITEM	PART NO.	PG	ITEM	PART NO.	PG	ITEM
138	5-9	31	5-17	42	16481	6-25	3	6-7
139	5-13	31	7-13	8	6-25	4	16882	9-7
12921	3-12	10	1-4	45	6-25	53	16883	6-25
14269	5-5	8	5-9	16	6-25	65	16982	7-5
			5-13	16	10-3	16		8-5
			16	16	6-25	48	16989	9-5
			23	16	6-11	3		6-25
			42	16	16484	6-11	9	7-5
			34	16	6-13	101	17051	7-5
			13	16	6-25	7		9-5
			10	16	6-25	8	17061	6-25
			11	16	6-25	11	17151	3-9
			21	16	6-25	20	3-11	24
			27	16	9-7	7	17775	6-25
								22

Table 3: SECTIONS

1	ELECTRICAL
2	STEERING
3	ST
4	BRAKE/ACCEL
5	HYDRAULIC
6	MAST-TWO STAGE LIMITED
7	MAST-THREE STAGE LIMITED
8	MAST-TWO STAGE LIMITED
9	MAST-TWO STAGE LIMITED
10	MAST-TWO STAGE LIMITED
11	MAST-TWO STAGE LIMITED

Table 4: TRANSMISSION HOUSING (= S/N G160-2628)

ITEM	PART NO.	DESCRIPTION	QTY	
			A	B
		Transmission	1	1
	2022547	Transmission	1	1
	2023329	Transmission	2	2
	2064470	Case	4	4
1	2023418	Bearing Cap	1	1
2	296426	Washer	2	2
3	293692	Capscrew	2	2
4	2021390	Cover	4	4
5	1371656	Collar Pin	1	1
6	2021329	O-Ring	4	4
7	2021915	Plug	22	22
8	2021675	Housing	39	39
9	2021336	Pin	1	1
10	287860	Capscrew	1	1
11	292682	Lockwasher	8	8
12		Hydraulic Pump (see Figure 6-6)	8	8
13		Gasket	8	8
14	2021345	Capscrew	1	1
15	214364	Washer	1	1
16	296418	Temperature Switch	1	1
17	2021388	Breather	9	9
18	2021389	Dipstick	9	9
19	2021383	Capscrew	2	2
20	292515	Nut	3	3
21	136692	Capscrew	3	2
22	292527	Capscrew	4	4
23	292531	Lockwasher	4	4
24	292683	Lockwasher	4	4
25	293637	Capscrew	1	1
26	296420	Washer	1	1
	996403	Transmission Kit (Include Item 7)		
	996405	Transmission Kit (Include Item 14)		

Text at bottom of diagram:

This Parts Manual is divided into 11 major sections which are listed above. Quick reference can be made by placing the right thumb on the tab of the desired section, bending the bottom edge of the manual to the corresponding tab.

See Service Manual for service procedures.

©2001 HYSTER COMPANY

3-15

HP990135

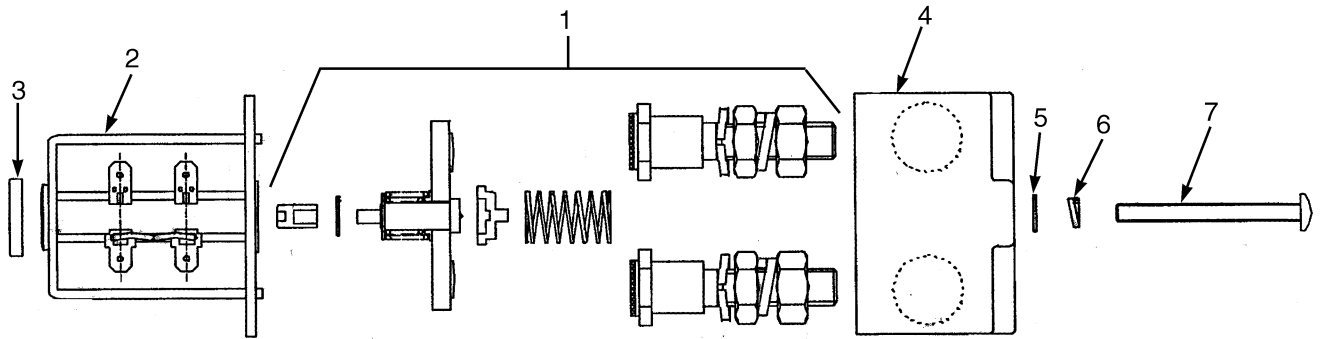
**FULL SUSPENSION SEAT
ELECTRO HYDRAULIC – SHEET 1 OF 2**

ITEM	PART NO.	DESCRIPTION	QTY
	c 2101602	Seat-Full Suspension (Vinyl-Maximum Travel)	1
	c 2101603	Seat-Full Suspension (Cloth-Maximum Travel)	1
	c 4603384	Seat-Full Suspension (Vinyl) (Swivel)	1
	c 4603385	Seat-Full Suspension (Cloth) (Swivel)	1
1	b 1703903	Kit-Cushion (Seat and Back, Vinyl)	1
1	b 1703900	Kit-Cushion (Seat and Back, Cloth)	1
2	b 1703901	Kit-Cushion (Back Cushion, Vinyl)	1
2	b 1703898	Kit-Cushion (Back Cushion, Cloth)	1
2	Back Cushion	1
2	Screw	2
3	b 1703902	Kit-Seat Cushion (Vinyl)	1
3	b 1703899	Kit-Seat Cushion (Cloth)	1
3	Seat Cushion	1
3	Spring	2
3	Cotter Pin	2
4	b 1703892	Kit-Weight Adjuster	1
4	Knob	1
4	Bushing	1
4	Washer	1
4	Pin	1
5	b 1703894	Kit-Service (Front Panel) (With Swivel)	1
5	Front Panel	1
5	Knob	1
5	Socket Head Capscrew	2
5	Roll Pin	1
5	b 1703893	Kit-Service (Front Panel) (Non Swivel)	1
5	Front Panel	1
5	Socket Head Capscrew	2
5	Roll Pin	1
6	b 1703904	Kit-Seat Rail	1
6	Locking Rail	1
6	Slave Rail	1
6	Bolt	4
6	Nut	4
7	4013095	Wire Harness	1
8	2099947	Armrest (LH)	1
8	1563230	Cushion (LH Armrest)	1
9	f 221353	Locknut	2
10	f 1581852	Washer	3
11	f 221536	Capscrew	1
12	g 18735	Screw	1
13	g 1512536	Washer	1
14	f 19901	Roll Pin	1
15	d 18462	Capscrew	1
16	d 4007318	Spacer	1
17	d 18471	Capscrew	1
18	169874	Nut	2
19	f 1598504	Kit-Seat Belt (Black)	1
19	f 1641250	Seat Belt (Red) (Option)	1
20	221542	Capscrew	1

**DASH AND STEERING COLUMN COVERS
FIXED COLUMN**

ITEM	PART NO.	DESCRIPTION	QTY
1	2101893	Cover (Steering Column Top) (Without Turn Signals)	1
1	2101895	Cover (Steering Column Top) (With Turn Signals)	1
2	2101791	Cover (Steering Column-Lower)	1
3	2101792	Cover (Steering Column-Upper)	1
4	1378550	Capscrew	4
5	2065667	Clip	2
6	2027655	Screw	6
7	1382311	Panel (End)	2
8	1382312	Panel (Center)	1
9	1382313	Cover	3
10	1695158	Plug	1
11	1531001	Insert	4
12	2071261	Capscrew	3
13	2071260	Capscrew	1
14	2096649	Dash Panel	1
15	Nameplate	1
16	170658	Rivet	4
17	389688	Nameplate Cover	1
18	325182	Nut	3
19	4611114	Cover	1
20	2022617	Capscrew	3
21	1695110	Bracket (Harness Support)	2

**CONTACTOR ASSEMBLY (FIGURE 2-7)
UL-E**



BP080708

ITEM	PART NO.	DESCRIPTION	QTY
	1553414	Contactor	1
1	1553428	Kit-Contactor	1
1	1553429	Contact (Fixed)	2
1	1532765	Contact	1
1	1495699	Spring	1
2	1553427	Coil	1
3	1454122	End Cap	1
4	383978	Cover	1
5	275672	Washer	2
6	2304572	Washer	2
7	302040	Screw	2

**MINI-LEVER CONTROLS
3 FUNCTION****KEY:****A: Without Directional Control Switch****B: With Directional Control Switch****C: Without Directional Control Switch, With RTST****D: With Directional Control Switch, With RTST**

ITEM	PART NO.	DESCRIPTION	QTY			
			A	B	C	D
1	2108514	Mini-Lever Assembly	1
1	2108517	Mini-Lever Assembly	1
1	2108499	Mini-Lever Assembly	1	..
1	2108505	Mini-Lever Assembly	1
2	Lever Position 1	1	1	1	1
2	2110791	Lever (Single Function)	1	1	1	1
3	Lever Position 2	1	1	1	1
3	2110791	Lever (Single Function)	1	1
3	2110793	Lever (With Override)	1	1
4	Lever Position 3	1	1	1	1
4	2110791	Lever (Single Function)	1	1	1	1
5	Lever Position 4	1	1	1	1
5	2108249	Plug	1	1	1	1
6	2111799	Armrest (Without Push Buttons)	1	1
6	4603439	Armrest (With Push Buttons)	1	1
7	2111769	Cushion (Armrest)	1	1	1	1
8	1709587	Nut	5	5	5	5
9	1703513	Screw	9	9	9	9
10	2111801	Wire Harness	1	1	1	1
11	2111768	Switch (E-Stop) (Emergency Switch)	1	1	1	1
12	2107320	Push Button Switch	1	1	1	1
13	1704528	Push Button (Position 2)	1	1
13	ab 1705359	Cover (Push Button)	AR	AR	AR	AR
14	1704529	Wire Harness (Forward/Reverse Switch in the MLM)	1	1
15	4605337	Printed Circuit Board	1	1	1	1
16	2111800	Cover (Bottom Armrest)	1	1	1	1
17	2111770	Horn Button	1	1	1	1
18	2110943	Switch (Directional Control)	1	..	1
19	2110942	Plug (Directional Control Switch)	1	..	1	..
20	1698449	Capscrew	8	8	8	8

FOOTNOTES:**a** Not Illustrated**b** Plug for Use Without Push Button

TURN SIGNAL

ITEM	PART NO.	DESCRIPTION	QTY
1	4610569	Wire Harness (Lights With Turn Signals) (☞ Figure 2-23).....	1
2	4608393	Wire Harness (Turn Signal) (☞ Figure 2-37).....	1
3	2111180	Switch Assembly (☞ Figure 2-36).....	1
4	1694442	Flasher	1
5	4019192	Clip	1
6	296153	Capscrew	1
7	1702593	Bracket (Guide)	1
8	302027	Screw	2
9	1702594	Bracket (Turn Signal)	1
10	227147	Self Tapping Screw	2
11	1702595	Spacer (Turn Signal) (Telescoping)	1
	a 1531485	Clip	1

FOOTNOTES:

a Not Illustrated

**WIRE HARNESS
LIGHTS – LEFT HAND W/TURN SIGNALS**

ITEM	PART NO.	DESCRIPTION	QTY
	4610569	Wire Harness (Lights With Turn Signals) (LH)	1
1	Connector Assembly (Main Light Harness)	1
1	1623050	Housing	1
1	1330437	Terminal (Pin)	2
1	1531312	Terminal	6
1	1330418	Connector (Secondary Lock)	1
2	275495	Conduit	AR
3	275493	Conduit	AR
4	Connector Assembly (Turn Signal Harness)	1
4	1484397	Connector (3-Way)	1
4	1597773	Terminal	3
4	1463194	Connector (Secondary Lock)	1
5	275496	Conduit	AR
6	Connector Assembly (RH Tail Light)	1
6	1531973	Connector	1
6	1484377	Plug	1
6	1463141	Terminal (Socket)	5
6	1531974	Connector (Secondary Lock)	1
7	275494	Conduit	AR
8	Connector Assembly (Strobe Light)	1
8	1484557	Connector (2 Socket)	1
8	1463139	Terminal	1
8	1463141	Terminal (Socket)	1
8	1484558	Connector (Secondary Lock)	1
9	Connector Assembly (Rear Work Light)	1
9	1490242	Connector (2 Way)	1
9	1597773	Terminal	2
9	1490243	Connector (Secondary Lock)	1
10	Connector Assembly (LH Tail Light)	1
10	1531973	Connector	1
10	1463141	Terminal (Socket)	5
10	1484377	Plug	1
10	1531974	Connector (Secondary Lock)	1
11	Connector Assembly (Dome Light w/ Switch)	1
11	1493462	Connector	1
11	1463141	Terminal (Socket)	2
11	1484377	Plug	1
11	1493464	Connector (Secondary Lock)	1
12	Connector Assembly (LH Front Marker)	1
12	1484397	Connector (3-Way)	1
12	1597773	Terminal	3
12	1463194	Connector (Secondary Lock)	1
13	Connector Assembly (Work Light Front LH)	1
13	1490242	Connector (2 Way)	1
13	1597773	Terminal	2
13	1490243	Connector (Secondary Lock)	1

WIRE HARNESS
MAIN – MANUAL-HYDRAULIC SHEET 3 OF 3

ITEM	PART NO.	DESCRIPTION	QTY
	4610566	Wire Harness (Main) (With Manual Hydraulics)	1
1	Connector Assembly (Enable Relay)	1
1	2100204	Receptacle	1
1	4056908	Terminal	1
1	4056907	Terminal	3
2	275493	Conduit	AR
3	275494	Conduit	AR
4	Connector Assembly (Key Switch Relay)	1
4	1377860	Connector	1
4	4001753	Terminal	2
4	1706004	Terminal	2
5	Connector Assembly (Accelerator Pedal Position Sensor)	1
5	1525584	Connector	1
5	1354237	Terminal	6
6	275495	Conduit	AR
7	Connector Assembly (Direction Select Sensor)	1
7	1463189	Connector	1
7	1463141	Terminal (Socket)	4
7	1463196	Connector (Secondary Lock)	1
8	Connector Assembly (Lift Pressure)	1
8	1525595	Connector	1
8	1525596	Terminal	3
8	1533810	Seal	3
9	Connector Assembly (Manual Hydraulic Spool Position Sensor)	1
9	1525567	Connector	1
9	1463141	Terminal (Socket)	12
9	1529046	Connector (Secondary Lock)	1
10	275497	Conduit	AR
11	Connector Assembly (Clamp Coil)	1
11	1484557	Connector (2 Socket)	1
11	1463141	Terminal (Socket)	1
11	1463139	Terminal	1
11	1484558	Connector (Secondary Lock)	1
12	Connector Assembly (Manual Hydraulic Coil)	1
12	1484557	Connector (2 Socket)	1
12	1463141	Terminal (Socket)	1
12	1463139	Terminal	1
12	1484558	Connector (Secondary Lock)	1
13	Connector Assembly (Manual Hydraulic Coil)	1
13	1484557	Connector (2 Socket)	1
13	1463139	Terminal	1
13	1463141	Terminal (Socket)	1
13	1484558	Connector (Secondary Lock)	1
14	1509890	Clip	1
15	1402815	Clip	1
16	Connector Assembly (Display Harness)	1
16	1541991	Connector	1
16	1463139	Terminal	1
16	1463141	Terminal (Socket)	6
16	1484377	Plug	1

**WIRE HARNESS
SEAT – E-HYDRAULIC**

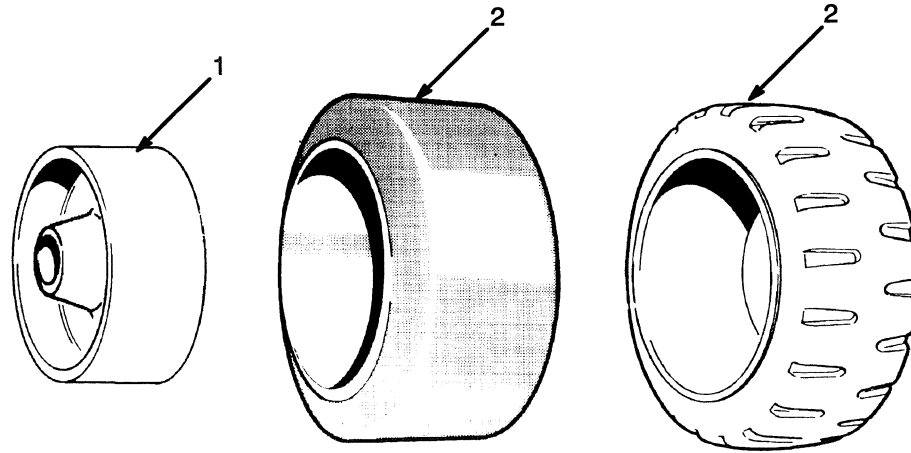
ITEM	PART NO.	DESCRIPTION	QTY
	2104030	Wire Harness (Seat)	1
1	Connector Assembly (MLM Joystick / Armrest)	1
1	1502625	Connector	1
1	1330438	Terminal (Socket)	7
1	1484377	Plug	1
1	1502626	Connector (Secondary Lock)	1
2	1699754	Conduit	AR
3	Connector Assembly (Main Harness)	1
3	1500925	Connector	1
3	1330437	Terminal (Pin)	11
3	1484377	Plug	1
3	1352603	Secondary Lock (Secondary Lock)	1
4	Connector Assembly (Seat Sensor)	1
4	1531973	Connector	1
4	1463141	Terminal (Socket)	4
4	1484377	Plug	2
4	1531974	Connector (Secondary Lock)	1

ITEM	PART NO.	DESCRIPTION	QTY
	4608393	Wire Harness (Turn Signal)	1
1	Connector Assembly (Turn Signal Switch Harness)	1
1	1463189	Connector	1
1	1484377	Plug	1
1	1463139	Terminal	3
1	1463196	Connector	1
2	275494	Conduit	AR
3	Connector Assembly (LH Overhead Guard w/ Turn Signal Harness)	1
3	1493466	Connector	1
3	1330437	Terminal (Pin)	3
3	1330415	Connector (Secondary Lock)	1
4	Connector Assembly (Flasher)	1
4	2100204	Receptacle	1
4	1689606	Terminal	3
5	Connector Assembly (Display Freezer Harness)	1
5	1489656	Connector (4-Way)	1
5	1330438	Terminal (Socket)	4
5	1489657	Connector (Secondary Lock)	1
6	Connector Assembly (Lights Main Harness)	1
6	1489655	Connector (4 Way)	1
6	1330437	Terminal (Pin)	3
6	1484377	Plug	1
6	1330416	Connector (Secondary Lock) (Secondary Lock)	1

STEER AXLE
WITHOUT SYNCHRONUS STEERING OPTION

ITEM	PART NO.	DESCRIPTION	QTY
	1552973	Steering Axle Assembly	1
1	1581295	Steering Axle (Frame)	1
1	2073193	Frame	1
2	1507047	Spindle (LH)	1
3	13963	Grease Fitting	2
3	16040	Grease Fitting (Option)	2
4	1388829	Dust Cap	2
5	153716	Seal	2
6	230421	Bearing Cup	2
7	153715	Bearing Cone	2
8	153717	Wear Sleeve	2
9	15235	Cotter Pin	2
10	21110	Nut	2
11	1508022	Washer	2
12	1507393	Spindle (RH)	1
13	266733	Seal	2
14	1507898	Tie Rod (Assembly)	2
15	1507561	Tie Rod	1
16	185872	Bushing	1
17	Grease Fitting	1
18	127045	Clamp (Hose)	2
19	185869	Boot	2
20	119236	Clamp	2
21	58903	Snap Ring	4
22	1568271	Pin	2
23	293686	Capscrew	8
24	2071097	Steering Cylinder (☞ Figure 4-6).....	1
25	293628	Capscrew	6
26	266728	Seal	2
27	39678	O-Ring	2
28	4009696	Bearing Cap	1
29	370466	Bearing Cap	2
30	4006723	Bearing Set (Option)	1
30	1374823	Bearing Set	1
30	135657	Bearing Cone	2
31	135658	Bearing Cup	2
32	16009	Grease Fitting	2
33	185856	Shim (0.127 mm)	AR
33	185857	Shim (0.178 mm)	AR
33	185858	Shim (0.508 mm)	AR
34	1525354	Rubber Mount	2
35	293686	Capscrew	4
36	320165	Washer	8
37	292658	Nut	4
38	1582299	Plate	2
39	69029	Cap	2
40	1383777	Nut	2
41	56997	Cotter Pin	2
42	1383775	Washer	2
43	153835	Bearing Cone	2

STEER TIRE AND WHEEL (FIGURE 4-8)



HP000278

KEY:

A: E4.00XN (18x6x12-1/8)

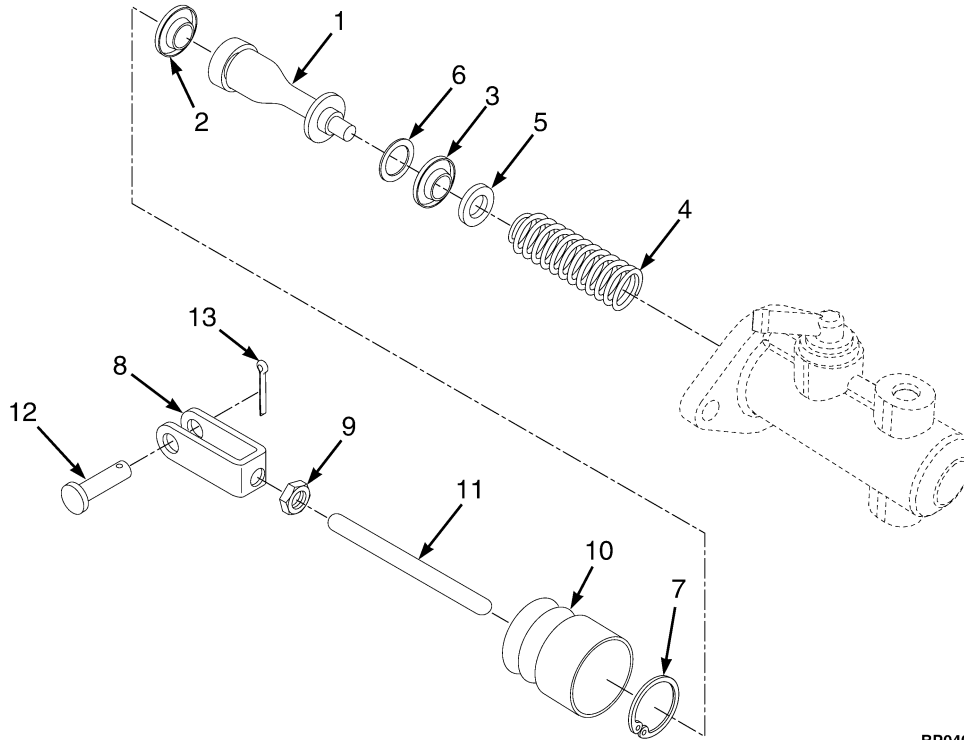
B: E4.0-5.50XN/E5.0XNS (18x7x12-1/8)

ITEM	PART NO.	DESCRIPTION	QTY	
			A	B
	375333	Wheel and Tire (Smooth Tread Electric Compound)	2	
	375335	Wheel and Tire (Lug Tread Electric Compound)	2	
	4045644	Wheel And Tire (Lug Tread Non-Marking)	2	..
	1541537	Wheel And Tire (Plain Tread Standard Compound)	2
	1541538	Wheel And Tire (Lug Tread)	2
	4045581	Wheel And Tire (Lug Tread Non-Marking)	2
1	370444	Wheel	2	2
2	806223	Cushion Tire (Lug Tread Electric Compound)	1	..
2	259648	Cushion Tire (Smooth Tread Electric Compound)	1	..
2	4617512	Cushion Tire (Lug Tread Non Marking)	1	..
2	1541486	Cushion Tire (Smooth) (Plain Tread Standard Compound)	1
2	1541490	Cushion Tire (Lug Tread)	1
2	1655324	Cushion Tire (Lug Tread Non-Marking)	1
	a 376026	Wheel Nut	16	16

FOOTNOTES:

a Not Illustrated

MASTER CYLINDER (FIGURE 5-4)



BP040217

ITEM	PART NO.	DESCRIPTION	QTY
	4040621	Master Cylinder	1
1	Piston Assembly	1
2	Seal	1
3	Seal	1
4	Spring	1
5	Bushing	1
6	Washer	1
7	Snap Ring	1
8	Clevis	1
9	Nut	1
10	Boot	1
11	Rod	1
12	1378435	Pin	1
13	1351689	Locking Cotter Pin	1
	4055341	Kit-Repair Master Cylinder (Major)	1
	4055342	Kit-Repair Master Cylinder (Minor)	1

CLICK HERE TO **DOWNLOAD** THE COMPLETE MANUAL

- Thank you very much for reading the preview of the manual.
- You can download the complete manual from: www.heydownloads.com by clicking the link below



- Please note: If there is no response to CLICKING the link, please download this PDF first and then click on it.

CLICK HERE TO **DOWNLOAD** THE COMPLETE MANUAL

HYDRAULIC MOTOR ASSEMBLY

ITEM	PART NO.	DESCRIPTION	QTY
	4609557	Hydraulic Motor (Assembly)	1
1	4029186	Base	1
2	4029185	Screw	2
3	4029184	Terminal	1
4	296419	Washer	3
5	296128	Nut	3
6	1591542	Screw	3
7	136692	Nut	3
8	292682	Lockwasher	3
9	4029189	Seal	1
10	4029188	Ball Bearing	1
11	1507307	O-Ring	1
12	4029187	Shield	1
13	4029195	Stator	1
14	4029194	Rotor	1
15	4029192	Tie Rod	4
16	1471800	Bearing	1
17	4028639	Screw	1
18	1700507	Ring	1
19	1700505	Wheel	1
20	4028740	Sensor	1
21	384277	Disk	1
22	4029191	O-Ring	1
23	1591532	Connector	1
24	4029190	Shield	1
25	1591527	Connector	1
26	1591528	Terminal	6
27	1591531	Plug	6
28	1552052	Thermal Sensor	1
28	2787345	Connector (2 Way)	2
28	1708184	Contact	2
28	2795594	Wire Seal	2
	a 4029193	Cover	1
	a 293741	Capscrew	2

FOOTNOTES:**a** Not Illustrated

**HYDRAULIC CONTROL VALVE
INLET SECTION – MANUAL HYDRAULIC**

ITEM	PART NO.	DESCRIPTION	QTY
	1701670	Valve Section	1
1	Fitting (45 Degree Optional)	4
2	1696296	O-Ring	3
3	1696300	Back-Up Ring	2
4	1696299	O-Ring	1
5	222442	Fitting	2
5	204128	Plug	1
5	16481	O-Ring	1
6	1696298	O-Ring	4
7	1696306	O-Ring	2
8	1696297	O-Ring	2
9	235691	Fitting	1
9	16484	O-Ring	1
10	1696309	Back-Up Ring	1
11	1696308	O-Ring	2
12	222443	Fitting	1
12	16483	O-Ring	1
13	1696311	O-Ring	1
14	1696310	O-Ring	3
15	1545546	Fitting (90 Degree Optional)	1
16	2061646	Fitting (Diagnostic)	2
17	Fitting (90 Degree Optional)	1
18	Fitting	1
19	Fitting	1
20	Fitting	1
	1696414	Kit-Seal	1

TILT CYLINDER AND ATTACHING PARTS

ITEM	PART NO.	DESCRIPTION	QTY
1	1615240	Capscrew	4
2	1581564	Lockwasher	4
3	241079	Anchor	4
4	16001	Grease Fitting	2
5	1570303	Pin	4
6	1566792	Rod End	2
7	Tilt Cylinder (☞ Figure 6-17).....	2
8	192429	Bushing	2
9	16015	Grease Fitting	2
10	1597381	Capscrew	2
11	1581852	Washer	2
12	1581848	Nut	2

MAIN LIFT
TWO STAGE LIMITED FREE-LIFT (PENDING PER ECN 15482601 →)

E4.0XN

ITEM	DESCRIPTION 1 2 3 4	LIFT HEIGHT TO BOTTOM OF FORKS			
		3000 mm (118.1 in.)	3300 mm (129.9 in.)	3600 mm (141.7 in.)	3700 mm (145.7 in.)
		Mast Group Number	B586 3000	B586 3300	B586 3600
2	Chain	243975	191085	365599	191089
3	Hose Assy (RH)	1399084	1399090	1399096	1399098
4	Hose Assy (LH)	1399098	1399104	1399110	1399112

E4.0XN

ITEM	DESCRIPTION 1 2 3 4	LIFT HEIGHT TO BOTTOM OF FORKS	
		4300 mm (169.3 in.)	5000 mm (196.9 in.)
		Mast Group Number	B586 4300
2	Chain	144744	138230
3	Hose Assy (RH)	1399110	1399128
4	Hose Assy (LH)	1399124	1399142

E5.0-5.5XN/E5.0XNS

ITEM	DESCRIPTION 1 2 3 4	LIFT HEIGHT TO BOTTOM OF FORKS			
		3040 mm (119.7 in.)	3340 mm (131.5 in.)	3940 mm (155.1 in.)	4040 mm (159.1 in.)
		Mast Group Number	B587 3040	B587 3340	B587 3940
2	Chain	347243	356916	1395480	1395481
3	Hose Assy (RH)	1399085	1399091	1399103	1399105
4	Hose Assy (LH)	1399099	1399105	1399117	1399119

E5.0-5.5XN/E5.0XNS

ITEM	DESCRIPTION 1 2 3 4	LIFT HEIGHT TO BOTTOM OF FORKS		
		4740 mm (186.6 in.)	5340 mm (210.2 in.)	5940 mm (233.9 in.)
		Mast Group Number	B587 4740	B587 5340
2	Chain	1395487	1395493	1395500
3	Hose Assy (RH)	1399123	1399139	1399155
4	Hose Assy (LH)	1399137	1399153	1399169

ITEM	PART NO.	DESCRIPTION	QTY
------	----------	-------------	-----

CARRIAGE
TWO STAGE LIMITED FREE-LIFT**KEY:****A: B586 Mast Series****B: B587 Mast Series****C: B587 Mast Series (Attachment)**

ITEM	PART NO.	DESCRIPTION	QTY		
			A	B	C
	1401660	Carriage (1067 mm)	1
	1401662	Carriage (1067 mm)	1	..
	2095541	Carriage (1067 mm)	1
	1401661	Carriage (1219 mm)	1
	1401663	Carriage (1219 mm)	1	..
	2095542	Carriage (1219 mm)	1
1	1401630	Carriage Wldmt (1067 mm)	1
1	1401632	Carriage Wldmt (1067 mm)	1	..
1	1653908	Carriage Wldmt (1067 mm)	1
1	1401631	Carriage Wldmt (1219 mm)	1
1	1401633	Carriage Wldmt (1219 mm)	1	..
1	1653909	Carriage Wldmt (1219 mm)	1
2	1511883	Load Roller ("B") (104.44/104.18)	6	6	6
3	126765	Shim	AR	AR	AR
4	1465072	Snap Ring	6	6	6
5	1399224	Spacer	2	2	2
6	1387285	Chain Anchor (E4.0XN)	2
6	1387286	Chain Anchor (E5.0-5.5XN/E5.0XNS)	2	2
7	327591	Pin	2
7	339932	Pin	2	2
8	15222	Cotter Pin	2	2	2
9	1581896	Nut	4	4	4
10	15224	Cotter Pin	2	2	2
11	1670064	Thrust Bearing (Side Thrust Roller)	2	2	2
12	66333	Roll Pin	2	2	2
13	1465177	Bracket (Roller)	2	2	2
14	192425	Shim (1.575 mm)	AR	AR	AR
15	192424	Shim (0.762 mm)	AR	AR	AR
16	1670065	Pin	2	2	2
17	4048814				
	292528	Capscrew	4	4	4
18	292683	Lockwasher	4	4	4
19	Grease Fitting	2	2	2
	1516221	Kit	1	1	..

8

MAST-THREE STAGE FULL FREE-LIFT

FREE-LIFT
THREE STAGE FULL FREE-LIFT (PENDING PER ECN 15482601 →)

E4.0XN

ITEM	DESCRIPTION 1 2 3 4	LIFT HEIGHT TO BOTTOM OF FORKS			
		4365 mm (171.9 in.)	4900 mm (192.9 in.)	5500 mm (216.5 in.)	5950 mm (234.3 in.)
		Mast Group Number B588 4365	B588 4900	B588 5500	B588 5950
26	Hose Assy	2072865	2072868	2072872	2072875
27	Chain	320395	297640	337189	337190

E5.0-5.5XN/E5.0XNS

ITEM	DESCRIPTION 1 2 3 4	LIFT HEIGHT TO BOTTOM OF FORKS				
		4087 mm (160.9 in.)	4640 mm (182.7 in.)	4940 mm (194.5 in.)	5240 mm (206.3 in.)	5690 mm (224.0 in.)
		Mast Group Number B589 4087	B589 4640	B589 4940	B589 5240	B589 5690
26	Hose Assy	2072865	2072868	2072870	2072872	2072875
27	Chain	320714	386885	297640	337180	320396

ITEM	PART NO.	DESCRIPTION	QTY
1	2036778	Hose Sheave	1
2	1387552	Stubshaft	1
3	1581564	Lockwasher	3
4	1581559	Washer	1
5	1581592	Capscrew	1
6	221628	Capscrew	2
7	1387479	Hose Clamp	1
8	1581565	Nut	2
9	1581578	Capscrew	2
10	a 1550195	Hyd Velocity Fuse (Free-Lift Cylinder)	1
10	b 1550196	Hyd Velocity Fuse (Free-Lift Cylinder)	1
10	16487	O-Ring	1
10	280154	O-Ring	1
11	Free-Lift Cylinder (☞ Figure 8-9).....	1
12	1387281	Pin	1
13	1389825	Crosshead	1
14	1581559	Washer	2
15	302493	Roll Pin	1
16	1387519	Guard	2
17	302472	Roll Pin	4
18	1581589	Capscrew	2
19	1387743	Chain Sheave Assembly	2
19	1387740	Chain Sheave	1
20	41531	Snap Ring	2
21	126764	Double Row Bearing	1
22	304527	Snap Ring	2
23	a 1694479	Clamp (One Piece Formed Bracket)	1

**HEADER HOSE
THREE STAGE FULL FREE-LIFT
FIVE FUNCTION E4.0XN**

ITEM	DESCRIPTION 1 2 3 4	LIFT HEIGHT TO BOTTOM OF FORKS			
		4365 mm (171.9 in.)	4900 mm (192.9 in.)	5500 mm (216.5 in.)	5950 mm (234.3 in.)
		Mast Group Number B588 4365	B588 4900	B588 5500	B588 5950
	Mast Assy	2078199	2078202	2078206	2078209
1	Hose Assy	2078413	2078416	2078420	2078423
2	Hose Assy	2078413	2078416	2078420	2078423
31	Hose Assy	2077914	2077914	2077914	2077915
32	Hose Assy	2078050	2078054	2078058	2078062

FOUR FUNCTION E4.0XN

ITEM	DESCRIPTION 1 2 3 4	LIFT HEIGHT TO BOTTOM OF FORKS			
		4365 mm (171.9 in.)	4900 mm (192.9 in.)	5500 mm (216.5 in.)	5950 mm (234.3 in.)
		Mast Group Number B588 4365	B588 4900	B588 5500	B588 5950
	Mast Assy	2078199	2078202	2078206	2078209
1	Hose Assy	2078413	2078416	2078420	2078423
2	Hose Assy	2078413	2078416	2078420	2078423

THREE FUNCTION E4.0XN

ITEM	DESCRIPTION 1 2 3 4	LIFT HEIGHT TO BOTTOM OF FORKS			
		4365 mm (171.9 in.)	4900 mm (192.9 in.)	5500 mm (216.5 in.)	5950 mm (234.3 in.)
		Mast Group Number B588 4365	B588 4900	B588 5500	B588 5950
	Mast Assy	2078199	2078202	2078206	2078209
1	Hose Assy	2078413	2078416	2078420	2078423

**MAIN LIFT CYLINDER
TWO STAGE FULL FREE-LIFT****LEFT HAND**

ITEM	DESCRIPTION 1 2 3 4	LIFT HEIGHT TO BOTTOM OF FORKS			
		3025 mm (119.1 in.)	3325 mm (130.9 in.)	3625 mm (142.7 in.)	3725 mm (146.7 in.)
		Mast Group Number	B590 3025	B590 3325	B590 3625
	Cylinder Group Number	8503251	8503254	8503257	8503258
	Cylinder Assy	2073992	2073995	2073998	2073999
1	Tube Wldmt- Cylinder	2074022	2074025	2074042	2074043
8	Cylinder Rod	1400551	1400554	1400557	1400558

RIGHT HAND

ITEM	DESCRIPTION 1 2 3 4	LIFT HEIGHT TO BOTTOM OF FORKS			
		3025 mm (119.1 in.)	3325 mm (130.9 in.)	3625 mm (142.7 in.)	3725 mm (146.7 in.)
		Mast Group Number	B590 3025	B590 3325	B590 3625
	Cylinder Group Number	8503201	8503204	8503207	8503208
	Cylinder Assy	2073953	2073956	2073968	2073969
1	Tube Wldmt- Cylinder	2074022	2074025	2074042	2074043
8	Cylinder Rod	1400501	1400504	1400507	1400508

LEFT HAND

ITEM	DESCRIPTION 1 2 3 4	LIFT HEIGHT TO BOTTOM OF FORKS		
		3025 mm (119.1 in.)	3325 mm (130.9 in.)	3625 mm (142.7 in.)
		Mast Group Number	B591 2765	B591 3065
	Cylinder Group Number	8503351	8503354	8503357
	Cylinder Assy	2074126	2074129	2074138
1	Tube Wldmt- Cylinder	2074022	2074025	2074042
8	Cylinder Rod	1400851	1400854	1400857

**HEADER HOSE
TWO STAGE FULL FREE-LIFT
FIVE FUNCTION E4.0XN**

ITEM	DESCRIPTION 1 2 3 4	LIFT HEIGHT TO BOTTOM OF FORKS			
		3025 mm (119.1 in.)	3325 mm (130.9 in.)	3625 mm (142.7 in.)	3725 mm (146.7 in.)
		B590 3025	B590 3325	B590 3625	B590 3725
	Mast Assy	2078243	2078246	2078249	2078250
1	Hose Assy	2078589	2078592	2078595	2078596
2	Hose Assy	2078625	2078628	2078631	2078632
3	Channel	1550391	1550394	1550397	1550398
4	Channel	1611928	1617455	1611934	1611935
5	Hose Assy	2078655	2078658	2078661	2078662
6	Hose Assy	2077914	2077914	2077914	2077914
8	Hose Assy	2078050	2078053	2078056	2078057

FOUR FUNCTION E4.0XN

ITEM	DESCRIPTION 1 2 3 4	LIFT HEIGHT TO BOTTOM OF FORKS			
		3025 mm (119.1 in.)	3325 mm (130.9 in.)	3625 mm (142.7 in.)	3725 mm (146.7 in.)
		B590 3025	B590 3325	B590 3625	B590 3725
	Mast Assy	2078243	2078246	2078249	2078250
1	Hose Assy	2078589	2078592	2078595	2078596
2	Hose Assy	2078625	2078628	2078631	2078632
3	Channel	1550391	1550394	1550397	1550398
4	Channel	1611928	1617455	1611934	1611935
5	Hose Assy	2078655	2078658	2078661	2078662
6	Hose Assy	2077914	2077914	2077914	2077914
7	Hose Assy	2078050	2078053	2078056	2078057

ACCUMULATOR

ITEM	PART NO.	DESCRIPTION	QTY
1	1695807	Accumulator	1
2	1609864	Spacer	2
3	4031653	Strap Clamp	2
4	2091868	Hose Assy	1
5	1487096	Fitting	1
5	252729	O-Ring	3

DC CONVERTER AND ATTACHING PARTS

ITEM	PART NO.	DESCRIPTION	QTY
1	4611250	Wire Harness (DC-DC Converter)	1
2	Connector Assembly (ACC Wire Harness)	2
2	1330419	Connector	2
2	1330424	Connector (Secondary Lock)	2
2	1330438	Terminal (Socket)	4
3	Connector Assembly (DC-DC Converter)	1
3	1554879	Connector	1
3	1554877	Terminal (Socket)	1
3	1682736	Terminal (Socket)	1
4	1626727	Connector (Socket Cover)	1
5	1493458	E-Ring	1
6	1301784	E-Spade	1
7	275494	Conduit	AR
8	275493	Conduit	AR
9	1606544	Clamp	5
10	1502066	Clamp	5
11	1566420	Nut	2
12	1527876	Capscrew	2
13	2066644	DC-DC Converter (72V/80V to 12V)	1
14	Control Panel (☞ Figure 2-5).....	1
	a 4002299	Fuse Holder	2

FOOTNOTES:**a** Not Illustrated

**INTEGRAL SIDE-SHIFT
TWO STAGE FULL FREE-LIFT – E4.0XN**

ITEM	PART NO.	DESCRIPTION	QTY
	4614210	Side-Shift Carriage (1067 mm.)	1
	4614197	Side-Shift Carriage (1219 mm.)	1
1	4613968	Carriage (Frame) (1067 mm.) (☞ Figure 10-15).....	1
1	4613969	Carriage (Frame) (1219 mm.) (☞ Figure 10-16).....	1
2	1511883	Load Roller ("B") (104.44/104.18)	6
3	126765	Shim	24
4	1465072	Snap Ring	6
5	1399224	Spacer	2
6	66333	Roll Pin	2
7	1670064	Thrust Bearing (Side Thrust Roller)	2
8	317292	Spacer	4
9	1465177	Bracket	2
10	192425	Shim (1.575 mm)	6
11	192424	Shim (0.762 mm)	8
12	1670065	Pin	2
13	4048814		
	292528	Capscrew	4
14	292683	Lockwasher	4
15	319323	Bracket Wldmt (Guard LH)	1
16	15155	Lockwasher	4
17	18518	Capscrew	4
18	319322	Bracket Wldmt (Guard RH)	1
19	131358	Snap Ring	2
20	1624590	Chain Anchor	2
21	339932	Pin	2
22	1624589	Pin	2
23	15222	Cotter Pin	2
24	1473897	Fitting	2
25	2092860	Hose Assy	1
26	2092858	Hose Assy	1
27	1516202	Fitting	1

INTEGRAL SIDE-SHIFT
TWO AND THREE STAGE FULL FREE-LIFT – E5.0-5.5XN/E5.0XNS

KEY:**A: B591 Mast Series****B: B589 Mast Series**

ITEM	PART NO.	DESCRIPTION	QTY	
			A	B
	b 4614226	Side-Shift Carriage (1219 mm.)	1	..
	a 4614209	Side-Shift Carriage (1219 mm.)	1
1	b 4613970	Carriage (Frame) (1219 mm.) (☞ Figure 10-20).....	1	..
1	a 4613967	Carriage (Frame) (1219 mm.) (☞ Figure 10-21).....	..	1
2	1511883	Load Roller ("B") (104.44/104.18)	6	6
3	126765	Shim	24	24
4	1465072	Snap Ring	6	6
5	1399224	Spacer	2	2
6	66333	Roll Pin	2	2
7	1670064	Thrust Bearing (Side Thrust Roller)	2	2
8	317292	Spacer	4	4
9	1465177	Bracket	2	2
10	192425	Shim (1.575 mm)	AR	AR
11	192424	Shim (0.762 mm)	AR	AR
12	1670065	Pin	2	2
13	4048814 292528	Capscrew	4	4
14	292683	Lockwasher	4	4
15	319323	Bracket Wldmt (Guard LH)	1	1
16	15155	Lockwasher	4	4
17	18518	Capscrew	1	1
17	18520	Capscrew	3	3
18	319322	Bracket Wldmt (Guard RH)	1	1
19	131358	Snap Ring	2	2
20	1624590	Chain Anchor	2	2
21	339932	Pin	2	2
22	1624589	Pin	2	2
23	15222	Cotter Pin	2	2
24	1473897	Fitting	1	1
25	2092859	Hose Assy	1	1
26	2092846	Hose Assy	1	1
27	1473887	Fitting	1	1

FOOTNOTES:**a** Three Stage Full Free-Lift**b** Two Stage Full Free-Lift

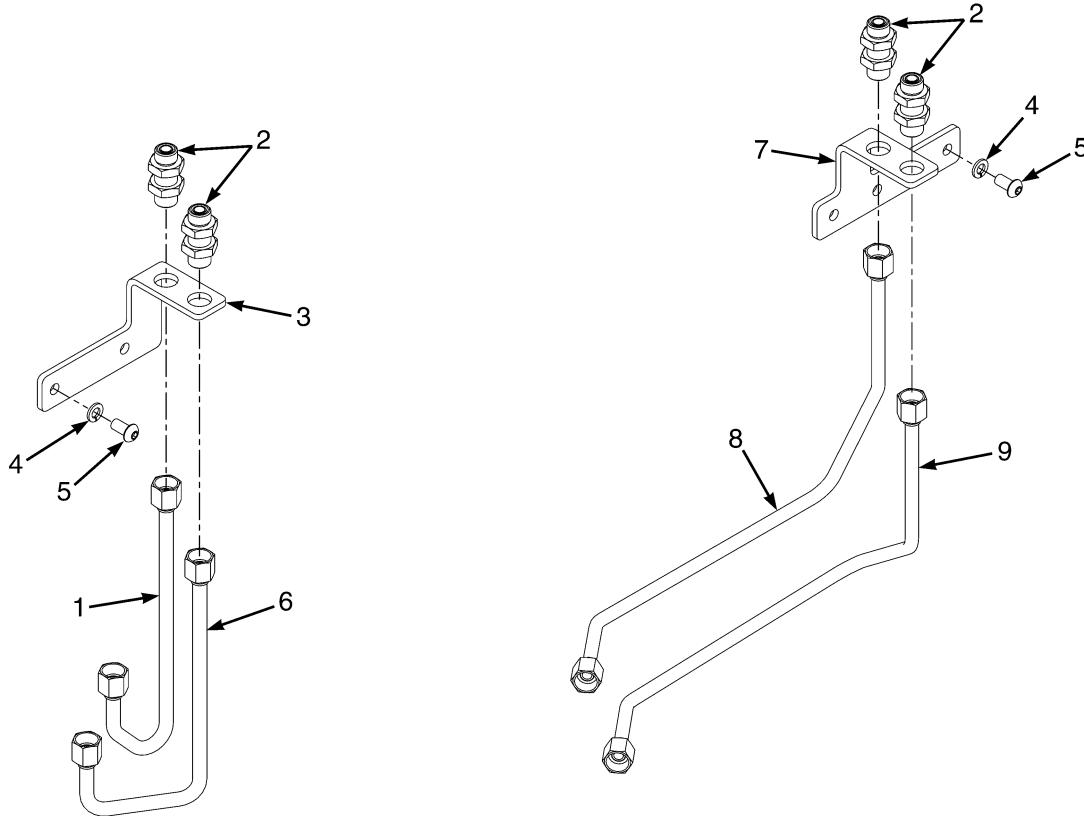
AUXILIARY TUBE EXTENSIONS

TWO STAGE LIMITED FREE LIFT – E-HYDRAULICS WITH QUICK DISCONNECT FITTINGS

KEY:**A: B586, Three Function****B: B586, Four Function****C: B587, Three Function****D: B587, Four Function**

ITEM	PART NO.	DESCRIPTION	QTY			
			A	B	C	D
1	1487095	Fitting	2	4	2	4
2	4604565	Hose Assy	1	2	1	2
3	4604566	Hose Assy	1	2	1	2
4	2111754	Valve (Single Aux)	1	..	1	..
4	a 2111754	Valve (Single Aux)	1	..	1
4	2111755	Valve (Dual Aux)	1	..	1
5	110178	Fitting	1	1	1	1
5	16483	O-Ring	1	1	1	1
6	1527979	Hose Clamp	4	4	4	4
7	2046871	Fitting	1	1	1	1
8	816591	Fitting	2	4	2	4
9	1473887	Fitting	2	4	2	4
10	1377954	Fitting (Quick Disconnect)	2	4	2	4
11	1377953	Quick Disconnect Fitting	2	4	2	4
12	1708368	Dust Cover	2	4	2	4
13	1708365	Bulkhead (Fitting)	2	4	2	4
14	1705595	Bracket (RH)	1	1	1	1
15	1581563	Lockwasher	2	4	2	4
16	1597443	Bolt	2	4	2	4
17	816593	Locknut	2	4	2	4
18	2085597	Tube Assy	1	1
18	b 2089856	Tube Assy	1	1
18	b 2085831	Tube Assy	1	1
19	2085596	Tube Assy	1	1
19	2089855	Tube Assy	1	1
19	b 2085830	Tube Assy	1	1
20	1708373	Bracket	1	1	1	1
21	1527885	Capscrew	2	2	2	2
22	2085660	Tube Assy	1
22	a 2085678	Tube Assy	1
22	2089858	Tube Assy	1
22	a 2089862	Tube Assy	1
22	b 2085833	Tube Assy	1
23	2085659	Tube Assy	1
23	a 2085677	Tube Assy	1
23	2089857	Tube Assy	1
23	a 2089861	Tube Assy	1
23	b 2085832	Tube Assy	1
24	1705597	Bracket (LH)	1	..	1
25	292505	Capscrew	2	2	2	2
26	1614069	Hose	1	1	1	1
27	1486737	Fitting	2	4	2	4
28	302399	Nut	2	2	2	2

AUXILIARY TUBE EXTENSIONS (FIGURE 10-28)
TWO STAGE FULL FREE-LIFT — WITHOUT QUICK DISCONNECT FITTINGS



BP000775

KEY:

- A: B590, Three Function**
- B: B590, Four Function**
- C: B591, Three Function**
- D: B591, Four Function**

ITEM	PART NO.	DESCRIPTION	QTY			
			A	B	C	D
1	2091911	Tube Assy	1	..	1
2	816591	Fitting	2	4	2	4
3	1705597	Bracket (LH)	1	..	1
4	1581563	Lockwasher	2	4	2	4
5	1597443	Bolt	2	4	2	4
6	2091910	Tube Assy	1	..	1
7	1705595	Bracket (RH)	1	1	1	1
8	2089557	Tube Assy	1	1
8	2089911	Tube Assy	1	1
8	a 2089563	Tube Assy	1	1
9	2089556	Tube Assy	1	1
9	2089910	Tube Assy	1	1
9	a 2089562	Tube Assy	1	1

**SECTION 11
NUMERICAL INDEX**

PART NO.	PAGE	ITEM	PART NO.	PAGE	ITEM	PART NO.	PAGE	ITEM	PART NO.	PAGE	ITEM
139	1-22	28		8-22	8		8-18	23	21110	4-9	10
153	5-3	7	15884	6-37	7		9-3	15		4-13	10
12891	7-12	18	15885	8-34	11		9-28	34	30076	3-9	4
	7-16	18		9-19	11		10-15	20	30147	4-10	45
	8-11	13	16001	6-35	4		10-15	23		4-14	53
13957	4-13	41		10-15	11	16485	6-23	4	39365	10-17	10
13963	4-9	3	16002	7-4	5		6-31	4		10-19	10
	4-13	3		8-4	25		6-31	5		10-25	11
14595	3-5	3		8-8	25	16486	3-5	11		10-27	11
	3-9	12		9-4	44		6-19	6		10-31	11
	7-12	20	16009	4-9	32		6-27	15	39366	10-21	10
	7-16	20		4-13	30		7-12	23		10-35	12
	8-17	23	16015	6-35	9		7-16	23		10-37	10
	9-3	15	16040	4-9	3		9-3	14	39678	4-9	27
14603	7-12	23		4-13	3	16487	8-25	10		4-13	27
	7-16	23	16041	10-17	4		8-29	10	39756	3-11	13
	9-3	14		10-19	4	16541	7-31	37	41531	7-8	7
15028	5-3	15		10-21	6		8-42	46		7-33	11
15117	5-3	14		10-25	5		9-28	34		8-11	12
15136	1-26	45		10-27	5	16982	6-7	6		8-25	20
15155	8-37	19		10-31	5		7-12	22		8-29	20
	9-23	19		10-35	6		7-16	22		9-12	33
	10-23	16		10-37	6		8-18	26	44542	4-10	47
	10-29	16	16481	5-6	3		9-4	21		4-14	55
	10-33	16		6-25	5	18089	6-23	15	46629	8-34	11
15222	7-12	34		6-31	11	18096	6-23	15		9-19	11
	7-16	34		6-33	5	18462	1-7	19	56997	4-9	41
	7-25	8	16483	3-5	10		1-13	15		4-14	49
	7-33	17		3-9	24		1-19	19	57664	7-19	3
	8-3	12		6-19	5	18471	1-7	20		8-22	8
	8-7	12		6-23	1		1-13	17	58902	8-41	8
	8-15	8		6-25	12		1-19	16		9-28	14
	8-26	28		6-27	16	18518	8-37	18	58903	4-9	21
	8-30	28		6-31	1		9-23	18		4-13	21
	8-37	12		6-33	12		10-23	17	58950	3-9	11
	9-8	26		7-12	33		10-29	17	66333	7-25	12
	9-11	16		7-16	33		10-33	17		7-33	7
	9-23	12		8-17	3	18520	9-23	18		8-37	22
	10-15	3		10-43	5		10-33	17		9-23	22
	10-23	23		10-51	5	18735	1-7	9		10-15	10
	10-29	23		10-59	26		1-13	12		10-23	6
	10-33	23	16484	3-5	3	18738	1-19	14		10-29	6
15224	7-25	10		3-9	12	18828	1-22	29		10-33	6
	7-33	18		6-7	5	18832	1-21	7	69029	4-9	39
	8-15	10		6-25	9	18909	6-7	3		4-14	47
	10-15	6		6-31	10	19890	1-25	20	98599	6-19	6
15235	4-9	9		6-33	9		1-29	20		6-27	15
	4-13	9		7-12	20	19901	1-7	14	104264	7-4	16
15879	7-21	9		7-16	20		1-13	14		8-3	8

NUMERICAL INDEX (continued)

PART NO.	PAGE	ITEM	PART NO.	PAGE	ITEM	PART NO.	PAGE	ITEM	PART NO.	PAGE	ITEM
1532904	2-34	1		7-4	1	1543698	4-18	7		9-27	3
1533810	2-45	8	1541440	7-4	1	1545546	6-25	15		9-27	3
	2-49	8		7-4	1		6-33	15		9-27	3
	2-62	18	1541446	7-4	1	1547629	2-45	7		9-27	3
1534329	2-42	18	1541455	9-3	1		2-57	1	1550397	9-27	3
	2-45	2		9-3	1	1550157	7-12	30		9-27	3
	2-50	17	1541458	9-3	1		7-16	30		9-27	3
	2-53	5		9-3	1		8-17	2		9-27	3
	2-65	9	1541461	9-3	1		9-4	40		9-27	3
1534660	1-47	8		9-3	1	1550158	7-12	30		9-27	3
1534828	2-66	21	1541462	9-3	1		7-16	30	1550398	9-27	3
1535262	10-4	1	1541486	4-19	2		8-17	2		9-27	3
1537551	2-15	3	1541490	4-19	2	1550159	9-4	40		9-27	3
1539313	3-15	2	1541513	3-15	1	1550193	9-7	9	1550425	8-41	20
	3-15	5	1541514	3-15	1		9-12	21		9-29	51
1539315	3-15	2	1541517	3-15	4	1550194	9-7	9	1550433	7-30	11
	3-15	5	1541518	3-15	4		9-12	21	1550434	7-30	12
1539317	3-16	2	1541519	3-16	1	1550195	8-25	10	1550435	7-30	13
	3-16	5	1541520	3-16	1		8-29	10	1550436	7-12	29
1539319	3-16	2	1541523	3-16	4	1550196	8-25	10		7-16	29
	3-16	5	1541524	3-16	4		8-29	10	1550437	8-17	8
1540388	2-50	25	1541525	3-15	3	1550197	7-12	22		9-4	25
1540389	2-45	4	1541527	3-15	6		7-16	22	1550438	7-12	29
1540694	8-3	1	1541528	3-16	3		8-18	26		7-16	29
	8-3	1	1541530	3-16	6		9-3	21	1550439	8-17	8
	8-7	1	1541537	4-19		1550198	7-12	22		9-4	27
	8-7	1	1541538	4-19			7-16	22	1552052	6-15	28
1540697	8-3	1	1541640	8-33	3		8-18	26	1552973	4-9	
	8-3	1		9-19	3		9-4	21	1553094	2-45	11
	8-7	1	1541649	7-4	1	1550199	9-4	31	1553414	2-8	3
	8-7	1	1541988	2-31	2	1550201	9-7	1		2-9	
1540699	8-3	1		2-33	1		9-7	1	1553417	2-8	8
	8-7	1		2-73	8		9-11	1	1553427	2-9	2
1540701	8-3	1		10-10	2		9-11	1	1553428	2-9	1
	8-3	1	1541989	2-31	2	1550204	9-7	1	1553429	2-9	1
	8-7	1		2-33	1		9-7	1	1553897	2-26	3
	8-7	1		2-73	8		9-11	1	1554877	2-65	1
1540704	8-3	1		10-10	2		9-11	1		10-13	3
	8-3	1	1541991	2-45	15	1550207	9-7	1	1554879	2-65	1
	8-7	1		2-49	16		9-7	1		10-13	3
	8-7	1		2-57	14		9-11	1	1554902	4-3	24
1541242	8-41	17		2-61	5		9-11	1		4-5	34
	9-28	11		2-61	12	1550208	9-7	1	1555881	3-14	10
1541243	8-41	30		10-10	4		9-11	1	1556899	6-3	
1541420	7-4	1	1541992	2-45	15	1550391	9-27	3	1559452	6-37	14
1541423	7-4	1		2-50	16		9-27	3	1561005	4-17	4
	7-4	1		2-57	14		9-27	3	1561559	2-15	14
1541426	7-4	1		2-61	5		9-27	3		2-67	2
	7-4	1		2-61	6		9-27	3		2-74	4
1541427	7-4	1		2-61	12		9-27	3	1561749	10-8	2
1541432	7-4	1		10-10	4	1550394	9-27	3	1561755	2-15	14
1541433	7-4	1	1543691	10-10	13		9-27	3		2-67	2

CLICK HERE TO **DOWNLOAD** THE COMPLETE MANUAL

- Thank you very much for reading the preview of the manual.
- You can download the complete manual from: www.heydownloads.com by clicking the link below



- Please note: If there is no response to CLICKING the link, please download this PDF first and then click on it.

CLICK HERE TO **DOWNLOAD** THE COMPLETE MANUAL