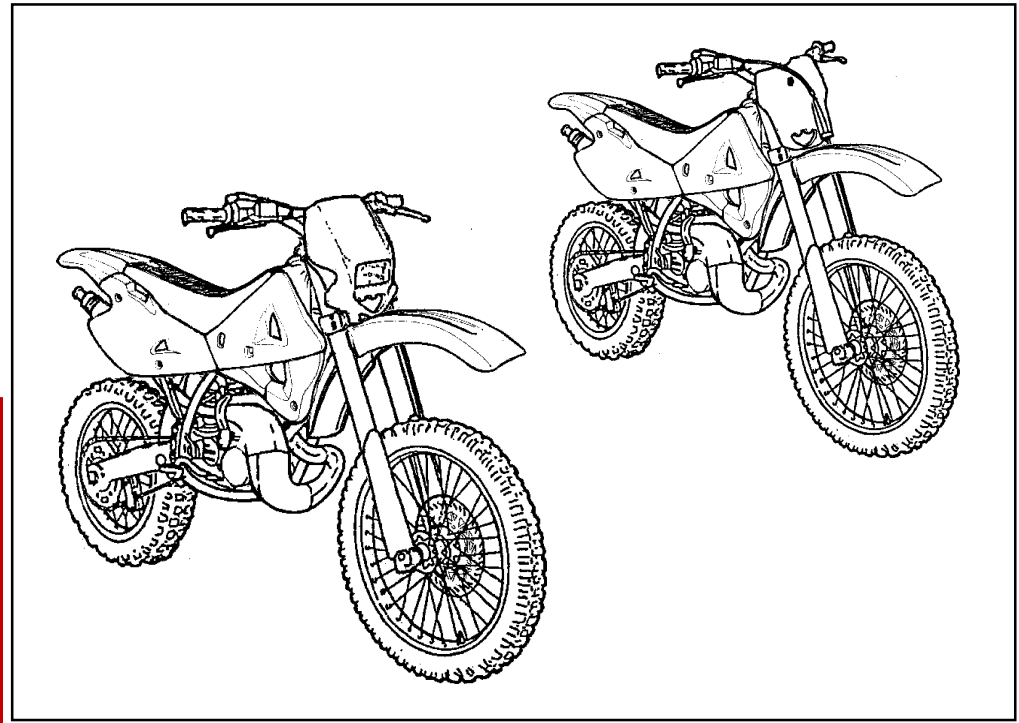


**CATALOGO PARTI DI RICAMBIO - PARTS CATALOG
CATALOGUE PIECES DE RECHANGE - ERSATZTEILKATALOG
CATALOGO PIEZAS DE REPUESTO**



Husqvarna



WR-WR U.S.A. 250-360 / 2000

CR 250 / 2000

Part. N° 8000 93030

CLICK HERE TO **DOWNLOAD** THE COMPLETE MANUAL

- Thank you very much for reading the preview of the manual.
- You can download the complete manual from: www.heydownloads.com by clicking the link below



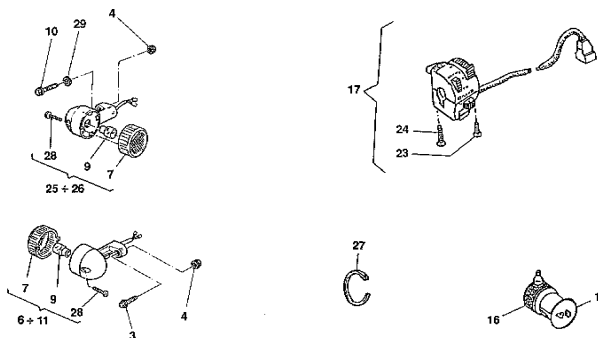
- Please note: If there is no response to CLICKING the link, please download this PDF first and then click on it.

CLICK HERE TO **DOWNLOAD** THE COMPLETE MANUAL



Tavola - Drawing - Table - Bild - Tabla

26

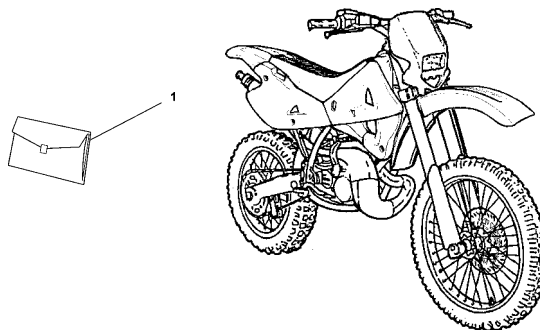


Pagina - Page - Page - Seite - Paja

133

Tavola - Drawing - Table - Bild - Tabla

27

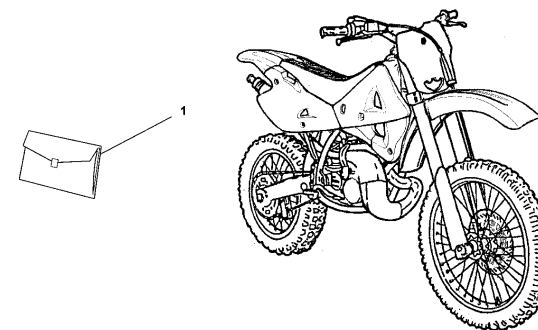


Pagina - Page - Page - Seite - Paja

135

Tavola - Drawing - Table - Bild - Tabla

28

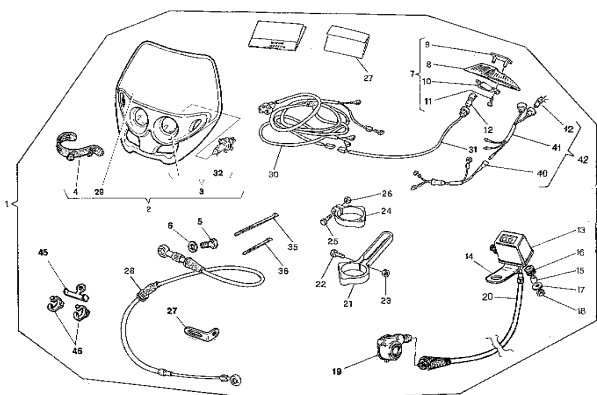


Pagina - Page - Page - Seite - Paja

137

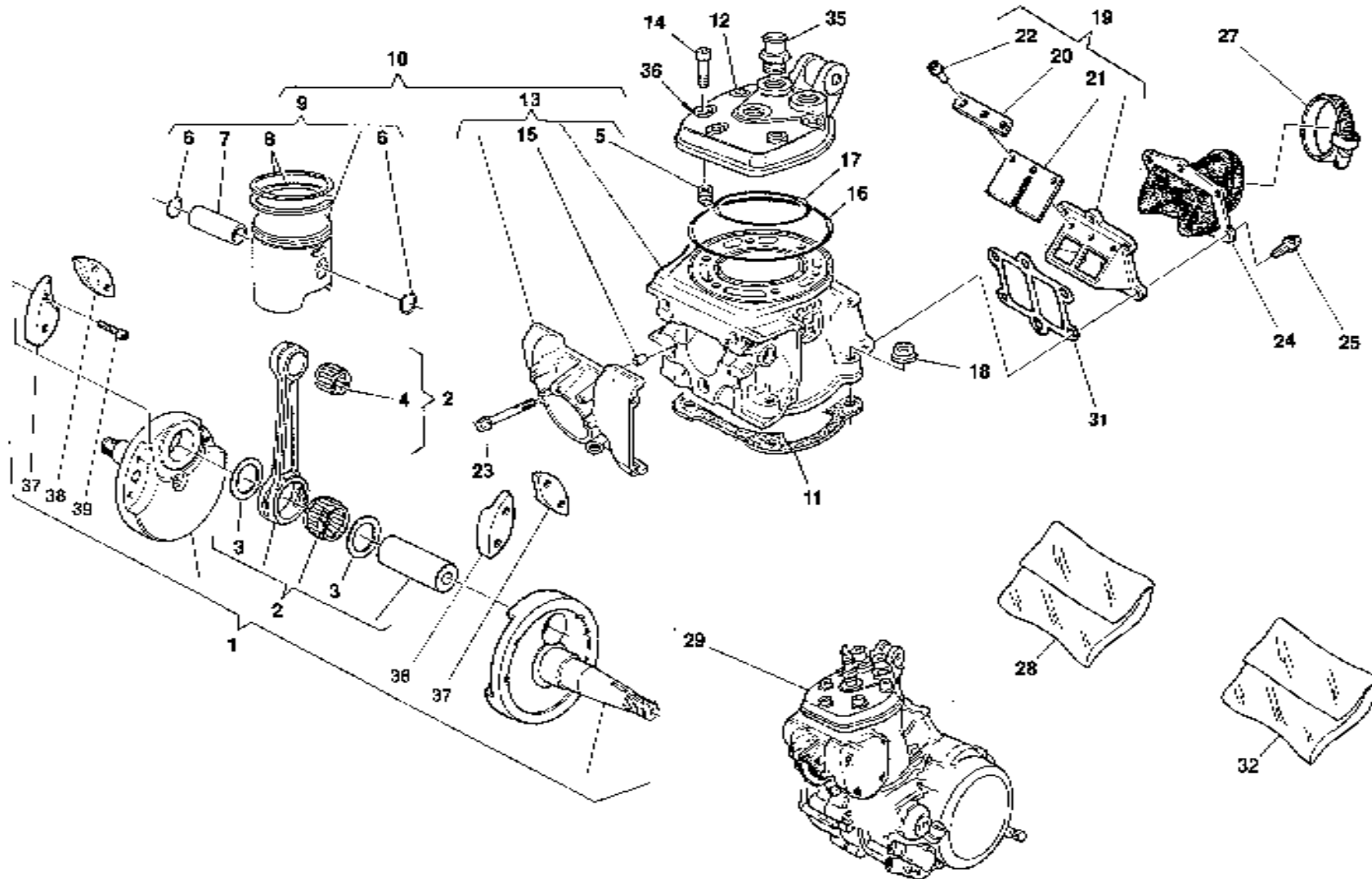
Tavola - Drawing - Table - Bild - Tabla

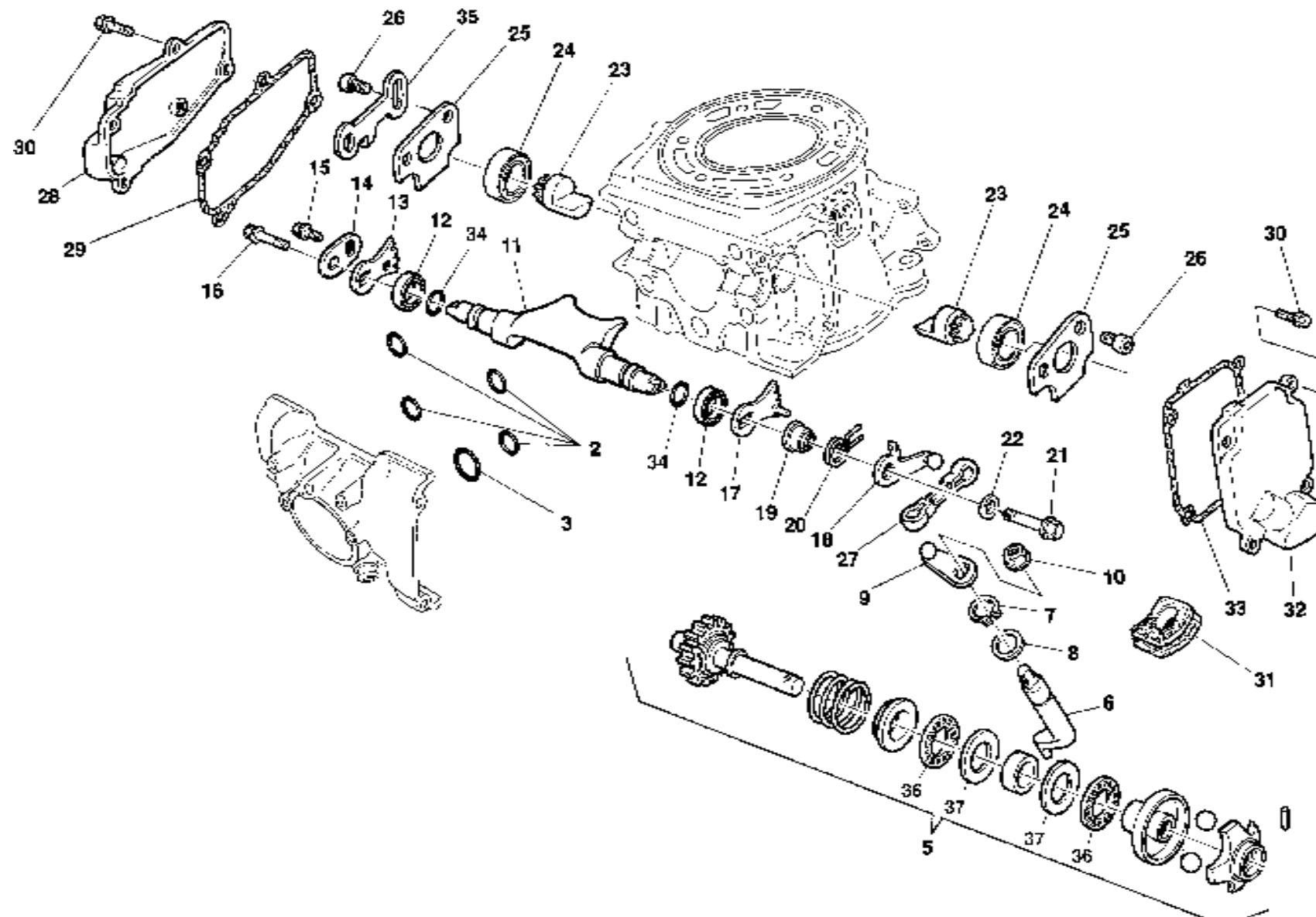
29

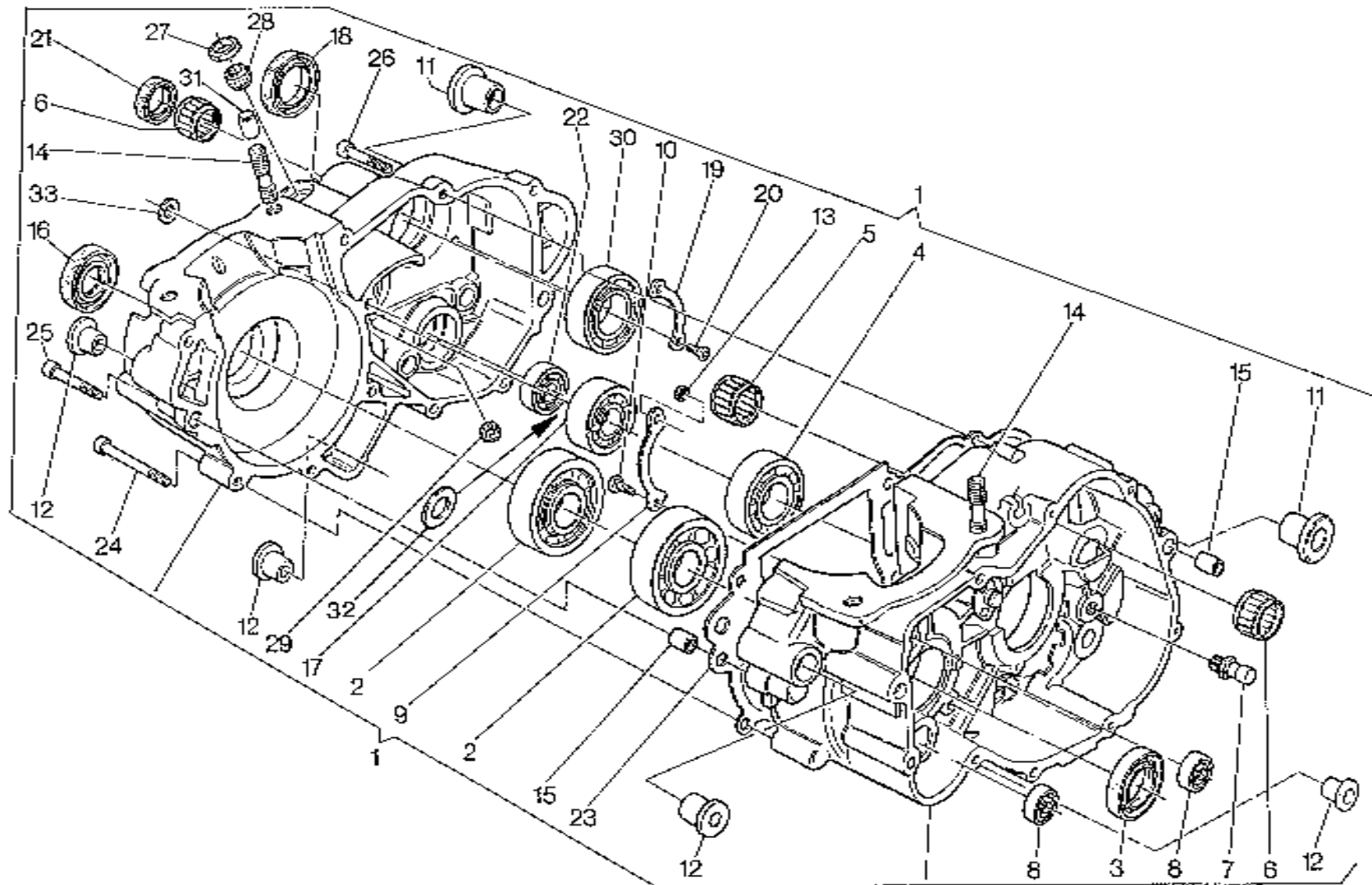


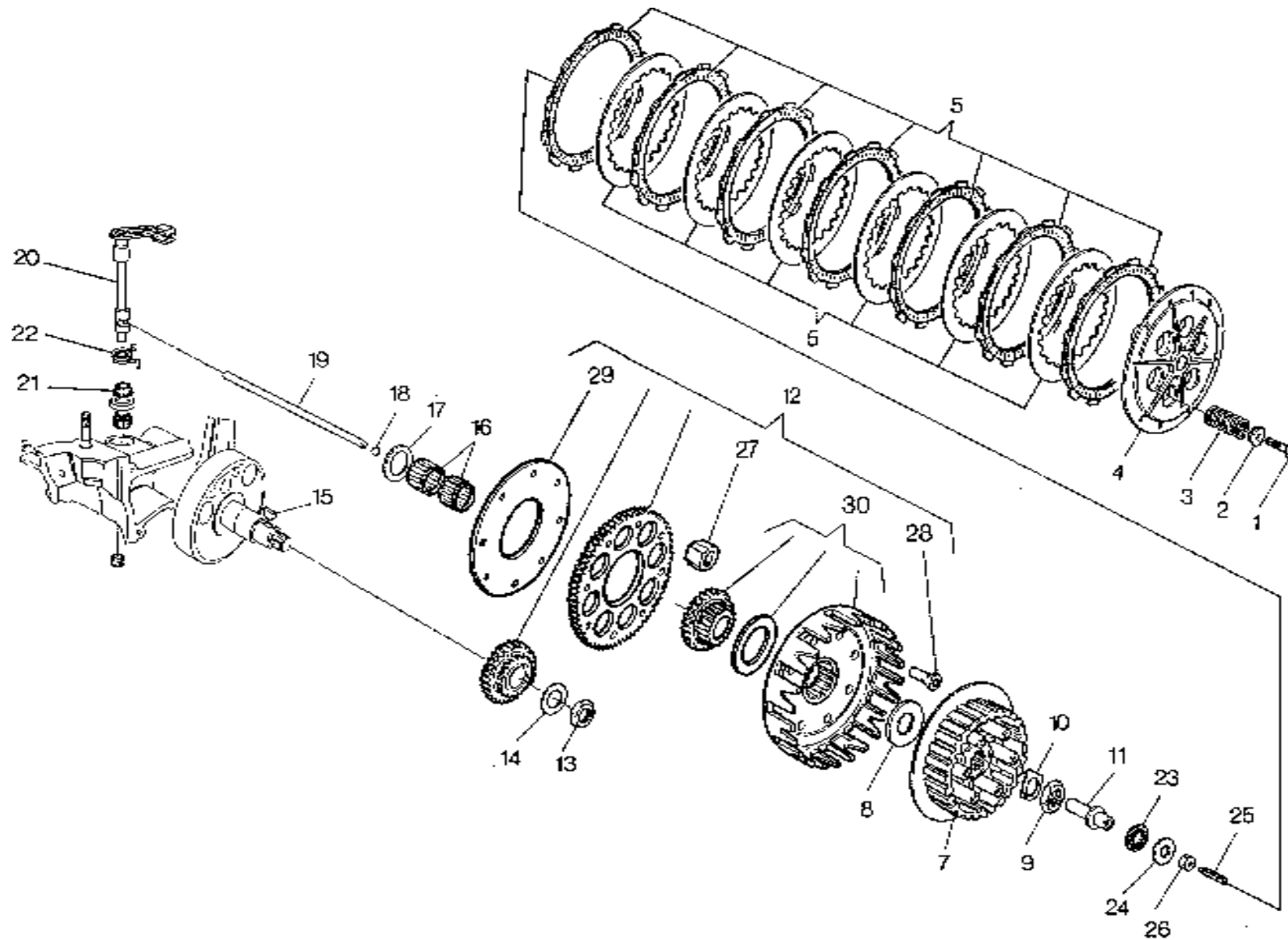
Pagina - Page - Page - Seite - Paja

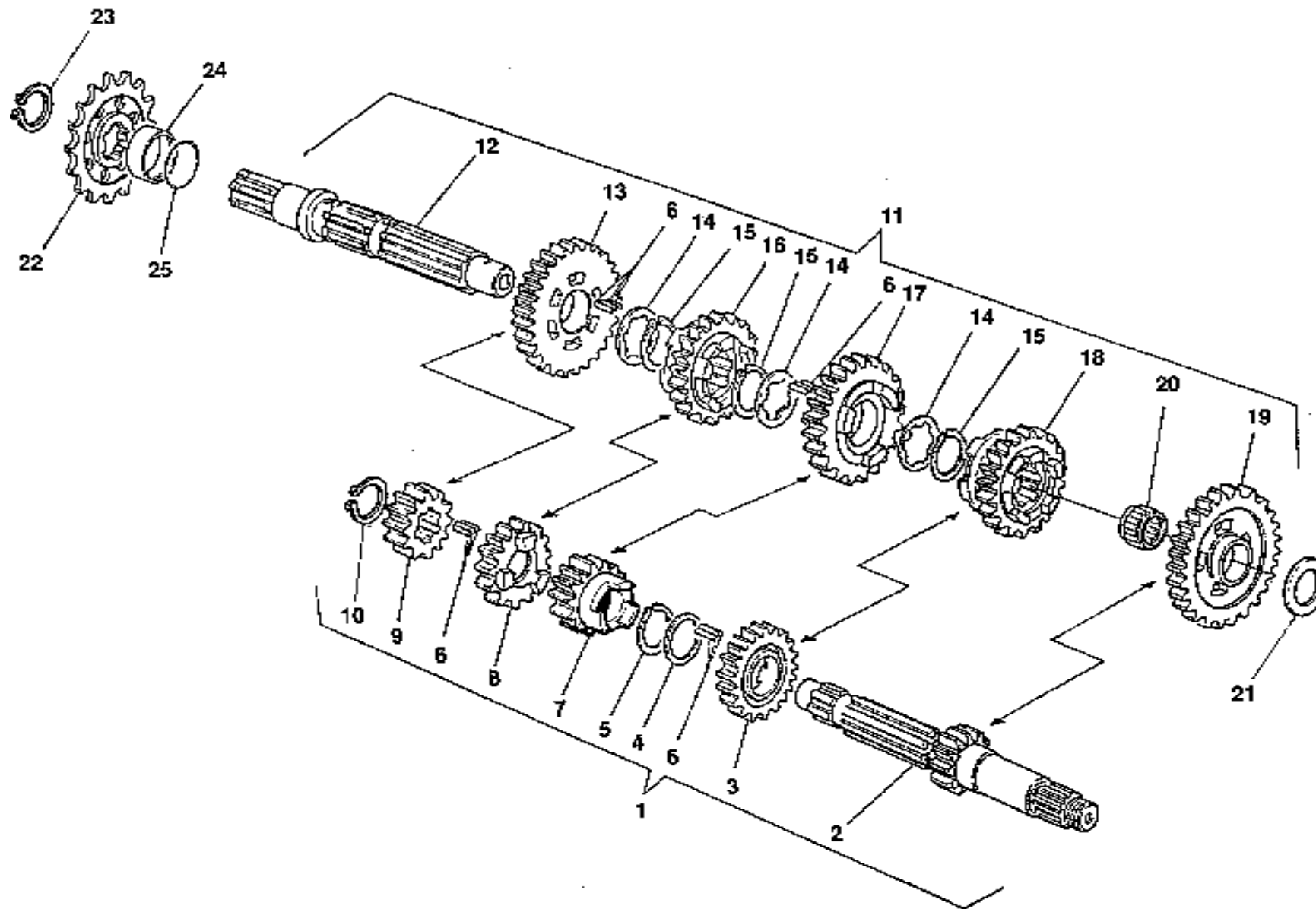
139











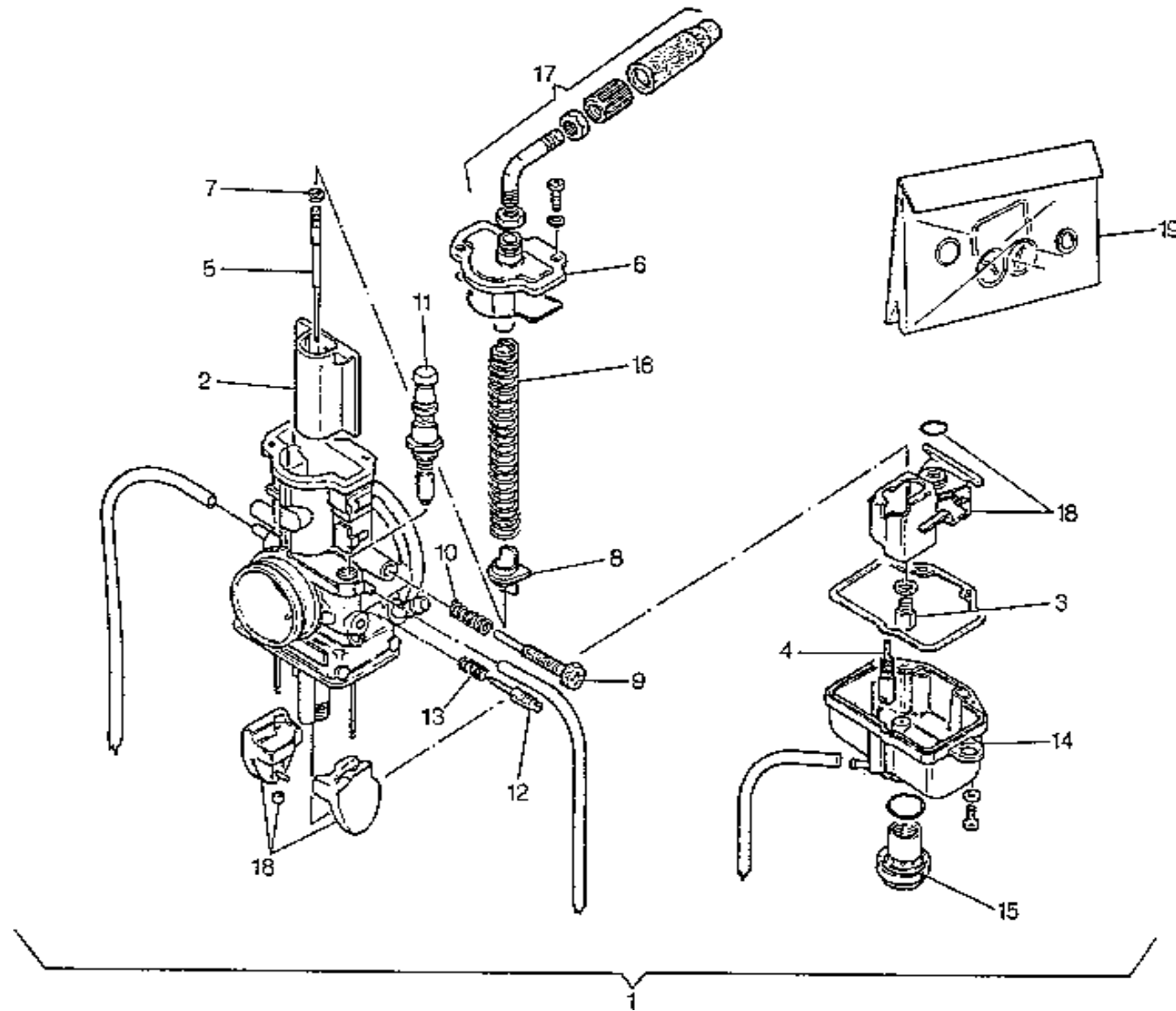
CLICK HERE TO **DOWNLOAD** THE COMPLETE MANUAL

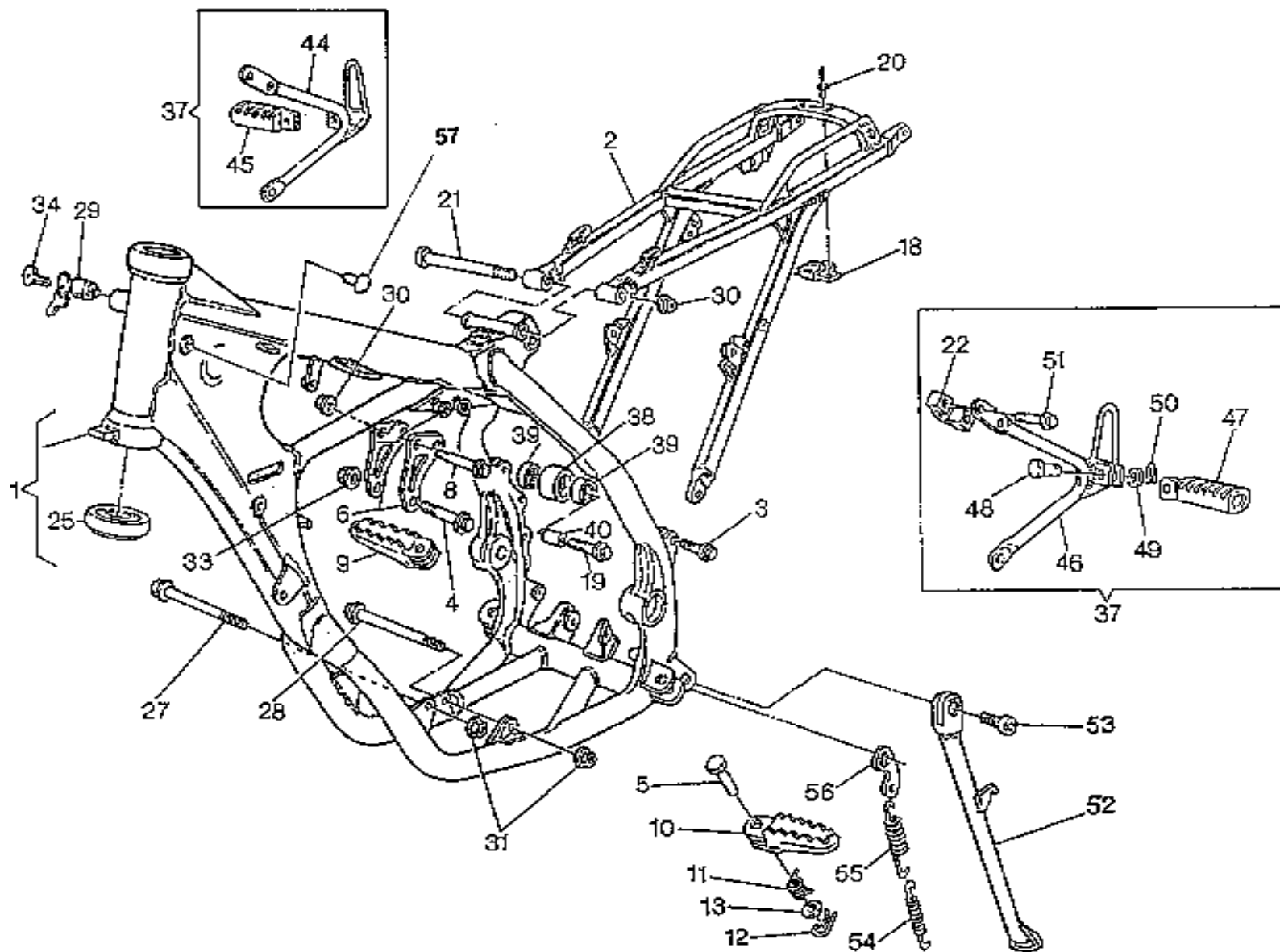
- Thank you very much for reading the preview of the manual.
- You can download the complete manual from: www.heydownloads.com by clicking the link below

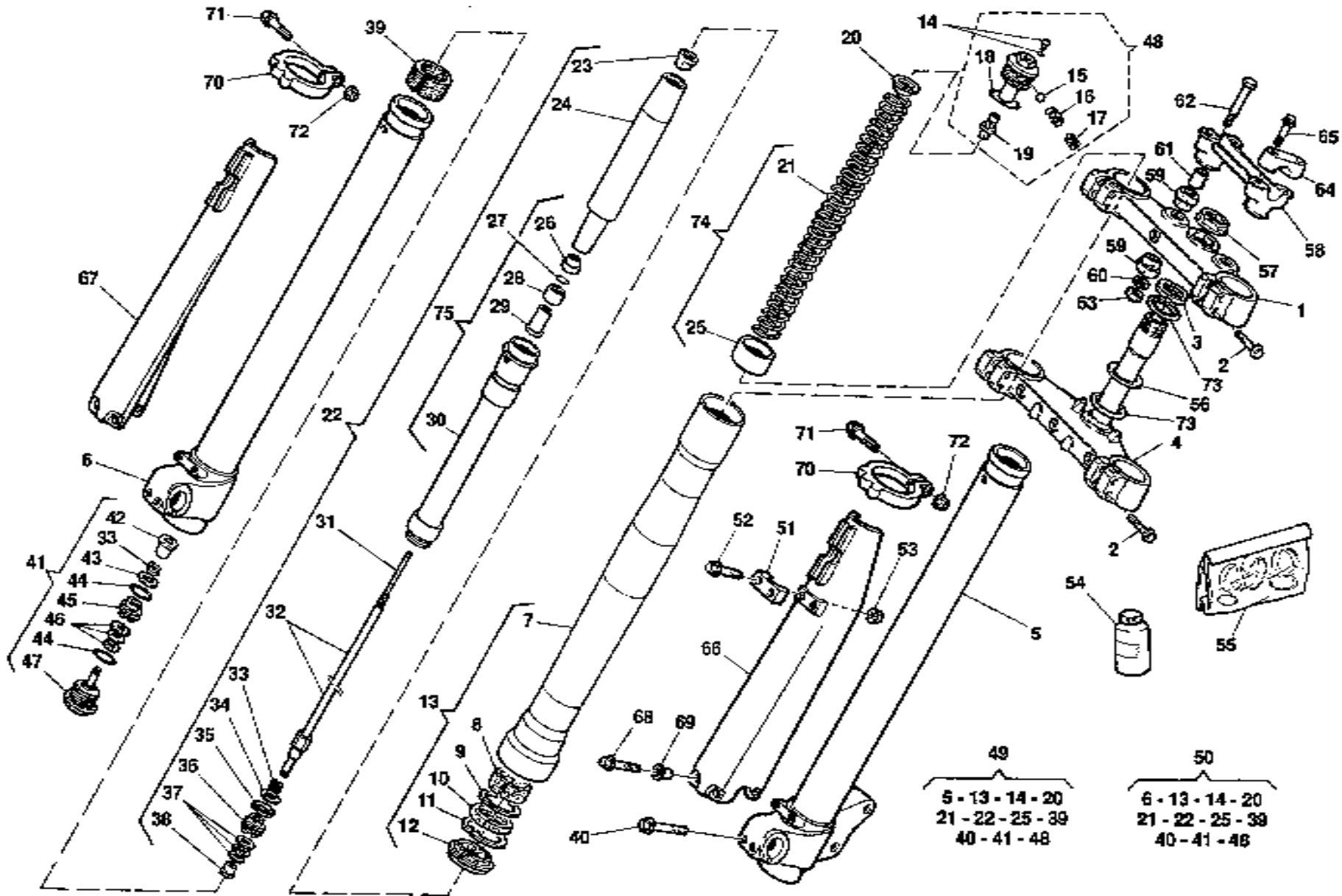


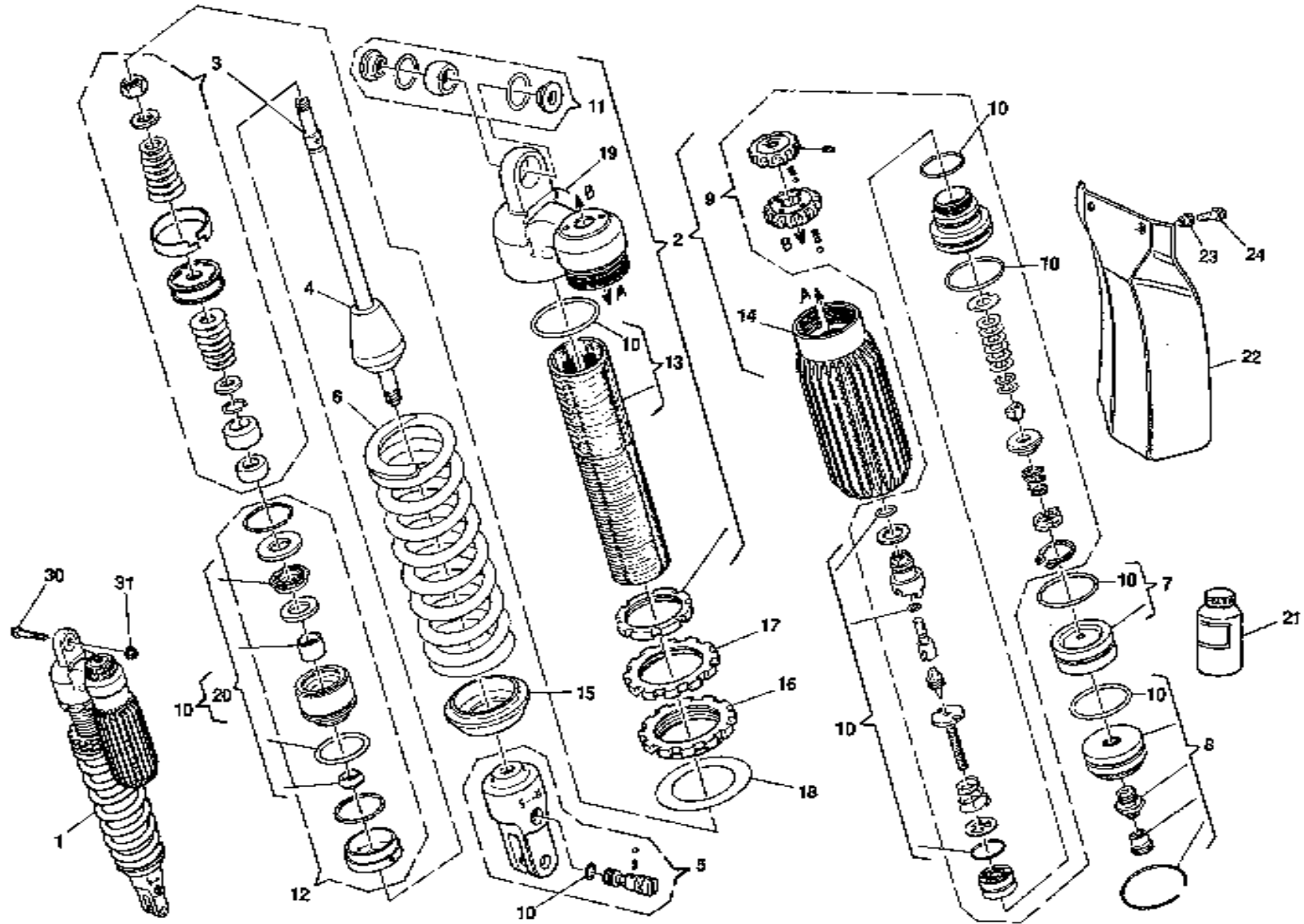
- Please note: If there is no response to CLICKING the link, please download this PDF first and then click on it.

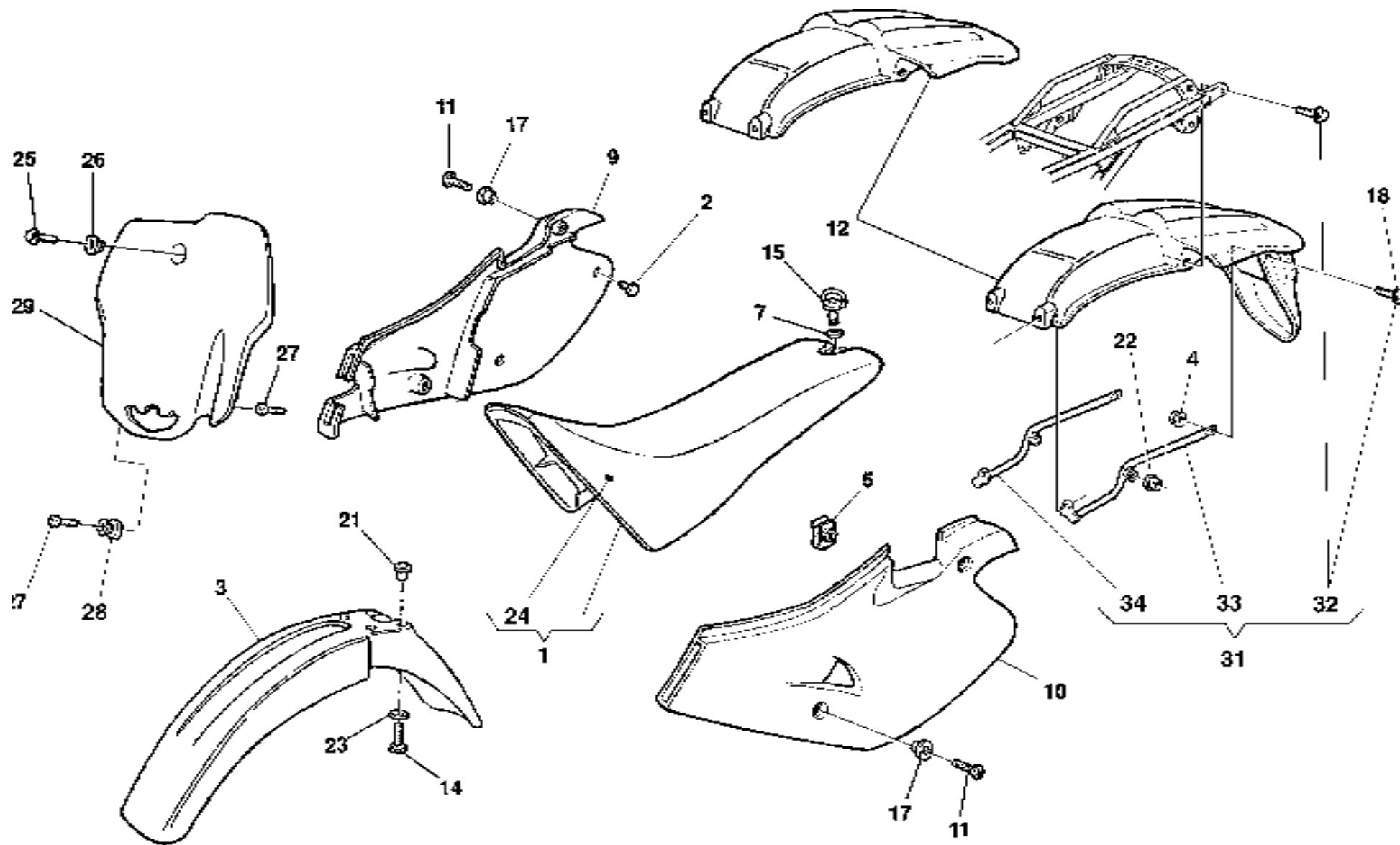
CLICK HERE TO **DOWNLOAD** THE COMPLETE MANUAL

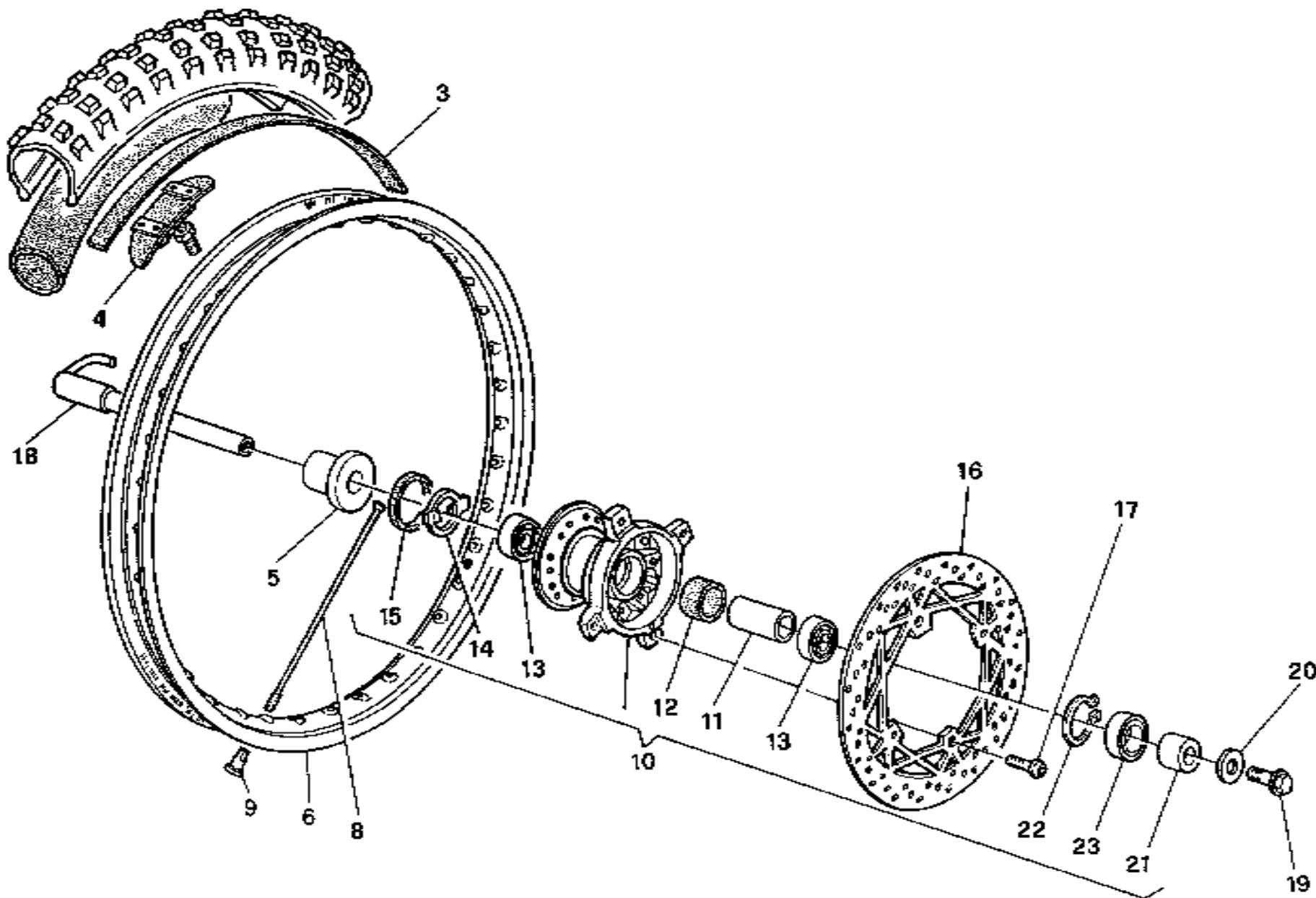


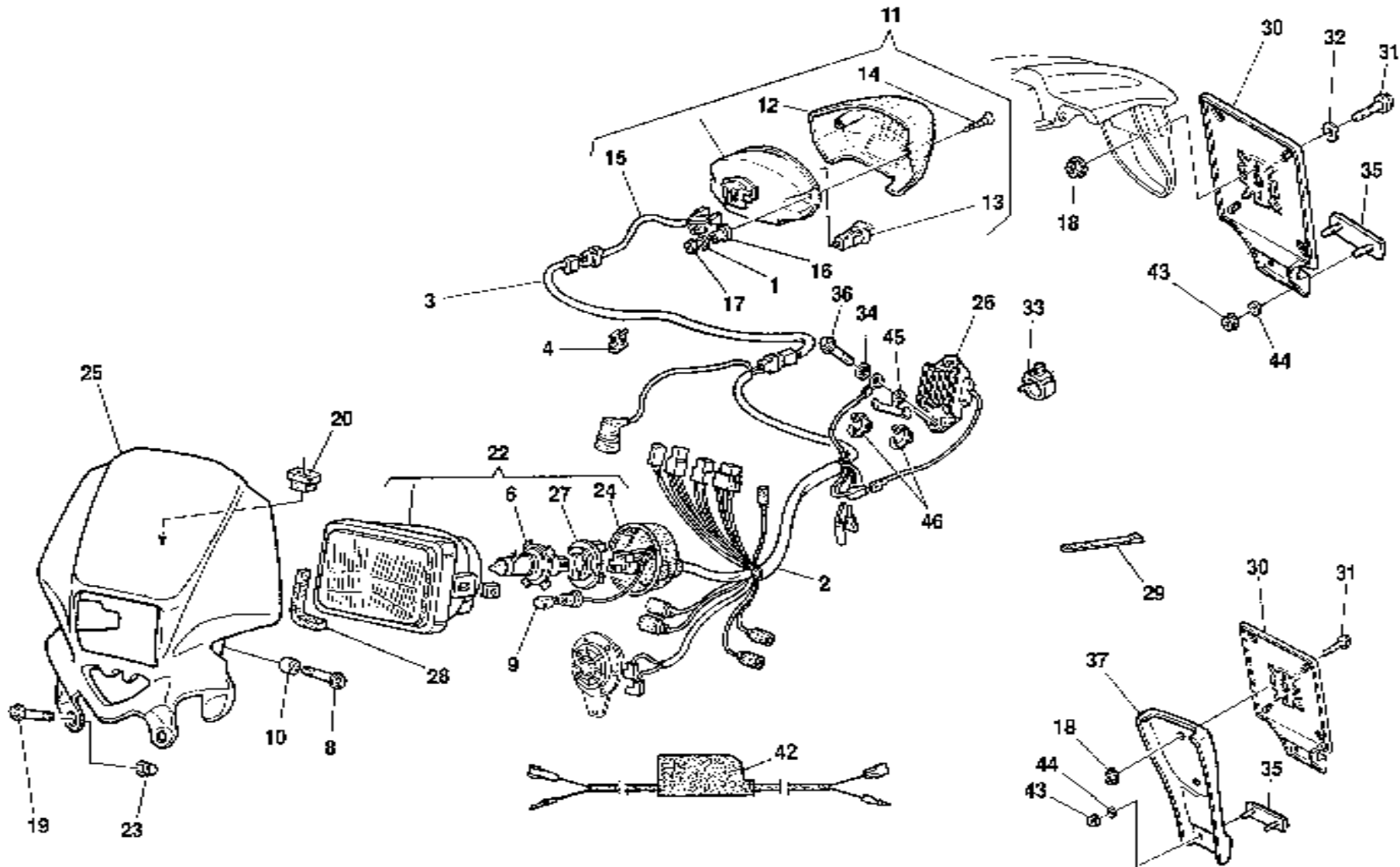












CLICK HERE TO **DOWNLOAD** THE COMPLETE MANUAL

- Thank you very much for reading the preview of the manual.
- You can download the complete manual from: www.heydownloads.com by clicking the link below



- Please note: If there is no response to CLICKING the link, please download this PDF first and then click on it.

CLICK HERE TO **DOWNLOAD** THE COMPLETE MANUAL