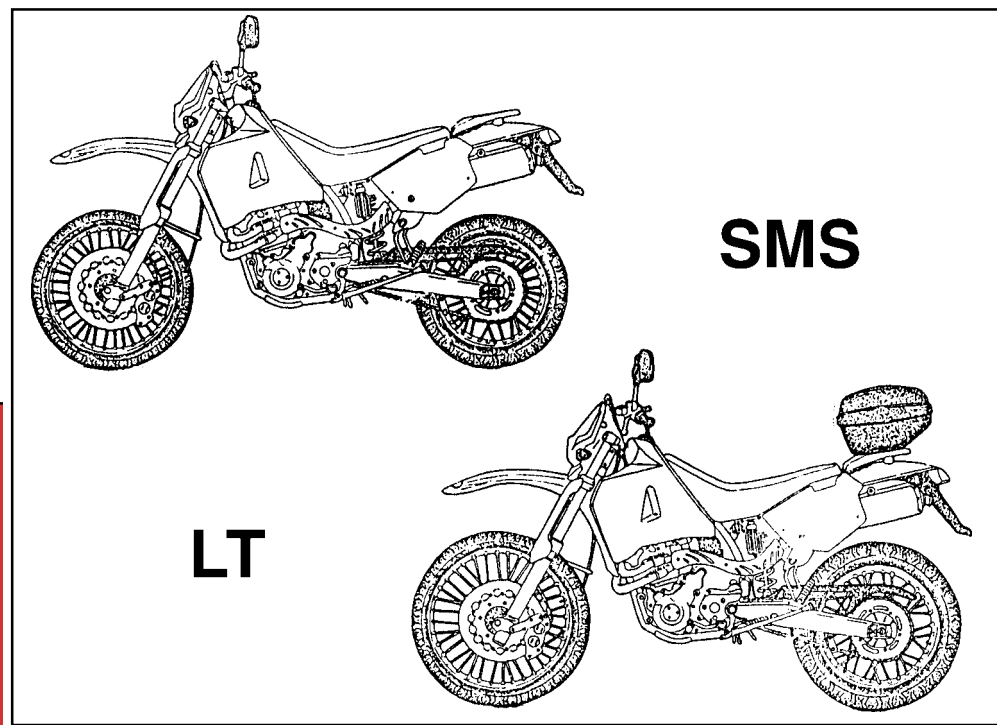


CATALOGO PARTI DI RICAMBIO - PARTS CATALOG
CATALOGUE PIECES DE RECHANGE - ERSATZTEILKATALOG
CATALOGO PIEZAS DE REPUESTO



Husqvarna



Part. N° 8000 94610

*TE 410 - 610 E Dual Purpose,
TE 610 E-LT, SM 610 S / 2000*

CLICK HERE TO **DOWNLOAD** THE COMPLETE MANUAL

- Thank you very much for reading the preview of the manual.
- You can download the complete manual from: www.heydownloads.com by clicking the link below



- Please note: If there is no response to CLICKING the link, please download this PDF first and then click on it.

CLICK HERE TO **DOWNLOAD** THE COMPLETE MANUAL

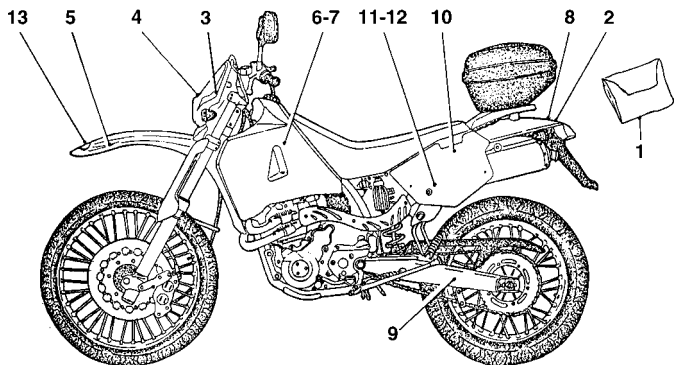


**TE 410-610 E Dual Purpose,
TE 610 E-LT,
SM 610 S/2000**

INDICE – INDEX – INDEX – INHALTSVERZEICHNIS - INDICE

Tavola - Drawing - Table - Bild - Tabla

29C

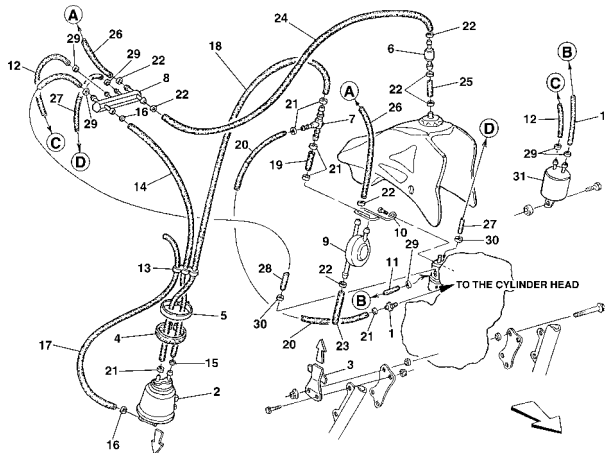


Pagina - Page - Page - Seite - Paja

139

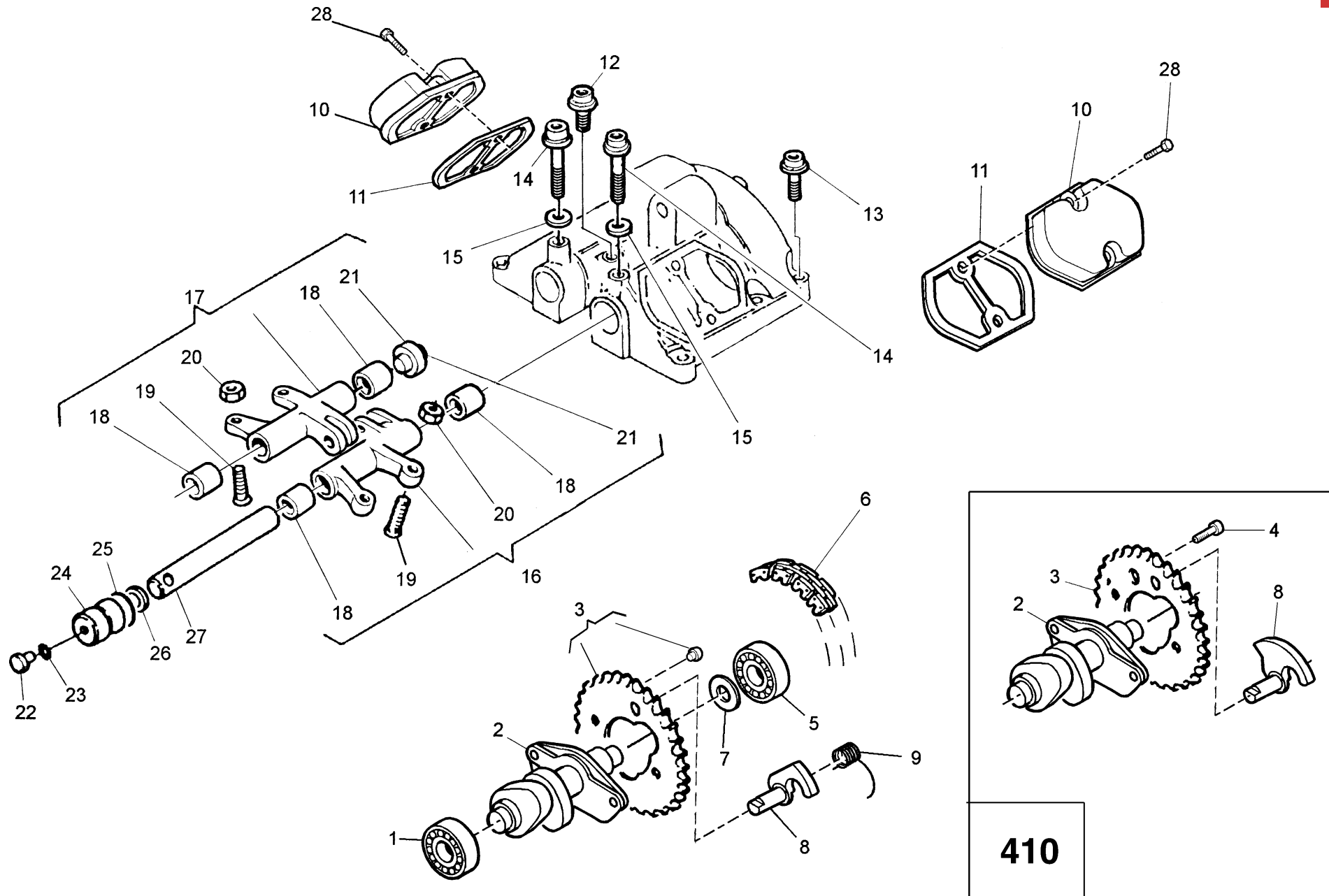
Tavola - Drawing - Table - Bild - Tabla

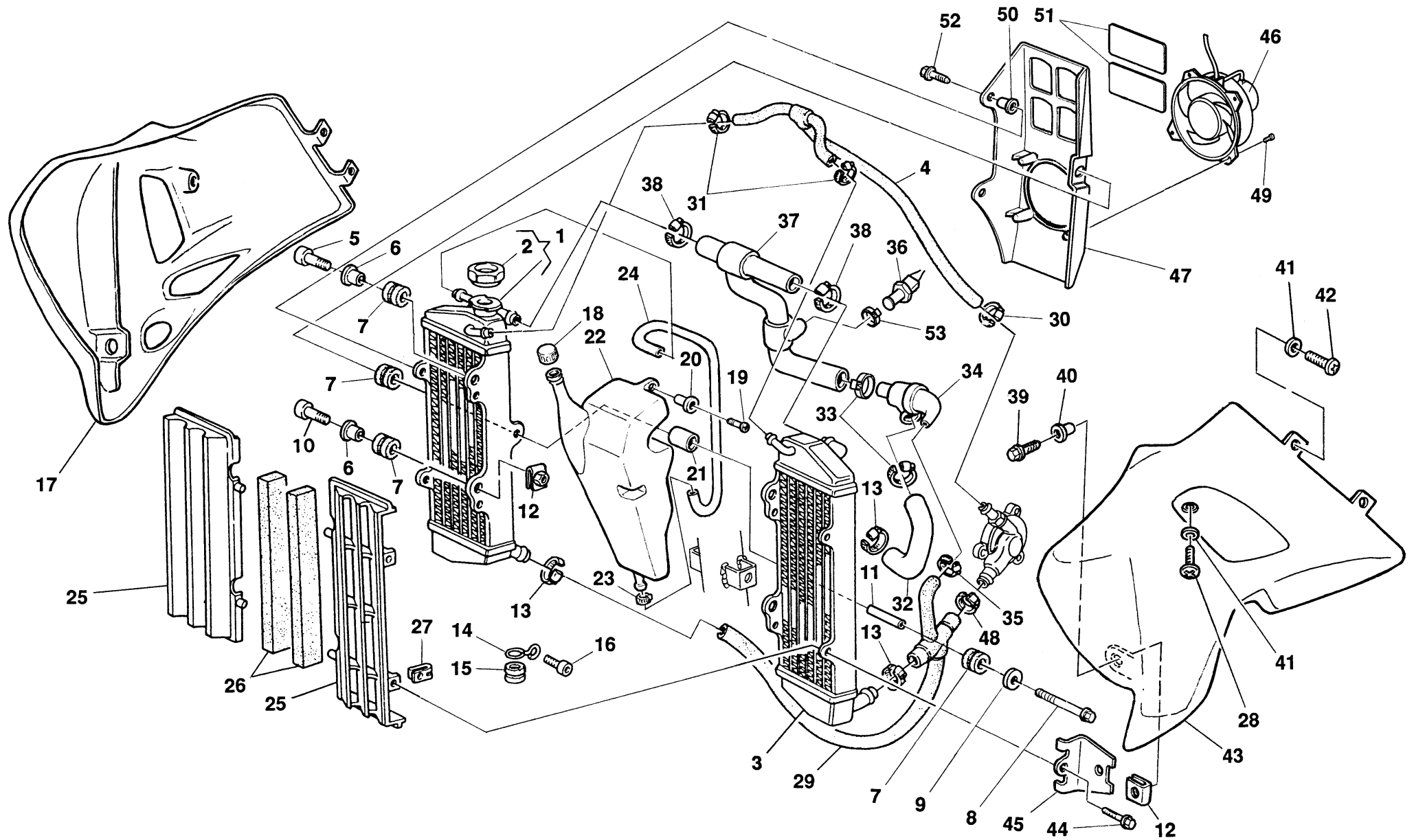
30

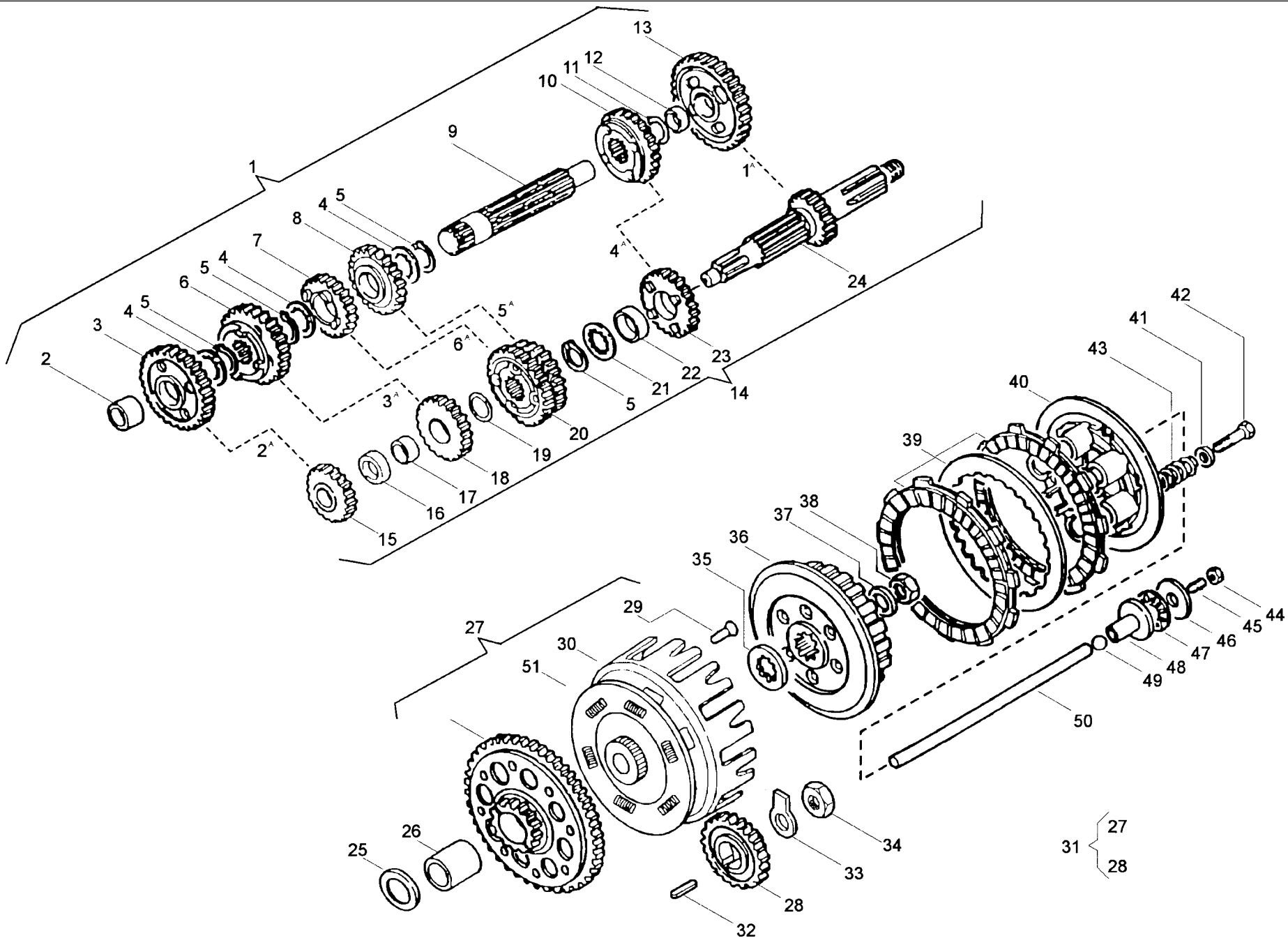


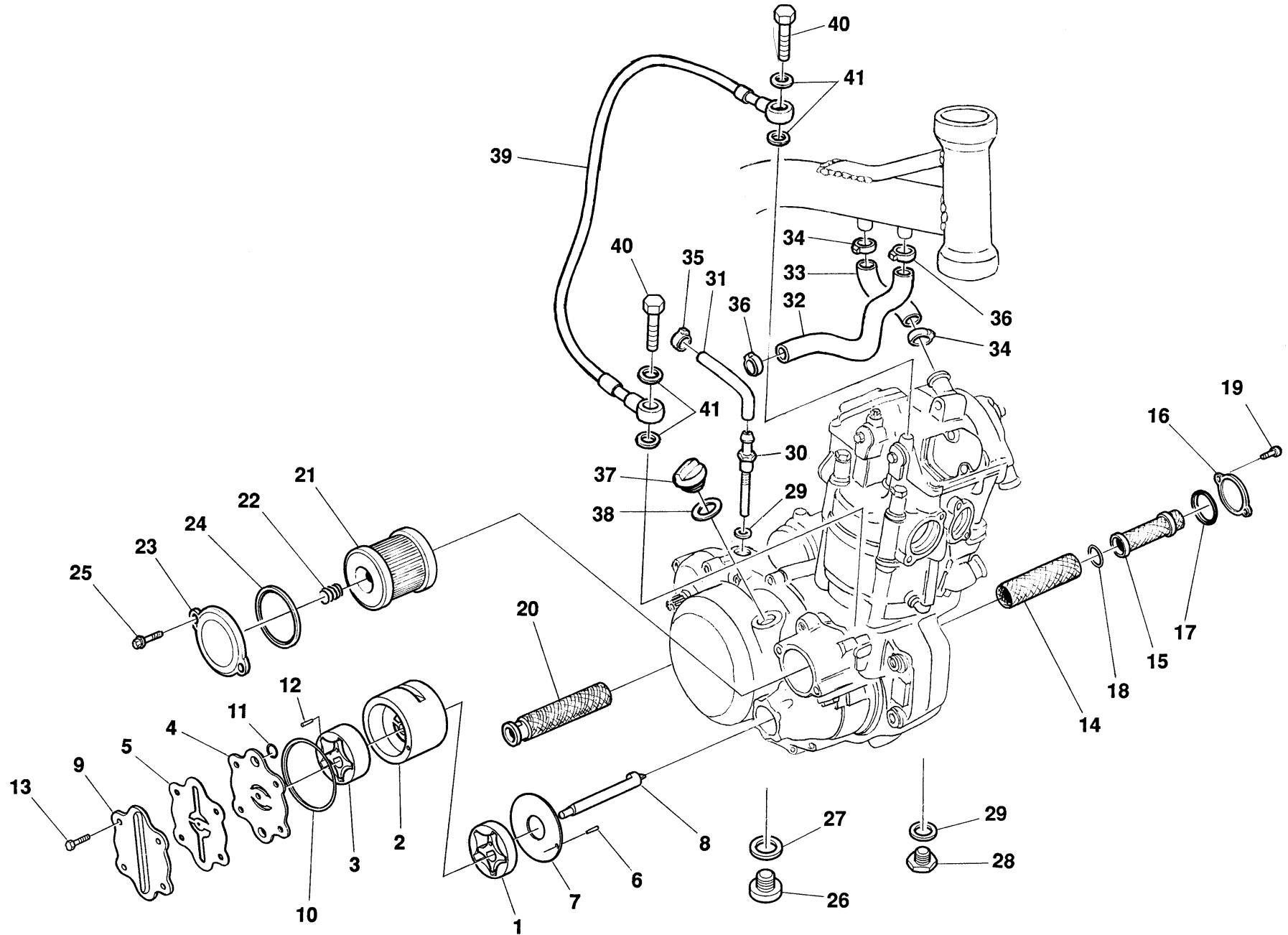
Pagina - Page - Page - Seite - Paja

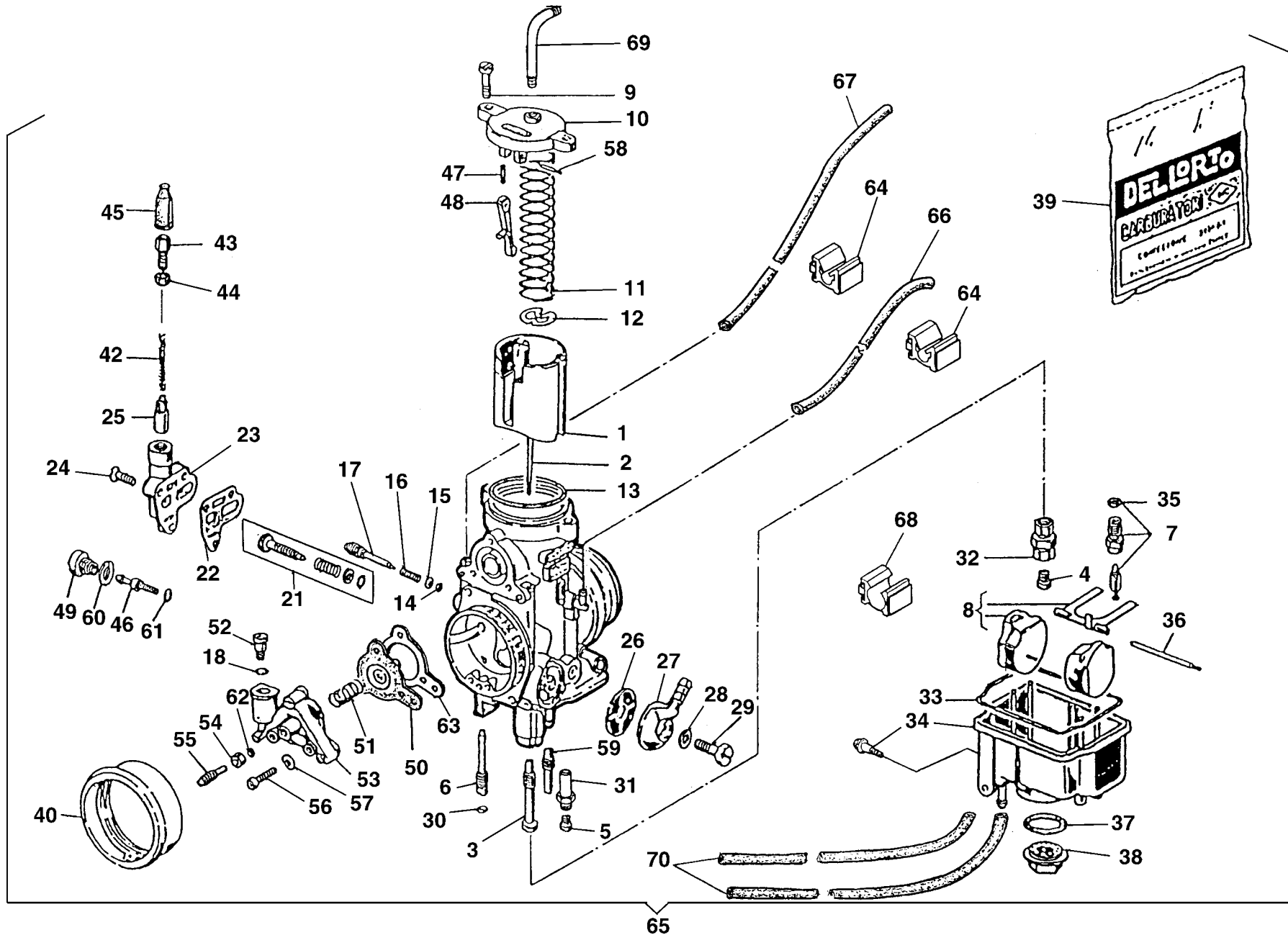
141











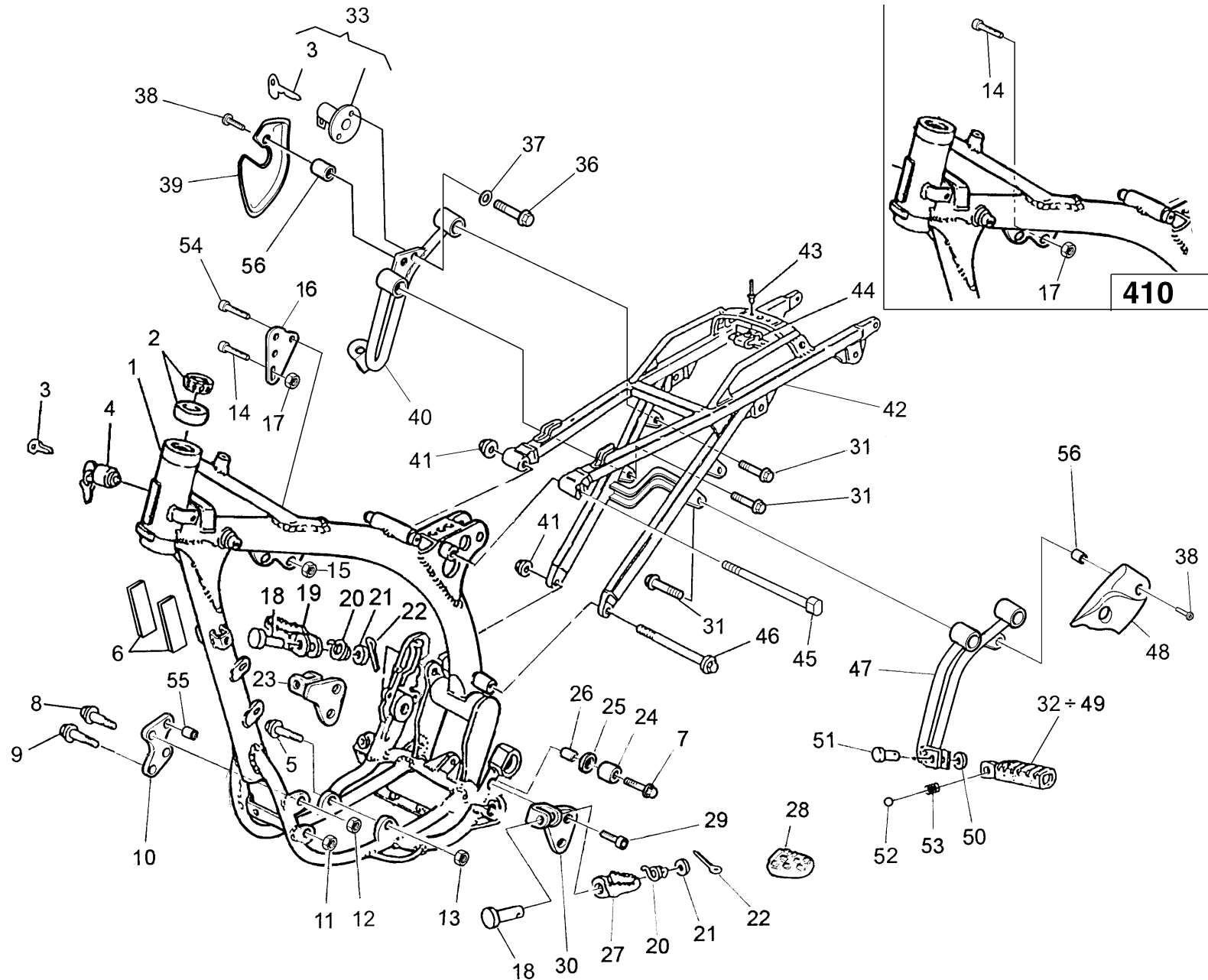
CLICK HERE TO **DOWNLOAD** THE COMPLETE MANUAL

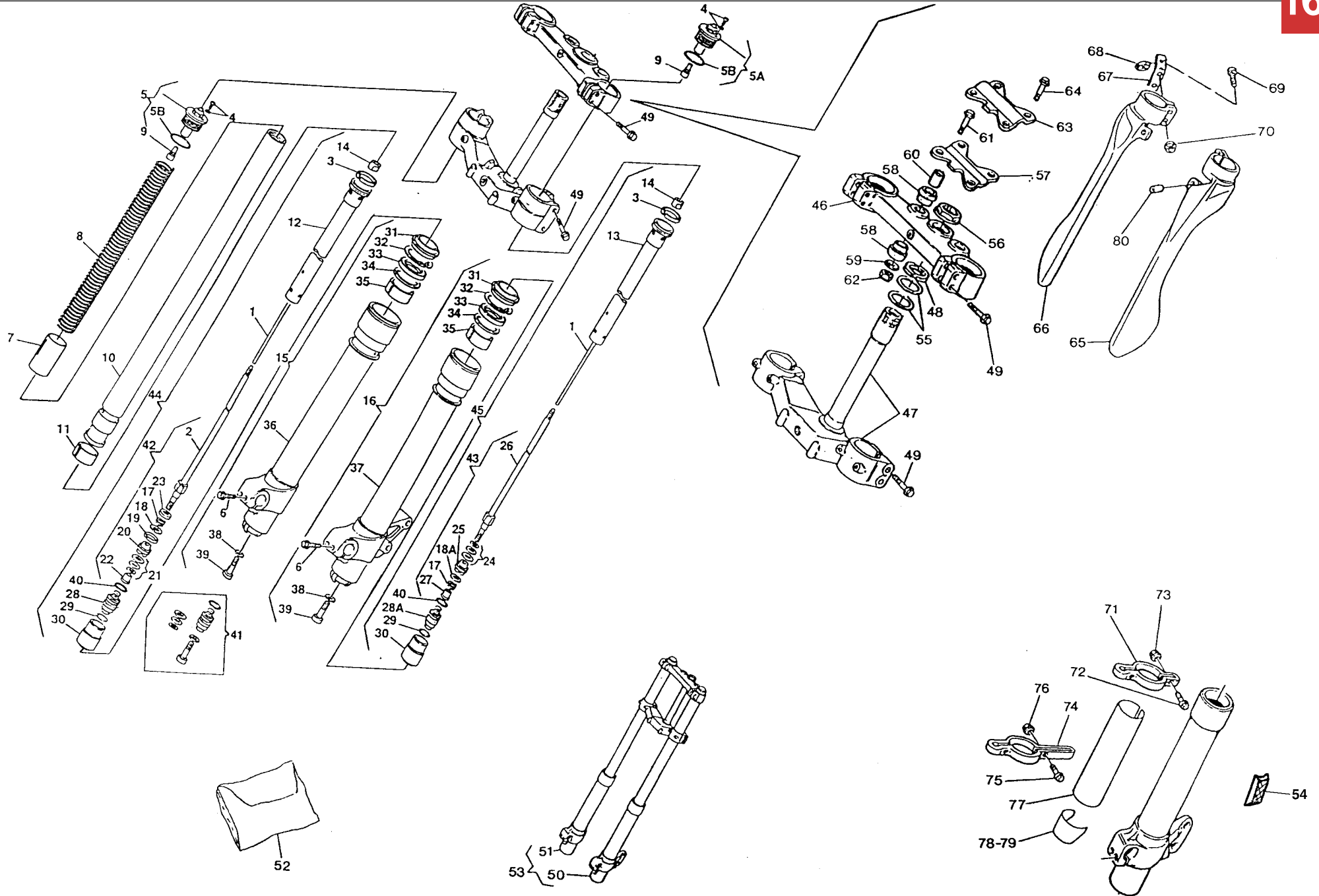
- Thank you very much for reading the preview of the manual.
- You can download the complete manual from: www.heydownloads.com by clicking the link below

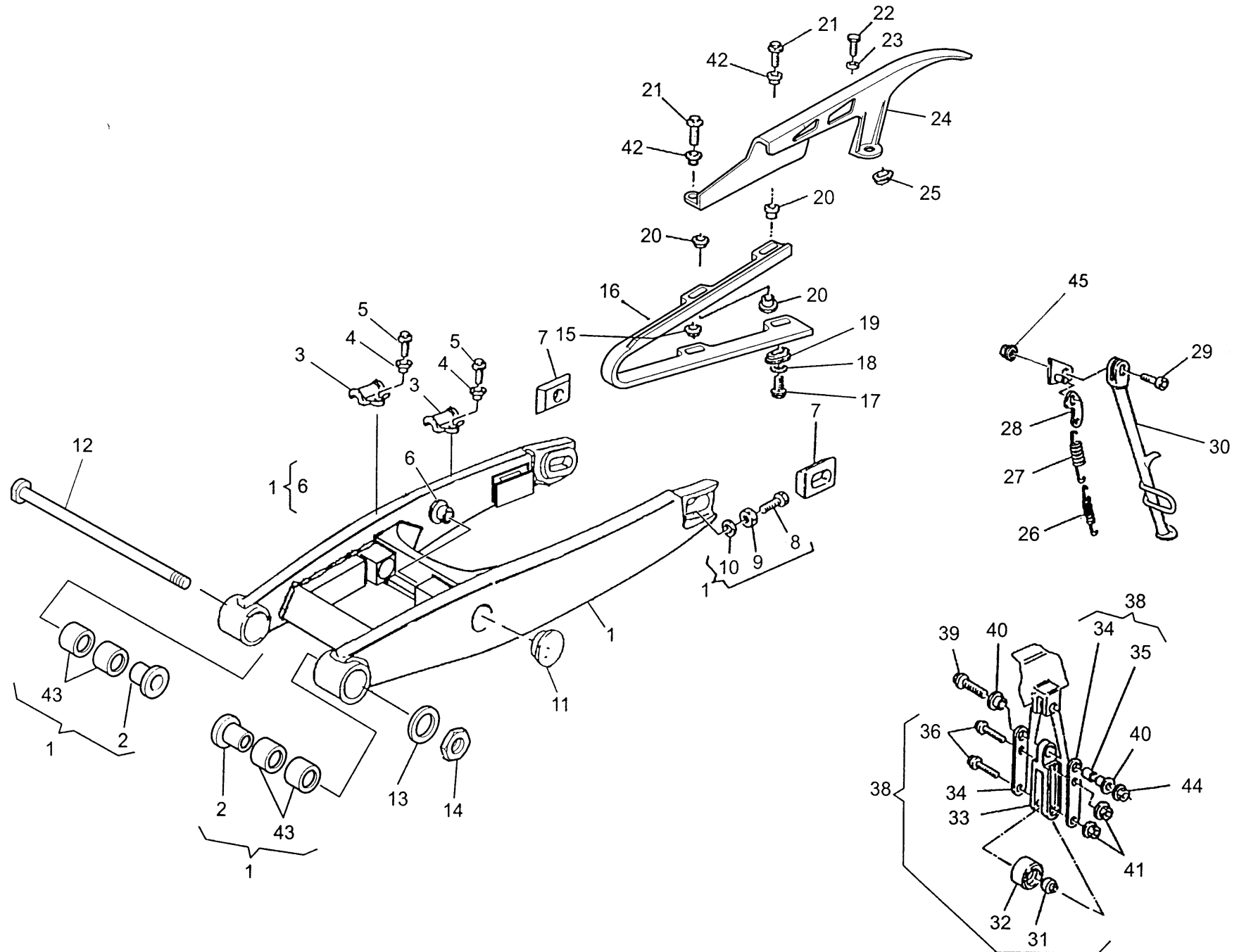


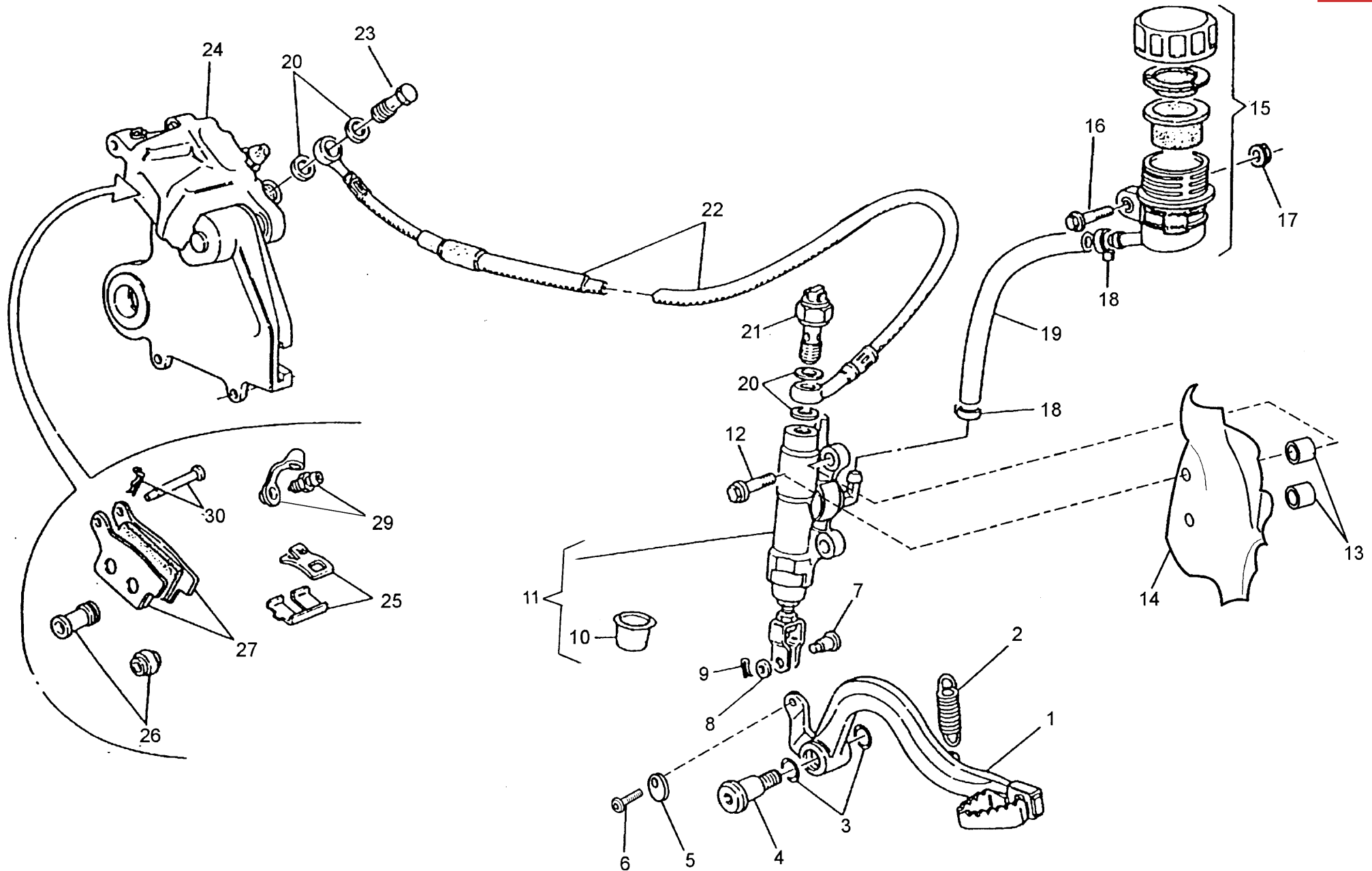
- Please note: If there is no response to CLICKING the link, please download this PDF first and then click on it.

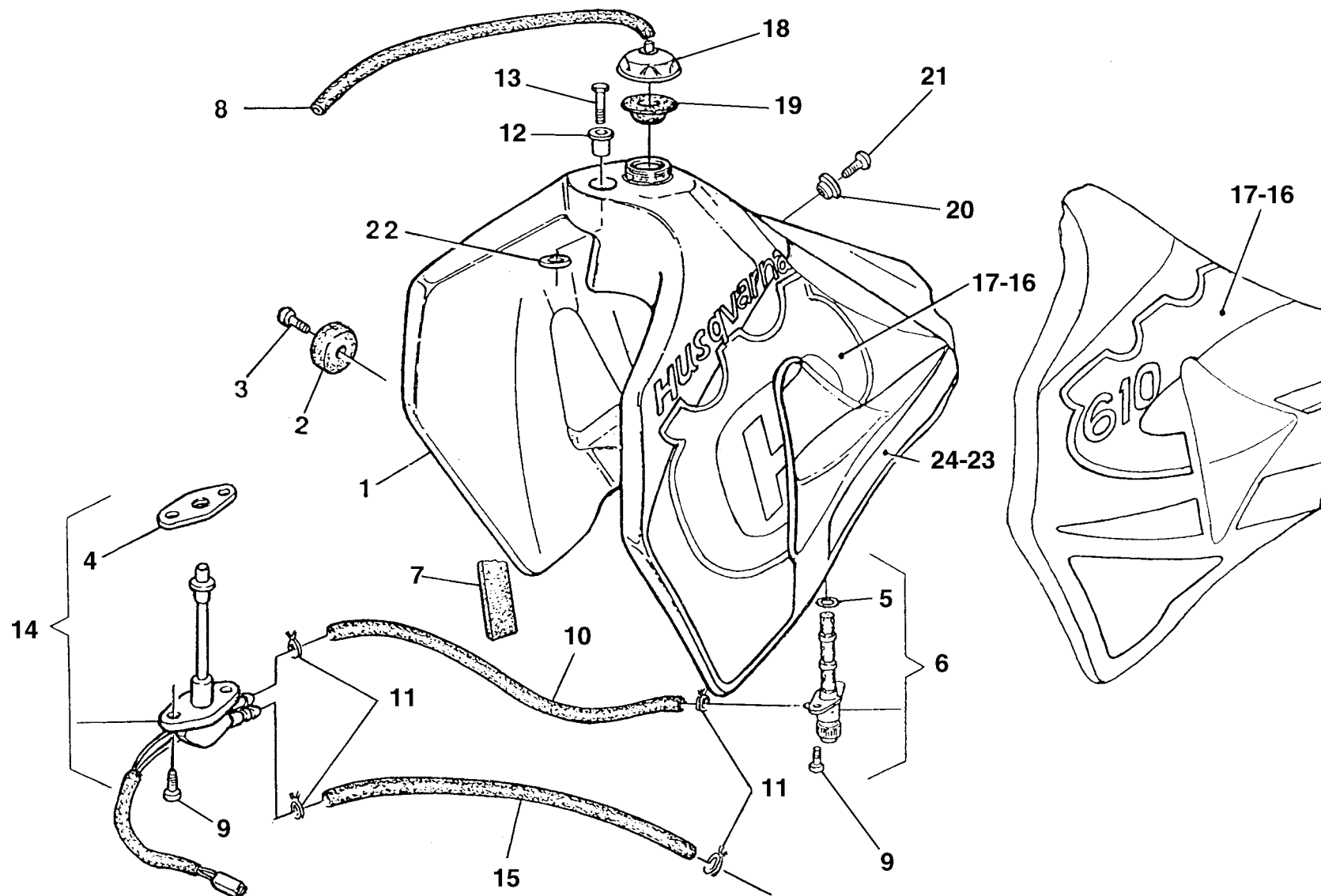
CLICK HERE TO **DOWNLOAD** THE COMPLETE MANUAL

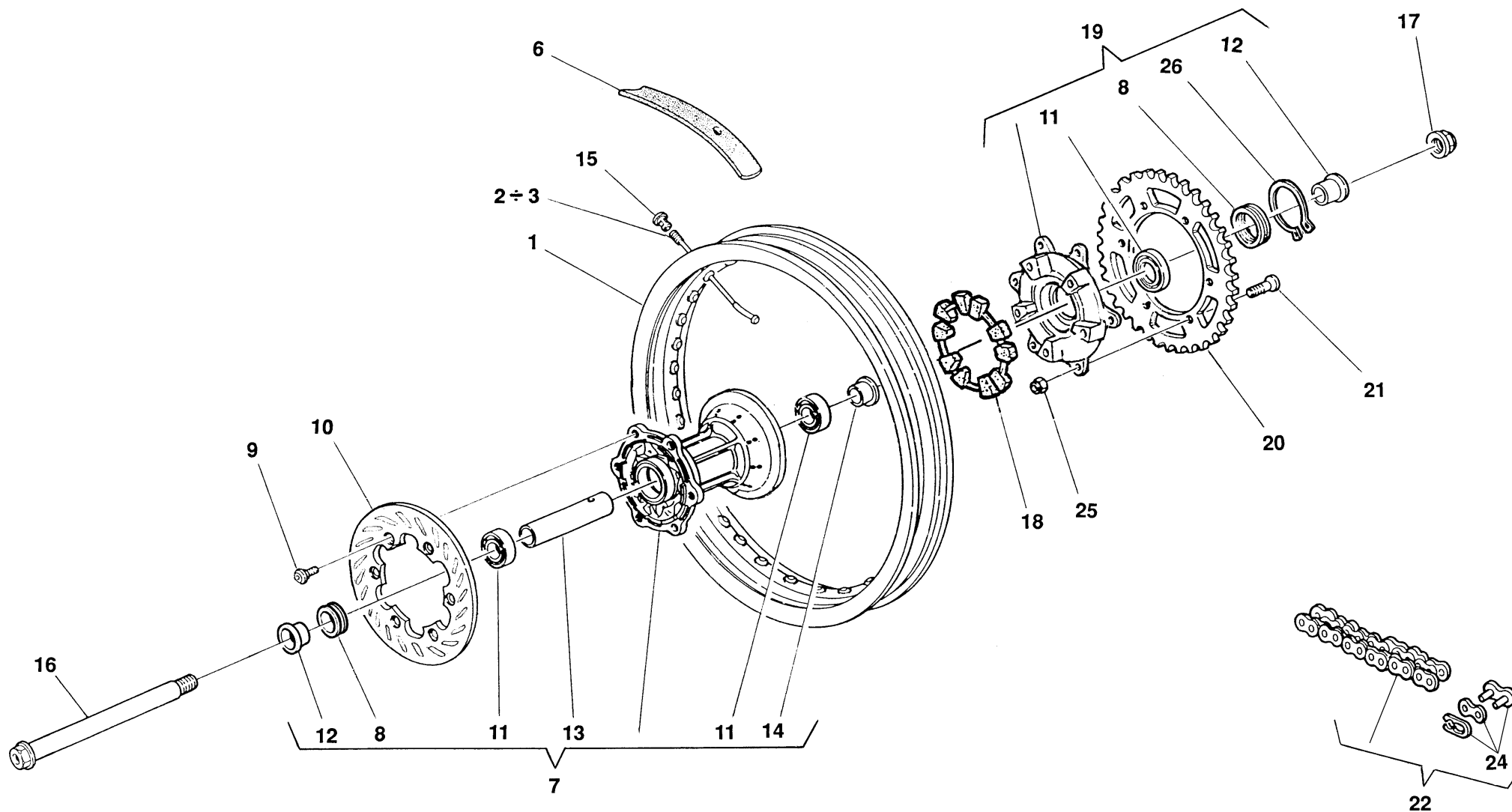




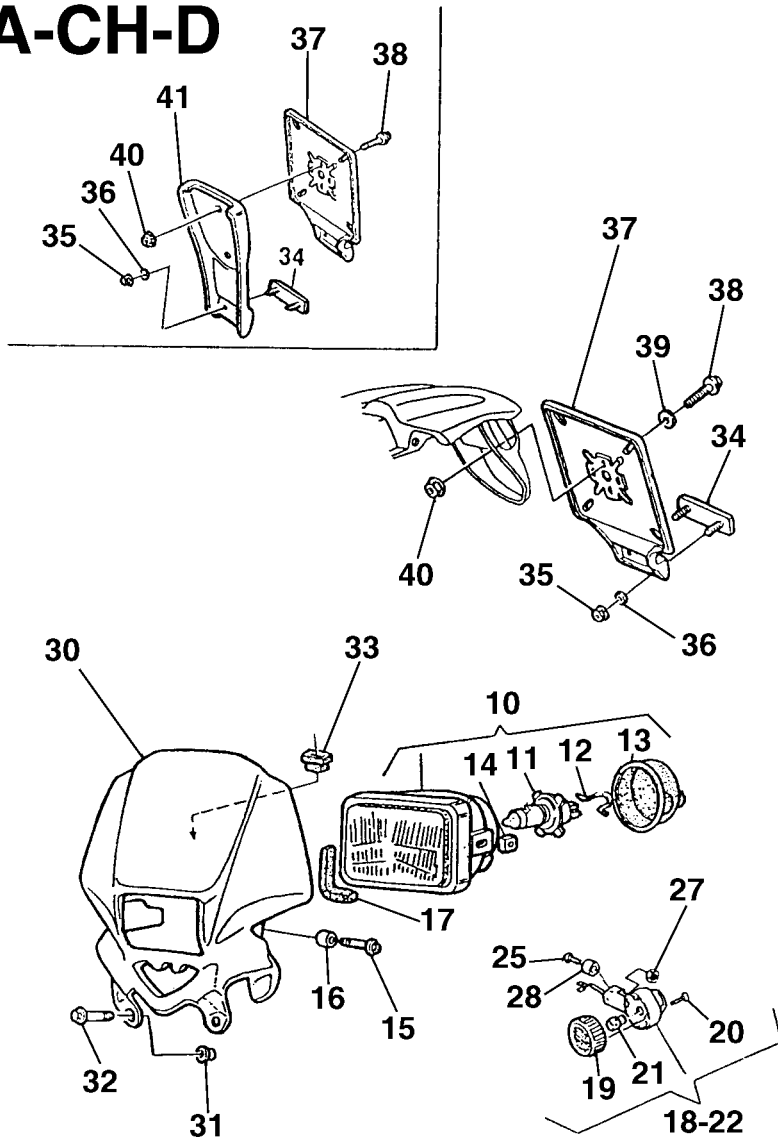




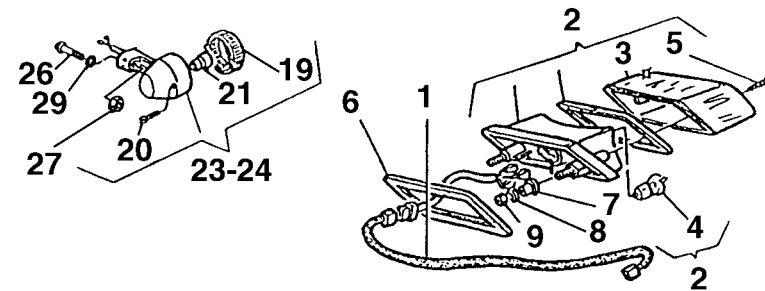
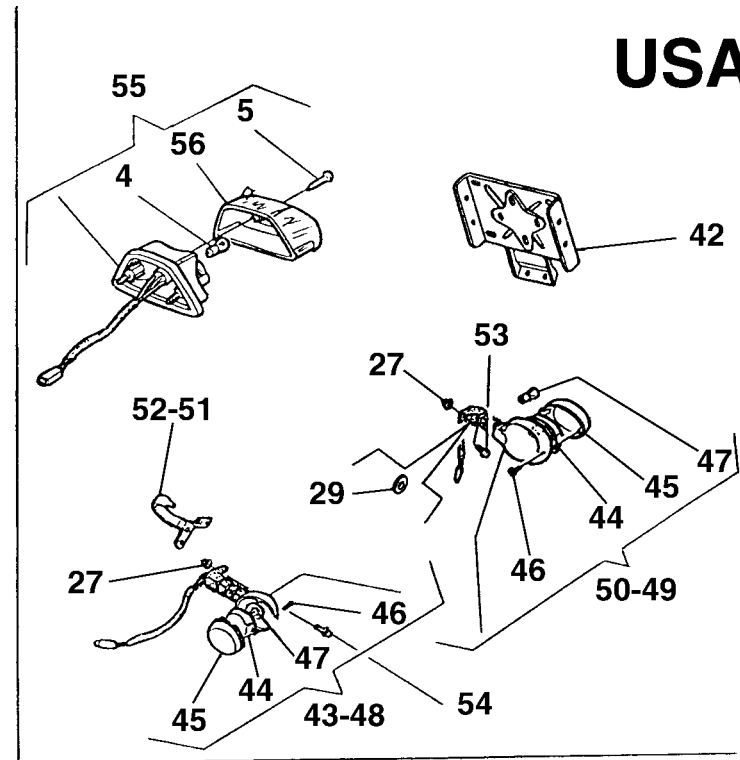


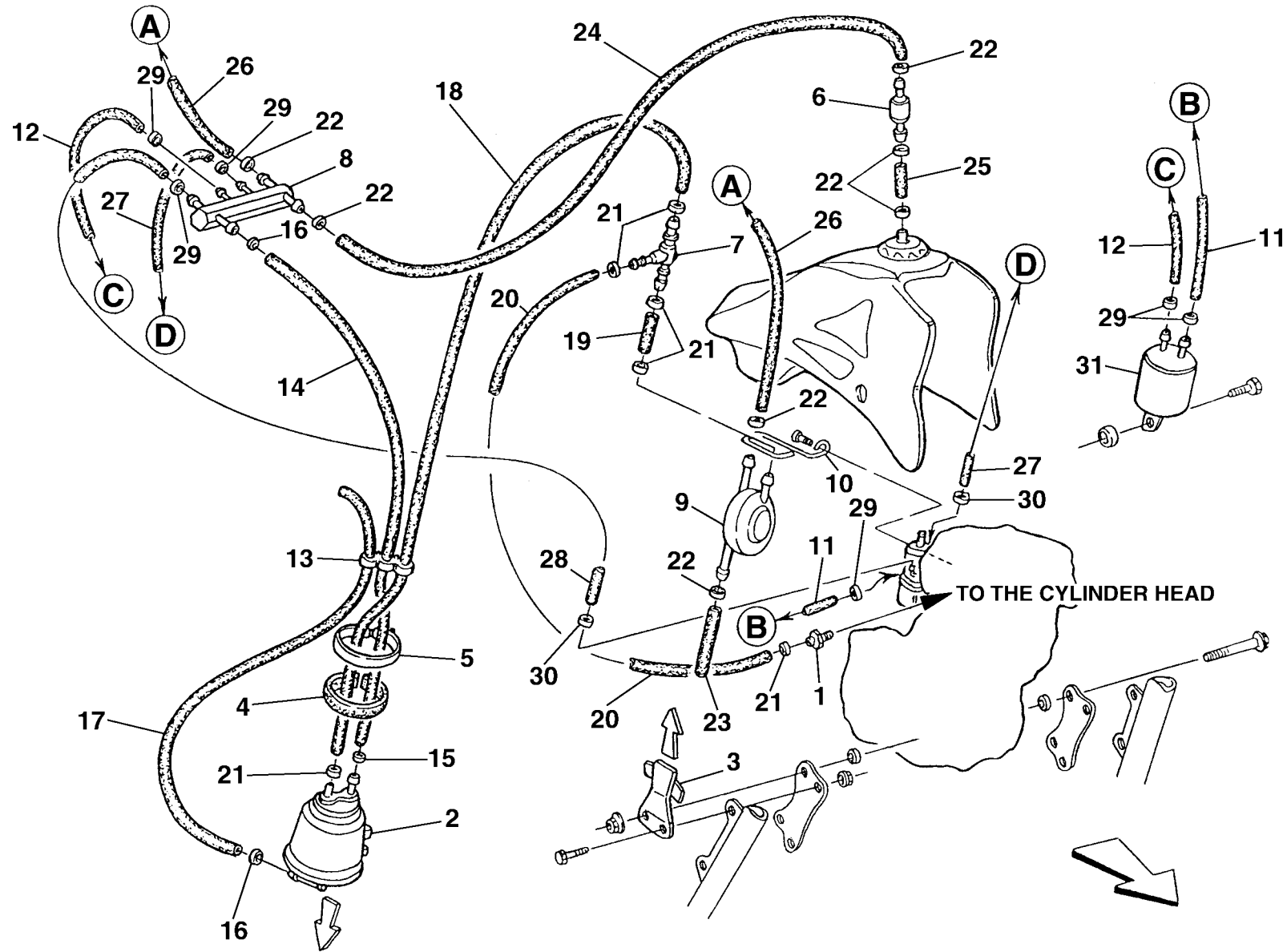


A-CH-D



USA





CLICK HERE TO **DOWNLOAD** THE COMPLETE MANUAL

- Thank you very much for reading the preview of the manual.
- You can download the complete manual from: www.heydownloads.com by clicking the link below



- Please note: If there is no response to CLICKING the link, please download this PDF first and then click on it.

CLICK HERE TO **DOWNLOAD** THE COMPLETE MANUAL