



10 -91

**CATALOGUE DE PIECES DE RECHANGE  
SPARE PARTS CATALOGUE  
ERSATZTEILKATALOG**

**CHARRUES REVERSIBLES  
REVERSIBLE PLOUGHS  
VOLLDREHPFLÜGE**

**GAMME R 65  
RANGE R 65  
BAUREIHE R 65**



CLICK HERE TO **DOWNLOAD** THE COMPLETE MANUAL

- Thank you very much for reading the preview of the manual.
- You can download the complete manual from: [www.heydownloads.com](http://www.heydownloads.com) by clicking the link below



- Please note: If there is no response to CLICKING the link, please download this PDF first and then click on it.

CLICK HERE TO **DOWNLOAD** THE COMPLETE MANUAL

INDEX

Numéro	Page	Rep	Numéro	Page	Rep	Numéro	Page	Rep	Numéro	Page	Rep	Numéro	Page	Rep
9900550	36	174	9907042	42	281	9907105	75	275	9908024	13	680	9908074	21	632
9900550	40	174	9907046	20	251	9907105	76	275	9908024	36	680	9908074	22	632
9900550	41	174	9907046	72	251	9907201	10	410	9908024	81	680	9908074	23	632
9900550	42	174	9907047	10	270	9907201	11	410	9908067	40	626	9908074	24	632
9900550	50	174	9907047	11	270	9907201	12	410	9908067	41	626	9908074	38	632
9900550	51	174	9907047	51	270	9907201	13	410	9908067	71	626	9908074	39	632
9900554	12	175	9907049	30	268	9907201	36	410	9908067	72	626	9908074	40	632
9900554	13	175	9907049	32	268	9907201	40	410	9908067	75	626	9908074	41	632
9900554	33	175	9907049	34	268	9907201	41	410	9908067	77	626	9908074	50	632
9907002	10	210	9907049	42	268	9907201	42	410	9908067	79	626	9908074	70	632
9907002	11	210	9907052	12	280	9907201	50	410	9908067	80	626	9908074	71	632
9907002	20	210	9907052	13	280	9907201	51	410	9908068	30	627	9908074	72	632
9907002	21	210	9907052	21	280	9907201	72	410	9908068	31	627	9908074	74	632
9907002	22	210	9907052	22	280	9907201	76	410	9908068	32	627	9908074	78	632
9907002	23	210	9907052	23	280	9907201	80	410	9908068	33	627	9908074	79	632
9907002	24	210	9907052	24	280	9907201	81	410	9908068	34	627	9908077	10	635
9907002	42	210	9907058	71	254	9908012	40	620	9908068	37	627	9908077	11	635
9907004	60	230	9907058	79	254	9908012	41	620	9908068	40	627	9908077	12	635
9907005	20	240	9907065	20	226	9908012	42	620	9908068	42	627	9908077	13	635
9907005	21	240	9907065	21	226	9908012	70	620	9908068	51	627	9908088	35	647
9907005	35	240	9907091	12	258	9908012	71	620	9908068	72	627	9908088	36	647
9907005	36	240	9907091	13	258	9908012	73	620	9908068	75	627	9908088	76	647
9907005	80	240	9907092	22	259	9908012	78	620	9908068	76	627	9941111	70	320
9907005	81	240	9907092	23	259	9908012	79	620	9908068	77	627	9941111	71	320
9907010	30	280	9907092	24	259	9908016	31	640	9908068	80	627	9941111	78	320
9907011	81	290	9907094	40	260	9908016	33	640	9908068	81	627	9941111	79	320
9907013	51	217	9907094	41	260	9908016	40	640	9908069	40	628	9941112	70	330
9907027	71	271	9907094	50	260	9908016	41	640	9908069	41	628	9941112	71	330
9907028	37	273	9907102	70	272	9908016	42	640	9908069	42	628	9941112	72	330
9907029	76	276	9907102	71	272	9908018	81	650	9908069	70	628	9941112	78	330
9907035	36	215	9907102	78	272	9908020	40	660	9908069	71	628	9941112	79	330
9907035	76	215	9907102	79	272	9908020	41	660	9908069	78	628	9941121	70	380
9907041	10	2100	9907104	30	274	9908020	42	660	9908069	79	628	9941121	71	380
9907041	11	2100	9907104	31	274	9908020	50	660	9908071	35	629	9941121	73	380
9907041	12	2100	9907104	32	274	9908020	51	660	9908071	36	629	9941121	78	380
9907041	13	2100	9907104	33	274	9908024	10	680	9908072	37	630	9941121	79	380
9907042	40	281	9907104	34	274	9908024	11	680	9908073	37	631	9941122	70	390
9907042	41	281	9907104	51	274	9908024	12	680	9908074	20	632	9941122	71	390

**CHARRUES REVERSIBLES**  
**REVERSIBLE PLOUGHS**  
**VOLLDREHPFLUGE**

**GAMME R 65**  
**RANGE R 65**  
**BAUREIHE R 65**

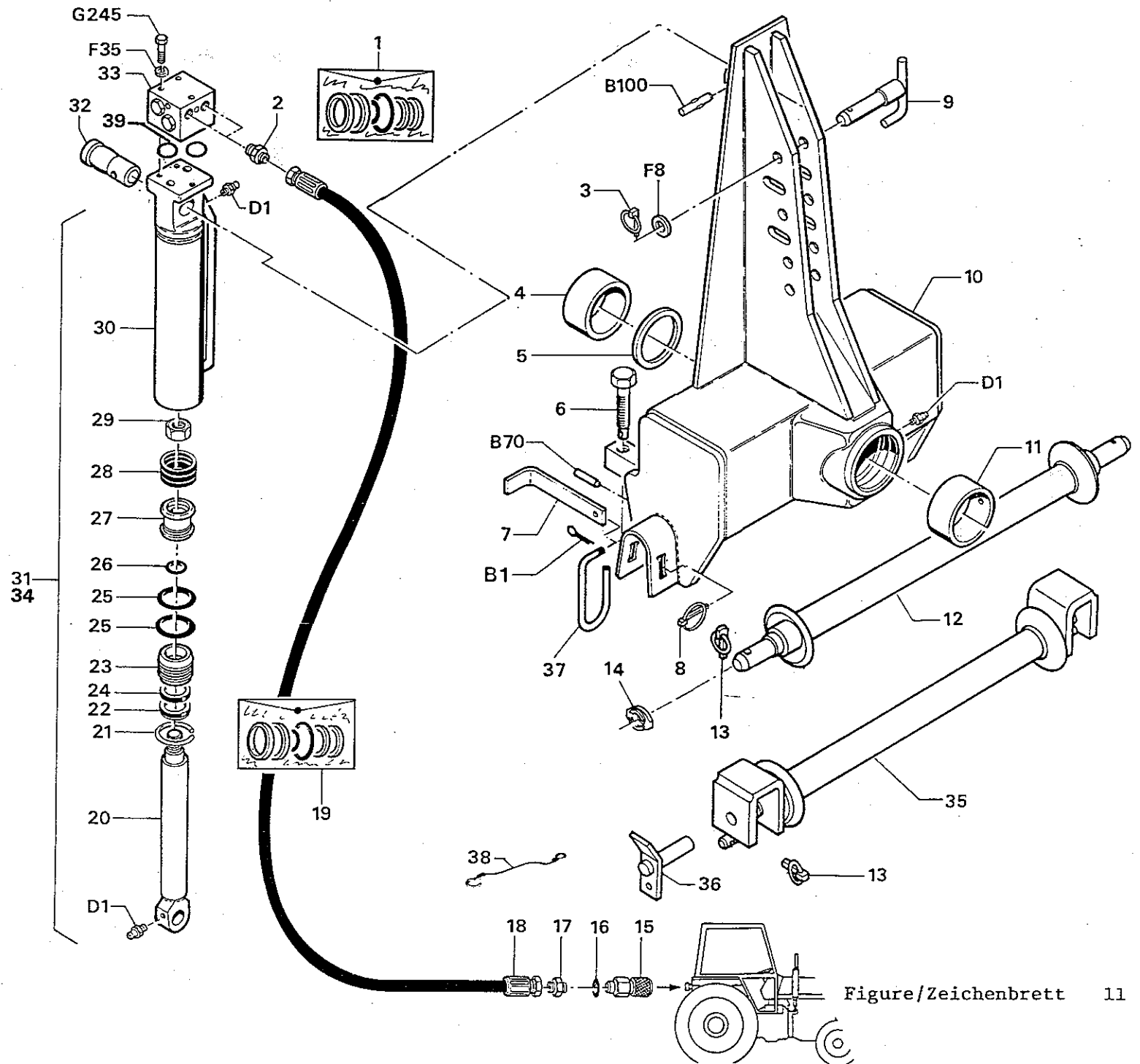
**AVANT TRAIN**  
**ATTELAGE**  
**RETOURNEMENT HYDR.**

**HEAD STOCK**  
**LINKAGE-HYDRAULIC**  
**TURNOVER**

**PFLUGKOPF**  
**ANKUPPLUNG-HYDRAUL.**  
**DREHUNG**

TRE-QR65 T SD NS  
 QRE-PR 65 T

EDITION/AUFLAGE 1/91





**CHARRUES REVERSIBLES**  
**REVERSIBLE PLOUGHS**  
**VOLLDREHPFLUGE**

**GAMME R 65**  
**RANGE R 65**  
**BAUREIHE R 65**

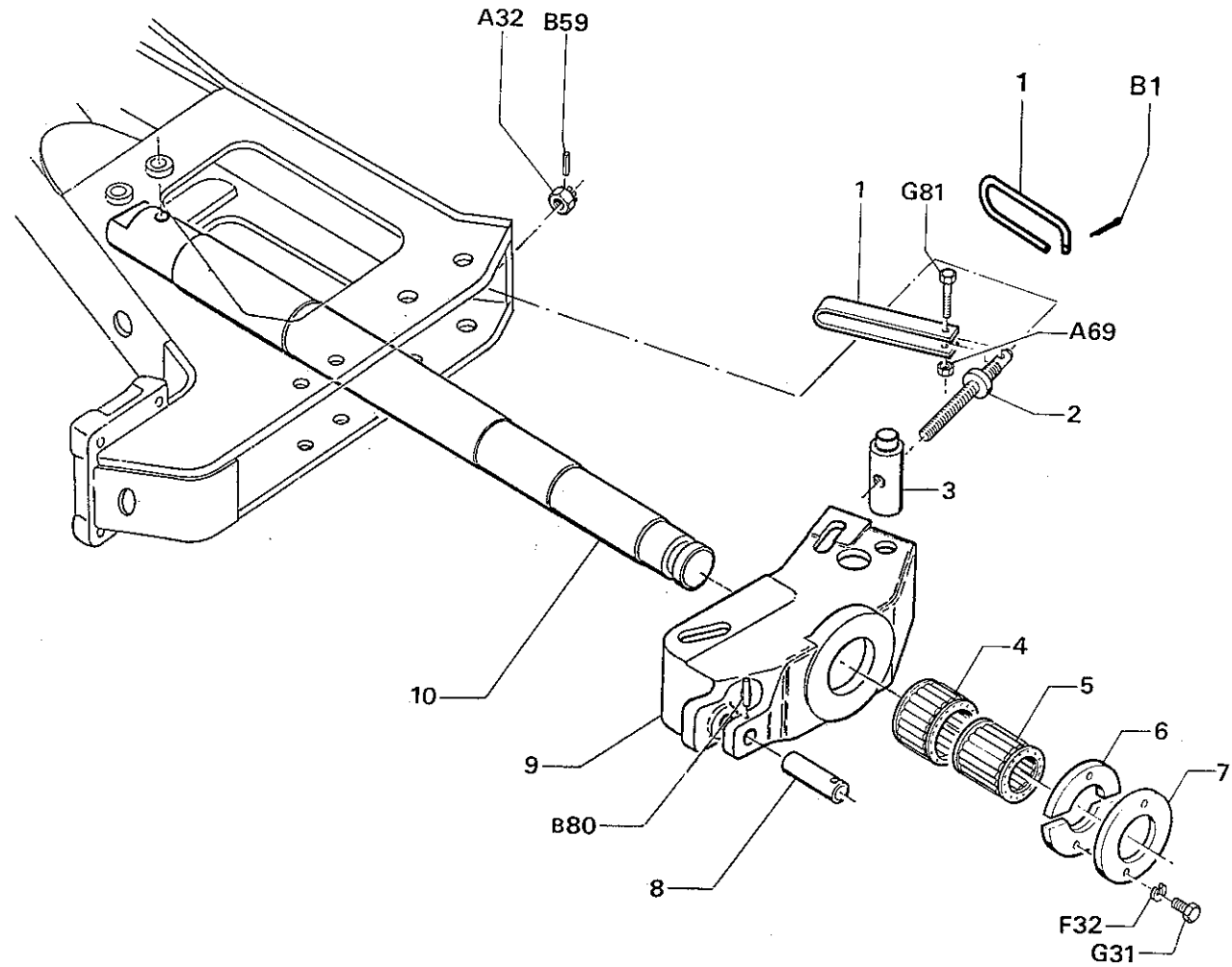
**PARTIE MEDIANE**  
**DEVERS-DEPORT**  
**LATERAL**

**FRAME SUPPORT**  
**OFFSETTING/ANGLING**  
**DEVICE**

**MITTELTEIL**  
**ZUGPUNKT/ERSTEFURCHE**  
**EINSTELLUNG**

TRE-QR 65 NS

EDITION/AUFLAGE 1/91



**CHARRUES REVERSIBLES  
REVERSIBLE PLOUGHS  
VOLLDREHPFLUGE**

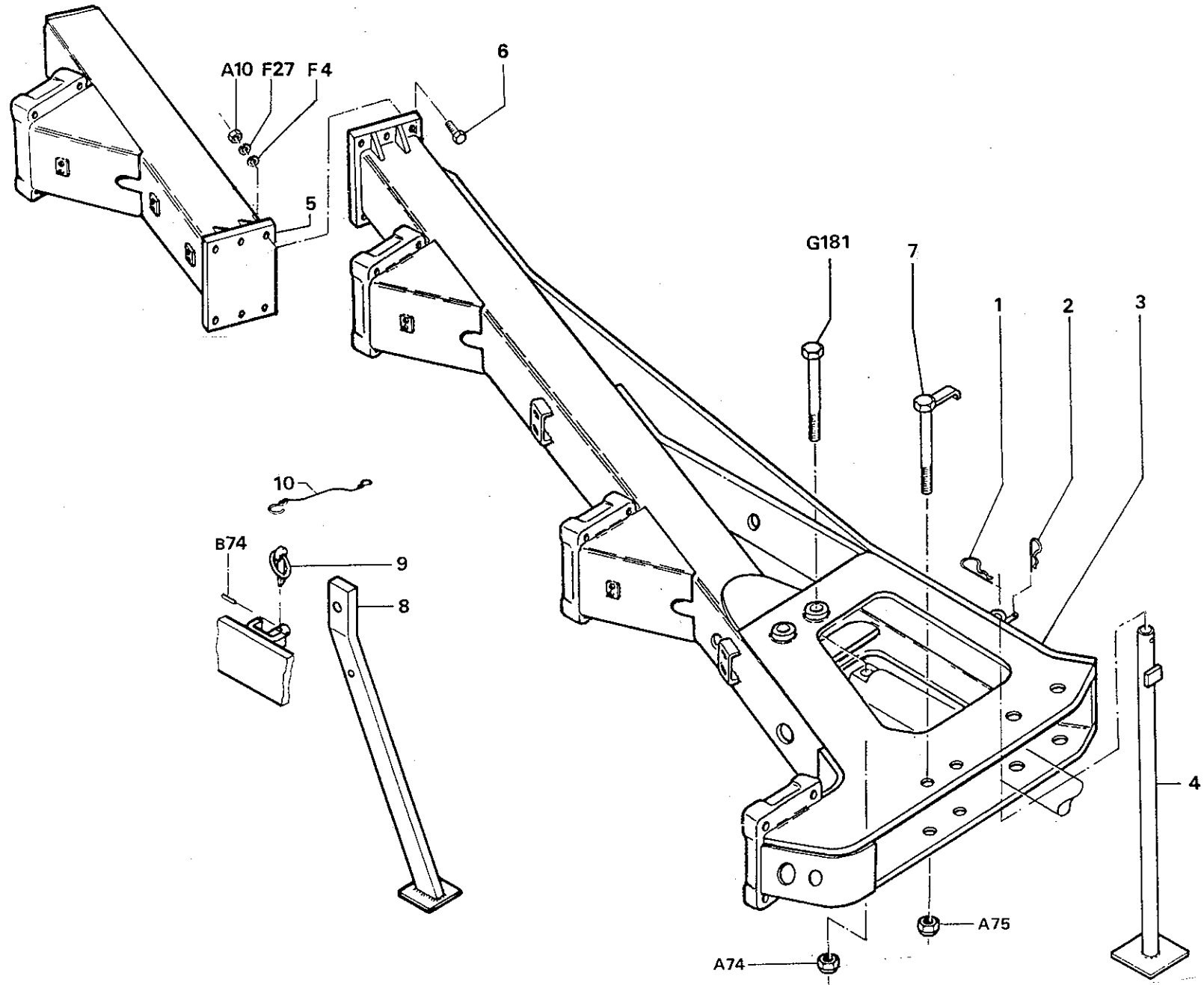
**GAMME R 65  
RANGE R 65  
BAUREIHE R 65**

**ARRIERE TRAIN  
BATI-EXTENSIBILITE**

**FRAME  
FRAME EXTENSION**

**RAHMEN  
RAHMEN ERWEITERUNG**

TRE-QR 65 NS



CLICK HERE TO **DOWNLOAD** THE COMPLETE MANUAL

- Thank you very much for reading the preview of the manual.
- You can download the complete manual from: [www.heydownloads.com](http://www.heydownloads.com) by clicking the link below



- Please note: If there is no response to CLICKING the link, please download this PDF first and then click on it.

CLICK HERE TO **DOWNLOAD** THE COMPLETE MANUAL

**CHARRUES REVERSIBLES  
REVERSIBLE PLOUGHS  
VOLLDREHPFLUGE**

**GAMME R 65  
RANGE R 65  
BAUREIHE R 65**

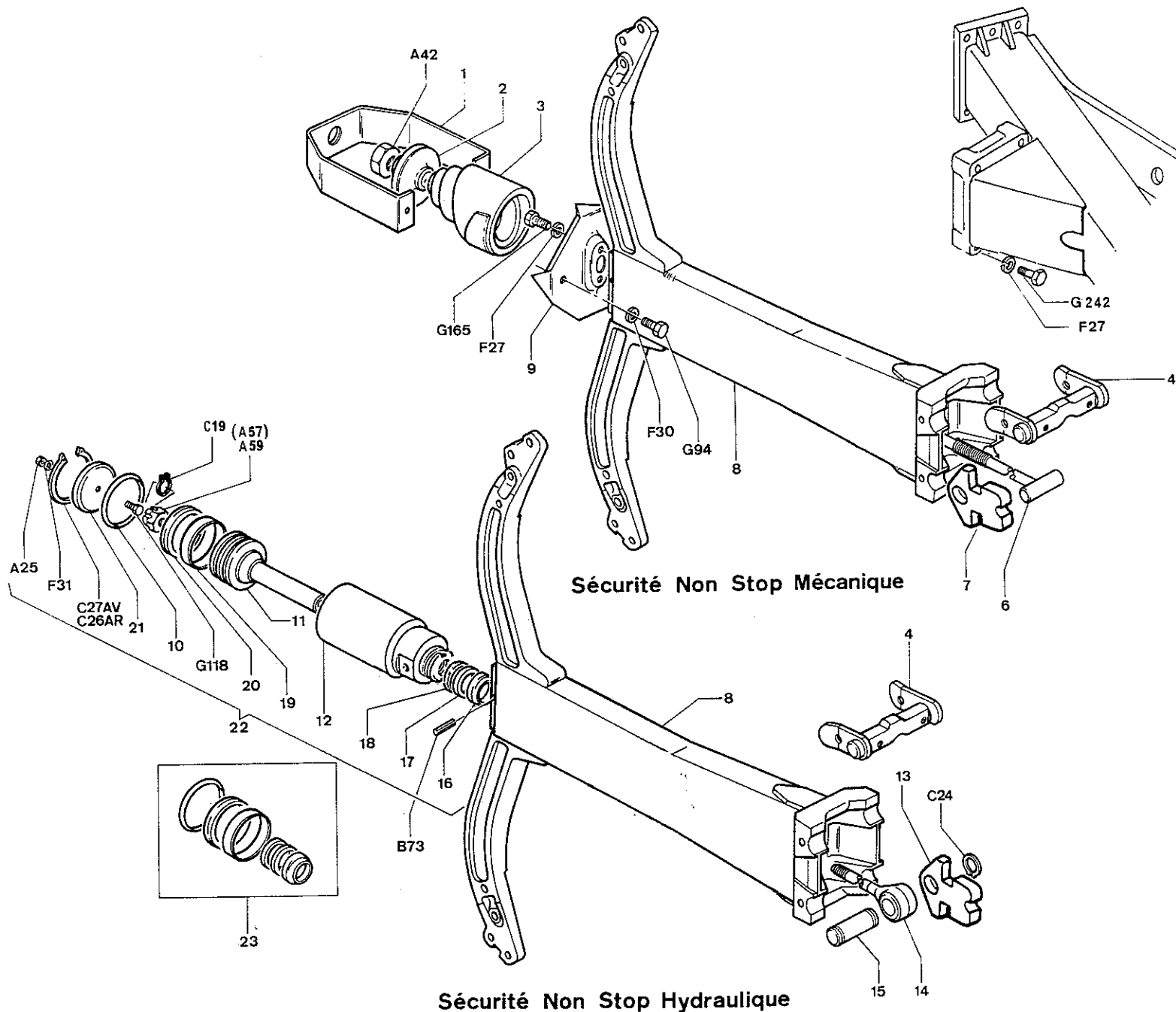
**ARRIERE TRAIN  
SECURITE NSM ET NSH**

**FRAME  
SAFETY NSM AND NSH**

**GRINDEL  
SICHERUNG NSM UND  
NSH**

R 65 NS

EDITION/AUFLAGE 1/91



**CHARRUES REVERSIBLES  
REVERSIBLE PLOUGHS  
VOLLDREHPFLUGE**

**GAMME R 65  
RANGE R 65  
BAUREIHE R 65**

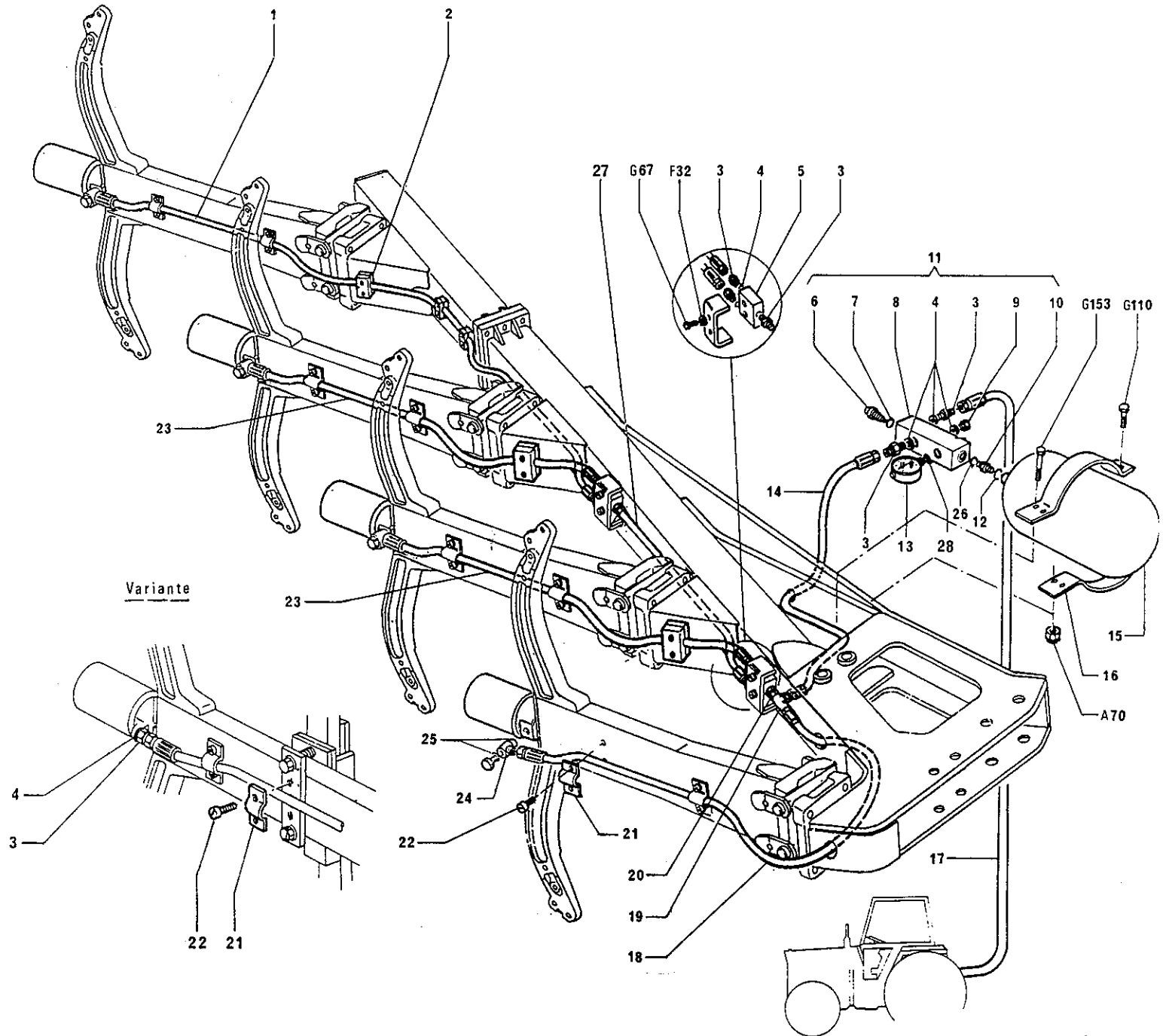
**ARRIERE TRAIN  
SECURITE NON-STOP  
HYDRAULIQUE (NSH)**

**FRAME  
SAFETY SYSTEM NSH**

**HYDRAULIKANLAGE  
SICHERUNG NSH**

TRE-QR 65 NSH

EDITION/AUFLAGE 1/91



Figure/Zeichenbrett 39

**CHARRUES REVERSIBLES**  
**REVERSIBLE PLOUGHS**  
**VOLLDREHPFLUGE**

**GAMME R 65**  
**RANGE R 65**  
**BAUREIHE R 65**

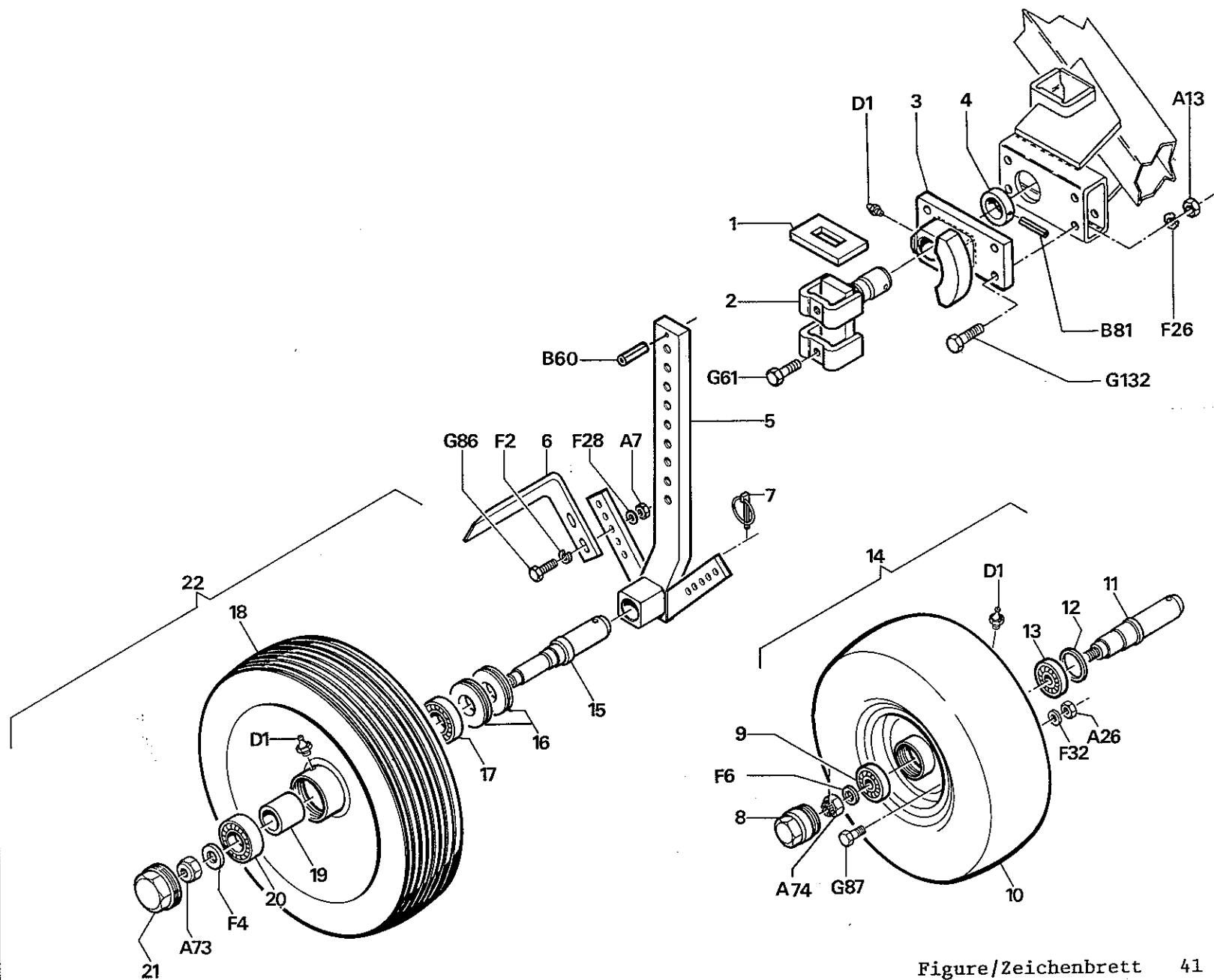
**ROUE ARRIERE DE**  
**REGULATION**

**REAR DEPTH WHEEL**

**TASTRAD**

**QRE-PR 65 T**

**EDITION/AUFLAGE 1/91**



Figure/Zeichenbrett 41

**CHARRUES REVERSIBLES  
REVERSIBLE PLOUGHS  
VOLLDREHPFLUGE**

**GAMME R 65  
RANGE R 65  
BAUREIHE R 65**

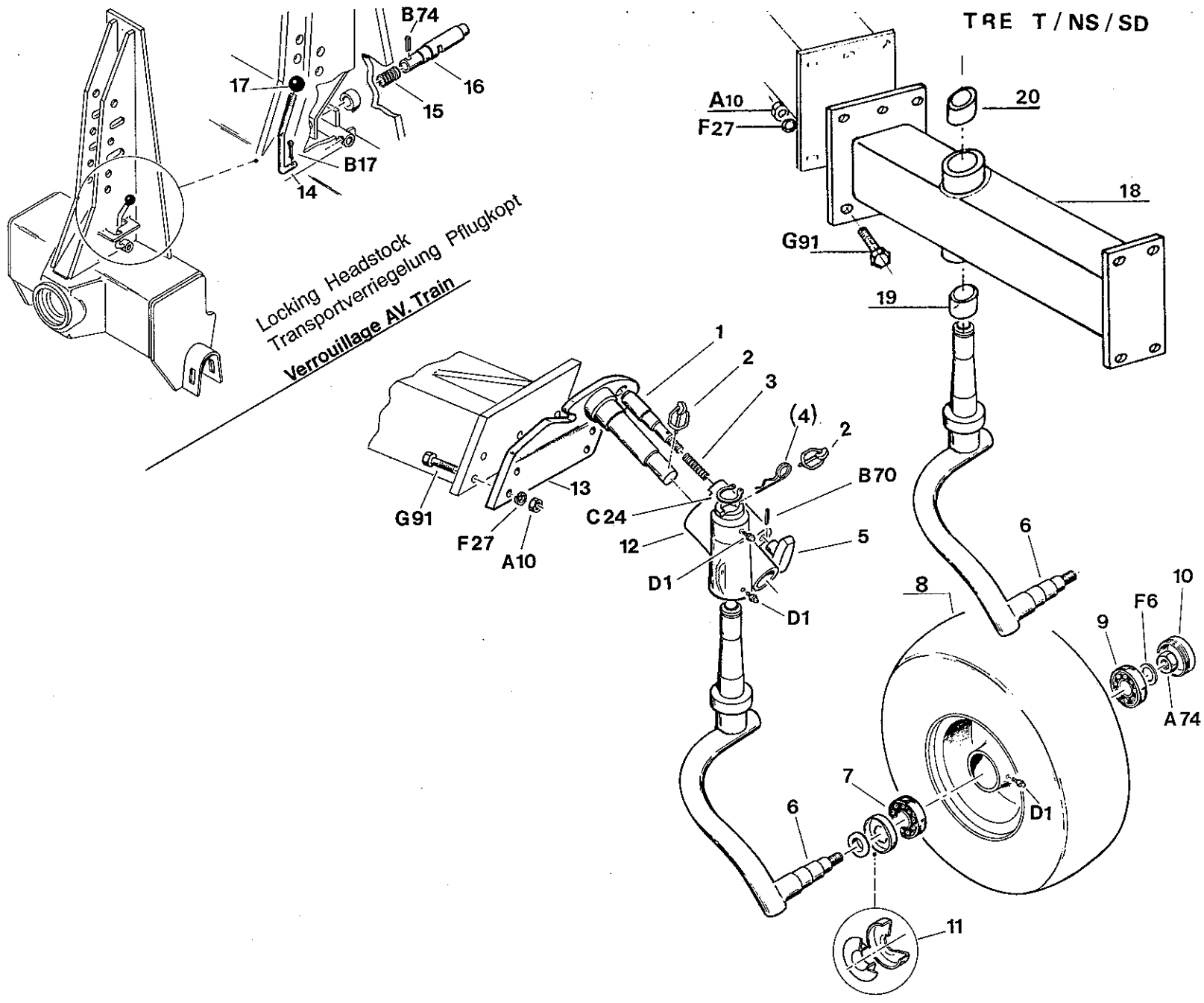
**ROUE DE TRANSPORT  
ARRIERE**

**REAR TRANSPORT WHEEL**

**TRANSPORTRAD**

TRE/QR65T NS SD/QRE/PR65T

EDITION/AUFLAGE 3/91





**CHARRUES REVERSIBLES  
REVERSIBLE PLOUGHS  
VOLLDREHPFLUGE**

**GAMME R 65  
RANGE R 65  
BAUREIHE R 65**

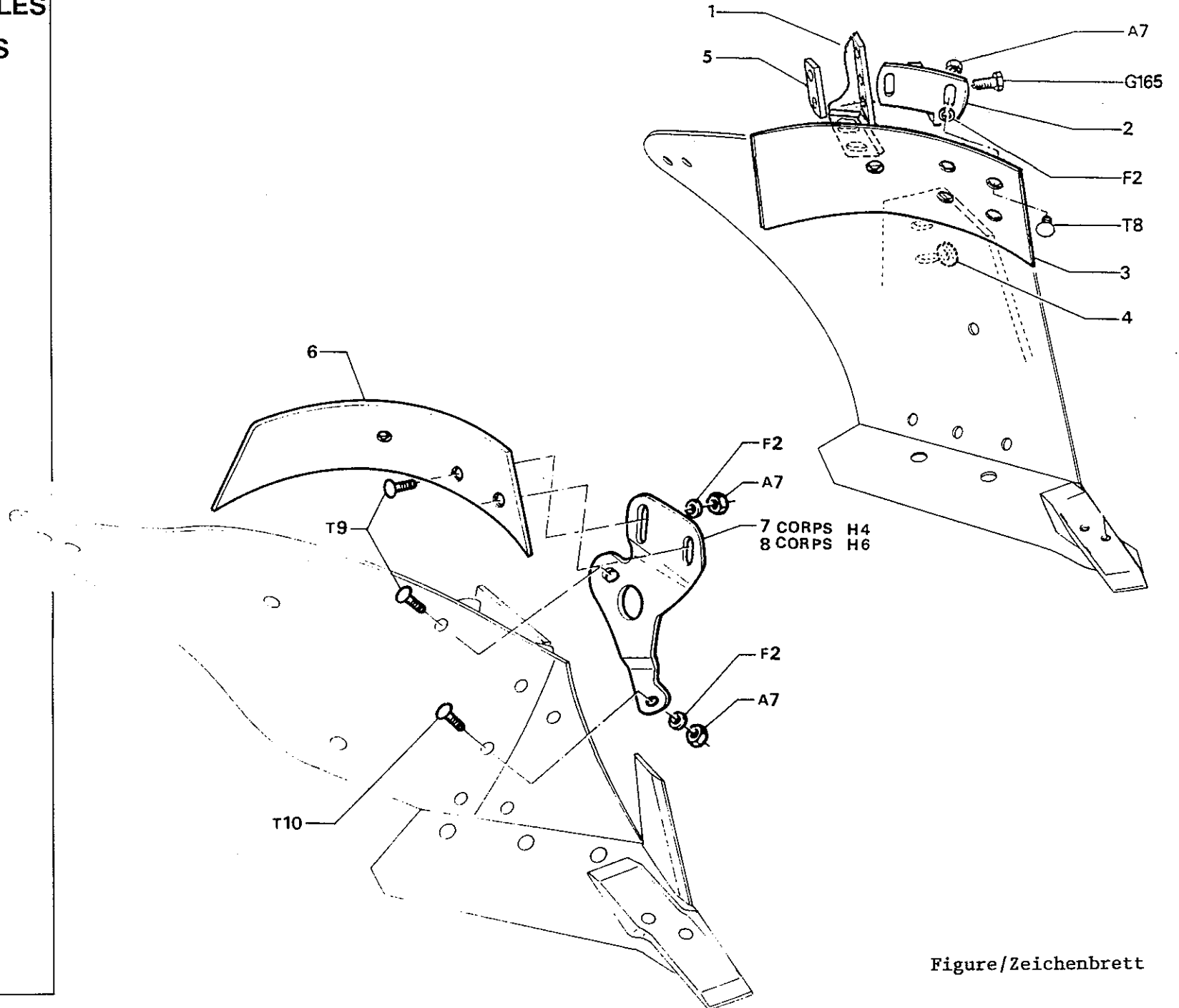
**EQUIPEMENTS  
DEFLECTEURS  
POUR CORPS DE LABOUR**

**EQUIPMENT:  
TRASHBOARD**

**AUSRÜSTUNG:  
STREICHBLECHAUFSATZ**

BRE/TR65 T SD NS  
TRE/QR65 T SD NS  
QRE/PR 65 T

EDITION/AUFLAGE 1/91



Figure/Zeichenbrett 73

**CHARRUES REVERSIBLES  
REVERSIBLE PLOUGHS  
VOLLDREHPFLUGE**

**GAMME R 65  
RANGE R 65  
BAUREIHE R 65**

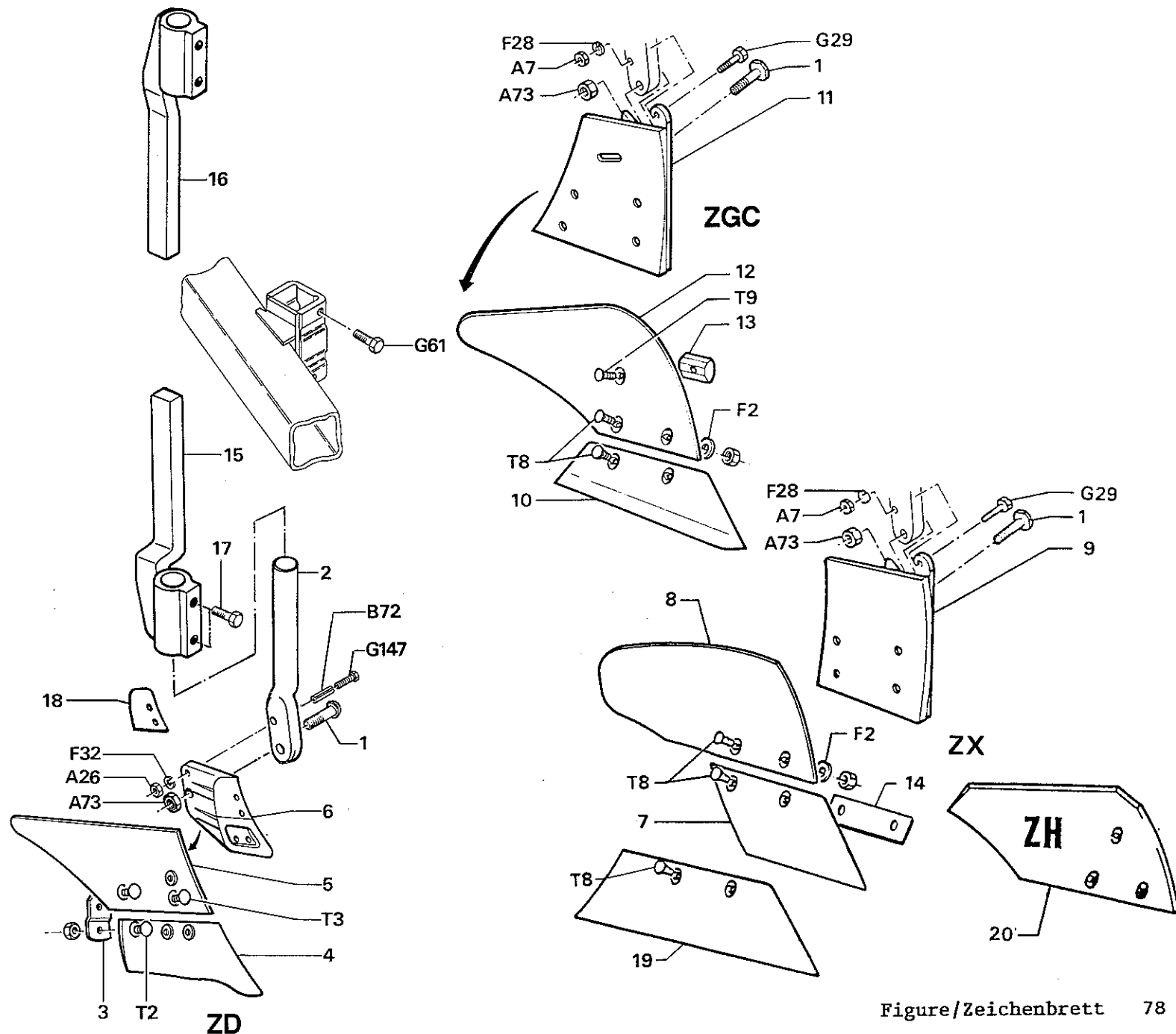
**EQUIPEMENTS  
RASETTE ORIENTABLES**

**EQUIPMENT:  
ADJUSTABLE SKIMMERS**

**AUSRÜSTUNG:  
VERSTELLBARE  
VORSCHALER**

BRE/TR 65 T ET S  
TRE/QR 65 T ET S  
QRE/PR 65 T ET S

EDITION/AUFLAGE 1/91



Figure/Zeichenbrett 78

CLICK HERE TO **DOWNLOAD** THE COMPLETE MANUAL

- Thank you very much for reading the preview of the manual.
- You can download the complete manual from: [www.heydownloads.com](http://www.heydownloads.com) by clicking the link below



- Please note: If there is no response to CLICKING the link, please download this PDF first and then click on it.

CLICK HERE TO **DOWNLOAD** THE COMPLETE MANUAL