

1981 GL500I Parts Manual

The data contained herein was collected from sources on the Internet freely available to the general public.

Disclaimer: The information contained herein is believed to be accurate but the user of this data assumes all risk associated with its usage.

CLICK HERE TO **DOWNLOAD** THE COMPLETE MANUAL

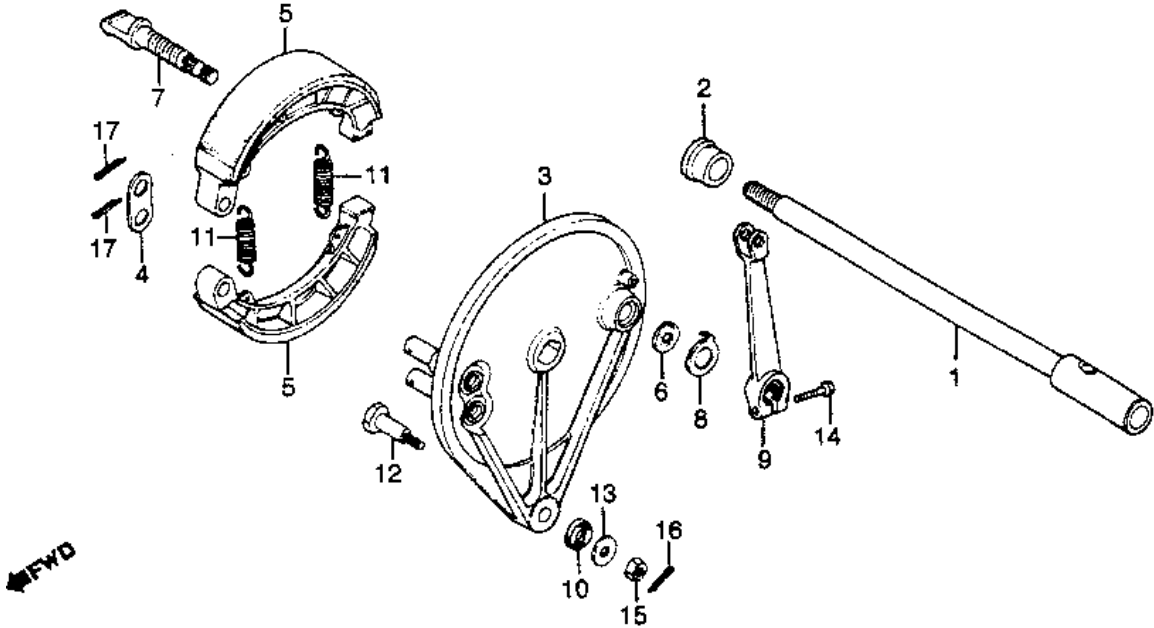
- Thank you very much for reading the preview of the manual.
- You can download the complete manual from: www.heydownloads.com by clicking the link below



- Please note: If there is no response to CLICKING the link, please download this PDF first and then click on it.

CLICK HERE TO **DOWNLOAD** THE COMPLETE MANUAL

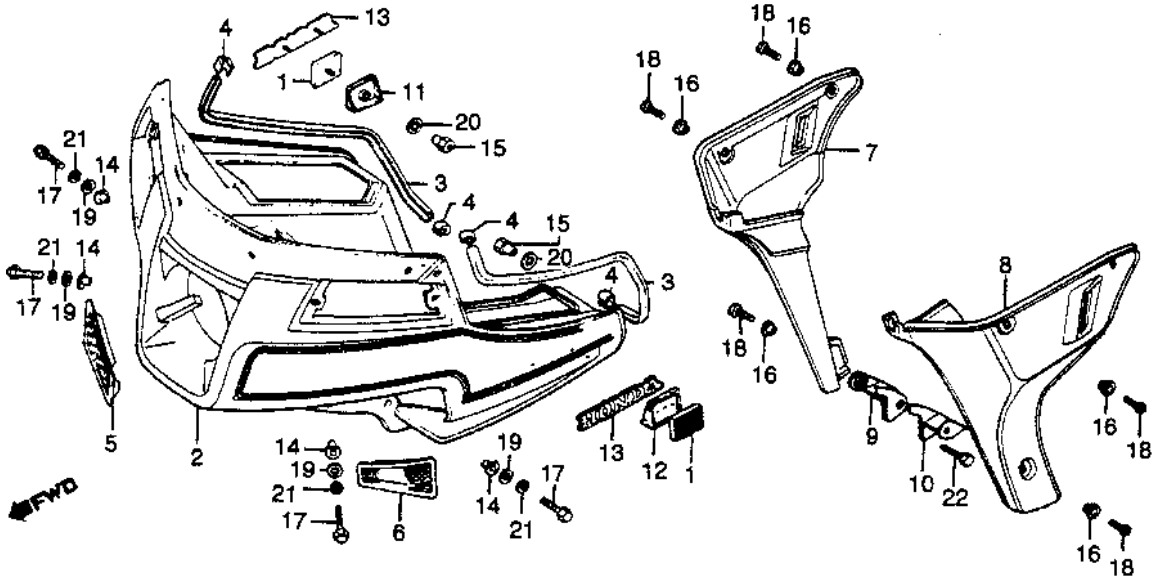
Brake Panel, Rear & Rear Axle



REF#	PART		#REQ
01	AXLE, RR. WHEEL	42301-MA1-000	001
02	COLR, RR. PANEL SIDE	42311-MA1-000	001
03	PANEL, RR.	43100-415-010	001
04	WASHER, ANCHOR PIN	43102-319-000	
		(replaces 43106-222-300)	001
05	SHOE, BRAKE	43120-MW3-671	
		(replaces 43120-415-000)	002
06	DUST SEAL, BRAKE CAM	43134-300-000	001
07	CAM, RR. BRAKE	43141-415-000	001
08	INDICATOR, RR. BRAKE	43145-MA1-000	001
09	ARM, RR. BRAKE	43410-MA1-000	001
10	RUBBER	43434-286-000	001
11	SPRING, FR.	45133-329-000	002
12	BOLT, RR.	90127-393-000	001
13	WASHER A	90524-030-000	001
14	BOLT, HEX. (8X25)	92101-08025-0A	
		(replaces 92000-08025-0A)	
15	NUT, HEX. (8MM)	94001-08000-0S	001
16	PIN, COTTER (2.0X35)	94201-20350	
		(replaces 94201-20180)	
		(replaces 94201-20200)	
		(replaces 94201-20250)	
		(replaces 94201-20280)	
		(replaces 94201-20320)	001
16	PIN, COTTER (2.0X22)	94201-29220	001
17	PIN, COTTER (2.5MM)	94201-25300	
		(replaces 94201-25200)	
		(replaces 94201-25250)	002
NI	SHOE KIT, BRAKE	06430-MW3-671	
		(replaces 06430-415-000)	
		(replaces 431A2-415-000)	001

22	SPARK PLUG (DR8ES-L)	98069-38719	001
22	SPARK PLUG (DR8ES)	98069-58719	
	(replaces	98069-58716)	001
22	SPARK PLUG (D8EA)	98069-58717	001
22	S/PLG (X24ESR-U)	98069-58726	001
22	SPARK PLUG (X24ES-U)	98069-58727	001
22	SPARK PLUG (D9EA)	98069-59717	001
22	S/PLG (X27ESR-U)	98069-59726	001
22	SPARK PLUG (X27ES-U)	98069-59727	001

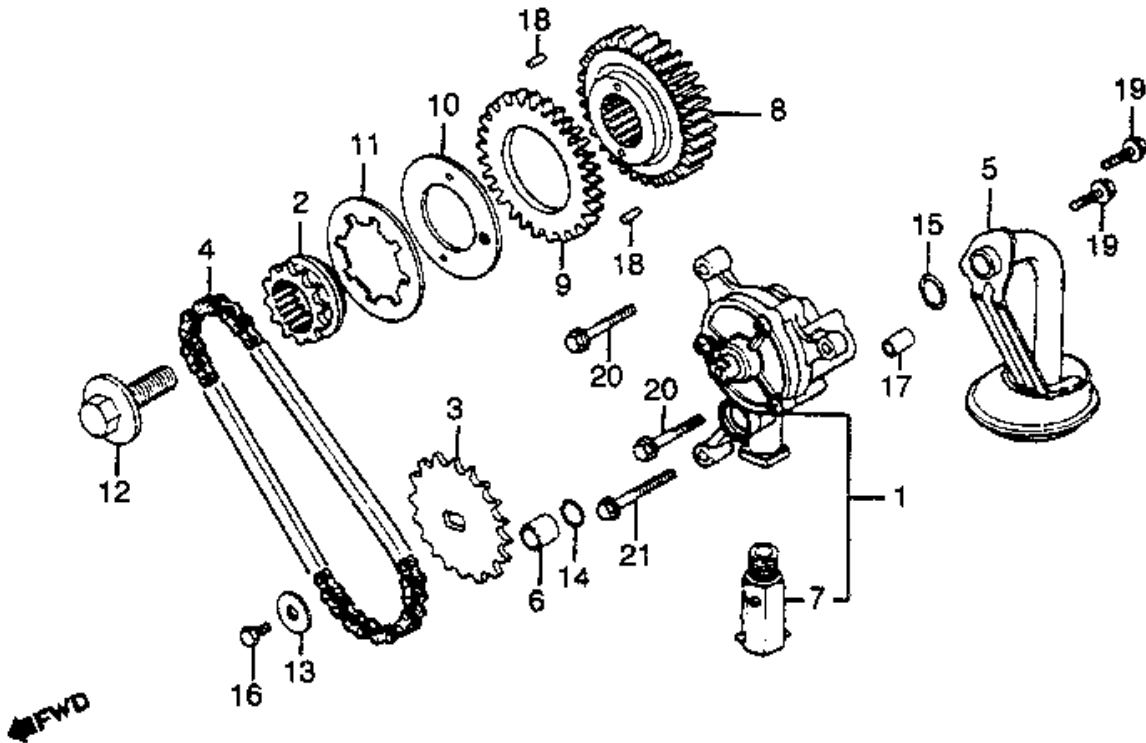
Fairing



REF#	PART		#REQ
01	REFLECTOR, FR.	33741-449-000	002
02	FAIRING *R104CU*	64200-MA1-770ZA	
02	FAIRING *B100MU*	64200-MA1-770ZB	
03	MOLDING, COWL TRIM	64205-463-770	002
04	CAP, MOLDING END	64207-MB9-770	
		(replaces 64207-463-770)	
		(replaces 64207-463-771)	004
05	COVER, R. AIR DUCT	64278-463-771	
		(replaces 64278-463-770)	001
06	COVER, L. AIR DUCT	64279-463-771	
		(replaces 64279-463-770)	001
07	COWL, R. *R104CU*	64280-MA1-770ZA	
07	COWL, R. *B100MU*	64280-MA1-770ZB	
08	COWL, L. *R104CU*	64290-MA1-770ZA	
08	COWL, L. *B100MU*	64290-MA1-770ZB	
09	STAY, R. (LOWER)	64330-MA1-770	001
10	STAY, L. (LOWER)	64340-MA1-770	001
11	BASE, R. FR.	64520-463-770	001
12	BASE, L. FR.	64530-463-770	001
13	EMBLEM, FAIRING SIDE	87109-463-770	002
13	EMBLEM, L.	87109-MB9-770	002
14	COLLAR, COWL SETTING	90120-463-770	004
15	NUT, SPECIAL (6MM)	90201-463-770	002
16	COLLAR	90522-170-700	006
17	BOLT, CAP (6X25)	92501-06025-0G	
		(replaces 92500-06025-0G)	
18	SCREW, PAN (6X16)	93500-06016-0G	006
19	WASHER, PLAIN (6MM)	94101-06700	004
20	WASHER (10.5X22X1.6)	94101-10800	002
21	WASHER, SPRING (6MM)	94111-06700	004
22	BOLT, FLANGE (6X10)	95701-06010-00	
		(replaces 95700-06010-00)	002

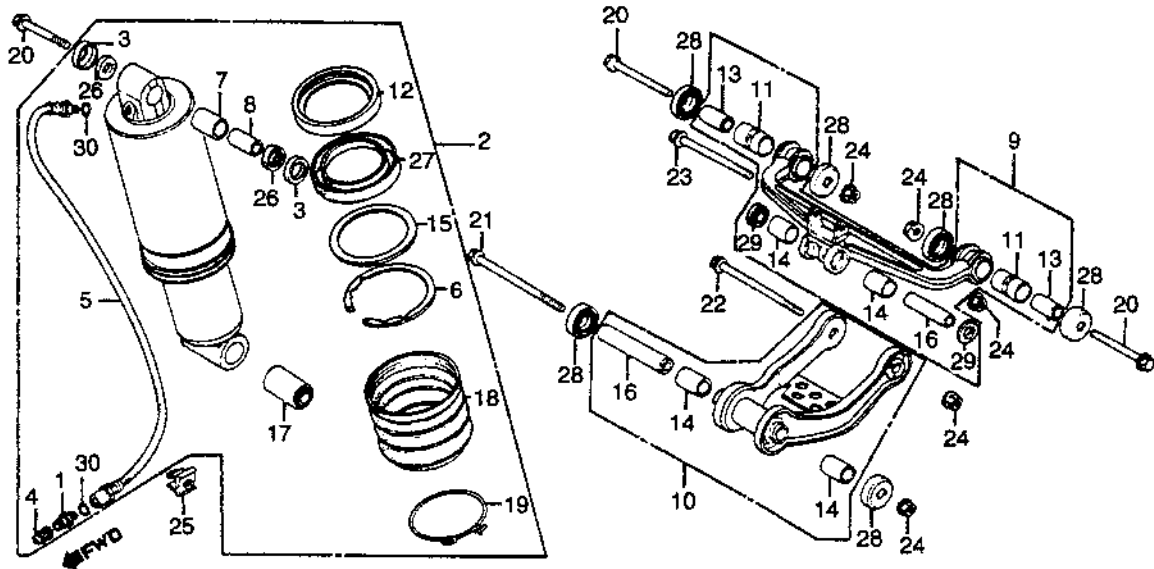
		(replaces 91255-434-013)	
		(replaces 91255-MA6-013)	002
33	O-RING (5.8X1.9)	91305-323-000	
		(replaces 91301-469-003)	003
33	O-RING (5.6X1.9)	91318-ME5-003	003
34	O-RING (25.7X2.8)	91356-428-003	002
35	BOLT, HEX. (6X8)	92101-06008-0A	
		(replaces 92000-06008)	
		(replaces 92000-06008-0A)	002
36	BOLT, STUD (8X50)	92700-08050-0E	
		(replaces 92700-08050)	
36	BOLT, STUD (8X50)	92700-08050-00	
36	BOLT, STUD (8X50)	92700-08050-05	
		(replaces 92700-08050-0B)	
36	BOLT, STUD (8X32)	92900-08032-0E	004
37	NUT, HEX. (8MM)	94030-08000	004
38	NUT, FLANGE (6MM)	94050-06000	002
39	WASHER, PLAIN (8MM)	94101-08000	004
40	WASHER, SPRING (8MM)	94111-08000	004
41	HOLDER 1C, FR.	95014-41000	002
42	BOLT, FLANGE (6X14)	95701-06014-00	
		(replaces 95700-06014-00)	002

Oil Pump & Primary Drive Gear



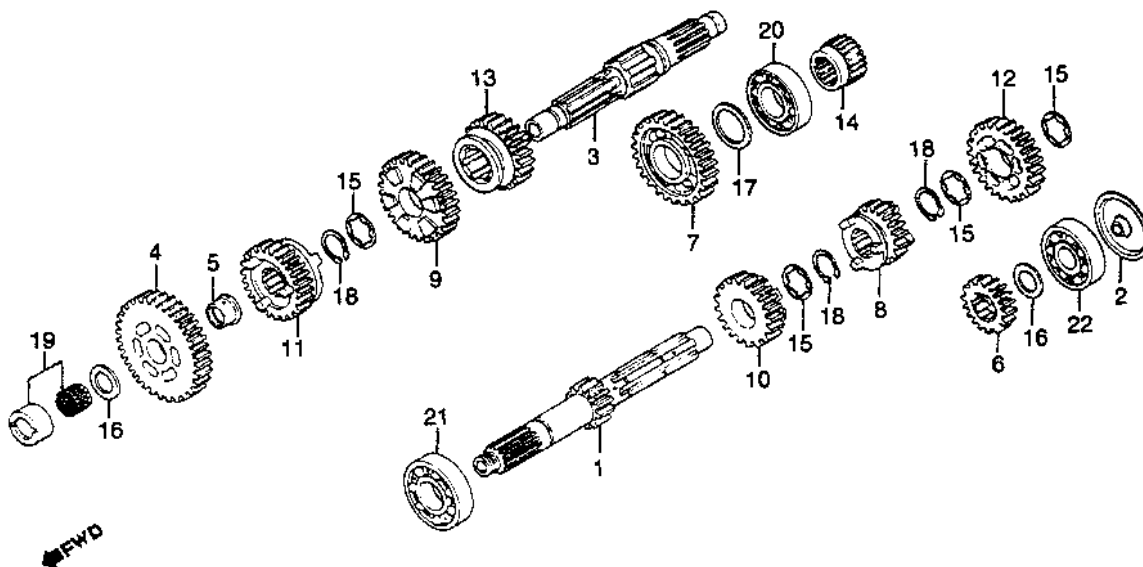
REF#	PART		#REQ
01	PUMP ASSY., OIL	15100-MA1-000	001
02	SPROCKET	15115-415-000	001
03	SPROCKET	15116-415-000	001
04	CHAIN, OIL PUMP	15140-415-003	001
05	BODY, OIL STRAINER	15141-MA1-000	001
06	COLLAR, O-RING	15155-300-000	001
07	VALVE ASSY., RELIEF	15220-415-000	001
08	GEAR (33T)	23121-449-000	001
09	SUB-GEAR (32T)	23122-415-000	001
10	PLATE, SIDE	23123-415-000	001
11	SPRING, DISK	23124-MA1-000	001
12	BOLT, UBS (12X28)	90013-415-000	001
13	WASHER	90486-028-000	001
14	O-RING (13.6X2.4)	91301-268-020	001
15	O-RING (15X2.5)	91302-377-000	001
16	BOLT, HEX. (6X8)	92101-06008-0A	
	(replaces 92000-06008)		
	(replaces 92000-06008-0A)		001
17	PIN, DOWEL (8X14)	94301-08140	001
18	PIN, DOWEL (3X5)	94302-03050	002
19	BOLT, FLANGE (6X14)	95701-06014-00	
	(replaces 95700-06014-00)		002
20	BOLT, FLANGE (6X25)	95701-06025-00	
	(replaces 95700-06025-00)		002
21	BOLT, FLANGE (6X32)	95701-06032-00	
	(replaces 95700-06032-00)		001

Shock Absorber & Rear Suspension



REF#	PART		#REQ
01	VALVE, AIR	51456-469-013	001
02	SHOCK ABSORBER, RR.	52400-MA1-731	
	(replaces	52400-MA1-003)	001
04	CAP, AIR VALVE	52425-169-003	001
05	HOSE, RR. SHOCK	52432-MA1-003	001
06	CIRCLIP (INNER)	52447-MA2-003	001
07	METAL, BUSH	52452-MA1-003	001
08	COLLAR, BUSH	52453-MA1-003	001
09	ARM ASSY., CUSHION	52460-MA1-000	001
10	ROD ASSY.	52470-MA1-010	
	(replaces	52470-MA1-000)	001
11	BUSH	52472-MA0-013	
	(replaces	52472-MA0-003)	002
12	GUIDE, DAMPER CASE	52472-MA2-003	001
13	COLLAR	52473-MA0-020	
	(replaces	52473-MA0-000)	
	(replaces	52473-MA0-010)	002
14	BUSH	52474-MA1-003	004
15	RING, BACK-UP	52474-MA2-003	001
16	COLLAR, CONN ROD	52475-MA1-000	002
17	BUSH, SHOCK ABSORBER	52485-MA2-003	001
18	BOOT, RR. CUSHION	52611-MA1-003	001
20	BOLT, FLANGE (10X65)	90101-KBS-900	
	(replaces	90152-MA1-000)	003
21	BOLT, FLG (10X100)	90108-MR8-000	
	(replaces	90153-MA1-000)	001
22	BOLT, FLANGE (10X95)	90154-KW7-870	
	(replaces	90154-MA1-000)	
	(replaces	90187-MG7-003)	001
23	BOLT D, FLANGE	90189-MA2-003	001
24	NUT, AXLE (10MM)	90304-GA6-003	005
25	CLIP, HOSE	90662-MA1-003	001
26	OIL SEAL (14X22X5)	91203-KK3-830	
	(replaces	91254-MA2-003)	002
27	OIL SEAL	91257-MA2-003	001
28	SEAL, RR.	91262-MA0-015	
	(replaces	91262-MA0-005)	

Transmission



REF#	PART		#REQ
01	MAINSHAFT (15T)	23211-415-010	001
02	PLATE, OIL GUIDE	23219-415-000	001
03	COUNTERSHAFT	23220-415-000	001
04	GEAR (41T)	23421-413-000	001
05	BUSH (20MM)	23422-413-000	001
06	GEAR (20T)	23431-413-000	001
07	GEAR (37T)	23441-413-000	001
08	GEAR (24T)	23451-413-000	001
09	GEAR (34T)	23461-413-000	001
10	GEAR (27T)	23471-415-000	001
11	GEAR (31T)	23481-MA1-000	001
12	GEAR (29T)	23491-415-000	001
13	GEAR (27T)	23501-449-000	
	(replaces	23501-415-000)	001
14	COLLAR, COUNTERSHAFT	23522-415-000	001
15	WASHER (25MM)	90451-413-000	004
16	WASHER (20MM)	90452-413-000	002
17	WASHER (25MM)	90452-415-000	001
18	CIRCLIP (25MM)	90601-300-000	003
19	BEARING (20MM)	91022-415-008	001
20	BEARING (6205)	96100-62050-00	001
20	BEARING (6205)	96100-62050-10	001
21	BEARING (6305)	96100-63051-00	001
22	BEARING (6204U)	96140-62040-00	001

CLICK HERE TO **DOWNLOAD** THE COMPLETE MANUAL

- Thank you very much for reading the preview of the manual.
- You can download the complete manual from: www.heydownloads.com by clicking the link below



- Please note: If there is no response to CLICKING the link, please download this PDF first and then click on it.

CLICK HERE TO **DOWNLOAD** THE COMPLETE MANUAL