

**2000 HONDA 929RR**

**PARTS INFO & DRAWINGS**

CLICK HERE TO **DOWNLOAD** THE COMPLETE MANUAL

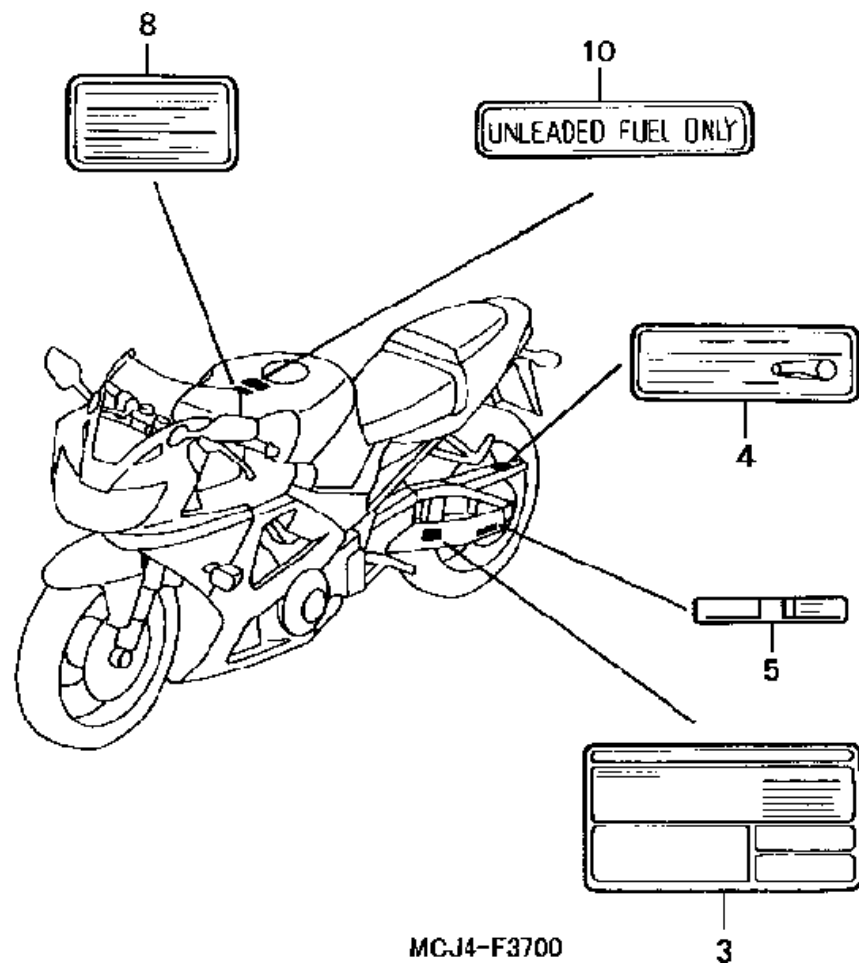
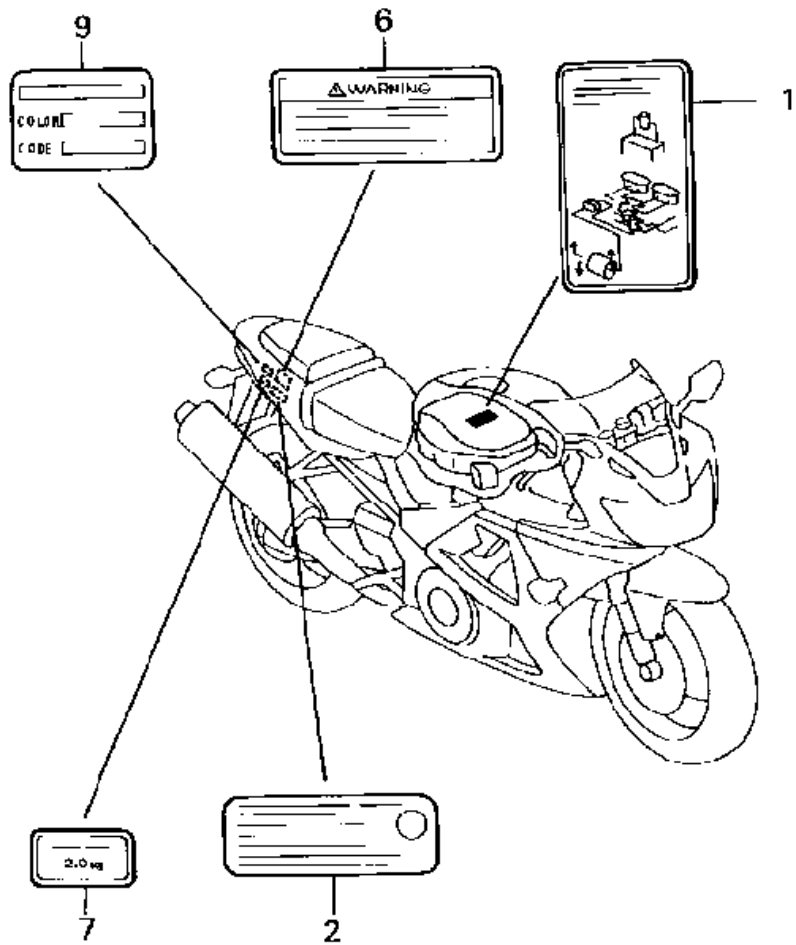
- Thank you very much for reading the preview of the manual.
- You can download the complete manual from: [www.heydownloads.com](http://www.heydownloads.com) by clicking the link below

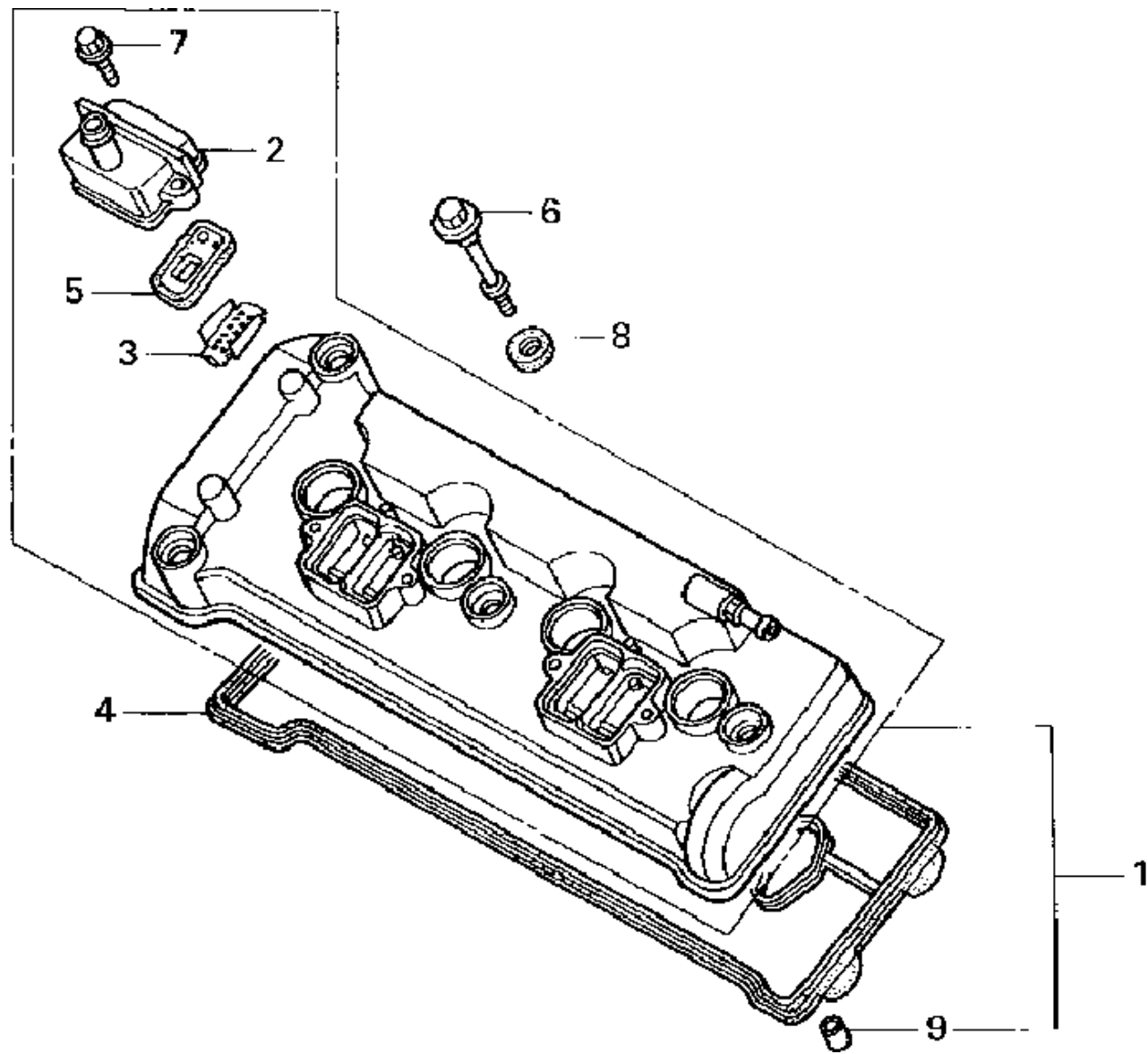


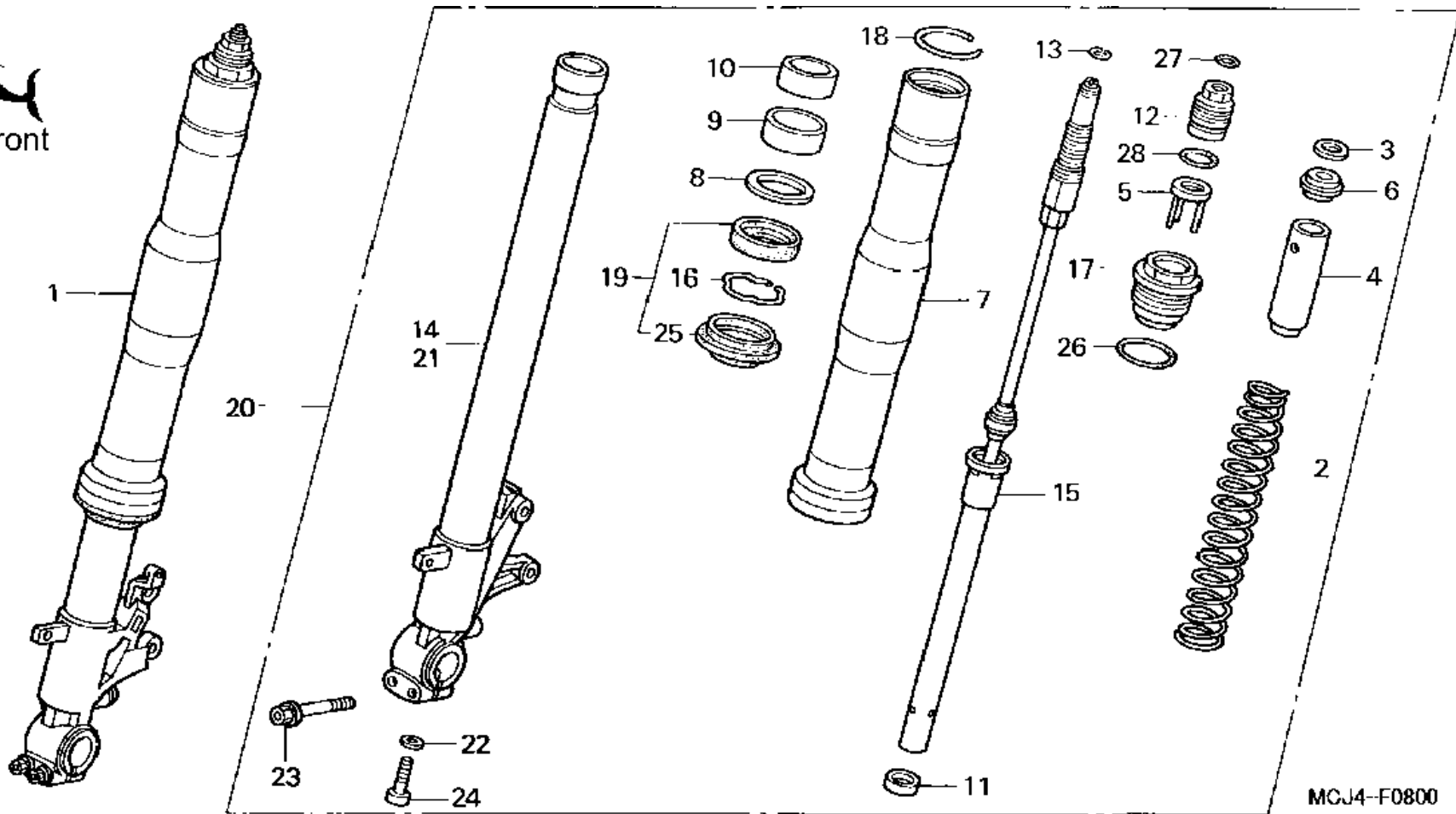
- Please note: If there is no response to CLICKING the link, please download this PDF first and then click on it.

CLICK HERE TO **DOWNLOAD** THE COMPLETE MANUAL









MCJ4-F0800

CLICK HERE TO **DOWNLOAD** THE COMPLETE MANUAL

- Thank you very much for reading the preview of the manual.
- You can download the complete manual from: [www.heydownloads.com](http://www.heydownloads.com) by clicking the link below



- Please note: If there is no response to CLICKING the link, please download this PDF first and then click on it.

CLICK HERE TO **DOWNLOAD** THE COMPLETE MANUAL

## 2000 HONDA CBR929RR

### HANDLEBAR TOP BRIDGE

#### CLICK BELOW FOR MORE INFO

No.	Part No.	Description
<a href="#">1</a>	<a href="#">30433-MBW-600</a>	<a href="#">SEAL</a>
<a href="#">2</a>	<a href="#">35010-MCJ-670</a>	<a href="#">LOCK SET</a>
<a href="#">3</a>	<a href="#">35100-MCJ-671</a>	<a href="#">SWITCH ASSY., COMBIN</a>
<a href="#">4</a>	<a href="#">35101-MCJ-671</a>	<a href="#">BASE COMP., CONTACT</a>
<a href="#">5</a>	<a href="#">35106-MAT-A00</a>	<a href="#">COVER</a>
<a href="#">6</a>	<a href="#">35121-MAS-G01</a>	<a href="#">KEY, BLANK (TYPE1)</a>
<a href="#">7</a>	<a href="#">53100-MCJ-000</a>	<a href="#">HANDLEBAR COMP., R.</a>
<a href="#">8</a>	<a href="#">53104-MV4-000</a>	<a href="#">WEIGHT B, HANDLEBAR</a>
<a href="#">9</a>	<a href="#">53105-MN4-010</a>	<a href="#">WEIGHT, HANDLEBAR</a>
<a href="#">10</a>	<a href="#">53106-MJ0-000</a>	<a href="#">RUBBER</a>
<a href="#">11</a>	<a href="#">53106-MV9-000</a>	<a href="#">RUBBER A</a>
<a href="#">12</a>	<a href="#">53108-MJ0-000</a>	<a href="#">RING</a>
<a href="#">13</a>	<a href="#">53150-MCJ-000</a>	<a href="#">HANDLEBAR COMP., L.</a>
<a href="#">14</a>	<a href="#">53300-MCJ-000</a>	<a href="#">BRIDGE COMP., FORK T</a>
<a href="#">16</a>	<a href="#">90020-MBW-610</a>	<a href="#">SCREW-WASHER (5X22)</a>
<a href="#">17</a>	<a href="#">90107-MBG-000</a>	<a href="#">BOLT, ONE-WAY (8MM)</a>
<a href="#">18</a>	<a href="#">90191-KBG-000</a>	<a href="#">SCREW, OVAL (6X65)</a>
<a href="#">19</a>	<a href="#">90304-MJ4-670</a>	<a href="#">NUT, STEERING STEM</a>
<a href="#">20</a>	<a href="#">91059-KY2-711</a>	<a href="#">SCREW, TAP (3X16)</a>
<a href="#">21</a>	<a href="#">96300-08040-07</a>	<a href="#">BOLT, FLANGE (8X40)</a>

## 2000 HONDA CBR929RR

### PEDAL

#### CLICK BELOW FOR MORE INFO

No.	Part No.	Description
<a href="#">1</a>	<a href="#">24710-MCJ-000</a>	<a href="#">ARM COMP., GEARSHIFT</a>
<a href="#">2</a>	<a href="#">24720-MCJ-000</a>	<a href="#">PEDAL, GEARSHIFT</a>
<a href="#">3</a>	<a href="#">24724-422-000</a>	<a href="#">COVER, DUST</a>
<a href="#">4</a>	<a href="#">24781-KR3-770</a>	<a href="#">RUBBER</a>
<a href="#">5</a>	<a href="#">35350-MCJ-000</a>	<a href="#">SWITCH ASSY., RR. ST</a>
<a href="#">6</a>	<a href="#">35357-MBG-610</a>	<a href="#">SPRING, STOP SWITCH</a>
<a href="#">7</a>	<a href="#">46500-MCJ-000</a>	<a href="#">PEDAL COMP., BRAKE</a>
<a href="#">8</a>	<a href="#">46515-MV9-000</a>	<a href="#">SPRING, BRAKE PEDAL</a>
<a href="#">9</a>	<a href="#">50602-MCJ-000</a>	<a href="#">STAY, STOP SWITCH</a>
<a href="#">10</a>	<a href="#">90010-ML0-720</a>	<a href="#">BOLT, FLANGE (6X20)</a>
<a href="#">11</a>	<a href="#">90065-MCJ-000</a>	<a href="#">BAR, CHANGE</a>
<a href="#">12</a>	<a href="#">90201-700-000</a>	<a href="#">NUT</a>
<a href="#">13</a>	<a href="#">90403-KV3-830</a>	<a href="#">WASHER (17.2MM)</a>
<a href="#">14</a>	<a href="#">90505-MR7-000</a>	<a href="#">WASHER (17.5MM)</a>
<a href="#">15</a>	<a href="#">94001-06020-0S</a>	<a href="#">NUT, HEX. (6MM)</a>
<a href="#">16</a>	<a href="#">95003-43003-10M</a>	<a href="#">BULK HOSE, VINYL</a>
<a href="#">17</a>	<a href="#">96001-06008-00</a>	<a href="#">BOLT, FLANGE (6X8)</a>

## 2000 HONDA CBR929RR - REAR FENDER

### CLICK BELOW FOR MORE INFO

No.	Part No.	Description
<a href="#">1</a>	<a href="#">33720-MAS-A11</a>	<a href="#">LIGHT ASSY., LICENSE</a>
<a href="#">2</a>	<a href="#">33721-MAS-A11</a>	<a href="#">BASE COMP., LICENSE</a>
<a href="#">3</a>	<a href="#">33722-MB1-013</a>	<a href="#">LENS, LICENSE</a>
<a href="#">4</a>	<a href="#">33727-ME4-671</a>	<a href="#">COVER, LICENSE LIGHT</a>
<a href="#">5</a>	<a href="#">33729-MB1-003</a>	<a href="#">GASKET, LENS</a>
<a href="#">6</a>	<a href="#">33741-MS6-921</a>	<a href="#">REFLECTOR, REFLEX</a>
<a href="#">7</a>	<a href="#">34616-568-671</a>	<a href="#">BULB (12V 8W)</a>
<a href="#">9</a>	<a href="#">50290-MZ7-000</a>	<a href="#">BAND, U-LOCK</a>
<a href="#">10</a>	<a href="#">61103-357-000</a>	<a href="#">RUBBER, FR.</a>
<a href="#">11</a>	<a href="#">80102-MCJ-000</a>	<a href="#">COLLAR, RR. FENDER</a>
<a href="#">12</a>	<a href="#">80105-MCJ-671</a>	<a href="#">FENDER COMP., RR.</a>
<a href="#">13</a>	<a href="#">80110-MCJ-000</a>	<a href="#">COVER, ELECTRIC CONT</a>
<a href="#">14</a>	<a href="#">80114-MCJ-670</a>	<a href="#">COLLAR, RR. FENDER</a>
<a href="#">15</a>	<a href="#">84701-ML7-670</a>	<a href="#">BRKT, NUMBER PLATE</a>
<a href="#">16</a>	<a href="#">84710-MCJ-670</a>	<a href="#">SPACER, LICENSE PLAT</a>
<a href="#">17</a>	<a href="#">90302-MB2-000</a>	<a href="#">NUT, SPECIAL (4MM)</a>
<a href="#">18</a>	<a href="#">94050-05070</a>	<a href="#">NUT, FLANGE (5MM)</a>
<a href="#">19</a>	<a href="#">94050-06000</a>	<a href="#">NUT, FLANGE (6MM)</a>
<a href="#">20</a>	<a href="#">94103-06000</a>	<a href="#">WASHER, PLAIN (6MM)</a>
<a href="#">21</a>	<a href="#">96001-06025-00</a>	<a href="#">BOLT, FLANGE (6X25)</a>
<a href="#">23</a>	<a href="#">90502-VA4-640</a>	<a href="#">WASHER (6X20)</a>
<a href="#">24</a>	<a href="#">95701-06040-07</a>	<a href="#">BOLT, FLANGE (6X40)</a>
<a href="#">25</a>	<a href="#">96300-06016-00</a>	<a href="#">BOLT, FLANGE (6X16)</a>

## 2000 HONDA CBR929RR

### SERVO MOTOR

#### CLICK BELOW FOR MORE INFO

No.	Part No.	Description
<a href="#">1</a>	<a href="#">17970-MCJ-000</a>	<a href="#">CABLE COMP., AIR VAL</a>
<a href="#">2</a>	<a href="#">18532-634-670</a>	<a href="#">CLIP (21.5)</a>
<a href="#">3</a>	<a href="#">18910-MCJ-000</a>	<a href="#">CABLE COMP. A, EX. V</a>
<a href="#">4</a>	<a href="#">18920-MCJ-000</a>	<a href="#">CABLE COMP. B, EX. V</a>
<a href="#">5</a>	<a href="#">31420-MCJ-640</a>	<a href="#">MOTOR ASSY., SERVO</a>
<a href="#">6</a>	<a href="#">31425-KAE-004</a>	<a href="#">CAP</a>
<a href="#">7</a>	<a href="#">50324-425-010</a>	<a href="#">COLLAR (6.3X13)</a>
<a href="#">8</a>	<a href="#">77205-KM4-000</a>	<a href="#">GROMMET</a>
<a href="#">9</a>	<a href="#">90001-GHB-660</a>	<a href="#">BOLT, FLANGE (6X22)</a>
<a href="#">10</a>	<a href="#">91404-750-800</a>	<a href="#">CLIP, DOUBLE</a>

## 2000 HONDA CBR929RR

### STEERING STEM

**CLICK BELOW FOR MORE INFO**

No.	Part No.	Description
<a href="#">1</a>	<a href="#">38110-MAS-E00</a>	<a href="#">HORN COMP. (HIGH)</a>
<a href="#">1</a>	<a href="#">38110-MAS-E11</a>	<a href="#">HORN COMP. (HIGH)</a>
<a href="#">2</a>	<a href="#">38111-MAS-E00</a>	<a href="#">WASHER, HORN</a>
<a href="#">3</a>	<a href="#">53214-KA4-701</a>	<a href="#">DUST SEAL</a>
<a href="#">4</a>	<a href="#">53214-371-010</a>	<a href="#">DUST SEAL</a>
<a href="#">5</a>	<a href="#">53219-MCJ-000</a>	<a href="#">STEM SUB-ASSY.</a>
<a href="#">6</a>	<a href="#">53220-MW0-000</a>	<a href="#">THREAD COMP.</a>
<a href="#">7</a>	<a href="#">90302-425-830</a>	<a href="#">THREAD</a>
<a href="#">8</a>	<a href="#">90506-425-830</a>	<a href="#">WASHER, LOCK</a>
<a href="#">9</a>	<a href="#">91015-KT8-005</a>	<a href="#">BEARING, HEAD PIPE</a>
<a href="#">10</a>	<a href="#">91016-KT8-005</a>	<a href="#">BEARING, HEAD PIPE</a>
<a href="#">11</a>	<a href="#">96300-08012-07</a>	<a href="#">BOLT, FLANGE (8X12)</a>
<a href="#">12</a>	<a href="#">96400-08045-00</a>	<a href="#">BOLT, FLANGE (8X45)</a>

## 2000 HONDA CBR929RR

### THERMOSTAT

#### CLICK BELOW FOR MORE INFO

No.	Part No.	Description
<a href="#">1</a>	<a href="#">19060-MCJ-000</a>	<a href="#">JOINT, WATER</a>
<a href="#">2</a>	<a href="#">19300-MCJ-000</a>	<a href="#">THERMOSTAT ASSY.</a>
<a href="#">3</a>	<a href="#">19305-KV3-010</a>	<a href="#">RUBBER, THERMOSTAT</a>
<a href="#">5</a>	<a href="#">19312-MBW-000</a>	<a href="#">GASKET</a>
<a href="#">6</a>	<a href="#">19315-MCJ-000</a>	<a href="#">COVER, THERMOSTAT</a>
<a href="#">7</a>	<a href="#">19504-KY1-003</a>	<a href="#">CLAMP (25MM)</a>
<a href="#">8</a>	<a href="#">19507-MAT-000</a>	<a href="#">CLAMP, RADIATOR HOSE</a>
<a href="#">9</a>	<a href="#">19516-ML7-691</a>	<a href="#">CLAMP (24-32MM)</a>
<a href="#">10</a>	<a href="#">19523-MCJ-000</a>	<a href="#">HOSE, BYPASS</a>
<a href="#">11</a>	<a href="#">19525-MCJ-000</a>	<a href="#">HOSE A, WATER</a>
<a href="#">12</a>	<a href="#">19527-MCJ-000</a>	<a href="#">HOSE C, WATER</a>
<a href="#">13</a>	<a href="#">19528-MCJ-000</a>	<a href="#">HOSE D, WATER</a>
<a href="#">14</a>	<a href="#">37870-MBG-003</a>	<a href="#">SENSOR, WATER TEMP</a>
<a href="#">15</a>	<a href="#">90018-ZE1-000</a>	<a href="#">BOLT (6X23) (CT200)</a>
<a href="#">16</a>	<a href="#">90454-MC7-000</a>	<a href="#">WASHER (12MM)</a>
<a href="#">17</a>	<a href="#">91356-425-003</a>	<a href="#">O-RING (30MM)</a>
<a href="#">17</a>	<a href="#">91356-425-005</a>	<a href="#">O-RING (29.7X2.4)</a>
<a href="#">18</a>	<a href="#">95701-06025-00</a>	<a href="#">BOLT, FLANGE (6X25)</a>
<a href="#">19</a>	<a href="#">95701-06035-00</a>	<a href="#">BOLT, FLANGE (6X35)</a>

CLICK HERE TO **DOWNLOAD** THE COMPLETE MANUAL

- Thank you very much for reading the preview of the manual.
- You can download the complete manual from: [www.heydownloads.com](http://www.heydownloads.com) by clicking the link below



- Please note: If there is no response to CLICKING the link, please download this PDF first and then click on it.

CLICK HERE TO **DOWNLOAD** THE COMPLETE MANUAL